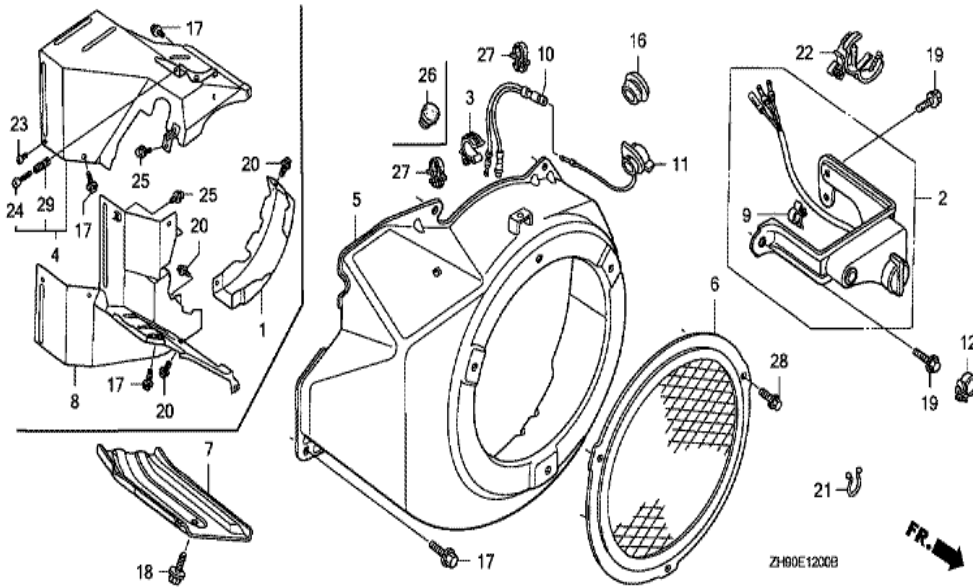




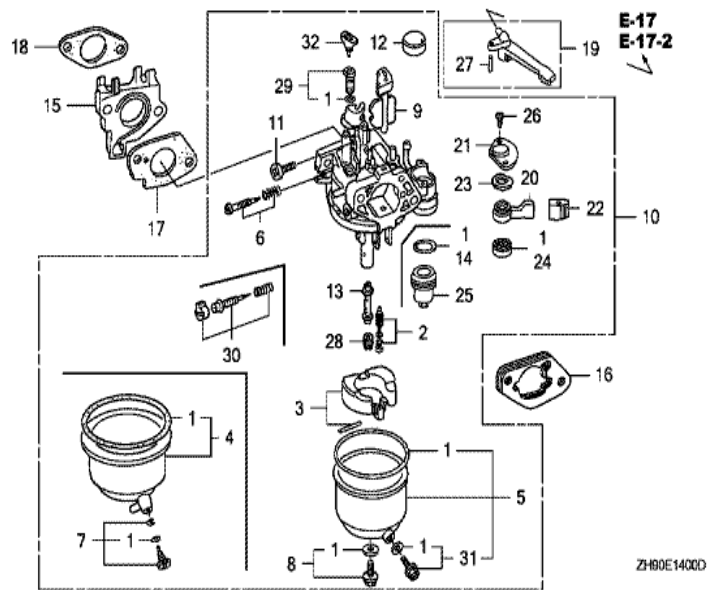
ZH90-E11008



| <u>Ref</u> | <u>Partnumber</u> | <u>Description</u> | <u>GX270</u> | <u>Serial Numbers</u> |
|------------|-------------------|------------------------------------|--------------|-----------------------|
| 001 | 28400-ZE2-W01ZA | STARTER ASSY., RECOIL *R8 * | 1 | 2080023 |
| 001 | 28400-ZE2-W01ZB | STARTER ASSY., RECOIL *NH1 * | 1 | |
| 001 | 28400-ZE2-W01ZN | STARTER ASSY., RECOIL *R280 * | 1 | 2080024 |
| 002 | 28410-ZE2-W01ZA | CASE COMP., RECOIL STARTER *R8 * | 1 | 2080023 |
| 002 | 28410-ZE2-W01ZB | CASE COMP., RECOIL STARTER *NH1 * | 1 | |
| 002 | 28410-ZE2-W01ZN | CASE COMP., RECOIL STARTER *R280 * | 1 | 2080024 |
| 003 | 28421-ZE2-W01 | PULLEY, RECOIL STARTER | 1 | |
| 004 | 28422-ZE2-W01 | RATCHET, STARTER | 2 | |
| 005 | 28441-ZE2-W01 | SPRING, FRICTION | 1 | |
| 006 | 28442-ZE2-W01 | SPRING, STARTER RETURN | 1 | |
| 007 | 28443-ZE2-W01 | SPRING, RATCHET | 2 | |
| 008 | 28444-ZE2-W01 | RETAINER, SPRING | 1 | |
| 010 | 28461-ZE2-W02 | GRIP, STARTER | 1 | |
| <u>Ref</u> | <u>Partnumber</u> | <u>Description</u> | <u>GX270</u> | <u>Serial Numbers</u> |
| 011 | 28462-ZE2-W11 | ROPE, RECOIL STARTER | 1 | |
| 013 | 90004-ZE2-W01 | SCREW, CENTER | 1 | |
| 014 | 90008-ZE2-003 | BOLT, FLANGE, 6X10 | 3 | |



| Ref | Partnumber | Description | GX270 | Serial Numbers |
|-----|-----------------|----------------------------|-------|----------------|
| 003 | 16731-ZE2-003 | CLIP, TUBE | 1 | |
| 005 | 19610-ZE2-010ZA | COVER COMP., FAN *R8 * | 1 | 2080023 |
| 005 | 19610-ZE2-010ZL | COVER COMP., FAN *R280 * | 1 | 2080024 |
| 007 | 19631-ZE2-D00 | SHROUD | 1 | |
| 011 | 36100-ZH7-003 | SWITCH ASSY., ENGINE STOP | 1 | |
| 018 | 90013-883-000 | BOLT, FLANGE, 6X12 (CT200) | 1 | |
| 022 | 90684-ZA0-601 | CLIP, HARNESS | 1 | |

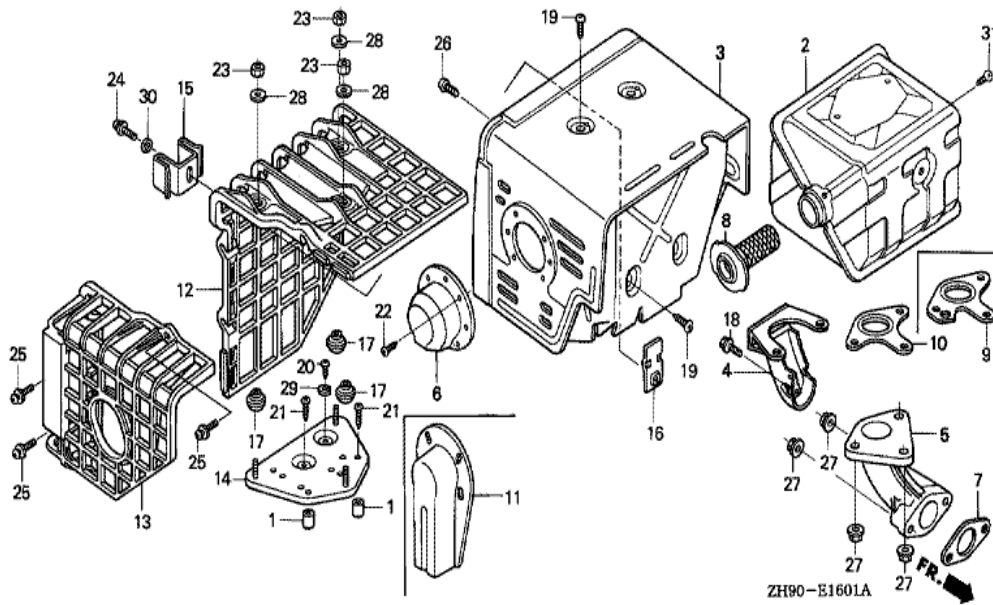


| <u>Ref</u> | <u>Partnumber</u> | <u>Description</u> | <u>GX270</u> | <u>Serial Numbers</u> |
|------------|-------------------|------------------------------|--------------|-----------------------|
| 001 | 16010-ZE2-812 | GASKET SET | 1 | BE75B B |
| 002 | 16011-ZA0-931 | VALVE SET, FLOAT | 1 | |
| 003 | 16013-ZA0-931 | FLOAT SET | 1 | |
| 005 | 16015-ZE8-005 | CHAMBER SET, FLOAT | 1 | |
| 008 | 16028-ZE0-005 | SCREW SET | 1 | |
| 009 | 16044-ZE2-005 | CHOKE SET | 1 | |
| 010 | 16100-ZH9-W21 | CARBURETOR ASSY. (BE75B B/C) | 1 | |
| 011 | 16124-ZE0-005 | SCREW, THROTTLE STOP | 1 | |
| 013 | 16166-ZH9-W20 | NOZZLE, MAIN | 1 | BE75B B |
| 014 | 16173-001-004 | PACKING, FUEL STRAINER CUP | 1 | |
| 015 | 16211-ZE2-000 | INSULATOR, CARBURETOR | 1 | |
| 016 | 16220-ZA0-702 | SPACER COMP., CARBURETOR | 1 | |
| 017 | 16221-ZA0-800 | PACKING, CARBURETOR | 1 | |
| <u>Ref</u> | <u>Partnumber</u> | <u>Description</u> | <u>GX270</u> | <u>Serial Numbers</u> |
| 018 | 16223-ZA0-800 | PACKING, INSULATOR | 1 | |
| 019 | 16610-ZE1-000 | LEVER COMP., CHOKE (STD.) | 1 | |
| 020 | 16953-ZE1-812 | LEVER, COCK | 1 | |
| 021 | 16954-ZE1-812 | PLATE, LEVER SETTING | 1 | |
| 023 | 16956-ZE1-811 | SPRING, COCK LEVER | 1 | |
| 024 | 16957-ZE1-812 | PACKING, FUEL COCK | 1 | |
| 025 | 16967-ZE0-811 | CUP, FUEL STRAINER | 1 | |
| 026 | 93500-030061H | SCREW, PAN, 3X6 | 2 | |
| 027 | 94305-20122 | PIN, SPRING, 2X12 | 1 | |
| 028 | 99101-ZH80800 | JET, MAIN, #80 | (1) | BE75B B |
| 028 | 99101-ZH80820 | JET, MAIN, #82 | (1) | BE75B B |
| 028 | 99101-ZH80850 | JET, MAIN, #85 | 1 | BE75B B |
| 029 | 99204-ZE20400 | JET SET, PILOT, #40 | 1 | BE75B B |
| 030 | 16016-ZH7-W01 | SCREW SET, PILOT | 1 | |
| 031 | 16024-ZE1-811 | SCREW SET, DRAIN | 1 | |
| 032 | 16172-ZE3-W10 | COLLAR, SETTING | 1 | |



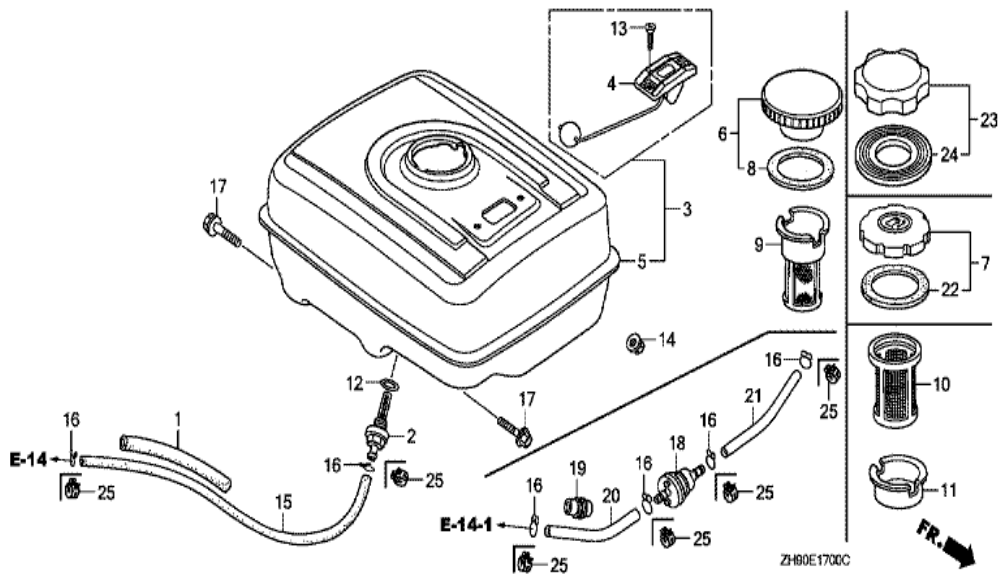
ZH90-E1502A

| Ref | Partnumber | Description | GX270 | Serial Numbers |
|-----|---------------|-----------------------------|-------|----------------|
| 001 | 16271-ZE2-010 | PACKING, ELBOW | 1 | |
| 002 | 17210-ZE2-822 | ELEMENT, AIR CLEANER (DUAL) | 1 | |
| 003 | 17218-ZE2-821 | FILTER, OUTER | 1 | |
| 005 | 17231-ZH9-820 | COVER, AIR CLEANER | 1 | |
| 006 | 17232-891-000 | GROMMET, AIR CLEANER | 1 | |
| 007 | 17238-ZE2-310 | COLLAR, AIR CLEANER | 2 | |
| 008 | 17239-ZE1-000 | COLLAR B, AIR CLEANER | 1 | |
| 009 | 17410-ZE2-020 | ELBOW COMP., AIR CLEANER | 1 | |
| 012 | 90325-044-000 | NUT, TOOL BOX SETTING | 2 | |
| 013 | 90009-ZE2-003 | BOLT-WASHER, 6X22 | 1 | |
| 014 | 94050-06000 | NUT, FLANGE, 6MM | 2 | |
| 015 | 17235-ZE2-820 | NOSE, SILENCER | 1 | |

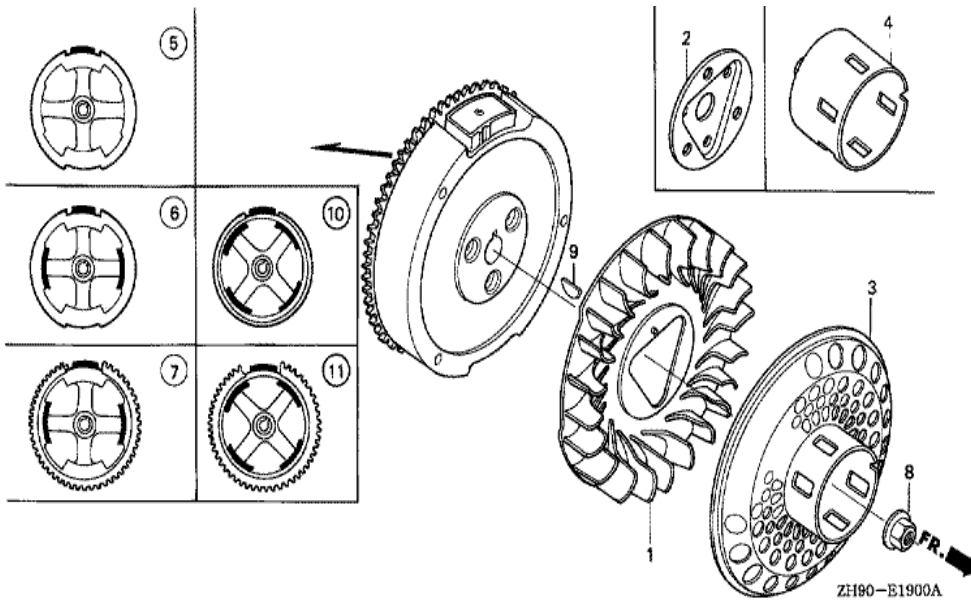


ZH90-E1601A

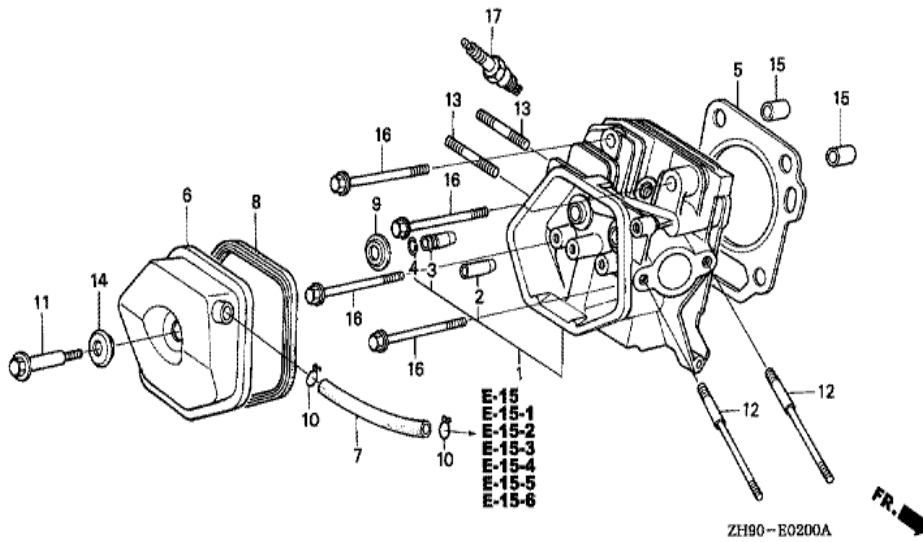
| Ref | Partnumber | Description | GX270 | Serial Numbers |
|-----|---------------|-----------------------------------|-------|----------------|
| 002 | 18310-ZE2-W61 | MUFFLER COMP. (100DB) | 1 | |
| 003 | 18320-ZE2-W61 | PROTECTOR COMP., MUFFLER | 1 | |
| 005 | 18330-ZH9-N00 | PIPE, EX. | 1 | |
| 007 | 18333-ZF6-W01 | GASKET, EX. PIPE | 1 | |
| 010 | 18381-ZE2-800 | GASKET, MUFFLER (NIPPON LEAKLESS) | 1 | |
| 019 | 90050-ZE1-000 | SCREW, TAPPING, 5X8 | 4 | |
| 026 | 90006-ZE2-000 | SCREW, TAPPING, 6X10 | 1 | |
| 027 | 94050-08000 | NUT, FLANGE, 8MM | 5 | |



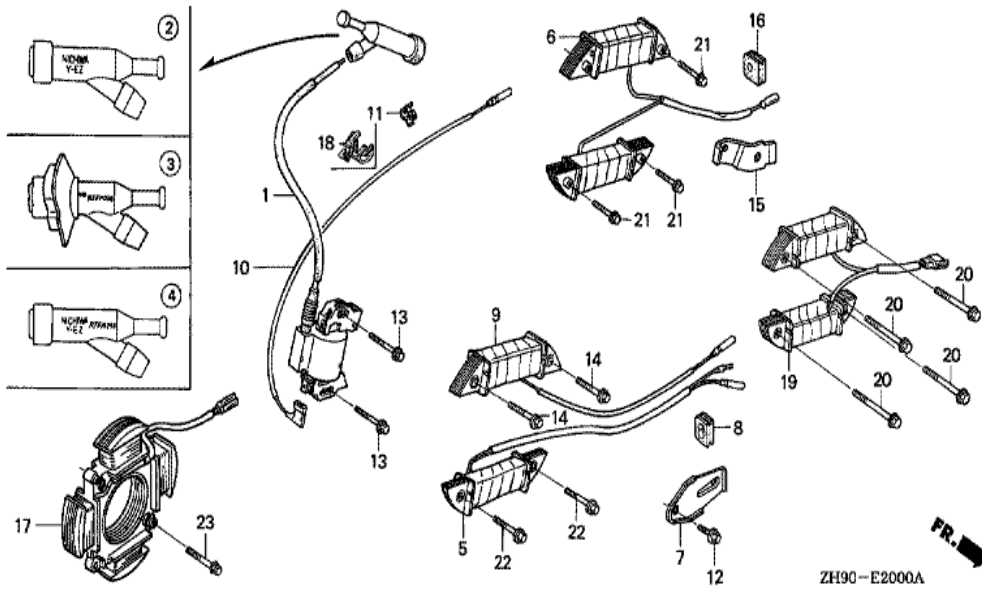
| Ref | Partnumber | Description | GX270 | Serial Numbers |
|-----|-----------------|---|-------|-----------------|
| 001 | 16854-ZH8-000 | RUBBER, SUPPORTER (107MM) | 1 | |
| 002 | 16955-ZE1-000 | JOINT, FUEL TANK | 1 | |
| 005 | 17510-ZE2-010ZA | TANK COMP., FUEL *NH31 * | 1 | 2205579 |
| 005 | 17510-ZE2-010ZD | TANK COMP., FUEL *NH1 * | 1 | 2205579 |
| 005 | 17510-ZE2-020ZA | TANK COMP., FUEL *NH31 * | 1 | 2205580 2400587 |
| 005 | 17510-ZE2-020ZD | TANK COMP., FUEL *NH1 * | 1 | 2205580 2400587 |
| 005 | 17510-ZE2-800ZA | TANK COMP., FUEL *NH1 * | 1 | 2400588 |
| 005 | 17510-ZE2-800ZC | TANK COMP., FUEL *NH31 * | 1 | 2400588 |
| 007 | 17620-ZH7-023 | CAP COMP., FUEL FILLER (BLACK) | 1 | 2118570 |
| 012 | 91353-671-004 | O-RING, 14MM (NOK) | 1 | |
| 014 | 94050-08000 | NUT, FLANGE, 8MM | 2 | |
| 015 | 95001-4522240 | TUBE, FUEL, 4.5X222 (95001-45001-60M) | 1 | |
| 016 | 95002-02080 | CLIP, TUBE (B8) | 2 | |
| Ref | Partnumber | Description | GX270 | Serial Numbers |
| 017 | 95701-0802500 | BOLT, FLANGE, 8X25 | 2 | |
| 022 | 17631-ZH7-003 | PACKING, FUEL FILLER CAP (39X58X3) | 1 | 2118570 |
| 023 | 17620-Z0T-305 | CAP COMP., FUEL FILLER (CHROME PLATED) | 1 | 2118571 |
| 024 | 17631-Z0T-812 | PACKING, FUEL FILLER CAP (39X62X3) (TOUY) | 1 | 2118571 |



| Ref | Partnumber | Description | GX270 | Serial Numbers |
|-----|---------------|-------------------------------------|-------|----------------|
| 001 | 19511-ZE2-000 | FAN, COOLING | 1 | |
| 003 | 28450-ZE2-W11 | PULLEY COMP., STARTER (SCREEN GRID) | 1 | |
| 005 | 31100-ZE2-010 | FLYWHEEL COMP. | 1 | |
| 008 | 90201-ZE3-V00 | NUT, SPECIAL, 16MM | 1 | |
| 009 | 90741-ZE2-000 | KEY, SPECIAL WOODRUFF, 25X18 | 1 | |

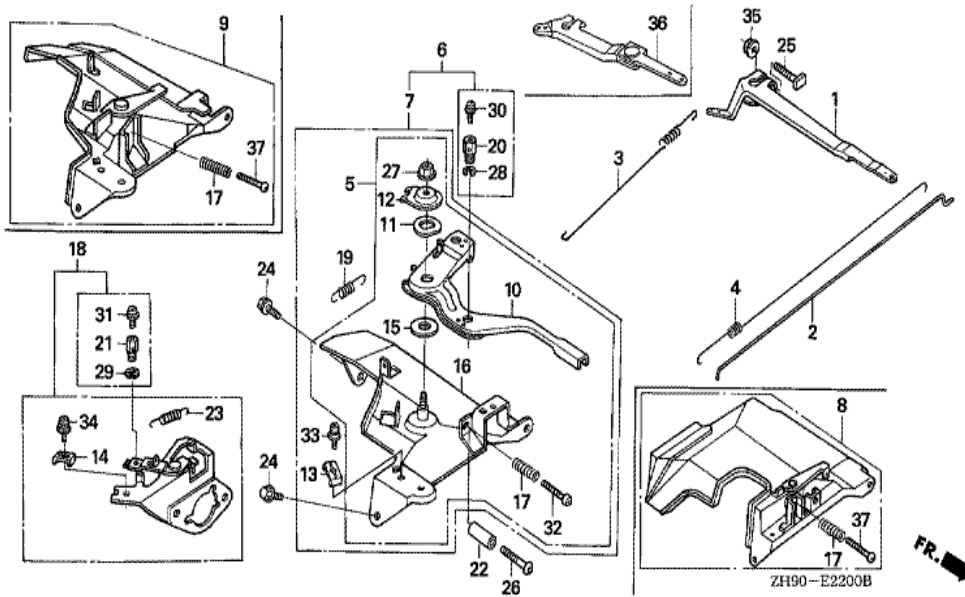


| Ref | Partnumber | Description | GX270 | Serial Numbers |
|-----|---------------|--------------------------------|-------|----------------|
| 001 | 12200-ZH9-405 | HEAD COMP., CYLINDER | 1 | |
| 002 | 12204-ZE2-306 | GUIDE, IN. VALVE (O.S.) | (1) | |
| 003 | 12205-ZE2-305 | GUIDE, EX. VALVE (OS) | (1) | |
| 004 | 12216-ZE2-300 | CLIP, VALVE GUIDE | 1 | |
| 005 | 12251-ZH9-000 | GASKET, CYLINDER HEAD | 1 | |
| 006 | 12310-ZE2-020 | COVER COMP., HEAD | 1 | |
| 007 | 95005-1110030 | TUBE, 11X100 (95005-11001-30M) | 1 | |
| 008 | 12391-ZE2-020 | PACKING, HEAD COVER | 1 | |
| 009 | 14775-ZE2-010 | SEAT, VALVE SPRING | 1 | |
| 011 | 90014-ZE2-000 | BOLT, HEAD COVER | 1 | |
| 012 | 90042-ZE2-000 | BOLT, STUD, 8X123 | 2 | |
| 013 | 92900-080320E | BOLT, STUD, 8X32 | 2 | |
| 014 | 90441-ZE2-010 | WASHER COMP., HEAD COVER | 1 | |
| Ref | Partnumber | Description | GX270 | Serial Numbers |
| 015 | 94301-12200 | DOWEL PIN, 12X20 | 2 | |
| 016 | 95725-1008000 | BOLT, FLANGE, 10X80 | 4 | |
| 017 | 98079-55846 | PLUG, SPARK (BPR5ES) (NGK) | (1) | |
| 017 | 98079-55855 | PLUG, SPARK (W16EPR-U) (DENSO) | (1) | |
| 017 | 98079-56846 | PLUG, SPARK (BPR6ES) (NGK) | 1 | |
| 017 | 98079-56855 | PLUG, SPARK (W20EPR-U) (DENSO) | 1 | |



ZH90-E2000A

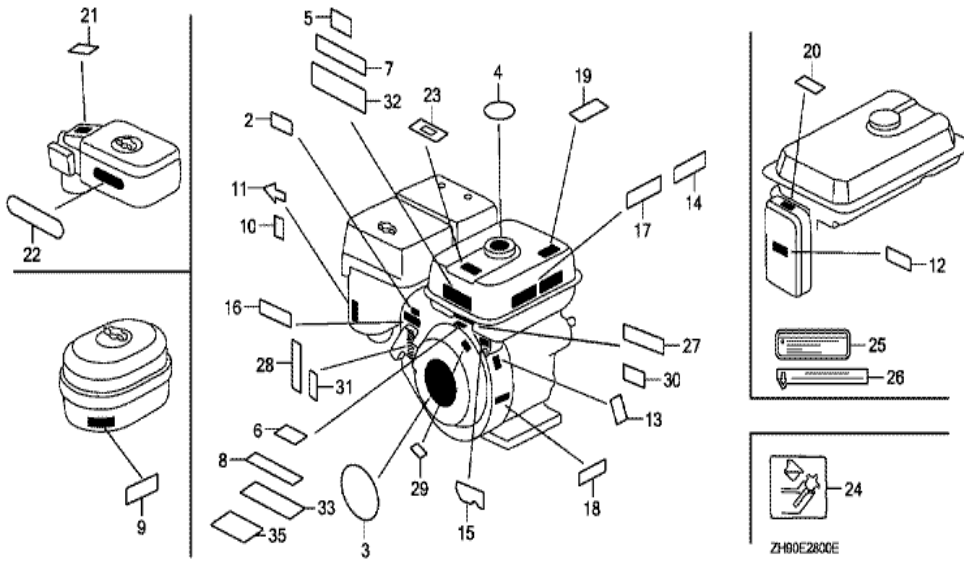
| Ref | Partnumber | Description | GX270 | Serial Numbers |
|-----|---------------|---|-------|----------------|
| 001 | 30500-ZF6-W02 | COIL ASSY., IGNITION | 1 | |
| 004 | 30700-ZE1-013 | CAP ASSY., NOISE SUPPRESSOR (NICHIA Y-E | 1 | |
| 008 | 31512-ZE2-000 | GROMMET, CORD | 1 | |
| 010 | 36101-ZE1-010 | CORD, STOP SWITCH (370MM) | 1 | |
| 013 | 90015-883-000 | BOLT, FLANGE, 6X28 (CT200) | 2 | |



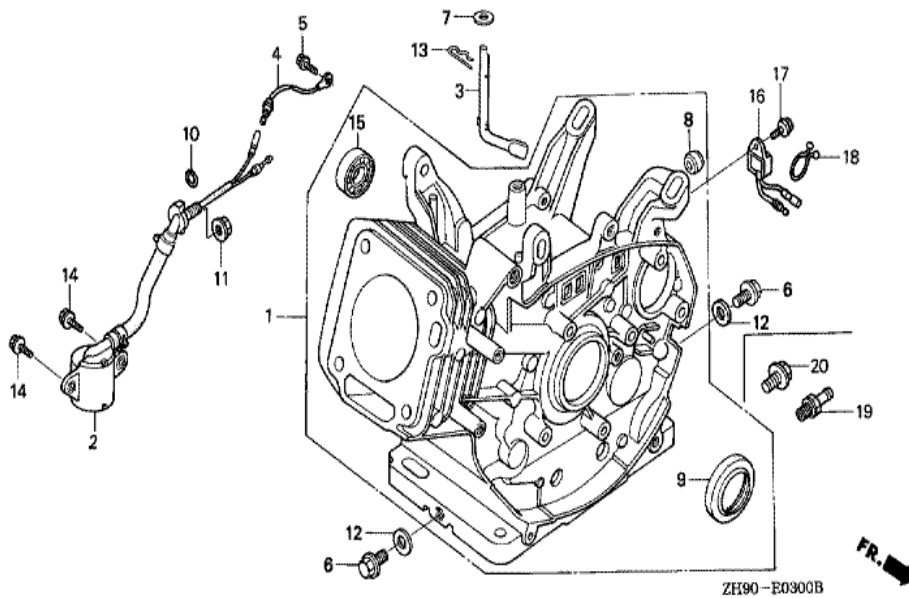
FR. →

ZH90-E2200B

| Ref | Partnumber | Description | GX270 | Serial Numbers |
|-----|---------------|--|-------|----------------|
| 001 | 16551-ZE2-000 | ARM, GOVERNOR | 1 | |
| 002 | 16555-ZE2-000 | ROD, GOVERNOR | 1 | |
| 003 | 16561-ZE2-000 | SPRING, GOVERNOR (L=145.0MM) (WIRE DIAME | 1 | |
| 004 | 16562-ZE2-000 | SPRING, THROTTLE RETURN | 1 | |
| 005 | 16570-ZE2-W00 | CONTROL ASSY. | 1 | |
| 010 | 16571-ZE2-W00 | LEVER, CONTROL | 1 | |
| 011 | 16574-ZE1-000 | SPRING, LEVER | 1 | |
| 012 | 16575-ZE2-W00 | WASHER, CONTROL LEVER | 1 | |
| 015 | 16578-ZE1-000 | SPACER, CONTROL LEVER | 1 | |
| 016 | 16581-ZE2-W00 | BASE COMP., CONTROL (###) | 1 | |
| 017 | 16584-883-300 | SPRING, CONTROL ADJUSTING | 1 | |
| 024 | 90013-883-000 | BOLT, FLANGE, 6X12 (CT200) | 2 | |
| 025 | 90015-ZE5-010 | BOLT, GOVERNOR ARM | 1 | |
| Ref | Partnumber | Description | GX270 | Serial Numbers |
| 027 | 90114-SA0-000 | NUT, SELF-LOCK, 6MM | 1 | |
| 032 | 93500-050280A | SCREW, PAN, 5X28 | 1 | |
| 035 | 94050-06000 | NUT, FLANGE, 6MM | 1 | |



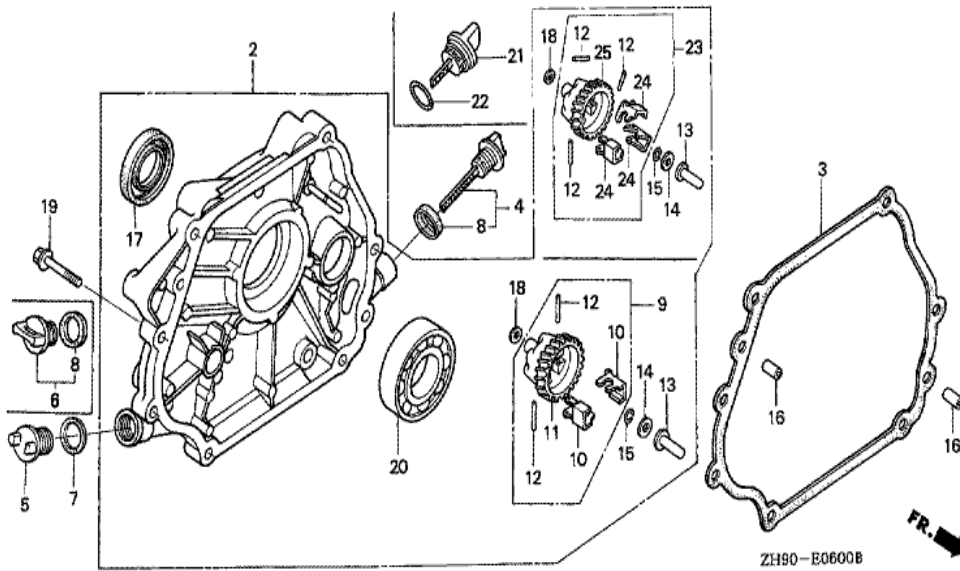
| Ref | Partnumber | Description | GX270 | Serial Numbers |
|-----|---------------|--------------------------------|-------|----------------|
| 003 | 87521-ZH9-020 | EMBLEM (GX270 9.0) | 1 | 2082940 |
| 003 | 87521-ZH9-030 | EMBLEM (GX270 9.0) | 1 | 2082941 |
| 007 | 87522-ZH9-010 | LABEL, CAUTION (ENGLISH, ETC.) | 1 | |
| 010 | 87528-ZE2-810 | MARK, CHOKE (ORANGE) | 1 | |
| 017 | 87532-ZH8-810 | MARK, OIL ALERT (ENGLISH) | 1 | |
| 030 | 87135-ZE2-020 | LABEL, E-SPEC (15.5X27.5) | 1 | 2406429 |



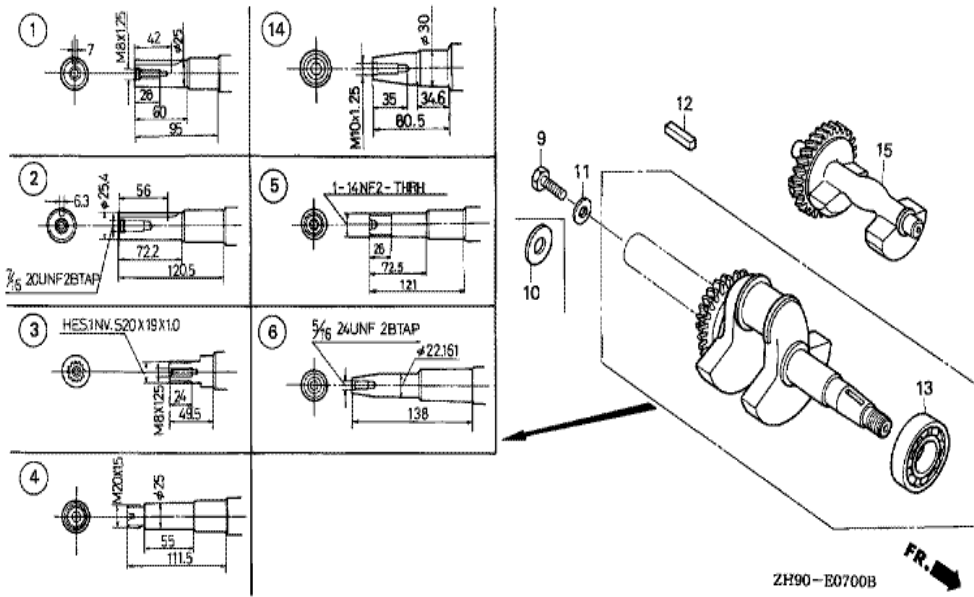
ZH90-E0300B

FR. →

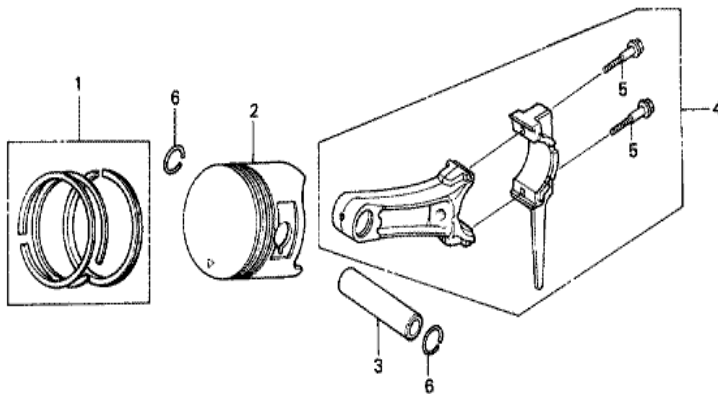
| Ref | Partnumber | Description | GX270 | Serial Numbers |
|-----|---------------|--------------------------------|-------|----------------|
| 001 | 12000-ZH9-406 | BARREL ASSY., CYLINDER (ALERT) | 1 | |
| 002 | 15510-ZE2-043 | SWITCH ASSY., OIL LEVEL | 1 | |
| 003 | 16541-ZE2-010 | SHAFT, GOVERNOR ARM | 1 | |
| 006 | 90131-883-000 | BOLT, DRAIN PLUG, 12X15 | 2 | |
| 007 | 90446-KE1-000 | WASHER, 8.2X17X0.8 | 1 | |
| 009 | 91201-890-003 | OIL SEAL, 30X46X8 | 1 | |
| 010 | 91353-671-004 | O-RING, 14MM (NOK) | 1 | |
| 011 | 94050-10000 | NUT, FLANGE, 10MM | 1 | |
| 012 | 94109-12000 | WASHER, DRAIN PLUG, 12MM | 2 | |
| 013 | 94251-10000 | PIN, LOCK, 10MM | 1 | |
| 014 | 95701-0601200 | BOLT, FLANGE, 6X12 | 2 | |
| 016 | 34150-ZH7-003 | ALERT UNIT, OIL | 1 | |
| 017 | 90013-883-000 | BOLT, FLANGE, 6X12 (CT200) | 1 | |



| Ref | Partnumber | Description | GX270 | Serial Numbers |
|-----|---------------|----------------------------|-------|----------------|
| 002 | 11300-ZE2-602 | COVER ASSY., CRANKCASE | 1 | |
| 003 | 11381-ZE2-801 | PACKING, CASE COVER | 1 | |
| 004 | 15600-735-003 | CAP ASSY., OIL FILLER | 1 | |
| 006 | 15600-ZG4-003 | CAP ASSY., OIL FILLER | 1 | |
| 008 | 15625-ZE1-003 | PACKING, OIL FILLER CAP | 2 | |
| 009 | 16510-ZE2-000 | GOVERNOR ASSY. | 1 | |
| 010 | 16511-ZE2-000 | WEIGHT, GOVERNOR | 2 | |
| 011 | 16512-ZE2-000 | HOLDER, GOVERNOR WEIGHT | 1 | |
| 012 | 16513-ZE2-000 | PIN, GOVERNOR WEIGHT | 2 | |
| 013 | 16531-Z0A-000 | SLIDER, GOVERNOR | 1 | |
| 015 | 90602-ZE1-000 | CLIP, GOVERNOR HOLDER | 1 | |
| 016 | 90701-HC4-000 | DOWEL PIN, 8X12 | 2 | |
| 017 | 91201-890-003 | OIL SEAL, 30X46X8 | 1 | |
| Ref | Partnumber | Description | GX270 | Serial Numbers |
| 018 | 94101-06800 | WASHER, PLAIN, 6MM | 1 | |
| 019 | 95701-0803500 | BOLT, FLANGE, 8X35 | 7 | |
| 020 | 96100-6206000 | BEARING, RADIAL BALL, 6206 | 1 | |



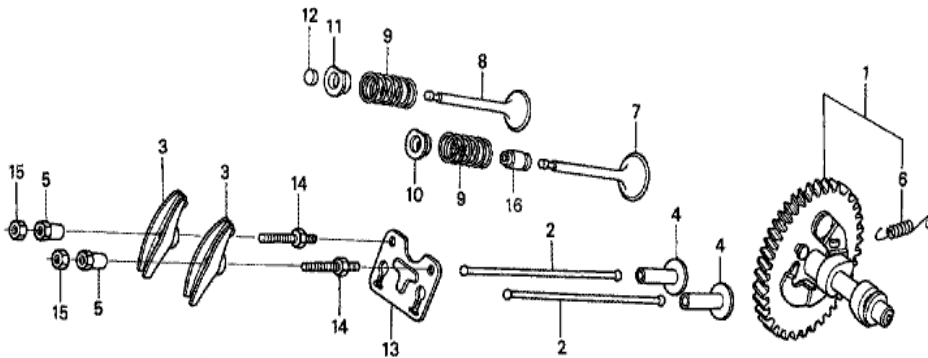
| Ref | Partnumber | Description | GX270 | Serial Numbers |
|-----|---------------|--------------------------------|-------|----------------|
| 005 | 13310-ZH9-650 | CRANKSHAFT COMP. | 1 | 2401132 |
| 005 | 13310-ZH9-651 | CRANKSHAFT COMP. | 1 | 2401133 |
| 013 | 91001-ZH9-003 | BEARING, RADIAL BALL (6206 SH) | 1 | |



ZH90-E0800A



| <u>Ref</u> | <u>Partnumber</u> | <u>Description</u> | <u>GX270</u> | <u>Serial Numbers</u> |
|------------|-------------------|---|--------------|-----------------------|
| 001 | 13010-ZE8-601 | RING SET, PISTON (STD.) (NIPPON) | 1 | |
| 001 | 13010-ZE8-602 | RING SET, PISTON (STD.) (TEIKOKU) | 1 | |
| 001 | 13011-ZE8-601 | RING SET, PISTON (0.25) (NIPPON) | (1) | |
| 001 | 13011-ZE8-602 | RING SET, PISTON (0.25) (TEIKOKU) | (1) | |
| 001 | 13012-ZE8-601 | RING SET, PISTON (0.50) (NIPPON) | (1) | |
| 001 | 13012-ZE8-602 | RING SET, PISTON (0.50) (TEIKOKU) | (1) | |
| 001 | 13013-ZE8-601 | RING SET, PISTON (0.75) (NIPPON) | (1) | |
| 001 | 13013-ZE8-602 | RING SET, PISTON (0.75) (TEIKOKU) | (1) | |
| 002 | 13101-ZH9-000 | PISTON (STD.) | 1 | |
| 002 | 13102-ZH9-000 | PISTON (0.25) | (1) | |
| 002 | 13103-ZH9-000 | PISTON (0.50) | (1) | |
| 002 | 13104-ZH9-000 | PISTON (0.75) | (1) | |
| 003 | 13111-ZE2-000 | PIN, PISTON | 1 | |
| <u>Ref</u> | <u>Partnumber</u> | <u>Description</u> | <u>GX270</u> | <u>Serial Numbers</u> |
| 004 | 13200-ZE2-010 | ROD ASSY., CONNECTING (STD.) | 1 | |
| 004 | 13200-ZE2-305 | ROD ASSY., CONNECTING (0.25 UNDER SIZE) | (1) | |
| 005 | 90001-ZE8-000 | BOLT, CONNECTING ROD | 2 | |
| 006 | 90551-ZE1-000 | CLIP, PISTON PIN, 18MM | 2 | |



ZH90-E0900A



| <u>Ref</u> | <u>Partnumber</u> | <u>Description</u> | <u>GX270</u> | <u>Serial Numbers</u> |
|------------|-------------------|----------------------------|--------------|-----------------------|
| 001 | 14100-ZE3-020 | CAMSHAFT ASSY. | 1 | |
| 002 | 14410-ZE2-013 | ROD, PUSH | 2 | |
| 003 | 14431-ZE2-010 | ARM, VALVE ROCKER | 2 | |
| 004 | 14441-ZE2-000 | LIFTER, VALVE | 2 | |
| 005 | 14451-ZE1-013 | PIVOT, ROCKER ARM | 2 | |
| 006 | 14568-ZE1-000 | SPRING, WEIGHT RETURN | 1 | |
| 007 | 14711-ZE2-000 | VALVE, IN. | 1 | |
| 008 | 14721-ZE2-000 | VALVE, EX. | 1 | |
| 009 | 14751-ZE2-003 | SPRING, VALVE | 2 | |
| 010 | 14771-ZE2-000 | RETAINER, IN. VALVE SPRING | 1 | |
| 011 | 14773-ZE2-000 | RETAINER, EX. VALVE SPRING | 1 | |
| 012 | 14781-ZE2-000 | ROTATOR, VALVE | 1 | |
| 013 | 14791-ZE2-010 | GUIDE, PUSH ROD | 1 | |
| <u>Ref</u> | <u>Partnumber</u> | <u>Description</u> | <u>GX270</u> | <u>Serial Numbers</u> |
| 014 | 90012-ZE0-010 | BOLT, PIVOT, 8MM | 2 | |
| 015 | 90206-ZE1-000 | NUT, PIVOT ADJUSTING | 2 | |
| 016 | 12209-ZE8-003 | SEAL, VALVE STEM | 1 | |