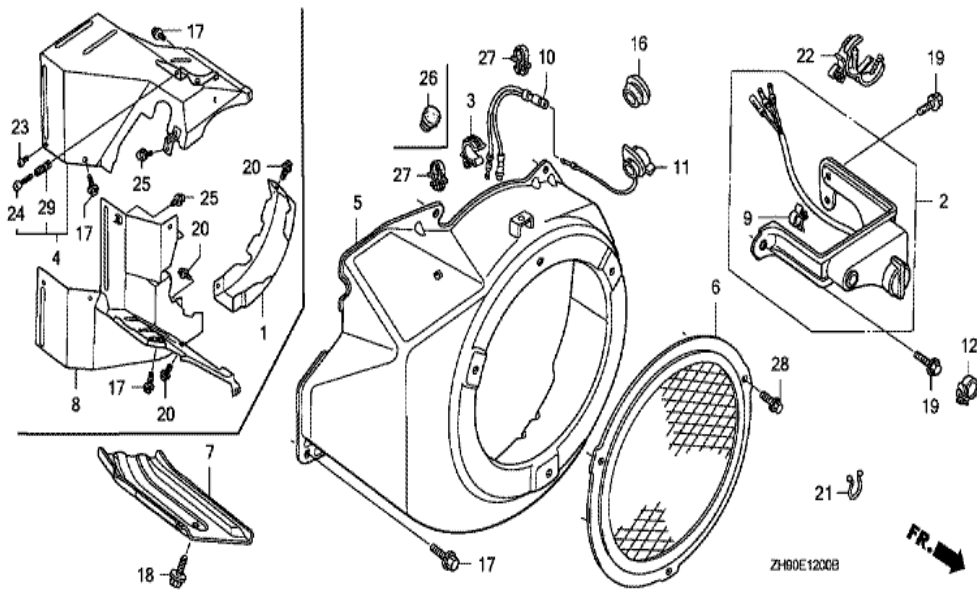




ZH90-E11008



| <u>Ref</u> | <u>Partnumber</u> | <u>Description</u>               | <u>GX270</u> | <u>Serial Numbers</u> |
|------------|-------------------|----------------------------------|--------------|-----------------------|
| 001        | 28400-ZE2-W01ZA   | STARTER ASSY., RECOIL *R8 *      | 1            |                       |
| 002        | 28410-ZE2-W01ZA   | CASE COMP., RECOIL STARTER *R8 * | 1            |                       |
| 003        | 28421-ZE2-W01     | PULLEY, RECOIL STARTER           | 1            |                       |
| 004        | 28422-ZE2-W01     | RATCHET, STARTER                 | 2            |                       |
| 005        | 28441-ZE2-W01     | SPRING, FRICTION                 | 1            |                       |
| 006        | 28442-ZE2-W01     | SPRING, STARTER RETURN           | 1            |                       |
| 007        | 28443-ZE2-W01     | SPRING, RATCHET                  | 2            |                       |
| 008        | 28444-ZE2-W01     | RETAINER, SPRING                 | 1            |                       |
| 010        | 28461-ZE2-W02     | GRIP, STARTER                    | 1            |                       |
| 011        | 28462-ZE2-W01     | ROPE, RECOIL STARTER             | 1            | 1413598               |
| 011        | 28462-ZE2-W11     | ROPE, RECOIL STARTER             | 1            | 1413599               |
| 012        | 28469-ZE2-W01     | REINFORCEMENT, GRIP              | 1            | 1413598               |
| 013        | 90004-ZE2-W01     | SCREW, CENTER                    | 1            |                       |
| <u>Ref</u> | <u>Partnumber</u> | <u>Description</u>               | <u>GX270</u> | <u>Serial Numbers</u> |
| 014        | 90008-ZE2-003     | BOLT, FLANGE, 6X10               | 3            |                       |



| Ref | Partnumber      | Description                | GX270 | Serial Numbers |
|-----|-----------------|----------------------------|-------|----------------|
| 003 | 16731-ZE2-003   | CLIP, TUBE                 | 1     |                |
| 005 | 19610-ZE2-010ZA | COVER COMP., FAN *R8 *     | 1     |                |
| 007 | 19631-ZE2-D00   | SHROUD                     | 1     |                |
| 016 | 81329-567-020   | GROMMET, DRAIN HOLE        | 1     |                |
| 018 | 90013-883-000   | BOLT, FLANGE, 6X12 (CT200) | 1     |                |



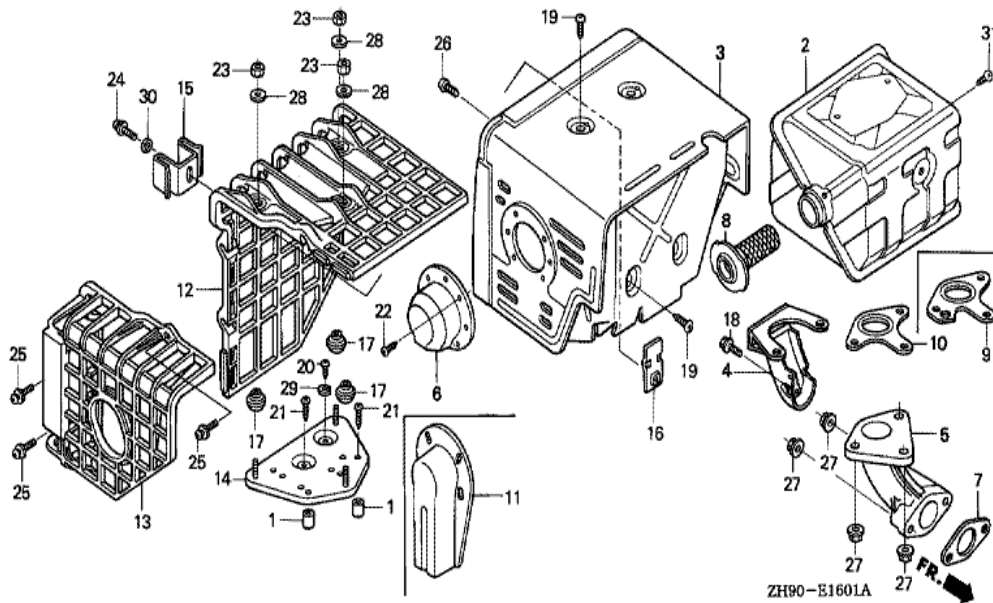
| Ref | Partnumber    | Description                  | GX270 | Serial Numbers  |
|-----|---------------|------------------------------|-------|-----------------|
| 001 | 16010-ZE2-015 | GASKET SET                   | 1     | BE21A C         |
| 001 | 16010-ZE2-812 | GASKET SET                   | 1     | BE75B B         |
| 002 | 16011-ZA0-931 | VALVE SET, FLOAT             | 1     |                 |
| 003 | 16013-ZA0-931 | FLOAT SET                    | 1     |                 |
| 005 | 16015-ZE8-005 | CHAMBER SET, FLOAT           | 1     |                 |
| 006 | 16016-ZA0-931 | SCREW SET, PILOT             | 1     |                 |
| 006 | 16016-ZA0-931 | SCREW SET, PILOT             | 1     | BE21A C         |
| 008 | 16028-ZE0-005 | SCREW SET                    | 1     |                 |
| 009 | 16044-ZE2-005 | CHOKE SET                    | 1     |                 |
| 010 | 16100-ZH9-820 | CARBURETOR ASSY. (BE21A B)   | 1     | 1173689         |
| 010 | 16100-ZH9-821 | CARBURETOR ASSY. (BE21A C)   | 1     | 1173690 1471451 |
| 010 | 16100-ZH9-W21 | CARBURETOR ASSY. (BE75B B/C) | 1     | 1471452         |
| 011 | 16124-ZE0-005 | SCREW, THROTTLE STOP         | 1     |                 |

| <u>Ref</u> | <u>Partnumber</u> | <u>Description</u>         | <u>GX270</u> | <u>Serial Numbers</u> |
|------------|-------------------|----------------------------|--------------|-----------------------|
| 013        | 16166-ZH9-820     | NOZZLE, MAIN               | 1            | BE21A C               |
| 013        | 16166-ZH9-W20     | NOZZLE, MAIN               | 1            | BE75B B               |
| 014        | 16173-001-004     | PACKING, FUEL STRAINER CUP | 1            |                       |
| 015        | 16211-ZE2-000     | INSULATOR, CARBURETOR      | 1            |                       |
| 017        | 16221-ZA0-800     | PACKING, CARBURETOR        | 1            |                       |
| 018        | 16223-ZA0-800     | PACKING, INSULATOR         | 1            |                       |
| 020        | 16953-ZE1-811     | LEVER, COCK                | 1            | BE21A B               |
| 020        | 16953-ZE1-812     | LEVER, COCK                | 1            | BE21A C               |
| 021        | 16954-ZE1-812     | PLATE, LEVER SETTING       | 1            |                       |
| 023        | 16956-ZE1-811     | SPRING, COCK LEVER         | 1            |                       |
| 024        | 16957-ZE1-812     | PACKING, FUEL COCK         | 1            |                       |
| 025        | 16967-ZE0-811     | CUP, FUEL STRAINER         | 1            |                       |
| 026        | 93500-030061H     | SCREW, PAN, 3X6            | 2            | BE21A C               |
| 026        | 93500-030081G     | SCREW, PAN, 3X8            | 2            | BE21A B               |
| 028        | 99101-ZF50820     | JET, MAIN, #82             | (1)          | BE21A B               |
| 028        | 99101-ZF50850     | JET, MAIN, #85             | (1)          | BE21A B               |
| 028        | 99101-ZF50850     | JET, MAIN, #85             | (1)          | BE21A B               |
| 028        | 99101-ZF50880     | JET, MAIN, #88             | 1            | BE21A B               |
| 028        | 99101-ZH80800     | JET, MAIN, #80             | (1)          | BE21A C<br>BE21A C    |
| 028        | 99101-ZH80800     | JET, MAIN, #80             | (1)          | BE75B B               |
| 028        | 99101-ZH80820     | JET, MAIN, #82             | (1)          | BE75B B               |
| 028        | 99101-ZH80850     | JET, MAIN, #85             | 1            | BE75B B               |
| 028        | 99101-ZH80850     | JET, MAIN, #85             | (1)          | BE21A C<br>BE21A C    |
| 028        | 99101-ZH80880     | JET, MAIN, #88             | 1            | BE21A C<br>BE21A C    |
| 029        | 99204-ZE00400     | JET SET, PILOT, #40        | 1            | BE21A C               |
| 029        | 99204-ZE00400     | JET SET, PILOT, #40        | 1            | BE21A C<br>BE21A C    |
| 029        | 99204-ZE20400     | JET SET, PILOT, #40        | 1            | BE75B B               |
| 030        | 16016-ZH7-W01     | SCREW SET, PILOT           | 1            | BE24B D               |
| 030        | 16016-ZH7-W01     | SCREW SET, PILOT           | 1            | BE75B B               |
| 031        | 16024-ZE1-811     | SCREW SET, DRAIN           | 1            | BE75B B               |
| 032        | 16172-ZE3-W10     | COLLAR, SETTING            | 1            | BE75B B               |

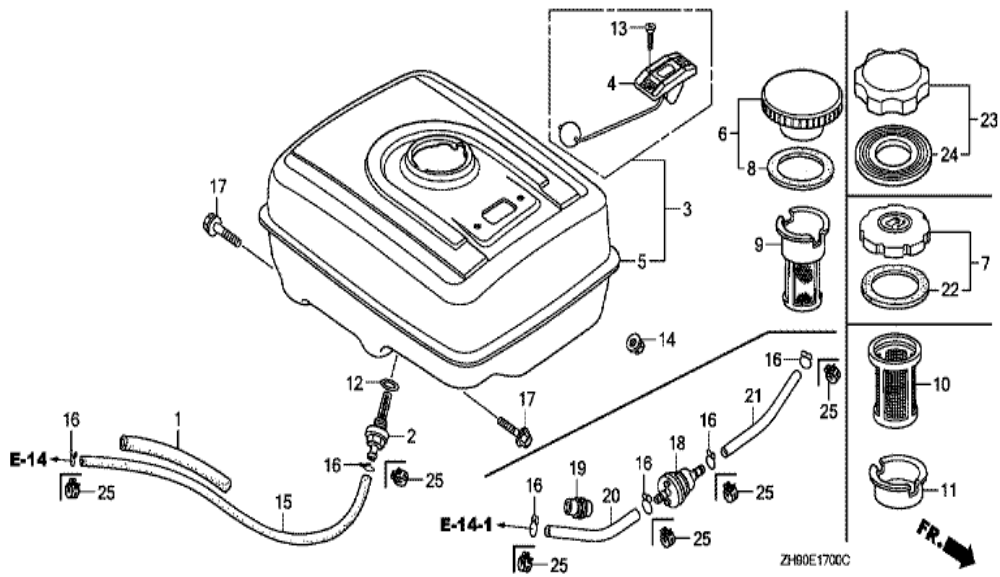


ZH90-E1502A

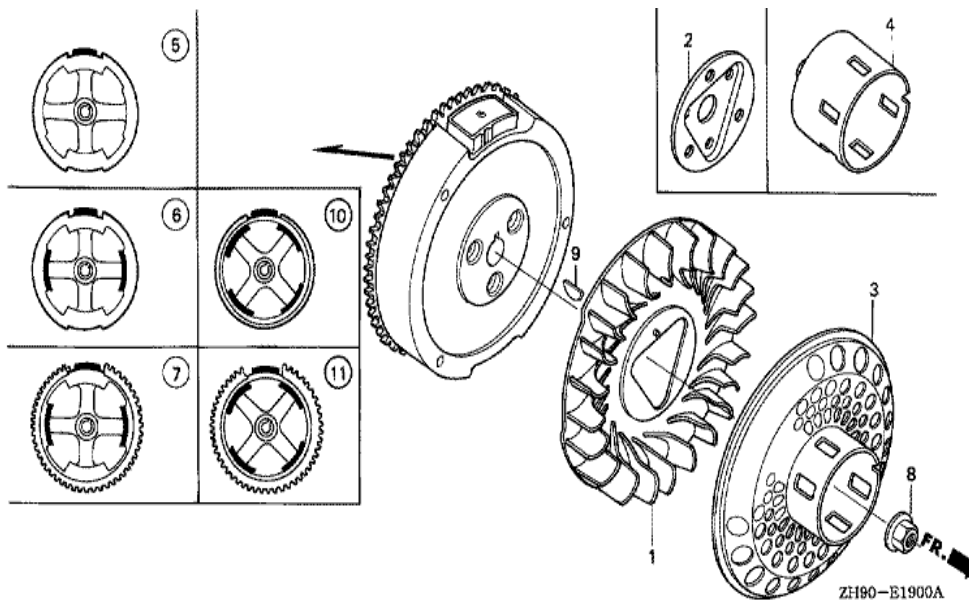
| Ref | Partnumber    | Description                 | GX270 | Serial Numbers |
|-----|---------------|-----------------------------|-------|----------------|
| 001 | 16271-ZE2-000 | PACKING, ELBOW              | 1     |                |
| 002 | 17210-ZE2-822 | ELEMENT, AIR CLEANER (DUAL) | 1     |                |
| 003 | 17218-ZE2-821 | FILTER, OUTER               | 1     |                |
| 005 | 17231-ZH9-820 | COVER, AIR CLEANER          | 1     |                |
| 006 | 17232-891-000 | GROMMET, AIR CLEANER        | 1     |                |
| 007 | 17238-ZE2-310 | COLLAR, AIR CLEANER         | 2     |                |
| 008 | 17239-ZE1-000 | COLLAR B, AIR CLEANER       | 1     |                |
| 009 | 17410-ZE2-020 | ELBOW COMP., AIR CLEANER    | 1     |                |
| 012 | 90325-044-000 | NUT, TOOL BOX SETTING       | 2     |                |
| 013 | 90009-ZE2-003 | BOLT-WASHER, 6X22           | 1     |                |
| 014 | 94050-06000   | NUT, FLANGE, 6MM            | 2     |                |



| <u>Ref</u> | <u>Partnumber</u> | <u>Description</u>                | <u>GX270</u> | <u>Serial Numbers</u> |
|------------|-------------------|-----------------------------------|--------------|-----------------------|
| 001        | 17233-896-701     | COLLAR, AIR CLEANER CASE          | (2)          |                       |
| 002        | 18310-ZE2-W61     | MUFFLER COMP. (100DB)             | 1            |                       |
| 003        | 18320-ZE2-W61     | PROTECTOR COMP., MUFFLER          | 1            |                       |
| 005        | 18330-ZH9-N00     | PIPE, EX.                         | 1            |                       |
| 007        | 18333-ZE3-800     | GASKET, EX. PIPE                  | 1            | 1187115               |
| 007        | 18333-ZF6-W01     | GASKET, EX. PIPE                  | 1            | 1457780               |
| 007        | 18333-ZK6-Y00     | GASKET, EX. PIPE                  | 1            | 1187116 1457779       |
| 010        | 18381-ZE2-800     | GASKET, MUFFLER (NIPPON LEAKLESS) | 1            |                       |
| 012        | 18433-ZF6-W40     | COVER COMP., MUFFLER              | (1)          |                       |
| 013        | 18434-ZF6-W40     | COVER COMP., RR. MUFFLER          | (1)          |                       |
| 014        | 18436-ZH8-W40     | BASE COMP., MUFFLER COVER         | (1)          |                       |
| 015        | 18437-ZF6-W40     | STAY, MUFFLER COVER               | (1)          |                       |
| 016        | 18438-ZF6-W40     | PLATE, SET                        | (1)          |                       |
| <u>Ref</u> | <u>Partnumber</u> | <u>Description</u>                | <u>GX270</u> | <u>Serial Numbers</u> |
| 017        | 18466-ZH8-W40     | SPACER, MUFFLER COVER             | (3)          |                       |
| 020        | 90050-ZE1-000     | SCREW, TAPPING, 5X8               | (1)          |                       |
| 021        | 90050-ZH8-W40     | SCREW, TAPPING, 5X25              | (2)          |                       |
| 023        | 90302-KF9-900     | NUT, HEX., 5MM                    | (3)          |                       |
| 024        | 93891-0501200     | SCREW-WASHER, 5X12                | (1)          |                       |
| 025        | 93891-0602007     | SCREW-WASHER, 6X20                | (3)          |                       |
| 026        | 90006-ZE2-000     | SCREW, TAPPING, 6X10              | 1            |                       |
| 027        | 94050-08000       | NUT, FLANGE, 8MM                  | 5            |                       |
| 028        | 94103-05700       | WASHER, PLAIN, 5MM                | (3)          |                       |
| 029        | 94111-05000       | WASHER, SPRING, 5MM               | (1)          |                       |

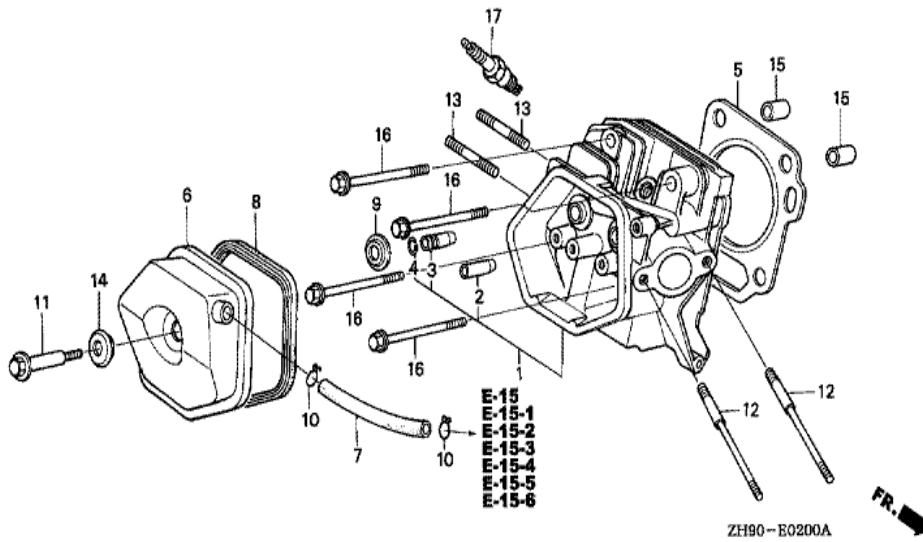


| Ref | Partnumber      | Description                           | GX270 | Serial Numbers |
|-----|-----------------|---------------------------------------|-------|----------------|
| 001 | 16854-ZH8-000   | RUBBER, SUPPORTER (107MM)             | 1     |                |
| 002 | 16955-ZE1-000   | JOINT, FUEL TANK                      | 1     |                |
| 005 | 17510-ZE2-010ZA | TANK COMP., FUEL *NH31 *              | 1     |                |
| 007 | 17620-ZH7-013   | CAP COMP., FUEL FILLER                | 1     | 1227142        |
| 007 | 17620-ZH7-023   | CAP COMP., FUEL FILLER (BLACK)        | 1     | 1227143        |
| 009 | 17672-ZE2-W01   | FILTER, FUEL                          | 1     |                |
| 012 | 91353-671-004   | O-RING, 14MM (NOK)                    | 1     |                |
| 014 | 94050-08000     | NUT, FLANGE, 8MM                      | 2     |                |
| 015 | 95001-4522240   | TUBE, FUEL, 4.5X222 (95001-45001-60M) | 1     |                |
| 016 | 95002-02080     | CLIP, TUBE (B8)                       | 2     |                |
| 017 | 95701-0802500   | BOLT, FLANGE, 8X25                    | (2)   |                |
| 022 | 17631-ZH7-003   | PACKING, FUEL FILLER CAP (39X58X3)    | 1     |                |

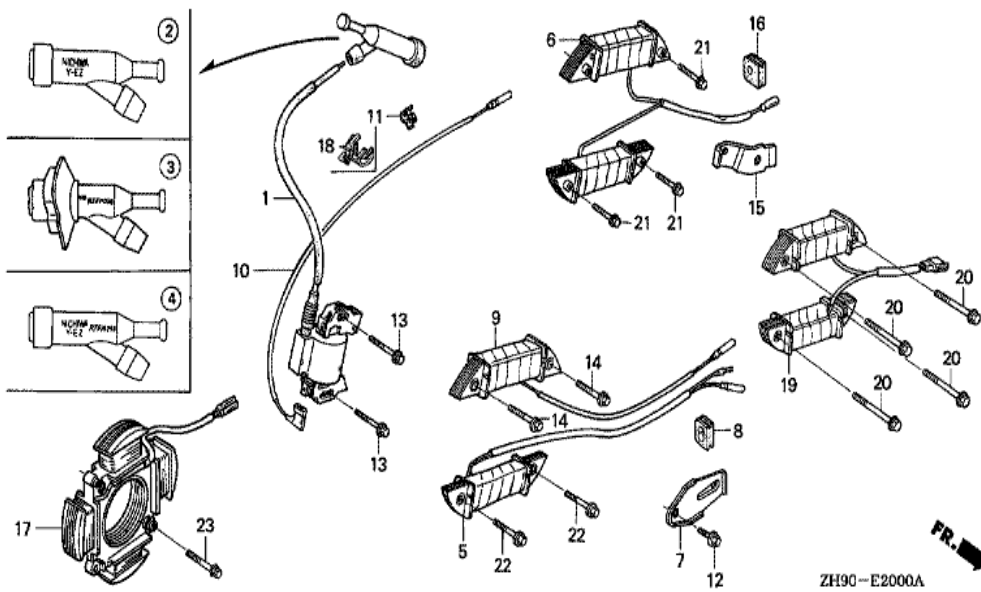


| Ref | Partnumber    | Description                         | GX270 | Serial Numbers |
|-----|---------------|-------------------------------------|-------|----------------|
| 001 | 19511-ZE2-000 | FAN, COOLING                        | 1     |                |
| 003 | 28450-ZE2-W11 | PULLEY COMP., STARTER (SCREEN GRID) | 1     |                |
| 008 | 90201-ZE3-790 | NUT, SPECIAL, 16MM                  | 1     |                |
| 008 | 90201-ZE3-790 | NUT, SPECIAL, 16MM                  | 1     | 1180427        |
| 008 | 90201-ZE3-V00 | NUT, SPECIAL, 16MM                  | 1     | 1180428        |
| 009 | 90741-ZE2-000 | KEY, SPECIAL WOODRUFF, 25X18        | 1     |                |
| 011 | 31100-ZE2-832 | FLYWHEEL COMP. (4POLE)              | 1     |                |

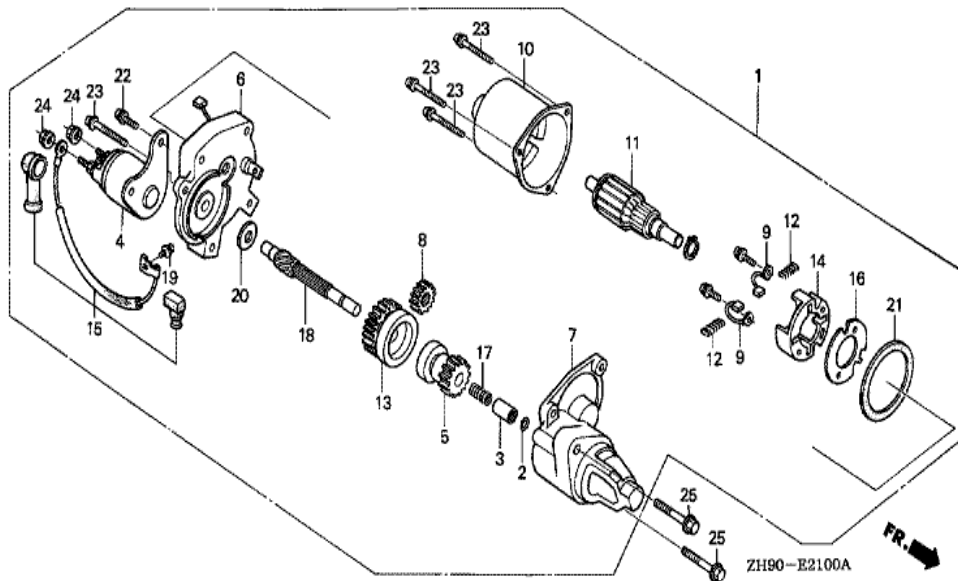




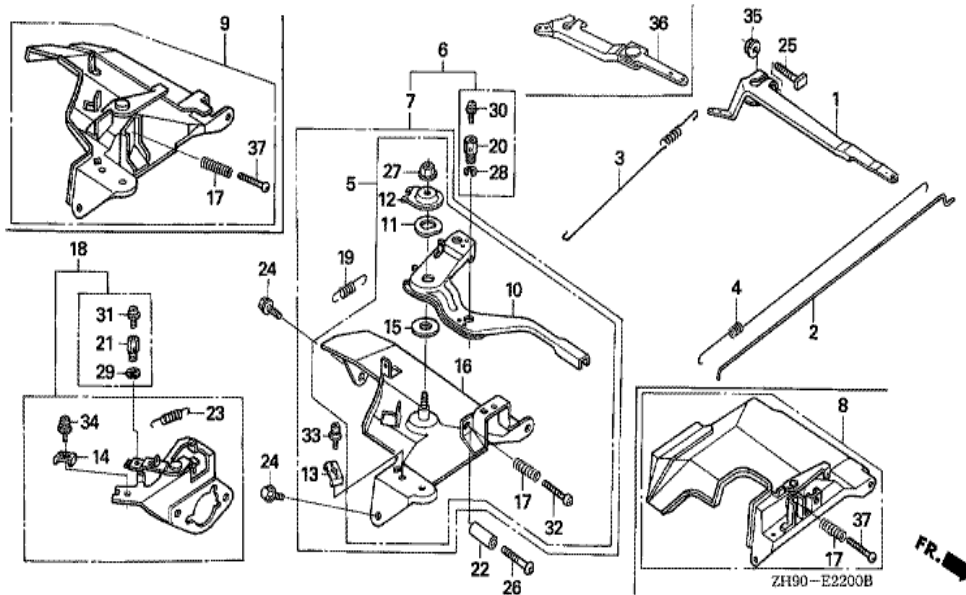
| Ref | Partnumber    | Description                    | GX270 | Serial Numbers |
|-----|---------------|--------------------------------|-------|----------------|
| 001 | 12200-ZH9-000 | HEAD COMP., CYLINDER           | 1     |                |
| 002 | 12204-ZE2-306 | GUIDE, IN. VALVE (O.S.)        | (1)   |                |
| 003 | 12205-ZE2-305 | GUIDE, EX. VALVE (OS)          | (1)   |                |
| 004 | 12216-ZE2-300 | CLIP, VALVE GUIDE              | 1     |                |
| 005 | 12251-ZH9-000 | GASKET, CYLINDER HEAD          | 1     |                |
| 006 | 12310-ZE2-020 | COVER COMP., HEAD              | 1     |                |
| 007 | 95005-1110030 | TUBE, 11X100 (95005-11001-30M) | 1     | 1174911        |
| 007 | 95005-1110530 | TUBE, 11X105 (95005-11001-30M) | 1     | 1174910        |
| 008 | 12391-ZE2-020 | PACKING, HEAD COVER            | 1     |                |
| 009 | 14775-ZE2-010 | SEAT, VALVE SPRING             | 1     |                |
| 011 | 90014-ZE2-000 | BOLT, HEAD COVER               | 1     |                |
| 012 | 90042-ZE2-000 | BOLT, STUD, 8X123              | 2     |                |
| 013 | 90047-ZE2-000 | BOLT, STUD, 8X47               | 2     | 1457779        |
| Ref | Partnumber    | Description                    | GX270 | Serial Numbers |
| 013 | 92900-080320E | BOLT, STUD, 8X32               | 2     | 1457780        |
| 013 | 92900-080320E | BOLT, STUD, 8X32               | 2     | 1457780        |
| 014 | 90441-ZE2-010 | WASHER COMP., HEAD COVER       | 1     |                |
| 015 | 94301-12200   | DOWEL PIN, 12X20               | 2     |                |
| 016 | 95725-1008000 | BOLT, FLANGE, 10X80            | 4     |                |
| 017 | 98079-56846   | PLUG, SPARK (BPR6ES) (NGK)     | 1     |                |



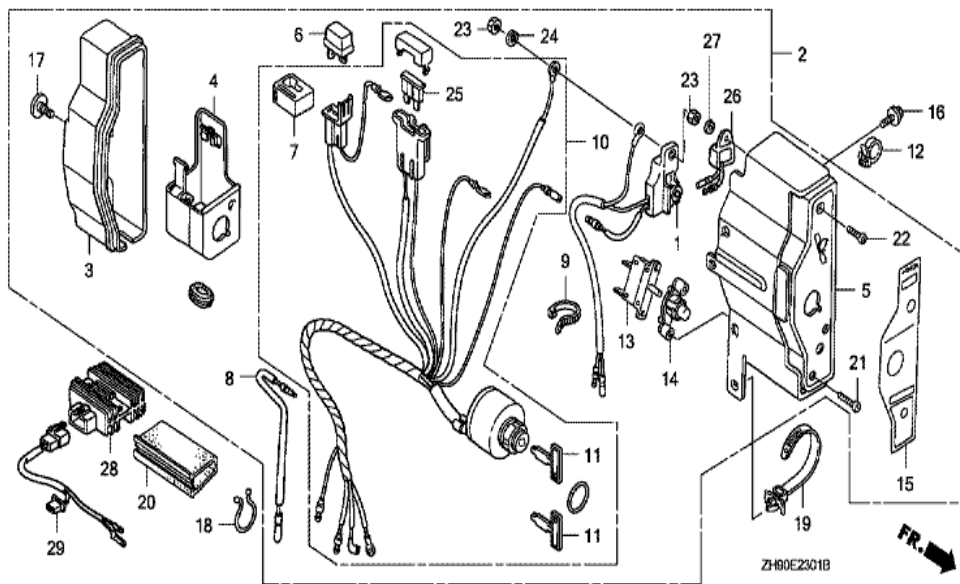
| Ref | Partnumber    | Description                             | GX270 | Serial Numbers |
|-----|---------------|---|-------|----------------|
| 001 | 30500-ZF6-W02 | COIL ASSY., IGNITION                    | 1     |                |
| 004 | 30700-ZE1-013 | CAP ASSY., NOISE SUPPRESSOR (NICHIA Y-E | 1     |                |
| 007 | 31511-ZE2-000 | CLAMPER, CORD                           | 1     |                |
| 008 | 31512-ZE2-000 | GROMMET, CORD                           | 1     |                |
| 010 | 36101-ZE1-010 | CORD, STOP SWITCH (370MM)               | 1     |                |
| 012 | 90013-883-000 | BOLT, FLANGE, 6X12 (CT200)              | 1     |                |
| 013 | 90015-883-000 | BOLT, FLANGE, 6X28 (CT200)              | 2     |                |
| 019 | 31630-ZE2-861 | COIL ASSY., CHARGE (10A)                | 1     |                |
| 020 | 90017-883-000 | BOLT, FLANGE, 6X32 (CT200)              | 4     |                |



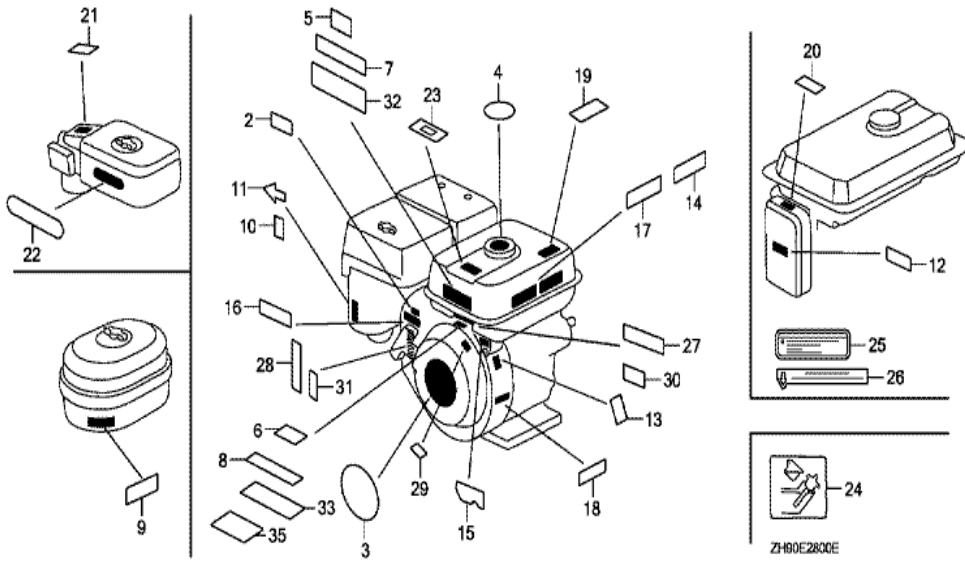
| <u>Ref</u> | <u>Partnumber</u> | <u>Description</u>        | <u>GX270</u> | <u>Serial Numbers</u> |
|------------|-------------------|---------------------------|--------------|-----------------------|
| 001        | 31200-ZH9-003     | MOTOR ASSY., STARTER      | 1            |                       |
| 002        | 31201-ZA1-003     | RING, SNAP                | 1            |                       |
| 003        | 31202-ZA1-003     | COLLAR, CLUTCH STOP       | 1            |                       |
| 004        | 31204-ZA0-003     | CONTACTOR ASSY.           | 1            |                       |
| 005        | 31207-ZH9-003     | CLUTCH COMP., OVERRUNNING | 1            |                       |
| 006        | 31211-ZE2-003     | BRACKET, CENTER           | 1            |                       |
| 007        | 31212-ZE2-003     | BRACKET, FR.              | 1            |                       |
| 008        | 31213-ZE2-003     | GEAR, DRIVE PINION        | 1            |                       |
| 009        | 31215-ZE2-003     | BRUSH                     | 2            |                       |
| 010        | 31216-ZE2-003     | YOKE COMP.                | 1            |                       |
| 011        | 31217-ZE2-003     | ARMATURE COMP.            | 1            |                       |
| 012        | 31219-ZE2-003     | SPRING, BRUSH RETURN      | 4            |                       |
| 013        | 31222-ZE3-791     | GEAR, REDUCTION           | 1            |                       |
| <u>Ref</u> | <u>Partnumber</u> | <u>Description</u>        | <u>GX270</u> | <u>Serial Numbers</u> |
| 014        | 31231-ZE2-003     | HOLDER, BRUSH             | 1            |                       |
| 015        | 31232-ZE3-003     | WIRE, WATER COVER         | 1            |                       |
| 016        | 31233-ZE2-003     | INSULATOR                 | 1            |                       |
| 017        | 31244-ZH9-003     | SPRING                    | 1            |                       |
| 018        | 31245-ZH9-003     | SHAFT                     | 1            |                       |
| 019        | 90110-ZE2-003     | SCREW-WASHER, 4X6         | 1            |                       |
| 020        | 90403-ZH9-003     | WASHER, SK                | 1            |                       |
| 021        | 91601-ZE2-003     | PACKING                   | 1            |                       |
| 022        | 90007-ZE2-003     | BOLT-WASHER, 5X14         | 2            | 1221120               |
| 022        | 93892-0501418     | SCREW-WASHER, 5X14        | 2            | 1221119               |
| 023        | 93892-0503218     | SCREW-WASHER, 5X32        | 4            |                       |
| 024        | 94070-06080       | NUT-WASHER, 6MM           | 2            |                       |
| 025        | 95701-0804000     | BOLT, FLANGE, 8X40        | 2            |                       |



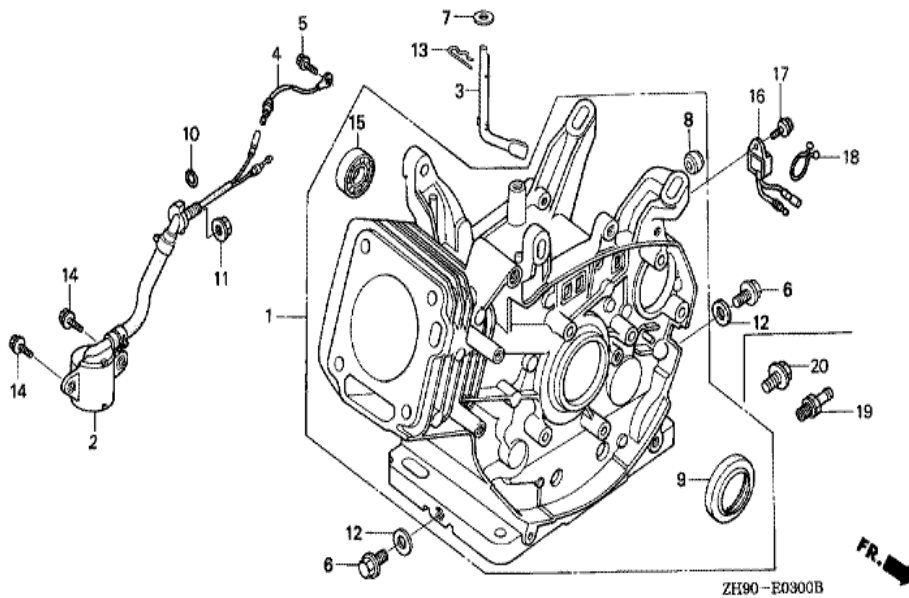
| Ref | Partnumber    | Description                              | GX270 | Serial Numbers |
|-----|---------------|--|-------|----------------|
| 001 | 16551-ZE2-000 | ARM, GOVERNOR                            | 1     |                |
| 002 | 16555-ZE2-000 | ROD, GOVERNOR                            | 1     |                |
| 003 | 16561-ZE2-000 | SPRING, GOVERNOR (L=145.0MM) (WIRE DIAME | 1     |                |
| 004 | 16562-ZE2-000 | SPRING, THROTTLE RETURN                  | 1     |                |
| 007 | 16570-ZE2-W20 | CONTROL ASSY. (REMOTE)                   | 1     |                |
| 010 | 16571-ZE2-W00 | LEVER, CONTROL                           | 1     |                |
| 011 | 16574-ZE1-000 | SPRING, LEVER                            | 1     |                |
| 012 | 16575-ZE2-W00 | WASHER, CONTROL LEVER                    | 1     |                |
| 013 | 16576-891-000 | HOLDER, CABLE                            | 1     |                |
| 014 | 16576-891-000 | HOLDER, CABLE                            | 1     |                |
| 015 | 16578-ZE1-000 | SPACER, CONTROL LEVER                    | 1     |                |
| 016 | 16581-ZE2-W00 | BASE COMP., CONTROL (###)                | 1     |                |
| 017 | 16584-883-300 | SPRING, CONTROL ADJUSTING                | 1     |                |
| Ref | Partnumber    | Description                              | GX270 | Serial Numbers |
| 018 | 16590-ZE2-812 | STAY ASSY., CHOKE CONTROL (REMOTE)       | 1     |                |
| 019 | 16592-883-310 | SPRING, CABLE RETURN                     | 1     |                |
| 021 | 16594-883-010 | HOLDER, WIRE                             | 1     |                |
| 022 | 16599-ZG1-M10 | COLLAR, STOPPER                          | (1)   |                |
| 023 | 16615-ZE2-810 | SPRING, RETURN                           | 1     |                |
| 024 | 90013-883-000 | BOLT, FLANGE, 6X12 (CT200)               | 2     |                |
| 025 | 90015-ZE5-010 | BOLT, GOVERNOR ARM                       | 1     |                |
| 026 | 90016-ZG9-N30 | SCREW, RECESSED, 5X25                    | (1)   |                |
| 027 | 90114-SA0-000 | NUT, SELF-LOCK, 6MM                      | 1     |                |
| 029 | 90605-230-000 | CIRCLIP, 5MM                             | 1     |                |
| 031 | 93500-040060H | SCREW, PAN, 4X6                          | 1     |                |
| 032 | 93500-050280A | SCREW, PAN, 5X28                         | 1     |                |
| 033 | 93500-050160A | SCREW, PAN, 5X16                         | 1     |                |
| 034 | 93893-0501600 | SCREW-WASHER, 5X16                       | 1     |                |
| 035 | 94050-06000   | NUT, FLANGE, 6MM                         | 1     |                |



| <u>Ref</u> | <u>Partnumber</u> | <u>Description</u>                        | <u>GX270</u> | <u>Serial Numbers</u> |
|------------|-------------------|---|--------------|-----------------------|
| 002        | 31610-ZK9-W41ZA   | BOX ASSY., CONTROL (10A) *R8 *            | 1            | 1325169               |
| 002        | 31610-ZK9-W42ZA   | BOX ASSY., CONTROL (EXTERNAL-ALERT) (10A) | 1            | 1325170               |
| 003        | 31612-ZE2-003     | CASE, CONTROL                             | 1            |                       |
| 004        | 31614-ZE2-003     | BRACKET, CASE MOUNTING                    | 1            |                       |
| 005        | 31615-ZE2-003ZB   | PANEL COMP., CONTROL *R8 *                | 1            |                       |
| 008        | 32197-ZE1-003     | HARNESS, SUB WIRE                         | 1            | 1321603               |
| 009        | 32902-892-003     | BAND                                      | 1            |                       |
| 010        | 35100-ZE2-862     | SWITCH ASSY., COMBINATION (10A-CHARGE)    | 1            |                       |
| 011        | 35111-880-003     | KEY COMP.                                 | 2            |                       |
| 012        | 36103-ZE1-000     | HOLDER, STOP SWITCH CORD                  | 1            |                       |
| 015        | 87529-ZH8-W40     | MARK, CONTROL BOX (ENGLISH)               | 1            |                       |
| 016        | 90013-883-000     | BOLT, FLANGE, 6X12 (CT200)                | 2            |                       |
| 017        | 90380-MA6-010     | SCREW, SPECIAL, 6X12                      | 1            |                       |
| <u>Ref</u> | <u>Partnumber</u> | <u>Description</u>                        | <u>GX270</u> | <u>Serial Numbers</u> |
| 018        | 90630-751-000     | CLIP, PURSE LOCK                          | 1            |                       |
| 019        | 90672-SA0-003     | STRAP, CABLE, 118MM (BLACK)               | 1            |                       |
| 020        | 91406-ZE2-003     | TUBE, FASTENER, 30MM                      | 1            |                       |
| 022        | 93500-040120H     | SCREW, PAN, 4X12                          | 1            |                       |
| 023        | 94001-043900S     | NUT, HEX., 4MM                            | 1            | 1325169               |
| 023        | 94001-043900S     | NUT, HEX., 4MM                            | 2            | 1325170               |
| 024        | 94111-04800       | WASHER, SPRING, 4MM                       | 1            |                       |
| 025        | 98200-31500       | FUSE, BLADE (15A)                         | 1            |                       |
| 026        | 34150-ZH7-003     | ALERT UNIT, OIL                           | 1            | 1325170               |
| 027        | 94101-04800       | WASHER, PLAIN, 4MM                        | 1            | 1325170               |
| 028        | 31600-ZE2-861     | RECTIFIER ASSY., REGULATOR (10A)          | 1            |                       |
| 029        | 32110-ZE2-860     | HARNESS ASSY., SUB WIRE                   | 1            |                       |



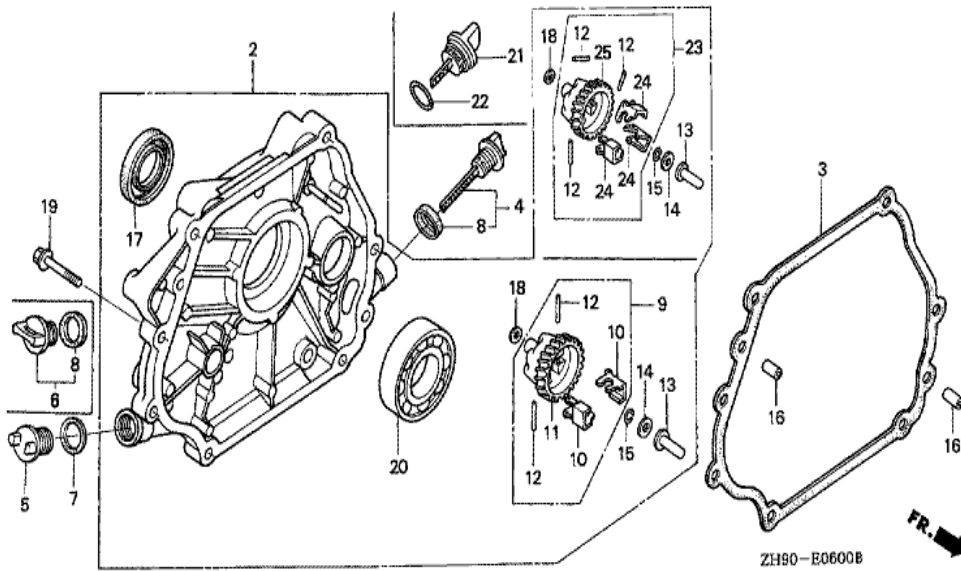
| Ref | Partnumber    | Description                              | GX270 | Serial Numbers  |
|-----|---------------|--|-------|-----------------|
| 003 | 87521-ZH9-010 | EMBLEM                                   | 1     | 1812277         |
| 003 | 87521-ZH9-020 | EMBLEM (GX270 9.0)                       | 1     | 1812278         |
| 005 | 87522-ZH8-W40 | MARK, CAUTION (PICTOGRAPH)               | 1     |                 |
| 016 | 87532-ZH8-W40 | MARK, THROTTLE INDICATION                | 1     |                 |
| 027 | 87135-ZE2-000 | LABEL, E-SPEC (HONDA) (EPA STANDARD) (15 | 1     | 1703189 1841642 |
| 027 | 87135-ZE2-010 | LABEL, E-SPEC (EPA STANDARD) (15.5X60.0) | 1     | 1841643         |



ZH90-E0300B

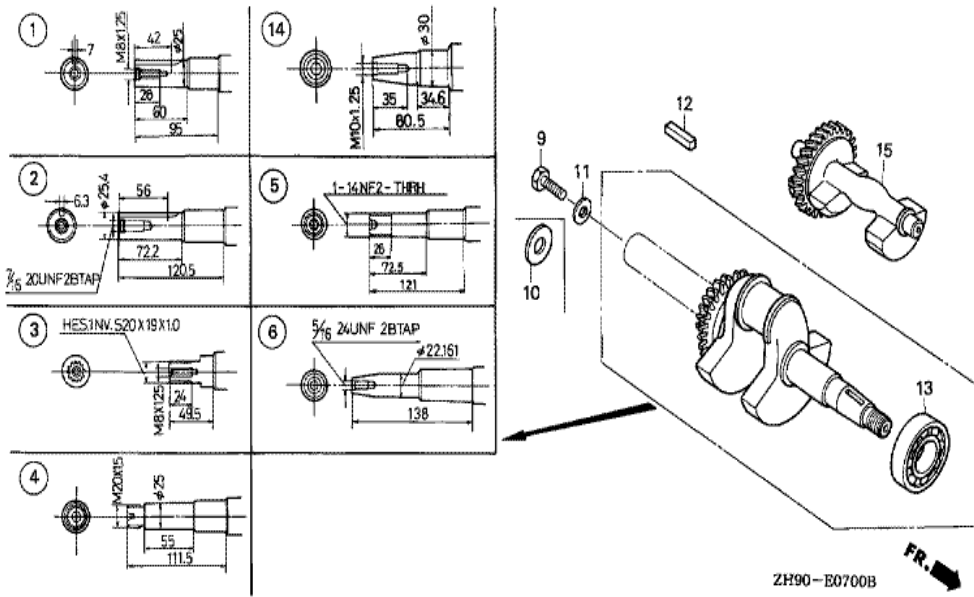
FR. →

| <u>Ref</u> | <u>Partnumber</u> | <u>Description</u>                       | <u>GX270</u> | <u>Serial Numbers</u> |
|------------|-------------------|--|--------------|-----------------------|
| 001        | 12000-ZH9-811     | BARREL ASSY., CYLINDER (SELFSTARTER+ALER | 1            | 1680278               |
| 001        | 12000-ZH9-812     | BARREL ASSY., CYLINDER (SELFSTARTER+ALER | 1            | 1680279               |
| 002        | 15510-ZE2-043     | SWITCH ASSY., OIL LEVEL                  | 1            |                       |
| 003        | 16541-ZE2-010     | SHAFT, GOVERNOR ARM                      | 1            |                       |
| 004        | 32197-ZE2-003     | SUB HARNESS                              | 1            | 1225386               |
| 006        | 90131-883-000     | BOLT, DRAIN PLUG, 12X15                  | 2            |                       |
| 007        | 90446-KE1-000     | WASHER, 8.2X17X0.8                       | 1            |                       |
| 009        | 91201-890-003     | OIL SEAL, 30X46X8                        | 1            |                       |
| 010        | 91353-671-004     | O-RING, 14MM (NOK)                       | 1            |                       |
| 011        | 94050-10000       | NUT, FLANGE, 10MM                        | 1            |                       |
| 012        | 94109-12000       | WASHER, DRAIN PLUG, 12MM                 | 2            |                       |
| 013        | 94251-10000       | PIN, LOCK, 10MM                          | 1            |                       |
| 014        | 95701-0601200     | BOLT, FLANGE, 6X12                       | 2            |                       |
| <u>Ref</u> | <u>Partnumber</u> | <u>Description</u>                       | <u>GX270</u> | <u>Serial Numbers</u> |
| 016        | 34150-ZH7-003     | ALERT UNIT, OIL                          | 1            | 1321603               |
| 017        | 90013-883-000     | BOLT, FLANGE, 6X12 (CT200)               | 1            | 1321603               |

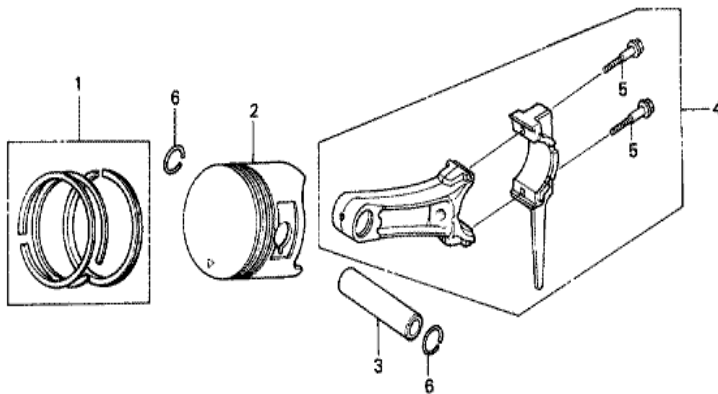


| Ref | Partnumber    | Description                | GX270 | Serial Numbers |
|-----|---------------|----------------------------|-------|----------------|
| 002 | 11300-ZE2-600 | COVER ASSY., CRANKCASE     | 1     | 1832354        |
| 002 | 11300-ZE2-601 | COVER ASSY., CRANKCASE     | 1     | 1832355        |
| 003 | 11381-ZE2-801 | PACKING, CASE COVER        | 1     |                |
| 004 | 15600-735-003 | CAP ASSY., OIL FILLER      | 1     |                |
| 006 | 15600-ZG4-003 | CAP ASSY., OIL FILLER      | 1     |                |
| 008 | 15625-ZE1-003 | PACKING, OIL FILLER CAP    | 2     |                |
| 009 | 16510-ZE2-000 | GOVERNOR ASSY.             | 1     |                |
| 010 | 16511-ZE2-000 | WEIGHT, GOVERNOR           | 2     |                |
| 011 | 16512-ZE2-000 | HOLDER, GOVERNOR WEIGHT    | 1     |                |
| 012 | 16513-ZE2-000 | PIN, GOVERNOR WEIGHT       | 2     |                |
| 013 | 16531-Z0A-000 | SLIDER, GOVERNOR           | 1     | 1832355        |
| 013 | 16531-ZE2-000 | SLIDER, GOVERNOR           | 1     | 1832354        |
| 014 | 90473-147-000 | WASHER, 6X16               | 1     | 1832355        |
| Ref | Partnumber    | Description                | GX270 | Serial Numbers |
| 015 | 90602-ZE1-000 | CLIP, GOVERNOR HOLDER      | 1     |                |
| 016 | 90701-HC4-000 | DOWEL PIN, 8X12            | 2     |                |
| 017 | 91201-890-003 | OIL SEAL, 30X46X8          | 1     |                |
| 018 | 94101-06800   | WASHER, PLAIN, 6MM         | 1     |                |
| 019 | 95701-0803500 | BOLT, FLANGE, 8X35         | 7     |                |
| 020 | 96100-6206000 | BEARING, RADIAL BALL, 6206 | 1     |                |





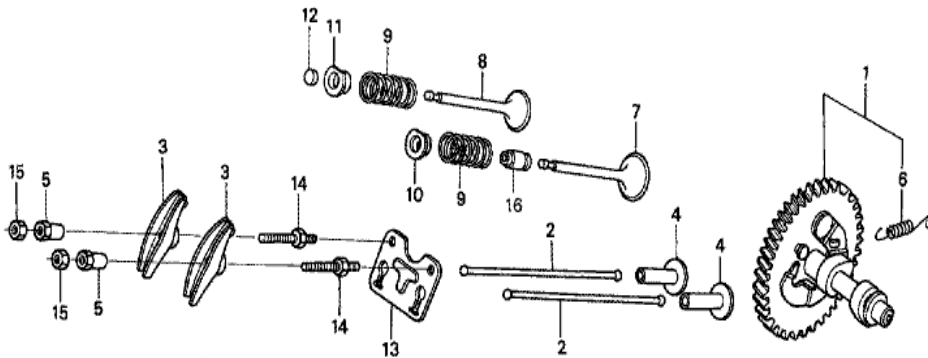
| Ref | Partnumber    | Description                    | GX270 | Serial Numbers |
|-----|---------------|--------------------------------|-------|----------------|
| 002 | 13310-ZH9-600 | CRANKSHAFT COMP.               | 1     |                |
| 012 | 90745-ZE2-600 | KEY, 6.3X6.3X43                | 1     |                |
| 013 | 91001-ZH9-003 | BEARING, RADIAL BALL (6206 SH) | 1     |                |



ZH90-E0800A



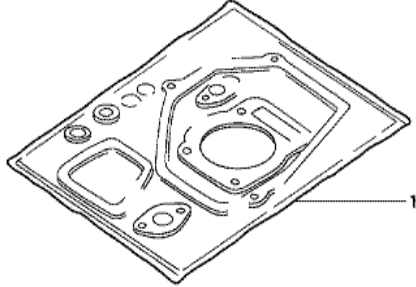
| <u>Ref</u> | <u>Partnumber</u> | <u>Description</u>                      | <u>GX270</u> | <u>Serial Numbers</u> |
|------------|-------------------|---|--------------|-----------------------|
| 001        | 13010-ZE8-601     | RING SET, PISTON (STD.) (NIPPON)        | 1            |                       |
| 001        | 13010-ZE8-602     | RING SET, PISTON (STD.) (TEIKOKU)       | 1            |                       |
| 001        | 13011-ZE8-601     | RING SET, PISTON (0.25) (NIPPON)        | (1)          |                       |
| 001        | 13011-ZE8-602     | RING SET, PISTON (0.25) (TEIKOKU)       | (1)          |                       |
| 001        | 13012-ZE8-601     | RING SET, PISTON (0.50) (NIPPON)        | (1)          |                       |
| 001        | 13012-ZE8-602     | RING SET, PISTON (0.50) (TEIKOKU)       | (1)          |                       |
| 001        | 13013-ZE8-601     | RING SET, PISTON (0.75) (NIPPON)        | (1)          |                       |
| 001        | 13013-ZE8-602     | RING SET, PISTON (0.75) (TEIKOKU)       | (1)          |                       |
| 002        | 13101-ZH9-000     | PISTON (STD.)                           | 1            |                       |
| 002        | 13102-ZH9-000     | PISTON (0.25)                           | (1)          |                       |
| 002        | 13103-ZH9-000     | PISTON (0.50)                           | (1)          |                       |
| 002        | 13104-ZH9-000     | PISTON (0.75)                           | (1)          |                       |
| 003        | 13111-ZE2-000     | PIN, PISTON                             | 1            |                       |
| <u>Ref</u> | <u>Partnumber</u> | <u>Description</u>                      | <u>GX270</u> | <u>Serial Numbers</u> |
| 004        | 13200-ZE2-010     | ROD ASSY., CONNECTING (STD.)            | 1            |                       |
| 004        | 13200-ZE2-305     | ROD ASSY., CONNECTING (0.25 UNDER SIZE) | (1)          |                       |
| 005        | 90001-ZE8-000     | BOLT, CONNECTING ROD                    | 2            |                       |
| 006        | 90551-ZE1-000     | CLIP, PISTON PIN, 18MM                  | 2            |                       |



ZH90-E0900A



| <u>Ref</u> | <u>Partnumber</u> | <u>Description</u>         | <u>GX270</u> | <u>Serial Numbers</u> |
|------------|-------------------|----------------------------|--------------|-----------------------|
| 001        | 14100-ZE3-020     | CAMSHAFT ASSY.             | 1            | 1471452               |
| 001        | 14100-ZH9-000     | CAMSHAFT ASSY.             | 1            | 1268284               |
| 001        | 14100-ZH9-010     | CAMSHAFT ASSY.             | 1            | 1268285 1471451       |
| 002        | 14410-ZE2-013     | ROD, PUSH                  | 2            |                       |
| 003        | 14431-ZE2-010     | ARM, VALVE ROCKER          | 2            |                       |
| 004        | 14441-ZE2-000     | LIFTER, VALVE              | 2            |                       |
| 005        | 14451-ZE1-013     | PIVOT, ROCKER ARM          | 2            |                       |
| 006        | 14568-ZE1-000     | SPRING, WEIGHT RETURN      | 1            |                       |
| 007        | 14711-ZE2-000     | VALVE, IN.                 | 1            |                       |
| 008        | 14721-ZE2-000     | VALVE, EX.                 | 1            |                       |
| 009        | 14751-ZE2-003     | SPRING, VALVE              | 2            |                       |
| 010        | 14771-ZE2-000     | RETAINER, IN. VALVE SPRING | 1            |                       |
| 011        | 14773-ZE2-000     | RETAINER, EX. VALVE SPRING | 1            |                       |
| <u>Ref</u> | <u>Partnumber</u> | <u>Description</u>         | <u>GX270</u> | <u>Serial Numbers</u> |
| 012        | 14781-ZE2-000     | ROTATOR, VALVE             | 1            |                       |
| 013        | 14791-ZE2-010     | GUIDE, PUSH ROD            | 1            |                       |
| 014        | 90012-ZE0-010     | BOLT, PIVOT, 8MM           | 2            |                       |
| 015        | 90206-ZE1-000     | NUT, PIVOT ADJUSTING       | 2            |                       |
| 016        | 12209-ZE8-003     | SEAL, VALVE STEM           | 1            | 1703119               |



HENG-X0003

| <u>Ref</u> | <u>Partnumber</u> | <u>Description</u> | <u>GX270</u> | <u>Serial Numbers</u> |
|------------|-------------------|--------------------|--------------|-----------------------|
| 001        | 061A1-ZH9-050     | GASKET KIT         | 1            | 1641019               |