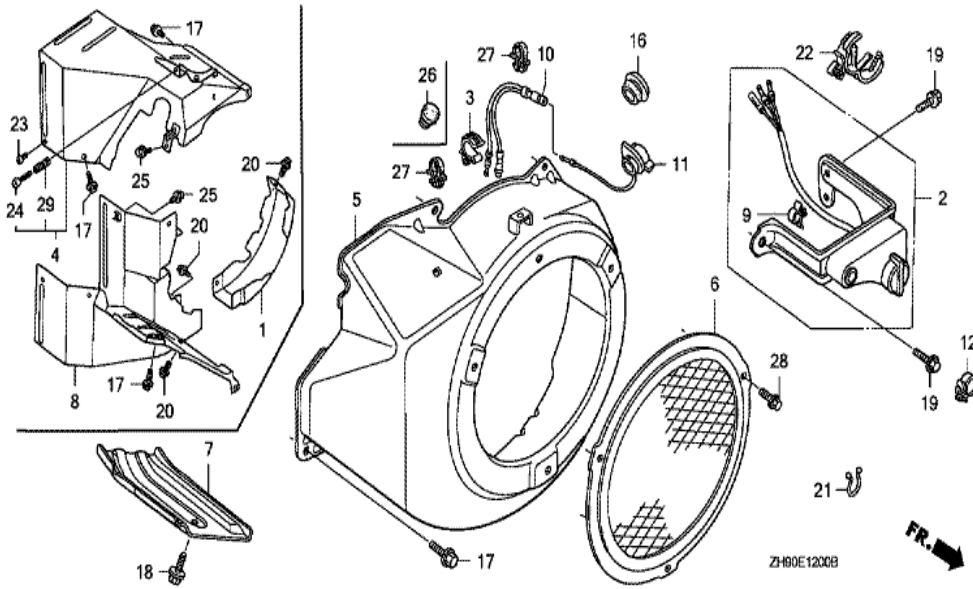




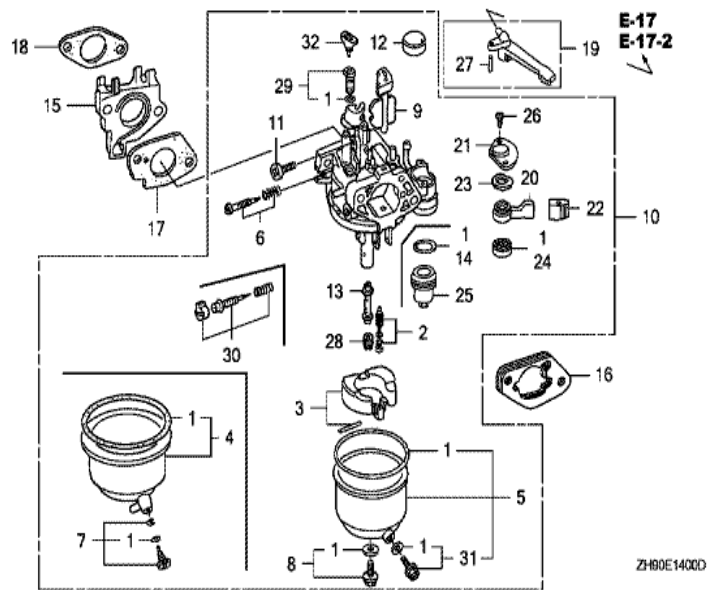
ZH90-E11008



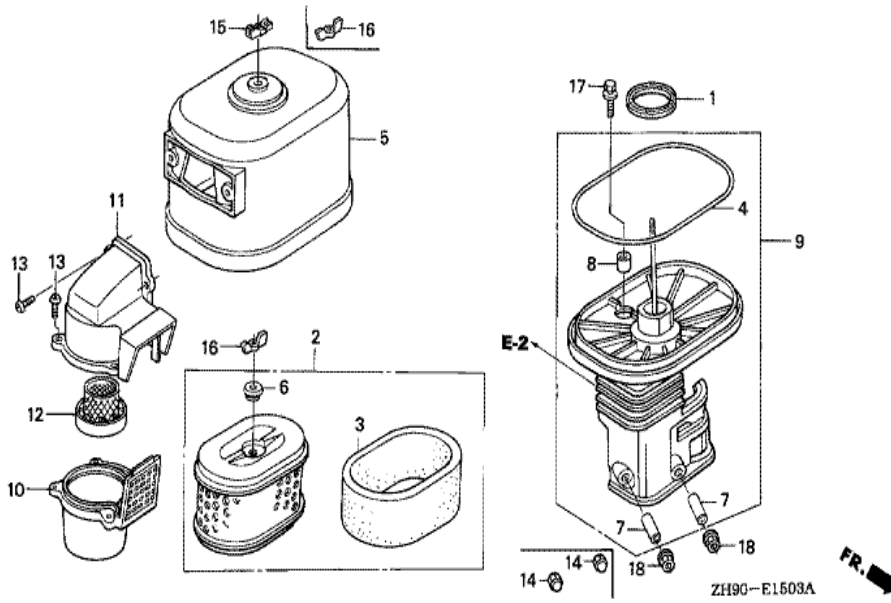
<u>Ref</u>	<u>Partnumber</u>	<u>Description</u>	<u>GX270</u>	<u>Serial Numbers</u>
001	28400-ZE2-W01ZA	STARTER ASSY., RECOIL *R8 *	1	2080023
001	28400-ZE2-W01ZN	STARTER ASSY., RECOIL *R280 *	1	2080024
002	28410-ZE2-W01ZA	CASE COMP., RECOIL STARTER *R8 *	1	2080023
002	28410-ZE2-W01ZN	CASE COMP., RECOIL STARTER *R280 *	1	2080024
003	28421-ZE2-W01	PULLEY, RECOIL STARTER	1	
004	28422-ZE2-W01	RATCHET, STARTER	2	
005	28441-ZE2-W01	SPRING, FRICTION	1	
006	28442-ZE2-W01	SPRING, STARTER RETURN	1	
007	28443-ZE2-W01	SPRING, RATCHET	2	
008	28444-ZE2-W01	RETAINER, SPRING	1	
010	28461-ZE2-W02	GRIP, STARTER	1	
011	28462-ZE2-W11	ROPE, RECOIL STARTER	1	
013	90004-ZE2-W01	SCREW, CENTER	1	
<u>Ref</u>	<u>Partnumber</u>	<u>Description</u>	<u>GX270</u>	<u>Serial Numbers</u>
014	90008-ZE2-003	BOLT, FLANGE, 6X10	3	



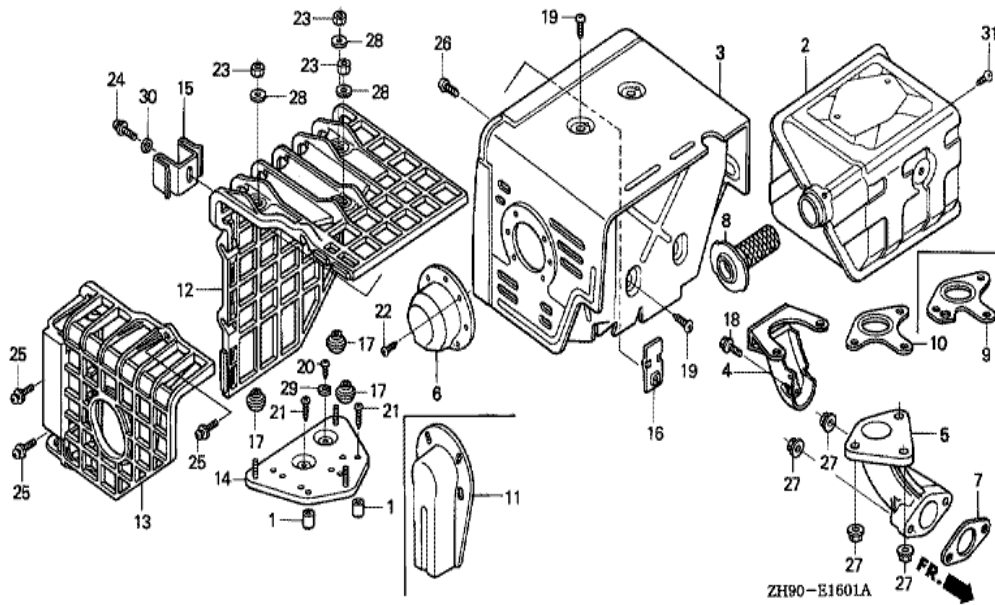
Ref	Partnumber	Description	GX270	Serial Numbers
003	16731-ZE2-003	CLIP, TUBE	1	
005	19610-ZE2-010ZA	COVER COMP., FAN *R8 *	1	2080023
005	19610-ZE2-010ZL	COVER COMP., FAN *R280 *	1	2080024
007	19631-ZE2-D00	SHROUD	1	
016	81329-567-020	GROMMET, DRAIN HOLE	1	
018	90013-883-000	BOLT, FLANGE, 6X12 (CT200)	1	



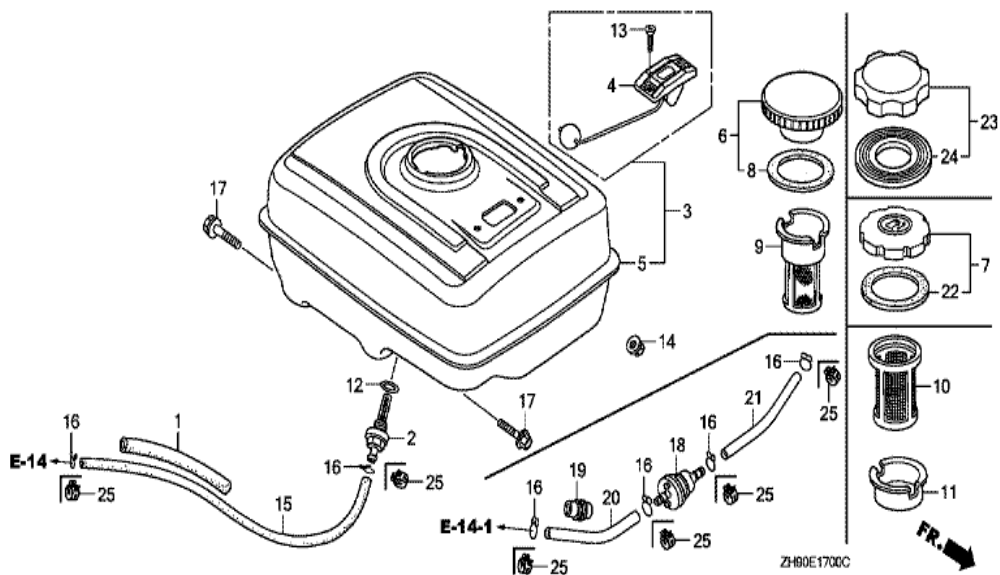
<u>Ref</u>	<u>Partnumber</u>	<u>Description</u>	<u>GX270</u>	<u>Serial Numbers</u>
001	16010-ZE2-812	GASKET SET	1	
002	16011-ZA0-931	VALVE SET, FLOAT	1	
003	16013-ZA0-931	FLOAT SET	1	
005	16015-ZE8-005	CHAMBER SET, FLOAT	1	
008	16028-ZE0-005	SCREW SET	1	
009	16044-ZE2-005	CHOKE SET	1	
010	16100-ZH9-W01	CARBURETOR ASSY. (BE75A B/C)	1	
011	16124-ZE0-005	SCREW, THROTTLE STOP	1	
013	16166-ZH9-W00	NOZZLE, MAIN	1	
014	16173-001-004	PACKING, FUEL STRAINER CUP	1	
015	16211-ZE2-000	INSULATOR, CARBURETOR	1	
016	16220-ZA0-702	SPACER COMP., CARBURETOR	1	
017	16221-ZA0-800	PACKING, CARBURETOR	1	
<u>Ref</u>	<u>Partnumber</u>	<u>Description</u>	<u>GX270</u>	<u>Serial Numbers</u>
018	16223-ZA0-800	PACKING, INSULATOR	1	
019	16610-ZE1-000	LEVER COMP., CHOKE (STD.)	1	
020	16953-ZE1-812	LEVER, COCK	1	BE75B B
021	16954-ZE1-812	PLATE, LEVER SETTING	1	
023	16956-ZE1-811	SPRING, COCK LEVER	1	
024	16957-ZE1-812	PACKING, FUEL COCK	1	
025	16967-ZE0-811	CUP, FUEL STRAINER	1	
026	93500-030061H	SCREW, PAN, 3X6	2	BE17B C
027	94305-20122	PIN, SPRING, 2X12	1	
028	99101-ZH80880	JET, MAIN, #88	1	BE21A C
028	99101-ZH80900	JET, MAIN, #90	(1)	BE75A B
028	99101-ZH80920	JET, MAIN, #92	1	
029	99204-ZE00350	JET SET, PILOT, #35	1	BE75A B
029	99204-ZE20400	JET SET, PILOT, #40	1	BE75A C
030	16016-ZH7-W01	SCREW SET, PILOT	1	
031	16024-ZE1-811	SCREW SET, DRAIN	1	
032	16172-ZE3-W10	COLLAR, SETTING	1	



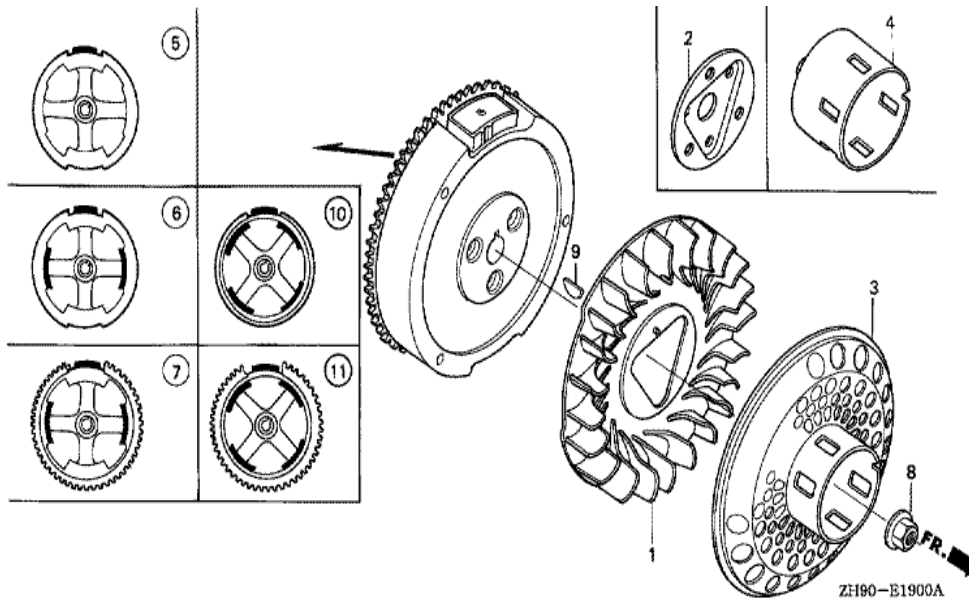
<u>Ref</u>	<u>Partnumber</u>	<u>Description</u>	<u>GX270</u>	<u>Serial Numbers</u>
001	16271-ZE2-010	PACKING, ELBOW	1	
002	17210-ZE3-010	ELEMENT, AIR CLEANER	1	
003	17218-ZE3-000	FILTER, OUTER	1	
004	17219-ZE3-840	PACKING, AIR CLEANER COVER	1	
005	17230-ZE3-841	COVER COMP., AIR CLEANER (CYCLONE)	1	
006	17232-891-000	GROMMET, AIR CLEANER	1	
007	17238-ZE2-310	COLLAR, AIR CLEANER	2	
008	17239-ZE3-840	COLLAR B, AIR CLEANER	1	
009	17410-ZE3-840	ELBOW COMP., AIR CLEANER	1	
010	17470-ZE3-842	CASE COMP., PRE AIR CLEANER	1	
011	17475-ZE3-841	CAP, PRE AIR CLEANER	1	
012	17476-ZE3-841	GUIDE, PRE AIR CLEANER	1	
013	90142-MB0-000	SCREW, PAN, 5X16.5	5	
<u>Ref</u>	<u>Partnumber</u>	<u>Description</u>	<u>GX270</u>	<u>Serial Numbers</u>
016	90325-044-000	NUT, TOOL BOX SETTING	2	
017	90009-ZE2-003	BOLT-WASHER, 6X22	1	
018	94050-06000	NUT, FLANGE, 6MM	2	



Ref	Partnumber	Description	GX270	Serial Numbers
002	18310-ZE2-W61	MUFFLER COMP. (100DB)	1	
003	18320-ZE2-W61	PROTECTOR COMP., MUFFLER	1	
005	18330-ZH9-N00	PIPE, EX.	1	
007	18333-ZF6-W01	GASKET, EX. PIPE	1	
008	18355-ZE2-W00	ARRESTER, SPARK	(1)	
009	18381-ZE2-W10	GASKET, MUFFLER (ARRESTER) (NIPPON LEAKL	(1)	
010	18381-ZE2-800	GASKET, MUFFLER (NIPPON LEAKLESS)	1	
019	90050-ZE1-000	SCREW, TAPPING, 5X8	4	
026	90006-ZE2-000	SCREW, TAPPING, 6X10	1	
027	94050-08000	NUT, FLANGE, 8MM	5	
031	90055-ZE1-000	SCREW, TAPPING, 4X6	(1)	

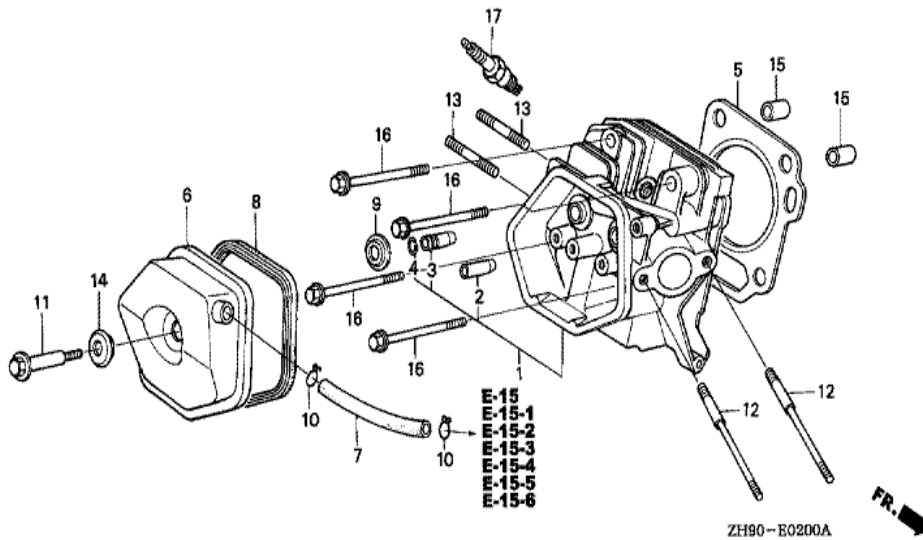


Ref	Partnumber	Description	GX270	Serial Numbers
001	16854-ZH8-000	RUBBER, SUPPORTER (107MM)	1	
002	16955-ZE1-000	JOINT, FUEL TANK	1	
003	17500-ZE2-811ZA	TANK ASSY., FUEL (GAUGE) *NH31 *	1	2205487
003	17500-ZE2-812ZA	TANK ASSY., FUEL (GAUGE) *NH31 *	1	2205488 2399494
003	17500-ZE2-813ZA	TANK ASSY., FUEL (GAUGE) *NH31 *	1	2399495
004	17505-ZE2-013	GAUGE ASSY., FUEL	1	
007	17620-ZH7-023	CAP COMP., FUEL FILLER (BLACK)	1	2118570
010	17672-880-000	FILTER, FUEL	1	
011	17673-893-000	HOLDER, FUEL FILTER	1	
012	91353-671-004	O-RING, 14MM (NOK)	1	
013	93600-050100A	SCREW, FLAT, 5X10	2	
014	94050-08000	NUT, FLANGE, 8MM	2	
015	95001-4522240	TUBE, FUEL, 4.5X222 (95001-45001-60M)	1	
Ref	Partnumber	Description	GX270	Serial Numbers
016	95002-02080	CLIP, TUBE (B8)	2	
017	95701-0802500	BOLT, FLANGE, 8X25	2	
022	17631-ZH7-003	PACKING, FUEL FILLER CAP (39X58X3)	1	2118570
023	17620-Z0T-305	CAP COMP., FUEL FILLER (CHROME PLATED)	1	2118571
024	17631-Z0T-812	PACKING, FUEL FILLER CAP (39X62X3) (TOUY)	1	2118571



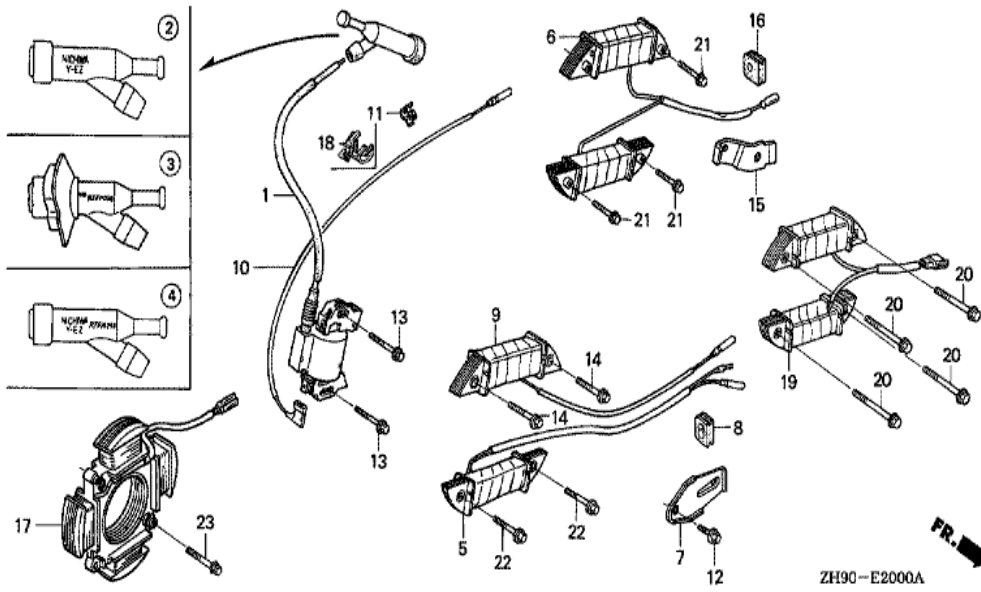
ZH90-E1900A

Ref	Partnumber	Description	GX270	Serial Numbers
001	19511-ZE2-000	FAN, COOLING	1	
003	28450-ZE2-W11	PULLEY COMP., STARTER (SCREEN GRID)	1	
008	90201-ZE3-V00	NUT, SPECIAL, 16MM	1	
009	90741-ZE2-000	KEY, SPECIAL WOODRUFF, 25X18	1	
011	31100-ZE2-832	FLYWHEEL COMP. (4POLE)	1	



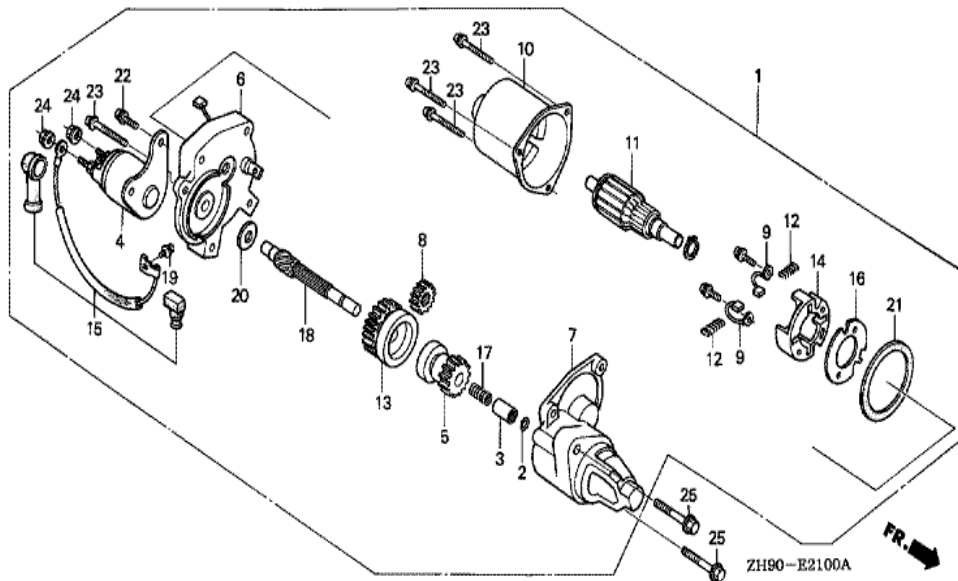
Ref	Partnumber	Description	GX270	Serial Numbers
001	12200-ZH9-405	HEAD COMP., CYLINDER	1	
002	12204-ZE2-306	GUIDE, IN. VALVE (O.S.)	(1)	
003	12205-ZE2-305	GUIDE, EX. VALVE (OS)	(1)	
004	12216-ZE2-300	CLIP, VALVE GUIDE	1	
005	12251-ZH9-000	GASKET, CYLINDER HEAD	1	
006	12310-ZE3-791	COVER COMP., HEAD (BREATHER TUBE JOINT)	1	
007	12315-ZE3-840	TUBE, BREATHER	1	
008	12391-ZE2-020	PACKING, HEAD COVER	1	
009	14775-ZE2-010	SEAT, VALVE SPRING	1	
010	17316-611-000	CLIP, BREATHER TUBE	2	
011	90014-ZE2-000	BOLT, HEAD COVER	1	
012	90042-ZE2-000	BOLT, STUD, 8X123	2	
013	92900-080320E	BOLT, STUD, 8X32	2	
Ref	Partnumber	Description	GX270	Serial Numbers
014	90441-ZE2-010	WASHER COMP., HEAD COVER	1	
015	94301-12200	DOWEL PIN, 12X20	2	
016	95725-1008000	BOLT, FLANGE, 10X80	4	
017	98079-55846	PLUG, SPARK (BPR5ES) (NGK)	(1)	
017	98079-55855	PLUG, SPARK (W16EPR-U) (DENSO)	(1)	
017	98079-56846	PLUG, SPARK (BPR6ES) (NGK)	1	
017	98079-56855	PLUG, SPARK (W20EPR-U) (DENSO)	1	



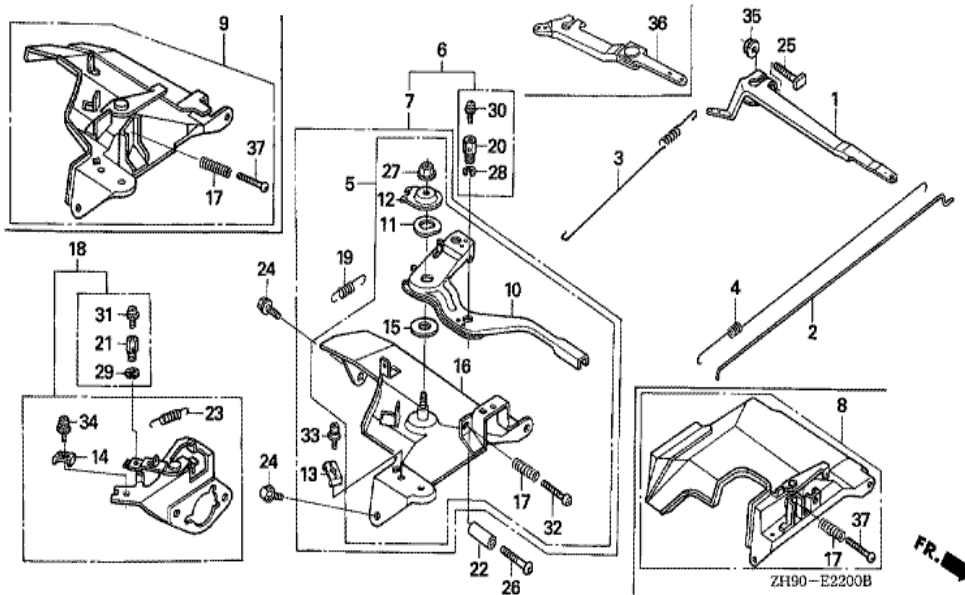


ZH90-E2000A

Ref	Partnumber	Description	GX270	Serial Numbers
001	30500-ZF6-W02	COIL ASSY., IGNITION	1	
004	30700-ZE1-013	CAP ASSY., NOISE SUPPRESSOR (NICHIIWA Y-E	1	
007	31511-ZE2-000	CLAMPER, CORD	1	
008	31512-ZE2-000	GROMMET, CORD	1	
010	36101-ZE1-010	CORD, STOP SWITCH (370MM)	1	
012	90013-883-000	BOLT, FLANGE, 6X12 (CT200)	1	
013	90015-883-000	BOLT, FLANGE, 6X28 (CT200)	2	
019	31630-ZE2-861	COIL ASSY., CHARGE (10A)	1	
020	90017-883-000	BOLT, FLANGE, 6X32 (CT200)	4	



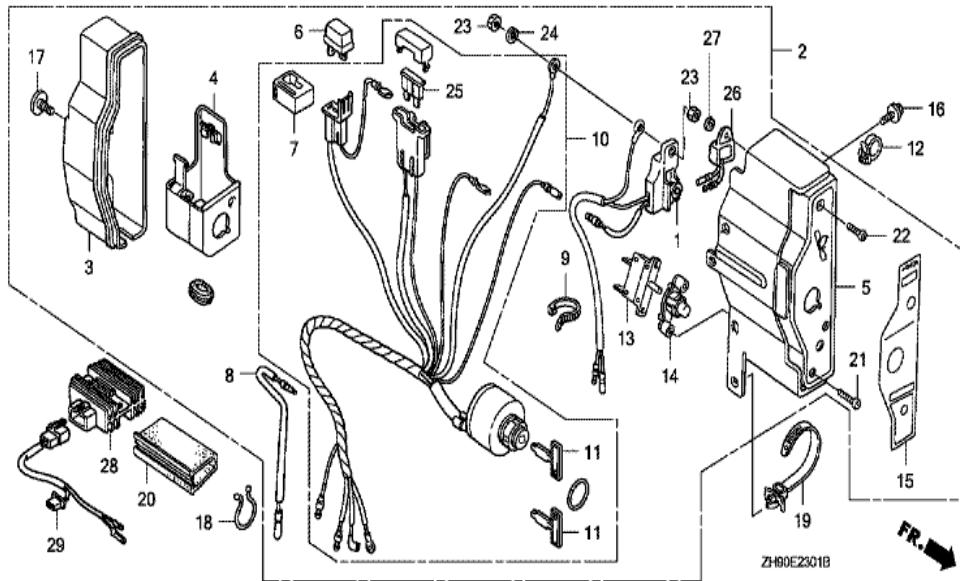
<u>Ref</u>	<u>Partnumber</u>	<u>Description</u>	<u>GX270</u>	<u>Serial Numbers</u>
001	31200-ZH9-003	MOTOR ASSY., STARTER	1	
002	31201-ZA1-003	RING, SNAP	1	
003	31202-ZA1-003	COLLAR, CLUTCH STOP	1	
004	31204-ZA0-003	CONTACTOR ASSY.	1	
005	31207-ZH9-003	CLUTCH COMP., OVERRUNNING	1	
006	31211-ZE2-003	BRACKET, CENTER	1	
007	31212-ZE2-003	BRACKET, FR.	1	
008	31213-ZE2-003	GEAR, DRIVE PINION	1	
009	31215-ZE2-003	BRUSH	2	
010	31216-ZE2-003	YOKE COMP.	1	
011	31217-ZE2-003	ARMATURE COMP.	1	
012	31219-ZE2-003	SPRING, BRUSH RETURN	4	
013	31222-ZE3-791	GEAR, REDUCTION	1	
<u>Ref</u>	<u>Partnumber</u>	<u>Description</u>	<u>GX270</u>	<u>Serial Numbers</u>
014	31231-ZE2-003	HOLDER, BRUSH	1	
015	31232-ZE3-003	WIRE, WATER COVER	1	
016	31233-ZE2-003	INSULATOR	1	
017	31244-ZH9-003	SPRING	1	
018	31245-ZH9-003	SHAFT	1	
019	90110-ZE2-003	SCREW-WASHER, 4X6	1	
020	90403-ZH9-003	WASHER, SK	1	
021	91601-ZE2-003	PACKING	1	
022	90007-ZE2-003	BOLT-WASHER, 5X14	2	
023	93892-0503218	SCREW-WASHER, 5X32	4	
024	94070-06080	NUT-WASHER, 6MM	2	
025	95701-0804000	BOLT, FLANGE, 8X40	2	



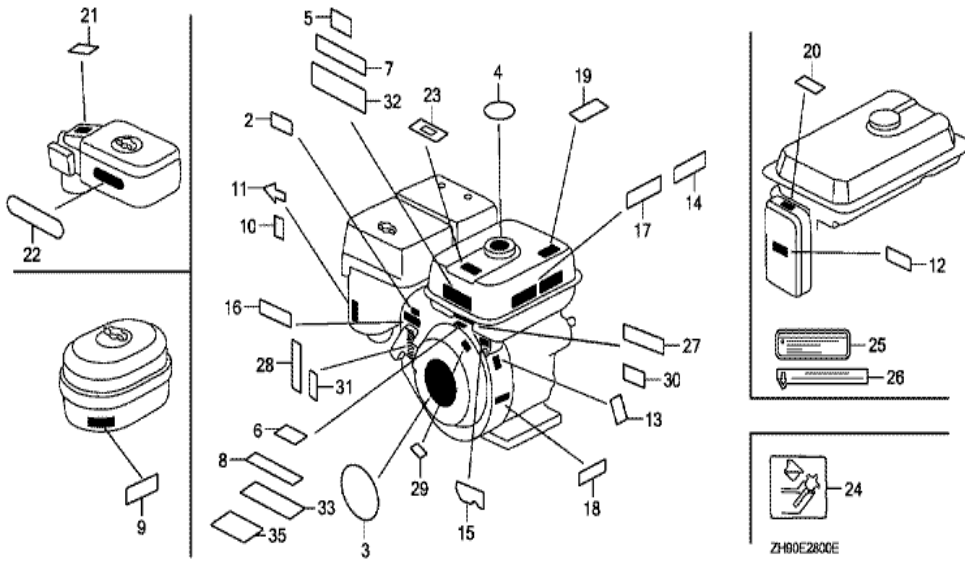
FR. →

ZH90-E2200B

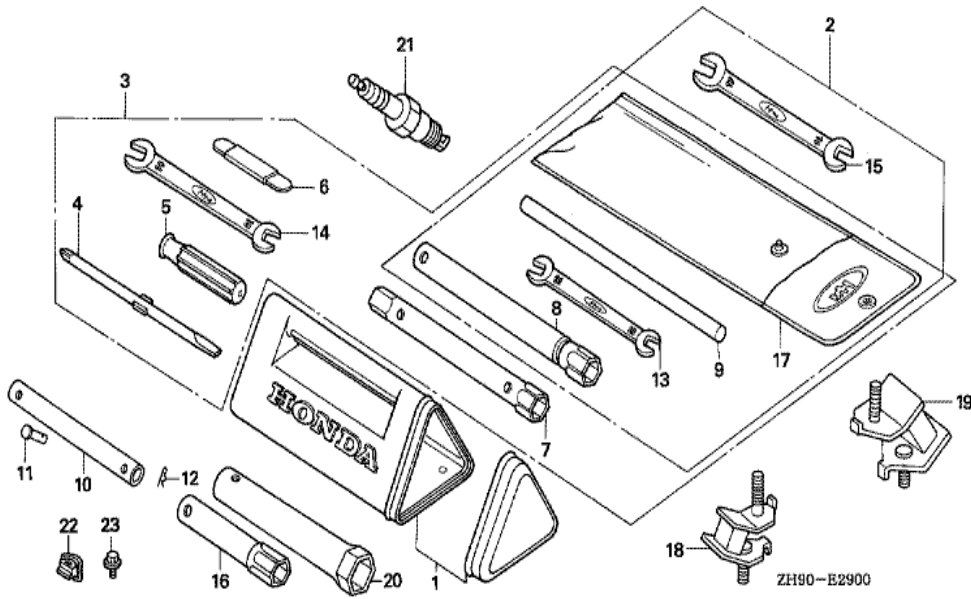
Ref	Partnumber	Description	GX270	Serial Numbers
001	16551-ZE2-000	ARM, GOVERNOR	1	
002	16555-ZE2-000	ROD, GOVERNOR	1	
003	16561-ZE2-000	SPRING, GOVERNOR (L=145.0MM) (WIRE DIAME	1	
004	16562-ZE2-000	SPRING, THROTTLE RETURN	1	
007	16570-ZE2-W20	CONTROL ASSY. (REMOTE)	1	
010	16571-ZE2-W00	LEVER, CONTROL	1	
011	16574-ZE1-000	SPRING, LEVER	1	
012	16575-ZE2-W00	WASHER, CONTROL LEVER	1	
013	16576-891-000	HOLDER, CABLE	1	
015	16578-ZE1-000	SPACER, CONTROL LEVER	1	
016	16581-ZE2-W00	BASE COMP., CONTROL (###)	1	
017	16584-883-300	SPRING, CONTROL ADJUSTING	1	
019	16592-883-310	SPRING, CABLE RETURN	1	
Ref	Partnumber	Description	GX270	Serial Numbers
024	90013-883-000	BOLT, FLANGE, 6X12 (CT200)	2	
025	90015-ZE5-010	BOLT, GOVERNOR ARM	1	
027	90114-SA0-000	NUT, SELF-LOCK, 6MM	1	
032	93500-050280A	SCREW, PAN, 5X28	1	
033	93500-050160A	SCREW, PAN, 5X16	1	
035	94050-06000	NUT, FLANGE, 6MM	1	



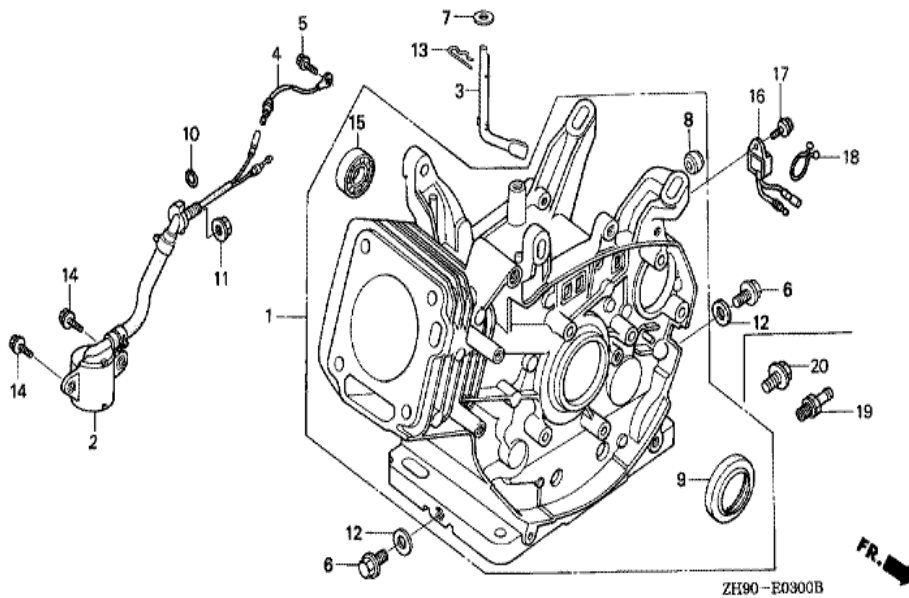
Ref	Partnumber	Description	GX270	Serial Numbers
002	31610-ZE2-874ZB	BOX ASSY., CONTROL (10A) *R8 *	1	
003	31612-ZE2-003	CASE, CONTROL	1	
004	31614-ZE2-003	BRACKET, CASE MOUNTING	1	
005	31615-ZE2-003ZB	PANEL COMP., CONTROL *R8 *	1	2080508
005	31615-ZE2-003ZG	PANEL COMP., CONTROL *R280 *	1	2080509
008	32197-ZE1-003	HARNESS, SUB WIRE	1	
009	32902-892-003	BAND	1	
010	35100-ZE2-862	SWITCH ASSY., COMBINATION (10A-CHARGE)	1	
011	35111-880-003	KEY COMP.	2	
012	36103-ZE1-000	HOLDER, STOP SWITCH CORD	1	
015	87529-ZE2-860	MARK, CONTROL BOX (EXTERNAL-REGULATOR)	1	2165395
015	87529-ZE2-861	MARK, CONTROL BOX (EXTERNAL-REGULATOR)	1	2165396
016	90013-883-000	BOLT, FLANGE, 6X12 (CT200)	2	
Ref	Partnumber	Description	GX270	Serial Numbers
017	90380-MA6-010	SCREW, SPECIAL, 6X12	1	
018	90630-751-000	CLIP, PURSE LOCK	1	
019	90672-SAO-003	STRAP, CABLE, 118MM (BLACK)	1	
020	91406-ZE2-003	TUBE, FASTENER, 30MM	1	
022	93500-040120H	SCREW, PAN, 4X12	1	
023	94001-043900S	NUT, HEX., 4MM	2	
024	94111-04800	WASHER, SPRING, 4MM	1	
025	98200-31500	FUSE, BLADE (15A)	1	
026	34150-ZH7-003	ALERT UNIT, OIL	1	
027	94101-04800	WASHER, PLAIN, 4MM	1	



Ref	Partnumber	Description	GX270	Serial Numbers
003	87521-ZH9-020	EMBLEM (GX270 9.0)	1	2082940
003	87521-ZH9-030	EMBLEM (GX270 9.0)	1	2082941
007	87522-ZH9-010	LABEL, CAUTION (ENGLISH, ETC.)	1	
010	87528-ZE2-810	MARK, CHOKE (ORANGE)	1	
017	87532-ZH8-810	MARK, OIL ALERT (ENGLISH)	1	
021	87534-ZE1-841	LABEL, AIR CLEANER CAUTION	1	
022	87535-ZE1-840	MARK, AIR CLEANER SALES POINT	1	
023	87565-ZE2-810	MARK, FUEL INDICATION (ENGLISH)	1	



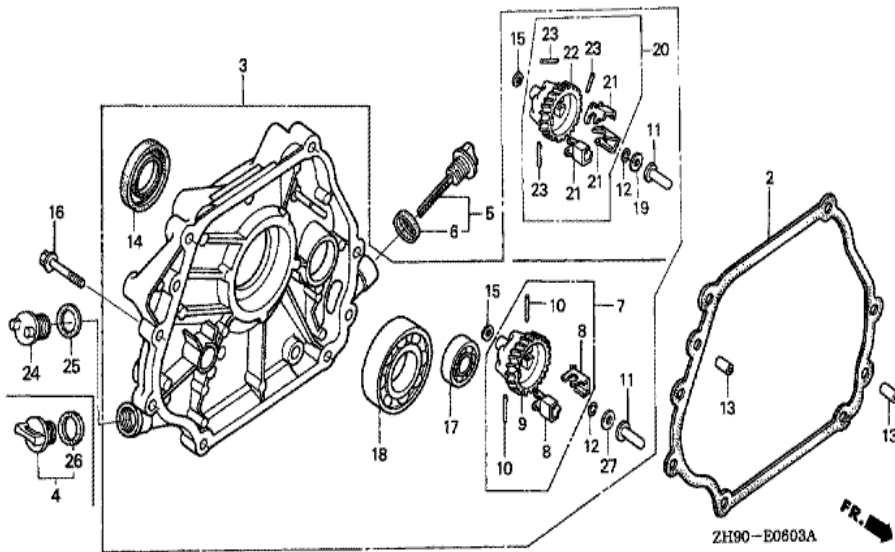
Ref	Partnumber	Description	GX270	Serial Numbers
008	89218-ZE1-000	WRENCH COMP., SPARK PLUG	1	



ZH90-E0300B

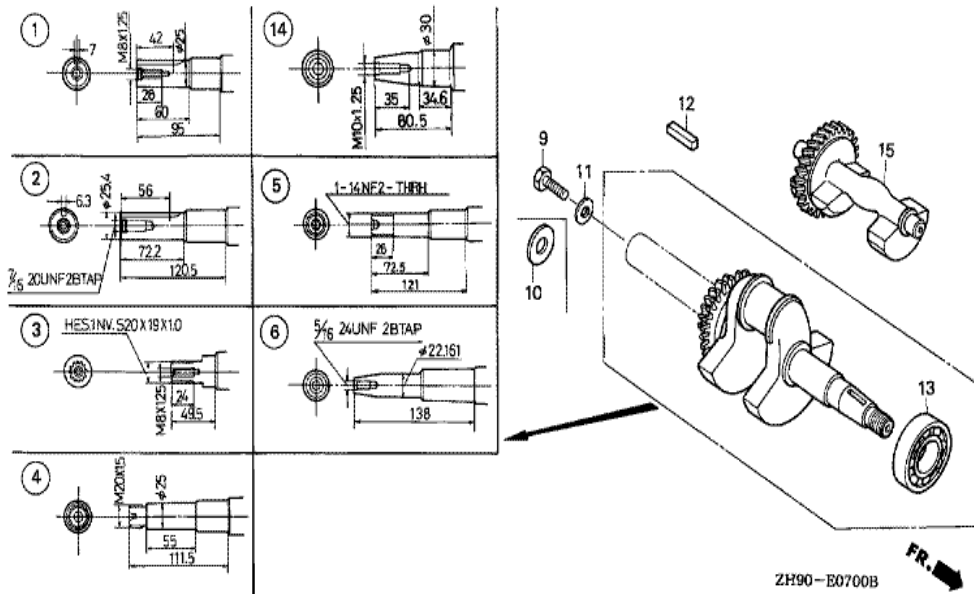
FR. →

Ref	Partnumber	Description	GX270	Serial Numbers
001	12000-ZH9-Q10	BARREL ASSY., CYLINDER (BALANCER+SELFSTA	1	
002	15510-ZE2-043	SWITCH ASSY., OIL LEVEL	1	
003	16541-ZE2-010	SHAFT, GOVERNOR ARM	1	
006	90131-883-000	BOLT, DRAIN PLUG, 12X15	2	
007	90446-KE1-000	WASHER, 8.2X17X0.8	1	
009	91201-890-003	OIL SEAL, 30X46X8	1	
010	91353-671-004	O-RING, 14MM (NOK)	1	
011	94050-10000	NUT, FLANGE, 10MM	1	
012	94109-12000	WASHER, DRAIN PLUG, 12MM	2	
013	94251-10000	PIN, LOCK, 10MM	1	
014	95701-0601200	BOLT, FLANGE, 6X12	2	
015	96100-6202000	BEARING, RADIAL BALL, 6202	1	

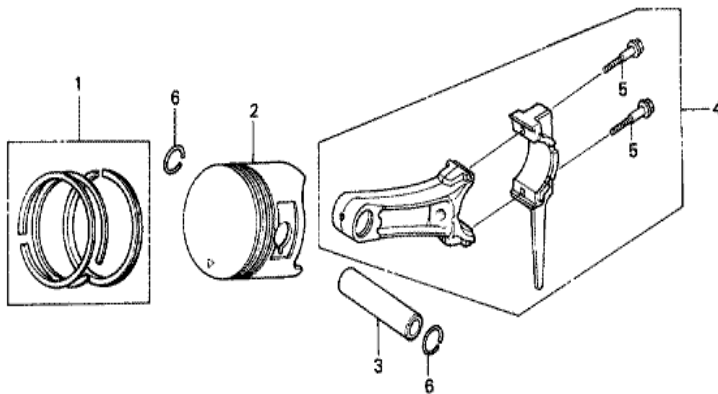


Ref	Partnumber	Description	GX270	Serial Numbers
002	11381-ZE2-801	PACKING, CASE COVER	1	
003	11400-ZE2-603	COVER ASSY., CRANKCASE	1	
004	15600-ZG4-003	CAP ASSY., OIL FILLER	1	
005	15600-735-003	CAP ASSY., OIL FILLER	1	
006	15625-ZE1-003	PACKING, OIL FILLER CAP	1	
007	16510-ZE2-811	GOVERNOR ASSY.	1	
008	16511-ZE2-000	WEIGHT, GOVERNOR	2	
009	16512-ZE2-811	HOLDER, GOVERNOR WEIGHT	1	
010	16513-ZE2-000	PIN, GOVERNOR WEIGHT	2	
011	16531-Z0A-000	SLIDER, GOVERNOR	1	
012	90602-ZE1-000	CLIP, GOVERNOR HOLDER	1	
013	90701-HC4-000	DOWEL PIN, 8X12	2	
014	91201-890-003	OIL SEAL, 30X46X8	1	
Ref	Partnumber	Description	GX270	Serial Numbers
015	94101-06800	WASHER, PLAIN, 6MM	1	
016	95701-0803500	BOLT, FLANGE, 8X35	7	
017	96100-6202000	BEARING, RADIAL BALL, 6202	1	
018	96100-6206000	BEARING, RADIAL BALL, 6206	1	
026	15625-ZE1-003	PACKING, OIL FILLER CAP	1	





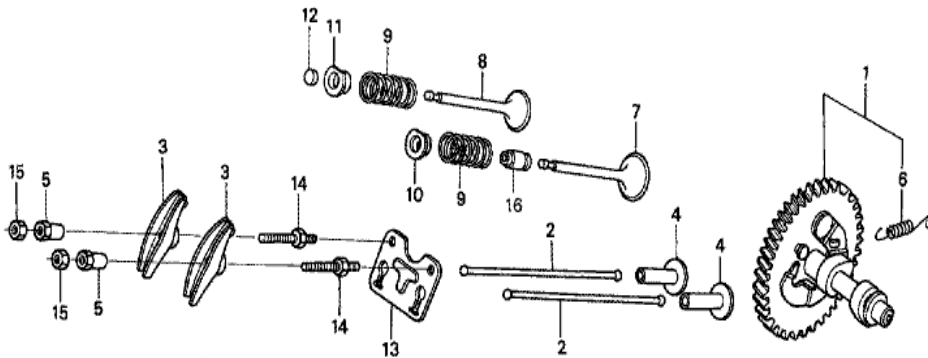
Ref	Partnumber	Description	GX270	Serial Numbers
002	13310-ZH9-810	CRANKSHAFT COMP.	1	2400731
002	13310-ZH9-811	CRANKSHAFT COMP.	1	2400732
012	90745-ZE2-600	KEY, 6.3X6.3X43	1	
013	91001-ZH9-003	BEARING, RADIAL BALL (6206 SH)	1	
015	13351-ZE2-010	WEIGHT, BALANCER	1	



ZH90-E0800A



<u>Ref</u>	<u>Partnumber</u>	<u>Description</u>	<u>GX270</u>	<u>Serial Numbers</u>
001	13010-ZE8-601	RING SET, PISTON (STD.) (NIPPON)	1	
001	13010-ZE8-602	RING SET, PISTON (STD.) (TEIKOKU)	1	
001	13011-ZE8-601	RING SET, PISTON (0.25) (NIPPON)	(1)	
001	13011-ZE8-602	RING SET, PISTON (0.25) (TEIKOKU)	(1)	
001	13012-ZE8-601	RING SET, PISTON (0.50) (NIPPON)	(1)	
001	13012-ZE8-602	RING SET, PISTON (0.50) (TEIKOKU)	(1)	
001	13013-ZE8-601	RING SET, PISTON (0.75) (NIPPON)	(1)	
001	13013-ZE8-602	RING SET, PISTON (0.75) (TEIKOKU)	(1)	
002	13101-ZH9-000	PISTON (STD.)	1	
002	13102-ZH9-000	PISTON (0.25)	(1)	
002	13103-ZH9-000	PISTON (0.50)	(1)	
002	13104-ZH9-000	PISTON (0.75)	(1)	
003	13111-ZE2-000	PIN, PISTON	1	
<u>Ref</u>	<u>Partnumber</u>	<u>Description</u>	<u>GX270</u>	<u>Serial Numbers</u>
004	13200-ZE2-010	ROD ASSY., CONNECTING (STD.)	1	
004	13200-ZE2-305	ROD ASSY., CONNECTING (0.25 UNDER SIZE)	(1)	
005	90001-ZE8-000	BOLT, CONNECTING ROD	2	
006	90551-ZE1-000	CLIP, PISTON PIN, 18MM	2	



ZH90-E0900A



<u>Ref</u>	<u>Partnumber</u>	<u>Description</u>	<u>GX270</u>	<u>Serial Numbers</u>
001	14100-ZE3-020	CAMSHAFT ASSY.	1	
002	14410-ZE2-013	ROD, PUSH	2	
003	14431-ZE2-010	ARM, VALVE ROCKER	2	
004	14441-ZE2-000	LIFTER, VALVE	2	
005	14451-ZE1-013	PIVOT, ROCKER ARM	2	
006	14568-ZE1-000	SPRING, WEIGHT RETURN	1	
007	14711-ZE2-000	VALVE, IN.	1	
008	14721-ZE2-000	VALVE, EX.	1	
009	14751-ZE2-003	SPRING, VALVE	2	
010	14771-ZE2-000	RETAINER, IN. VALVE SPRING	1	
011	14773-ZE2-000	RETAINER, EX. VALVE SPRING	1	
012	14781-ZE2-000	ROTATOR, VALVE	1	
013	14791-ZE2-010	GUIDE, PUSH ROD	1	
<u>Ref</u>	<u>Partnumber</u>	<u>Description</u>	<u>GX270</u>	<u>Serial Numbers</u>
014	90012-ZE0-010	BOLT, PIVOT, 8MM	2	
015	90206-ZE1-000	NUT, PIVOT ADJUSTING	2	
016	12209-ZE8-003	SEAL, VALVE STEM	1	