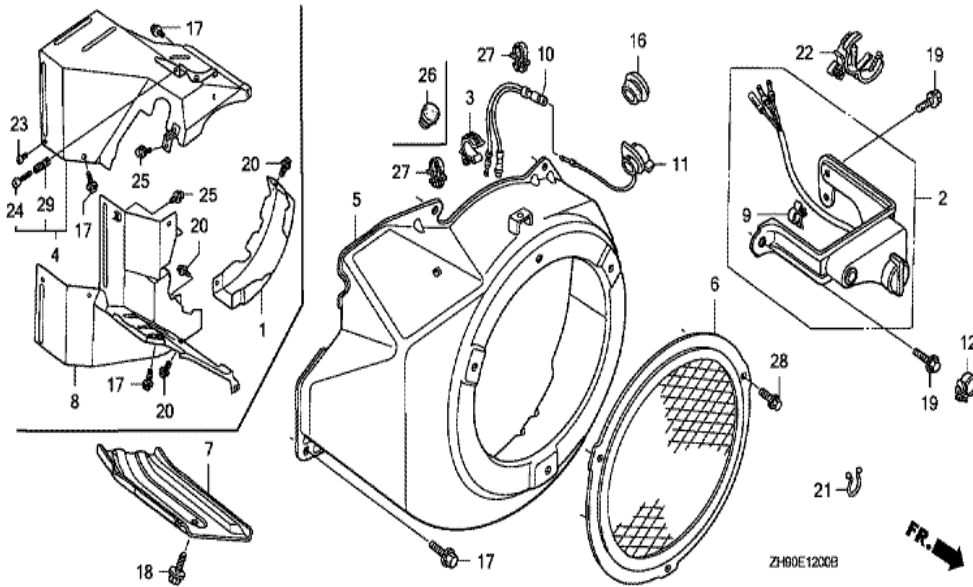




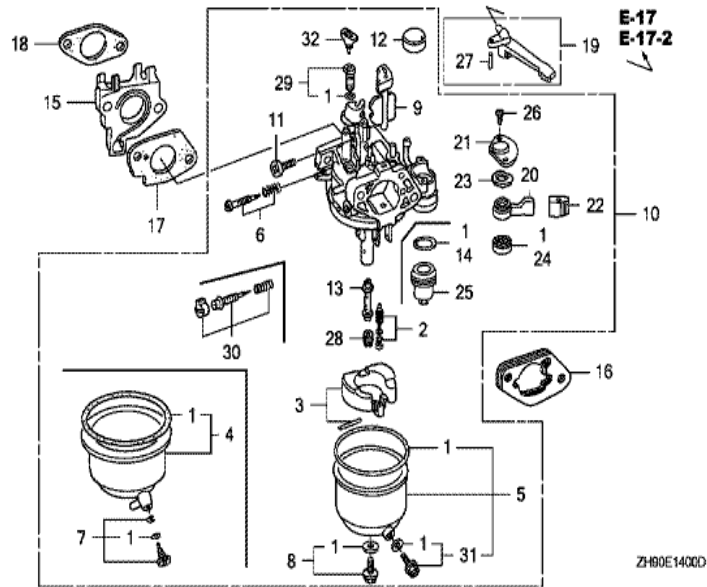
ZH90-E11008



| Ref | Partnumber      | Description                      | GX270 | Serial Numbers |
|-----|-----------------|----------------------------------|-------|----------------|
| 001 | 28400-ZE2-W01ZA | STARTER ASSY., RECOIL *R8 *      | 1     |                |
| 002 | 28410-ZE2-W01ZA | CASE COMP., RECOIL STARTER *R8 * | 1     |                |
| 003 | 28421-ZE2-W01   | PULLEY, RECOIL STARTER           | 1     |                |
| 004 | 28422-ZE2-W01   | RATCHET, STARTER                 | 2     |                |
| 005 | 28441-ZE2-W01   | SPRING, FRICTION                 | 1     |                |
| 006 | 28442-ZE2-W01   | SPRING, STARTER RETURN           | 1     |                |
| 007 | 28443-ZE2-W01   | SPRING, RATCHET                  | 2     |                |
| 008 | 28444-ZE2-W01   | RETAINER, SPRING                 | 1     |                |
| 010 | 28461-ZE2-W02   | GRIP, STARTER                    | 1     |                |
| 011 | 28462-ZE2-W01   | ROPE, RECOIL STARTER             | 1     |                |
| 012 | 28469-ZE2-W01   | REINFORCEMENT, GRIP              | 1     |                |
| 013 | 90004-ZE2-W01   | SCREW, CENTER                    | 1     |                |
| 014 | 95701-0600800   | BOLT, FLANGE, 6X8                | 3     |                |



| Ref | Partnumber      | Description                   | GX270 | Serial Numbers  |
|-----|-----------------|-------------------------------|-------|-----------------|
| 002 | 15520-ZE2-003   | ALERT UNIT, OIL / SWITCH,     | 1     | 1033679         |
| 003 | 16731-ZE2-003   | CLIP, TUBE                    | 1     |                 |
| 005 | 19610-ZE2-010ZA | COVER COMP., FAN *R8 *        | 1     |                 |
| 007 | 19631-ZE2-D00   | SHROUD                        | 1     |                 |
| 009 | 30701-883-000   | CLIP, HIGH TENSION CORD (8MM) | 1     | 1033679         |
| 010 | 32197-ZH8-003   | SUB HARNESS                   | 1     | 1033680 1225386 |
| 011 | 36100-ZE1-015   | SWITCH ASSY., ENGINE STOP     | 1     | 1033680 1225386 |
| 011 | 36100-ZH7-003   | SWITCH ASSY., ENGINE STOP     | 1     | 1225387         |
| 016 | 81329-567-020   | GROMMET, DRAIN HOLE           | 1     | 1033679         |
| 018 | 90013-883-000   | BOLT, FLANGE, 6X12 (CT200)    | 1     |                 |
| 019 | 90013-883-000   | BOLT, FLANGE, 6X12 (CT200)    | 2     | 1033679         |
| 022 | 90684-ZA0-601   | CLIP, HARNESS                 | 1     |                 |



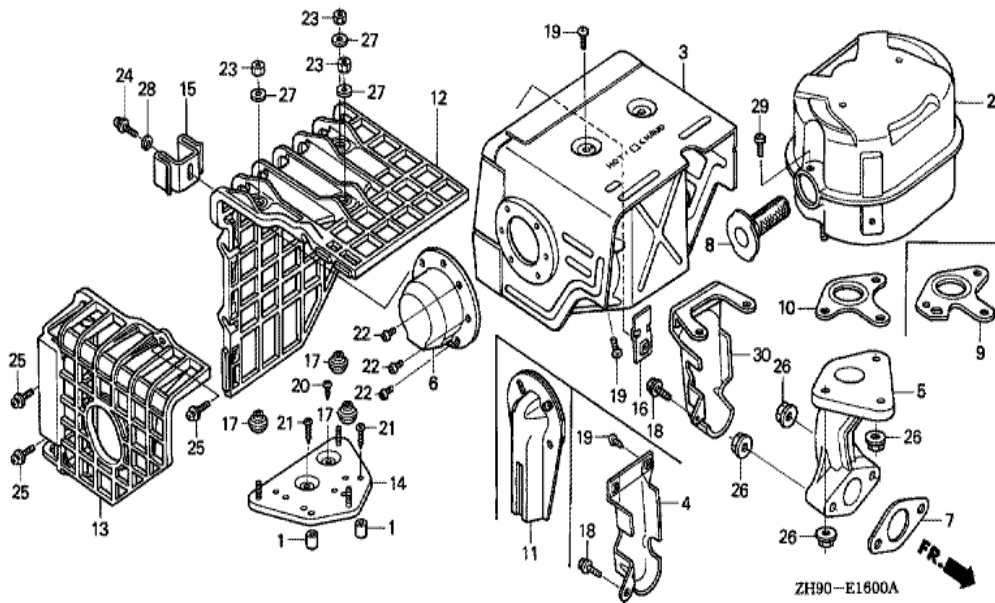
| Ref | Partnumber    | Description                | GX270 | Serial Numbers |
|-----|---------------|----------------------------|-------|----------------|
| 001 | 16010-ZE2-015 | GASKET SET                 | 1     |                |
| 002 | 16011-ZA0-931 | VALVE SET, FLOAT           | 1     |                |
| 003 | 16013-ZA0-931 | FLOAT SET                  | 1     |                |
| 005 | 16015-ZE8-005 | CHAMBER SET, FLOAT         | 1     |                |
| 006 | 16016-ZA0-931 | SCREW SET, PILOT           | 1     |                |
| 008 | 16028-ZE0-005 | SCREW SET                  | 1     |                |
| 009 | 16044-ZE2-005 | CHOKE SET                  | 1     |                |
| 010 | 16100-ZH9-820 | CARBURETOR ASSY. (BE21A B) | 1     | 1173689        |
| 010 | 16100-ZH9-821 | CARBURETOR ASSY. (BE21A C) | 1     | 1173690        |
| 011 | 16124-ZE0-005 | SCREW, THROTTLE STOP       | 1     |                |
| 013 | 16166-ZH9-820 | NOZZLE, MAIN               | 1     |                |
| 014 | 16173-001-004 | PACKING, FUEL STRAINER CUP | 1     |                |
| 015 | 16211-ZE2-000 | INSULATOR, CARBURETOR      | 1     |                |

| <u>Ref</u> | <u>Partnumber</u> | <u>Description</u>        | <u>GX270</u> | <u>Serial Numbers</u> |
|------------|-------------------|---------------------------|--------------|-----------------------|
| 016        | 16220-ZA0-702     | SPACER COMP., CARBURETOR  | 1            |                       |
| 017        | 16221-ZA0-800     | PACKING, CARBURETOR       | 1            |                       |
| 018        | 16223-ZA0-800     | PACKING, INSULATOR        | 1            |                       |
| 019        | 16610-ZE1-000     | LEVER COMP., CHOKE (STD.) | 1            |                       |
| 020        | 16953-ZE1-811     | LEVER, COCK               | 1            | BE21A B               |
| 020        | 16953-ZE1-812     | LEVER, COCK               | 1            | BE21A C               |
| 021        | 16954-ZE1-812     | PLATE, LEVER SETTING      | 1            |                       |
| 023        | 16956-ZE1-811     | SPRING, COCK LEVER        | 1            |                       |
| 024        | 16957-ZE1-812     | PACKING, FUEL COCK        | 1            |                       |
| 025        | 16967-ZE0-811     | CUP, FUEL STRAINER        | 1            |                       |
| 026        | 93500-030061H     | SCREW, PAN, 3X6           | 2            | BE21A C               |
| 026        | 93500-030081G     | SCREW, PAN, 3X8           | 2            | BE21A B               |
| 027        | 94305-20122       | PIN, SPRING, 2X12         | 1            |                       |
| 028        | 99101-ZF50820     | JET, MAIN, #82            | (1)          | BE21A B               |
| 028        | 99101-ZF50820     | JET, MAIN, #82            | (1)          | BE21A B               |
| 028        | 99101-ZF50850     | JET, MAIN, #85            | (1)          | BE21A B               |
| 028        | 99101-ZF50880     | JET, MAIN, #88            | 1            | BE21A B               |
| 028        | 99101-ZH80820     | JET, MAIN, #82            | (1)          | BE21A C               |
| 028        | 99101-ZH80850     | JET, MAIN, #85            | (1)          | BE21A C               |
| 028        | 99101-ZH80880     | JET, MAIN, #88            | 1            | BE21A C               |
| 029        | 99204-ZE00400     | JET SET, PILOT, #40       | 1            | BE21A C               |



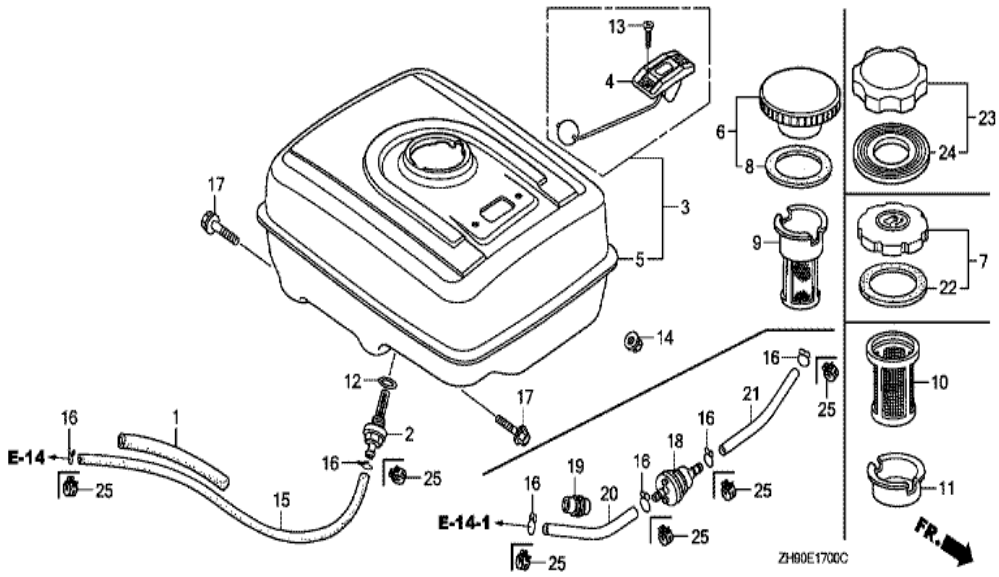
ZH90-E1502A

| Ref | Partnumber    | Description                            | GX270 | Serial Numbers  |
|-----|---------------|--|-------|-----------------|
| 001 | 16271-ZE2-000 | PACKING, ELBOW                         | 1     |                 |
| 002 | 17210-ZE2-822 | ELEMENT, AIR CLEANER (DUAL)            | 1     |                 |
| 003 | 17218-ZE2-821 | FILTER, OUTER                          | 1     |                 |
| 005 | 17231-ZH9-820 | COVER, AIR CLEANER                     | 1     |                 |
| 006 | 17232-891-000 | GROMMET, AIR CLEANER                   | 1     |                 |
| 007 | 17238-ZE2-310 | COLLAR, AIR CLEANER                    | 2     |                 |
| 008 | 17239-ZE1-000 | COLLAR B, AIR CLEANER                  | 1     |                 |
| 009 | 17410-ZE2-020 | ELBOW COMP., AIR CLEANER               | 1     |                 |
| 010 | 90201-415-000 | NUT, CAP, 6MM                          | 2     |                 |
| 011 | 90203-PB2-000 | NUT, AIR CLEANER COVER (DACRO COATING) | 1     | 1034589         |
| 011 | 90203-ZA0-800 | NUT, WING, 6MM (BLACK)                 | 1     | 1034590 1094660 |
| 012 | 90325-044-000 | NUT, TOOL BOX SETTING                  | 2     | 1094661         |
| 013 | 93494-0602008 | BOLT-WASHER, 6X20                      | 1     |                 |



ZH90-E1600A

| Ref | Partnumber    | Description                              | GX270 | Serial Numbers |
|-----|---------------|--|-------|----------------|
| 002 | 18310-ZE2-W00 | MUFFLER COMP.                            | 1     |                |
| 003 | 18320-ZE2-W01 | PROTECTOR COMP., MUFFLER (STD.)          | 1     |                |
| 004 | 18323-ZE2-W00 | PROTECTOR, EX. PIPE                      | 1     |                |
| 005 | 18330-ZE2-W00 | PIPE, EX.                                | 1     |                |
| 006 | 18331-ZE2-810 | CAP, MUFFLER                             | 1     |                |
| 007 | 18333-ZE3-800 | GASKET, EX. PIPE                         | 1     |                |
| 008 | 18355-ZE2-010 | ARRESTER, SPARK                          | 1     |                |
| 009 | 18381-ZE2-W10 | GASKET, MUFFLER (ARRESTER) (NIPPON LEAKL | 1     |                |
| 018 | 90013-883-000 | BOLT, FLANGE, 6X12 (CT200)               | 1     |                |
| 019 | 90050-ZE1-000 | SCREW, TAPPING, 5X8                      | 6     |                |
| 022 | 90055-ZE1-000 | SCREW, TAPPING, 4X6                      | 3     |                |
| 026 | 94050-08000   | NUT, FLANGE, 8MM                         | 5     |                |
| 026 | 94050-08000   | NUT, FLANGE, 8MM                         | 5     | 1283257        |



| Ref | Partnumber    | Description                           | GX270 | Serial Numbers |
|-----|---------------|---------------------------------------|-------|----------------|
| 015 | 95001-4522240 | TUBE, FUEL, 4.5X222 (95001-45001-60M) | 1     |                |
| 016 | 95002-02080   | CLIP, TUBE (B8)                       | 2     |                |



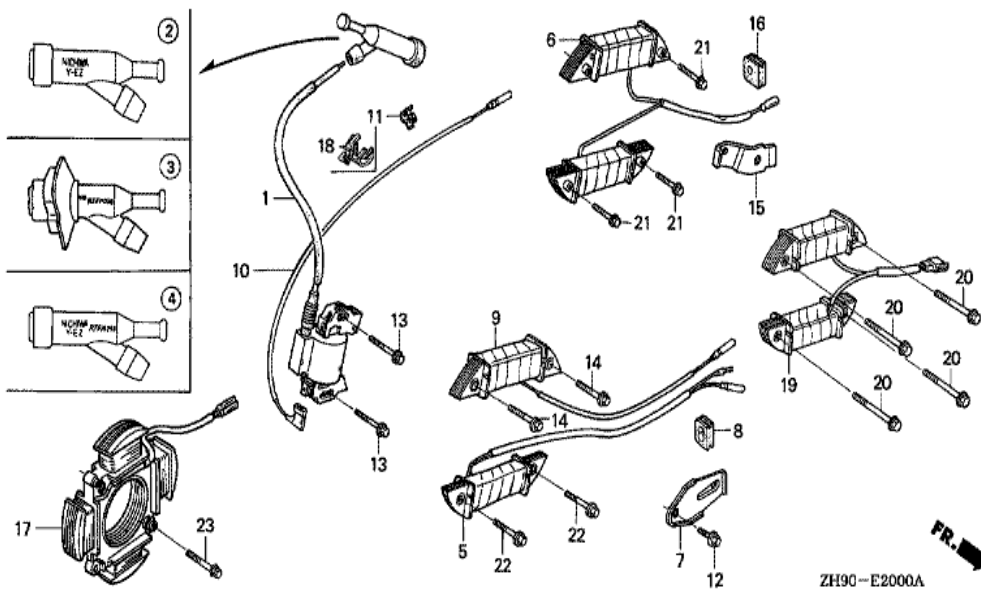
ZH90-E1900A

| Ref | Partnumber    | Description                         | GX270 | Serial Numbers |
|-----|---------------|-------------------------------------|-------|----------------|
| 001 | 19511-ZE2-000 | FAN, COOLING                        | 1     |                |
| 003 | 28450-ZE2-W11 | PULLEY COMP., STARTER (SCREEN GRID) | 1     |                |
| 005 | 31100-ZE2-010 | FLYWHEEL COMP.                      | 1     |                |
| 008 | 90201-ZE3-790 | NUT, SPECIAL, 16MM                  | 1     |                |
| 008 | 90201-ZE3-790 | NUT, SPECIAL, 16MM                  | 1     | 1180427        |
| 008 | 90201-ZE3-V00 | NUT, SPECIAL, 16MM                  | 1     | 1180428        |
| 009 | 90741-ZE2-000 | KEY, SPECIAL WOODRUFF, 25X18        | 1     |                |



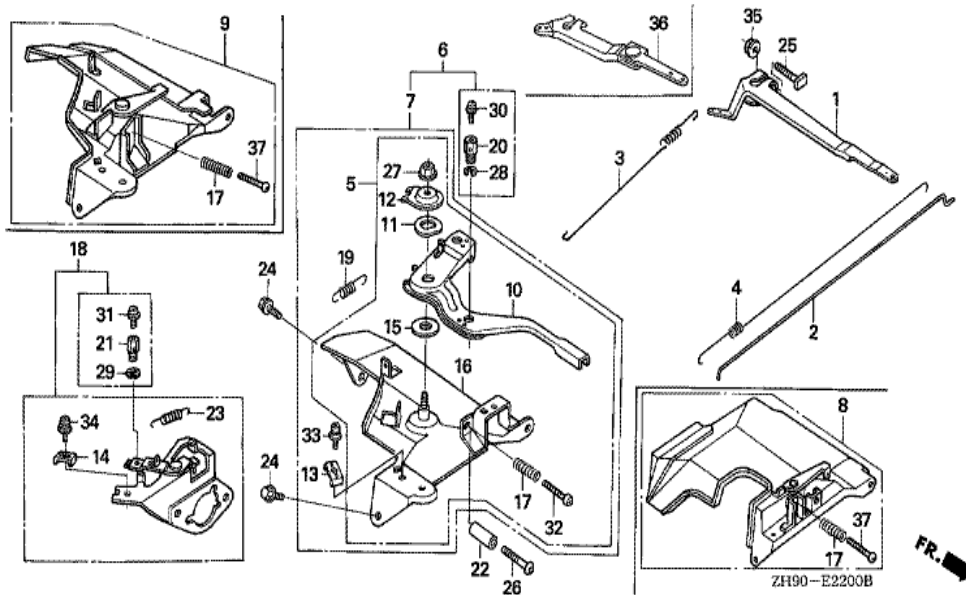


| Ref | Partnumber    | Description                    | GX270 | Serial Numbers |
|-----|---------------|--------------------------------|-------|----------------|
| 001 | 12200-ZH9-000 | HEAD COMP., CYLINDER           | 1     |                |
| 002 | 12204-ZE2-306 | GUIDE, IN. VALVE (O.S.)        | (1)   |                |
| 003 | 12205-ZE2-305 | GUIDE, EX. VALVE (OS)          | (1)   |                |
| 004 | 12216-ZE2-300 | CLIP, VALVE GUIDE              | 1     |                |
| 005 | 12251-ZH9-000 | GASKET, CYLINDER HEAD          | 1     |                |
| 006 | 12310-ZE2-010 | COVER COMP., HEAD              | 1     | 1046250        |
| 006 | 12310-ZE2-020 | COVER COMP., HEAD              | 1     | 1046251        |
| 007 | 95005-1110030 | TUBE, 11X100 (95005-11001-30M) | 1     | 1174911        |
| 007 | 95005-1110530 | TUBE, 11X105 (95005-11001-30M) | 1     | 1174910        |
| 008 | 12391-ZE2-020 | PACKING, HEAD COVER            | 1     |                |
| 009 | 14775-ZE2-010 | SEAT, VALVE SPRING             | 1     |                |
| 011 | 90014-ZE2-000 | BOLT, HEAD COVER               | 1     |                |
| 012 | 90042-ZE2-000 | BOLT, STUD, 8X123              | 2     |                |
| Ref | Partnumber    | Description                    | GX270 | Serial Numbers |
| 013 | 90047-ZE2-000 | BOLT, STUD, 8X47               | 2     |                |
| 014 | 90441-ZE2-010 | WASHER COMP., HEAD COVER       | 1     |                |
| 015 | 94301-12200   | DOWEL PIN, 12X20               | 2     |                |
| 016 | 95725-1008000 | BOLT, FLANGE, 10X80            | 4     |                |
| 017 | 98079-55846   | PLUG, SPARK (BPR5ES) (NGK)     | (1)   |                |
| 017 | 98079-55855   | PLUG, SPARK (W16EPR-U) (DENSO) | (1)   |                |
| 017 | 98079-56846   | PLUG, SPARK (BPR6ES) (NGK)     | 1     |                |
| 017 | 98079-56855   | PLUG, SPARK (W20EPR-U) (DENSO) | 1     |                |

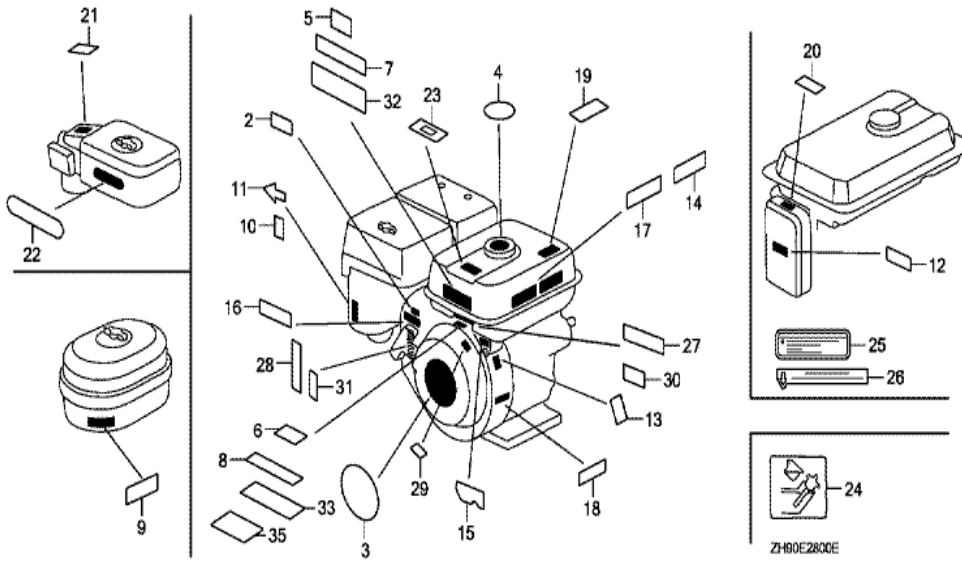


ZH90-E2000A

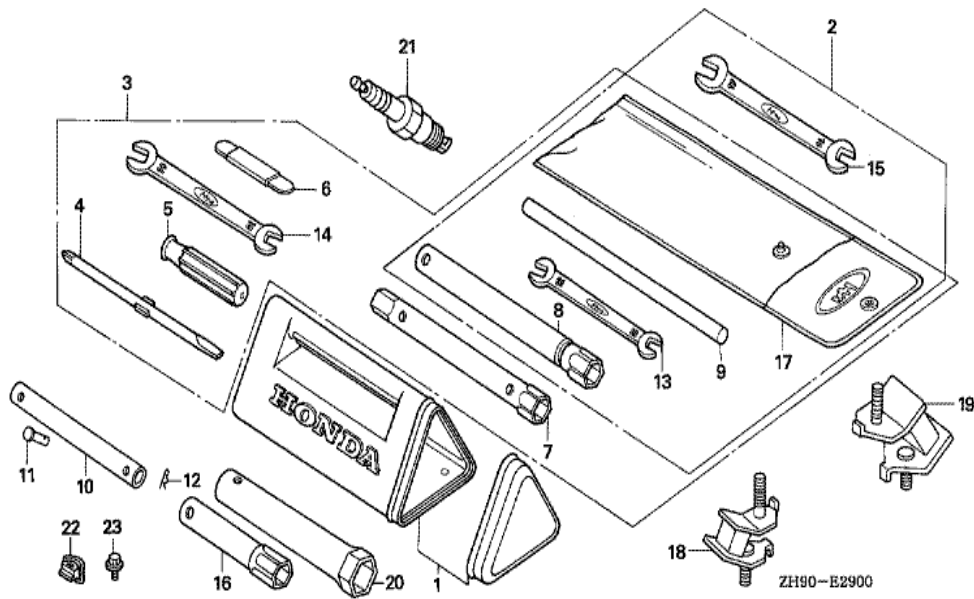
| Ref | Partnumber    | Description                               | GX270 | Serial Numbers |
|-----|---------------|---|-------|----------------|
| 001 | 30500-ZF6-W02 | COIL ASSY., IGNITION                      | 1     |                |
| 004 | 30700-ZE1-013 | CAP ASSY., NOISE SUPPRESSOR (NICHIIWA Y-E | 1     |                |
| 008 | 31512-ZE2-000 | GROMMET, CORD                             | 1     |                |
| 010 | 36101-ZE1-010 | CORD, STOP SWITCH (370MM)                 | 1     |                |
| 011 | 36103-ZE1-000 | HOLDER, STOP SWITCH CORD                  | 2     |                |
| 013 | 90015-883-000 | BOLT, FLANGE, 6X28 (CT200)                | 2     |                |



| Ref | Partnumber    | Description                              | GX270 | Serial Numbers |
|-----|---------------|--|-------|----------------|
| 001 | 16551-ZE2-000 | ARM, GOVERNOR                            | 1     |                |
| 002 | 16555-ZE2-000 | ROD, GOVERNOR                            | 1     |                |
| 003 | 16561-ZE2-000 | SPRING, GOVERNOR (L=145.0MM) (WIRE DIAME | 1     |                |
| 004 | 16562-ZE2-000 | SPRING, THROTTLE RETURN                  | 1     |                |
| 007 | 16570-ZE2-W20 | CONTROL ASSY. (REMOTE)                   | 1     |                |
| 010 | 16571-ZE2-W00 | LEVER, CONTROL                           | 1     |                |
| 011 | 16574-ZE1-000 | SPRING, LEVER                            | 1     |                |
| 012 | 16575-ZE2-W00 | WASHER, CONTROL LEVER                    | 1     |                |
| 013 | 16576-891-000 | HOLDER, CABLE                            | 1     |                |
| 015 | 16578-ZE1-000 | SPACER, CONTROL LEVER                    | 1     |                |
| 016 | 16581-ZE2-W00 | BASE COMP., CONTROL (###)                | 1     |                |
| 017 | 16584-883-300 | SPRING, CONTROL ADJUSTING                | 1     |                |
| 019 | 16592-883-310 | SPRING, CABLE RETURN                     | 1     |                |
| Ref | Partnumber    | Description                              | GX270 | Serial Numbers |
| 024 | 90013-883-000 | BOLT, FLANGE, 6X12 (CT200)               | 2     |                |
| 025 | 90015-ZE5-010 | BOLT, GOVERNOR ARM                       | 1     |                |
| 027 | 90114-SA0-000 | NUT, SELF-LOCK, 6MM                      | 1     |                |
| 032 | 93500-050280A | SCREW, PAN, 5X28                         | 1     |                |
| 033 | 93500-050160A | SCREW, PAN, 5X16                         | 1     | 1053527        |
| 033 | 93893-0501600 | SCREW-WASHER, 5X16                       | 1     | 1053526        |
| 035 | 94050-06000   | NUT, FLANGE, 6MM                         | 1     |                |



| Ref | Partnumber    | Description                     | GX270 | Serial Numbers |
|-----|---------------|---------------------------------|-------|----------------|
| 003 | 87521-ZH9-010 | EMBLEM                          | 1     | 1033680        |
| 003 | 87521-ZH9-810 | EMBLEM (EXTERNAL)               | 1     | 1033679        |
| 010 | 87528-ZE2-810 | MARK, CHOKE (ORANGE)            | 1     |                |
| 013 | 87530-ZH9-810 | LABEL, SPECIFICATION (EXTERNAL) | 1     |                |
| 014 | 87532-ZB4-G60 | MARK, OIL ALERT (GERMAN)        | 1     | 1055455        |
| 014 | 87532-ZB4-H50 | MARK, OIL ALERT (FRENCH)        | 1     | 1055455        |
| 015 | 87532-ZE1-810 | MARK, OIL ALERT (EXTERNAL)      | 1     | 1033679        |
| 017 | 87532-ZH8-810 | MARK, OIL ALERT (ENGLISH)       | 1     | 1033680        |



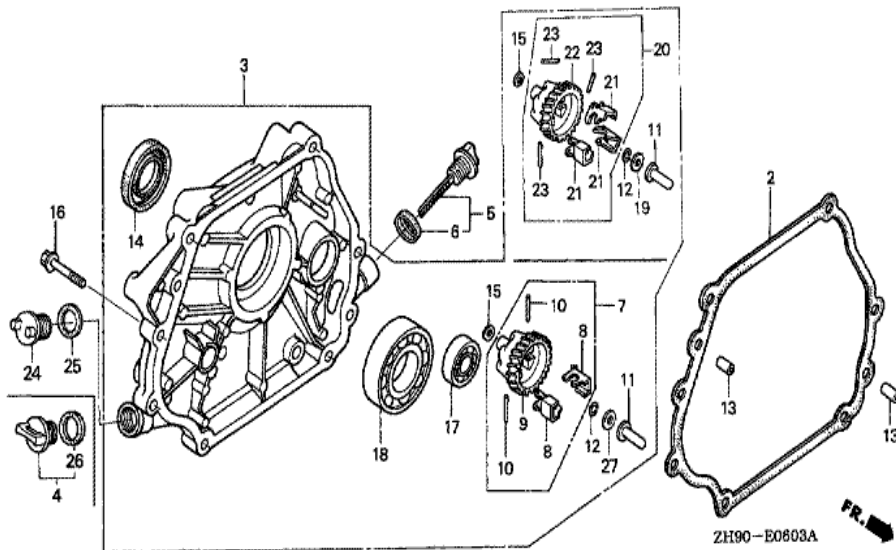
| Ref | Partnumber    | Description              | GX270 | Serial Numbers |
|-----|---------------|--------------------------|-------|----------------|
| 008 | 89218-ZE1-000 | WRENCH COMP., SPARK PLUG | (1)   | 3181388        |



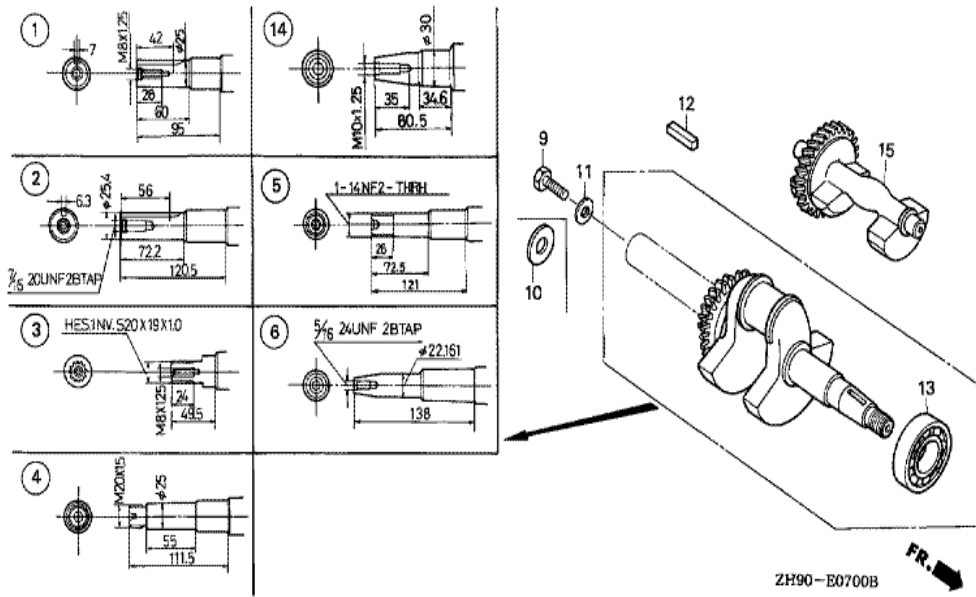
ZH90-E0300B

FR. →

| <u>Ref</u> | <u>Partnumber</u> | <u>Description</u>                      | <u>GX270</u> | <u>Serial Numbers</u> |
|------------|-------------------|---|--------------|-----------------------|
| 001        | 12000-ZH9-851     | BARREL ASSY., CYLINDER (BALANCER+ALERT) | 1            | 1069410               |
| 001        | 120A0-ZH9-850     | BARREL ASSY., CYLINDER (BALANCER+ALERT) | 1            | 1069409               |
| 002        | 15510-ZE2-043     | SWITCH ASSY., OIL LEVEL                 | 1            |                       |
| 003        | 16541-ZE2-010     | SHAFT, GOVERNOR ARM                     | 1            |                       |
| 004        | 32197-ZE2-003     | SUB HARNESS                             | 1            | 1033680 1225386       |
| 006        | 90131-883-000     | BOLT, DRAIN PLUG, 12X15                 | 2            |                       |
| 007        | 90446-KE1-000     | WASHER, 8.2X17X0.8                      | 1            |                       |
| 009        | 91201-890-003     | OIL SEAL, 30X46X8                       | 1            |                       |
| 010        | 91353-671-004     | O-RING, 14MM (NOK)                      | 1            |                       |
| 011        | 94050-10000       | NUT, FLANGE, 10MM                       | 1            |                       |
| 012        | 94109-12000       | WASHER, DRAIN PLUG, 12MM                | 2            |                       |
| 013        | 94251-08000       | PIN, LOCK, 8MM                          | 1            | 1116513               |
| 013        | 94251-10000       | PIN, LOCK, 10MM                         | 1            | 1116514               |
| <u>Ref</u> | <u>Partnumber</u> | <u>Description</u>                      | <u>GX270</u> | <u>Serial Numbers</u> |
| 014        | 95701-0601200     | BOLT, FLANGE, 6X12                      | 2            |                       |
| 015        | 96100-6202000     | BEARING, RADIAL BALL, 6202              | 1            |                       |



| Ref | Partnumber    | Description                | GX270 | Serial Numbers |
|-----|---------------|----------------------------|-------|----------------|
| 002 | 11381-ZE2-801 | PACKING, CASE COVER        | 1     |                |
| 003 | 11400-ZE2-601 | COVER ASSY., CRANKCASE     | 1     |                |
| 004 | 15600-ZG4-003 | CAP ASSY., OIL FILLER      | 1     | 1071799        |
| 005 | 15600-735-003 | CAP ASSY., OIL FILLER      | 1     |                |
| 007 | 16510-ZE2-811 | GOVERNOR ASSY.             | 1     |                |
| 008 | 16511-ZE2-000 | WEIGHT, GOVERNOR           | 2     |                |
| 009 | 16512-ZE2-811 | HOLDER, GOVERNOR WEIGHT    | 1     |                |
| 010 | 16513-ZE2-000 | PIN, GOVERNOR WEIGHT       | 2     |                |
| 011 | 16531-Z0A-000 | SLIDER, GOVERNOR           | 1     |                |
| 012 | 90602-896-000 | CLIP, GOVERNOR HOLDER      | (1)   |                |
| 012 | 90602-ZE1-000 | CLIP, GOVERNOR HOLDER      | 1     |                |
| 013 | 90701-HC4-000 | DOWEL PIN, 8X12            | 2     |                |
| 014 | 91201-890-003 | OIL SEAL, 30X46X8          | 1     |                |
| Ref | Partnumber    | Description                | GX270 | Serial Numbers |
| 015 | 94101-06800   | WASHER, PLAIN, 6MM         | 1     |                |
| 016 | 95900-0803500 | BOLT, FLANGE, 8X35         | 7     |                |
| 017 | 96100-6202000 | BEARING, RADIAL BALL, 6202 | 1     |                |
| 018 | 96100-6206000 | BEARING, RADIAL BALL, 6206 | 1     |                |
| 024 | 15620-ZG4-910 | CAP, OIL FILLER            | 1     | 1071798        |
| 025 | 15621-896-010 | PACKING, OIL FILLER CAP    | 1     | 1071798        |
| 026 | 15625-ZE1-003 | PACKING, OIL FILLER CAP    | 1     | 1071799        |
| 027 | 90473-147-000 | WASHER, 6X16               | 1     | 1064745        |



| Ref | Partnumber    | Description                    | GX270 | Serial Numbers |
|-----|---------------|--------------------------------|-------|----------------|
| 006 | 13310-ZH9-840 | CRANKSHAFT COMP.               | 1     |                |
| 013 | 91001-ZH9-003 | BEARING, RADIAL BALL (6206 SH) | 1     |                |
| 015 | 13351-ZE2-010 | WEIGHT, BALANCER               | 1     |                |





ZH90-E0800A



| <u>Ref</u> | <u>Partnumber</u> | <u>Description</u>                      | <u>GX270</u> | <u>Serial Numbers</u> |
|------------|-------------------|---|--------------|-----------------------|
| 001        | 13010-ZE8-601     | RING SET, PISTON (STD.) (NIPPON)        | 1            |                       |
| 001        | 13010-ZE8-602     | RING SET, PISTON (STD.) (TEIKOKU)       | 1            |                       |
| 001        | 13011-ZE8-601     | RING SET, PISTON (0.25) (NIPPON)        | (1)          |                       |
| 001        | 13011-ZE8-602     | RING SET, PISTON (0.25) (TEIKOKU)       | (1)          |                       |
| 001        | 13012-ZE8-601     | RING SET, PISTON (0.50) (NIPPON)        | (1)          |                       |
| 001        | 13012-ZE8-602     | RING SET, PISTON (0.50) (TEIKOKU)       | (1)          |                       |
| 001        | 13013-ZE8-601     | RING SET, PISTON (0.75) (NIPPON)        | (1)          |                       |
| 001        | 13013-ZE8-602     | RING SET, PISTON (0.75) (TEIKOKU)       | (1)          |                       |
| 002        | 13101-ZH9-000     | PISTON (STD.)                           | 1            |                       |
| 002        | 13102-ZH9-000     | PISTON (0.25)                           | (1)          |                       |
| 002        | 13103-ZH9-000     | PISTON (0.50)                           | (1)          |                       |
| 002        | 13104-ZH9-000     | PISTON (0.75)                           | (1)          |                       |
| 003        | 13111-ZE2-000     | PIN, PISTON                             | 1            |                       |
| <u>Ref</u> | <u>Partnumber</u> | <u>Description</u>                      | <u>GX270</u> | <u>Serial Numbers</u> |
| 004        | 13200-ZE2-010     | ROD ASSY., CONNECTING (STD.)            | 1            |                       |
| 004        | 13200-ZE2-305     | ROD ASSY., CONNECTING (0.25 UNDER SIZE) | (1)          |                       |
| 005        | 90001-ZE8-000     | BOLT, CONNECTING ROD                    | 2            |                       |
| 006        | 90551-ZE1-000     | CLIP, PISTON PIN, 18MM                  | 2            |                       |



ZH90-E0900A



| <u>Ref</u> | <u>Partnumber</u> | <u>Description</u>         | <u>GX270</u> | <u>Serial Numbers</u> |
|------------|-------------------|----------------------------|--------------|-----------------------|
| 001        | 14100-ZH9-000     | CAMSHAFT ASSY.             | 1            | 1268284               |
| 001        | 14100-ZH9-010     | CAMSHAFT ASSY.             | 1            | 1268285               |
| 002        | 14410-ZE2-013     | ROD, PUSH                  | 2            |                       |
| 003        | 14431-ZE2-010     | ARM, VALVE ROCKER          | 2            |                       |
| 004        | 14441-ZE2-000     | LIFTER, VALVE              | 2            |                       |
| 005        | 14451-ZE1-013     | PIVOT, ROCKER ARM          | 2            |                       |
| 006        | 14568-ZE1-000     | SPRING, WEIGHT RETURN      | 1            |                       |
| 007        | 14711-ZE2-000     | VALVE, IN.                 | 1            |                       |
| 008        | 14721-ZE2-000     | VALVE, EX.                 | 1            |                       |
| 009        | 14751-ZE2-003     | SPRING, VALVE              | 2            |                       |
| 010        | 14771-ZE2-000     | RETAINER, IN. VALVE SPRING | 1            |                       |
| 011        | 14773-ZE2-000     | RETAINER, EX. VALVE SPRING | 1            |                       |
| 012        | 14781-ZE2-000     | ROTATOR, VALVE             | 1            |                       |
| <u>Ref</u> | <u>Partnumber</u> | <u>Description</u>         | <u>GX270</u> | <u>Serial Numbers</u> |
| 013        | 14791-ZE2-010     | GUIDE, PUSH ROD            | 1            |                       |
| 014        | 90012-ZE0-010     | BOLT, PIVOT, 8MM           | 2            |                       |
| 015        | 90206-ZE1-000     | NUT, PIVOT ADJUSTING       | 2            |                       |



HENG-X0003

| <u>Ref</u> | <u>Partnumber</u> | <u>Description</u> | <u>GX270</u> | <u>Serial Numbers</u> |
|------------|-------------------|--------------------|--------------|-----------------------|
| 001        | 061A1-ZH9-000     | GASKET KIT         | 1            | 1046250               |
| 001        | 061A1-ZH9-050     | GASKET KIT         | 1            | 1046251               |