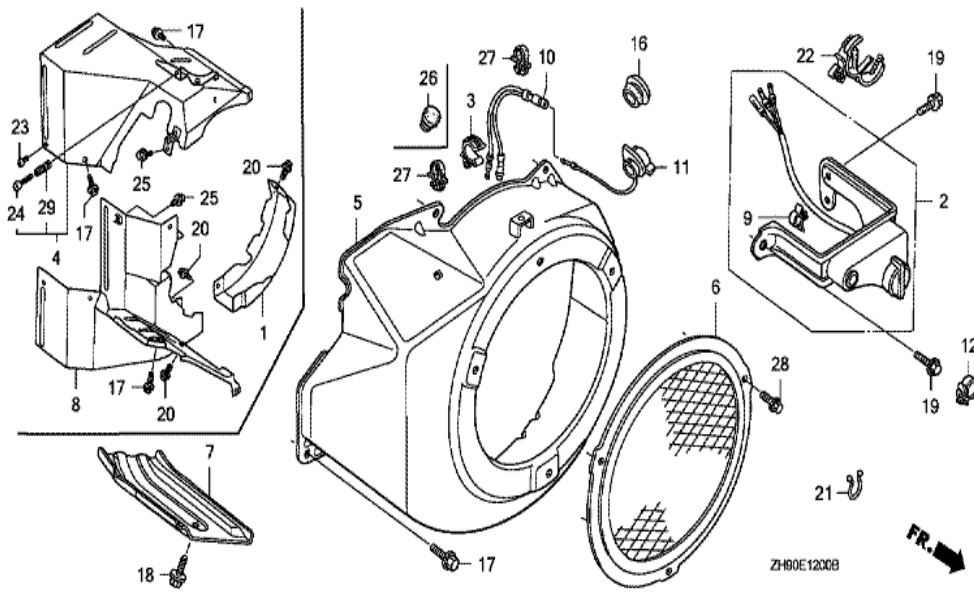




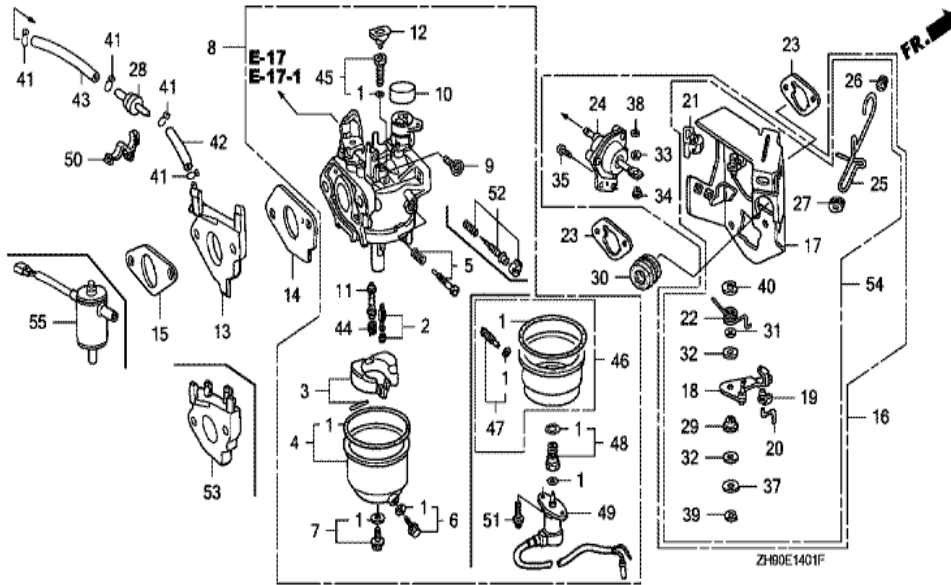
ZH90-E11008



Ref	Partnumber	Description	GX270	Serial Numbers
001	28400-ZE2-W01ZA	STARTER ASSY., RECOIL *R8 *	1	
002	28410-ZE2-W01ZA	CASE COMP., RECOIL STARTER *R8 *	1	
003	28421-ZE2-W01	PULLEY, RECOIL STARTER	1	
004	28422-ZE2-W01	RATCHET, STARTER	2	
005	28441-ZE2-W01	SPRING, FRICTION	1	
006	28442-ZE2-W01	SPRING, STARTER RETURN	1	
007	28443-ZE2-W01	SPRING, RATCHET	2	
008	28444-ZE2-W01	RETAINER, SPRING	1	
010	28461-ZE2-W02	GRIP, STARTER	1	
011	28462-ZE2-W11	ROPE, RECOIL STARTER	1	
013	90004-ZE2-W01	SCREW, CENTER	1	
014	90008-ZE2-003	BOLT, FLANGE, 6X10	3	

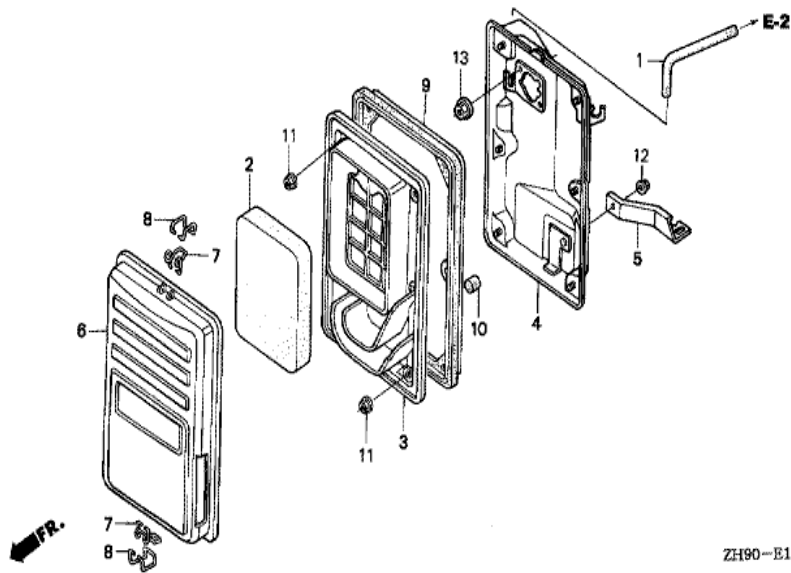


Ref	Partnumber	Description	GX270	Serial Numbers
005	19610-ZE2-700ZA	COVER COMP., FAN *R8 *	1	
007	19631-ZE2-D00	SHROUD	1	
016	81329-567-020	GROMMET, DRAIN HOLE	1	
018	90013-883-000	BOLT, FLANGE, 6X12 (CT200)	1	
027	90654-SA4-003	CLIP, WIRE HARNESS, 6MM (WHITE)	2	



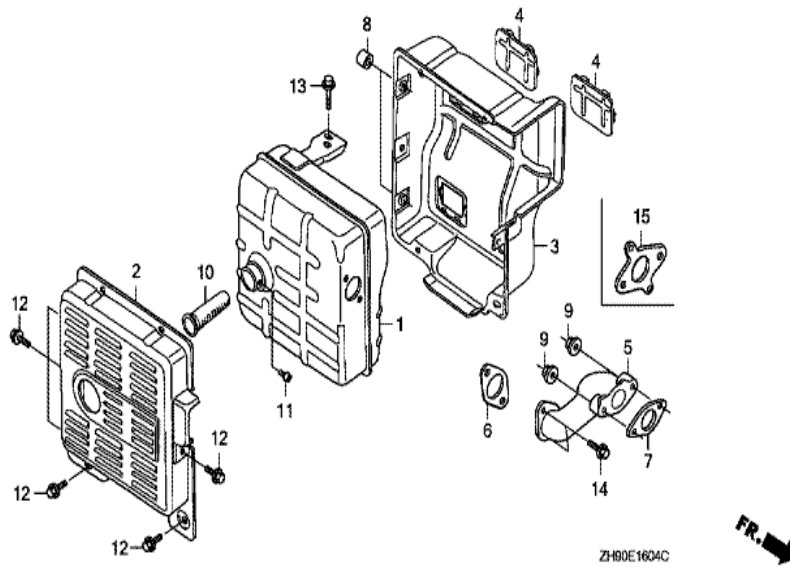
Ref	Partnumber	Description	GX270	Serial Numbers
001	16010-ZE3-701	GASKET SET	1	
002	16011-ZA0-931	VALVE SET, FLOAT	1	
003	16013-ZA0-931	FLOAT SET	1	
005	16016-ZA0-931	SCREW SET, PILOT	1	
008	16100-ZH9-D41	CARBURETOR ASSY. (BE77M A)	1	
009	16124-ZE0-005	SCREW, THROTTLE STOP	1	
010	16148-141-881	CAP, CHOKE DUST	1	
011	16166-ZH9-820	NOZZLE, MAIN	1	
012	16172-ZE3-W10	COLLAR, SETTING	1	
013	16211-ZE2-700	INSULATOR, CARBURETOR	1	
014	16221-ZA0-800	PACKING, CARBURETOR	1	
015	16223-ZA0-800	PACKING, INSULATOR	1	
016	16260-ZE2-722	STAY ASSY., MANUAL CHOKE	1	

<u>Ref</u>	<u>Partnumber</u>	<u>Description</u>	<u>GX270</u>	<u>Serial Numbers</u>
017	16261-ZE2-702	STAY COMP., SOLENOID	1	
018	16262-ZE2-711	LEVER, CHOKE	1	
019	16263-ZA0-000	JOINT, ROD	1	
020	16264-ZE2-701	ROD, CHOKE	1	
021	16265-ZE2-721	STOPPER, CHOKE ROD	1	
022	16268-ZE2-721	SPRING, MANUAL CHOKE	1	
023	16269-ZA0-800	PACKING, AIR CLEANER	2	
024	16400-ZE2-703	DIAPHRAGM ASSY.	1	
025	16611-ZE2-711	ROD, CHOKE CONTROL	1	
026	16613-893-000	GROMMET, CHOKE ROD	1	
027	16615-893-000	GUIDE, CHOKE ROD	1	
028	36135-ZF6-D41	VALVE, DASHPOT CHECK	1	
029	53149-964-003	BUSH, ARM PIVOT	1	
030	88911-MJ3-000	GROMMET, FENDER	1	
031	90431-ZE2-700	WASHER, CHOKE LEVER	1	
032	90432-ZE2-700	SEAL, CHOKE LEVER	2	
033	90433-ZE2-700	WASHER, THRUST, 2.7X8	1	
034	90434-ZE2-700	COLLAR, LEVER	1	
035	93500-050120A	SCREW, PAN, 5X12	2	
037	94103-05000	WASHER, PLAIN, 5MM	1	
038	94540-02010	E-RING, 2MM	1	
039	94540-04010	E-RING, 4MM	1	
040	94540-07010	E-RING, 7MM	1	
041	95002-02070	CLIP, TUBE (B7)	4	
042	95005-3506510	TUBE, 3.5X65 (95005-35001-10M)	1	
043	95005-3513010	TUBE, 3.5X130 (95005-35001-10M)	1	
044	99101-ZH80850	JET, MAIN, #85	(1)	
044	99101-ZH80880	JET, MAIN, #88	(1)	
044	99101-ZH80900	JET, MAIN, #90	1	
045	99204-ZE20400	JET SET, PILOT, #40	1	
046	16015-ZA0-931	CHAMBER SET, FLOAT	1	
047	16024-124-761	SCREW SET, DRAIN	1	
048	16028-ZA0-931	SCREW SET	1	
<u>Ref</u>	<u>Partnumber</u>	<u>Description</u>	<u>GX270</u>	<u>Serial Numbers</u>
049	16230-ZE3-701	VALVE ASSY., SOLENOID	1	
050	90650-SD9-003	CLIP, WIRE HARNESS	1	
051	93892-0501218	SCREW-WASHER, 5X12	2	

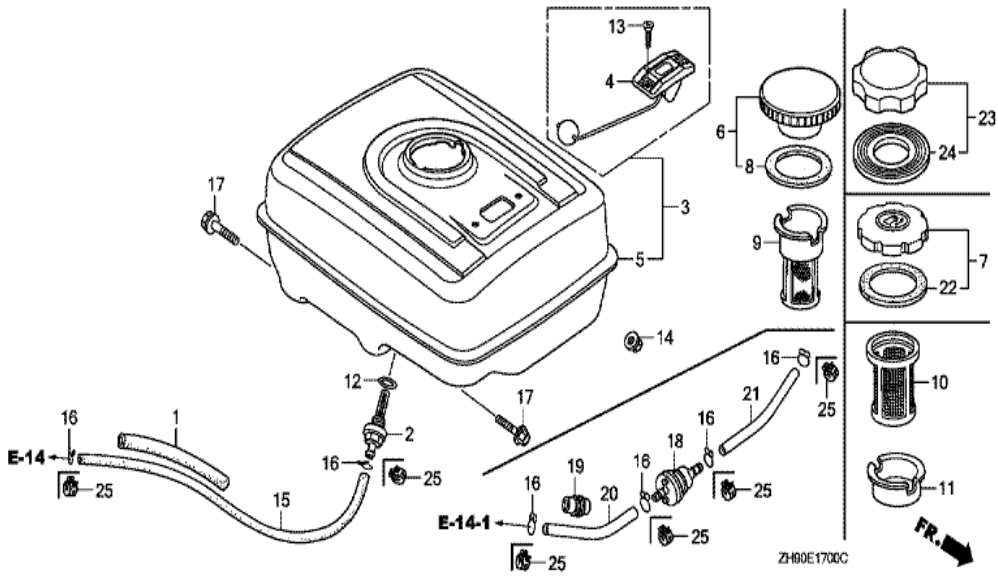


ZH90-E1505A

Ref	Partnumber	Description	GX270	Serial Numbers
001	15721-ZB4-000	TUBE, BREATHER	1	
002	17211-899-000	ELEMENT, AIR CLEANER	1	
003	17212-ZB4-003	SEPARATOR, AIR CLEANER	1	
004	17220-ZB4-003	CASE COMP., AIR CLEANER	1	
005	17222-ZB4-000	STAY, AIR CLEANER	1	
006	17231-899-000	COVER COMP., AIR CLEANER	1	
007	17235-899-000	CLIP A, AIR CLEANER WIRE	2	
008	17236-899-000	CLIP B, AIR CLEANER WIRE	2	
009	17252-899-000	SEAL, AIR CLEANER	1	
010	17367-413-690	FILTER, DRAIN TUBE	1	
011	94050-05000	NUT, FLANGE, 5MM	6	
012	94050-06080	NUT, FLANGE, 6MM	1	
013	94050-06000	NUT, FLANGE, 6MM	2	



Ref	Partnumber	Description	GX270	Serial Numbers
001	18310-ZD1-E31	MUFFLER COMP. (SANKEI)	1	
002	18320-ZB4-000	PROTECTOR, MUFFLER OUTER	1	
003	18325-ZB4-000	PROTECTOR, MUFFLER INNER	1	
004	18329-ZB4-000	SEAL, MUFFLER PROTECTOR	2	
005	18330-ZE2-700	PIPE, EX.	1	
006	18333-ZB4-800	GASKET, EX. PIPE	1	
007	18333-ZE3-800	GASKET, EX. PIPE	1	
009	94050-08000	NUT, FLANGE, 8MM	2	

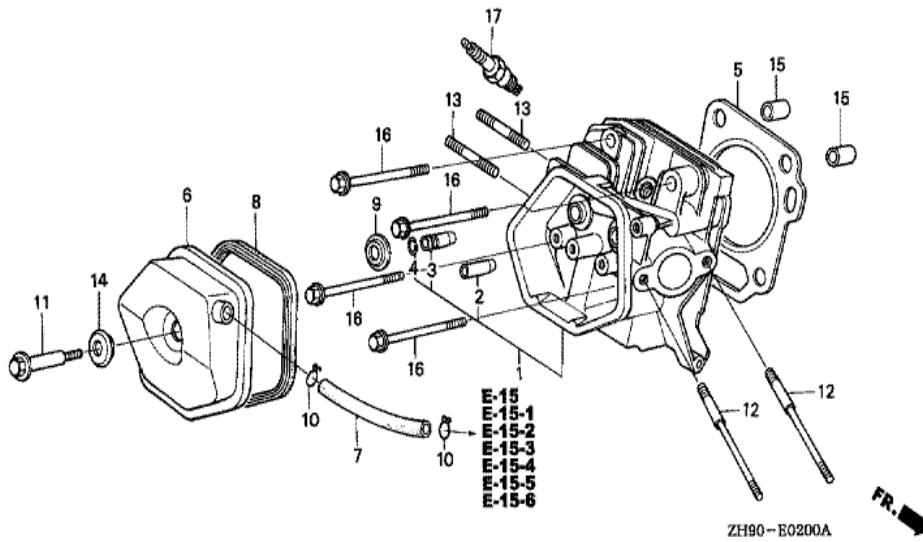


Ref	Partnumber	Description	GX270	Serial Numbers
016	95002-02080	CLIP, TUBE (B8)	2	



ZH90-E1900A

Ref	Partnumber	Description	GX270	Serial Numbers
001	19511-ZE2-000	FAN, COOLING	1	
004	28451-ZE2-W01	PULLEY, STARTER	1	
005	31100-ZE2-010	FLYWHEEL COMP.	1	
008	90201-ZE3-V00	NUT, SPECIAL, 16MM	1	
009	90741-ZE2-000	KEY, SPECIAL WOODRUFF, 25X18	1	

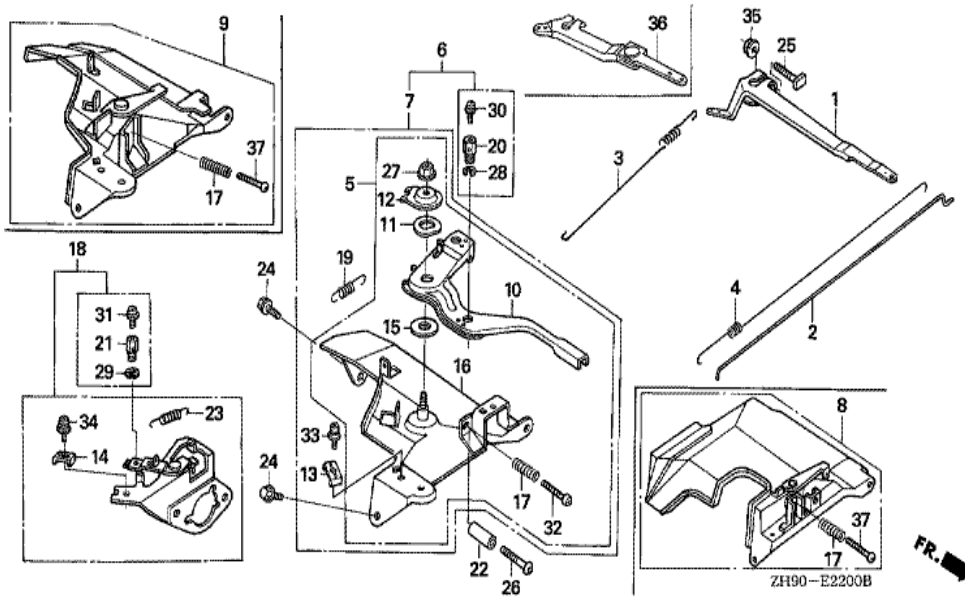


<u>Ref</u>	<u>Partnumber</u>	<u>Description</u>	<u>GX270</u>	<u>Serial Numbers</u>
001	12200-ZH9-000	HEAD COMP., CYLINDER	1	
002	12204-ZE2-306	GUIDE, IN. VALVE (O.S.)	(1)	
003	12205-ZE2-305	GUIDE, EX. VALVE (OS)	(1)	
004	12216-ZE2-300	CLIP, VALVE GUIDE	1	
005	12251-ZH9-000	GASKET, CYLINDER HEAD	1	
006	12310-ZE2-020	COVER COMP., HEAD	1	
008	12391-ZE2-020	PACKING, HEAD COVER	1	
009	14775-ZE2-010	SEAT, VALVE SPRING	1	
011	90014-ZE2-000	BOLT, HEAD COVER	1	
012	90042-ZE2-700	BOLT, STUD, 8X98	2	
013	92900-080320E	BOLT, STUD, 8X32	2	
014	90441-ZE2-010	WASHER COMP., HEAD COVER	1	
015	94301-12200	DOWEL PIN, 12X20	2	
<u>Ref</u>	<u>Partnumber</u>	<u>Description</u>	<u>GX270</u>	<u>Serial Numbers</u>
016	95725-1008000	BOLT, FLANGE, 10X80	4	
017	98079-55846	PLUG, SPARK (BPR5ES) (NGK)	1	
017	98079-55855	PLUG, SPARK (W16EPR-U) (DENSO)	1	

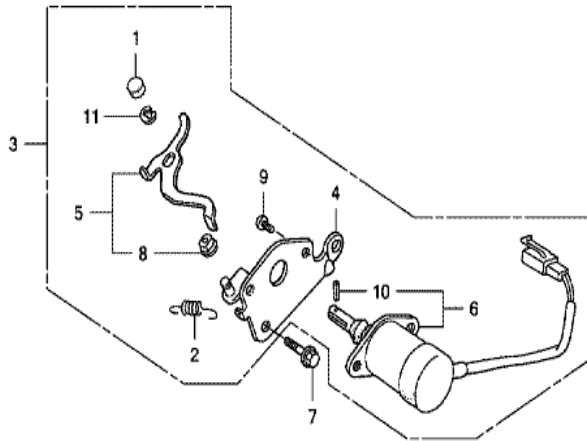


ZH90-E2000A

Ref	Partnumber	Description	GX270	Serial Numbers
001	30500-ZF6-W02	COIL ASSY., IGNITION	1	
004	30700-ZE1-013	CAP ASSY., NOISE SUPPRESSOR (NICHIIWA Y-E	1	
008	31512-ZE2-000	GROMMET, CORD	1	
010	36101-ZE2-701	CORD, STOP SWITCH (430MM)	1	
011	36103-ZE1-000	HOLDER, STOP SWITCH CORD	1	
013	90015-883-000	BOLT, FLANGE, 6X28 (CT200)	2	



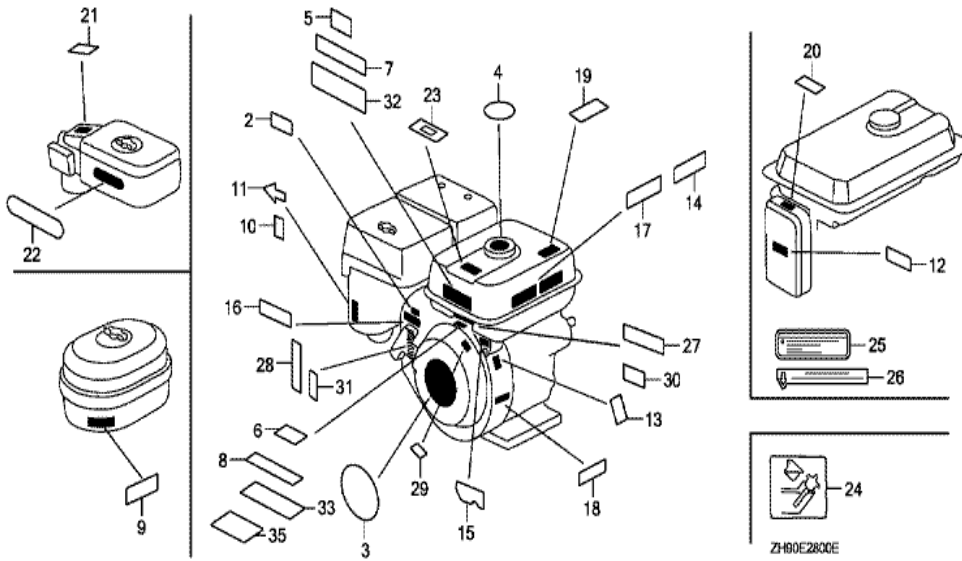
Ref	Partnumber	Description	GX270	Serial Numbers
002	16555-ZE2-000	ROD, GOVERNOR	1	
003	16561-ZE2-000	SPRING, GOVERNOR (L=145.0MM) (WIRE DIAME	1	
004	16562-ZE2-700	SPRING, THROTTLE RETURN	1	
008	16570-ZE2-701	CONTROL ASSY.	1	
017	16584-883-300	SPRING, CONTROL ADJUSTING	1	
024	90013-883-000	BOLT, FLANGE, 6X12 (CT200)	2	
025	90015-ZE5-010	BOLT, GOVERNOR ARM	1	
035	94050-06000	NUT, FLANGE, 6MM	1	
036	16550-ZE2-700	ARM COMP., GOVERNOR	1	
037	93500-050350A	SCREW, PAN, 5X35	1	



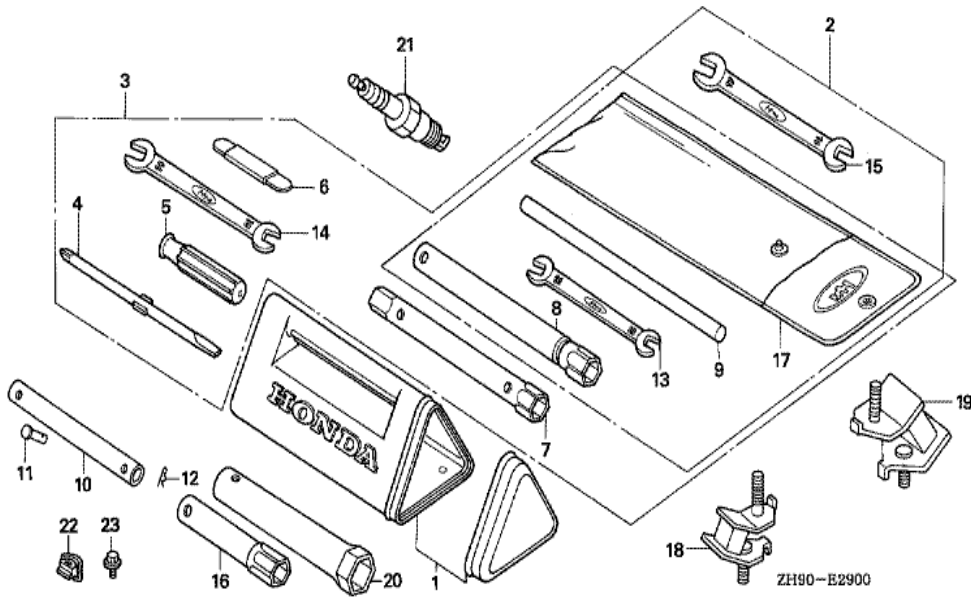
ZH0E2210B



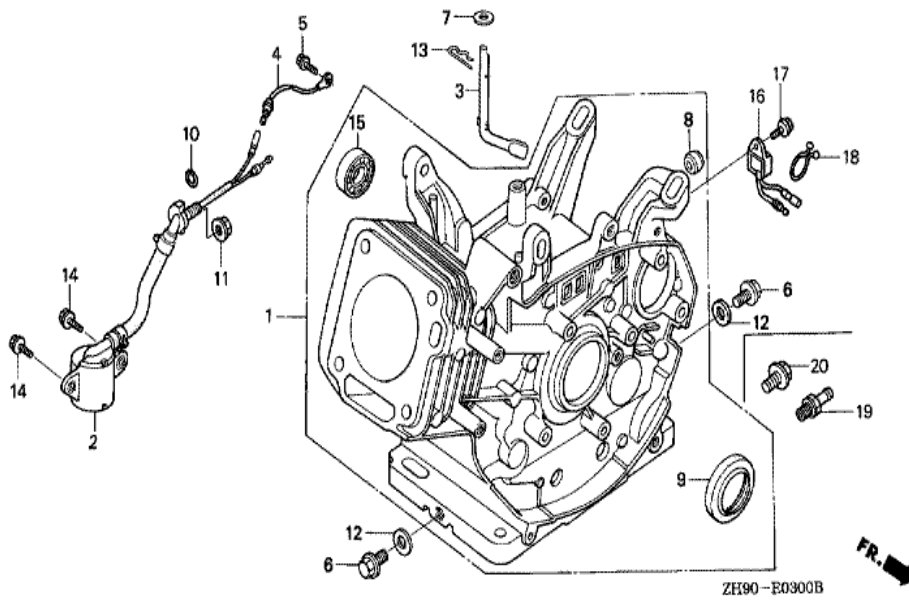
<u>Ref</u>	<u>Partnumber</u>	<u>Description</u>	<u>GX270</u>	<u>Serial Numbers</u>
001	16252-ZA1-010	CAP, CHOKE LEVER	1	
002	16268-893-000	SPRING, CHOKE RETURN	1	
003	16270-ZB4-010	AUTO-THROTTLE ASSY.	1	
004	16271-ZB4-000	STAY, SOLENOID THROTTLE	1	
005	16273-ZB4-000	LEVER COMP., SOLENOID THROTTLE	1	
006	36160-ZB4-003	SOLENOID ASSY.	1	
007	90013-883-000	BOLT, FLANGE, 6X12 (CT200)	1	
008	91502-ZB4-701	BUSH, AUTO-THROTTLE LEVER	1	
009	93500-050080A	SCREW, PAN, 5X8	2	
010	94305-20062	PIN, SPRING, 2X6	1	
011	94540-04018	E-RING, 4MM	1	



Ref	Partnumber	Description	GX270	Serial Numbers
003	87521-ZH9-010	EMBLEM	1	1812277
003	87521-ZH9-020	EMBLEM (GX270 9.0)	1	1812278
012	87528-898-620	MARK, CHOKE	1	
025	87533-ZC0-630	MARK, AIR CLEANER (ENGLISH)	1	
026	87539-898-620	MARK, EX. CAUTION (ENGLISH/FRENCH)	1	
028	87135-ZE2-000	LABEL, E-SPEC (HONDA) (EPA STANDARD) (15)	1	1703189



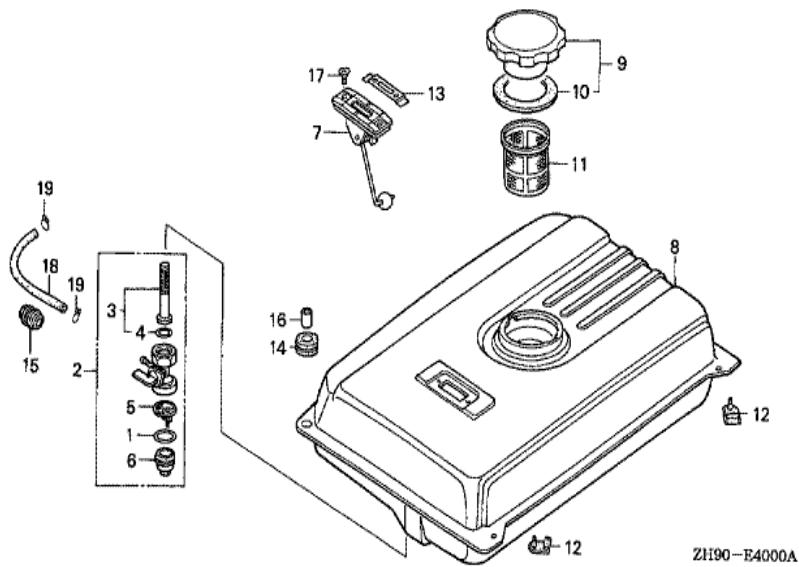
Ref	Partnumber	Description	GX270	Serial Numbers
020	89216-ZB4-000	WRENCH, PLUG	1	
022	90855-ZB4-000	GROMMET, CRANKCASE	1	
023	95701-0601000	BOLT, FLANGE, 6X10	8	



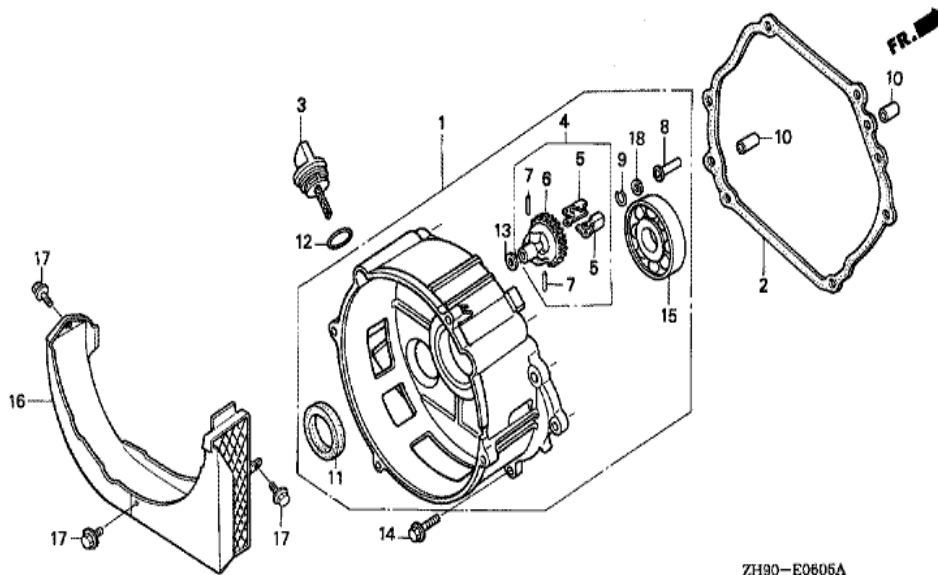
ZH90-E0300B



<u>Ref</u>	<u>Partnumber</u>	<u>Description</u>	<u>GX270</u>	<u>Serial Numbers</u>
001	12000-ZH9-801	BARREL ASSY., CYLINDER (ALERT)	1	1680278
001	12000-ZH9-802	BARREL ASSY., CYLINDER (ALERT)	1	1680279
002	15510-ZE2-043	SWITCH ASSY., OIL LEVEL	1	
003	16541-ZE2-010	SHAFT, GOVERNOR ARM	1	
004	31161-ZE2-000	CORD, EARTH	1	
005	90013-883-000	BOLT, FLANGE, 6X12 (CT200)	1	
006	90131-883-000	BOLT, DRAIN PLUG, 12X15	2	
007	90446-KE1-000	WASHER, 8.2X17X0.8	1	
009	91201-890-003	OIL SEAL, 30X46X8	1	
010	91353-671-004	O-RING, 14MM (NOK)	1	
011	94050-10000	NUT, FLANGE, 10MM	1	
012	94109-12000	WASHER, DRAIN PLUG, 12MM	2	
013	94251-10000	PIN, LOCK, 10MM	1	
<u>Ref</u>	<u>Partnumber</u>	<u>Description</u>	<u>GX270</u>	<u>Serial Numbers</u>
014	95701-0601200	BOLT, FLANGE, 6X12	2	
016	34150-ZH7-003	ALERT UNIT, OIL	1	
017	90013-883-000	BOLT, FLANGE, 6X12 (CT200)	1	

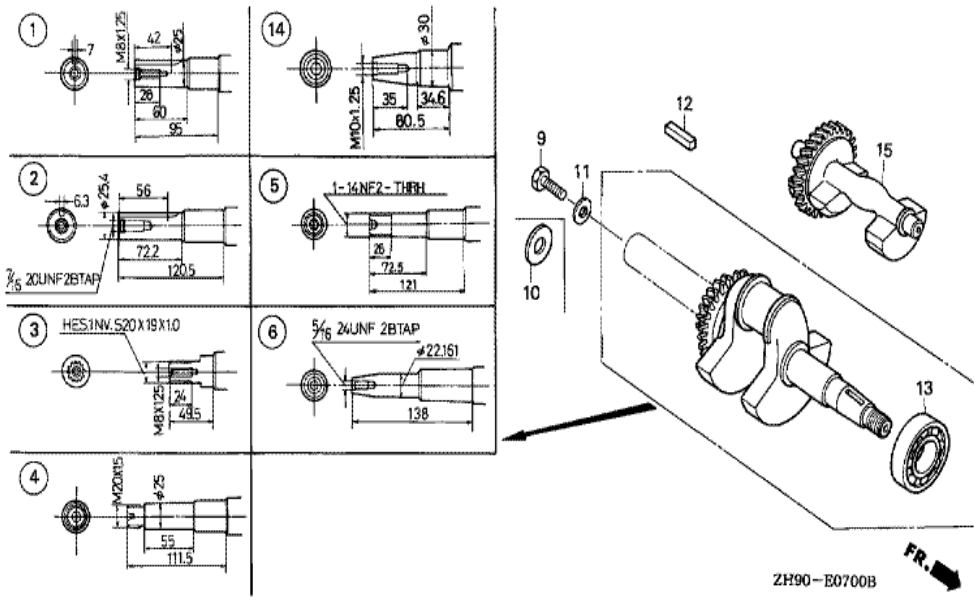


<u>Ref</u>	<u>Partnumber</u>	<u>Description</u>	<u>GX270</u>	<u>Serial Numbers</u>
001	16173-001-004	PACKING, FUEL STRAINER CUP	1	
002	16950-ZB4-015	COCK ASSY., FUEL	1	
003	16952-ZB4-005	SCREEN SET, FUEL STRAINER	1	
004	16958-397-771	O-RING, 9.0X1.3	1	
005	16959-471-831	FILTER, CUP	1	
006	16967-GA6-671	CUP, FUEL STRAINER	1	
007	17505-ZB2-003	METER ASSY., FUEL	1	
008	17510-ZB4-000ZB	TANK COMP., FUEL *R8 *	1	1657671
009	17620-899-013	CAP COMP., FUEL FILLER	1	
010	17631-899-000	PACKING, FUEL FILLER CAP	1	
011	17672-899-000	FILTER, FUEL	1	
012	50319-ZB2-000	RUBBER, TANK MOUNTING	2	
013	87565-ZB4-A00	PLATE, FUEL INDICATION	1	
<u>Ref</u>	<u>Partnumber</u>	<u>Description</u>	<u>GX270</u>	<u>Serial Numbers</u>
014	90851-898-000	RUBBER, TANK CUSHION	2	
015	90854-ZB2-000	RUBBER, FUEL (9X15X10)	1	
016	91551-898-000	COLLAR, TANK CUSHION	2	
017	93600-050100A	SCREW, FLAT, 5X10	2	
018	95001-4525040	TUBE, FUEL, 4.5X250 (95001-45001-60M)	1	
019	95002-02080	CLIP, TUBE (B8)	2	

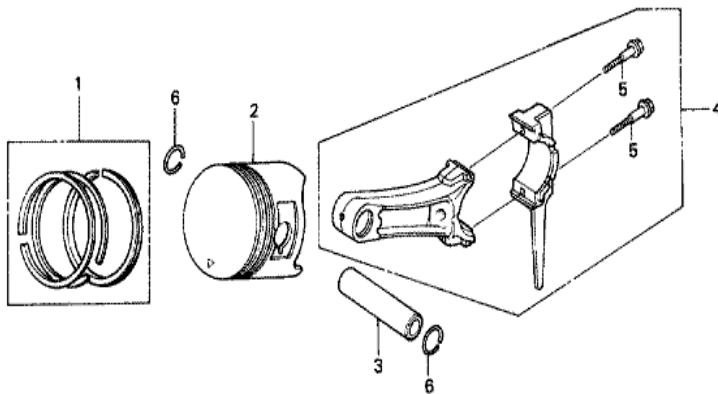


ZH90-E0605A

Ref	Partnumber	Description	GX270	Serial Numbers
001	11300-ZE2-700	COVER ASSY., CRANKCASE	1	1832354
001	11300-ZE2-701	COVER ASSY., CRANKCASE	1	1832355
002	11381-ZE2-801	PACKING, CASE COVER	1	
003	15620-ZE2-700	CAP, OIL FILLER	1	
004	16510-ZE2-000	GOVERNOR ASSY.	1	
005	16511-ZE2-000	WEIGHT, GOVERNOR	2	
006	16512-ZE2-000	HOLDER, GOVERNOR WEIGHT	1	
007	16513-ZE2-000	PIN, GOVERNOR WEIGHT	2	
008	16531-Z0A-000	SLIDER, GOVERNOR	1	1832355
008	16531-ZE2-000	SLIDER, GOVERNOR	1	1832354
009	90602-ZE1-000	CLIP, GOVERNOR HOLDER	1	
010	90701-HC4-000	DOWEL PIN, 8X12	2	
011	91201-890-003	OIL SEAL, 30X46X8	1	
Ref	Partnumber	Description	GX270	Serial Numbers
012	91301-805-000	O-RING, 26X2.7	1	
013	94101-06800	WASHER, PLAIN, 6MM	1	
014	95701-0803500	BOLT, FLANGE, 8X35	7	
015	96100-6206000	BEARING, RADIAL BALL, 6206	1	
016	11315-ZE2-700	COVER, DUCT	1	
017	90019-883-000	BOLT, FLANGE, 5X10	3	
018	90473-147-000	WASHER, 6X16	1	1832355



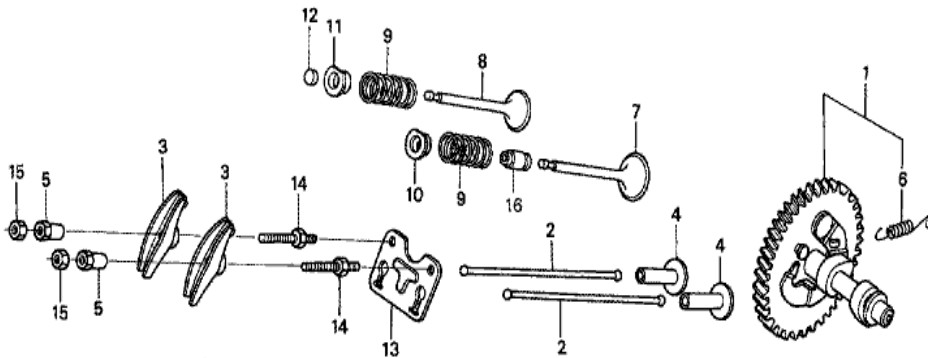
Ref	Partnumber	Description	GX270	Serial Numbers
013	91001-ZH9-003	BEARING, RADIAL BALL (6206 SH)	1	
014	13310-ZH9-700	CRANKSHAFT COMP.	1	



ZH90-E0800A



<u>Ref</u>	<u>Partnumber</u>	<u>Description</u>	<u>GX270</u>	<u>Serial Numbers</u>
001	13010-ZE8-601	RING SET, PISTON (STD.) (NIPPON)	1	
001	13010-ZE8-602	RING SET, PISTON (STD.) (TEIKOKU)	1	
001	13011-ZE8-601	RING SET, PISTON (0.25) (NIPPON)	(1)	
001	13011-ZE8-602	RING SET, PISTON (0.25) (TEIKOKU)	(1)	
001	13012-ZE8-601	RING SET, PISTON (0.50) (NIPPON)	(1)	
001	13012-ZE8-602	RING SET, PISTON (0.50) (TEIKOKU)	(1)	
001	13013-ZE8-601	RING SET, PISTON (0.75) (NIPPON)	(1)	
001	13013-ZE8-602	RING SET, PISTON (0.75) (TEIKOKU)	(1)	
002	13101-ZH9-000	PISTON (STD.)	1	
002	13102-ZH9-000	PISTON (0.25)	(1)	
002	13103-ZH9-000	PISTON (0.50)	(1)	
002	13104-ZH9-000	PISTON (0.75)	(1)	
003	13111-ZE2-000	PIN, PISTON	1	
<u>Ref</u>	<u>Partnumber</u>	<u>Description</u>	<u>GX270</u>	<u>Serial Numbers</u>
004	13200-ZE2-010	ROD ASSY., CONNECTING (STD.)	1	
004	13200-ZE2-305	ROD ASSY., CONNECTING (0.25 UNDER SIZE)	(1)	
005	90001-ZE8-000	BOLT, CONNECTING ROD	2	
006	90551-ZE1-000	CLIP, PISTON PIN, 18MM	2	



ZH90-E0900A



<u>Ref</u>	<u>Partnumber</u>	<u>Description</u>	<u>GX270</u>	<u>Serial Numbers</u>
001	14100-ZH9-010	CAMSHAFT ASSY.	1	
002	14410-ZE2-013	ROD, PUSH	2	
003	14431-ZE2-010	ARM, VALVE ROCKER	2	
004	14441-ZE2-000	LIFTER, VALVE	2	
005	14451-ZE1-013	PIVOT, ROCKER ARM	2	
006	14568-ZE1-000	SPRING, WEIGHT RETURN	1	
007	14711-ZE2-000	VALVE, IN.	1	
008	14721-ZE2-000	VALVE, EX.	1	
009	14751-ZE2-003	SPRING, VALVE	2	
010	14771-ZE2-000	RETAINER, IN. VALVE SPRING	1	
011	14773-ZE2-000	RETAINER, EX. VALVE SPRING	1	
012	14781-ZE2-000	ROTATOR, VALVE	1	
013	14791-ZE2-010	GUIDE, PUSH ROD	1	
<u>Ref</u>	<u>Partnumber</u>	<u>Description</u>	<u>GX270</u>	<u>Serial Numbers</u>
014	90012-ZE0-010	BOLT, PIVOT, 8MM	2	
015	90206-ZE1-000	NUT, PIVOT ADJUSTING	2	
016	12209-ZE8-003	SEAL, VALVE STEM	1	1703119