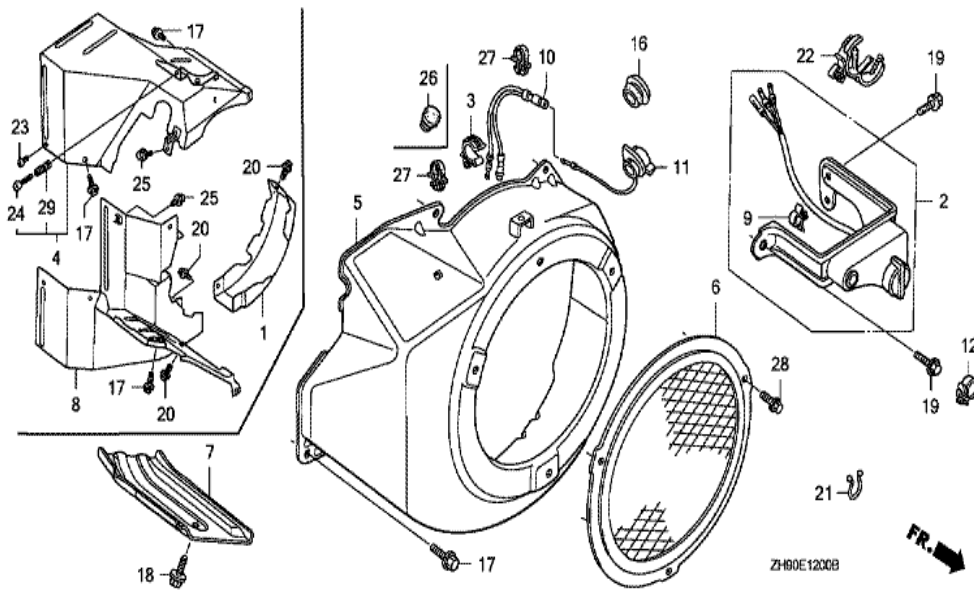




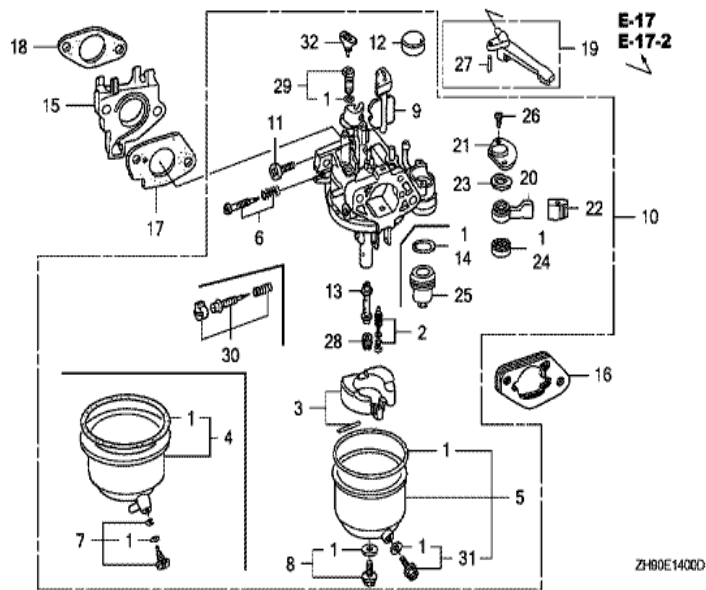
ZH90-E11008



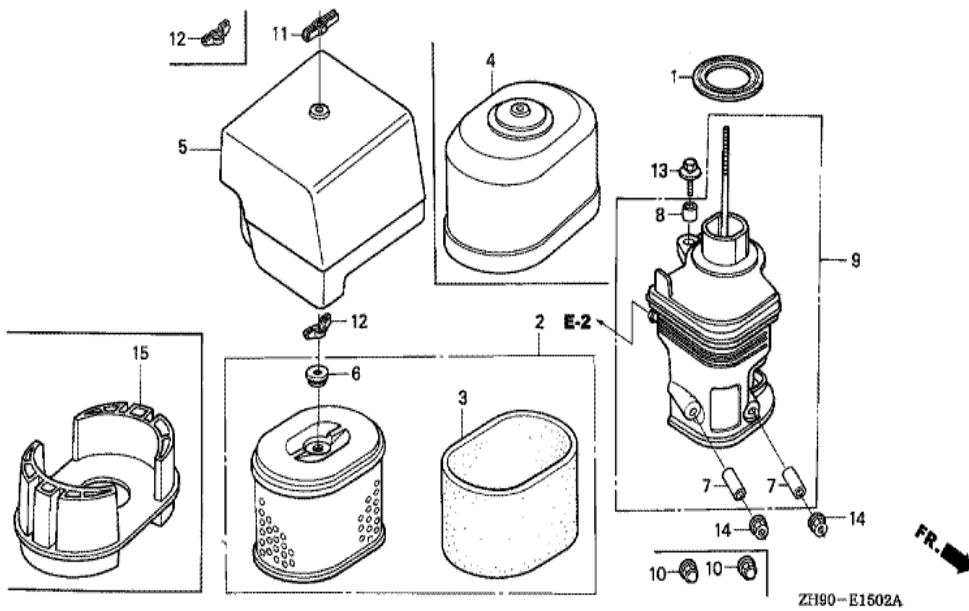
| <u>Ref</u> | <u>Partnumber</u> | <u>Description</u>                 | <u>GX270</u> | <u>Serial Numbers</u> |
|------------|-------------------|------------------------------------|--------------|-----------------------|
| 001        | 28400-ZE2-W01ZA   | STARTER ASSY., RECOIL *R8 *        | 1            | 2080023               |
| 001        | 28400-ZE2-W01ZN   | STARTER ASSY., RECOIL *R280 *      | 1            | 2080024               |
| 002        | 28410-ZE2-W01ZA   | CASE COMP., RECOIL STARTER *R8 *   | 1            | 2080023               |
| 002        | 28410-ZE2-W01ZN   | CASE COMP., RECOIL STARTER *R280 * | 1            | 2080024               |
| 003        | 28421-ZE2-W01     | PULLEY, RECOIL STARTER             | 1            |                       |
| 004        | 28422-ZE2-W01     | RATCHET, STARTER                   | 2            |                       |
| 005        | 28441-ZE2-W01     | SPRING, FRICTION                   | 1            |                       |
| 006        | 28442-ZE2-W01     | SPRING, STARTER RETURN             | 1            |                       |
| 007        | 28443-ZE2-W01     | SPRING, RATCHET                    | 2            |                       |
| 008        | 28444-ZE2-W01     | RETAINER, SPRING                   | 1            |                       |
| 010        | 28461-ZE2-W02     | GRIP, STARTER                      | 1            |                       |
| 011        | 28462-ZE2-W11     | ROPE, RECOIL STARTER               | 1            |                       |
| 013        | 90004-ZE2-W01     | SCREW, CENTER                      | 1            |                       |
| <u>Ref</u> | <u>Partnumber</u> | <u>Description</u>                 | <u>GX270</u> | <u>Serial Numbers</u> |
| 014        | 90008-ZE2-003     | BOLT, FLANGE, 6X10                 | 3            |                       |



| Ref | Partnumber      | Description                | GX270 | Serial Numbers |
|-----|-----------------|----------------------------|-------|----------------|
| 003 | 16731-ZE2-003   | CLIP, TUBE                 | 1     |                |
| 005 | 19610-ZE2-010ZA | COVER COMP., FAN *R8 *     | 1     | 2080023        |
| 005 | 19610-ZE2-010ZL | COVER COMP., FAN *R280 *   | 1     | 2080024        |
| 007 | 19631-ZE2-D00   | SHROUD                     | 1     |                |
| 011 | 36100-ZH7-003   | SWITCH ASSY., ENGINE STOP  | 1     |                |
| 018 | 90013-883-000   | BOLT, FLANGE, 6X12 (CT200) | 1     |                |
| 022 | 90684-ZA0-601   | CLIP, HARNESS              | 1     |                |

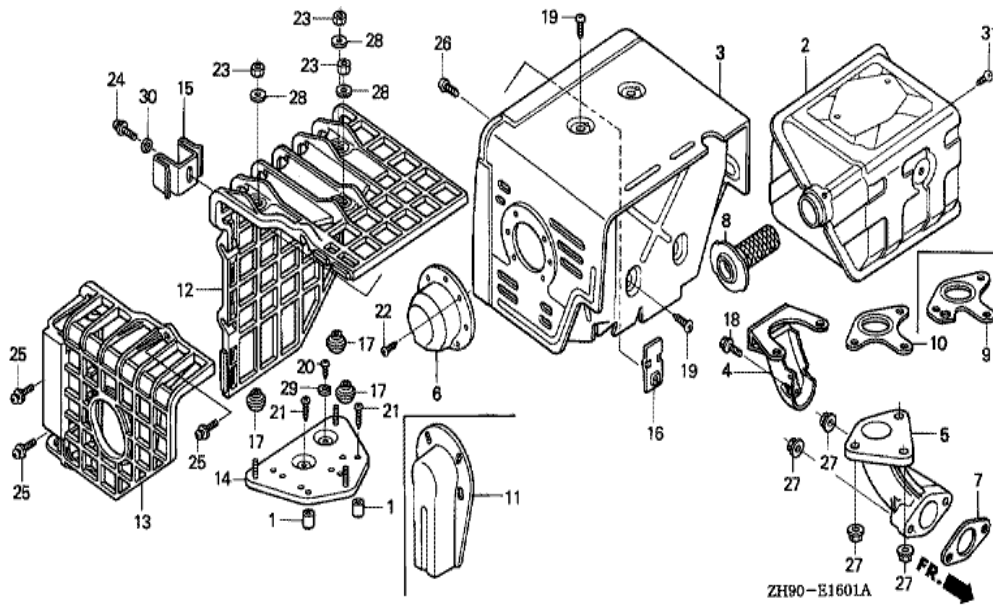


| <u>Ref</u> | <u>Partnumber</u> | <u>Description</u>           | <u>GX270</u> | <u>Serial Numbers</u> |
|------------|-------------------|------------------------------|--------------|-----------------------|
| 001        | 16010-ZE2-812     | GASKET SET                   | 1            |                       |
| 002        | 16011-ZA0-931     | VALVE SET, FLOAT             | 1            |                       |
| 003        | 16013-ZA0-931     | FLOAT SET                    | 1            |                       |
| 005        | 16015-ZE8-005     | CHAMBER SET, FLOAT           | 1            |                       |
| 008        | 16028-ZE0-005     | SCREW SET                    | 1            |                       |
| 009        | 16044-ZE2-005     | CHOKE SET                    | 1            |                       |
| 010        | 16100-ZH9-W21     | CARBURETOR ASSY. (BE75B B/C) | 1            |                       |
| 011        | 16124-ZE0-005     | SCREW, THROTTLE STOP         | 1            |                       |
| 013        | 16166-ZH9-W20     | NOZZLE, MAIN                 | 1            |                       |
| 014        | 16173-001-004     | PACKING, FUEL STRAINER CUP   | 1            |                       |
| 015        | 16211-ZE2-000     | INSULATOR, CARBURETOR        | 1            |                       |
| 016        | 16220-ZA0-702     | SPACER COMP., CARBURETOR     | 1            |                       |
| 017        | 16221-ZA0-800     | PACKING, CARBURETOR          | 1            |                       |
| <u>Ref</u> | <u>Partnumber</u> | <u>Description</u>           | <u>GX270</u> | <u>Serial Numbers</u> |
| 018        | 16223-ZA0-800     | PACKING, INSULATOR           | 1            |                       |
| 019        | 16610-ZE1-000     | LEVER COMP., CHOKE (STD.)    | 1            |                       |
| 020        | 16953-ZE1-812     | LEVER, COCK                  | 1            |                       |
| 021        | 16954-ZE1-812     | PLATE, LEVER SETTING         | 1            |                       |
| 023        | 16956-ZE1-811     | SPRING, COCK LEVER           | 1            |                       |
| 024        | 16957-ZE1-812     | PACKING, FUEL COCK           | 1            |                       |
| 025        | 16967-ZE0-811     | CUP, FUEL STRAINER           | 1            |                       |
| 026        | 93500-030061H     | SCREW, PAN, 3X6              | 2            |                       |
| 027        | 94305-20122       | PIN, SPRING, 2X12            | 1            |                       |
| 028        | 99101-ZH80800     | JET, MAIN, #80               | (1)          |                       |
| 028        | 99101-ZH80820     | JET, MAIN, #82               | (1)          |                       |
| 028        | 99101-ZH80850     | JET, MAIN, #85               | 1            |                       |
| 029        | 99204-ZE20400     | JET SET, PILOT, #40          | 1            |                       |
| 030        | 16016-ZH7-W01     | SCREW SET, PILOT             | 1            |                       |
| 031        | 16024-ZE1-811     | SCREW SET, DRAIN             | 1            |                       |
| 032        | 16172-ZE3-W10     | COLLAR, SETTING              | 1            |                       |

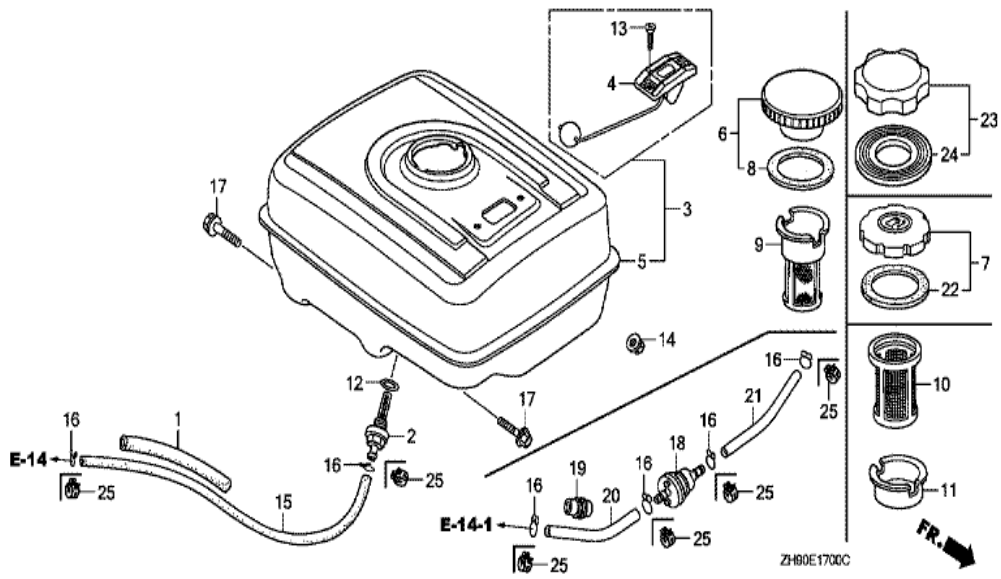


ZF90-E1502A

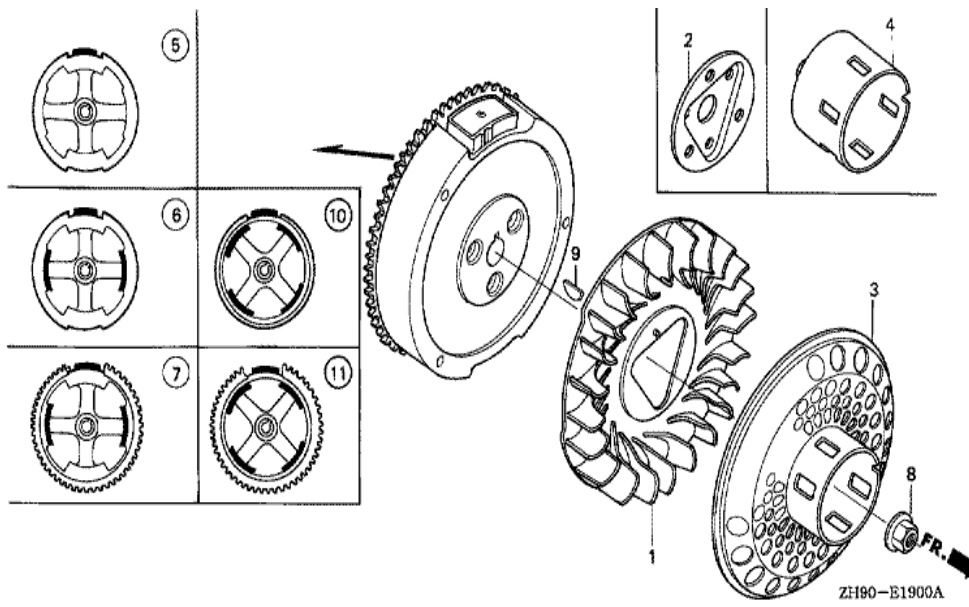
| Ref | Partnumber    | Description                 | GX270 | Serial Numbers |
|-----|---------------|-----------------------------|-------|----------------|
| 001 | 16271-ZE2-010 | PACKING, ELBOW              | 1     |                |
| 002 | 17210-ZE2-822 | ELEMENT, AIR CLEANER (DUAL) | 1     |                |
| 003 | 17218-ZE2-821 | FILTER, OUTER               | 1     |                |
| 005 | 17231-ZH9-820 | COVER, AIR CLEANER          | 1     |                |
| 006 | 17232-891-000 | GROMMET, AIR CLEANER        | 1     |                |
| 007 | 17238-ZE2-310 | COLLAR, AIR CLEANER         | 2     |                |
| 008 | 17239-ZE1-000 | COLLAR B, AIR CLEANER       | 1     |                |
| 009 | 17410-ZE2-020 | ELBOW COMP., AIR CLEANER    | 1     |                |
| 012 | 90325-044-000 | NUT, TOOL BOX SETTING       | 2     |                |
| 013 | 90009-ZE2-003 | BOLT-WASHER, 6X22           | 1     |                |
| 014 | 94050-06000   | NUT, FLANGE, 6MM            | 2     |                |
| 015 | 17235-ZE2-820 | NOSE, SILENCER              | 1     |                |



| Ref | Partnumber    | Description                              | GX270 | Serial Numbers |
|-----|---------------|--|-------|----------------|
| 002 | 18310-ZE2-W61 | MUFFLER COMP. (100DB)                    | 1     |                |
| 003 | 18320-ZE2-W61 | PROTECTOR COMP., MUFFLER                 | 1     |                |
| 004 | 18323-ZE2-W60 | PROTECTOR, EX. PIPE (100DB)              | 1     |                |
| 005 | 18330-ZH9-N00 | PIPE, EX.                                | 1     |                |
| 006 | 18331-ZE2-810 | CAP, MUFFLER                             | 1     |                |
| 007 | 18333-ZF6-W01 | GASKET, EX. PIPE                         | 1     |                |
| 008 | 18355-ZE2-W00 | ARRESTER, SPARK                          | 1     |                |
| 009 | 18381-ZE2-W10 | GASKET, MUFFLER (ARRESTER) (NIPPON LEAKL | 1     |                |
| 018 | 90013-883-000 | BOLT, FLANGE, 6X12 (CT200)               | 1     |                |
| 019 | 90050-ZE1-000 | SCREW, TAPPING, 5X8                      | 4     |                |
| 026 | 90006-ZE2-000 | SCREW, TAPPING, 6X10                     | 1     |                |
| 027 | 94050-08000   | NUT, FLANGE, 8MM                         | 5     |                |
| 031 | 90055-ZE1-000 | SCREW, TAPPING, 4X6                      | 1     |                |

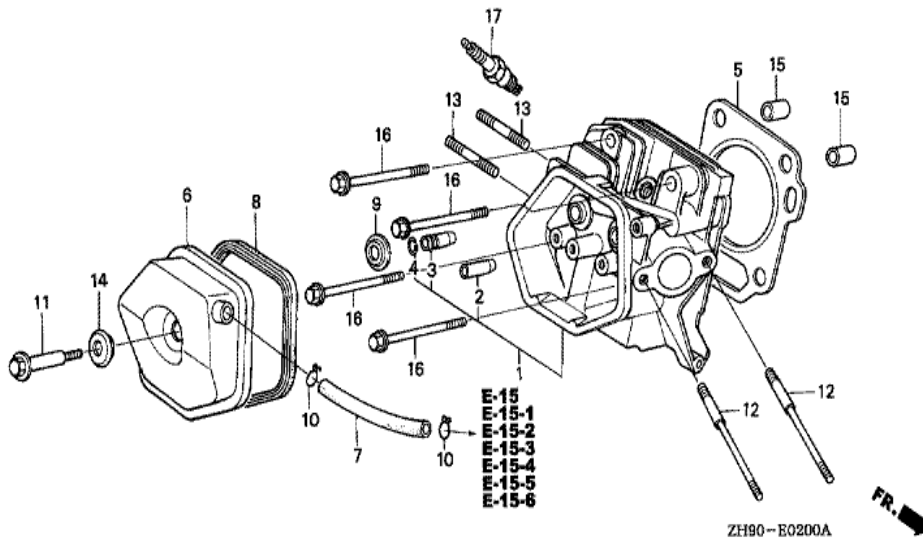


| Ref | Partnumber    | Description                           | GX270 | Serial Numbers |
|-----|---------------|---------------------------------------|-------|----------------|
| 001 | 16854-ZH8-000 | RUBBER, SUPPORTER (107MM)             | 1     |                |
| 015 | 95001-4522240 | TUBE, FUEL, 4.5X222 (95001-45001-60M) | 1     |                |
| 016 | 95002-02080   | CLIP, TUBE (B8)                       | 2     |                |



ZH90-E1900A

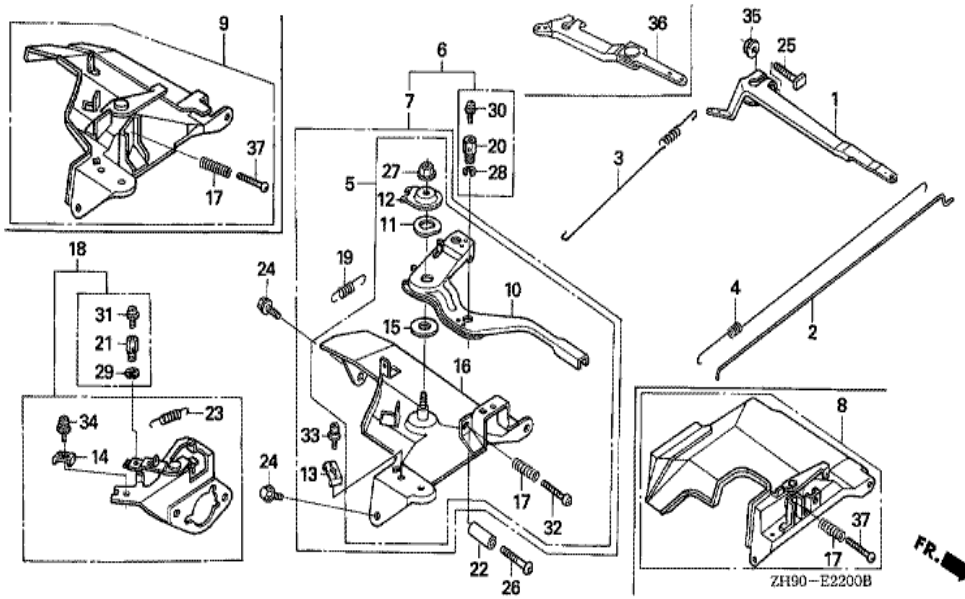
| Ref | Partnumber    | Description                  | GX270 | Serial Numbers |
|-----|---------------|------------------------------|-------|----------------|
| 001 | 19511-ZE2-000 | FAN, COOLING                 | 1     |                |
| 004 | 28451-ZE2-W01 | PULLEY, STARTER              | 1     |                |
| 005 | 31100-ZE2-010 | FLYWHEEL COMP.               | 1     |                |
| 008 | 90201-ZE3-V00 | NUT, SPECIAL, 16MM           | 1     |                |
| 009 | 90741-ZE2-000 | KEY, SPECIAL WOODRUFF, 25X18 | 1     |                |



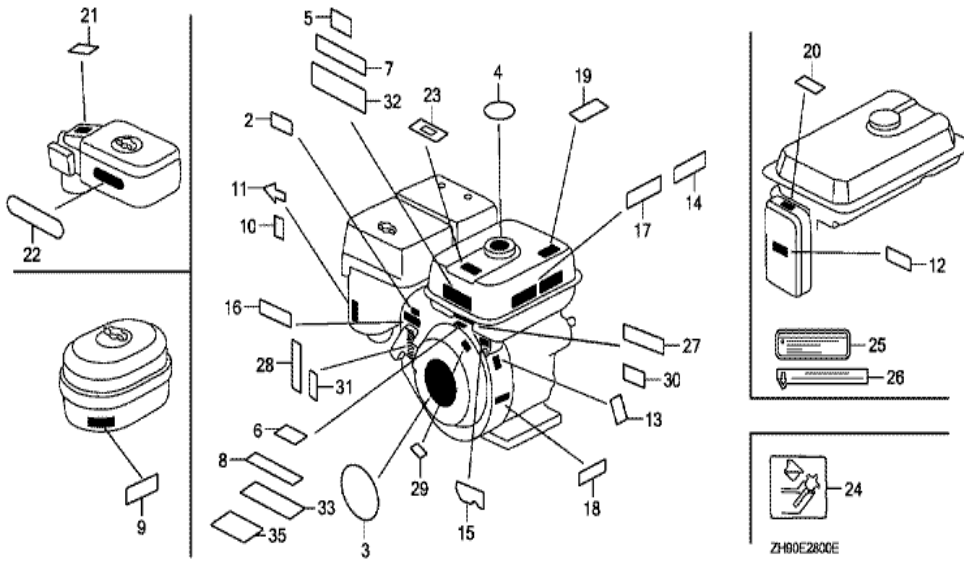
| Ref | Partnumber    | Description                    | GX270 | Serial Numbers |
|-----|---------------|--------------------------------|-------|----------------|
| 001 | 12200-ZH9-405 | HEAD COMP., CYLINDER           | 1     |                |
| 002 | 12204-ZE2-306 | GUIDE, IN. VALVE (O.S.)        | (1)   |                |
| 003 | 12205-ZE2-305 | GUIDE, EX. VALVE (OS)          | (1)   |                |
| 004 | 12216-ZE2-300 | CLIP, VALVE GUIDE              | 1     |                |
| 005 | 12251-ZH9-000 | GASKET, CYLINDER HEAD          | 1     |                |
| 006 | 12310-ZE2-020 | COVER COMP., HEAD              | 1     |                |
| 007 | 95005-1110030 | TUBE, 11X100 (95005-11001-30M) | 1     |                |
| 008 | 12391-ZE2-020 | PACKING, HEAD COVER            | 1     |                |
| 009 | 14775-ZE2-010 | SEAT, VALVE SPRING             | 1     |                |
| 011 | 90014-ZE2-000 | BOLT, HEAD COVER               | 1     |                |
| 012 | 90042-ZE2-000 | BOLT, STUD, 8X123              | 2     |                |
| 013 | 92900-080320E | BOLT, STUD, 8X32               | 2     |                |
| 014 | 90441-ZE2-010 | WASHER COMP., HEAD COVER       | 1     |                |
| Ref | Partnumber    | Description                    | GX270 | Serial Numbers |
| 015 | 94301-12200   | DOWEL PIN, 12X20               | 2     |                |
| 016 | 95725-1008000 | BOLT, FLANGE, 10X80            | 4     |                |
| 017 | 98079-55846   | PLUG, SPARK (BPR5ES) (NGK)     | (1)   |                |
| 017 | 98079-55855   | PLUG, SPARK (W16EPR-U) (DENSO) | (1)   |                |
| 017 | 98079-56846   | PLUG, SPARK (BPR6ES) (NGK)     | 1     |                |
| 017 | 98079-56855   | PLUG, SPARK (W20EPR-U) (DENSO) | 1     |                |



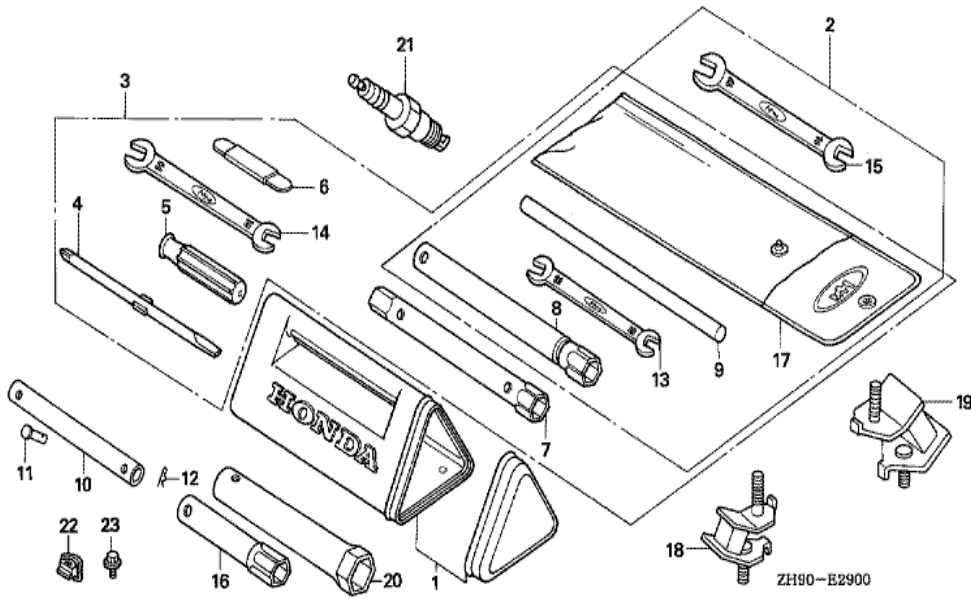




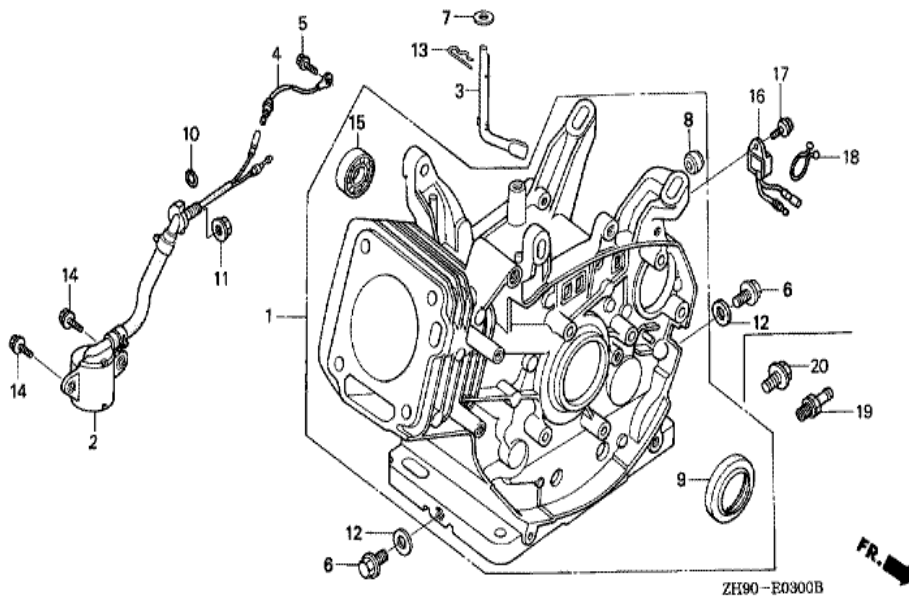
| Ref | Partnumber    | Description                              | GX270 | Serial Numbers |
|-----|---------------|--|-------|----------------|
| 001 | 16551-ZE2-000 | ARM, GOVERNOR                            | 1     |                |
| 002 | 16555-ZE2-000 | ROD, GOVERNOR                            | 1     |                |
| 003 | 16561-ZE2-000 | SPRING, GOVERNOR (L=145.0MM) (WIRE DIAME | 1     |                |
| 004 | 16562-ZE2-000 | SPRING, THROTTLE RETURN                  | 1     |                |
| 009 | 16570-ZE2-721 | CONTROL ASSY.                            | 1     |                |
| 017 | 16584-883-300 | SPRING, CONTROL ADJUSTING                | 1     |                |
| 024 | 90013-883-000 | BOLT, FLANGE, 6X12 (CT200)               | 2     |                |
| 025 | 90015-ZE5-010 | BOLT, GOVERNOR ARM                       | 1     |                |
| 035 | 94050-06000   | NUT, FLANGE, 6MM                         | 1     |                |
| 037 | 93500-050350A | SCREW, PAN, 5X35                         | 1     |                |



| Ref | Partnumber    | Description               | GX270 | Serial Numbers |
|-----|---------------|---------------------------|-------|----------------|
| 003 | 87521-ZH9-020 | EMBLEM (GX270 9.0)        | 1     | 2082940        |
| 003 | 87521-ZH9-030 | EMBLEM (GX270 9.0)        | 1     | 2082941        |
| 010 | 87528-ZE2-810 | MARK, CHOKE (ORANGE)      | 1     |                |
| 017 | 87532-ZH8-810 | MARK, OIL ALERT (ENGLISH) | 1     |                |



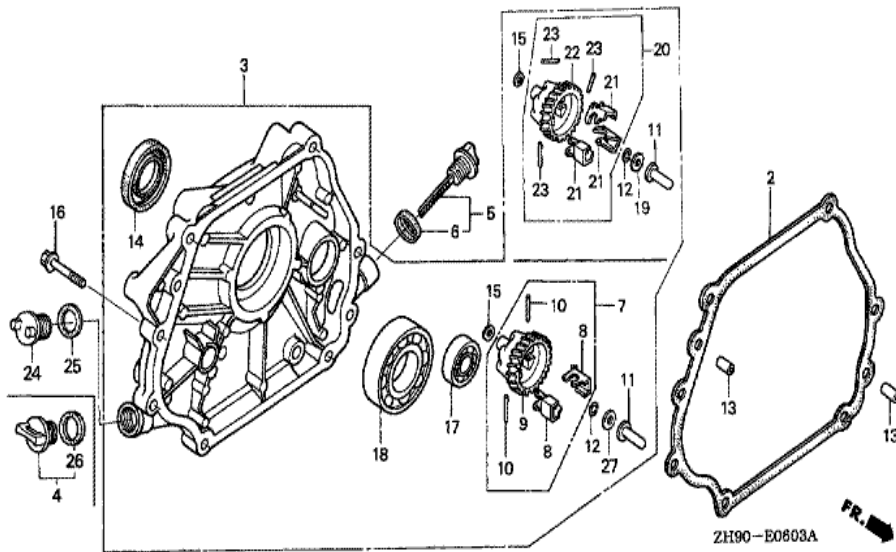
| Ref | Partnumber    | Description              | GX270 | Serial Numbers |
|-----|---------------|--------------------------|-------|----------------|
| 008 | 89218-ZE1-000 | WRENCH COMP., SPARK PLUG | (1)   |                |



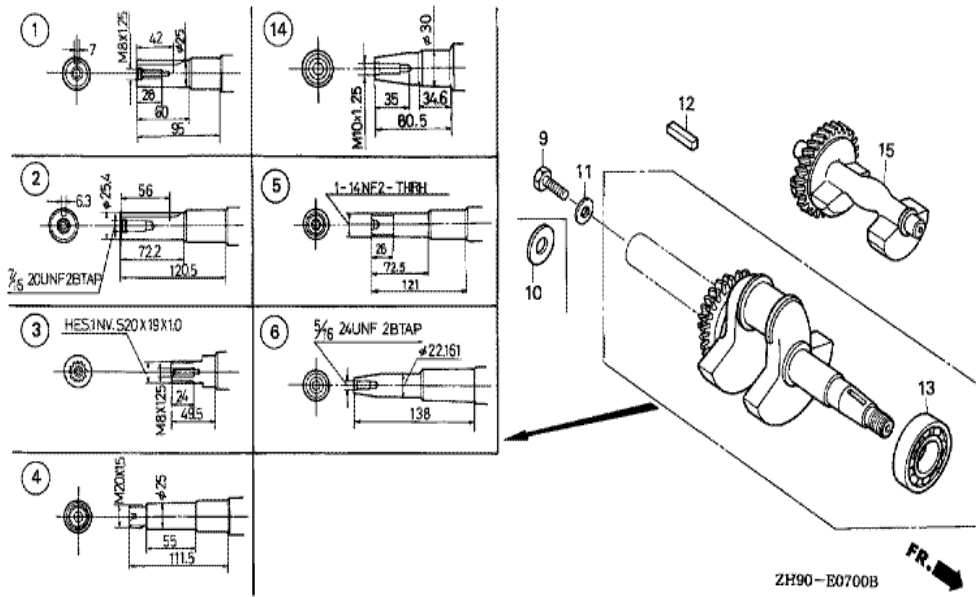
ZH90-E0300B

FR. →

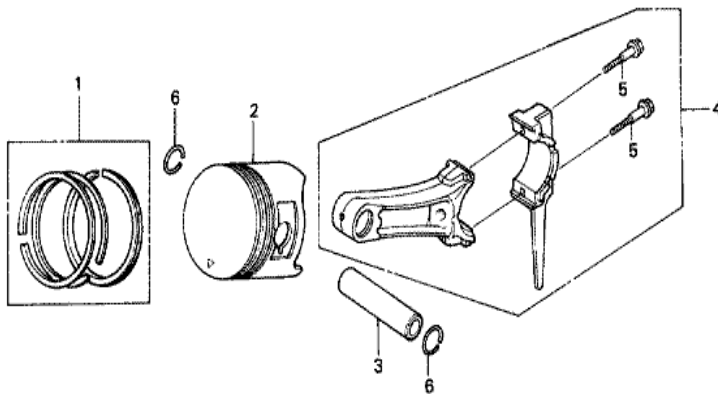
| <u>Ref</u> | <u>Partnumber</u> | <u>Description</u>                      | <u>GX270</u> | <u>Serial Numbers</u> |
|------------|-------------------|---|--------------|-----------------------|
| 001        | 12000-ZH9-Q00     | BARREL ASSY., CYLINDER (BALANCER+ALERT) | 1            |                       |
| 002        | 15510-ZE2-043     | SWITCH ASSY., OIL LEVEL                 | 1            |                       |
| 003        | 16541-ZE2-010     | SHAFT, GOVERNOR ARM                     | 1            |                       |
| 006        | 90131-883-000     | BOLT, DRAIN PLUG, 12X15                 | 2            |                       |
| 007        | 90446-KE1-000     | WASHER, 8.2X17X0.8                      | 1            |                       |
| 009        | 91201-890-003     | OIL SEAL, 30X46X8                       | 1            |                       |
| 010        | 91353-671-004     | O-RING, 14MM (NOK)                      | 1            |                       |
| 011        | 94050-10000       | NUT, FLANGE, 10MM                       | 1            |                       |
| 012        | 94109-12000       | WASHER, DRAIN PLUG, 12MM                | 2            |                       |
| 013        | 94251-10000       | PIN, LOCK, 10MM                         | 1            |                       |
| 014        | 95701-0601200     | BOLT, FLANGE, 6X12                      | 2            |                       |
| 015        | 96100-6202000     | BEARING, RADIAL BALL, 6202              | 1            |                       |
| 016        | 34150-ZH7-003     | ALERT UNIT, OIL                         | 1            |                       |
| <u>Ref</u> | <u>Partnumber</u> | <u>Description</u>                      | <u>GX270</u> | <u>Serial Numbers</u> |
| 017        | 90013-883-000     | BOLT, FLANGE, 6X12 (CT200)              | 1            |                       |



| Ref | Partnumber    | Description                | GX270 | Serial Numbers |
|-----|---------------|----------------------------|-------|----------------|
| 002 | 11381-ZE2-801 | PACKING, CASE COVER        | 1     |                |
| 003 | 11400-ZE2-603 | COVER ASSY., CRANKCASE     | 1     |                |
| 004 | 15600-ZG4-003 | CAP ASSY., OIL FILLER      | 1     |                |
| 005 | 15600-735-003 | CAP ASSY., OIL FILLER      | 1     |                |
| 006 | 15625-ZE1-003 | PACKING, OIL FILLER CAP    | 1     |                |
| 007 | 16510-ZE2-811 | GOVERNOR ASSY.             | 1     |                |
| 008 | 16511-ZE2-000 | WEIGHT, GOVERNOR           | 2     |                |
| 009 | 16512-ZE2-811 | HOLDER, GOVERNOR WEIGHT    | 1     |                |
| 010 | 16513-ZE2-000 | PIN, GOVERNOR WEIGHT       | 2     |                |
| 011 | 16531-Z0A-000 | SLIDER, GOVERNOR           | 1     |                |
| 012 | 90602-896-000 | CLIP, GOVERNOR HOLDER      | (1)   |                |
| 012 | 90602-ZE1-000 | CLIP, GOVERNOR HOLDER      | 1     |                |
| 013 | 90701-HC4-000 | DOWEL PIN, 8X12            | 2     |                |
| Ref | Partnumber    | Description                | GX270 | Serial Numbers |
| 014 | 91201-890-003 | OIL SEAL, 30X46X8          | 1     |                |
| 015 | 94101-06800   | WASHER, PLAIN, 6MM         | 1     |                |
| 016 | 95701-0803500 | BOLT, FLANGE, 8X35         | 7     |                |
| 017 | 96100-6202000 | BEARING, RADIAL BALL, 6202 | 1     |                |
| 018 | 96100-6206000 | BEARING, RADIAL BALL, 6206 | 1     |                |
| 026 | 15625-ZE1-003 | PACKING, OIL FILLER CAP    | 1     |                |



| Ref | Partnumber    | Description                    | GX270 | Serial Numbers |
|-----|---------------|--------------------------------|-------|----------------|
| 006 | 13310-ZH9-840 | CRANKSHAFT COMP.               | 1     |                |
| 013 | 91001-ZH9-003 | BEARING, RADIAL BALL (6206 SH) | 1     |                |
| 015 | 13351-ZE2-010 | WEIGHT, BALANCER               | 1     |                |

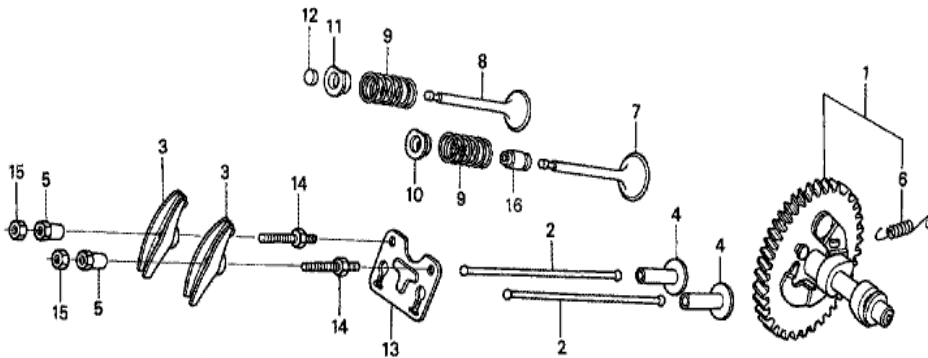


ZH90-E0800A



| <u>Ref</u> | <u>Partnumber</u> | <u>Description</u>                      | <u>GX270</u> | <u>Serial Numbers</u> |
|------------|-------------------|---|--------------|-----------------------|
| 001        | 13010-ZE8-601     | RING SET, PISTON (STD.) (NIPPON)        | 1            |                       |
| 001        | 13010-ZE8-602     | RING SET, PISTON (STD.) (TEIKOKU)       | 1            |                       |
| 001        | 13011-ZE8-601     | RING SET, PISTON (0.25) (NIPPON)        | (1)          |                       |
| 001        | 13011-ZE8-602     | RING SET, PISTON (0.25) (TEIKOKU)       | (1)          |                       |
| 001        | 13012-ZE8-601     | RING SET, PISTON (0.50) (NIPPON)        | (1)          |                       |
| 001        | 13012-ZE8-602     | RING SET, PISTON (0.50) (TEIKOKU)       | (1)          |                       |
| 001        | 13013-ZE8-601     | RING SET, PISTON (0.75) (NIPPON)        | (1)          |                       |
| 001        | 13013-ZE8-602     | RING SET, PISTON (0.75) (TEIKOKU)       | (1)          |                       |
| 002        | 13101-ZH9-000     | PISTON (STD.)                           | 1            |                       |
| 002        | 13102-ZH9-000     | PISTON (0.25)                           | (1)          |                       |
| 002        | 13103-ZH9-000     | PISTON (0.50)                           | (1)          |                       |
| 002        | 13104-ZH9-000     | PISTON (0.75)                           | (1)          |                       |
| 003        | 13111-ZE2-000     | PIN, PISTON                             | 1            |                       |
| <u>Ref</u> | <u>Partnumber</u> | <u>Description</u>                      | <u>GX270</u> | <u>Serial Numbers</u> |
| 004        | 13200-ZE2-010     | ROD ASSY., CONNECTING (STD.)            | 1            |                       |
| 004        | 13200-ZE2-305     | ROD ASSY., CONNECTING (0.25 UNDER SIZE) | (1)          |                       |
| 005        | 90001-ZE8-000     | BOLT, CONNECTING ROD                    | 2            |                       |
| 006        | 90551-ZE1-000     | CLIP, PISTON PIN, 18MM                  | 2            |                       |

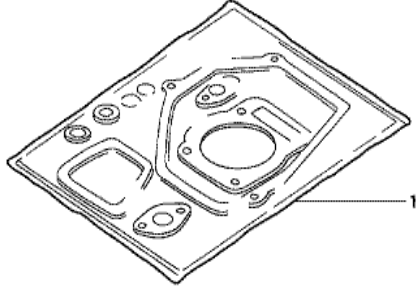




ZH90-E0900A



| <u>Ref</u> | <u>Partnumber</u> | <u>Description</u>         | <u>GX270</u> | <u>Serial Numbers</u> |
|------------|-------------------|----------------------------|--------------|-----------------------|
| 001        | 14100-ZE3-020     | CAMSHAFT ASSY.             | 1            |                       |
| 002        | 14410-ZE2-013     | ROD, PUSH                  | 2            |                       |
| 003        | 14431-ZE2-010     | ARM, VALVE ROCKER          | 2            |                       |
| 004        | 14441-ZE2-000     | LIFTER, VALVE              | 2            |                       |
| 005        | 14451-ZE1-013     | PIVOT, ROCKER ARM          | 2            |                       |
| 006        | 14568-ZE1-000     | SPRING, WEIGHT RETURN      | 1            |                       |
| 007        | 14711-ZE2-000     | VALVE, IN.                 | 1            |                       |
| 008        | 14721-ZE2-000     | VALVE, EX.                 | 1            |                       |
| 009        | 14751-ZE2-003     | SPRING, VALVE              | 2            |                       |
| 010        | 14771-ZE2-000     | RETAINER, IN. VALVE SPRING | 1            |                       |
| 011        | 14773-ZE2-000     | RETAINER, EX. VALVE SPRING | 1            |                       |
| 012        | 14781-ZE2-000     | ROTATOR, VALVE             | 1            |                       |
| 013        | 14791-ZE2-010     | GUIDE, PUSH ROD            | 1            |                       |
| <u>Ref</u> | <u>Partnumber</u> | <u>Description</u>         | <u>GX270</u> | <u>Serial Numbers</u> |
| 014        | 90012-ZE0-010     | BOLT, PIVOT, 8MM           | 2            |                       |
| 015        | 90206-ZE1-000     | NUT, PIVOT ADJUSTING       | 2            |                       |
| 016        | 12209-ZE8-003     | SEAL, VALVE STEM           | 1            |                       |



HENG-X0003

| <u>Ref</u> | <u>Partnumber</u> | <u>Description</u> | <u>GX270</u> | <u>Serial Numbers</u> |
|------------|-------------------|--------------------|--------------|-----------------------|
| 001        | 06111-ZK9-S01     | GASKET KIT         | 1            |                       |