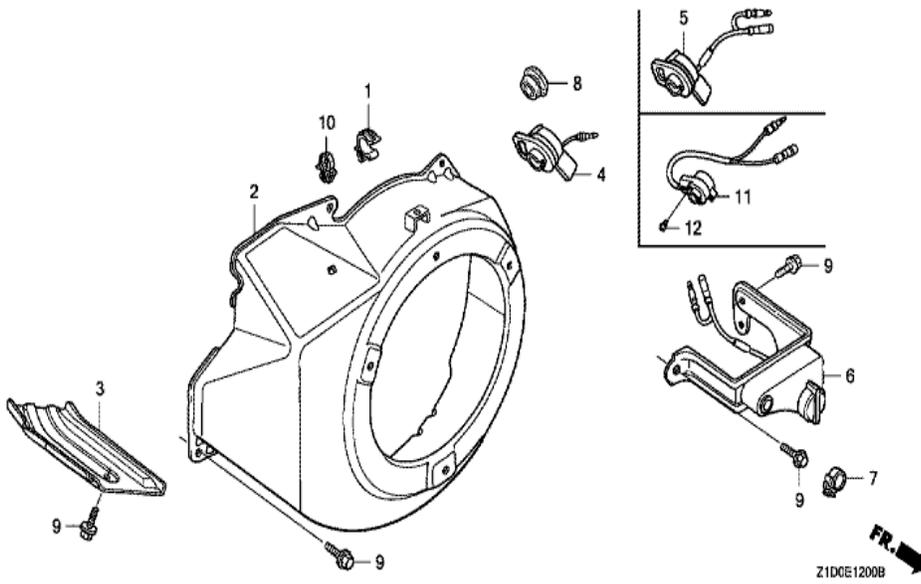


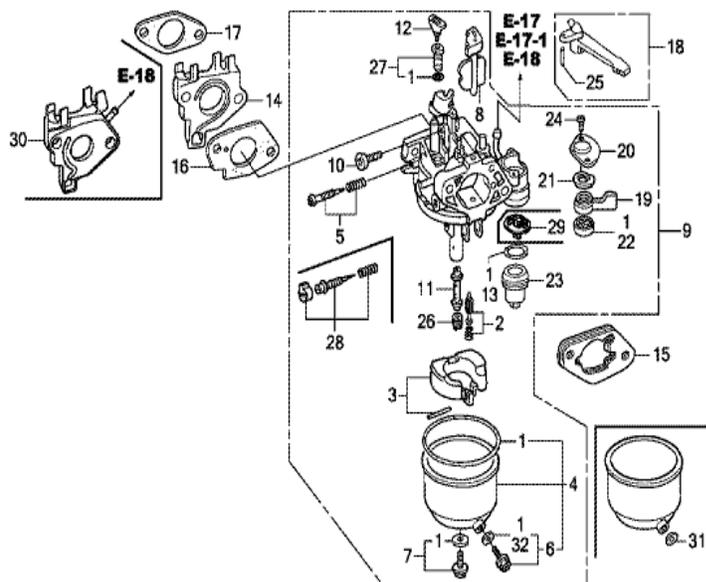
Z1D0E1100B

<u>Ref</u>	<u>Partnumber</u>	<u>Description</u>	<u>GX270T</u>	<u>Serial Numbers</u>
001	28400-ZE2-W01ZN	STARTER ASSY., RECOIL *R280 *	1	1182150
001	28400-ZE2-W02ZN	STARTER ASSY., RECOIL *R280*	1	1182151
002	28410-ZE2-W01ZN	CASE COMP., RECOIL STARTER *R280 *	1	
003	28421-ZE2-W01	PULLEY, RECOIL STARTER	1	
004	28422-ZE2-W01	RATCHET, STARTER	2	
005	28441-ZE2-W01	SPRING, FRICTION	1	
006	28442-ZE2-W01	SPRING, STARTER RETURN	1	
007	28443-ZE2-W01	SPRING, RATCHET	2	
008	28444-ZE2-W01	RETAINER, SPRING	1	
009	28461-ZE2-W02	GRIP, STARTER	1	1182150
009	28461-ZE2-W03	GRIP, STARTER	1	1182151
010	28462-ZE2-W11	ROPE, RECOIL STARTER	1	
011	90004-ZE2-W01	SCREW, CENTER	1	
<u>Ref</u>	<u>Partnumber</u>	<u>Description</u>	<u>GX270T</u>	<u>Serial Numbers</u>
012	90008-ZE2-003	BOLT, FLANGE, 6X10	3	



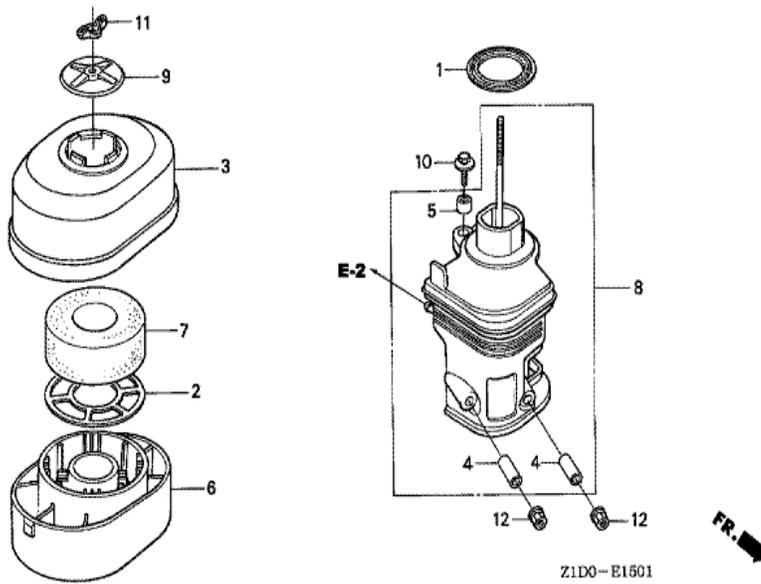
Z1DGE1200B

<u>Ref</u>	<u>Partnumber</u>	<u>Description</u>	<u>GX270T</u>	<u>Serial Numbers</u>
001	16731-ZE2-003	CLIP, TUBE	1	
002	19610-ZE2-010ZL	COVER COMP., FAN *R280 *	1	
003	19631-ZE2-D00	SHROUD	1	
004	35120-Z0D-V81	SWITCH ASSY., ENGINE STOP	1	
007	36103-ZE1-000	HOLDER, STOP SWITCH CORD	1	
009	90013-883-000	BOLT, FLANGE, 6X12 (CT200)	6	



Z1DGE140DG

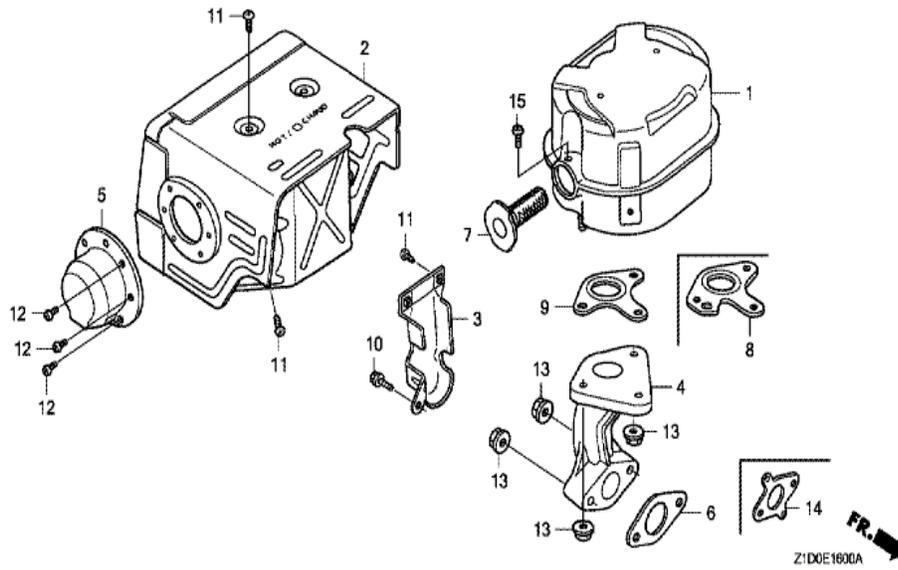
<u>Ref</u>	<u>Partnumber</u>	<u>Description</u>	<u>GX270T</u>	<u>Serial Numbers</u>
001	16010-ZE2-015	GASKET SET	1	
002	16011-ZA0-931	VALVE SET, FLOAT	1	
003	16013-Z1C-003	FLOAT SET	1	
004	16015-ZE8-005	CHAMBER SET, FLOAT	1	
005	16016-ZA0-931	SCREW SET, PILOT	1	
007	16028-ZE0-005	SCREW SET	1	
008	16044-ZE2-005	CHOKE SET	1	
009	16100-Z1D-821	CARBURETOR ASSY. (BE75G A)	1	
010	16124-ZE0-005	SCREW, THROTTLE STOP	1	
011	16166-ZH9-820	NOZZLE, MAIN	1	
013	16173-001-004	PACKING, FUEL STRAINER CUP	1	
014	16211-ZE2-000	INSULATOR, CARBURETOR	1	
015	16220-ZA0-702	SPACER COMP., CARBURETOR	1	
<u>Ref</u>	<u>Partnumber</u>	<u>Description</u>	<u>GX270T</u>	<u>Serial Numbers</u>
016	16221-ZA0-800	PACKING, CARBURETOR	1	
017	16223-ZA0-800	PACKING, INSULATOR	1	
018	16610-ZE1-000	LEVER COMP., CHOKE (STD.)	1	
019	16953-ZE1-812	LEVER, COCK	1	
020	16954-ZE1-812	PLATE, LEVER SETTING	1	
021	16956-ZE1-811	SPRING, COCK LEVER	1	
022	16957-ZE1-812	PACKING, FUEL COCK	1	
023	16967-ZE0-811	CUP, FUEL STRAINER	1	
024	93500-030061H	SCREW, PAN, 3X6	2	
025	94305-20122	PIN, SPRING, 2X12	1	
026	99101-ZH80820	JET, MAIN, #82	(1)	
026	99101-ZH80850	JET, MAIN, #85	(1)	
026	99101-ZH80880	JET, MAIN, #88	1	
027	99204-ZE00400	JET SET, PILOT, #40	1	
031	16141-ZOS-003	WASHER, PLAIN (6.2X10.7 DRAIN)	1	



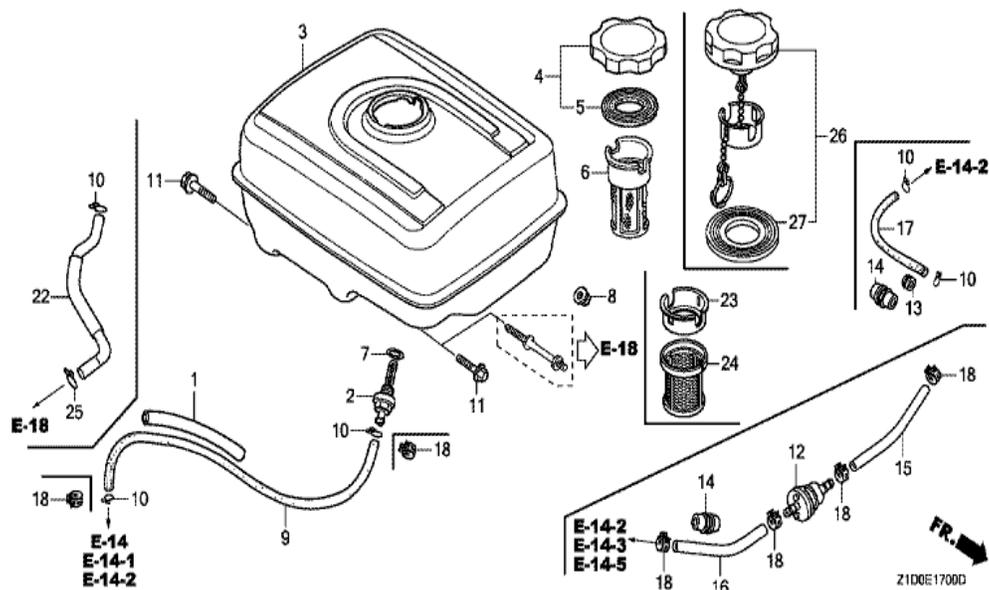
Z1D0-E1501

FR. →

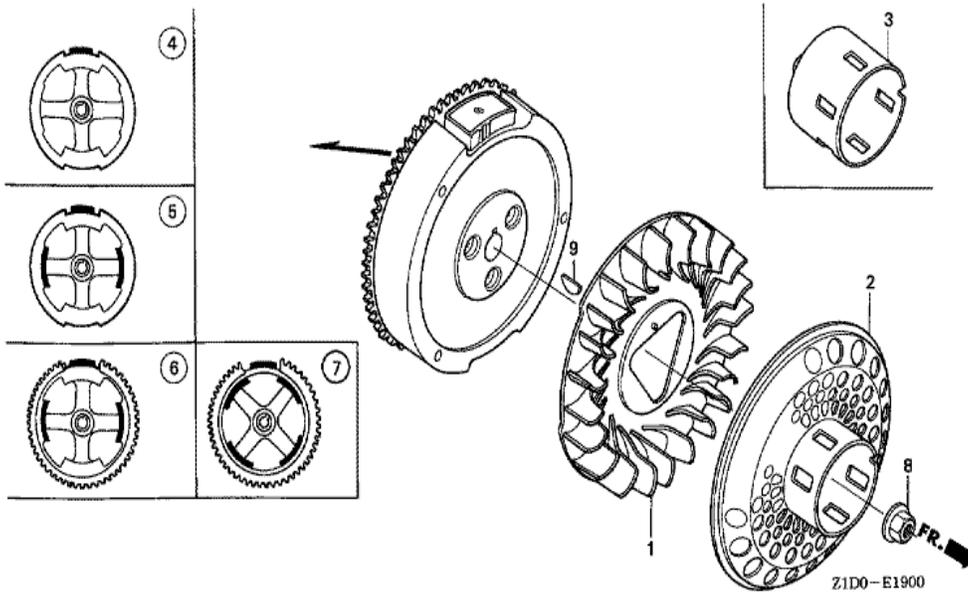
Ref	Partnumber	Description	GX270T	Serial Numbers
001	16271-ZE2-010	PACKING, ELBOW	1	
002	17212-ZE2-810	GRID, AIR CLEANER (OIL BATH)	1	
003	17231-ZE2-810	COVER, AIR CLEANER (OIL BATH)	1	
004	17238-ZE2-310	COLLAR, AIR CLEANER	2	
005	17239-ZE1-000	COLLAR B, AIR CLEANER	1	
006	17402-ZE2-810	PAN, CLEANER OIL (OIL BATH)	1	
007	17403-ZE2-810	ELEMENT, AIR CLEANER (OIL BATH)	1	
008	17410-ZE2-030	ELBOW COMP,AIR/C	1	
009	17420-ZE2-000	CAP COMP., AIR CLEANER	1	
010	90009-Z1C-000	BOLT-WASHER, 6X22	1	
011	90325-044-000	NUT, TOOL BOX SETTING	1	
012	94050-06000	NUT, FLANGE, 6MM	2	



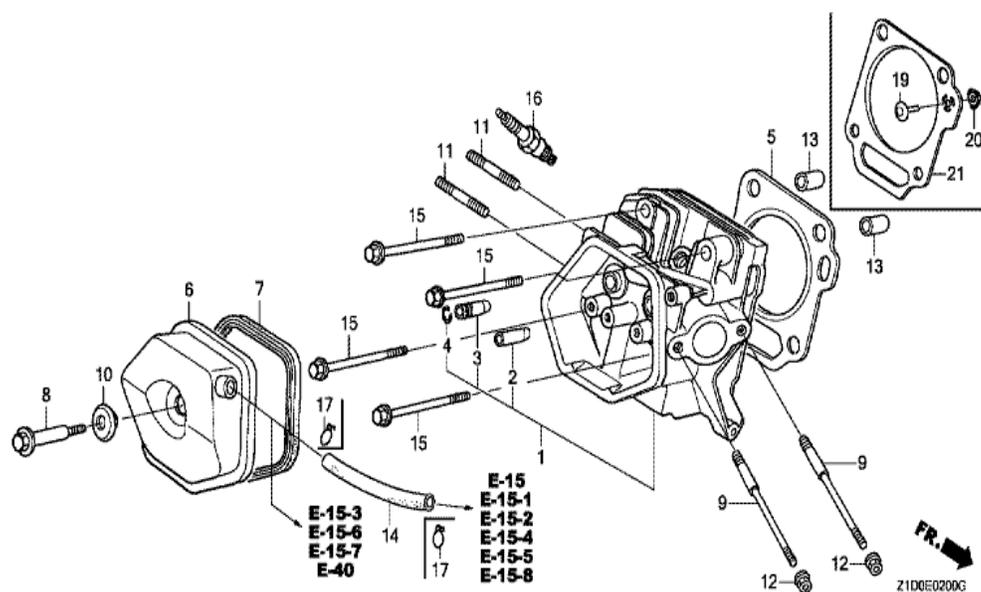
Ref	Partnumber	Description	GX270T	Serial Numbers
001	18310-ZE2-W01	MUFFLER COMP.	1	
002	18320-ZE2-W01	PROTECTOR COMP., MUFFLER (STD.)	1	
004	18330-ZE2-W00	PIPE, EX.	1	
005	18331-ZE2-810	CAP, MUFFLER	1	
006	18333-Z1C-801	GASKET, EX. PIPE	1	1060425
006	18333-ZE3-800	GASKET, EX. PIPE	1	1060424
009	18381-Z1C-801	GASKET, MUFFLER (THAI LEAKLESS)	1	1060425
009	18381-ZE2-800	GASKET, MUFFLER (NIPPON LEAKLESS)	1	1060424
011	90050-ZE1-000	SCREW, TAPPING, 5X8	4	
012	90055-ZE1-000	SCREW, TAPPING, 4X6	3	
013	94050-08000	NUT, FLANGE, 8MM	5	



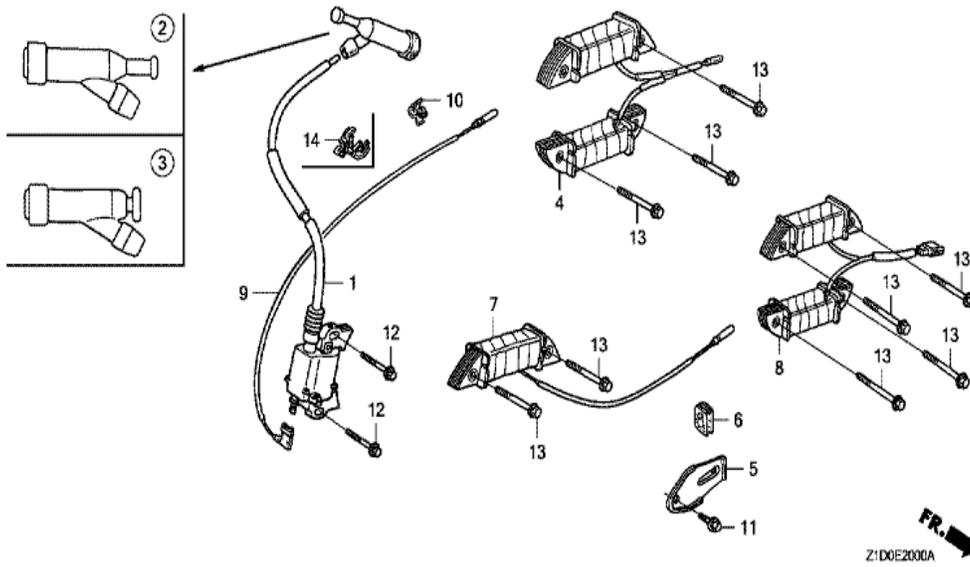
Ref	Partnumber	Description	GX270T	Serial Numbers
001	16854-ZH8-000	RUBBER, SUPPORTER (107MM)	1	
002	16955-ZE1-000	JOINT, FUEL TANK	1	1194370
002	16955-ZE1-010	JOINT, FUEL TANK	1	1194371
003	17510-ZE2-020ZA	TANK COMP., FUEL *NH31 *	1	
004	17620-Z0T-813	CAP COMP., FUEL FILLER (CHROME PLATED) (1	
004	17620-Z1T-800	CAP COMP., FUEL FILLER (CHROME PLATED) (1	1176432
005	17631-Z0T-801	PACKING, FUEL FILLER CAP (39X62X3) (RADI	1	
005	17631-Z1T-800	PACKING, FUEL FILLER CAP (39X62X3) (TOUY	1	1176432
006	17672-ZE2-W01	FILTER, FUEL	1	
007	91353-671-004	O-RING, 14MM (NOK)	1	
008	94050-08000	NUT, FLANGE, 8MM	2	
009	95001-4522240	TUBE, FUEL, 4.5X222 (95001-45001-60M)	1	
010	95002-02080	CLIP, TUBE (B8)	2	
Ref	Partnumber	Description	GX270T	Serial Numbers
011	95701-0802500	BOLT, FLANGE, 8X25	2	



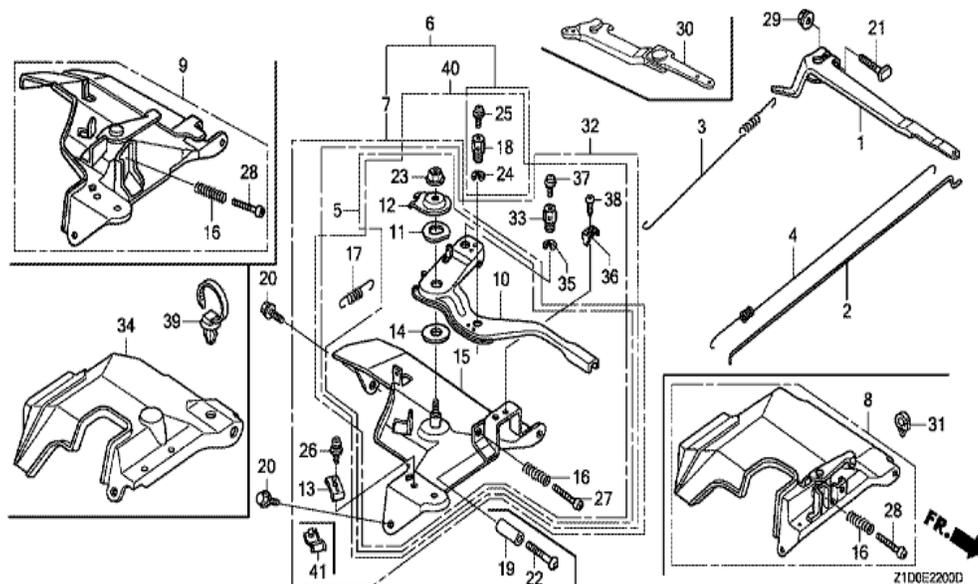
Ref	Partnumber	Description	GX270T	Serial Numbers
001	19511-ZE2-000	FAN, COOLING	1	
002	28450-ZE2-W11	PULLEY COMP., STARTER (SCREEN GRID)	1	
005	31100-ZE2-812	FLYWHEEL COMP. (LAMP)	1	
008	90201-ZE3-V00	NUT, SPECIAL, 16MM	1	
009	90741-ZE2-000	KEY, SPECIAL WOODRUFF, 25X18	1	



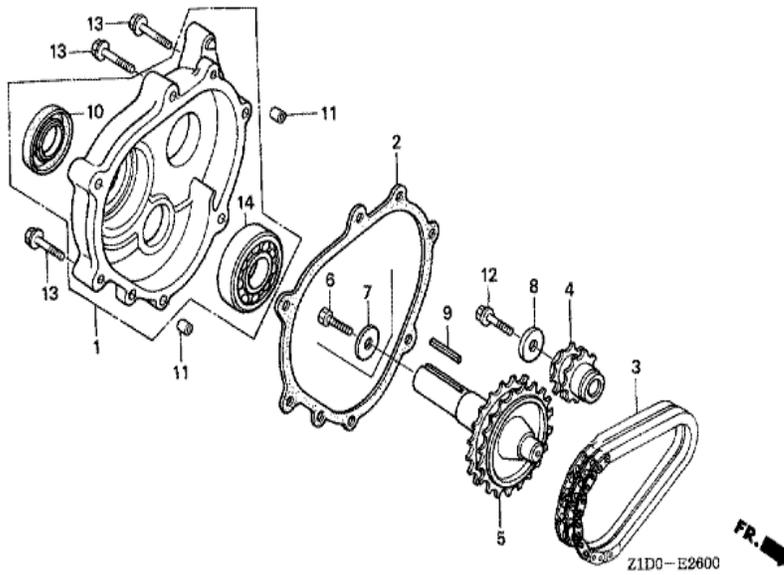
Ref	Partnumber	Description	GX270T	Serial Numbers
001	12200-Z1D-405	HEAD COMP., CYLINDER	1	
002	12204-ZE2-306	GUIDE, IN. VALVE (O.S.)	1	
003	12205-ZE2-305	GUIDE, EX. VALVE (OS)	1	
004	12216-ZE2-300	CLIP, VALVE GUIDE	1	
005	12251-Z1D-801	GASKET, CYLINDER HEAD (THAI LEAKLESS)	1	1060425
005	12251-ZH9-000	GASKET, CYLINDER HEAD	1	1060424
006	12310-ZE2-020	COVER COMP., HEAD	1	
007	12391-ZE2-020	PACKING, HEAD COVER	1	
008	90014-ZE2-000	BOLT, HEAD COVER	1	
009	90042-ZE2-000	BOLT, STUD, 8X123	2	
010	90441-ZE2-010	WASHER COMP., HEAD COVER	1	
011	92900-080320E	BOLT, STUD, 8X32	2	
013	94301-12200	DOWEL PIN, 12X20	2	
Ref	Partnumber	Description	GX270T	Serial Numbers
014	95005-1110030	TUBE, 11X100 (95005-11001-30M)	1	
015	95701-1008000	BOLT, FLANGE, 10X80	4	
016	98079-55876	PLUG, SPARK (BPR5ES) (NGK)	(1)	
016	98079-56876	PLUG, SPARK (BPR6ES) (NGK)	1	



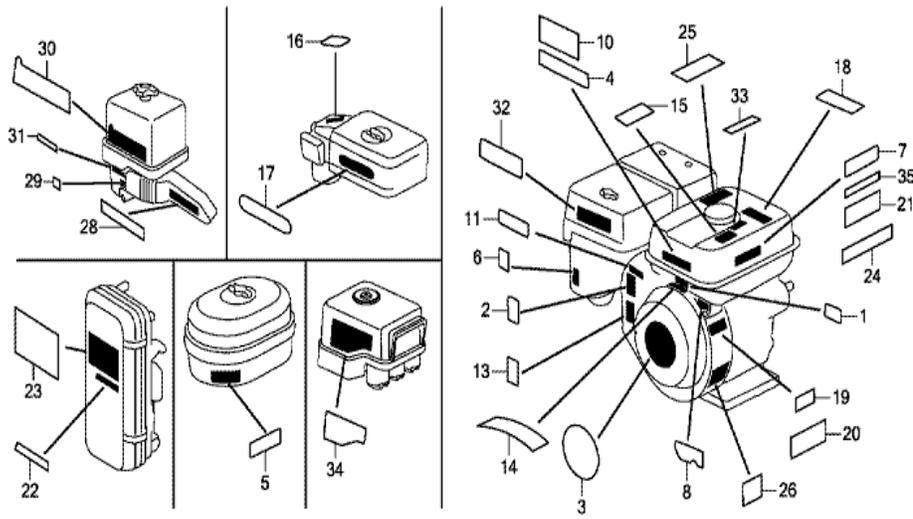
Ref	Partnumber	Description	GX270T	Serial Numbers
001	30500-Z1C-013	COIL ASSY., IGNITION	1	1076438
001	30500-Z1C-023	COIL ASSY., IGNITION	1	1076439
003	30700-Z1C-811	CAP ASSY., NOISE SUPPRESSOR (NGK Y-EZD)	1	
004	31510-ZE2-811	COIL ASSY., LAMP (12V/50W)	1	
005	31511-ZE2-000	CLAMPER, CORD	1	
006	31512-ZE2-000	GROMMET, CORD	1	
009	36101-ZE1-010	CORD, STOP SWITCH (370MM)	1	
011	90013-883-000	BOLT, FLANGE, 6X12 (CT200)	1	
013	90015-883-000	BOLT, FLANGE, 6X28 (CT200)	4	



Ref	Partnumber	Description	GX270T	Serial Numbers
001	16551-ZE2-000	ARM, GOVERNOR	1	
002	16555-ZE2-000	ROD, GOVERNOR	1	
003	16561-ZE2-000	SPRING, GOVERNOR (L=145.0MM) (WIRE DIAME	1	
004	16562-ZE2-000	SPRING, THROTTLE RETURN	1	
007	16570-ZE2-W20	CONTROL ASSY. (REMOTE)	1	
010	16571-ZE2-W00	LEVER, CONTROL	1	
011	16574-ZE1-000	SPRING, LEVER	1	
012	16575-ZE2-W00	WASHER, CONTROL LEVER	1	
013	16576-891-000	HOLDER, CABLE	1	
014	16578-ZE1-000	SPACER, CONTROL LEVER	1	
015	16581-ZE2-W00	BASE COMP., CONTROL (###)	1	
016	16584-883-300	SPRING, CONTROL ADJUSTING	1	
017	16592-883-310	SPRING, CABLE RETURN	1	
Ref	Partnumber	Description	GX270T	Serial Numbers
020	90013-883-000	BOLT, FLANGE, 6X12 (CT200)	2	
021	90015-ZE5-010	BOLT, GOVERNOR ARM	1	
023	90114-SA0-000	NUT, SELF-LOCK, 6MM	1	
026	93500-050160A	SCREW, PAN, 5X16	1	
027	93500-050280A	SCREW, PAN, 5X28	1	
029	94050-06000	NUT, FLANGE, 6MM	1	

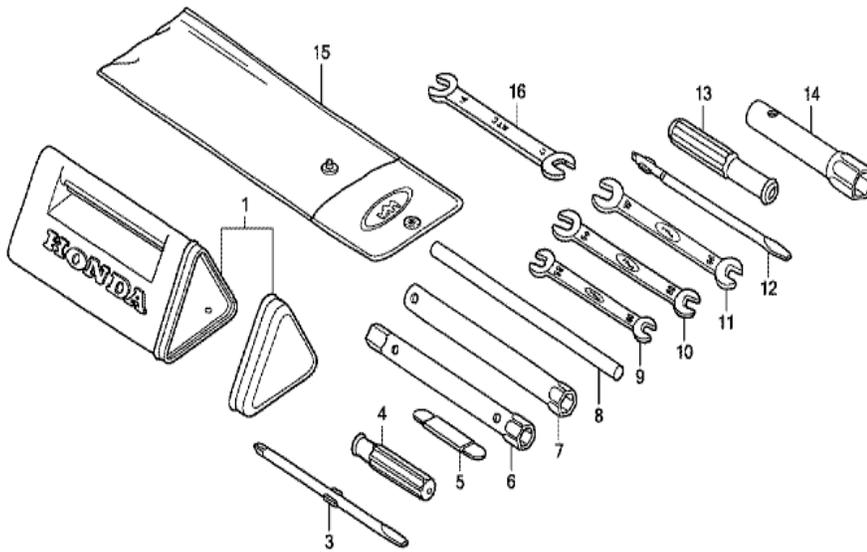


Ref	Partnumber	Description	GX270T	Serial Numbers
001	11500-ZE2-610	COVER ASSY., CHAIN CASE	1	
002	11521-ZE2-800	PACKING, CHAIN CASE COVER	1	
003	14411-ZE2-611	CHAIN, P.T.O. DRIVE	1	
004	23110-ZE2-610	SPROCKET, DRIVE (14T)	1	
005	23710-ZE2-610	SHAFT, P.T.O. (28T)	1	
008	90473-842-000	WASHER, 8MM	1	
009	90741-805-000	KEY, 7X7X33	1	
009	90741-889-810	KEY, 7X7X33 (YELLOW) (O.S.)	(1)	
010	91201-890-003	OIL SEAL, 30X46X8	1	
011	94301-08140	DOWEL PIN, 8X14	2	
012	95701-0802500	BOLT, FLANGE, 8X25	1	
013	95701-0804000	BOLT, FLANGE, 8X40	6	
014	96100-6206000	BEARING, RADIAL BALL, 6206	1	



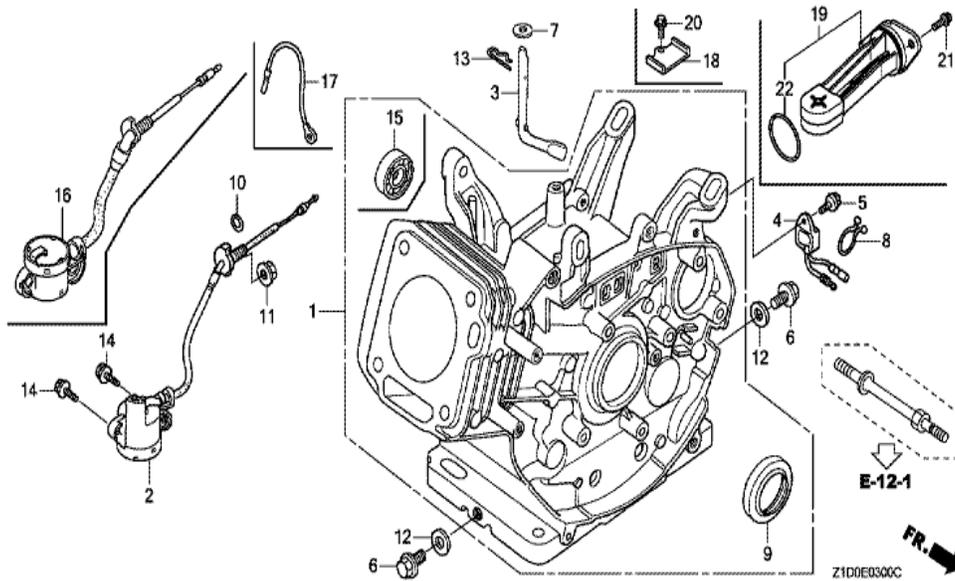
Z1D0E2800K

Ref	Partnumber	Description	GX270T	Serial Numbers
001	87135-ZE2-020	LABEL, E-SPEC (15.5X27.5)	1	
003	87521-ZH9-030	EMBLEM (GX270 9.0)	1	1092598
003	87521-ZH9-040	EMBLEM (GX270)	1	1092599
004	87522-Z0T-800	LABEL, CAUTION	2	
005	87524-Z0T-800	MARK, AIR CLEANER CAUTION (OIL BATH)	1	
006	87528-ZE2-810	MARK, CHOKE (ORANGE)	1	
013	87114-ZH7-000	LABEL, WARNING (NOT CERTIFIED FOR SALE)	1	

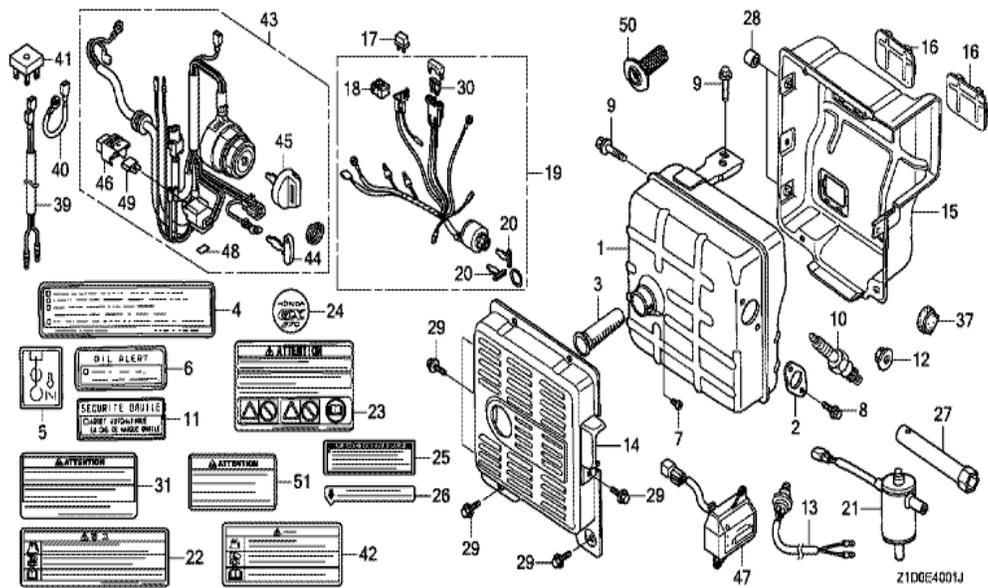


Z1DGE2900B

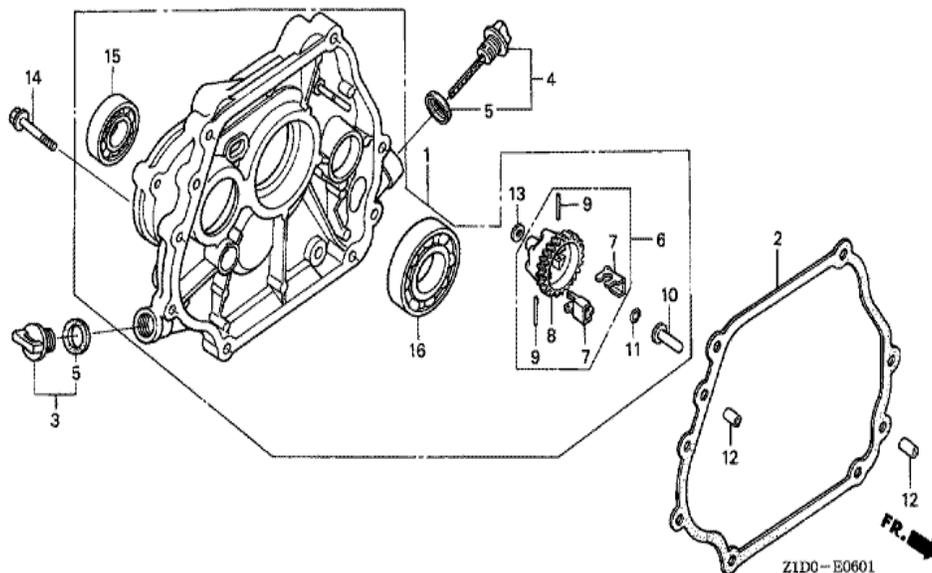
Ref	Partnumber	Description	GX270T	Serial Numbers
001	83501-ZF1-000	BOX, TOOL	1	
003	89102-538-000	DRIVER, SCREW (NO.2 + -)	1	
004	89103-538-000	GRIP	1	
005	89210-ZF1-000	GAUGE ASSY., THICKNESS	1	
006	89216-ZF1-000	WRENCH, BOX	1	
007	89216-Z0T-800	WRENCH, SPARK PLUG	1	
008	89219-805-000	HANDLE, BOX WRENCH	1	
009	99001-10120	SPANNER, 10X12	1	
010	99001-10140	SPANNER, 10X14	1	
015	99008-02300	BAG, TOOL, 230MM	1	



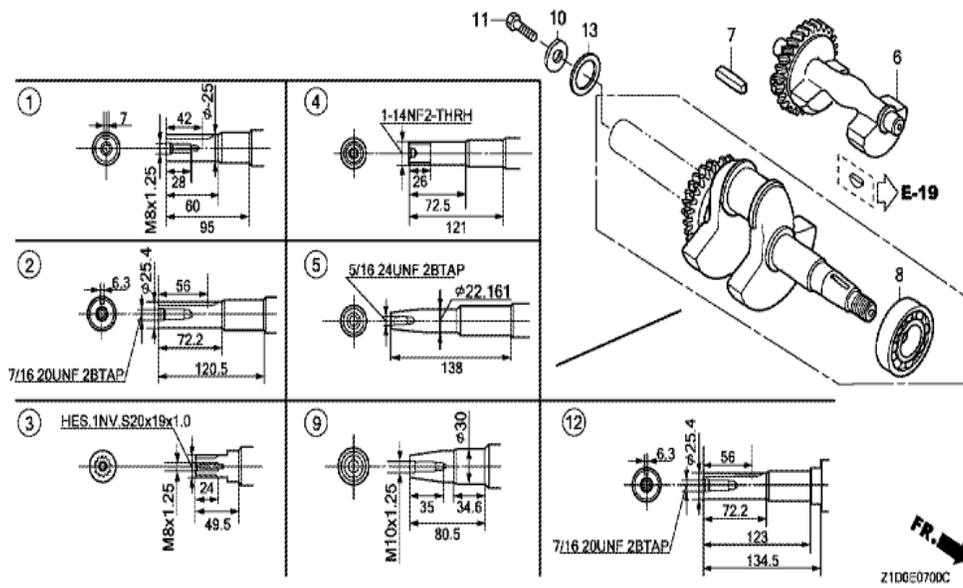
Ref	Partnumber	Description	GX270T	Serial Numbers
001	12000-Z1D-405	BARREL ASSY., CYLINDER (STD.)	1	
003	16541-ZE2-010	SHAFT, GOVERNOR ARM	1	
006	90131-883-000	BOLT, DRAIN PLUG, 12X15	2	
007	90446-KE1-000	WASHER, 8.2X17X0.8	1	
009	91201-Z1D-003	OIL SEAL, 30X46X8 (NOK ASIA)	1	
012	94109-12000	WASHER, DRAIN PLUG, 12MM	2	
013	94251-10000	PIN, LOCK, 10MM	1	



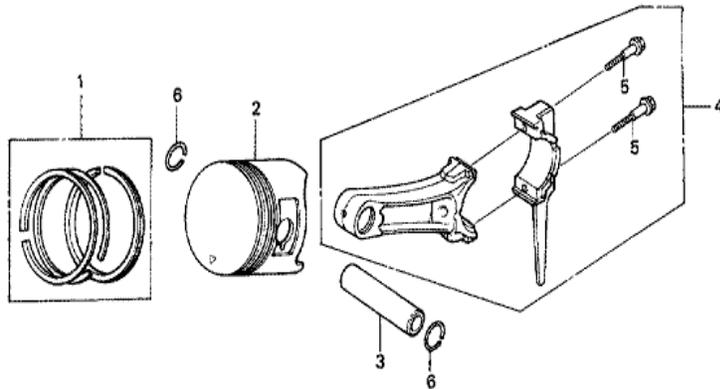
Ref	Partnumber	Description	GX270T	Serial Numbers
010	98079-56876	PLUG, SPARK (BPR6ES) (NGK)	1	



Ref	Partnumber	Description	GX270T	Serial Numbers
001	11300-ZE2-612	COVER ASSY., CRANKCASE	1	
002	11381-ZE2-801	PACKING, CASE COVER	1	
003	15600-Z0T-820	CAP ASSY., OIL FILLER (BLACK)	1	
004	15600-Z1C-000	CAP ASSY., OIL FILLER	1	
005	15625-Z0T-800	PACKING, OIL FILLER CAP	2	
006	16510-ZE2-000	GOVERNOR ASSY.	1	
007	16511-ZE2-000	WEIGHT, GOVERNOR	2	
008	16512-ZE2-000	HOLDER, GOVERNOR WEIGHT	1	
009	16513-ZE2-000	PIN, GOVERNOR WEIGHT	2	
010	16531-Z0A-000	SLIDER, GOVERNOR	1	
011	90602-ZE1-000	CLIP, GOVERNOR HOLDER	1	
012	90701-HC4-000	DOWEL PIN, 8X12	2	
013	94101-06800	WASHER, PLAIN, 6MM	1	
Ref	Partnumber	Description	GX270T	Serial Numbers
014	95701-0803500	BOLT, FLANGE, 8X35	7	
015	96100-6204000	BEARING, RADIAL BALL, 6204	1	
016	96100-6206000	BEARING, RADIAL BALL, 6206	1	



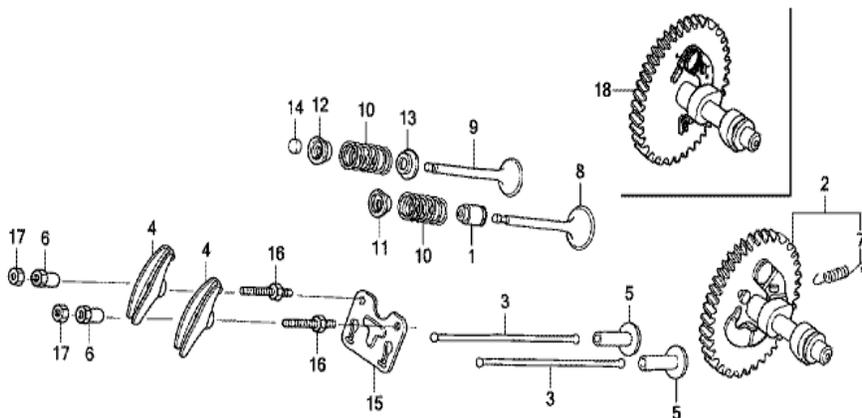
Ref	Partnumber	Description	GX270T	Serial Numbers
003	13310-ZH9-610	CRANKSHAFT COMP.	1	1007773
003	13310-ZH9-611	CRANKSHAFT COMP.	1	1007774
008	91001-ZH9-003	BEARING, RADIAL BALL (6206 SH)	1	



Z1D0-E0800



<u>Ref</u>	<u>Partnumber</u>	<u>Description</u>	<u>GX270T</u>	<u>Serial Numbers</u>
001	13010-Z1D-801	RING SET, PISTON (STD.) (RIKEN)	1	1124482
001	13010-Z5H-004	RING SET, PISTON (STD.) (TPR)	1	1124483
001	13010-Z5K-003	RING SET, PISTON (STD.) (RIKEN)	1	1124483
001	13011-Z1D-801	RING SET, PISTON (0.25) (RIKEN)	(1)	1124482
001	13011-Z5H-004	RING SET, PISTON (0.25) (TPR)	(1)	1124483
001	13011-Z5K-003	RING SET, PISTON (0.25) (RIKEN)	(1)	1124483
001	13012-Z1D-801	RING SET, PISTON (0.50) (RIKEN)	(1)	1124482
001	13012-Z5H-004	RING SET, PISTON (0.50) (TPR)	(1)	1124483
001	13012-Z5K-003	RING SET, PISTON (0.50) (RIKEN)	(1)	1124483
001	13013-Z1D-801	RING SET, PISTON (0.75) (RIKEN)	(1)	1124482
001	13013-Z5H-004	RING SET, PISTON (0.75) (TPR)	(1)	1124483
001	13013-Z5K-003	RING SET, PISTON (0.75) (RIKEN)	(1)	1124483
002	13101-ZH9-000	PISTON (STD.)	1	1124482
<u>Ref</u>	<u>Partnumber</u>	<u>Description</u>	<u>GX270T</u>	<u>Serial Numbers</u>
002	13101-ZH9-010	PISTON (STD.)	1	1124483
002	13102-ZH9-000	PISTON (0.25)	(1)	1124482
002	13102-ZH9-010	PISTON (0.25)	(1)	1124483
002	13103-ZH9-000	PISTON (0.50)	(1)	1124482
002	13103-ZH9-010	PISTON (0.50)	(1)	1124483
002	13104-ZH9-000	PISTON (0.75)	(1)	1124482
002	13104-ZH9-010	PISTON (0.75)	(1)	1124483
003	13111-ZE2-000	PIN, PISTON	1	
004	13200-Z1D-000	ROD ASSY., CONNECTING (STD.)	1	
004	13200-Z1D-305	ROD ASSY., CONNECTING (0.25 UNDER SIZE)	(1)	
005	90001-ZE8-000	BOLT, CONNECTING ROD	2	
006	90551-ZE1-000	CLIP, PISTON PIN, 18MM	2	



FR. →
Z1DGE0900A

Ref	Partnumber	Description	GX270T	Serial Numbers
001	12209-ZE8-003	SEAL, VALVE STEM	1	
002	14100-ZH9-010	CAMSHAFT ASSY.	1	
003	14410-Z1D-000	ROD, PUSH	2	
004	14431-ZE2-010	ARM, VALVE ROCKER	2	
005	14441-ZE2-000	LIFTER, VALVE	2	
006	14451-ZE1-013	PIVOT, ROCKER ARM	2	
007	14568-ZE1-000	SPRING, WEIGHT RETURN	1	
008	14711-ZE2-000	VALVE, IN.	1	
009	14721-ZE2-000	VALVE, EX.	1	
010	14751-Z1C-000	SPRING, VALVE	2	
011	14771-ZE2-000	RETAINER, IN. VALVE SPRING	1	
012	14773-ZE2-000	RETAINER, EX. VALVE SPRING	1	
013	14775-ZE2-010	SEAT, VALVE SPRING	1	
Ref	Partnumber	Description	GX270T	Serial Numbers
014	14781-ZE2-000	ROTATOR, VALVE	1	
015	14791-ZE2-010	GUIDE, PUSH ROD	1	
016	90012-ZE0-010	BOLT, PIVOT, 8MM	2	
017	90206-ZE1-000	NUT, PIVOT ADJUSTING	2	