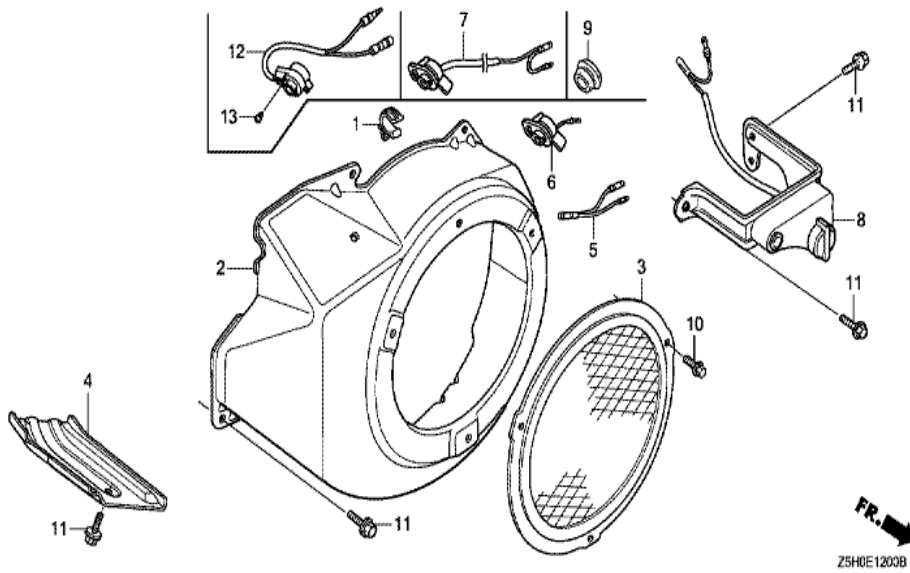
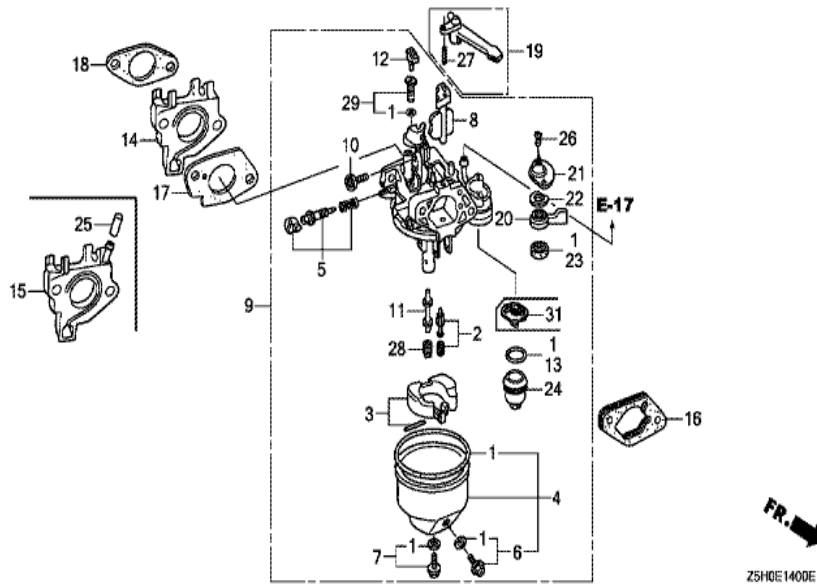


Z5H0E1100A

| <u>Ref</u> | <u>Partnumber</u> | <u>Description</u>                 | <u>GX270U</u> | <u>Serial Numbers</u> |
|------------|-------------------|------------------------------------|---------------|-----------------------|
| 001        | 28400-ZE2-W01ZN   | STARTER ASSY., RECOIL *R280 *      | 1             | 1232633               |
| 001        | 28400-ZE2-W02ZN   | STARTER ASSY., RECOIL *R280*       | 1             | 1232634               |
| 002        | 28410-ZE2-W01ZN   | CASE COMP., RECOIL STARTER *R280 * | 1             |                       |
| 003        | 28421-ZE2-W01     | PULLEY, RECOIL STARTER             | 1             |                       |
| 004        | 28422-ZE2-W01     | RATCHET, STARTER                   | 2             |                       |
| 005        | 28441-ZE2-W01     | SPRING, FRICTION                   | 1             |                       |
| 006        | 28442-ZE2-W01     | SPRING, STARTER RETURN             | 1             |                       |
| 007        | 28443-ZE2-W01     | SPRING, RATCHET                    | 2             |                       |
| 008        | 28444-ZE2-W01     | RETAINER, SPRING                   | 1             |                       |
| 009        | 28461-ZE2-W02     | GRIP, STARTER                      | 1             | 1232633               |
| 009        | 28461-ZE2-W03     | GRIP, STARTER                      | 1             | 1232634               |
| 010        | 28462-ZE2-W11     | ROPE, RECOIL STARTER               | 1             |                       |
| 011        | 90004-ZE2-W01     | SCREW, CENTER                      | 1             |                       |
| <u>Ref</u> | <u>Partnumber</u> | <u>Description</u>                 | <u>GX270U</u> | <u>Serial Numbers</u> |
| 012        | 90008-ZE2-003     | BOLT, FLANGE, 6X10                 | 3             |                       |

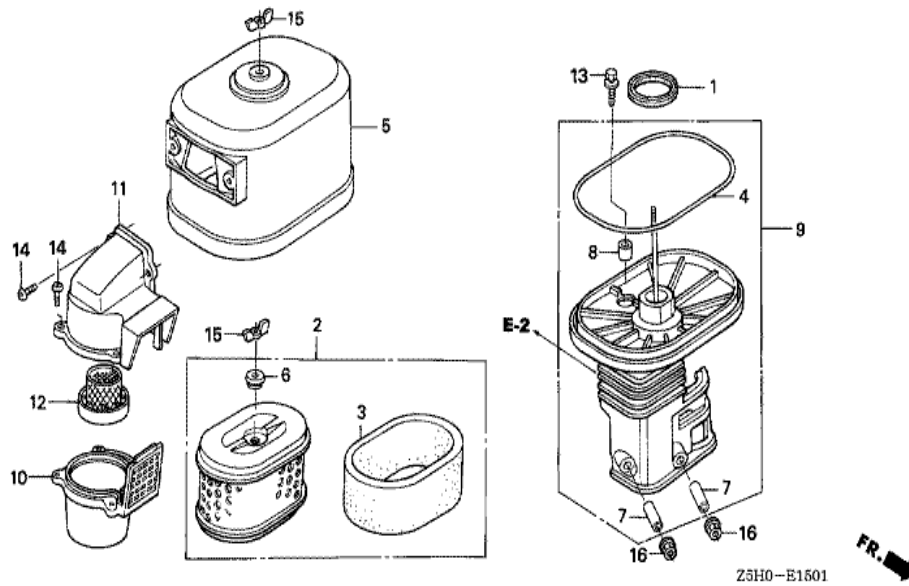


| Ref | Partnumber      | Description                | GX270U | Serial Numbers |
|-----|-----------------|----------------------------|--------|----------------|
| 001 | 16731-ZE2-003   | CLIP, TUBE                 | 1      |                |
| 002 | 19610-ZE2-010ZL | COVER COMP., FAN *R280 *   | 1      |                |
| 004 | 19631-ZE2-D00   | SHROUD                     | 1      |                |
| 007 | 36100-ZF6-P81   | SWITCH ASSY., ENGINE STOP  | 1      | 1183069        |
| 007 | 36100-ZF6-P82   | SWITCH ASSY., ENGINE STOP  | 1      | 1183070        |
| 011 | 90013-883-000   | BOLT, FLANGE, 6X12 (CT200) | 6      |                |



Z5H0E1400E

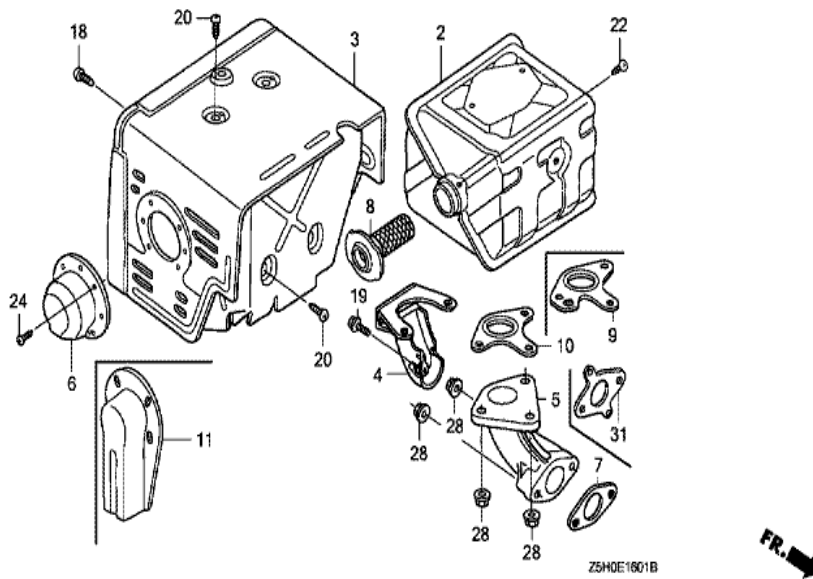
| <u>Ref</u> | <u>Partnumber</u> | <u>Description</u>         | <u>GX270U</u> | <u>Serial Numbers</u> |
|------------|-------------------|----------------------------|---------------|-----------------------|
| 001        | 16010-ZE2-812     | GASKET SET                 | 1             |                       |
| 002        | 16011-ZA0-931     | VALVE SET, FLOAT           | 1             |                       |
| 003        | 16013-ZA0-931     | FLOAT SET                  | 1             |                       |
| 004        | 16015-ZE8-005     | CHAMBER SET, FLOAT         | 1             |                       |
| 005        | 16016-ZH7-W01     | SCREW SET, PILOT           | 1             |                       |
| 006        | 16024-ZE1-811     | SCREW SET, DRAIN           | 1             |                       |
| 007        | 16028-ZE0-005     | SCREW SET                  | 1             |                       |
| 008        | 16044-ZE2-005     | CHOKE SET                  | 1             |                       |
| 009        | 16100-ZH9-802     | CARBURETOR ASSY. (BE24B D) | 1             |                       |
| 010        | 16124-ZE0-005     | SCREW, THROTTLE STOP       | 1             |                       |
| 011        | 16166-ZH9-000     | NOZZLE, MAIN               | 1             |                       |
| 013        | 16173-001-004     | PACKING, FUEL STRAINER CUP | 1             |                       |
| 014        | 16211-ZE2-000     | INSULATOR, CARBURETOR      | 1             |                       |
| <u>Ref</u> | <u>Partnumber</u> | <u>Description</u>         | <u>GX270U</u> | <u>Serial Numbers</u> |
| 016        | 16220-ZA0-702     | SPACER COMP., CARBURETOR   | 1             |                       |
| 017        | 16221-ZA0-800     | PACKING, CARBURETOR        | 1             |                       |
| 018        | 16223-ZA0-800     | PACKING, INSULATOR         | 1             |                       |
| 019        | 16610-ZE1-000     | LEVER COMP., CHOKE (STD.)  | 1             |                       |
| 020        | 16953-ZE1-812     | LEVER, COCK                | 1             |                       |
| 021        | 16954-ZE1-812     | PLATE, LEVER SETTING       | 1             |                       |
| 022        | 16956-ZE1-811     | SPRING, COCK LEVER         | 1             |                       |
| 023        | 16957-ZE1-812     | PACKING, FUEL COCK         | 1             |                       |
| 024        | 16967-ZE0-811     | CUP, FUEL STRAINER         | 1             |                       |
| 026        | 93500-030061H     | SCREW, PAN, 3X6            | 2             |                       |
| 027        | 94305-20122       | PIN, SPRING, 2X12          | 1             |                       |
| 028        | 99101-ZH80900     | JET, MAIN, #90             | (1)           |                       |
| 028        | 99101-ZH80920     | JET, MAIN, #92             | (1)           |                       |
| 028        | 99101-ZH80950     | JET, MAIN, #95             | 1             |                       |
| 029        | 99204-ZE20400     | JET SET, PILOT, #40        | 1             |                       |



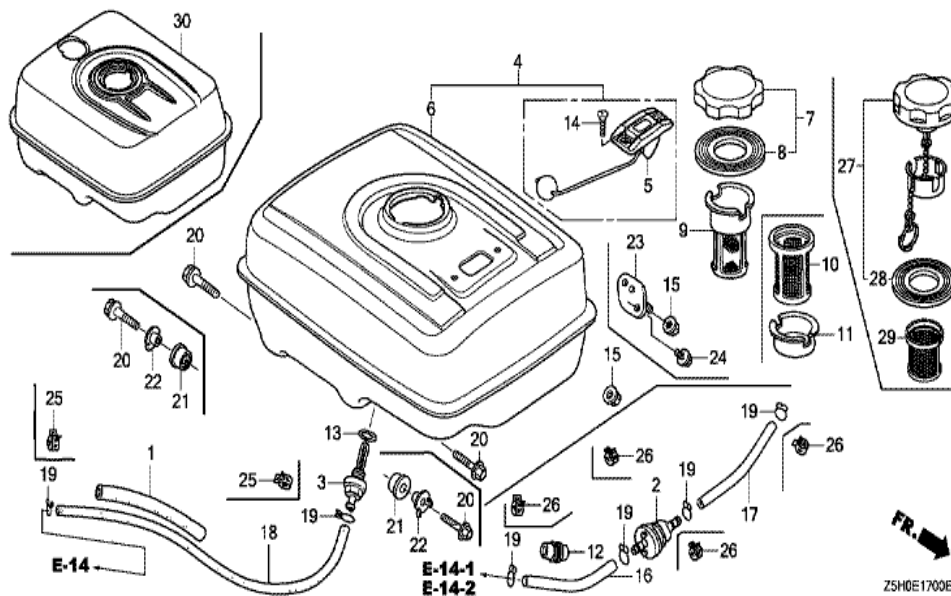
Z5H0-E1501

FR. →

| <u>Ref</u> | <u>Partnumber</u> | <u>Description</u>                 | <u>GX270U</u> | <u>Serial Numbers</u> |
|------------|-------------------|------------------------------------|---------------|-----------------------|
| 001        | 16271-ZE2-010     | PACKING, ELBOW                     | 1             |                       |
| 002        | 17210-ZE3-010     | ELEMENT, AIR CLEANER               | 1             |                       |
| 003        | 17218-ZE3-000     | FILTER, OUTER                      | 1             |                       |
| 004        | 17219-ZE3-840     | PACKING, AIR CLEANER COVER         | 1             |                       |
| 005        | 17230-ZE3-841     | COVER COMP., AIR CLEANER (CYCLONE) | 1             |                       |
| 006        | 17232-891-000     | GROMMET, AIR CLEANER               | 1             |                       |
| 007        | 17238-ZE2-310     | COLLAR, AIR CLEANER                | 2             |                       |
| 008        | 17239-ZE3-840     | COLLAR B, AIR CLEANER              | 1             |                       |
| 009        | 17410-ZE3-840     | ELBOW COMP., AIR CLEANER           | 1             |                       |
| 010        | 17470-ZE3-842     | CASE COMP., PRE AIR CLEANER        | 1             |                       |
| 011        | 17475-ZE3-841     | CAP, PRE AIR CLEANER               | 1             |                       |
| 012        | 17476-ZE3-841     | GUIDE, PRE AIR CLEANER             | 1             |                       |
| 013        | 90009-ZE2-003     | BOLT-WASHER, 6X22                  | 1             |                       |
| <u>Ref</u> | <u>Partnumber</u> | <u>Description</u>                 | <u>GX270U</u> | <u>Serial Numbers</u> |
| 014        | 90142-MB0-000     | SCREW, PAN, 5X16.5                 | 5             |                       |
| 015        | 90325-044-000     | NUT, TOOL BOX SETTING              | 2             |                       |
| 016        | 94050-06000       | NUT, FLANGE, 6MM                   | 2             |                       |



| Ref | Partnumber    | Description                              | GX270U | Serial Numbers |
|-----|---------------|------------------------------------------|--------|----------------|
| 002 | 18310-ZE2-W61 | MUFFLER COMP. (100DB)                    | 1      |                |
| 003 | 18320-ZE2-W61 | PROTECTOR COMP., MUFFLER                 | 1      |                |
| 005 | 18330-ZH9-N00 | PIPE, EX.                                | 1      |                |
| 008 | 18355-ZE2-010 | ARRESTER, SPARK                          | (1)    |                |
| 008 | 18355-ZE2-W00 | ARRESTER, SPARK                          | (1)    |                |
| 009 | 18381-ZE2-W10 | GASKET, MUFFLER (ARRESTER) (NIPPON LEAKL | (1)    |                |
| 010 | 18381-ZE2-800 | GASKET, MUFFLER (NIPPON LEAKLESS)        | 1      |                |
| 018 | 90006-ZE2-000 | SCREW, TAPPING, 6X10                     | 1      |                |
| 020 | 90050-ZE1-000 | SCREW, TAPPING, 5X8                      | 4      |                |
| 022 | 90055-ZE1-000 | SCREW, TAPPING, 4X6                      | (1)    |                |
| 028 | 94050-08000   | NUT, FLANGE, 8MM                         | 5      |                |
| 031 | 18333-ZF6-W01 | GASKET, EX. PIPE                         | 1      |                |



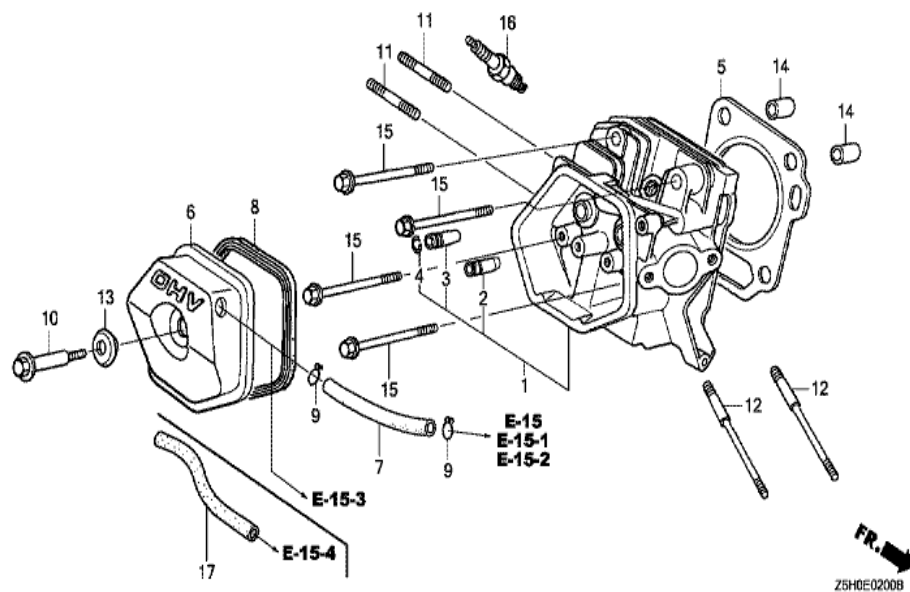
Z5H0E1700E

| Ref | Partnumber      | Description                              | GX270U | Serial Numbers  |
|-----|-----------------|------------------------------------------|--------|-----------------|
| 001 | 16854-ZH8-000   | RUBBER, SUPPORTER (107MM)                | 1      |                 |
| 003 | 16955-ZE1-000   | JOINT, FUEL TANK                         | 1      |                 |
| 006 | 17510-ZE2-020ZA | TANK COMP., FUEL *NH31 *                 | 1      | 1014642         |
| 006 | 17510-ZE2-800ZC | TANK COMP., FUEL *NH31 *                 | 1      | 1014643 1173563 |
| 006 | 17510-ZE2-801ZC | TANK COMP., FUEL *NH31 *                 | 1      | 1173564         |
| 007 | 17620-Z0T-305   | CAP COMP., FUEL FILLER (CHROME PLATED)   | 1      | 1204806         |
| 008 | 17631-Z0T-812   | PACKING, FUEL FILLER CAP (39X62X3) (TOUY | 1      | 1204806         |
| 013 | 91353-671-004   | O-RING, 14MM (NOK)                       | 1      |                 |
| 015 | 94050-08000     | NUT, FLANGE, 8MM                         | 2      |                 |
| 018 | 91424-Z5F-801   | TUBE, FUEL, 4.5X222 (FKM)                | 1      | 1042606 1221591 |
| 018 | 91424-Z5F-802   | TUBE, FUEL, 4.5X222 (FKM)                | 1      | 1221592         |
| 018 | 95001-4522240   | TUBE, FUEL, 4.5X222 (95001-45001-60M)    | 1      | 1042605         |
| 019 | 95002-02080     | CLIP, TUBE (B8)                          | 2      | 1042605         |
| Ref | Partnumber      | Description                              | GX270U | Serial Numbers  |
| 020 | 95701-0802500   | BOLT, FLANGE, 8X25                       | 2      |                 |
| 025 | 95002-4080008   | CLAMP, TUBE (D8)                         | 2      | 1042606         |
| 027 | 17620-Z4H-010   | CAP COMP., FUEL FILLER (CHROME PLATED)   | 1      | 1204807 1210488 |
| 027 | 17620-Z4H-020   | CAP COMP., FUEL FILLER                   | 1      | 1210489         |
| 028 | 17631-Z0T-801   | PACKING, FUEL FILLER CAP (39X62X3) (RADI | 1      | 1210489         |
| 028 | 17631-Z4H-800   | PACKING, FUEL FILLER CAP (39X62X3)       | 1      | 1204807 1210488 |



Z5H0-E1900

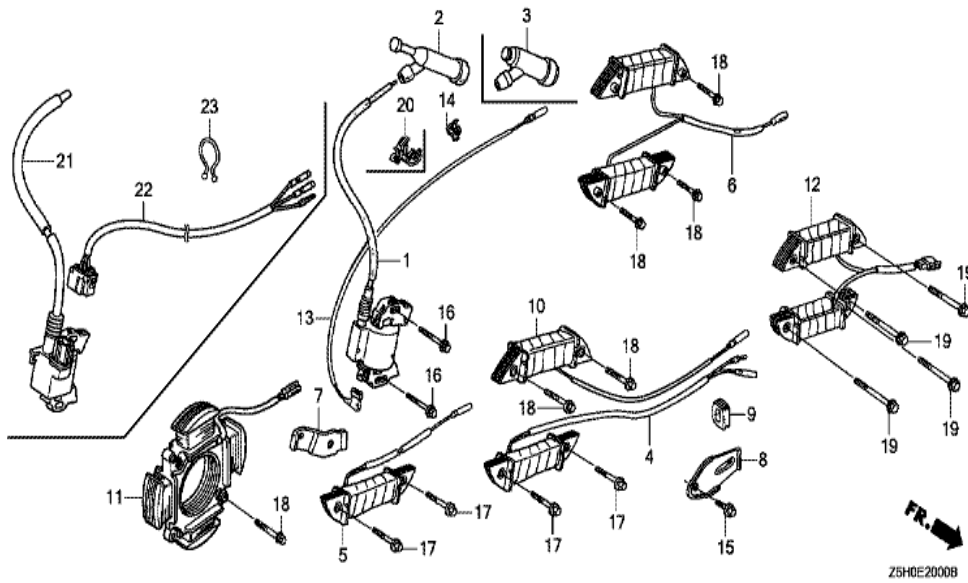
| Ref | Partnumber    | Description                         | GX270U | Serial Numbers |
|-----|---------------|-------------------------------------|--------|----------------|
| 001 | 19511-ZE2-000 | FAN, COOLING                        | 1      |                |
| 003 | 28450-ZE2-W11 | PULLEY COMP., STARTER (SCREEN GRID) | 1      |                |
| 006 | 31100-ZE2-010 | FLYWHEEL COMP.                      | 1      |                |
| 010 | 90201-ZE3-790 | NUT, SPECIAL, 16MM                  | 1      | 1146554        |
| 010 | 90201-ZE3-V00 | NUT, SPECIAL, 16MM                  | 1      | 1146553        |
| 011 | 90741-ZE2-000 | KEY, SPECIAL WOODRUFF, 25X18        | 1      |                |



Z5H0E0200B

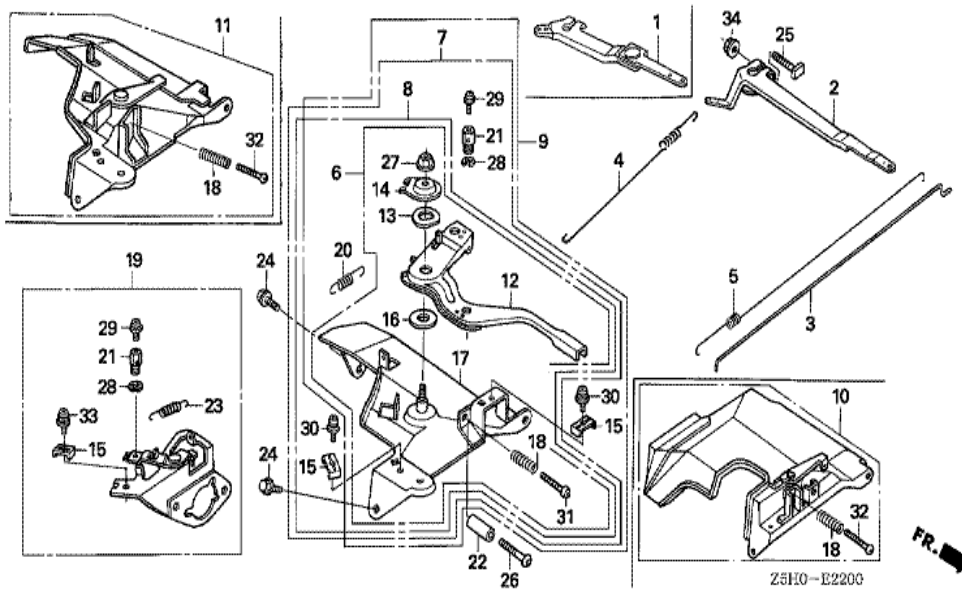
| Ref | Partnumber    | Description                             | GX270U | Serial Numbers |
|-----|---------------|-----------------------------------------|--------|----------------|
| 001 | 12200-ZH9-405 | HEAD COMP., CYLINDER                    | 1      |                |
| 002 | 12204-ZE2-306 | GUIDE, IN. VALVE (O.S.)                 | 1      |                |
| 003 | 12205-ZE2-305 | GUIDE, EX. VALVE (OS)                   | 1      |                |
| 004 | 12216-ZE2-300 | CLIP, VALVE GUIDE                       | 1      |                |
| 005 | 12251-ZH9-000 | GASKET, CYLINDER HEAD                   | 1      |                |
| 006 | 12310-ZE3-791 | COVER COMP., HEAD (BREATHER TUBE JOINT) | 1      |                |
| 007 | 12315-ZE3-840 | TUBE, BREATHER                          | 1      |                |
| 008 | 12391-ZE2-020 | PACKING, HEAD COVER                     | 1      |                |
| 009 | 17316-611-000 | CLIP, BREATHER TUBE                     | 2      |                |
| 010 | 90014-ZE2-000 | BOLT, HEAD COVER                        | 1      |                |
| 011 | 92900-080320E | BOLT, STUD, 8X32                        | 2      |                |
| 012 | 90042-ZE2-000 | BOLT, STUD, 8X123                       | 2      |                |
| 013 | 90441-ZE2-010 | WASHER COMP., HEAD COVER                | 1      |                |
| Ref | Partnumber    | Description                             | GX270U | Serial Numbers |
| 014 | 94301-12200   | DOWEL PIN, 12X20                        | 2      |                |
| 015 | 95701-1008000 | BOLT, FLANGE, 10X80                     | 4      | 1179419        |
| 015 | 95725-1008000 | BOLT, FLANGE, 10X80                     | 4      | 1179418        |
| 016 | 98079-55846   | PLUG, SPARK (BPR5ES) (NGK)              | (1)    |                |
| 016 | 98079-55855   | PLUG, SPARK (W16EPR-U) (DENSO)          | (1)    |                |
| 016 | 98079-56846   | PLUG, SPARK (BPR6ES) (NGK)              | 1      |                |
| 016 | 98079-56855   | PLUG, SPARK (W20EPR-U) (DENSO)          | 1      |                |



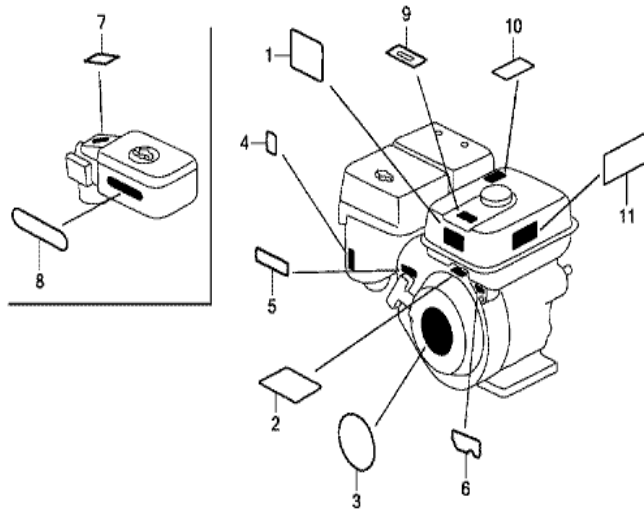


Z5H0E2000B

| Ref | Partnumber    | Description                              | GX270U | Serial Numbers |
|-----|---------------|------------------------------------------|--------|----------------|
| 001 | 30500-ZF6-W02 | COIL ASSY., IGNITION                     | 1      | 1177027        |
| 001 | 30500-ZF6-W03 | COIL ASSY., IGNITION                     | 1      | 1177028        |
| 002 | 30700-ZE1-013 | CAP ASSY., NOISE SUPPRESSOR (NICHIBA Y-E | 1      |                |
| 009 | 31512-ZE2-000 | GROMMET, CORD                            | 1      |                |
| 013 | 36101-ZE1-010 | CORD, STOP SWITCH (370MM)                | 1      |                |
| 016 | 90015-883-000 | BOLT, FLANGE, 6X28 (CT200)               | 2      |                |
| 020 | 90684-ZA0-601 | CLIP, HARNESS                            | 1      |                |

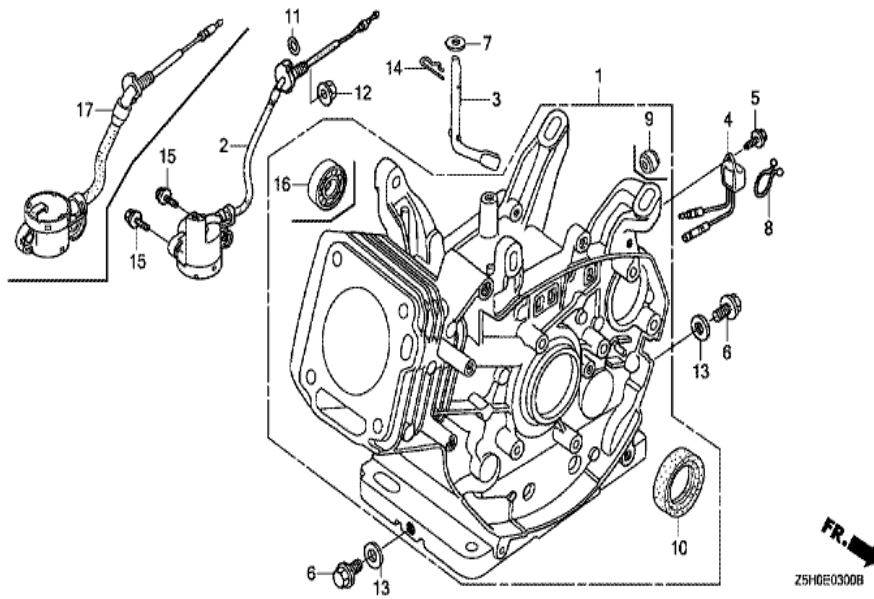


| Ref | Partnumber    | Description                              | GX270U | Serial Numbers |
|-----|---------------|------------------------------------------|--------|----------------|
| 002 | 16551-ZE2-000 | ARM, GOVERNOR                            | 1      |                |
| 003 | 16555-ZE2-000 | ROD, GOVERNOR                            | 1      |                |
| 004 | 16561-ZE2-000 | SPRING, GOVERNOR (L=145.0MM) (WIRE DIAME | 1      |                |
| 005 | 16562-ZE2-000 | SPRING, THROTTLE RETURN                  | 1      |                |
| 008 | 16570-ZE2-W20 | CONTROL ASSY. (REMOTE)                   | 1      |                |
| 012 | 16571-ZE2-W00 | LEVER, CONTROL                           | 1      |                |
| 013 | 16574-ZE1-000 | SPRING, LEVER                            | 1      |                |
| 014 | 16575-ZE2-W00 | WASHER, CONTROL LEVER                    | 1      |                |
| 015 | 16576-891-000 | HOLDER, CABLE                            | 1      |                |
| 016 | 16578-ZE1-000 | SPACER, CONTROL LEVER                    | 1      |                |
| 017 | 16581-ZE2-W00 | BASE COMP., CONTROL (###)                | 1      |                |
| 018 | 16584-883-300 | SPRING, CONTROL ADJUSTING                | 1      |                |
| 020 | 16592-883-310 | SPRING, CABLE RETURN                     | 1      |                |
| Ref | Partnumber    | Description                              | GX270U | Serial Numbers |
| 022 | 16599-ZG1-M10 | COLLAR, STOPPER                          | (1)    |                |
| 024 | 90013-883-000 | BOLT, FLANGE, 6X12 (CT200)               | 2      |                |
| 025 | 90015-ZE5-010 | BOLT, GOVERNOR ARM                       | 1      |                |
| 026 | 90016-ZG9-N30 | SCREW, RECESSED, 5X25                    | (1)    |                |
| 027 | 90114-SA0-000 | NUT, SELF-LOCK, 6MM                      | 1      |                |
| 030 | 93500-050160A | SCREW, PAN, 5X16                         | 1      |                |
| 031 | 93500-050280A | SCREW, PAN, 5X28                         | 1      |                |
| 034 | 94050-06000   | NUT, FLANGE, 6MM                         | 1      |                |



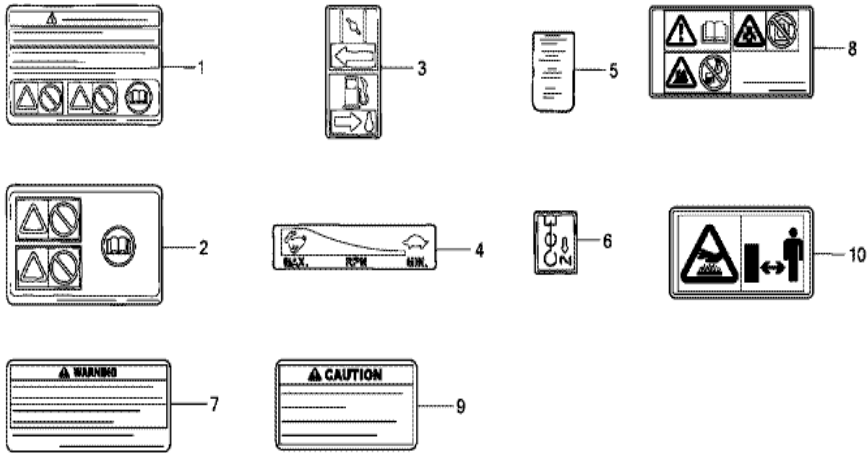
Z5H0E2800B

| <u>Ref</u> | <u>Partnumber</u> | <u>Description</u>                       | <u>GX270U</u> | <u>Serial Numbers</u> |
|------------|-------------------|------------------------------------------|---------------|-----------------------|
| 001        | 87516-ZH7-000     | MARK, OPERATOR CAUTION (ENGLISH) (MADE I | 1             | 1232633               |
| 001        | 87516-ZH7-010     | MARK, OPERATOR CAUTION (ENGLISH) (MADE I | 1             | 1232634               |
| 001        | 87516-ZH7-810     | MARK, OPERATOR CAUTION (PICTOGRAPH) (MAD | (1)           |                       |
| 003        | 87521-ZH9-030     | EMBLEM (GX270 9.0)                       | 1             | 1177027               |
| 003        | 87521-ZH9-040     | EMBLEM (GX270)                           | 1             | 1177028               |
| 004        | 87528-ZH7-000     | MARK, CHOKE (GRAY)                       | 1             |                       |
| 005        | 87532-ZH7-000     | MARK, THROTTLE INDICATION                | 1             |                       |
| 008        | 87535-ZE1-841     | MARK, AIR CLEANER SALES POINT            | 1             |                       |
| 010        | 87539-ZOJ-000     | MARK, EX. CAUTION (ENGLISH)              | 1             | 1232634               |



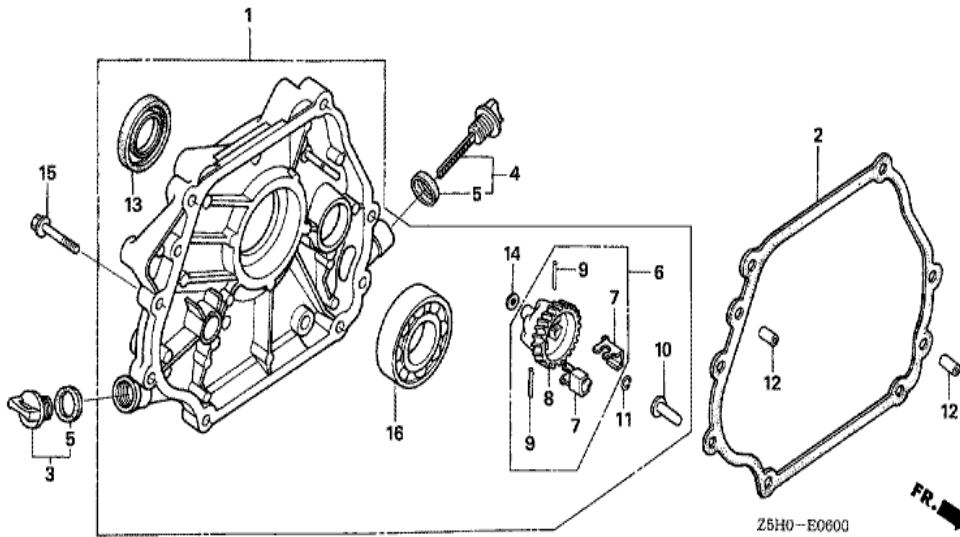
Z5H0E0300B

| Ref | Partnumber    | Description                    | GX270U | Serial Numbers  |
|-----|---------------|--------------------------------|--------|-----------------|
| 001 | 12000-ZH9-406 | BARREL ASSY., CYLINDER (ALERT) | 1      |                 |
| 002 | 15510-ZE2-043 | SWITCH ASSY., OIL LEVEL        | 1      | 1182907         |
| 002 | 15510-ZE2-053 | SWITCH ASSY., OIL LEVEL        | 1      | 1182908 1231591 |
| 002 | 35480-ZF6-003 | SWITCH ASSY., OIL LEVEL        | 1      | 1231592         |
| 003 | 16541-ZE2-010 | SHAFT, GOVERNOR ARM            | 1      |                 |
| 004 | 34150-ZH7-003 | ALERT UNIT, OIL                | 1      | 1185318         |
| 004 | 34150-ZH7-013 | ALERT UNIT, OIL                | 1      | 1185319         |
| 005 | 90013-883-000 | BOLT, FLANGE, 6X12 (CT200)     | 1      |                 |
| 006 | 90131-883-000 | BOLT, DRAIN PLUG, 12X15        | 2      |                 |
| 007 | 90446-KE1-000 | WASHER, 8.2X17X0.8             | 1      |                 |
| 010 | 91201-890-003 | OIL SEAL, 30X46X8              | 1      |                 |
| 011 | 91353-671-004 | O-RING, 14MM (NOK)             | 1      |                 |
| 012 | 94050-10000   | NUT, FLANGE, 10MM              | 1      |                 |
| Ref | Partnumber    | Description                    | GX270U | Serial Numbers  |
| 013 | 94109-12000   | WASHER, DRAIN PLUG, 12MM       | 2      |                 |
| 014 | 94251-10000   | PIN, LOCK, 10MM                | 1      |                 |
| 015 | 95701-0601200 | BOLT, FLANGE, 6X12             | 2      |                 |

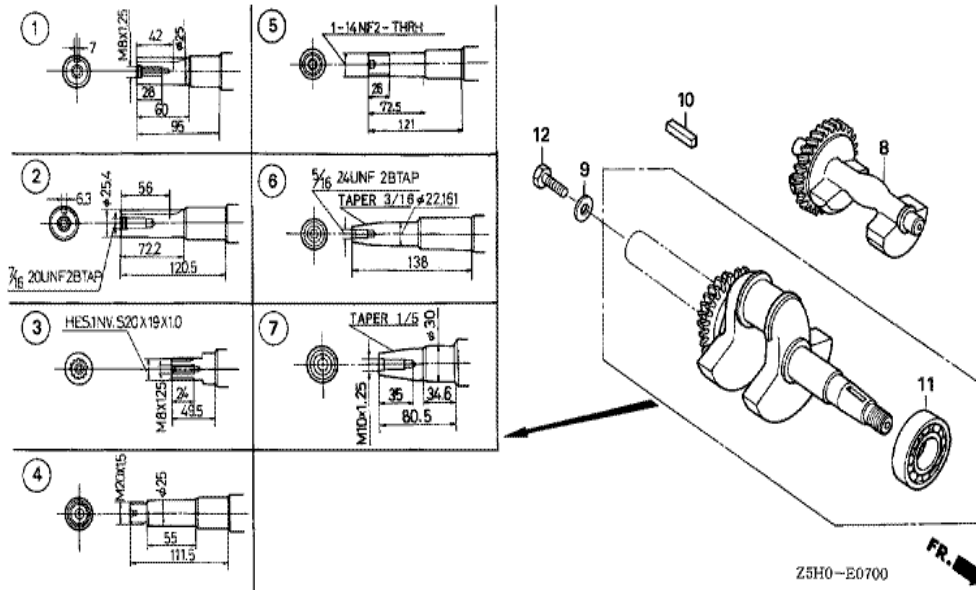


Z5H0E4001C

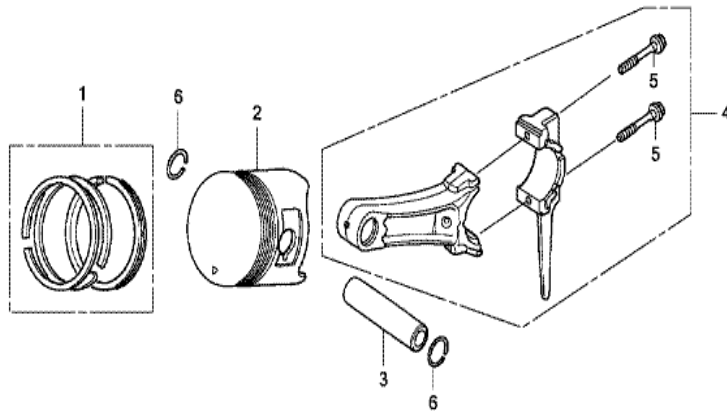
| Ref | Partnumber    | Description                              | GX270U | Serial Numbers |
|-----|---------------|------------------------------------------|--------|----------------|
| 001 | 87516-ZH7-800 | MARK, OPERATOR CAUTION (FRENCH) (MADE IN | 1      | 1232633        |
| 007 | 87516-ZH7-801 | MARK, OPERATOR CAUTION (FRENCH) (MADE IN | 1      | 1232634        |
| 008 | 87519-ZH7-000 | MARK, OPERATOR CAUTION (PICTOGRAPH)      | 1      | 1232634        |
| 009 | 87539-ZOJ-810 | MARK, EX. CAUTION (FRENCH)               | 1      | 1232634        |
| 010 | 87539-ZOJ-800 | MARK, EX. CAUTION (PICTOGRAPH)           | 1      | 1232634        |



| <u>Ref</u> | <u>Partnumber</u> | <u>Description</u>         | <u>GX270U</u> | <u>Serial Numbers</u> |
|------------|-------------------|----------------------------|---------------|-----------------------|
| 001        | 11300-ZE2-602     | COVER ASSY., CRANKCASE     | 1             |                       |
| 002        | 11381-ZE2-801     | PACKING, CASE COVER        | 1             |                       |
| 003        | 15600-ZG4-003     | CAP ASSY., OIL FILLER      | 1             |                       |
| 004        | 15600-735-003     | CAP ASSY., OIL FILLER      | 1             |                       |
| 005        | 15625-ZE1-003     | PACKING, OIL FILLER CAP    | 2             |                       |
| 006        | 16510-ZE2-000     | GOVERNOR ASSY.             | 1             |                       |
| 007        | 16511-ZE2-000     | WEIGHT, GOVERNOR           | 2             |                       |
| 008        | 16512-ZE2-000     | HOLDER, GOVERNOR WEIGHT    | 1             |                       |
| 009        | 16513-ZE2-000     | PIN, GOVERNOR WEIGHT       | 2             |                       |
| 010        | 16531-Z0A-000     | SLIDER, GOVERNOR           | 1             |                       |
| 011        | 90602-ZE1-000     | CLIP, GOVERNOR HOLDER      | 1             |                       |
| 012        | 90701-HC4-000     | DOWEL PIN, 8X12            | 2             |                       |
| 013        | 91201-890-003     | OIL SEAL, 30X46X8          | 1             |                       |
| <u>Ref</u> | <u>Partnumber</u> | <u>Description</u>         | <u>GX270U</u> | <u>Serial Numbers</u> |
| 014        | 94101-06800       | WASHER, PLAIN, 6MM         | 1             |                       |
| 015        | 95701-0803500     | BOLT, FLANGE, 8X35         | 7             |                       |
| 016        | 96100-6206000     | BEARING, RADIAL BALL, 6206 | 1             |                       |



| Ref | Partnumber    | Description                    | GX270U | Serial Numbers |
|-----|---------------|--------------------------------|--------|----------------|
| 002 | 13310-ZH9-601 | CRANKSHAFT COMP.               | 1      |                |
| 010 | 90745-ZE2-600 | KEY, 6.3X6.3X43                | 1      |                |
| 011 | 91001-ZH9-003 | BEARING, RADIAL BALL (6206 SH) | 1      |                |

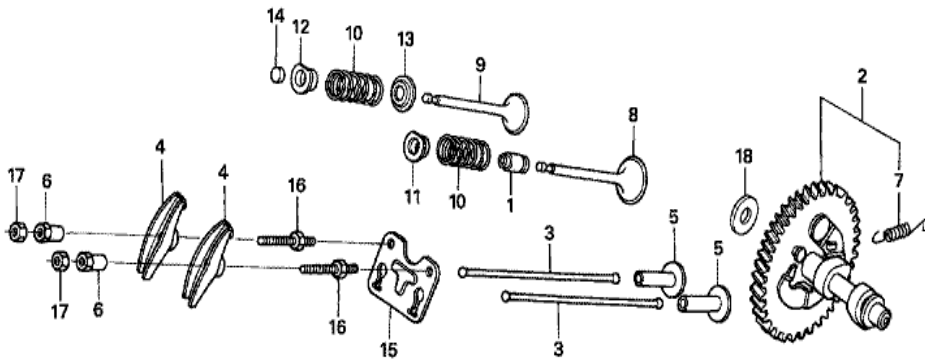


ZGH0E080CA



| Ref | Partnumber    | Description                             | GX270U | Serial Numbers |
|-----|---------------|-----------------------------------------|--------|----------------|
| 001 | 13010-Z5H-004 | RING SET, PISTON (STD.) (TPR)           | 1      | 1200784        |
| 001 | 13010-ZE8-601 | RING SET, PISTON (STD.) (NIPPON)        | 1      | 1200783        |
| 001 | 13010-ZE8-602 | RING SET, PISTON (STD.) (TEIKOKU)       | 1      | 1200783        |
| 001 | 13011-Z5H-004 | RING SET, PISTON (0.25) (TPR)           | (1)    | 1200784        |
| 001 | 13011-ZE8-601 | RING SET, PISTON (0.25) (NIPPON)        | (1)    | 1200783        |
| 001 | 13011-ZE8-602 | RING SET, PISTON (0.25) (TEIKOKU)       | (1)    | 1200783        |
| 001 | 13012-Z5H-004 | RING SET, PISTON (0.50) (TPR)           | (1)    | 1200784        |
| 001 | 13012-ZE8-601 | RING SET, PISTON (0.50) (NIPPON)        | (1)    | 1200783        |
| 001 | 13012-ZE8-602 | RING SET, PISTON (0.50) (TEIKOKU)       | (1)    | 1200783        |
| 001 | 13013-Z5H-004 | RING SET, PISTON (0.75) (TPR)           | (1)    | 1200784        |
| 001 | 13013-ZE8-601 | RING SET, PISTON (0.75) (NIPPON)        | (1)    | 1200783        |
| 001 | 13013-ZE8-602 | RING SET, PISTON (0.75) (TEIKOKU)       | (1)    | 1200783        |
| 002 | 13101-ZH9-000 | PISTON (STD.)                           | 1      | 1200783        |
| 002 | 13101-ZH9-010 | PISTON (STD.)                           | 1      | 1200784        |
| 002 | 13102-ZH9-000 | PISTON (0.25)                           | (1)    | 1200783        |
| 002 | 13102-ZH9-010 | PISTON (0.25)                           | (1)    | 1200784        |
| 002 | 13103-ZH9-000 | PISTON (0.50)                           | (1)    | 1200783        |
| 002 | 13103-ZH9-010 | PISTON (0.50)                           | (1)    | 1200784        |
| 002 | 13104-ZH9-000 | PISTON (0.75)                           | (1)    | 1200783        |
| 002 | 13104-ZH9-010 | PISTON (0.75)                           | (1)    | 1200784        |
| 003 | 13111-ZE2-000 | PIN, PISTON                             | 1      |                |
| 004 | 13200-ZE2-010 | ROD ASSY., CONNECTING (STD.)            | 1      |                |
| 004 | 13200-ZE2-305 | ROD ASSY., CONNECTING (0.25 UNDER SIZE) | (1)    |                |
| 005 | 90001-ZE8-000 | BOLT, CONNECTING ROD                    | 2      |                |
| 006 | 90551-ZE1-000 | CLIP, PISTON PIN, 18MM                  | 2      |                |

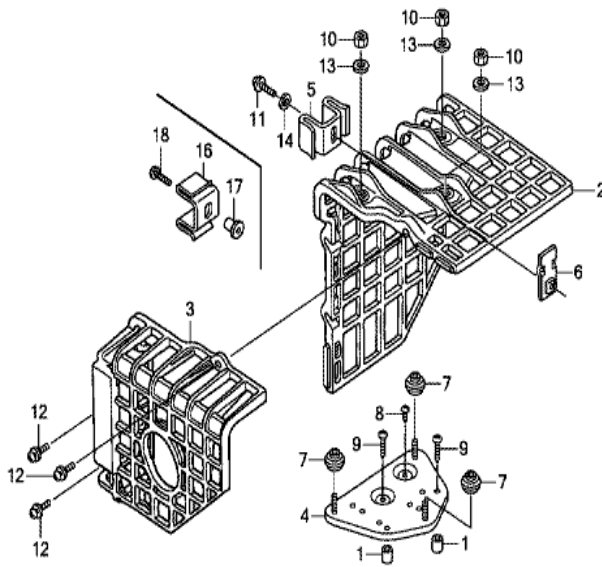




Z5H0-E0900A



| <u>Ref</u> | <u>Partnumber</u> | <u>Description</u>         | <u>GX270U</u> | <u>Serial Numbers</u> |
|------------|-------------------|----------------------------|---------------|-----------------------|
| 001        | 12209-ZE8-003     | SEAL, VALVE STEM           | 1             |                       |
| 002        | 14100-ZH9-010     | CAMSHAFT ASSY.             | 1             |                       |
| 003        | 14410-ZE2-013     | ROD, PUSH                  | 2             |                       |
| 004        | 14431-ZE2-010     | ARM, VALVE ROCKER          | 2             |                       |
| 005        | 14441-ZE2-000     | LIFTER, VALVE              | 2             |                       |
| 006        | 14451-ZE1-013     | PIVOT, ROCKER ARM          | 2             |                       |
| 007        | 14568-ZE1-000     | SPRING, WEIGHT RETURN      | 1             |                       |
| 008        | 14711-ZE2-000     | VALVE, IN.                 | 1             |                       |
| 009        | 14721-ZE2-000     | VALVE, EX.                 | 1             |                       |
| 010        | 14751-ZE2-003     | SPRING, VALVE              | 2             |                       |
| 011        | 14771-ZE2-000     | RETAINER, IN. VALVE SPRING | 1             |                       |
| 012        | 14773-ZE2-000     | RETAINER, EX. VALVE SPRING | 1             |                       |
| 013        | 14775-ZE2-010     | SEAT, VALVE SPRING         | 1             |                       |
| <u>Ref</u> | <u>Partnumber</u> | <u>Description</u>         | <u>GX270U</u> | <u>Serial Numbers</u> |
| 014        | 14781-ZE2-000     | ROTATOR, VALVE             | 1             |                       |
| 015        | 14791-ZE2-010     | GUIDE, PUSH ROD            | 1             |                       |
| 016        | 90012-ZE0-010     | BOLT, PIVOT, 8MM           | 2             |                       |
| 017        | 90206-ZE1-000     | NUT, PIVOT ADJUSTING       | 2             |                       |



Z5H0X0200A

| <u>Ref</u> | <u>Partnumber</u> | <u>Description</u>        | <u>GX270U</u> | <u>Serial Numbers</u> |
|------------|-------------------|---------------------------|---------------|-----------------------|
| 001        | 17233-896-701     | COLLAR, AIR CLEANER CASE  | (2)           |                       |
| 002        | 18433-ZF6-W40     | COVER COMP., MUFFLER      | (1)           |                       |
| 003        | 18434-ZF6-W40     | COVER COMP., RR. MUFFLER  | (1)           |                       |
| 004        | 18436-ZH8-W40     | BASE COMP., MUFFLER COVER | (1)           |                       |
| 005        | 18437-ZF6-W40     | STAY, MUFFLER COVER       | (1)           |                       |
| 006        | 18438-ZF6-W40     | PLATE, SET                | (1)           |                       |
| 007        | 18466-ZH8-W40     | SPACER, MUFFLER COVER     | (3)           |                       |
| 008        | 90050-ZE1-000     | SCREW, TAPPING, 5X8       | (1)           |                       |
| 009        | 90050-ZH8-W40     | SCREW, TAPPING, 5X25      | (2)           |                       |
| 010        | 90302-KF9-900     | NUT, HEX., 5MM            | (3)           |                       |
| 011        | 93891-0501200     | SCREW-WASHER, 5X12        | (1)           |                       |
| 012        | 93891-0602007     | SCREW-WASHER, 6X20        | (3)           |                       |
| 013        | 94103-05700       | WASHER, PLAIN, 5MM        | (3)           |                       |
| <u>Ref</u> | <u>Partnumber</u> | <u>Description</u>        | <u>GX270U</u> | <u>Serial Numbers</u> |
| 014        | 94111-05000       | WASHER, SPRING, 5MM       | (1)           |                       |