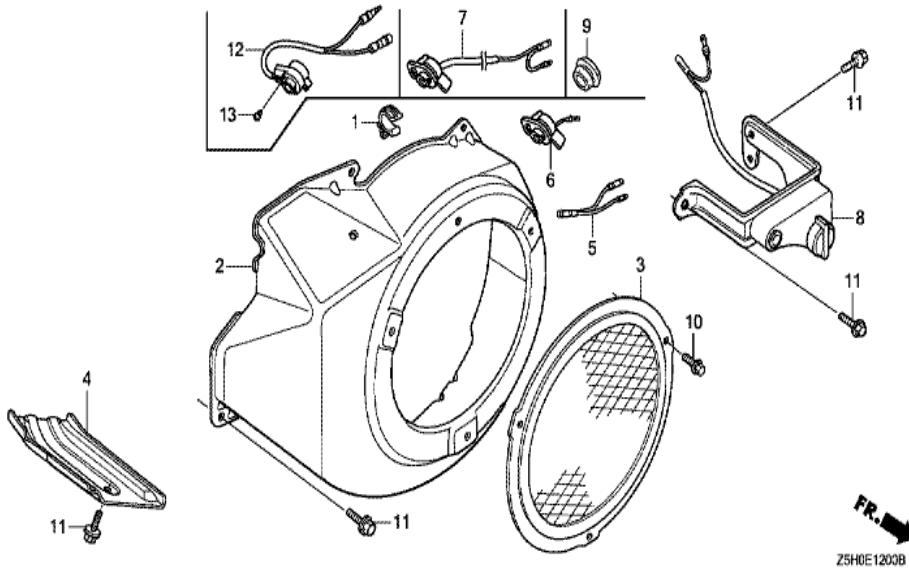
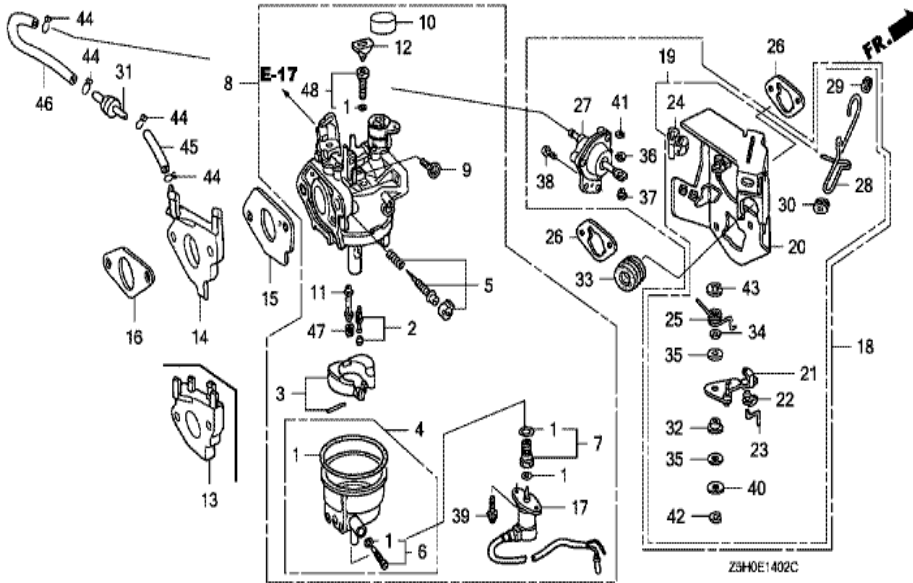


ZSHOE1100A

<u>Ref</u>	<u>Partnumber</u>	<u>Description</u>	<u>GX270U</u>	<u>Serial Numbers</u>
001	28400-ZE2-W01ZG	STARTER ASSY., RECOIL *NH105 *	1	1232633
001	28400-ZE2-W02ZG	STARTER ASSY., RECOIL *NH105*	1	1232634
002	28410-ZE2-W01ZG	CASE COMP., RECOIL STARTER *NH105 *	1	
003	28421-ZE2-W01	PULLEY, RECOIL STARTER	1	
004	28422-ZE2-W01	RATCHET, STARTER	2	
005	28441-ZE2-W01	SPRING, FRICTION	1	
006	28442-ZE2-W01	SPRING, STARTER RETURN	1	
007	28443-ZE2-W01	SPRING, RATCHET	2	
008	28444-ZE2-W01	RETAINER, SPRING	1	
009	28461-ZE2-W02	GRIP, STARTER	1	1232633
009	28461-ZE2-W03	GRIP, STARTER	1	1232634
010	28462-ZE2-W11	ROPE, RECOIL STARTER	1	
011	90004-ZE2-W01	SCREW, CENTER	1	
<u>Ref</u>	<u>Partnumber</u>	<u>Description</u>	<u>GX270U</u>	<u>Serial Numbers</u>
012	90008-ZE2-003	BOLT, FLANGE, 6X10	3	

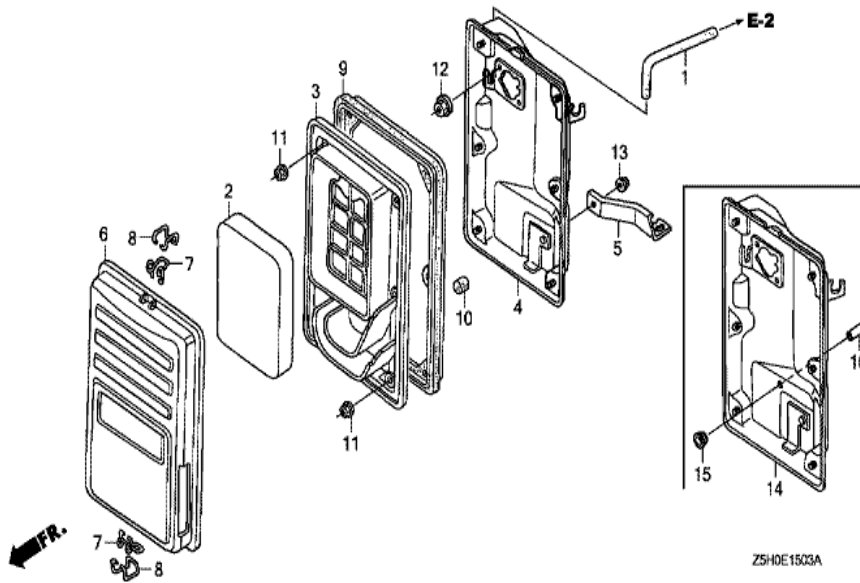


<u>Ref</u>	<u>Partnumber</u>	<u>Description</u>	<u>GX270U</u>	<u>Serial Numbers</u>
001	16731-ZE2-003	CLIP, TUBE	1	
002	19610-ZE2-010ZG	COVER COMP., FAN *NH105 *	1	
004	19631-ZE2-D00	SHROUD	1	
009	81329-567-020	GROMMET, DRAIN HOLE	1	
011	90013-883-000	BOLT, FLANGE, 6X12 (CT200)	6	

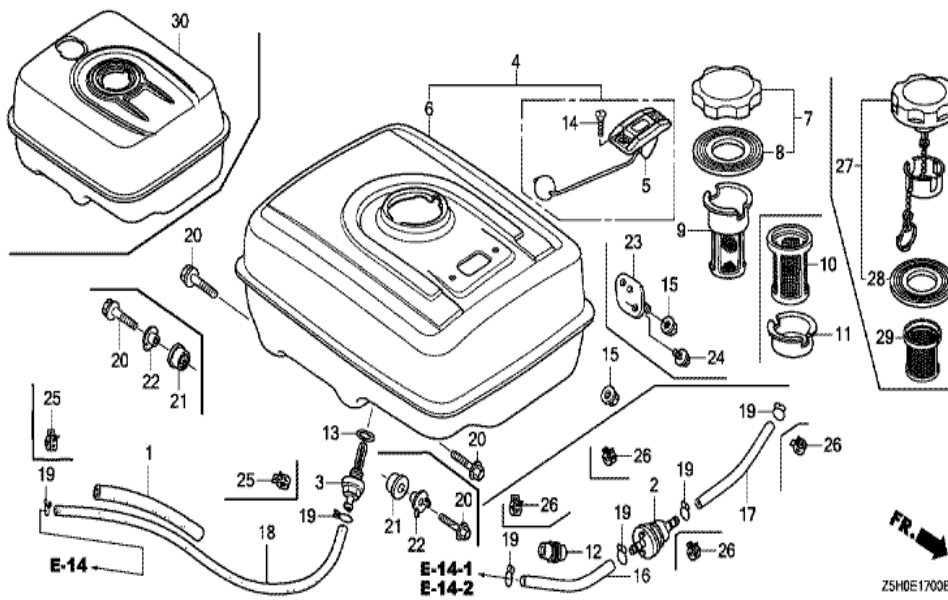


Ref	Partnumber	Description	GX270U	Serial Numbers
001	16010-ZE3-701	GASKET SET	1	
002	16011-ZA0-931	VALVE SET, FLOAT	1	
003	16013-ZA0-931	FLOAT SET	1	
004	16015-ZA0-931	CHAMBER SET, FLOAT	1	
005	16016-ZH8-W01	SCREW SET	1	
006	16024-124-761	SCREW SET, DRAIN	1	
007	16028-ZA0-931	SCREW SET	1	
008	16100-ZK9-R41	CARBURETOR ASSY. (BE77Q A)	1	
009	16124-ZE0-005	SCREW, THROTTLE STOP	1	
010	16148-141-881	CAP, CHOKE DUST	1	
011	16166-ZH9-820	NOZZLE, MAIN	1	
012	16172-ZE3-W10	COLLAR, SETTING	1	
013	16211-ZE2-000	INSULATOR, CARBURETOR	1	

<u>Ref</u>	<u>Partnumber</u>	<u>Description</u>	<u>GX270U</u>	<u>Serial Numbers</u>
015	16221-ZA0-800	PACKING, CARBURETOR	1	
016	16223-ZA0-800	PACKING, INSULATOR	1	
017	16230-ZE3-702	VALVE ASSY., SOLENOID	1	
019	16260-ZF6-U70	STAY ASSY., MANUAL CHOKE	1	
020	16261-ZE2-702	STAY COMP., SOLENOID	1	
021	16262-ZE2-711	LEVER, CHOKE	1	
022	16263-ZA0-000	JOINT, ROD	1	
023	16264-ZE2-701	ROD, CHOKE	1	
024	16265-ZE2-721	STOPPER, CHOKE ROD	1	
025	16268-ZE2-721	SPRING, MANUAL CHOKE	1	
026	16269-ZA0-800	PACKING, AIR CLEANER	2	
028	16611-ZE2-711	ROD, CHOKE CONTROL	1	
029	16613-893-000	GROMMET, CHOKE ROD	1	
030	16615-893-000	GUIDE, CHOKE ROD	1	
032	53149-964-003	BUSH, ARM PIVOT	1	
033	88911-MJ3-000	GROMMET, FENDER	1	
034	90431-ZE2-700	WASHER, CHOKE LEVER	1	
035	90432-ZE2-700	SEAL, CHOKE LEVER	2	
039	93892-0501218	SCREW-WASHER, 5X12	2	
040	94103-05000	WASHER, PLAIN, 5MM	1	
042	94540-04010	E-RING, 4MM	1	
043	94540-07010	E-RING, 7MM	1	
047	99101-ZH80850	JET, MAIN, #85	(1)	
047	99101-ZH80880	JET, MAIN, #88	(1)	
047	99101-ZH80900	JET, MAIN, #90	1	
048	99204-ZE20400	JET SET, PILOT, #40	1	

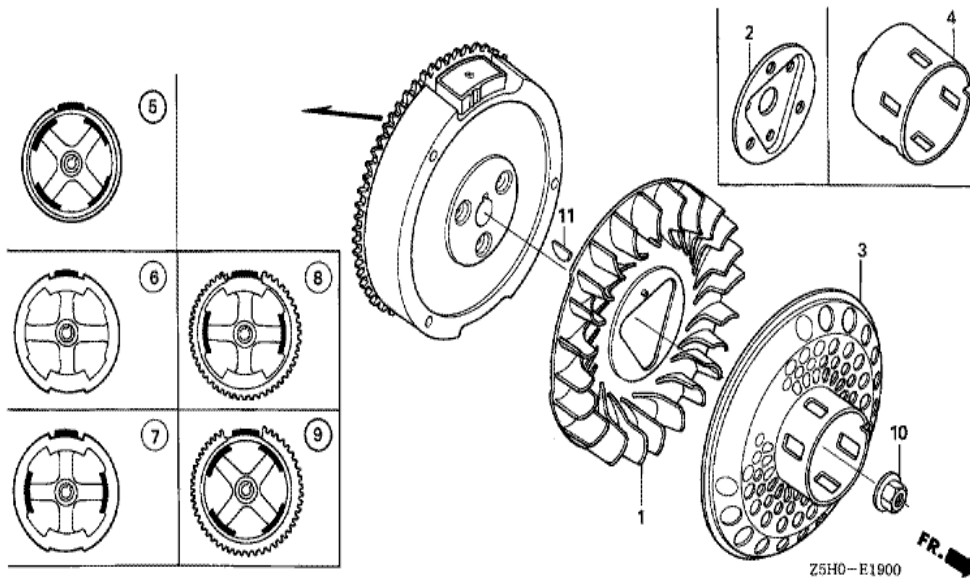


<u>Ref</u>	<u>Partnumber</u>	<u>Description</u>	<u>GX270U</u>	<u>Serial Numbers</u>
001	15721-ZB4-000	TUBE, BREATHER	1	
002	17211-899-000	ELEMENT, AIR CLEANER	1	
003	17212-Z5R-000	SEPARATOR, AIR CLEANER	1	1201799
003	17212-ZB4-003	SEPARATOR, AIR CLEANER	1	1201798
004	17220-ZB4-003	CASE COMP., AIR CLEANER	1	1201798
005	17222-ZB4-000	STAY, AIR CLEANER	1	
006	17231-899-000	COVER COMP., AIR CLEANER	1	
007	17235-899-000	CLIP A, AIR CLEANER WIRE	2	
008	17236-899-000	CLIP B, AIR CLEANER WIRE	2	
009	17252-899-000	SEAL, AIR CLEANER	1	
010	17367-413-690	FILTER, DRAIN TUBE	1	
011	94050-05000	NUT, FLANGE, 5MM	6	
012	94050-06000	NUT, FLANGE, 6MM	2	
<u>Ref</u>	<u>Partnumber</u>	<u>Description</u>	<u>GX270U</u>	<u>Serial Numbers</u>
013	94050-06080	NUT, FLANGE, 6MM	1	
014	17220-Z5R-000	CASE COMP., AIR CLEANER	1	1201799
015	17232-898-000	GROMMET, AIR CLEANER	1	1201799
016	90634-ZL8-H00	CAP, SEALING	1	1201799



Z5H0E1700E

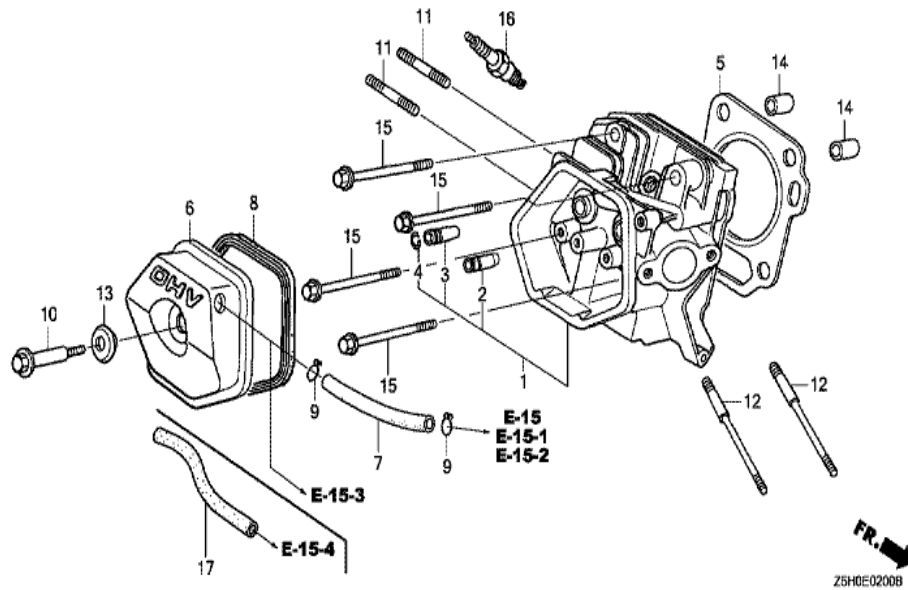
Ref	Partnumber	Description	GX270U	Serial Numbers
001	16854-ZH8-000	RUBBER, SUPPORTER (107MM)	1	
018	91424-Z5F-801	TUBE, FUEL, 4.5X222 (FKM)	1	1042606 1221591
018	91424-Z5F-802	TUBE, FUEL, 4.5X222 (FKM)	1	1221592
018	95001-4522240	TUBE, FUEL, 4.5X222 (95001-45001-60M)	1	1042605
019	95002-02080	CLIP, TUBE (B8)	2	1042605
025	95002-4080008	CLAMP, TUBE (D8)	2	1042606



Z5HD-E1900

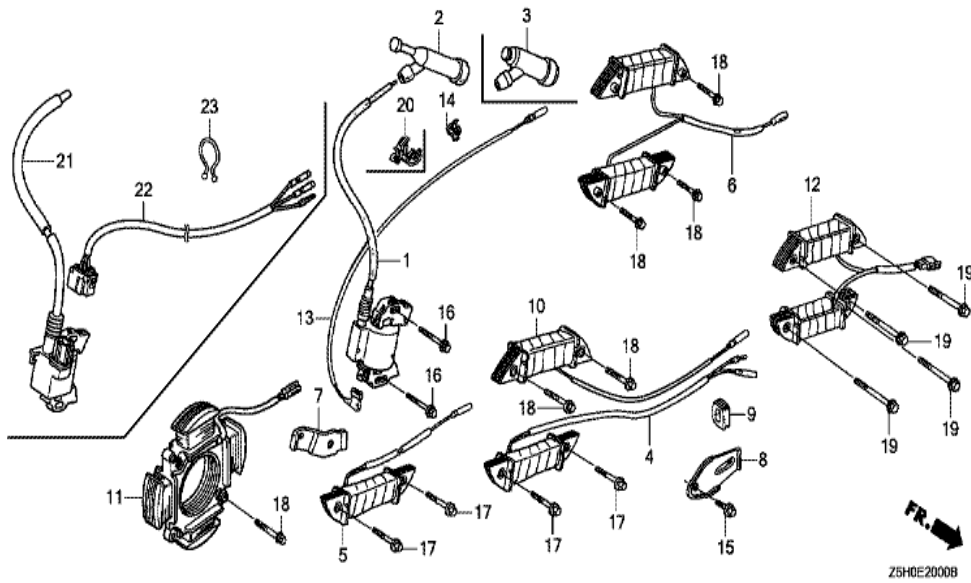
FR. →

Ref	Partnumber	Description	GX270U	Serial Numbers
001	19511-ZE2-000	FAN, COOLING	1	
003	28450-ZE2-W11	PULLEY COMP., STARTER (SCREEN GRID)	1	
008	31100-ZE2-822	FLYWHEEL COMP. (STARTER MOTOR)	1	
010	90201-ZE3-790	NUT, SPECIAL, 16MM	1	1146554
010	90201-ZE3-V00	NUT, SPECIAL, 16MM	1	1146553
011	90741-ZE2-000	KEY, SPECIAL WOODRUFF, 25X18	1	



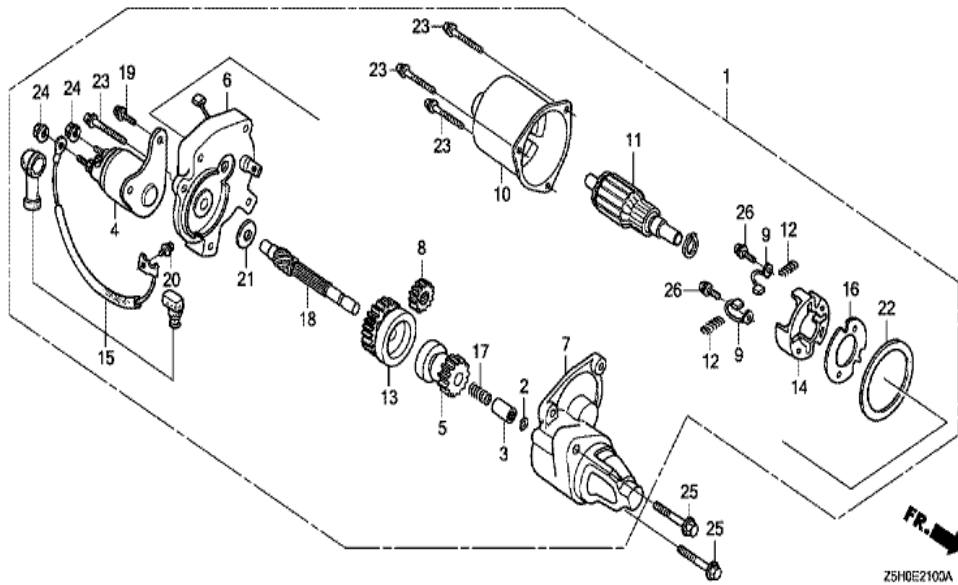
Z5H0E0200B

Ref	Partnumber	Description	GX270U	Serial Numbers
001	12200-ZH9-405	HEAD COMP., CYLINDER	1	
002	12204-ZE2-306	GUIDE, IN. VALVE (O.S.)	1	
003	12205-ZE2-305	GUIDE, EX. VALVE (OS)	1	
004	12216-ZE2-300	CLIP, VALVE GUIDE	1	
005	12251-ZH9-000	GASKET, CYLINDER HEAD	1	
006	12310-ZE2-020	COVER COMP., HEAD	1	
008	12391-ZE2-020	PACKING, HEAD COVER	1	
010	90014-ZE2-000	BOLT, HEAD COVER	1	
011	90047-ZE3-791	BOLT, STUD, 8X25	2	
012	90042-ZE2-700	BOLT, STUD, 8X98	2	
013	90441-ZE2-010	WASHER COMP., HEAD COVER	1	
014	94301-12200	DOWEL PIN, 12X20	2	
015	95701-1008000	BOLT, FLANGE, 10X80	4	1179419
Ref	Partnumber	Description	GX270U	Serial Numbers
015	95725-1008000	BOLT, FLANGE, 10X80	4	1179418
016	98079-55846	PLUG, SPARK (BPR5ES) (NGK)	(1)	
016	98079-55855	PLUG, SPARK (W16EPR-U) (DENSO)	(1)	
016	98079-56846	PLUG, SPARK (BPR6ES) (NGK)	1	
016	98079-56855	PLUG, SPARK (W20EPR-U) (DENSO)	1	



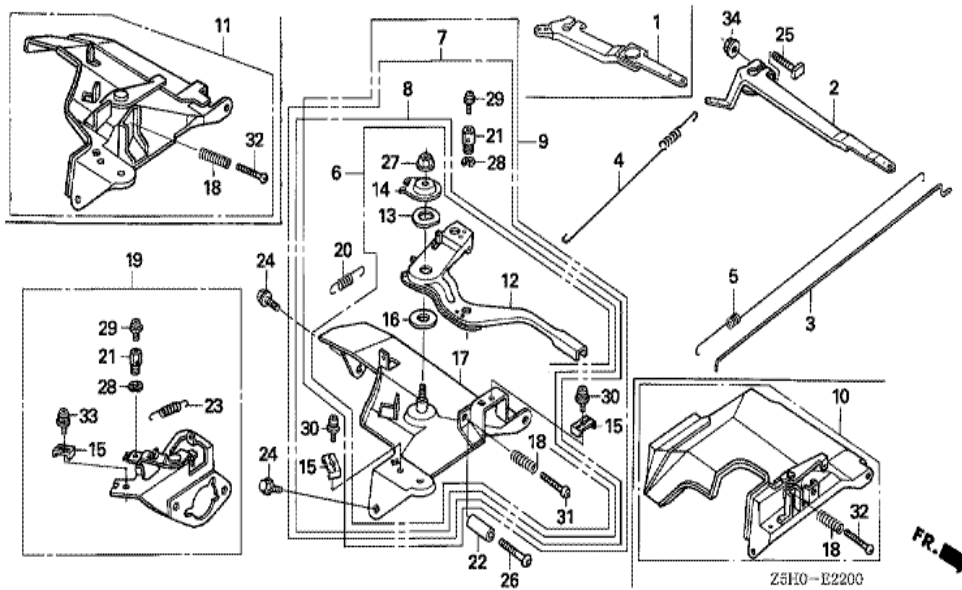
Z5H0E2000B

Ref	Partnumber	Description	GX270U	Serial Numbers
001	30500-ZF6-W02	COIL ASSY., IGNITION	1	1177027
001	30500-ZF6-W03	COIL ASSY., IGNITION	1	1177028
002	30700-ZE1-013	CAP ASSY., NOISE SUPPRESSOR (NICHIIWA Y-E	1	
005	31510-ZE2-H91	COIL ASSY., LAMP (12V/25W)	1	
008	31511-ZE2-000	CLAMPER, CORD	1	
009	31512-ZE2-000	GROMMET, CORD	1	
010	31630-ZE2-841	COIL ASSY., CHARGE (3A)	1	1178201
010	31630-ZE2-842	COIL ASSY., CHARGE (3A)	1	1178202
013	36101-ZE1-010	CORD, STOP SWITCH (370MM)	1	
015	90013-883-000	BOLT, FLANGE, 6X12 (CT200)	1	
016	90015-883-000	BOLT, FLANGE, 6X28 (CT200)	2	
017	90015-883-000	BOLT, FLANGE, 6X28 (CT200)	2	
018	90017-883-000	BOLT, FLANGE, 6X32 (CT200)	2	

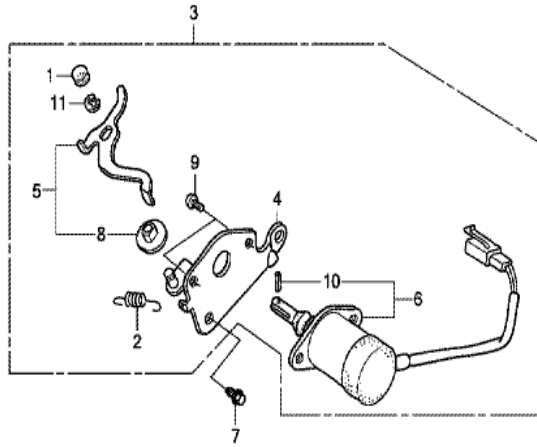


Z5H0E2100A

Ref	Partnumber	Description	GX270U	Serial Numbers
001	31200-ZH9-003	MOTOR ASSY., STARTER	1	1182939
001	31200-ZH9-013	MOTOR ASSY., STARTER	1	1182940
002	31201-ZA1-003	RING, SNAP	1	
003	31202-ZA1-003	COLLAR, CLUTCH STOP	1	
004	31204-ZA0-003	CONTACTOR ASSY.	1	
005	31207-ZH9-003	CLUTCH COMP., OVERRUNNING	1	
006	31211-ZE2-003	BRACKET, CENTER	1	
007	31212-ZE2-003	BRACKET, FR.	1	
008	31213-ZE2-003	GEAR, DRIVE PINION	1	
009	31215-ZE2-003	BRUSH	2	
010	31216-ZE2-003	YOKE COMP.	1	
011	31217-ZE2-003	ARMATURE COMP.	1	
012	31219-ZE2-003	SPRING, BRUSH RETURN	4	
Ref	Partnumber	Description	GX270U	Serial Numbers
013	31222-ZE3-791	GEAR, REDUCTION	1	
014	31231-ZE2-003	HOLDER, BRUSH	1	
015	31232-ZE3-003	WIRE, WATER COVER	1	
016	31233-ZE2-003	INSULATOR	1	
017	31244-ZH9-003	SPRING	1	
018	31245-ZH9-003	SHAFT	1	
019	90007-ZE2-003	BOLT-WASHER, 5X14	2	
020	90110-ZE2-003	SCREW-WASHER, 4X6	1	
021	90403-ZH9-003	WASHER, SK	1	
022	91601-ZE2-003	PACKING	1	
023	93892-0503218	SCREW-WASHER, 5X32	4	
024	94070-06080	NUT-WASHER, 6MM	2	
025	95701-0804000	BOLT, FLANGE, 8X40	2	
026	31219-ZE3-003	SCREW-WASHER, 4X14	2	1182940

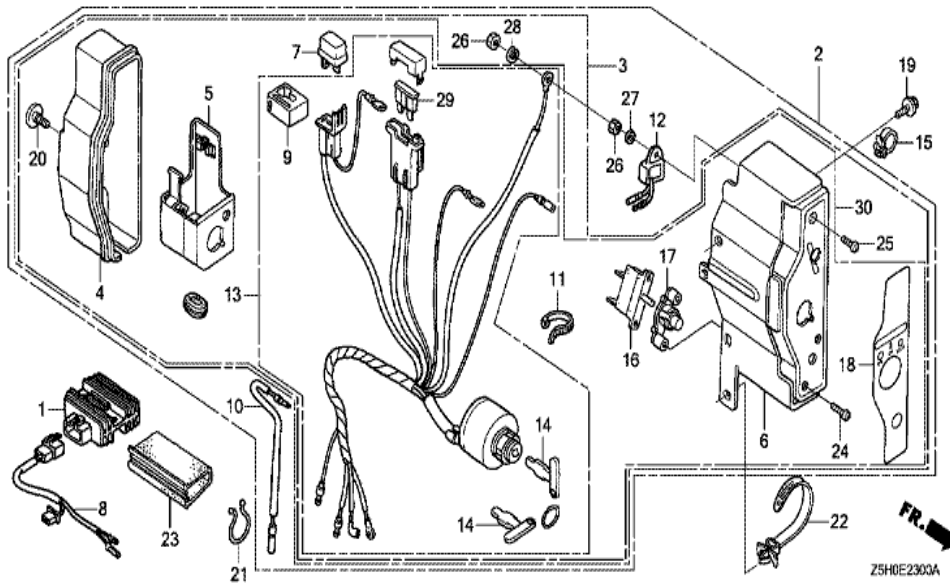


Ref	Partnumber	Description	GX270U	Serial Numbers
001	16550-ZE2-700	ARM COMP., GOVERNOR	1	
003	16555-ZE2-000	ROD, GOVERNOR	1	
004	16561-ZH9-U30	SPRING, GOVERNOR	1	
005	16562-ZE2-700	SPRING, THROTTLE RETURN	1	
011	16570-ZE2-721	CONTROL ASSY.	1	1086738
011	16570-ZE2-722	CONTROL ASSY.	1	1086739
018	16584-883-300	SPRING, CONTROL ADJUSTING	1	
024	90013-883-000	BOLT, FLANGE, 6X12 (CT200)	2	
025	90015-ZE5-010	BOLT, GOVERNOR ARM	1	
032	93500-050350A	SCREW, PAN, 5X35	1	
034	94050-06000	NUT, FLANGE, 6MM	1	



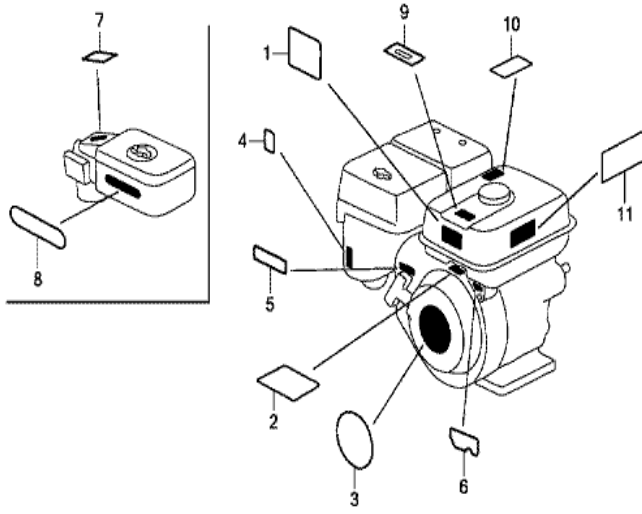
Z5H0E2210B

Ref	Partnumber	Description	GX270U	Serial Numbers
001	16252-ZA1-010	CAP, CHOKE LEVER	1	
002	16268-893-000	SPRING, CHOKE RETURN	1	
003	16270-ZB4-010	AUTO-THROTTLE ASSY.	1	
004	16271-ZB4-000	STAY, SOLENOID THROTTLE	1	
005	16273-ZB4-000	LEVER COMP., SOLENOID THROTTLE	1	
006	36160-ZB4-013	SOLENOID ASSY.	1	
007	90013-883-000	BOLT, FLANGE, 6X12 (CT200)	1	
008	91502-ZB4-701	BUSH, AUTO-THROTTLE LEVER	1	
009	93500-050080A	SCREW, PAN, 5X8	2	
010	94305-20062	PIN, SPRING, 2X6	1	
011	94540-04018	E-RING, 4MM	1	



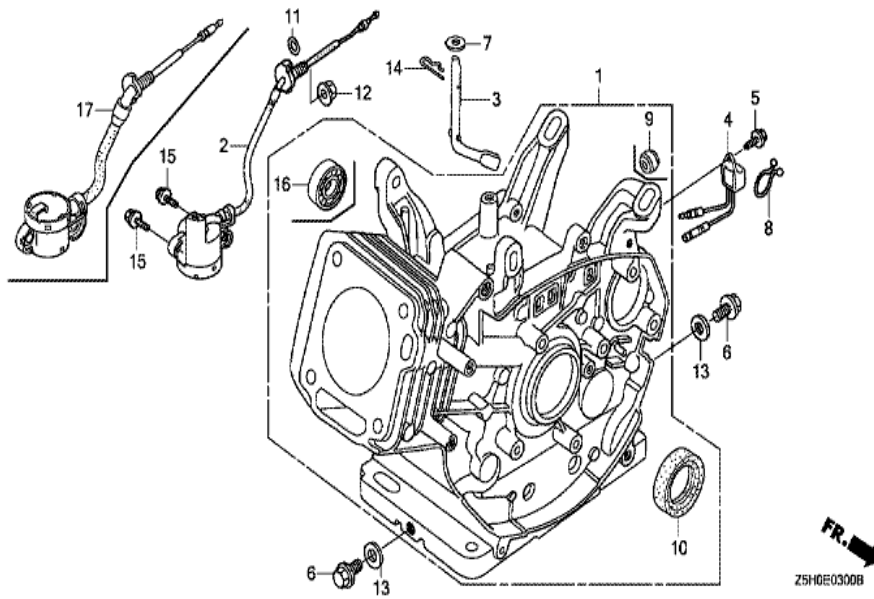
Z5H0E2300A

Ref	Partnumber	Description	GX270U	Serial Numbers
002	31610-Z5J-801ZB	BOX ASSY., CONTROL (EXP-ALERT) (3A) *NH1	1	
004	31612-ZE2-003	CASE, CONTROL	1	
005	31614-ZE2-003	BRACKET, CASE MOUNTING	1	
006	31615-ZE2-003ZE	PANEL COMP., CONTROL *NH105 *	1	
007	31700-124-008	RECTIFIER ASSY., SILICON (SHINDENGEN)	1	
009	32127-738-700	SUSPENSION, COUPLER	1	
010	32197-ZE1-003	HARNESS, SUB WIRE	1	
011	32902-892-003	BAND	1	
012	34150-ZH7-003	ALERT UNIT, OIL	1	1185318
012	34150-ZH7-013	ALERT UNIT, OIL	1	1185319
013	35100-ZE2-842	SWITCH ASSY., COMBINATION (3A-CHARGE)	1	1184855
013	35100-ZE2-843	SWITCH ASSY., COMBINATION (3A-CHARGE)	1	1184856
014	35111-880-013	KEY COMP. (HONDA LOCK)	2	
Ref	Partnumber	Description	GX270U	Serial Numbers
015	36103-ZE1-000	HOLDER, STOP SWITCH CORD	1	
016	38240-ZE2-840	PROTECTOR, CIRCUIT (3.5A)	1	
017	38250-ZA8-701	LENS ASSY., PROTECTOR	1	
018	87529-Z4T-840	MARK, CONTROL BOX (EXTERNAL)	1	
019	90013-883-000	BOLT, FLANGE, 6X12 (CT200)	2	
020	90380-MA6-010	SCREW, SPECIAL, 6X12	1	
021	90630-751-000	CLIP, PURSE LOCK	1	
022	90672-SA0-003	STRAP, CABLE, 118MM (BLACK)	1	
023	91406-ZE2-003	TUBE, FASTENER, 30MM	1	
024	93500-030120H	SCREW, PAN, 3X12	2	
025	93500-040120H	SCREW, PAN, 4X12	1	
026	94001-043900S	NUT, HEX., 4MM	2	
027	94101-04800	WASHER, PLAIN, 4MM	1	
028	94111-04800	WASHER, SPRING, 4MM	1	
029	98200-31500	FUSE, BLADE (15A)	1	

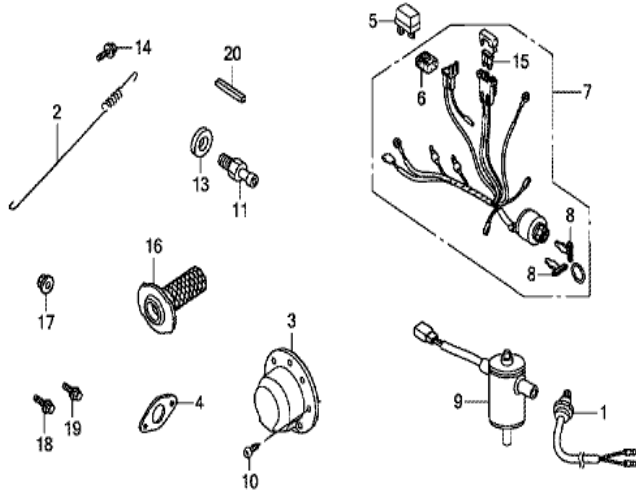


Z5H0E2800B

Ref	Partnumber	Description	GX270U	Serial Numbers
003	87521-ZH9-030	EMBLEM (GX270 9.0)	1	1177027
003	87521-ZH9-040	EMBLEM (GX270)	1	1177028

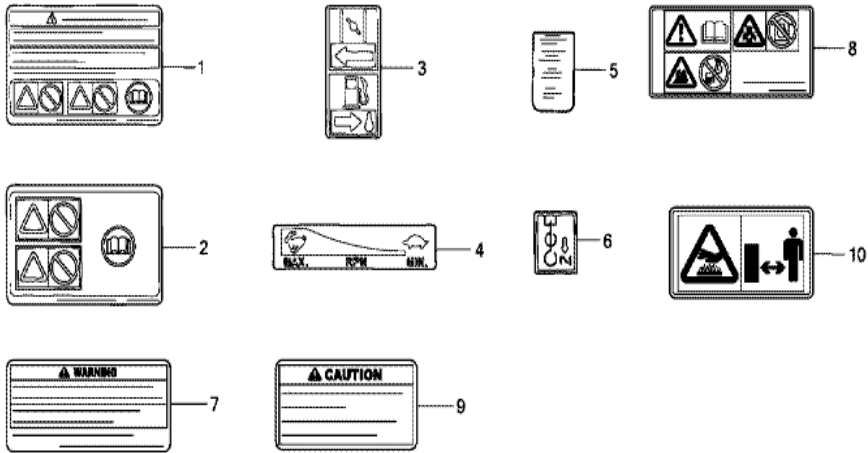
FR. →
Z5H0E0300B

Ref	Partnumber	Description	GX270U	Serial Numbers
001	12000-ZH9-Q10	BARREL ASSY., CYLINDER (BALANCER+SELFSTA	1	
002	15510-ZE2-043	SWITCH ASSY., OIL LEVEL	1	1182907
002	15510-ZE2-053	SWITCH ASSY., OIL LEVEL	1	1182908 1231591
002	35480-ZF6-003	SWITCH ASSY., OIL LEVEL	1	1231592
003	16541-ZE2-010	SHAFT, GOVERNOR ARM	1	
006	90131-883-000	BOLT, DRAIN PLUG, 12X15	2	
007	90446-KE1-000	WASHER, 8.2X17X0.8	1	
010	91201-890-003	OIL SEAL, 30X46X8	1	
011	91353-671-004	O-RING, 14MM (NOK)	1	
012	94050-10000	NUT, FLANGE, 10MM	1	
013	94109-12000	WASHER, DRAIN PLUG, 12MM	2	
014	94251-10000	PIN, LOCK, 10MM	1	
015	95701-0601200	BOLT, FLANGE, 6X12	2	
Ref	Partnumber	Description	GX270U	Serial Numbers
016	96100-6202000	BEARING, RADIAL BALL, 6202	1	



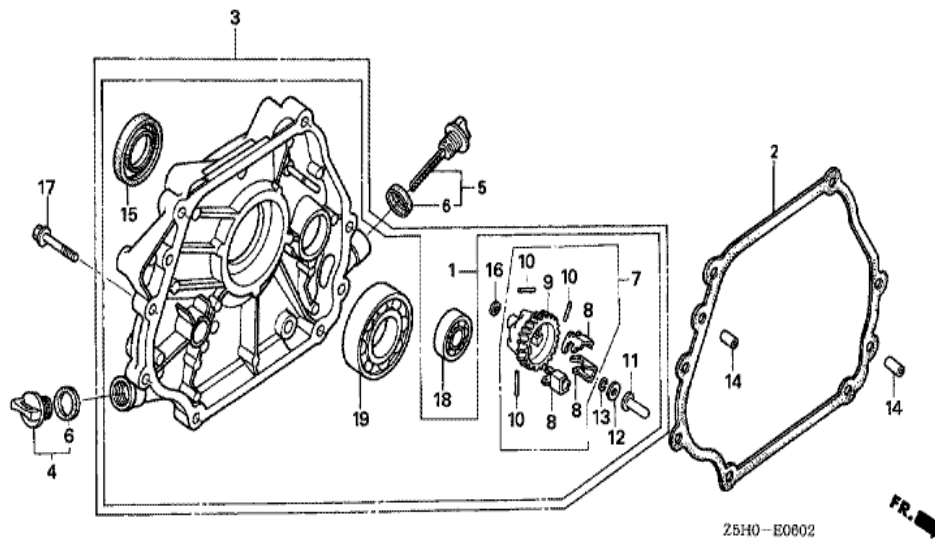
Z5H0E4000D

<u>Ref</u>	<u>Partnumber</u>	<u>Description</u>	<u>GX270U</u>	<u>Serial Numbers</u>
004	18333-ZE3-800	GASKET, EX. PIPE	1	



Z5H0E4001C

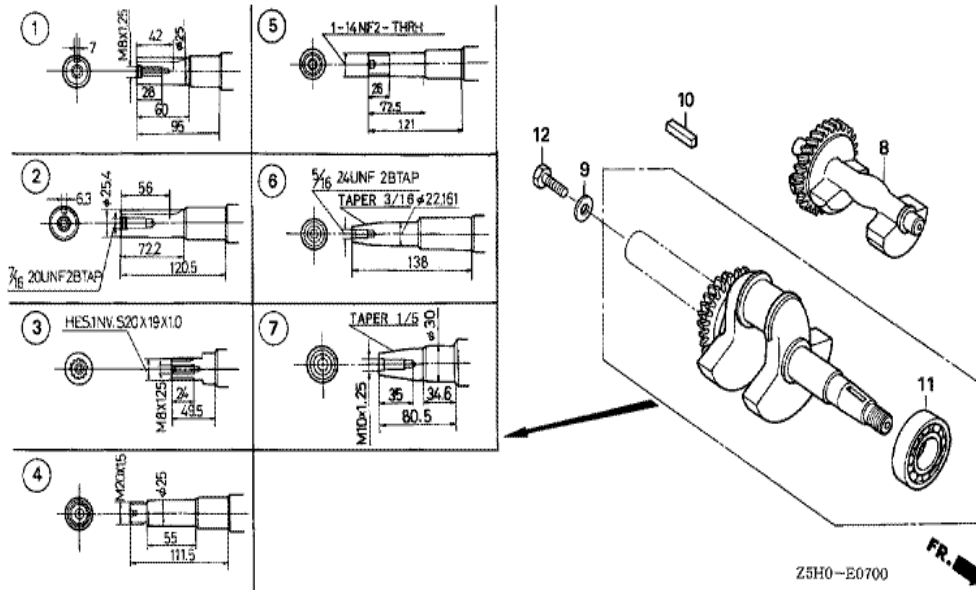
Ref	Partnumber	Description	GX270U	Serial Numbers
001	87516-ZH7-000	MARK, OPERATOR CAUTION (ENGLISH) (MADE I	1	1232633
001	87516-ZH7-800	MARK, OPERATOR CAUTION (FRENCH) (MADE IN	1	1232633
002	87516-ZH7-810	MARK, OPERATOR CAUTION (PICTOGRAPH) (MAD	1	1232633
003	87528-ZH7-000	MARK, CHOKE (GRAY)	1	1027135
006	87528-898-620	MARK, CHOKE	1	1027136
007	87516-ZH7-010	MARK, OPERATOR CAUTION (ENGLISH) (MADE I	1	1232634
007	87516-ZH7-801	MARK, OPERATOR CAUTION (FRENCH) (MADE IN	1	1232634
008	87519-ZH7-000	MARK, OPERATOR CAUTION (PICTOGRAPH)	1	1232634



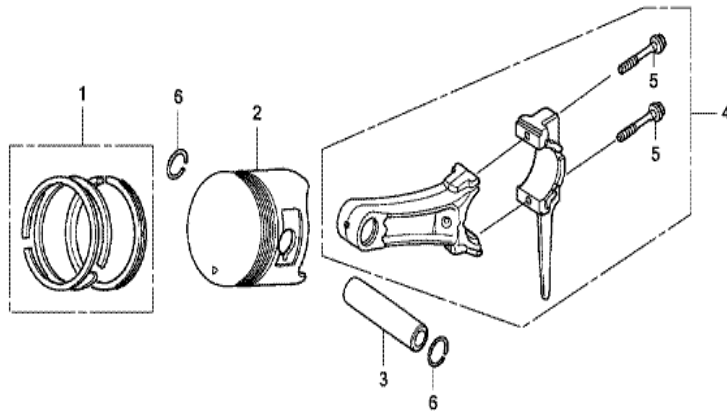
Z5H0-E0802



Ref	Partnumber	Description	GX270U	Serial Numbers
002	11381-ZE2-801	PACKING, CASE COVER	1	
003	11400-ZE2-671	COVER ASSY., CRANKCASE	1	
004	15600-ZG4-003	CAP ASSY., OIL FILLER	1	
005	15600-735-003	CAP ASSY., OIL FILLER	1	
006	15625-ZE1-003	PACKING, OIL FILLER CAP	2	
007	16510-ZE3-000	GOVERNOR ASSY.	1	
008	16511-ZE8-000	WEIGHT, GOVERNOR	3	
009	16512-ZE3-000	HOLDER, GOVERNOR WEIGHT	1	
010	16513-ZE2-000	PIN, GOVERNOR WEIGHT	3	
011	16531-Z0A-000	SLIDER, GOVERNOR	1	
012	90473-147-000	WASHER, 6X16	1	
013	90602-896-000	CLIP, GOVERNOR HOLDER	(1)	
013	90602-ZE1-000	CLIP, GOVERNOR HOLDER	1	
Ref	Partnumber	Description	GX270U	Serial Numbers
014	90701-HC4-000	DOWEL PIN, 8X12	2	
015	91201-890-003	OIL SEAL, 30X46X8	1	
016	94101-06800	WASHER, PLAIN, 6MM	1	
017	95701-0803500	BOLT, FLANGE, 8X35	7	
018	96100-6202000	BEARING, RADIAL BALL, 6202	1	
019	96100-6206000	BEARING, RADIAL BALL, 6206	1	



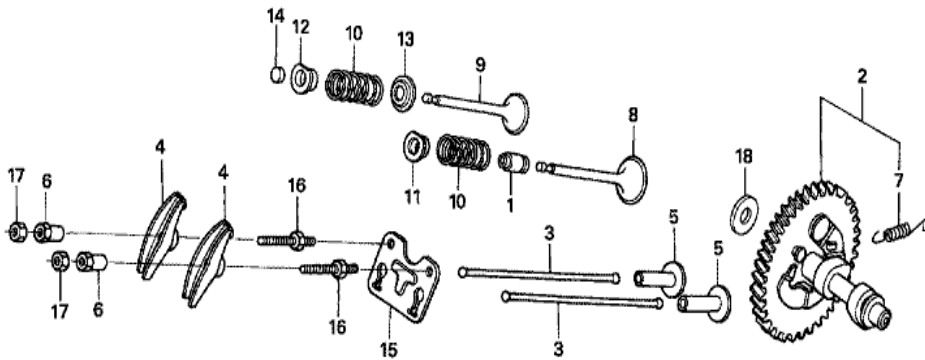
Ref	Partnumber	Description	GX270U	Serial Numbers
006	13310-ZH9-841	CRANKSHAFT COMP.	1	
008	13351-ZE2-010	WEIGHT, BALANCER	1	
010	90745-ZE2-600	KEY, 6.3X6.3X43	1	
011	91001-ZH9-003	BEARING, RADIAL BALL (6206 SH)	1	



ZGH0E080CA



Ref	Partnumber	Description	GX270U	Serial Numbers
001	13010-Z5H-004	RING SET, PISTON (STD.) (TPR)	1	1200784
001	13010-ZE8-601	RING SET, PISTON (STD.) (NIPPON)	1	1200783
001	13010-ZE8-602	RING SET, PISTON (STD.) (TEIKOKU)	1	1200783
001	13011-Z5H-004	RING SET, PISTON (0.25) (TPR)	(1)	1200784
001	13011-ZE8-601	RING SET, PISTON (0.25) (NIPPON)	(1)	1200783
001	13011-ZE8-602	RING SET, PISTON (0.25) (TEIKOKU)	(1)	1200783
001	13012-Z5H-004	RING SET, PISTON (0.50) (TPR)	(1)	1200784
001	13012-ZE8-601	RING SET, PISTON (0.50) (NIPPON)	(1)	1200783
001	13012-ZE8-602	RING SET, PISTON (0.50) (TEIKOKU)	(1)	1200783
001	13013-Z5H-004	RING SET, PISTON (0.75) (TPR)	(1)	1200784
001	13013-ZE8-601	RING SET, PISTON (0.75) (NIPPON)	(1)	1200783
001	13013-ZE8-602	RING SET, PISTON (0.75) (TEIKOKU)	(1)	1200783
002	13101-ZH9-000	PISTON (STD.)	1	1200783
Ref	Partnumber	Description	GX270U	Serial Numbers
002	13101-ZH9-010	PISTON (STD.)	1	1200784
002	13102-ZH9-000	PISTON (0.25)	(1)	1200783
002	13102-ZH9-010	PISTON (0.25)	(1)	1200784
002	13103-ZH9-000	PISTON (0.50)	(1)	1200783
002	13103-ZH9-010	PISTON (0.50)	(1)	1200784
002	13104-ZH9-000	PISTON (0.75)	(1)	1200783
002	13104-ZH9-010	PISTON (0.75)	(1)	1200784
003	13111-ZE2-000	PIN, PISTON	1	
004	13200-ZE2-010	ROD ASSY., CONNECTING (STD.)	1	
004	13200-ZE2-305	ROD ASSY., CONNECTING (0.25 UNDER SIZE)	(1)	
005	90001-ZE8-000	BOLT, CONNECTING ROD	2	
006	90551-ZE1-000	CLIP, PISTON PIN, 18MM	2	



Z5H0-E0900A



<u>Ref</u>	<u>Partnumber</u>	<u>Description</u>	<u>GX270U</u>	<u>Serial Numbers</u>
001	12209-ZE8-003	SEAL, VALVE STEM	1	
002	14100-ZE3-020	CAMSHAFT ASSY.	1	
003	14410-ZE2-013	ROD, PUSH	2	
004	14431-ZE2-010	ARM, VALVE ROCKER	2	
005	14441-ZE2-000	LIFTER, VALVE	2	
006	14451-ZE1-013	PIVOT, ROCKER ARM	2	
007	14568-ZE1-000	SPRING, WEIGHT RETURN	1	
008	14711-ZE2-000	VALVE, IN.	1	
009	14721-ZE2-000	VALVE, EX.	1	
010	14751-ZE2-003	SPRING, VALVE	2	
011	14771-ZE2-000	RETAINER, IN. VALVE SPRING	1	
012	14773-ZE2-000	RETAINER, EX. VALVE SPRING	1	
013	14775-ZE2-010	SEAT, VALVE SPRING	1	
<u>Ref</u>	<u>Partnumber</u>	<u>Description</u>	<u>GX270U</u>	<u>Serial Numbers</u>
014	14781-ZE2-000	ROTATOR, VALVE	1	
015	14791-ZE2-010	GUIDE, PUSH ROD	1	
016	90012-ZE0-010	BOLT, PIVOT, 8MM	2	
017	90206-ZE1-000	NUT, PIVOT ADJUSTING	2	