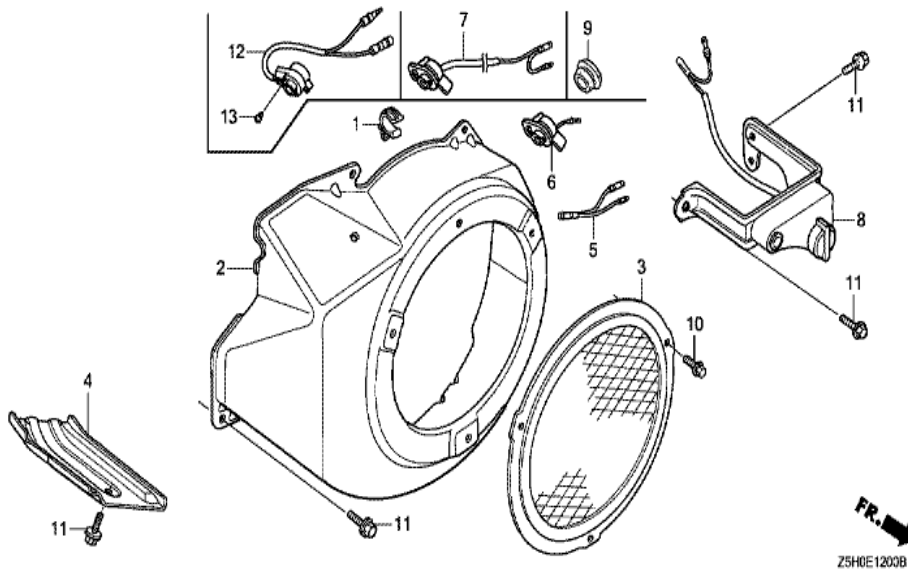


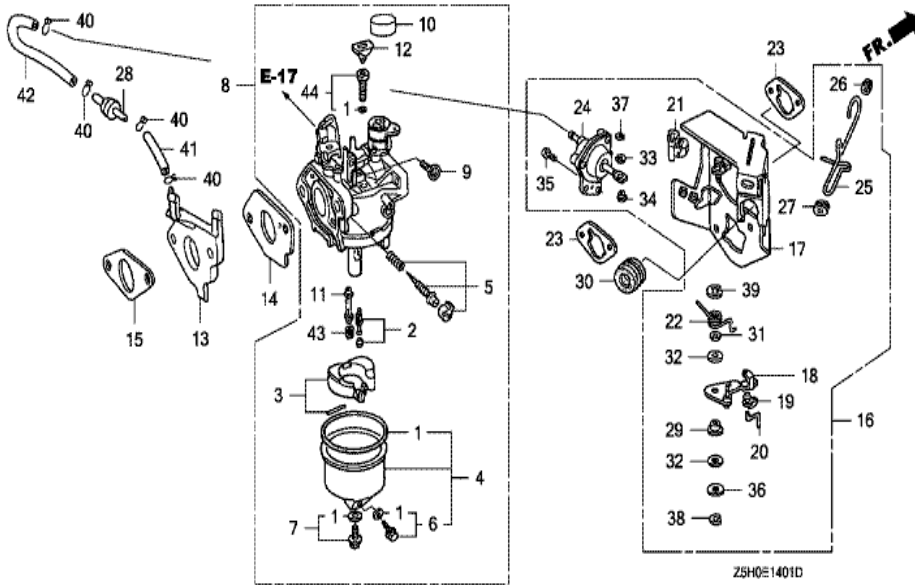
FR. →  
Z5H0E1100A

| Ref | Partnumber      | Description                        | GX270U | Serial Numbers |
|-----|-----------------|------------------------------------|--------|----------------|
| 001 | 28400-ZE2-W01ZN | STARTER ASSY., RECOIL *R280 *      | 1      |                |
| 002 | 28410-ZE2-W01ZN | CASE COMP., RECOIL STARTER *R280 * | 1      |                |
| 003 | 28421-ZE2-W01   | PULLEY, RECOIL STARTER             | 1      |                |
| 004 | 28422-ZE2-W01   | RATCHET, STARTER                   | 2      |                |
| 005 | 28441-ZE2-W01   | SPRING, FRICTION                   | 1      |                |
| 006 | 28442-ZE2-W01   | SPRING, STARTER RETURN             | 1      |                |
| 007 | 28443-ZE2-W01   | SPRING, RATCHET                    | 2      |                |
| 008 | 28444-ZE2-W01   | RETAINER, SPRING                   | 1      |                |
| 009 | 28461-ZE2-W02   | GRIP, STARTER                      | 1      |                |
| 010 | 28462-ZE2-W11   | ROPE, RECOIL STARTER               | 1      |                |
| 011 | 90004-ZE2-W01   | SCREW, CENTER                      | 1      |                |
| 012 | 90008-ZE2-003   | BOLT, FLANGE, 6X10                 | 3      |                |



Z5H0E1200B

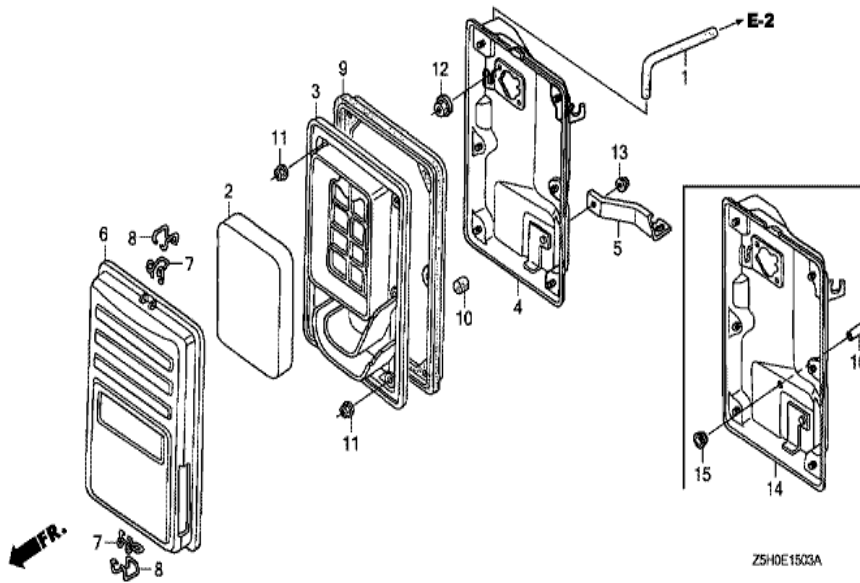
| Ref | Partnumber      | Description                      | GX270U | Serial Numbers |
|-----|-----------------|----------------------------------|--------|----------------|
| 001 | 16731-ZE2-003   | CLIP, TUBE                       | 1      |                |
| 002 | 19610-ZK2-880ZB | COVER COMP., FAN *R280 *         | 1      |                |
| 004 | 19631-ZE2-D00   | SHROUD                           | 1      |                |
| 008 | 36100-ZH9-V02   | SWITCH ASSY., ENGINE STOP (SDMO) | 1      |                |
| 009 | 81329-567-020   | GROMMET, DRAIN HOLE              | 1      |                |
| 011 | 90013-883-000   | BOLT, FLANGE, 6X12 (CT200)       | 8      |                |



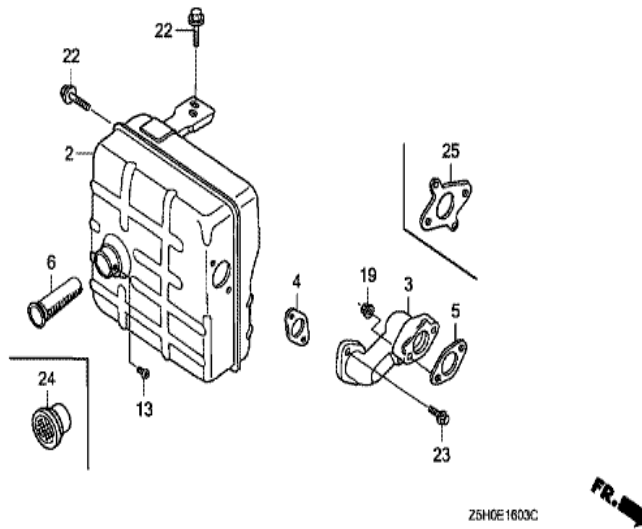
ZSH0E1401D

| Ref | Partnumber    | Description                  | GX270U | Serial Numbers |
|-----|---------------|------------------------------|--------|----------------|
| 001 | 16010-ZF5-900 | GASKET SET                   | 1      |                |
| 002 | 16011-ZA0-931 | VALVE SET, FLOAT             | 1      |                |
| 003 | 16013-ZA0-931 | FLOAT SET                    | 1      |                |
| 004 | 16015-ZE8-005 | CHAMBER SET, FLOAT           | 1      |                |
| 005 | 16016-ZH8-W01 | SCREW SET                    | 1      |                |
| 006 | 16024-ZE1-811 | SCREW SET, DRAIN             | 1      |                |
| 007 | 16028-ZE0-005 | SCREW SET                    | 1      |                |
| 008 | 16100-ZK9-R61 | CARBURETOR ASSY. (BE77R A)   | 1      | 1070780        |
| 008 | 16100-ZK9-R62 | CARBURETOR ASSY. (BE77R B/C) | 1      | 1070781        |
| 009 | 16124-ZE0-005 | SCREW, THROTTLE STOP         | 1      |                |
| 010 | 16148-141-881 | CAP, CHOKE DUST              | 1      |                |
| 011 | 16166-ZH9-820 | NOZZLE, MAIN                 | 1      |                |
| 012 | 16172-ZE3-W10 | COLLAR, SETTING              | 1      |                |

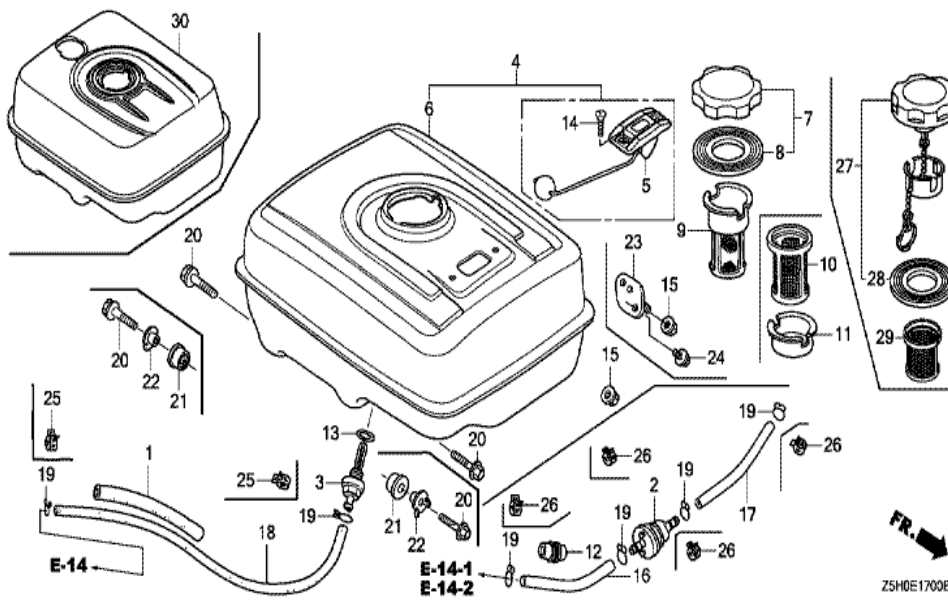
| <u>Ref</u> | <u>Partnumber</u> | <u>Description</u>             | <u>GX270U</u> | <u>Serial Numbers</u> |
|------------|-------------------|--------------------------------|---------------|-----------------------|
| 013        | 16211-ZE2-700     | INSULATOR, CARBURETOR          | 1             |                       |
| 014        | 16221-ZA0-800     | PACKING, CARBURETOR            | 1             |                       |
| 015        | 16223-ZA0-800     | PACKING, INSULATOR             | 1             |                       |
| 016        | 16260-ZE3-D21     | STAY ASSY., MANUAL CHOKE       | 1             |                       |
| 017        | 16261-ZE2-702     | STAY COMP., SOLENOID           | 1             |                       |
| 018        | 16262-ZE2-711     | LEVER, CHOKE                   | 1             |                       |
| 019        | 16263-ZA0-000     | JOINT, ROD                     | 1             |                       |
| 020        | 16264-ZE2-701     | ROD, CHOKE                     | 1             |                       |
| 021        | 16265-ZE2-721     | STOPPER, CHOKE ROD             | 1             |                       |
| 022        | 16268-ZE2-721     | SPRING, MANUAL CHOKE           | 1             |                       |
| 023        | 16269-ZA0-800     | PACKING, AIR CLEANER           | 2             |                       |
| 024        | 16400-ZE2-703     | DIAPHRAGM ASSY.                | 1             |                       |
| 025        | 16611-ZE3-D21     | ROD, CHOKE CONTROL             | 1             |                       |
| 026        | 16613-893-000     | GROMMET, CHOKE ROD             | 1             |                       |
| 027        | 16615-893-000     | GUIDE, CHOKE ROD               | 1             |                       |
| 028        | 36135-ZF6-D41     | VALVE, DASHPOT CHECK           | 1             |                       |
| 029        | 53149-964-003     | BUSH, ARM PIVOT                | 1             |                       |
| 030        | 88911-MJ3-000     | GROMMET, FENDER                | 1             |                       |
| 031        | 90431-ZE2-700     | WASHER, CHOKE LEVER            | 1             |                       |
| 032        | 90432-ZE2-700     | SEAL, CHOKE LEVER              | 2             |                       |
| 033        | 90433-ZE2-700     | WASHER, THRUST, 2.7X8          | 1             |                       |
| 034        | 90434-ZE2-700     | COLLAR, LEVER                  | 1             |                       |
| 035        | 93500-050120A     | SCREW, PAN, 5X12               | 2             |                       |
| 036        | 94103-05000       | WASHER, PLAIN, 5MM             | 1             |                       |
| 037        | 94540-02010       | E-RING, 2MM                    | 1             |                       |
| 038        | 94540-04010       | E-RING, 4MM                    | 1             |                       |
| 039        | 94540-07010       | E-RING, 7MM                    | 1             |                       |
| 040        | 95002-02070       | CLIP, TUBE (B7)                | 4             |                       |
| 041        | 95005-3505510     | TUBE, 3.5X55 (95005-35001-10M) | 1             |                       |
| 042        | 95005-3507510     | TUBE, 3.5X75 (95005-35001-10M) | 1             |                       |
| 043        | 99101-ZH80880     | JET, MAIN, #88                 | (1)           |                       |
| 043        | 99101-ZH80900     | JET, MAIN, #90                 | (1)           |                       |
| 043        | 99101-ZH80920     | JET, MAIN, #92                 | 1             |                       |
| <u>Ref</u> | <u>Partnumber</u> | <u>Description</u>             | <u>GX270U</u> | <u>Serial Numbers</u> |
| 044        | 99204-ZE00400     | JET SET, PILOT, #40            | 1             | BE77R A               |
| 044        | 99204-ZE20400     | JET SET, PILOT, #40            | 1             | BE77R B               |



| Ref | Partnumber    | Description              | GX270U | Serial Numbers |
|-----|---------------|--------------------------|--------|----------------|
| 001 | 15721-ZB4-000 | TUBE, BREATHER           | 1      |                |
| 002 | 17211-899-000 | ELEMENT, AIR CLEANER     | 1      |                |
| 003 | 17212-Z5R-000 | SEPARATOR, AIR CLEANER   | 1      | 1201799        |
| 003 | 17212-ZB4-003 | SEPARATOR, AIR CLEANER   | 1      | 1201798        |
| 004 | 17220-ZB4-003 | CASE COMP., AIR CLEANER  | 1      | 1201798        |
| 005 | 17222-ZB4-000 | STAY, AIR CLEANER        | 1      |                |
| 006 | 17231-899-000 | COVER COMP., AIR CLEANER | 1      |                |
| 007 | 17235-899-000 | CLIP A, AIR CLEANER WIRE | 2      |                |
| 008 | 17236-899-000 | CLIP B, AIR CLEANER WIRE | 2      |                |
| 009 | 17252-899-000 | SEAL, AIR CLEANER        | 1      |                |
| 010 | 17367-413-690 | FILTER, DRAIN TUBE       | 1      |                |
| 011 | 94050-05000   | NUT, FLANGE, 5MM         | 6      |                |
| 012 | 94050-06000   | NUT, FLANGE, 6MM         | 2      |                |
| Ref | Partnumber    | Description              | GX270U | Serial Numbers |
| 013 | 94050-06080   | NUT, FLANGE, 6MM         | 1      |                |
| 014 | 17220-Z5R-000 | CASE COMP., AIR CLEANER  | 1      | 1201799        |
| 015 | 17232-898-000 | GROMMET, AIR CLEANER     | 1      | 1201799        |
| 016 | 90634-ZL8-H00 | CAP, SEALING             | 1      | 1201799        |

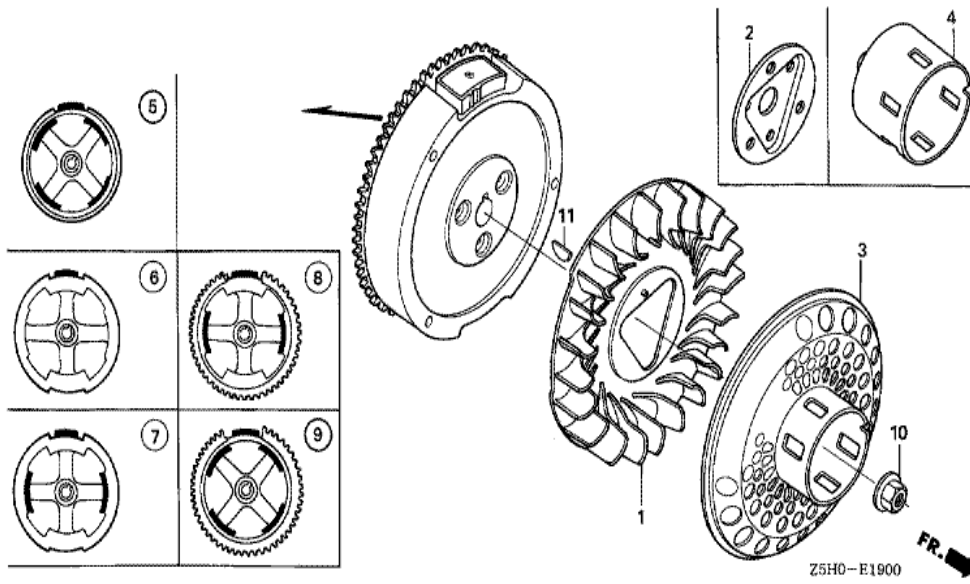


| Ref | Partnumber    | Description          | GX270U | Serial Numbers |
|-----|---------------|----------------------|--------|----------------|
| 002 | 18310-ZH9-V01 | MUFFLER COMP. (SDMO) | 1      |                |
| 003 | 18330-ZE2-700 | PIPE, EX.            | 1      |                |
| 004 | 18333-ZB4-800 | GASKET, EX. PIPE     | 1      |                |
| 005 | 18333-ZE3-800 | GASKET, EX. PIPE     | 1      | 1120942        |
| 006 | 18355-ZB4-630 | ARRESTER, SPARK      | (1)    |                |
| 013 | 90002-ZE2-U91 | SCREW, TAPPING, 4X8  | (1)    |                |
| 013 | 90056-ZL0-000 | SCREW, TAPPING, 4X6  | 1      |                |
| 019 | 94050-08000   | NUT, FLANGE, 8MM     | 2      |                |
| 022 | 95701-0801608 | BOLT, FLANGE, 8X16   | 2      |                |
| 023 | 95701-0802000 | BOLT, FLANGE, 8X20   | 2      |                |
| 024 | 18361-ZL0-000 | NETTING, WIRE FLANGE | 1      |                |
| 025 | 18333-ZF6-W01 | GASKET, EX. PIPE     | 1      | 1120943        |



Z5H0E1700E

| Ref | Partnumber    | Description                           | GX270U | Serial Numbers |
|-----|---------------|---------------------------------------|--------|----------------|
| 001 | 16854-ZH8-000 | RUBBER, SUPPORTER (107MM)             | 1      |                |
| 018 | 91424-Z4J-821 | TUBE, FUEL, 4.5X430 (FKM)             | 1      | 1048468        |
| 018 | 95001-4543040 | TUBE, FUEL, 4.5X430 (95001-45001-60M) | 1      | 1048467        |
| 019 | 95002-02080   | CLIP, TUBE (B8)                       | 2      | 1048467        |
| 025 | 95002-4080008 | CLAMP, TUBE (D8)                      | 2      | 1048468        |

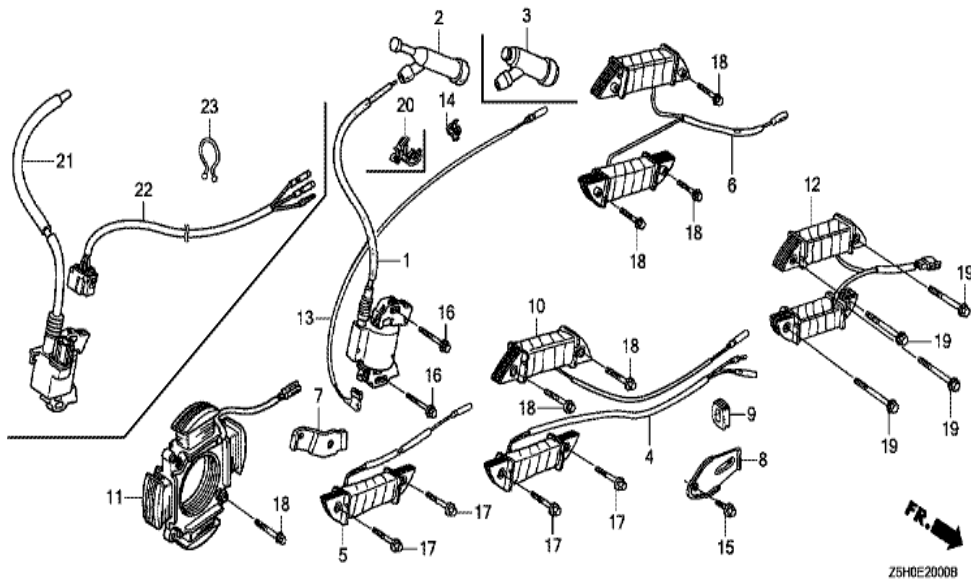


Z5H0-E1900

| Ref | Partnumber    | Description                         | GX270U | Serial Numbers |
|-----|---------------|-------------------------------------|--------|----------------|
| 001 | 19511-ZE2-000 | FAN, COOLING                        | 1      |                |
| 003 | 28450-ZE2-W11 | PULLEY COMP., STARTER (SCREEN GRID) | 1      |                |
| 006 | 31100-ZE2-010 | FLYWHEEL COMP.                      | 1      |                |
| 010 | 90201-ZE3-790 | NUT, SPECIAL, 16MM                  | 1      | 1146554        |
| 010 | 90201-ZE3-V00 | NUT, SPECIAL, 16MM                  | 1      | 1146553        |
| 011 | 90741-ZE2-000 | KEY, SPECIAL WOODRUFF, 25X18        | 1      |                |

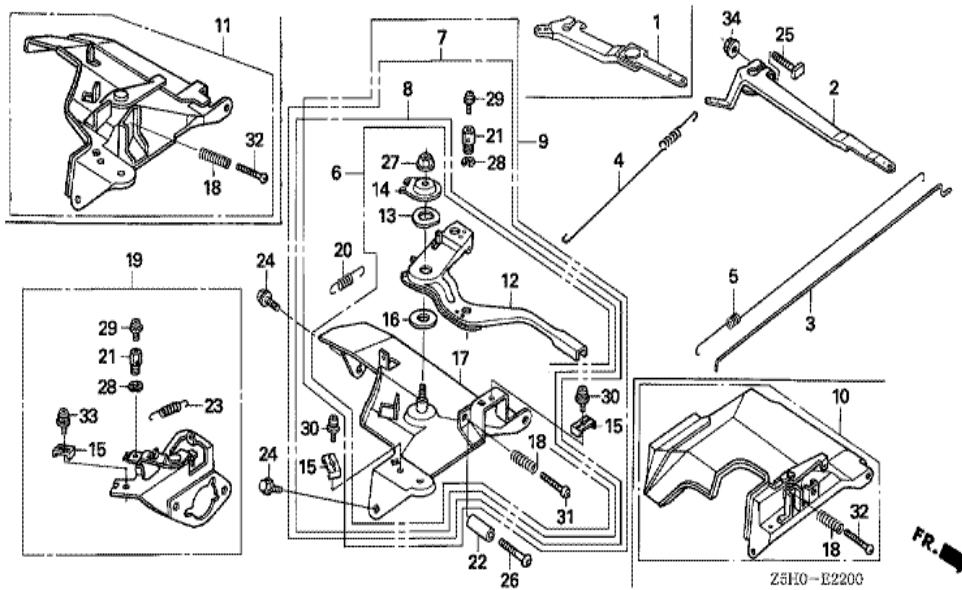




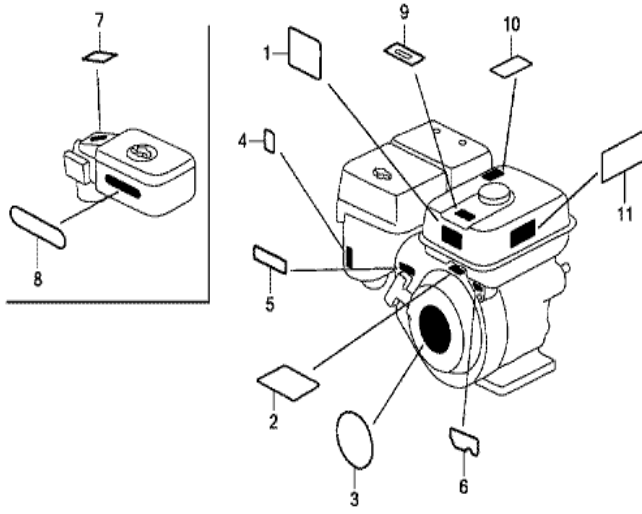


Z5H0E2000B

| Ref | Partnumber    | Description                 | GX270U | Serial Numbers |
|-----|---------------|-----------------------------|--------|----------------|
| 001 | 30500-ZF6-W02 | COIL ASSY., IGNITION        | 1      | 1177027        |
| 001 | 30500-ZF6-W03 | COIL ASSY., IGNITION        | 1      | 1177028        |
| 003 | 30700-ZF5-013 | CAP ASSY., NOISE SUPPRESSOR | 1      |                |
| 009 | 31512-ZE2-000 | GROMMET, CORD               | 1      |                |
| 013 | 36101-ZE1-010 | CORD, STOP SWITCH (370MM)   | 1      |                |
| 016 | 90015-883-000 | BOLT, FLANGE, 6X28 (CT200)  | 2      |                |
| 020 | 90684-ZA0-601 | CLIP, HARNESS               | 1      |                |

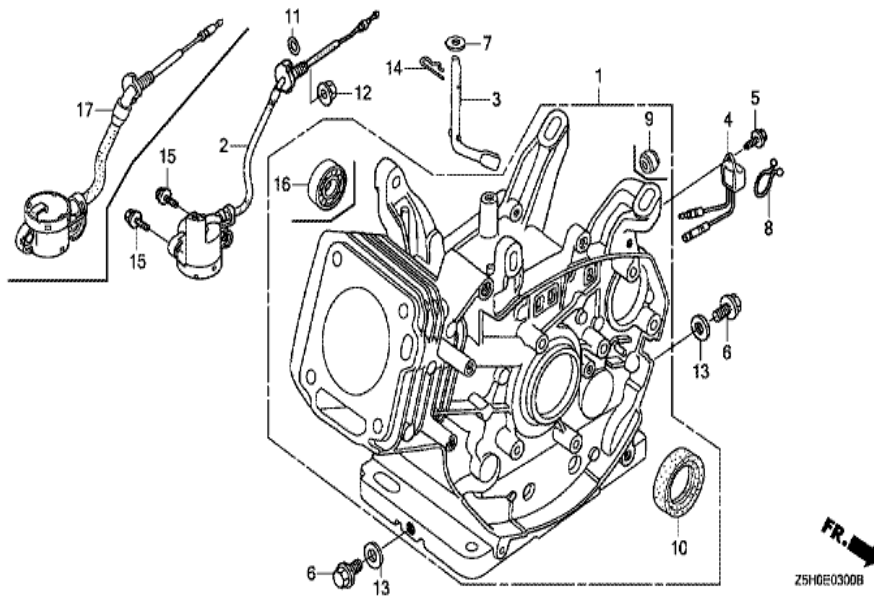


| Ref | Partnumber    | Description                              | GX270U | Serial Numbers |
|-----|---------------|--|--------|----------------|
| 002 | 16551-ZE2-000 | ARM, GOVERNOR                            | 1      |                |
| 003 | 16555-ZE2-000 | ROD, GOVERNOR                            | 1      |                |
| 004 | 16561-ZE2-000 | SPRING, GOVERNOR (L=145.0MM) (WIRE DIAME | 1      |                |
| 004 | 16561-ZE2-800 | SPRING, GOVERNOR (L=142.0MM)             | (1)    |                |
| 005 | 16562-ZE2-000 | SPRING, THROTTLE RETURN                  | 1      |                |
| 010 | 16570-ZE2-701 | CONTROL ASSY.                            | 1      |                |
| 018 | 16584-883-300 | SPRING, CONTROL ADJUSTING                | 1      |                |
| 022 | 16599-ZG1-M10 | COLLAR, STOPPER                          | (1)    |                |
| 024 | 90013-883-000 | BOLT, FLANGE, 6X12 (CT200)               | 2      |                |
| 025 | 90015-ZE5-010 | BOLT, GOVERNOR ARM                       | 1      |                |
| 026 | 90016-ZG9-N30 | SCREW, RECESSED, 5X25                    | (1)    |                |
| 032 | 93500-050350A | SCREW, PAN, 5X35                         | 1      |                |
| 034 | 94050-06000   | NUT, FLANGE, 6MM                         | 1      |                |



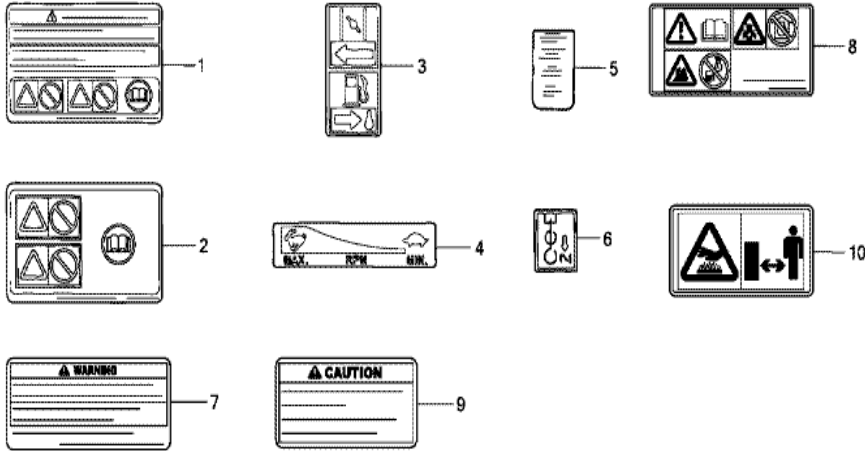
Z5H0E2800B

| Ref | Partnumber    | Description                              | GX270U | Serial Numbers |
|-----|---------------|--|--------|----------------|
| 002 | 87516-ZH7-000 | MARK, OPERATOR CAUTION (ENGLISH) (MADE I | 1      |                |
| 002 | 87516-ZH7-810 | MARK, OPERATOR CAUTION (PICTOGRAPH) (MAD | (1)    | 1232633        |
| 003 | 87521-ZH9-030 | EMBLEM (GX270 9.0)                       | 1      | 1177027        |
| 003 | 87521-ZH9-040 | EMBLEM (GX270)                           | 1      | 1177028        |
| 006 | 87532-ZH9-W41 | MARK, ENGINE SWITCH                      | 1      |                |



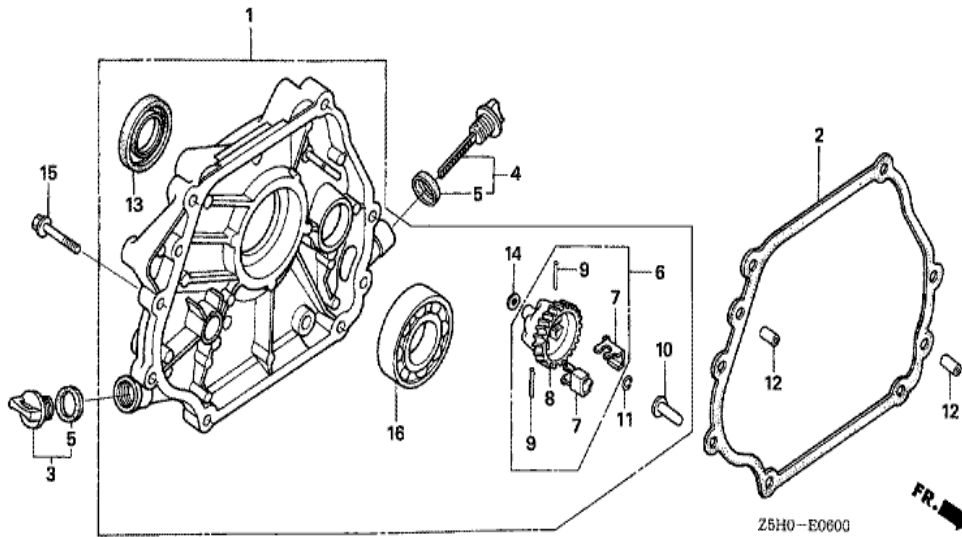
Z5H0E0300B

| <u>Ref</u> | <u>Partnumber</u> | <u>Description</u>             | <u>GX270U</u> | <u>Serial Numbers</u> |
|------------|-------------------|--------------------------------|---------------|-----------------------|
| 001        | 12000-ZH9-406     | BARREL ASSY., CYLINDER (ALERT) | 1             |                       |
| 002        | 15510-ZE2-043     | SWITCH ASSY., OIL LEVEL        | 1             |                       |
| 003        | 16541-ZE2-010     | SHAFT, GOVERNOR ARM            | 1             |                       |
| 004        | 34150-ZH7-003     | ALERT UNIT, OIL                | 1             |                       |
| 005        | 90013-883-000     | BOLT, FLANGE, 6X12 (CT200)     | 1             |                       |
| 006        | 90131-883-000     | BOLT, DRAIN PLUG, 12X15        | 2             |                       |
| 007        | 90446-KE1-000     | WASHER, 8.2X17X0.8             | 1             |                       |
| 008        | 90630-751-000     | CLIP, PURSE LOCK               | 1             |                       |
| 010        | 91201-890-003     | OIL SEAL, 30X46X8              | 1             |                       |
| 011        | 91353-671-004     | O-RING, 14MM (NOK)             | 1             |                       |
| 012        | 94050-10000       | NUT, FLANGE, 10MM              | 1             |                       |
| 013        | 94109-12000       | WASHER, DRAIN PLUG, 12MM       | 2             |                       |
| 014        | 94251-10000       | PIN, LOCK, 10MM                | 1             |                       |
| <u>Ref</u> | <u>Partnumber</u> | <u>Description</u>             | <u>GX270U</u> | <u>Serial Numbers</u> |
| 015        | 95701-0601200     | BOLT, FLANGE, 6X12             | 2             |                       |

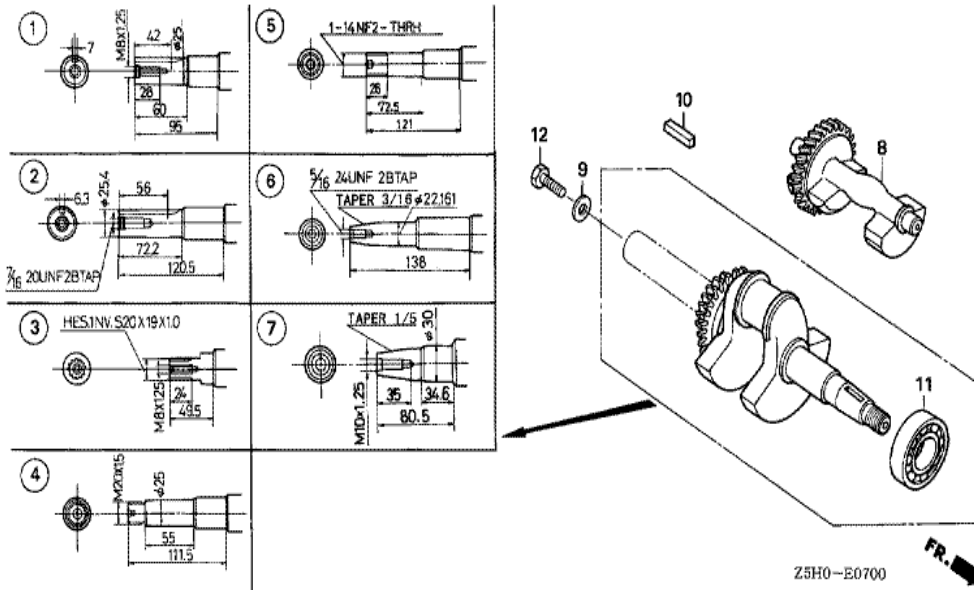


Z5H0E4001C

| Ref | Partnumber    | Description                              | GX270U | Serial Numbers |
|-----|---------------|--|--------|----------------|
| 001 | 87516-ZH7-800 | MARK, OPERATOR CAUTION (FRENCH) (MADE IN | 1      |                |
| 006 | 87528-898-620 | MARK, CHOKE                              | 1      |                |

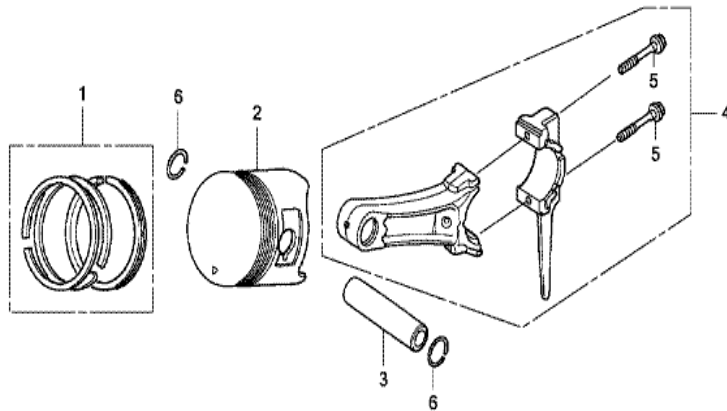


| <u>Ref</u> | <u>Partnumber</u> | <u>Description</u>         | <u>GX270U</u> | <u>Serial Numbers</u> |
|------------|-------------------|----------------------------|---------------|-----------------------|
| 001        | 11300-ZE2-602     | COVER ASSY., CRANKCASE     | 1             |                       |
| 002        | 11381-ZE2-801     | PACKING, CASE COVER        | 1             |                       |
| 003        | 15600-ZG4-003     | CAP ASSY., OIL FILLER      | 1             |                       |
| 004        | 15600-735-003     | CAP ASSY., OIL FILLER      | 1             |                       |
| 005        | 15625-ZE1-003     | PACKING, OIL FILLER CAP    | 2             |                       |
| 006        | 16510-ZE2-000     | GOVERNOR ASSY.             | 1             |                       |
| 007        | 16511-ZE2-000     | WEIGHT, GOVERNOR           | 2             |                       |
| 008        | 16512-ZE2-000     | HOLDER, GOVERNOR WEIGHT    | 1             |                       |
| 009        | 16513-ZE2-000     | PIN, GOVERNOR WEIGHT       | 2             |                       |
| 010        | 16531-Z0A-000     | SLIDER, GOVERNOR           | 1             |                       |
| 011        | 90602-ZE1-000     | CLIP, GOVERNOR HOLDER      | 1             |                       |
| 012        | 90701-HC4-000     | DOWEL PIN, 8X12            | 2             |                       |
| 013        | 91201-890-003     | OIL SEAL, 30X46X8          | 1             |                       |
| <u>Ref</u> | <u>Partnumber</u> | <u>Description</u>         | <u>GX270U</u> | <u>Serial Numbers</u> |
| 014        | 94101-06800       | WASHER, PLAIN, 6MM         | 1             |                       |
| 015        | 95701-0803500     | BOLT, FLANGE, 8X35         | 7             |                       |
| 016        | 96100-6206000     | BEARING, RADIAL BALL, 6206 | 1             |                       |



| Ref | Partnumber    | Description                    | GX270U | Serial Numbers |
|-----|---------------|--------------------------------|--------|----------------|
| 006 | 13310-ZK9-671 | CRANKSHAFT COMP.               | 1      |                |
| 011 | 91001-ZH9-003 | BEARING, RADIAL BALL (6206 SH) | 1      |                |

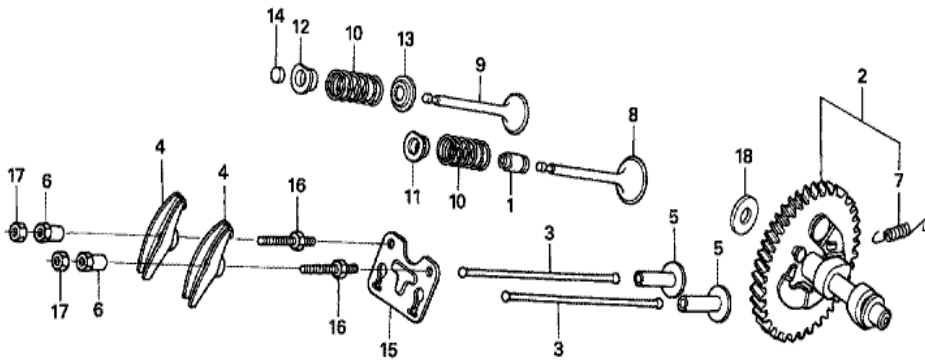




ZGH0E080CA



| Ref | Partnumber    | Description                             | GX270U | Serial Numbers |
|-----|---------------|---|--------|----------------|
| 001 | 13010-Z5H-004 | RING SET, PISTON (STD.) (TPR)           | 1      | 1200784        |
| 001 | 13010-ZE8-601 | RING SET, PISTON (STD.) (NIPPON)        | 1      | 1200783        |
| 001 | 13010-ZE8-602 | RING SET, PISTON (STD.) (TEIKOKU)       | 1      | 1200783        |
| 001 | 13011-Z5H-004 | RING SET, PISTON (0.25) (TPR)           | (1)    | 1200784        |
| 001 | 13011-ZE8-601 | RING SET, PISTON (0.25) (NIPPON)        | (1)    | 1200783        |
| 001 | 13011-ZE8-602 | RING SET, PISTON (0.25) (TEIKOKU)       | (1)    | 1200783        |
| 001 | 13012-Z5H-004 | RING SET, PISTON (0.50) (TPR)           | (1)    | 1200784        |
| 001 | 13012-ZE8-601 | RING SET, PISTON (0.50) (NIPPON)        | (1)    | 1200783        |
| 001 | 13012-ZE8-602 | RING SET, PISTON (0.50) (TEIKOKU)       | (1)    | 1200783        |
| 001 | 13013-Z5H-004 | RING SET, PISTON (0.75) (TPR)           | (1)    | 1200784        |
| 001 | 13013-ZE8-601 | RING SET, PISTON (0.75) (NIPPON)        | (1)    | 1200783        |
| 001 | 13013-ZE8-602 | RING SET, PISTON (0.75) (TEIKOKU)       | (1)    | 1200783        |
| 002 | 13101-ZH9-000 | PISTON (STD.)                           | 1      | 1200783        |
| Ref | Partnumber    | Description                             | GX270U | Serial Numbers |
| 002 | 13101-ZH9-010 | PISTON (STD.)                           | 1      | 1200784        |
| 002 | 13102-ZH9-000 | PISTON (0.25)                           | (1)    | 1200783        |
| 002 | 13102-ZH9-010 | PISTON (0.25)                           | (1)    | 1200784        |
| 002 | 13103-ZH9-000 | PISTON (0.50)                           | (1)    | 1200783        |
| 002 | 13103-ZH9-010 | PISTON (0.50)                           | (1)    | 1200784        |
| 002 | 13104-ZH9-000 | PISTON (0.75)                           | (1)    | 1200783        |
| 002 | 13104-ZH9-010 | PISTON (0.75)                           | (1)    | 1200784        |
| 003 | 13111-ZE2-000 | PIN, PISTON                             | 1      |                |
| 004 | 13200-ZE2-010 | ROD ASSY., CONNECTING (STD.)            | 1      |                |
| 004 | 13200-ZE2-305 | ROD ASSY., CONNECTING (0.25 UNDER SIZE) | (1)    |                |
| 005 | 90001-ZE8-000 | BOLT, CONNECTING ROD                    | 2      |                |
| 006 | 90551-ZE1-000 | CLIP, PISTON PIN, 18MM                  | 2      |                |



Z5H0-E0900A



| <u>Ref</u> | <u>Partnumber</u> | <u>Description</u>         | <u>GX270U</u> | <u>Serial Numbers</u> |
|------------|-------------------|----------------------------|---------------|-----------------------|
| 001        | 12209-ZE8-003     | SEAL, VALVE STEM           | 1             |                       |
| 002        | 14100-ZK9-880     | CAMSHAFT ASSY.             | 1             |                       |
| 003        | 14410-ZE2-013     | ROD, PUSH                  | 2             |                       |
| 004        | 14431-ZE2-010     | ARM, VALVE ROCKER          | 2             |                       |
| 005        | 14441-ZE2-000     | LIFTER, VALVE              | 2             |                       |
| 006        | 14451-ZE1-013     | PIVOT, ROCKER ARM          | 2             |                       |
| 007        | 14568-ZE1-000     | SPRING, WEIGHT RETURN      | 1             |                       |
| 008        | 14711-ZE2-000     | VALVE, IN.                 | 1             |                       |
| 009        | 14721-ZE2-000     | VALVE, EX.                 | 1             |                       |
| 010        | 14751-ZE2-003     | SPRING, VALVE              | 2             |                       |
| 011        | 14771-ZE2-000     | RETAINER, IN. VALVE SPRING | 1             |                       |
| 012        | 14773-ZE2-000     | RETAINER, EX. VALVE SPRING | 1             |                       |
| 013        | 14775-ZE2-010     | SEAT, VALVE SPRING         | 1             |                       |
| <u>Ref</u> | <u>Partnumber</u> | <u>Description</u>         | <u>GX270U</u> | <u>Serial Numbers</u> |
| 014        | 14781-ZE2-000     | ROTATOR, VALVE             | 1             |                       |
| 015        | 14791-ZE2-010     | GUIDE, PUSH ROD            | 1             |                       |
| 016        | 90012-ZE0-010     | BOLT, PIVOT, 8MM           | 2             |                       |
| 017        | 90206-ZE1-000     | NUT, PIVOT ADJUSTING       | 2             |                       |
| 018        | 90413-ZK6-880     | WASHER, THRUST, 16.1MM     | 1             |                       |