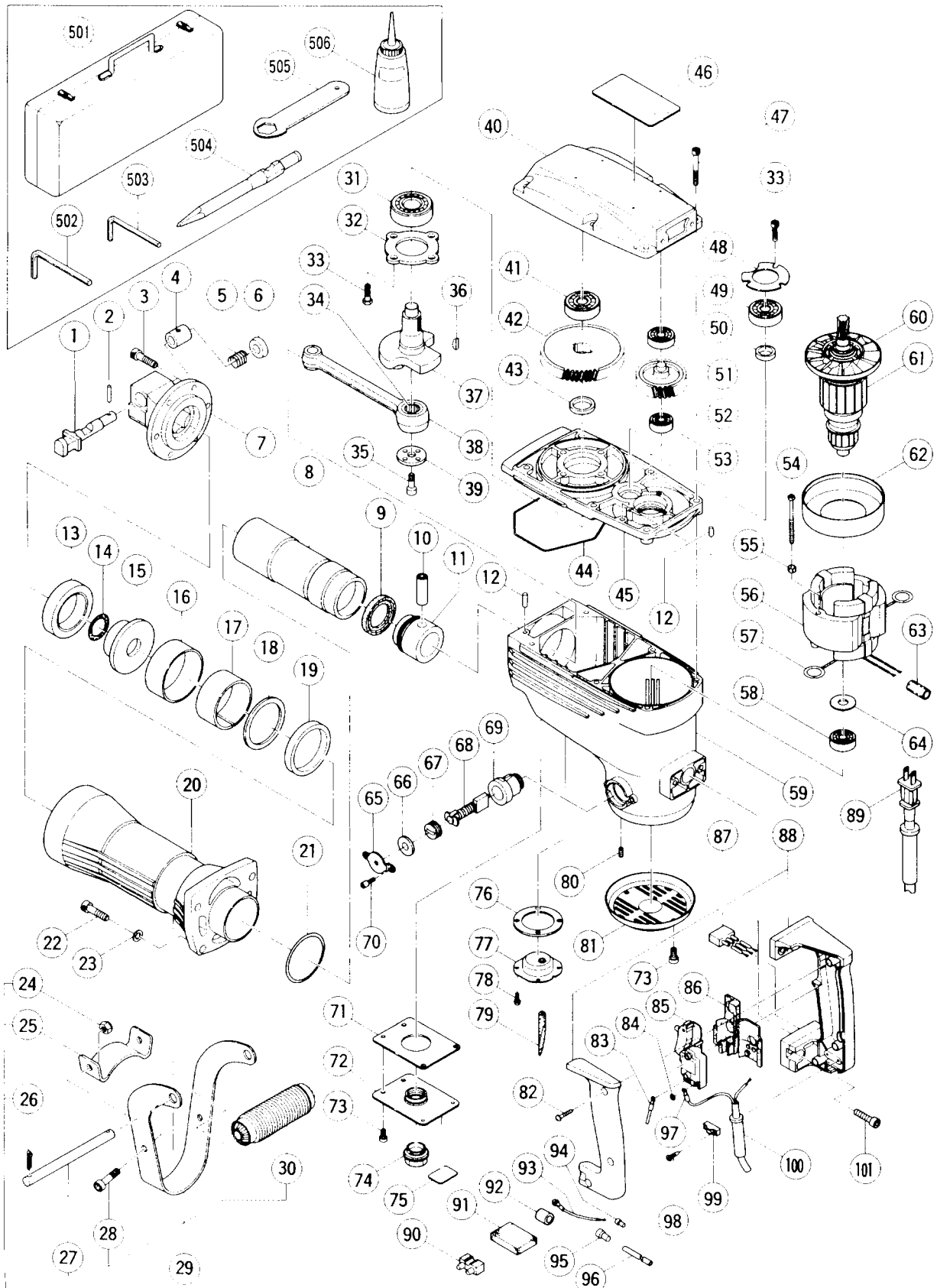


ELECTRIC TOOL PARTS LIST

■ HAMMER
Model H 65SC

1999 · 8 · 25
(E1)



PARTS

H 65SC

ITEM NO.	CODE NO.	DESCRIPTION	NO. USED	REMARKS
1	998-423	STOP LEVER	1	
2	998-426	NEEDLE ROLLER	1	
3	306-437	NYLOCK HEX. SOCKET HD. BOLT M8X30	6	
4	998-424	SPRING CASE	1	
5	956-975	LEVER SPRING	1	
6	998-425	DAMPER (B)	1	
7	957-152	FRONT COVER	1	
8	956-958	STRIKER	1	
9	944-927	L-RING	1	
10	944-928	PISTON PIN	1	
11	956-957	PISTON	1	
12	944-918	PIN D5X15.8	2	
13	956-965	DAMPER	1	
14	944-936	O-RING	1	
15	956-964	SHANK SLEEVE	1	
16	956-962	MOUTH COVER	1	
17	956-963	MOUTH	1	
18	956-961	MOUTH WASHER	1	
19	956-960	URETHANE RING	1	
20	306-164	CYLINDER CASE (BLACK)	1	
21	956-996	O-RING (1AS-60)	1	
22	306-163	NYLOCK HEX. SOCKET HD. BOLT M8X35	4	
23	949-433	BOLT WASHER M8 (10 PCS.)	4	
24	944-950	U-NUT (B) M8	2	
25	944-948	HANDLE STAY	1	
26	949-895	SPLIT PIN D4X25 (10 PCS.)	2	
27	944-952	HANDLE SHAFT	1	
28	949-655	HEX. SOCKET HD. BOLT M8X16 (10 PCS.)	2	
29	956-852	SIDE HANDLE ASS'Y	1	INCLUD.24-28,30
30	944-951	GRIP	1	
31	620-5DD	BALL BEARING 6205DDCMPS2L	1	
32	956-949	BEARING COVER	1	
33	990-079	SEAL LOCK HEX. SOCKET HD. BOLT M5X16	7	
34	944-921	NEEDLE BEARING (NTN 8E-NK 18/20 RDO)	1	
35	996-364	SEAL LOCK HEX. SOCKET HD. BOLT M8X16	1	
36	956-850	WOODRUFF KEY 4X16	2	
37	957-142	CRANK SHAFT	1	
38	998-434	CONNECTING ROD ASS'Y	1	INCLUD.34
39	956-955	CRANK WASHER	1	
40	318-207	GEAR COVER	1	
41	630-2VV	BALL BEARING 6302VVCMP2L	1	
42	944-916	FINAL GEAR	1	
43	944-915	DISTANCE RING (B)	1	
44	957-143	SEAL RING (A)	1	
45	998-412	INNER COVER	1	
46		NAME PLATE	1	
47	986-940	SEAL LOCK HEX. SOCKET HD. BOLT M6X45	6	
48	944-911	BEARING COVER (A)	1	
49	620-3DD	BALL BEARING 6203DDCMPS2L	1	
50	944-907	DISTANCE RING (A)	1	
51	620-1VV	BALL BEARING 6201VVCMP2L	1	

* : ALTERNATIVE PARTS

8 - 99

PARTS

H 65SC

ITEM NO.	CODE NO.	DESCRIPTION	NO. USED	REMARKS
52	956-948	COUNTER GEAR	1	
53	600-1VV	BALL BEARING 6001VVCMP2L	1	
54	960-251	HEX. HD. TAPPING SCREW D5X65	2	
55	956-764	SPECIAL WASHER	2	
* 56	340-259G	STATOR ASS'Y 115V	1	INCLUD.57.63 FOR USA
* 56	340-259E	STATOR ASS'Y 220V-230V	1	INCLUD.57.63
57	945-932	BRUSH TERMINAL	2	
58	620-1DD	BALL BEARING 6201DDCMP2L	1	
59	318-208	HOUSING ASS'Y	1	INCLUD.69.80
60	996-370	FAN	1	
* 61	360-286U	ARMATURE ASS'Y 115V	1	INCLUD.49,58,60,64 FOR USA
* 61	360-286E	ARMATURE ASS'Y 220V-230V	1	INCLUD.60
62	306-098	FAN GUIDE	1	
63		VINYL TUBE (I.D.7XT0.25X20)	1	
64	944-954	BEARING WASHER	1	
65	956-972	CAP COVER	2	
66	944-960	CAP RUBBER	2	
67	940-540	BRUSH CAP	2	
68	999-086	CARBON BRUSH (AUTO STOP TYPE) (1 PAIR)	2	
69	956-984	BRUSH HOLDER	2	
70	983-162	SEAL LOCK HEX. SOCKET HD. BOLT M4X12	4	
71	956-971	COVER SEAL	1	
72	956-970	COVER PLATE	1	
73	991-690	SEAL LOCK HEX. SOCKET HD. BOLT M5X12	6	
74	955-011	OIL GAUGE	1	
75		CAUTION PLATE	1	
76	956-969	HOLDER SEAL	1	
77	318-206	FELT HOLDER (C) ASS'Y	1	INCLUD.79
78	987-203	SEAL LOCK SCREW (W/SP. WASHER) M4X12	4	
79	998-534	OIL FELT	1	
80	938-477	HEX. SOCKET SET SCREW M5X8	2	
81	306-099	TAIL COVER	1	
82	307-028	TAPPING SCREW (W/FLANGE) D4X25 (BLACK)	3	
* 83	981-974	INTERNAL WIRE	1	EXCEPT USA
* 84	949-423	WASHER M4 (10 PCS.)	1	FOR SAF,HOL
85	995-398	SWITCH (A) (1P SCREW TYPE) W/LOCK	1	
86	312-408	SUPPORT (F)	1	
* 87	994-273	NOISE SUPPRESSOR	1	EXCEPT HKG,USA
88	971-168	HANDLE AND HANDLE COVER SET	1	
* 89	500-440Z	CORD	1	(CORD ARMOR D8.2) FOR HKG
* 89	500-454Z	CORD	1	(CORD ARMOR D10.7) FOR SAF
* 89	500-390Z	CORD	1	(CORD ARMOR D10.7) FOR HOL
* 89	500-434Z	CORD	1	(CORD ARMOR D8.2) FOR USA
* 89	500-457Z	CORD	1	(CORD ARMOR D8.2) FOR CHN
* 90	938-307	PILLAR TERMINAL	1	FOR USA
* 91	963-243	SUPPORT	1	FOR USA
92	306-167	TUBE (I.D.7XT1.1X15)	1	
* 93	305-798	INTERNAL WIRE	1	EXCEPT HKG,USA
* 94	959-140	CONNECTOR 50091 (10 PCS.)	1	EXCEPT HKG,USA
* 95	959-141	CONNECTOR 50092 (10 PCS.)	1	EXCEPT USA
* 96	996-438	VINYL TUBE (A) (I.D.7XT0.5X50)	2	

PARTS

H 65SC

ITEM NO.	CODE NO.	DESCRIPTION	NO. USED	REMARKS
* 96	996-438	VINYL TUBE (A) (I.D.7XT0.5X50)	3	FOR USA
* 97	980-063	TERMINAL	1	
* 97	992-810	TERMINAL	1	FOR HOL
* 97	930-804	TERMINAL M4.0 (10 PCS.)	1	FOR USA
98	984-750	TAPPING SCREW (W/FLANGE) D4X16	2	
99	960-266	CORD CLIP	1	
* 100	940-778	CORD ARMOR D10.7	1	
* 100	958-049	CORD ARMOR D8.2	1	
101	987-707	SEAL LOCK HEX. SOCKET HD. BOLT M6X25	4	

STANDARD ACCESSORIES

ITEM NO.	CODE NO.	DESCRIPTION	NO. USED	REMARKS
501	314-170	CASE (STEEL)	1	
502	872-422	HEX. BAR WRENCH 6MM	1	
503	944-459	HEX. BAR WRENCH 5MM	1	
504	944-961	BULL POINT 410MM	1	
505	971-109	WRENCH 23MM	1	
506	931-848	LUBRICANT OILER (120CC)	1	

OPTIONAL ACCESSORIES

ITEM NO.	CODE NO.	DESCRIPTION	NO. USED	REMARKS
601	944-962	COLD CHISEL 410MM (HEX. SHANK TYPE)	1	
602	944-964	CUTTER W75X45L (ROUND SHANK TYPE)	1	
603	944-966	RAMMER SHANK (HAMMER)	1	
604	944-965	RAMMER 200MM	1	
605	957-154	SCOOP 380L (ROUND SHANK TYPE)	1	

* : ALTERNATIVE PARTS