

Illustration - Type E

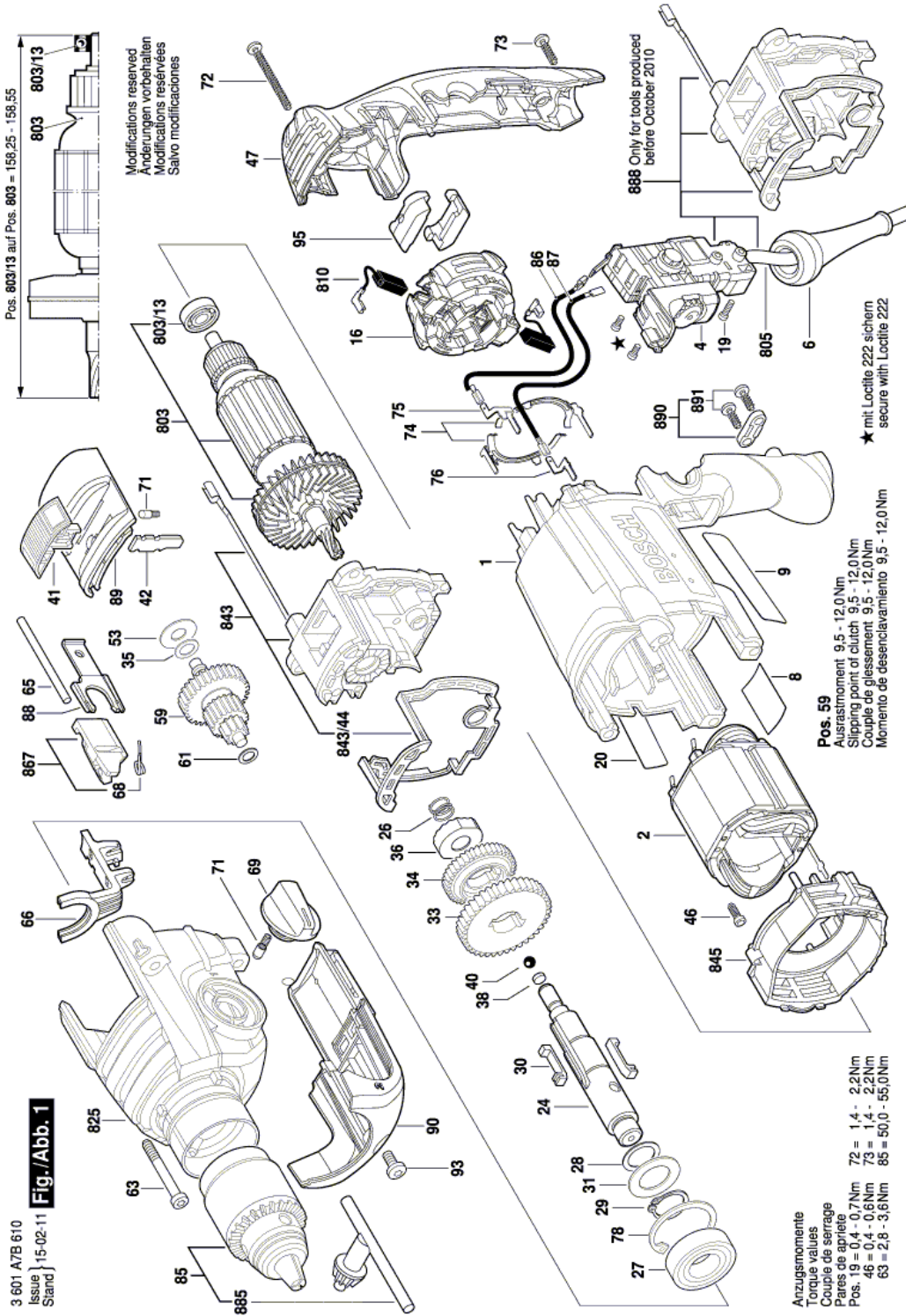
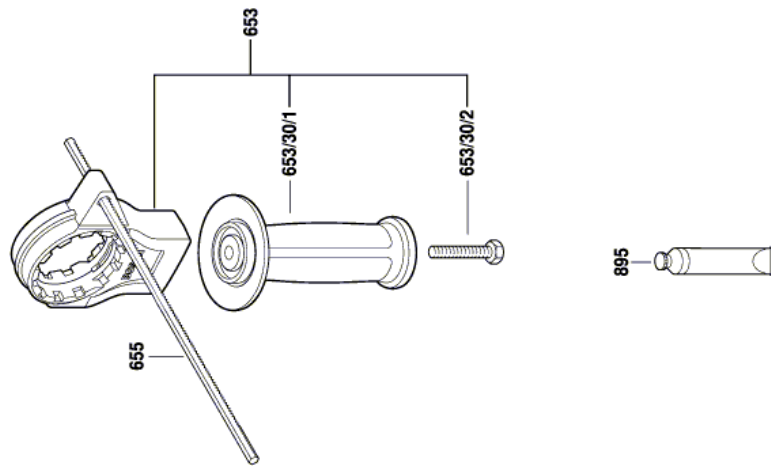


Illustration - Type E

3 601 A7B 610
Issue } 14-06-06
Stand }

Fig./Abb. 2



Modifications reserved
Änderungen vorbehalten
Modificacions reservées
Salvo modificaciones

Percussion Drill - 3 601 A7B 610 - HD 19-2

www.powertools-aftersaleservice.com



BOSCH

Item	Part Number	Description	Illustration	Price	Quantity	Price Group
1	1 618 B00 A05	Motor Housing	1	-,-	1	29
2	2 604 220 732	Field 110-120V	1	-,-	1	31
4	2 607 200 657	On-Off Switch	1	-,-	1	32
6	2 600 707 074	Grommet	1	-,-	1	14
8	2 601 115 592	Marking Plate	1	-,-	1	13
9	2 601 115 690	Nameplate HD 19-2	1	-,-	1	13
16	2 604 337 121	Brush Plate	1	-,-	1	-
19	2 603 490 017	Torx Oval-Head Screw 3x10	1	-,-	1	10
20	2 601 115 550	Reference Plate	1	-,-	1	13
24	2 606 135 138	Drilling Spindle	1	-,-	1	27
26	2 604 616 006	Compression Spring	1	-,-	1	11
27	1 900 905 163	groove ball bearing 17x35x10	1	-,-	1	23
28	2 600 100 695	Shim 0,5 MM	1	-,-	1	11
29	2 916 650 008	Spring retaining ring DIN 471 17x1 MM	1	-,-	1	11
30	2 602 300 032	Flat Key	1	-,-	2	15
31	2 600 101 671	Retaining Washer	1	-,-	1	11
33	2 606 317 084	Cylindrical Gear	1	-,-	1	25
34	2 606 317 098	Cylindrical Gear	1	-,-	1	24
35	2 600 101 047	Shim 0,3 MM	1	-,-	1	11
36	2 600 190 105	Catch Disk	1	-,-	1	15
38	2 600 000 021	Shim washer 1,0 MM	1	-,-	1	11
38	2 600 000 030	Shim washer 1,35 MM	1	-,-	1	11
38	2 600 000 031	Shim washer 1,7 MM	1	-,-	1	11
40	1 903 230 009	Ball DIN 5401-5 G28	1	-,-	1	10
40	1 903 230 010	Ball DIN 5401-5,5MM-III-ST	1	-,-	1	10
40	2 603 230 007	Ball 5,25 MM	1	-,-	1	10
41	1 618 B00 800	Slide Switch	1	-,-	1	10
42	2 601 074 008	Pressure Plate	1	-,-	1	11
46	1 613 435 007	Thread-forming tap. Screw DIN 7981-ST3,5x9,5-F	1	-,-	4	10
47	2 605 132 067	Housing Cover DARK BLUE	1	-,-	1	23
53	2 600 550 008	Disc Spring	1	-,-	1	11
59	2 606 309 933	Transmission	1	-,-	1	34
61	2 600 100 607	Shim 0,3 MM	1	-,-	1	11

Item	Part Number	Description	Illustration	Price	Quantity	Price Group
63	2 603 435 085	Headless Screw	1	-,-	4	10
65	2 603 105 200	Straight Pin	1	-,-	1	11
66	1 618 B00 807	Adjusting Slide	1	-,-	1	11
68	2 604 616 014	Compression Spring	1	-,-	1	10
69	2 602 026 157	Rotary Knob BLACK	1	-,-	1	12
71	2 600 590 006	Ratchet Cap	1	-,-	2	11
72	2 603 490 027	Torx Oval-Head Screw 4x40	1	-,-	1	10
73	2 603 490 022	Torx Oval-Head Screw 4x16	1	-,-	2	10
74	2 601 324 062	Switch Contact	1	-,-	2	11
75	2 601 099 259	Contact	1	-,-	2	11
76	2 601 099 260	Contact	1	-,-	1	10
78	2 916 660 014	Spring retaining ring DIN 472 35x1,5 MM	1	-,-	1	13
85	2 608 571 060	Key Chuck	1	-,-	1	39
86	2 604 448 331	Connecting Cable	1	-,-	1	11
87	2 604 448 330	Connecting Cable 72 mm	1	-,-	1	12
88	1 618 B00 808	Holding Plate	1	-,-	1	12
89	1 618 B00 A06	Bulb Shield	1	-,-	1	17
90	2 605 510 269	Bulb Shield	1	-,-	1	15
93	2 914 491 411	Thread-forming tap. Screw	1	-,-	1	10
95	2 601 329 118	Clip BLACK	1	-,-	2	10
653	2 602 025 175	Auxiliary Handle BLACK	2	-,-	1	27
653/30/1	2 602 025 180	Handle BLACK	2	-,-	1	17
653/30/2	2 911 061 252	Hex Screw M8x45	2	-,-	1	11
655	1 613 001 009	Depth-Gauge SW 6x210 MM	2	-,-	1	15
803	2 604 011 916	Armature 120V	1	-,-	1	41
803/13	2 600 905 103	groove ball bearing 7x19x6	1	-,-	1	18
805	2 604 460 911	Power supply cord USA/CND 4,15 3x0,82 SJ 18/3	1	-,-	1	33
810	1 617 000 525	Carbon-Brush Set	1	-,-	1	23
825	2 605 806 884	Gear Housing	1	-,-	1	36
843	2 605 807 143	Bearing Bracket	1	-,-	1	35
843/44	2 601 015 099	Seal	1	-,-	1	18
845	2 600 148 012	Air Guide Plate	1	-,-	1	20
867	2 602 033 900	Link Guide BLACK	1	-,-	1	17
885	2 607 950 007	Chuck Wrench SG2	1	-,-	1	18
888	2 607 030 903	Bearing Bracket	1	-,-	1	40
890	2 607 001 305	Fastening parts kit	1	-,-	1	14
891	2 603 410 046	Cross Recessed-Head Screw M3x5	1	-,-	1	12
895	3 605 430 003	Grease Tube Albida	2	-,-	1	32