



BOSCH

Cordl Perc Screwdr

HDB 180 | 3 601 JA5 310

Table of Content

Spare parts list.....	2
Illustration - Type.....	3

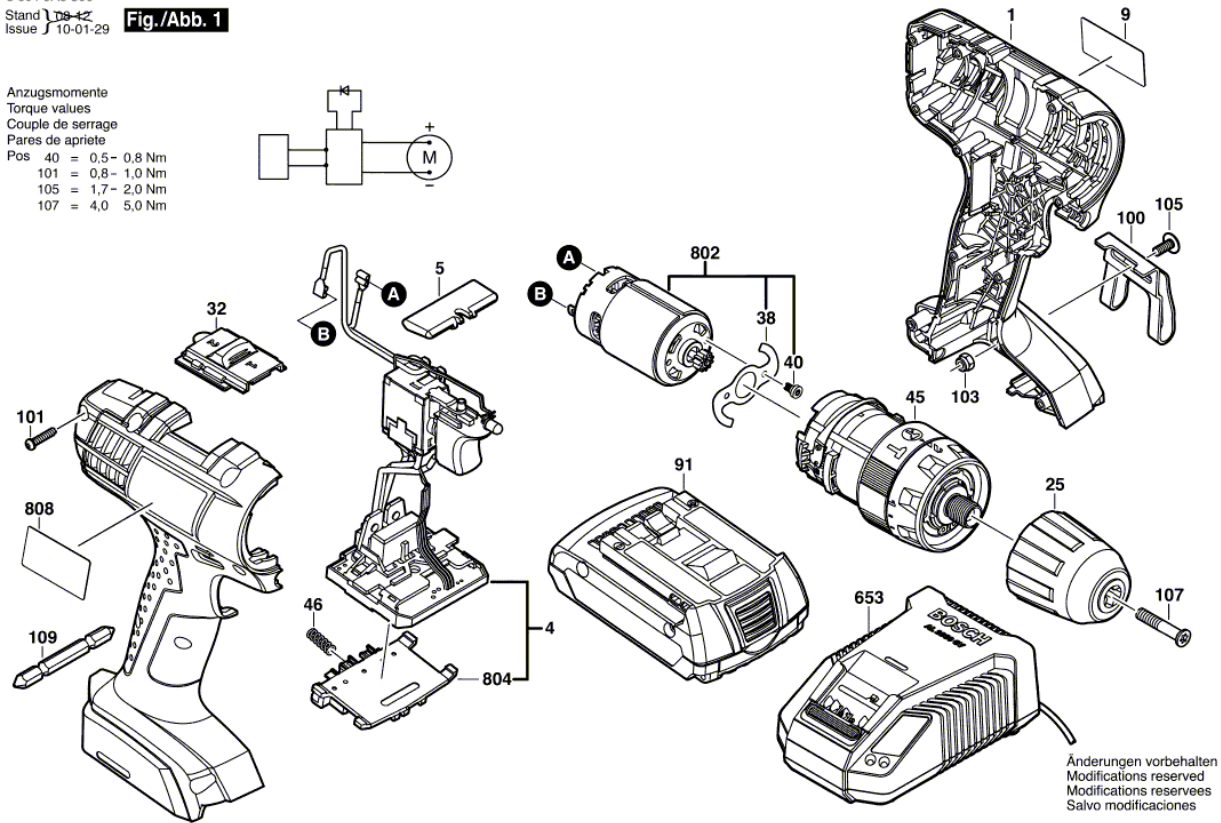
Spare parts list				
Item	Part Number	Description		Illustration
1	2 609 100 810	Housing	BLUE	1
4	1 607 233 299	Electronics Module		1
5	2 609 100 863	Lever		1
9	2 609 132 683	Manufacturer's nameplate	COMPACT 18V	1
25	2 609 110 986	Keyless Chuck		1
32	2 609 199 251	Slide Switch		1
38	2 609 110 801	Tab Washer		1
40	2 609 110 802	Screw		1
45	2 609 199 324	Gear Box		1
46	1 609 280 477	Compression Spring		1
91	1 607 A35 0BM	Battery Pack	BAT612 18V 2.0Ah Li SCM	1
100	2 609 110 956	Clip		1
101	2 609 110 201	Torx Flat-Head Screw	3x16	1
103	2 609 110 835	Nut		1
105	2 609 110 834	Screw		1
107	2 609 110 635	Pan head screw	M 6x30	1
109	2 609 110 342	Screwdriver Blade		1
653	2 607 225 927	Charger	USA BC 1880 CV 13,3-18V/120V	1
802	2 609 199 339	Motor Spare Parts Set		1
804	1 609 280 478	Contact retainer		1
808	2 609 132 713	Nameplate		1

Illustration - Type - E

3 601 JA5 300
 Stand 10-01-29
 Issue 10-01-29

Fig./Abb. 1

Anzugsmomente
 Torque values
 Couple de serrage
 Pares de apriete
 Pos 40 = 0,5- 0,8 Nm
 101 = 0,8- 1,0 Nm
 105 = 1,7- 2,0 Nm
 107 = 4,0 5,0 Nm



Änderungen vorbehalten
 Modifications reserved
 Modifications reserves
 Salvo modificaciones