

Cordl Perc Screwdr - 3 601 H67 110 - HDS181

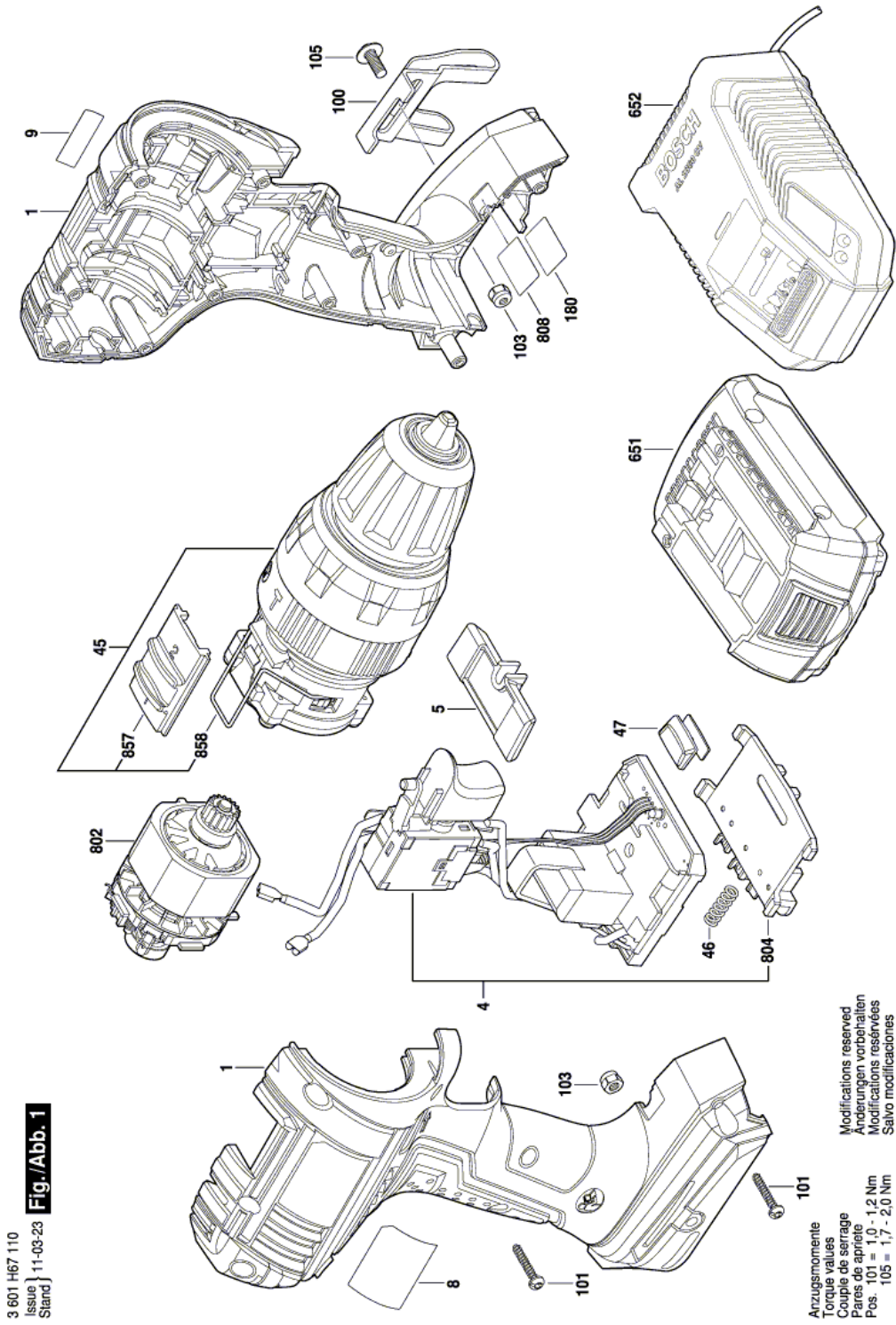
www.powertools-aftersaleservice.com



BOSCH

Item	Part Number	Description	Illustration	Price	Quantity	Price Group
1	2 609 100 856	Housing	1	-,-	1	32
4	1 607 233 444	Electronics Module	1	-,-	1	44
5	2 609 100 859	Adjusting lever	1	-,-	1	11
8	2 609 133 092	Warning Label	1	-,-	1	13
9	2 609 133 091	Manufacturer's nameplate Lithium-Ion 18V	1	-,-	1	13
45	2 609 199 295	Gear Box	1	-,-	1	42
46	1 609 280 477	Compression Spring	1	-,-	1	11
47	2 609 100 858	Lens	1	-,-	1	11
100	2 609 110 956	Clip	1	-,-	1	20
101	2 609 110 353	Torx Oval-Head Screw	1	-,-	10	10
103	2 609 110 835	Nut	1	-,-	2	11
105	2 609 110 834	Screw	1	-,-	1	11
180	2 609 133 093	Reference Plate	1	-,-	1	13
651	2 607 336 875	Slide-In Accu Package 18V 2,0 Ah LI	1	-,-	1	49
651	2 607 336 819	Battery Pack USA BAT620 18V 4,0Ah	1	-,-	1	51
652	2 607 225 927	Charger USA BC 1880 CV 13,3-18V/120V	1	-,-	1	47
802	2 609 199 359	DC motor 18V	1	-,-	1	41
804	1 609 280 478	Contact retainer	1	-,-	1	26
808	2 609 133 095	Nameplate	1	-,-	1	13
857	2 609 100 897	Switch Slide	1	-,-	1	11
858	2 609 111 078	Switch Spring	1	-,-	1	10

Illustration - Type E



Information subject to change without further notice.