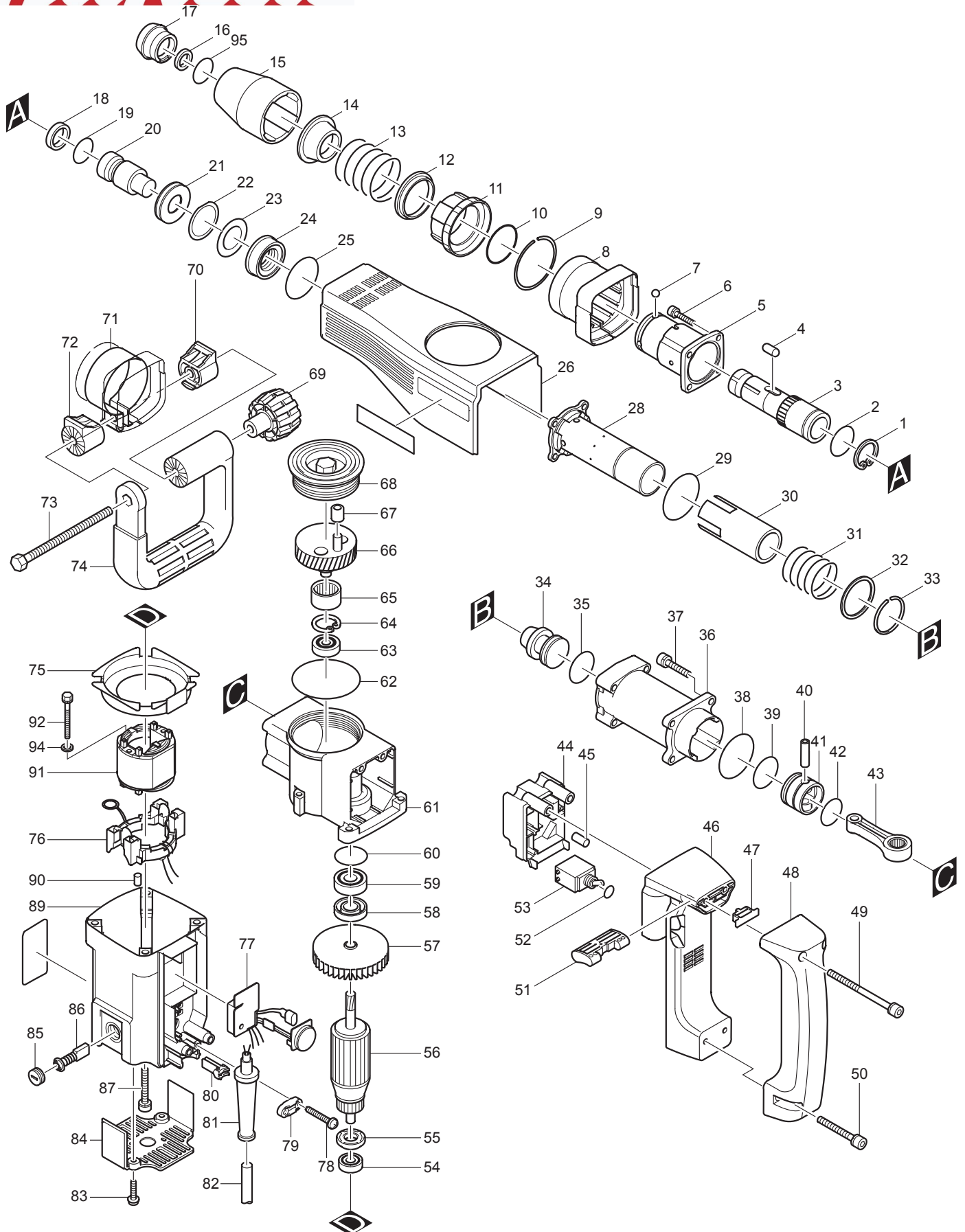




03 - 2010
HM1100C
DEMOLITION HAMMER



Item No.	Type	Sub Part No.	Description (*see Service changes on the bottom)	Qty	Unit
1		962154-0	RETAINING RING R-36	1	PC.
2		213479-8	O RING 33	1	PC.
3		322982-9	TOOL HOLDER	1	PC.
4		322908-1	ROLLER 8	2	PC.
5		322882-3	TOOL HOLDER SUPPORT	1	PC.
6		922351-0	HEX. SOCKET HEAD BOLT M6X30	4	PC.
7		216011-7	STEEL BALL 5.6	4	PC.
8		416086-8	SIDE HANDLE SUPPORT	1	PC.
9		231972-0	RING SPRING 52	1	PC.
10		213554-0	O RING 44	1	PC.
11		416087-6	CHANGE RING (Type1 Black --> Type2 Dark Orange)	1	PC.
12		331489-4	STEEL BALL GUIDE	1	PC.
13		233167-1	COMPRESSION SPRING 44	1	PC.
14		331504-4	ROLLER GUIDE	1	PC.
15		416085-0	TOOL HOLDER COVER	1	PC.
16		213270-4	X RING 18	1	PC.
17		286246-4	TOOL HOLDER CAP	1	PC.
18		213269-9	X RING 19	1	PC.
19		213311-6	O RING 19	1	PC.
20		323845-2	* IMPACT BOLT	1	PC.
21		331487-8	IMPACT BOLT GUIDE	1	PC.
22		421570-0	RING 36	1	PC.
23		213391-2	O RING 25	1	PC.
24		331488-6	SLEEVE GUIDE	1	PC.
25		213554-0	O RING 44	1	PC.
26		415698-4	HOUSING COVER	1	PC.
28		322757-6	* CYLINDER LINER 34	1	PC.
29		213614-8	O RING 50	1	PC.
30		331486-0	* SLEEVE 39	1	PC.
31		233190-6	* COMPRESSION SPRING 39	1	PC.
32		267156-4	* FLAT WASHER 39	1	PC.
33		231971-2	* RING SPRING 36	1	PC.
34		322907-3	STRIKER	1	PC.
35		213429-3	O RING 27	1	PC.
36		316672-4	BARREL	1	PC.
37	1	922341-3	H.S.H.BOLT M6X25	4	PC.
	2	922351-0	H.S.H.BOLT M6X30	4	PC.
38		213606-7	O RING 48	1	PC.
39		213429-3	O RING 27	1	PC.
40	1	257676-6	SLEEVE 6	1	PC.
	2	256165-8	PIN 8	1	PC.
41		415773-6	PISTON	1	PC.
42		213415-4	O RING 28	1	PC.
43		415689-5	ROD	1	PC.
44		415699-2	SWITCH BOX	1	PC.
45		263002-9	RUBBER PIN 4	2	PC.
46		417447-5	* CONTROLLER COVER (OLD# 415696-8 - N/L/A)	1	PC.
47		415692-6	STOPPER	1	PC.
48		421507-7	HANDLE	1	PC.
49		266135-9	HEX. SOCKET HEAD BOLT M6X90	2	PC.
50		922371-4	HEX. SOCKET HEAD BOLT M6X50	2	PC.
51		415691-8	SWITCH LEVER	1	PC.
52		213107-5	O RING 12	1	PC.
53		651481-7	SWITCH STE215K	1	PC.
54		211033-2	BALL BEARING 608LB	1	PC.
55		681650-6	* INSULATION WASHER (OLD# 681637-8 - N/L/A)	1	PC.

Item No.	Type	Sub	Part No.	Description (*see Service changes on the bottom)	Qty	Unit
56			516286-1	* ARMATURE ASS'Y 115V	1	PC.
		INC.		Item No. 54.55.57		
57			241876-8	FAN 76	1	PC.
58			213160-1	OIL SEAL 14	1	PC.
59	1		211143-5	BALL BEARING 6201DDW (Nylon)	1	PC.
	2		211129-9	BALL BEARING 6201DDW (Sheet steel)	1	PC.
60			213459-4	* O RING 32 (OLD)	1	PC.
61			134875-6	* CRANK HOUSING ASS'Y	1	PC.
		INC.		Item No. 63-65		
62			213707-1	O RING 65	1	PC.
63			210054-1	BALL BEARING 6000LLU	1	PC.
64			962105-3	RETAINING RING R-26	1	PC.
65			212259-9	NEEDLE BEARING 2116	1	PC.
66			153249-2	CRANK SHAFT COMPLETE	1	PC.
67			216116-3	INNER SLEEVE 812	1	PC.
68			415690-0	CRANK CAP	1	PC.
69			252640-2	WING NUT M8	1	PC.
70	1		416010-1	* HANDLE BASE 60 - N/L/A	1	PC.
	2		416396-3	* HANDLE BASE 60	1	PC.
	3		417002-3	* SIDE HANDLE CAM	1	PC.
71	1		344379-2	* HANDLE SPRING 60 - N/L/A	1	PC.
	2		344559-0	* HANDLE SPRING 60 - N/L/A	1	PC.
	3		152620-7	* SIDE HANDLE BASE 60 COMPLETE	1	PC.
72	1		416010-1	* HANDLE BASE 60 - N/L/A	1	PC.
	2		416396-3	* HANDLE BASE 60	1	PC.
	3		417002-3	* SIDE HANDLE CAM	1	PC.
73			265439-6	HEX. BOLT M8X150	1	PC.
74	1		416009-6	* SIDE HANDLE - N/L/A	1	PC.
	2		417003-1	* SIDE HANDLE	1	PC.
75			415693-4	BAFFLE PLATE	1	PC.
76			632678-7	SUPPORT COMPLETE	1	PC.
77			631203-1	CONTROLLER 100/115V	1	PC.
78			265995-6	TAPPING SCREW 4X18	2	PC.
79			687052-4	STRAIN RELIEF	1	PC.
80			415695-0	FIX ROD	1	PC.
81	1		682505-8	* CORD GUARD 10-90	1	PC.
	2		682560-0	* CORD GUARD 10	1	PC.
82			664276-9	CORD W/PLUG 2P-16-5.0M, SJ	1	PC.
83			266021-4	TAPPING SCREW 5X20	2	PC.
84			415700-3	REAR COVER	1	PC.
85			643750-0	BRUSH HOLDER CAP	2	PC.
86	1		191961-6	A.C. CARBON BRUSH CB-304 2PC/SET (W/O ORIGIN)	1	SET
	2		194997-4	A.C. CARBON BRUSH CB-304 2PC/SET (W/ ORIGIN)	1	SET
87			922364-1	HEX. SOCKET HEAD BOLT M6X40	4	PC.
89	1		159919-1	* MOTOR HOUSING COMPLETE	1	PC.
		INC.	643754-2	BRUSH HOLDER	2	PC.
		INC.		Item No. 90		
	2		152662-1	* MOTOR HOUSING COMPLETE	1	PC.
		INC.	643754-2	BRUSH HOLDER	2	PC.
		INC.		Item No. 90		
90			263014-2	RUBBER PIN 4	1	PC.
91			634281-0	FIELD 115V	1	PC.
92			265345-5	+ HEX. BOLT M5X60	2	PC.
94			941102-2	FLAT WASHER 5	2	PC.
95			213385-7	O RING 24	1	PC.
100			654509-0	CLOSED END CONNECTOR 2-SD	1	PC.

Item No.	Type	Sub	Part No.	Description (*see Service changes on the bottom)	Qty	Unit
101			654020-2	GARTER SPRING (F/FIELD)	2	PC.
102			654501-6	SOLDERLESS CONNECTOR P-1.25 (F/FIELD)	2	PC.
ACCESSORIES				- See catalogue or visit www.makita.ca for optional accessories -		
A01			150676-4	PLASTIC CARRYING CASE	1	PC.
	1	INC.	416401-6	LATCH	2	PC.
	2	INC.	163467-4	LATCH	2	PC.
A02	1		181573-3	GREASE VESSEL 93G	1	PC.
	2		194683-7	GREASE VESSEL SET	1	PC.
A03			134909-5	* SIDE HANDLE ASS'Y (OLD# 134793-8 - N/L/A)	1	PC.
		INC.		Item No. 69-74		