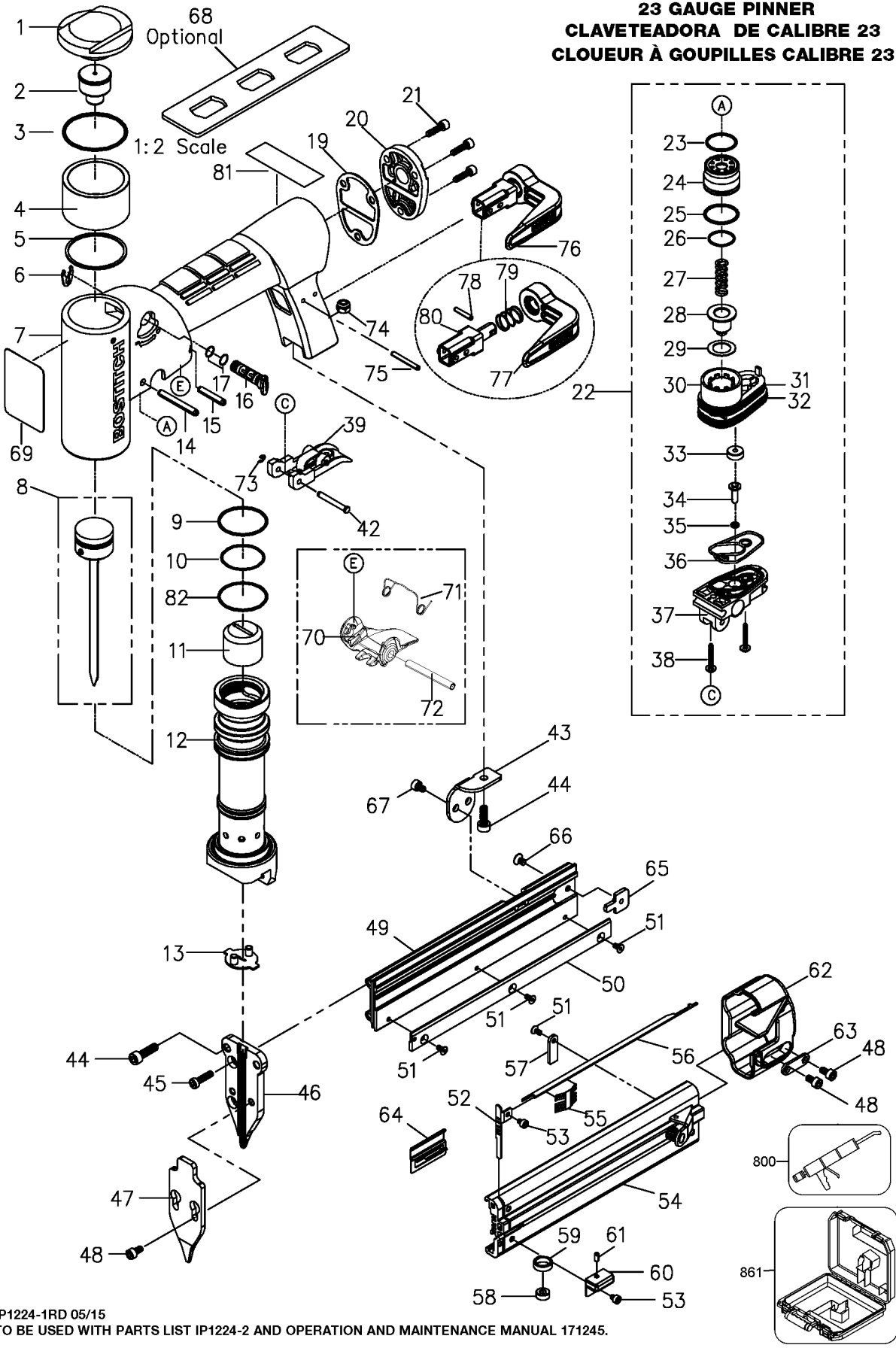


HP118K

23 GAUGE PINNER CLAVETEADORA DE CALIBRE 23 CLOUEUR À GOUPILES CALIBRE 23



IP1224-1RD 05/15
TO BE USED WITH PARTS LIST IP1224-2 AND OPERATION AND MAINTENANCE MANUAL 171245.

Parts List for HP118K Type 16070 000 and Higher

Item Number	Part Number	Description	Qty Required
1	174288	CAP	1
2	P2860000600	BUMPER-PISTON STOP	1
3	100353	O-RING-1.301X.070	1
4	174329	SPACER-CAP	1
5	174328	GASKET	1
6	174290	RETAINER-CLIP	1
7	G4227800	FRAME UNIT	1
8	G0313700	DRIVER UNIT	1
9	174309	O-RING-1.049X.103	1
10	174310	O-RING-.989X.070	1
11	P3240000200	BUMPER	1
12	P3240000500	CYLINDER UNIT	1
13	P3240000862	JOINT GUIDE UNIT	1
14	174305	PIN-COILED-M4X30	1
15	174304	PIN-COILED-M4X18	1
16	174287	VALVE-ENERGY CONTROL	1
17	174311	O-RING-.217X.059	2
19	174295	GASKET-END CAP	1
20	174296	CAP-END	1
21	174306	SCREW-SHCS-M4X0.7X14	3
22	TVA13	ASSEMBLY-TRIGGER VAL	1
23	86459	O-RING	1
24	174278	HEAD VALVE	1
25	174312	O-RING-.700X.072	1
26	102163	O-RING-.591X.059	1
27	174280	SPRING-COMPRESSION	1
28	174279	SEAL-EXHAUST	1

Parts List for HP118K Type 16070 000 and Higher

Item Number	Part Number	Description	Qty Required
29	174281	WASHER-SPECIAL	1
30	174277	HOUSING-HEAD VALVE	1
31	108467	O-RING-1.237X.103	1
32	100817	O-RING-1.299X.103	1
33	174282	SEAL-TRIGGER STEM	1
34	174283	STEM	1
35	174313	O-RING-.042X.050	1
36	174284	SEAL-VALVE	1
37	174276	HOUSING-TRIGGER	1
38	174285	SCREW-M3X16	1
39	174269	ASSEMBLY-TRIGGER	1
42	174268	PIN-SPECIAL	1
43	P2866300565	TAIL HANGER	1
44	1A104121	HEX SOC.HD.BOLT	2
45	S0110416300	HEX.SOC.HD.BOLT	1
46	P2865200262	DRIVER GUIDE	1
47	P1245201162	DRIVER GUIDE COVER A	1
48	S0110408100	HEX.SOC.HD.BOLT	4
49	P1240000163	MAGAZINE A	1
50	P1245200362	NAIL SLIDE GUIDE	1
51	S0310306100	FLAT HD.SOC.SCREW	4
52	P1245200662	STOP PLATE A	1
53	S0110304100	HEX.SOC.HD.BOLT	2
54	P2860000700	MAGAZINE B UNIT	1
55	P1240000800	SPRING	1
56	P1245200562	HOLDING BAR	1
57	P1245200762	STOP PLATE B	1

Parts List for HP118K Type 16070 000 and Higher

Item Number	Part Number	Description	Qty Required
58	P1245201762	BUSHING	1
59	P1240001600	SPRING	1
60	P1246301465	SPRING BRACKET	1
61	182273	SPRING PIN 3X6MM	1
62	P2860000100	END COVER	1
63	P0595203662	END COVER PLATE	1
64	P1246100457	PUSHER	1
65	P0645201462	REAR PLATE	1
66	S0310406100	FLAT HD.SOC.SCREW	1
67	S0110406100	HEX.SOC.HD.BOLT	1
68	174322	WRENCH	1
69	159831	LABEL-WARNING	1
70	9R209571	SECOND TRIGGER	1
71	9R199781	TORSION SPRING	1
72	9R209569	COILED SPRING PIN	1
73	174298	RETAINER-E-RING	1
74	MHE4070-100	ELASTIC STOP NUT-M4	1
75	174070	PIN-SPRING-M3X22MM	1
76	188570	UTILITY HOOK ASSEM.	1
77	185927	BELT HOOK	1
78	181920	PIN SPRING	1
79	100387	SPRING-COMPRESSION	1
80	185936	BELT HOOK MOUNT	1
81	186246	WARNING LABEL	1
82	851349	O-RING-1.239X.070	1
800	100679	LUBE (1LB.CAN)	1
800	100653	LUBE (2CC)	1

Parts List for HP118K Type 16070 000 and Higher

Item Number	Part Number	Description	Qty Required
861	B286102001	HP118K CASE	1