



# Operating Instructions and Parts Manual 14ga. x 52-inch Hydraulic Shear

Model HS-1452

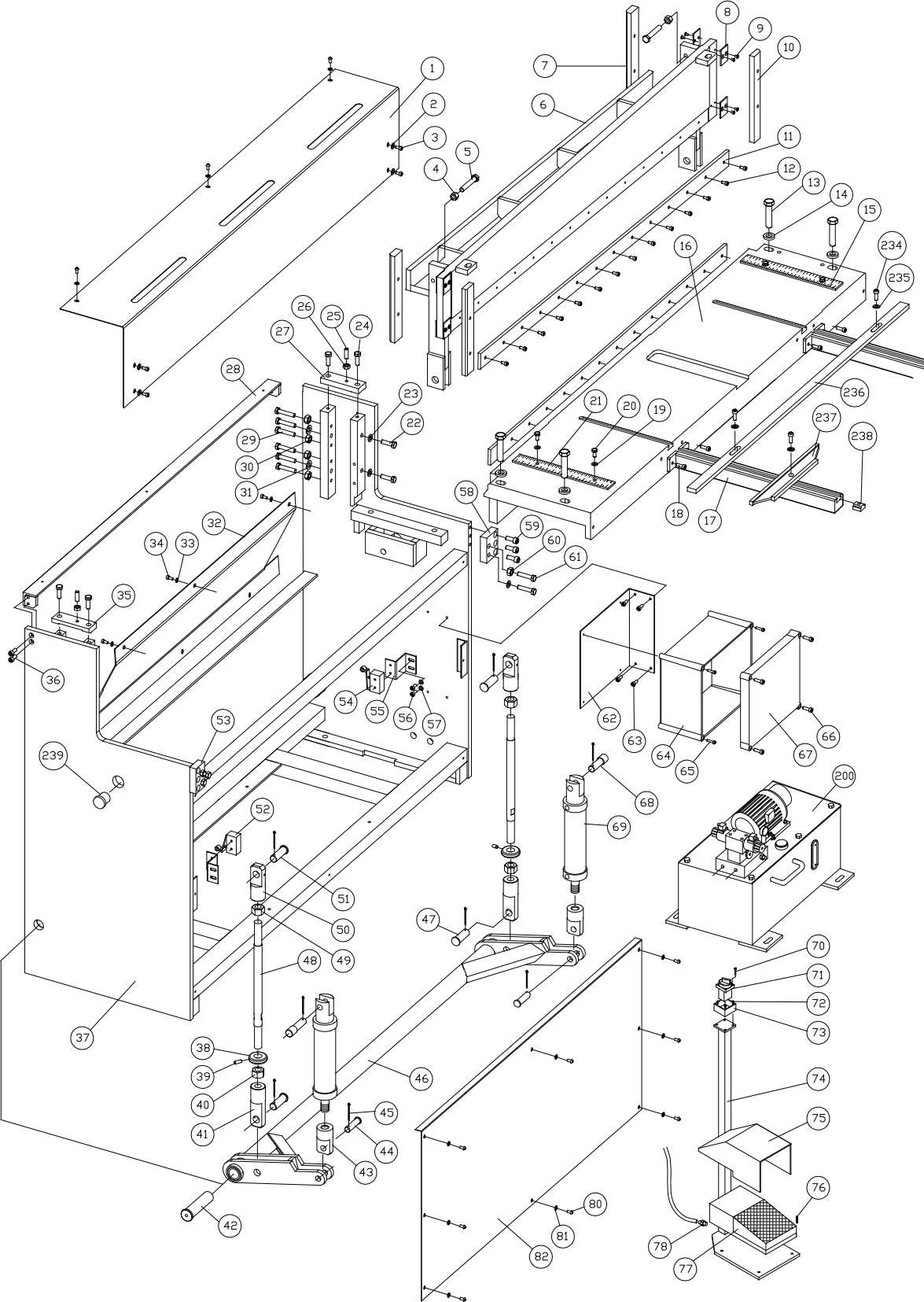


## JET

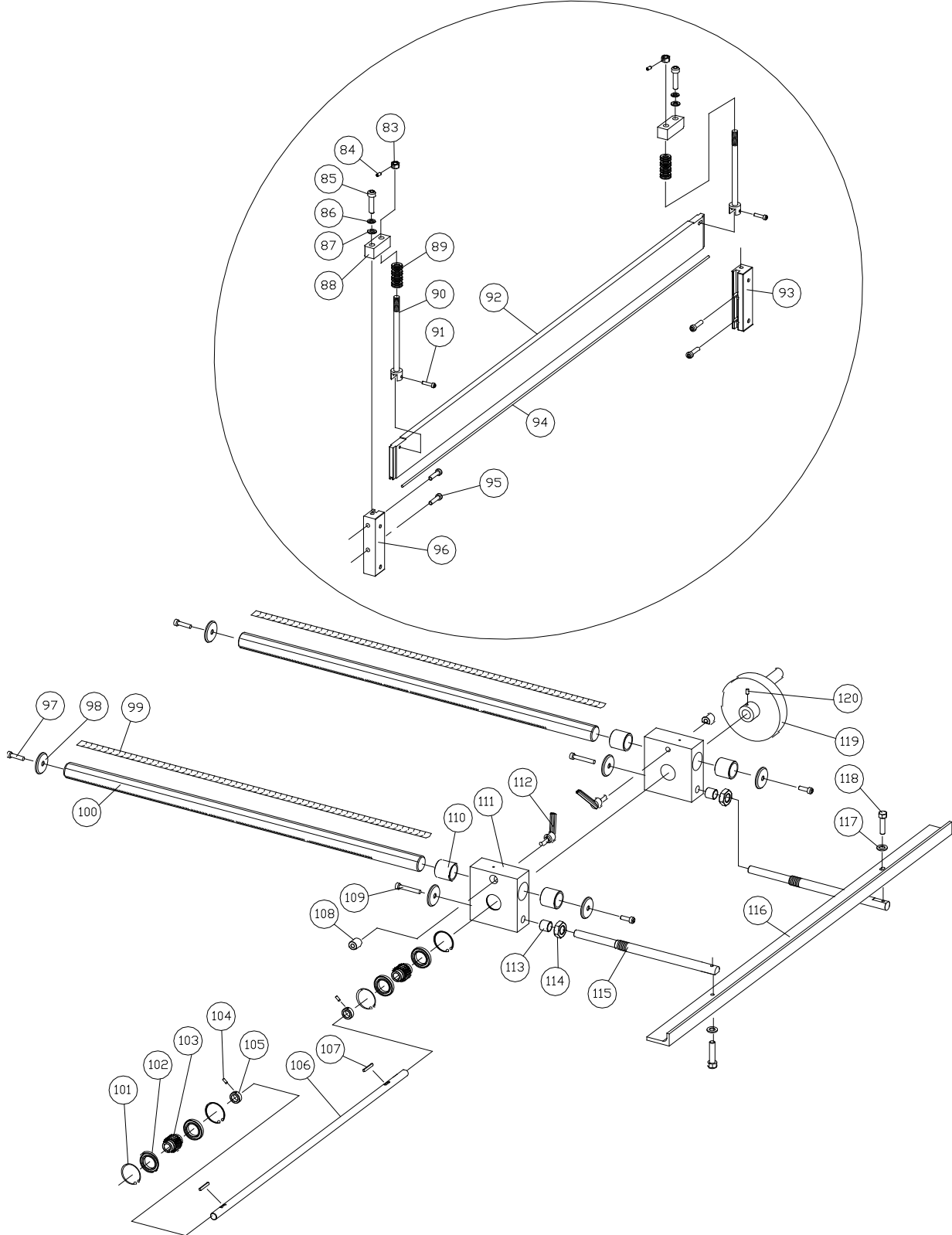
427 New Sanford Road  
LaVergne, Tennessee 37086  
Ph.: 800-274-6848  
[www.jettools.com](http://www.jettools.com)

**Part No. M-756205**  
Revision B1 06/2014  
Copyright © 2014 JET

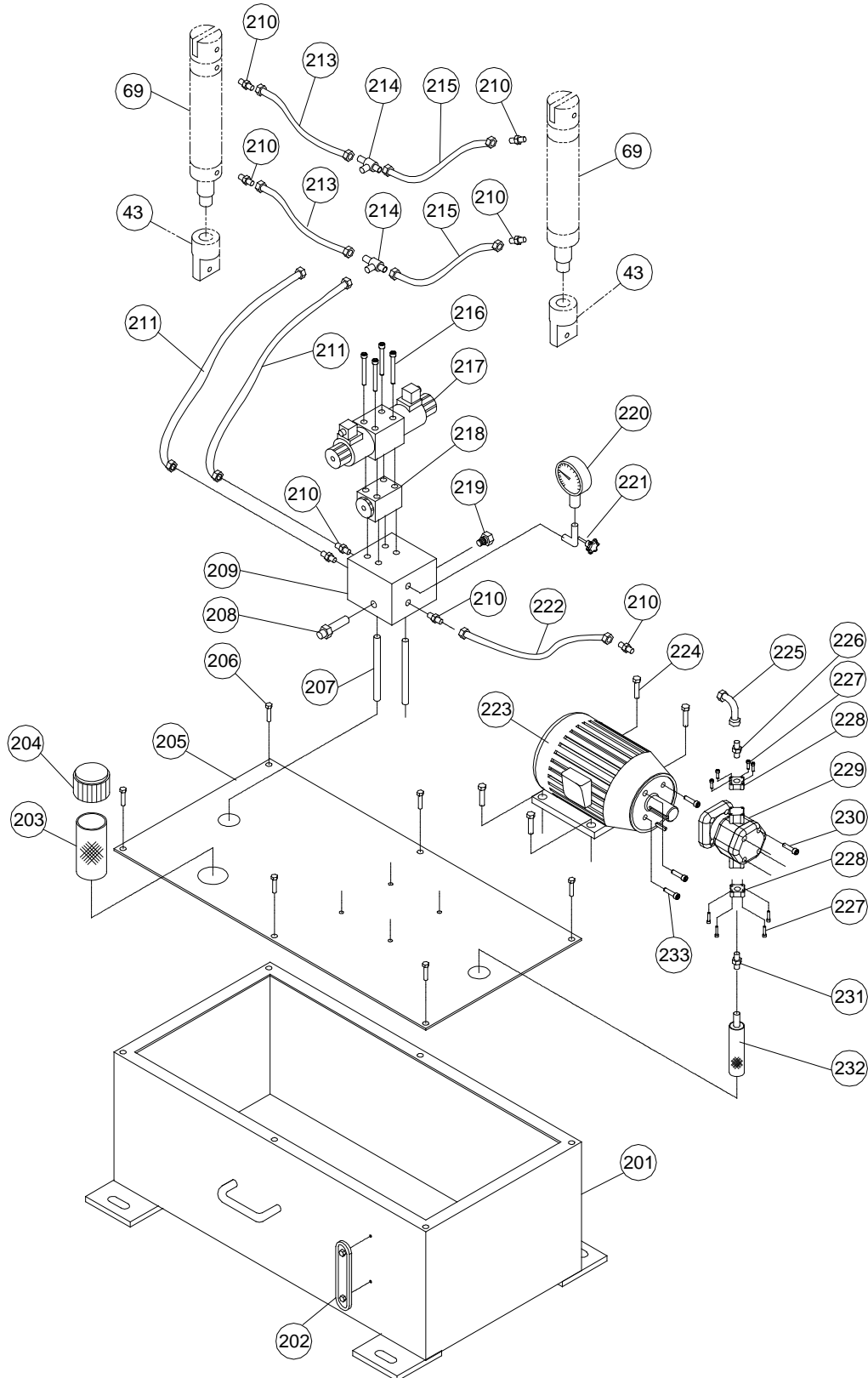
11.1.1 HS-1452 Hydraulic Shear – Exploded View



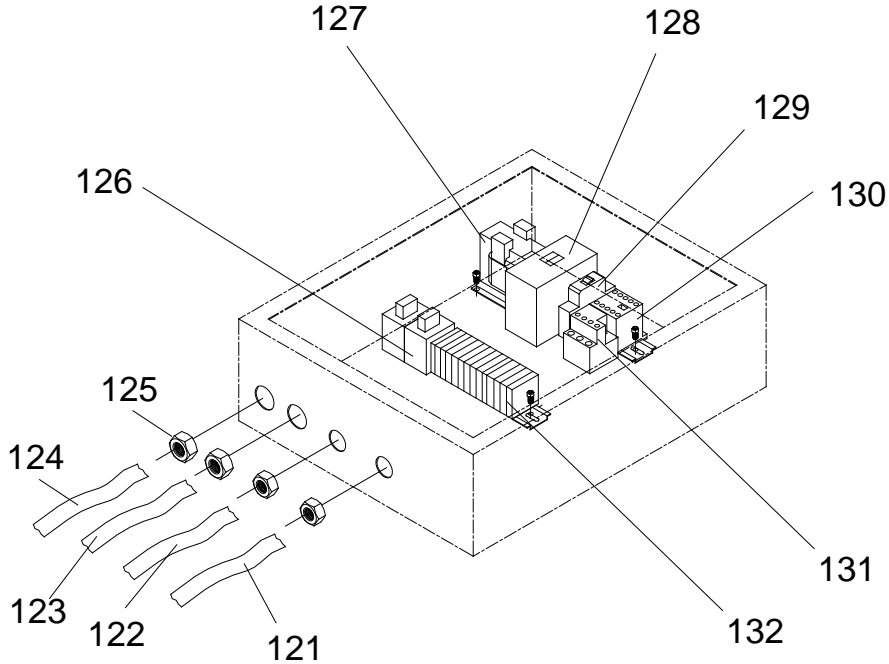
11.1.2 HS-1452 Rear Stop and Press Plate – Exploded View



### 11.1.3 HS-1452 Hydraulic Regulator Assembly – Exploded View



11.1.4 HS-1452 Control Box – Exploded View



### 11.1.5 HS-1452 Hydraulic Shear Assembly – Parts List

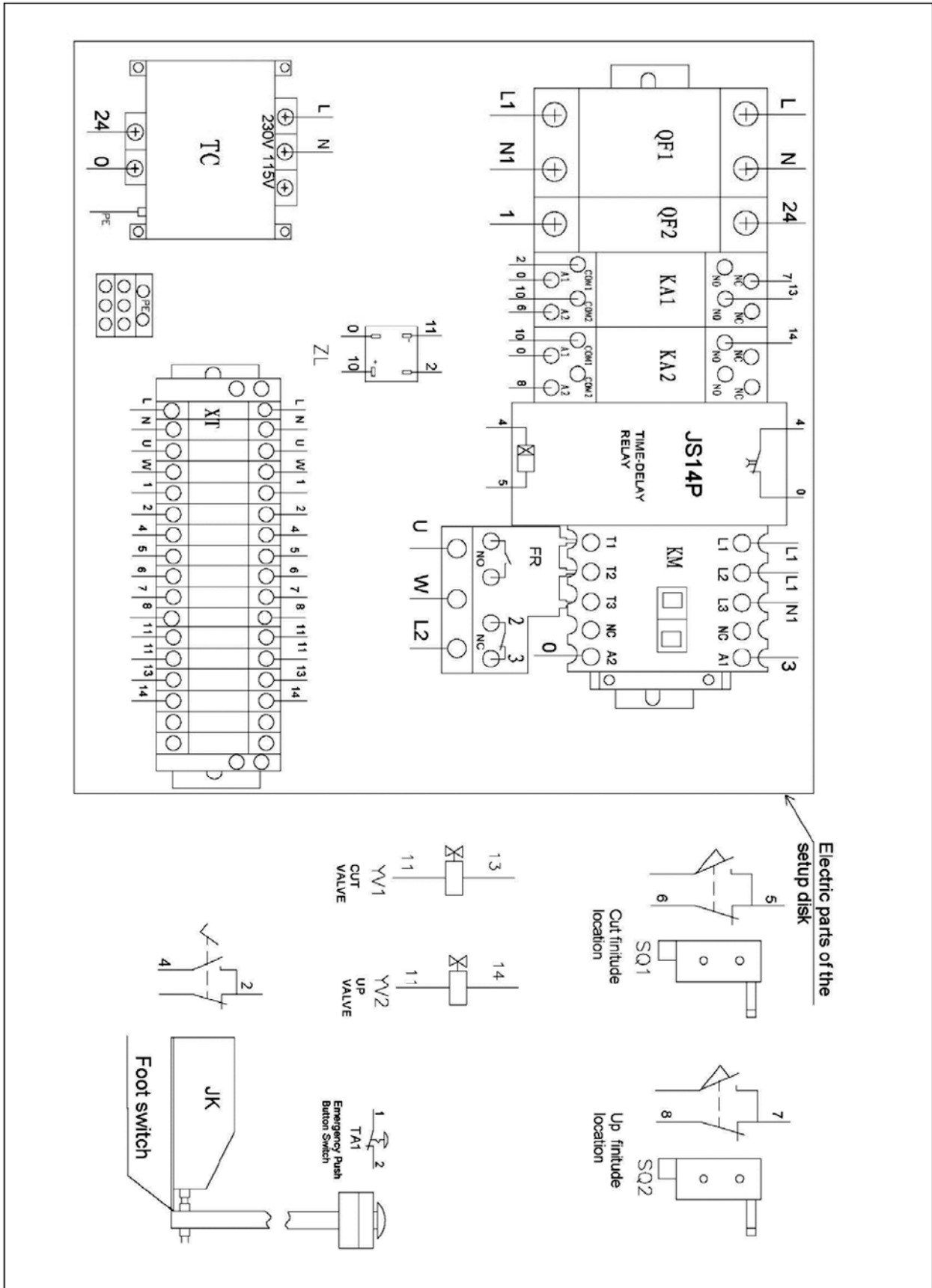
Index No.	Part No.	Description	Size	Qty
1	HS1252-1	Cover		1
2	TS-1550041	Flat Washer	M6	7
3	TS-2246122	Hex Socket Button Head Screw	M6x12	7
4	HS1252-4	Copper Nut	M12	2
5	HS1252-5	Copper Bolt	M12x70	2
6	HS1252-6	Upper Beam		1
7	HS1252-7	Fixed Plate		2
8	HS1252-8	Block		8
9	TS-1533032	Cross Recess Head Screw	M5x10	16
10	HS1252-10	Fixed Plate		2
11	HS1252-11	Blade		2
12	HS1252-12	Bolt	M6x12	28
13	TS-1510071	Hex Cap Screw	M16x70	4
14	HS1252-14	Washer		4
15	HS1252-15	Scale		1
16	HS1252-16	Table		1
17	HS1252-17	Support Rod		2
18	TS-1505031	Socket Head Cap Screw	M10x25	4
19	TS-1550061	Flat Washer	M8	4
20	TS-1490021	Hex Cap Screw	M8x16	4
21	HS1252-21	Scale		1
22	TS-149105	Hex Cap Screw	M10x35	4
23	TS-1550071	Flat Washer	M10	4
24	TS-1491041	Hex Cap Screw	M10x30	4
25	TS-2279301	Hex Socket Set Screw	M10x30	2
26	TS-2311101	Hex Nut	M10	2
27	HS1252-27	Upper Limit Block (RH)		1
28	HS1252-28	Upper Support		1
29	TS-2210501	Hex Cap Screw	M10x50	12
30	TS-2311101	Hex Nut	M10	8
31	TS-1550071	Flat Washer	M10	4
32	HS1252-32	Rear Plate		1
33	TS-1550041	Flat Washer	M6	6
34	TS-2246122	Hex Socket Button Head Screw	M6x12	6
35	HS1252-35	Upper Limit Block (LH)		1
36	TS-1504041	Socket Head Cap Screw	M8x20	4
37	HS1252-37	Body		1
38	HS1252-38	Block		2
39	TS-1523051	Hex Socket Set Screw	M6x16	2
40	TS-2310201	Hex Nut	M20	2
41	HS1252-41	Lower Connecting Block		2
42	HS1252-42	Pin		2
43	HS1252-43	Cylinder Adaptor		2
44	HS1252-44	Clevis Pin		2
45	HS1252-45	Cotter Pin	3.2x45	8
46	HS1252-46	Connecting bar		1
47	HS1252-47	Clevis Pin		2
48	HS1252-48	Link Rod		2
49	TS-2310201	Hex Nut	M20	2
50	HS1252-50	Upper Connecting Block		2
51	HS1252-51	Clevis Pin		2
52	HS1252-52	Lower Limit Switch		1
53	HS1252-53	Adjusting Block		1
54	HS1252-54	Upper Limit Switch		1
55	HS1252-55	Stand for Limit Switch		2
56	TS-1503031	Socket Head Cap Screw	M6x12	4
57	TS-1550041	Flat Washer	M6	4
58	HS1252-58	Adjusting Block		1

Index No.	Part No.	Description	Size	Qty
59	TS-1505031	Socket Head Cap Screw	M10x25	6
60	TS-2311101	Hex Nut	M10	2
61	TS-2210451	Hex Cap Screw	M10x45	2
62	HS1252-62	Stand for Electric Box		1
63	TS-1503031	Socket Head Cap Screw	M6x12	4
64	HS1252-64	Electric Box		1
65	TS-1503081	Socket Head Cap Screw	M6x35	4
66	HS1252-66	Electric Box Bolt		4
67	HS1252-67	Electric Box Cover		1
68	HS1252-68	Clevis Pin		2
69	HS1252-69	Cylinder		2
70	HS1252-70	Screw	ST4.2x45	4
71	HS1252-71	Select Switch	XB2-ED23	1
72	TS-1532042	Cross Recess Head Screw	M4x12	4
73	HS1252-73	Switch Box		1
74	HS1252-74	Post		1
75	HS1252-75	Pedal Guard	YBLT-YDT1/11	1
76	TS-1501041	Socket Head Cap Screw	M4x12	4
77	HS1252-77	Pedal Switch	YBLT-YDT1/11	1
78	HS1252-78	Strain Relief	M20x1.5	1
80	TS-2246122	Hex Socket Button Head Screw	M6x12	8
81	TS-1550041	Flat Washer	M6	8
82	HS1252-82	Front Plate		1
83	HS1252-83	Nut	M12	2
84	TS-1521021	Hex Socket Set Screw	M4x6	2
85	TS-1505061	Socket Head Cap Screw	M10x40	2
86	TS-2361101	Lock Washer	M10	2
87	TS-1550071	Flat Washer	M10	2
88	HS1252-88	Block		2
89	HS1252-89	Coiled Spring	25x12.5x1.5	48
90	HS1252-90	Rod		2
91	TS-1503071	Socket Head Cap Screw	M6x30	2
92	HS1252-92	Hold-down		1
93	HS1252-93	Guide Slot (RH)		1
94	HS1252-94	Rubber Seal		1
95	TS-1504071	Socket Head Cap Screw	M8x35	4
96	HS1252-96	Guide Slot (LH)		1
97	HS1252-97	Socket Head Cap Screw	M8x20	4
98	HS1252-98	Washer		6
99	HS1252-99	Scale		2
100	HS1252-100	Scale Rod		2
101	HS1252-101	Retaining Ring	37	4
102	HS1252-102	Bearing (37x25x7)	61805	4
103	HS1252-103	Small Gear		2
104	TS-1522011	Hex Socket Set Screw	M5x6	2
105	HS1252-105	Ring		2
106	HS1252-106	Connecting Bar		1
107	HS1252-107	Flat Key	5x20	2
108	HS1252-108	Block		2
109	TS-1504081	Socket Head Cap Screw	M8x40	2
110	HS1252-110	Sliding Bushing		4
111	HS1252-111	Sliding Block		2
112	HS1252-112	Adjustable Handle	M10x50	2
113	HS1252-113	Spacer		2
114	HS1252-114	Nut	M20x1.5	2
115	HS1252-115	Fixed Shaft		2
116	HS1252-116	Rear Stop		1
117	TS-1550061	Flat Washer	M8	2
118	TS-1490031	Hex Cap Screw	M8x20	2
119	HS1252-119	Handwheel	Φ150xΦ16	1
120	TS-2276081	Hex Socket Set Screw	M6x8	1
121	HS1252-121	Cable for Limit Switch	2x0.75mm <sup>2</sup>	1

Index No.	Part No.	Description	Size	Qty
122	HS1252-122	Cable for Magnetic Valve	6x0.5mm <sup>2</sup> 1.5m	1
123	HS1252-123	Power Cable (for 1PH)	3x2.5mm <sup>2</sup>	1
	HS1252-123/3	Power Cable (for 3PH)	4x1.5mm <sup>2</sup>	1
124	HS1252-124	Control Cable	6x0.5mm <sup>2</sup> 2.5m	1
125	HS1252-125	Strain Relief	M16x1.5	3
126	HS1252-126	Slave Relay	HH54P	2
127	HS1252-127	Transformer (for 1PH)		1
	HS1252-127/3	Transformer (for 3PH)		1
128	HS1252-128	Time Relay	JS14P 0.1-0.99S	1
129	HS1252-129	Breaker (for 1PH)	DZ47-63 1P C5/2P C16	1
	HS1252-129/3	Breaker (for 3PH)	DZ47-63 1P C5/3P C10	1
130	HS1252-130	A.C. Contactor (for 1PH)	CU11 AC24V	1
	HS1252-130/3	A.C. Contactor (for 3PH)	CN-6 AC24V	1
131	HS1252-131	Thermal Relay (for 1PH)	RHN-10 17-8.5	1
	HS1252-131/3	Thermal Relay (for 3PH)	RHN-5M 5.5-8.5	1
132	HS1252-132	Junction Terminal	UK3N 10A	1
200	HS1252-200	Hydraulic Station		1
201	HS1252-201	Oil Tank	50L	1
202	HS1252-202	Oil Gauge	LS-50	1
203	HS1252-203	Filter	JL-04	1
204	HS1252-204	Filter Cap	JY-50	1
205	HS1252-205	Cover		1
206	TS-1482041	Hex Cap Screw	M6x20	8
207	HS1252-207	Oil Return Hose		2
208	HS1252-208	Regulating Valve	Y1 3/4-16UNF	1
209	HS1252-209	Block		1
210	HS1252-210	Straight Fitting	M16x1.5	8
211	HS1252-211	Hydraulic Hose	Φ18x300mm	2
213	HS1252-213	Hydraulic Hose	Φ18x430mm	2
214	HS1252-214	T-Fitting	M16x1.5	2
215	HS1252-215	Hydraulic Hose	Φ18x930mm	2
216	HS1252-216	Socket Head Cap Screw	M5X100	4
217	HS1252-217	Magnetic Valve	DSG-02-3C6	1
218	HS1252-218	Hydraulic switch		1
219	HS1252-219	Valve	D1 3/416UNF	1
220	HS1252-220	Hydraulic Pressure Gauge		1
221	HS1252-221	Gauge Switch		1
222	HS1252-222	Hydraulic Hose		1
223	HS1252-223	Motor	2.2kW 1PH	1
	HS1252-223/3	Motor	2.2kW 3PH	1
224	TS-1490051	Hex Cap Screw	M8x30	4
225	HS1252-225	Hydraulic Hose		1
226	HS1252-210	Straight Fitting	M16x1.5	1
227	HS1252-227	Screw	M6x25	8
228	HS1252-228	Connect Block		2
229	HS1252-229	Hydraulic pump	RGP-2A-F11R	1
230	HS1252-230	Socket Head Cap Screw	M10x25	4
231	HS1252-210	Straight Fitting	M16x1.5	1
232	HS1252-232	Filter		1
233	HS1252-233	Hex Bolt	M8x30	4
234	TS-1505031	Socket Head Cap Screw	M10x25	3
235	TS-1550071	Flat Washer	M10	3
236	HS1252-236	Front Stop		1
237	HS1252-237	Bevel Gauge		1
238	HS1252-238	T-Nut		3
239	HS1252-239	Plug		2

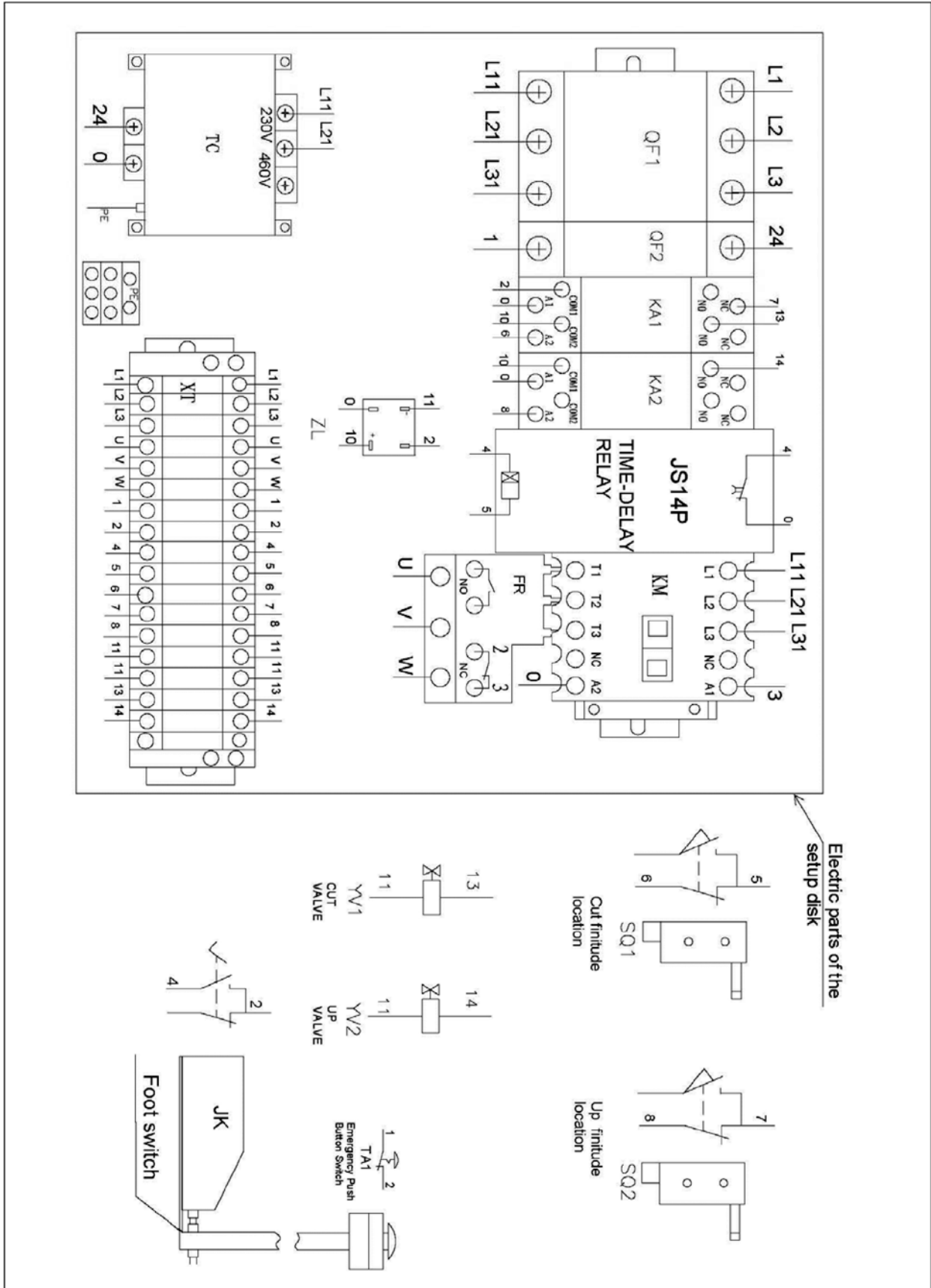


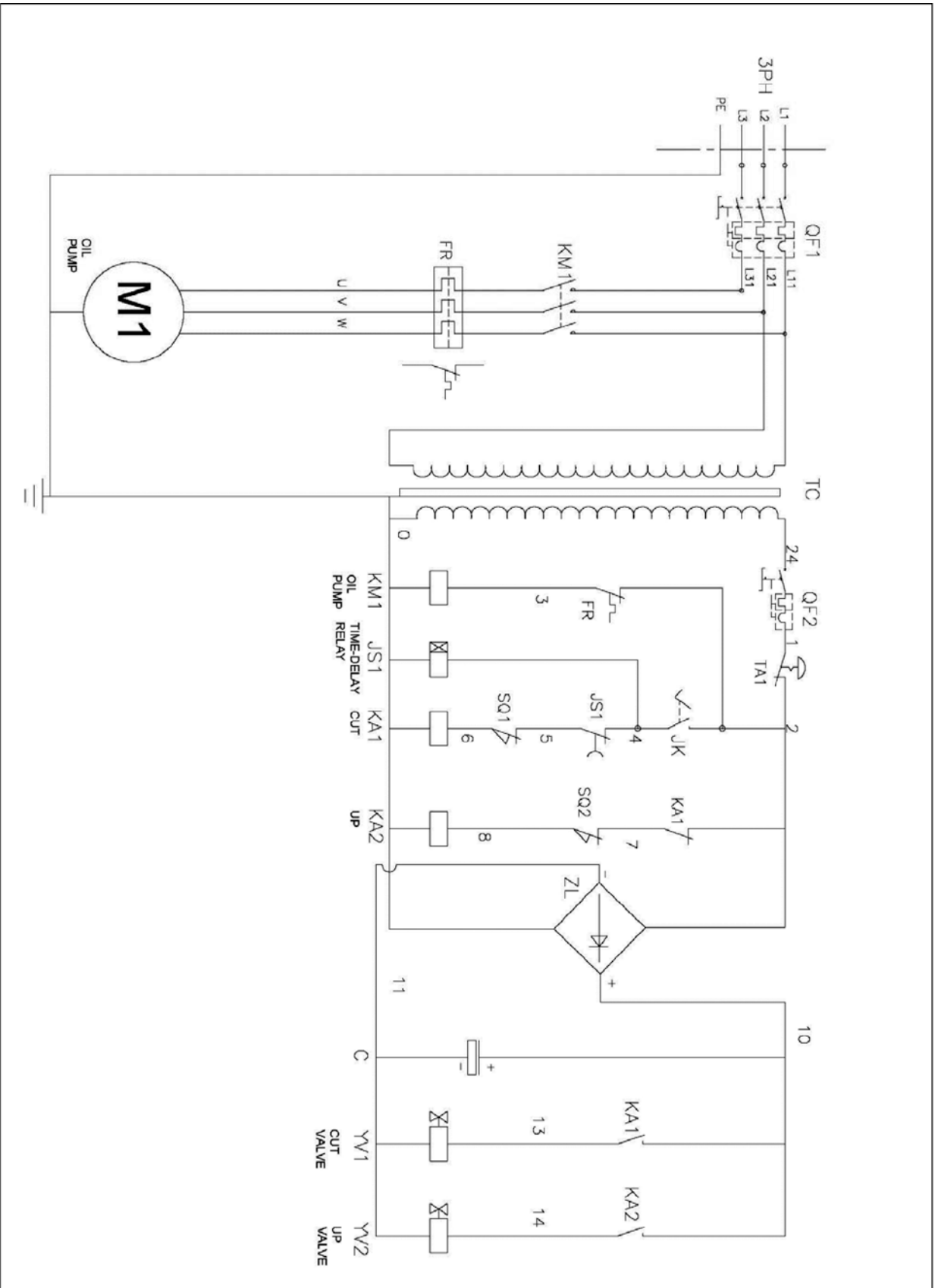
## 12.1 Electrical Connections – single phase only (HS-1452)



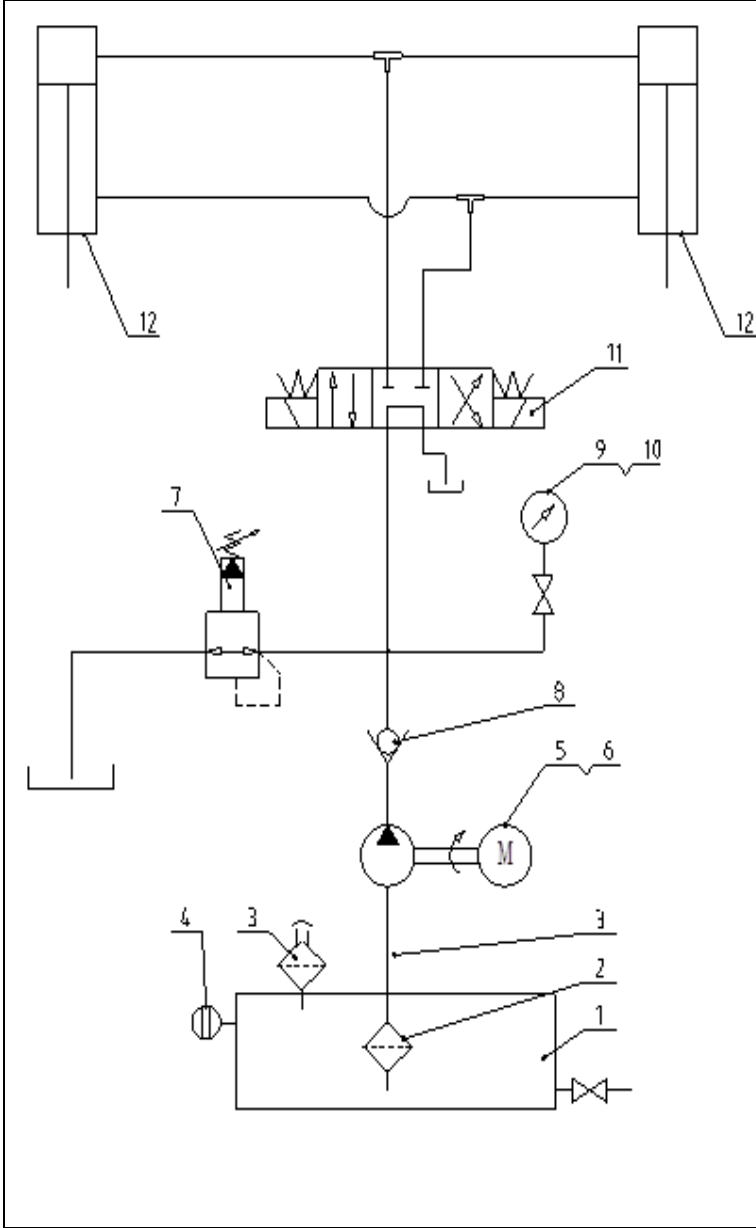


## 12.2 Electrical Connections – 3 phase only (HS-1452)





### 13.0 Hydraulic diagram (HS-1452)



No.	Description	Qty
1	Hydraulic tank	1
2	Oil filter	1
3	Air filter	1
4	Oil gauge	1
5	Motor	1
6	Pump	1
7	Pressure regulating valve	1
8	One way valve	1
9	Pressure indicator	1
10	Indicator switch	1
11	Magnetic exchange valve	1
12	Cylinder	2

This page intentionally left blank



427 New Sanford Road  
LaVergne, Tennessee 37086  
Phone: 800-274-6848  
[www.jettools.com](http://www.jettools.com)