

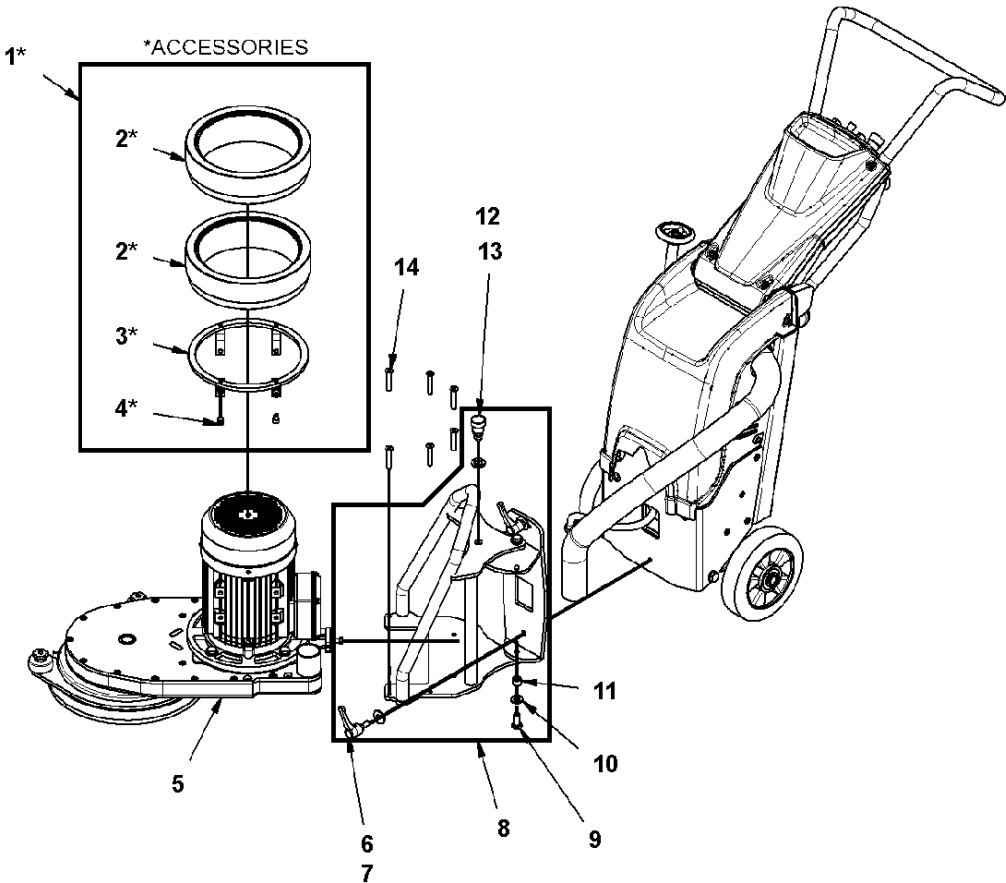


# SPARE PARTS LIST

SURFACE PREPARATION EQUIPMENT

HTC 270EG, 967838708, 967838709,  
967838710, 967838711, 2021-01

**A** 270EG  
OVERVIEW

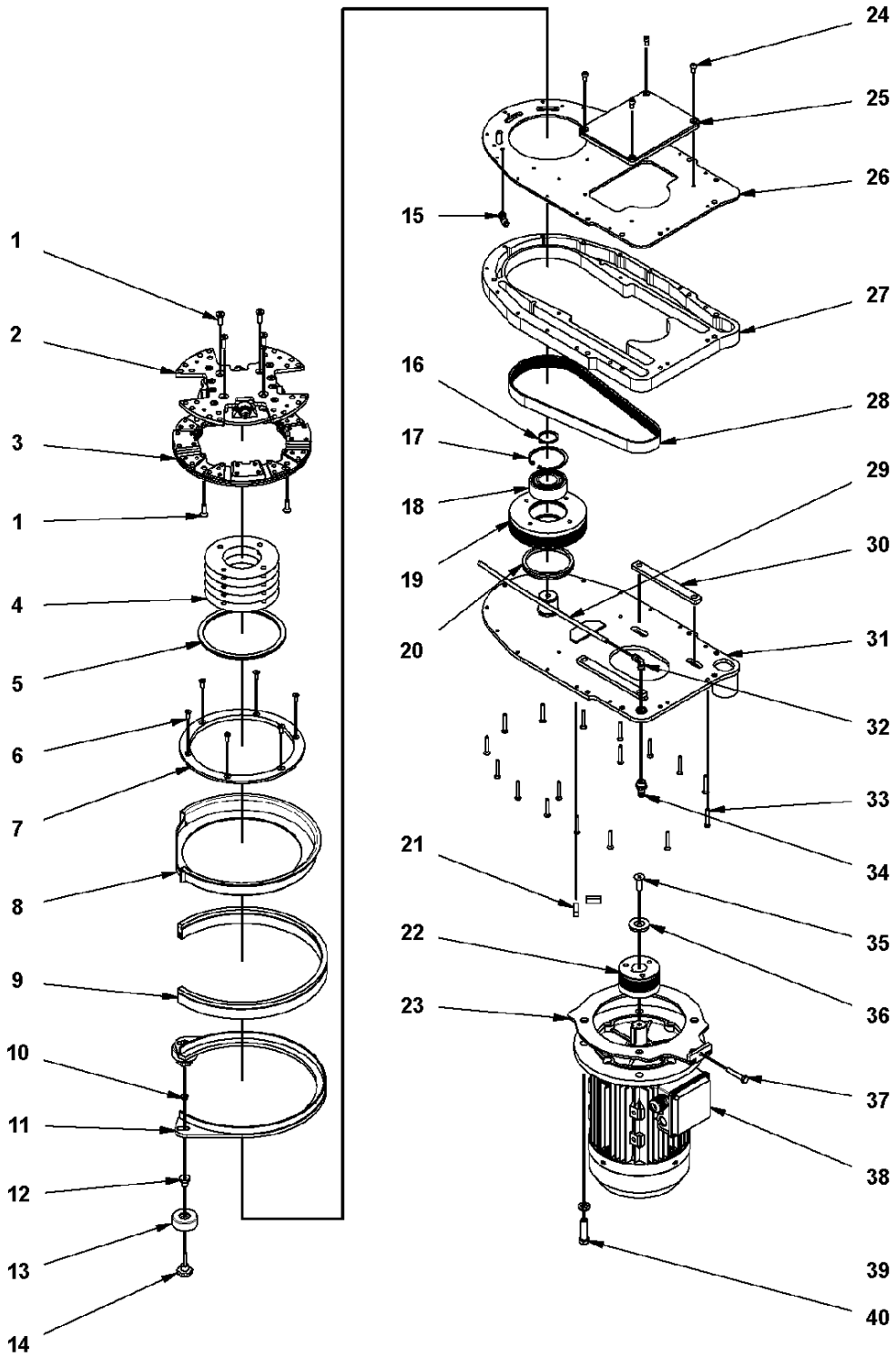


## OVERVIEW

HTC 270EG, 967838708, 967838709, 967838710, 967838711, 2021-01

| Ref | Part No      | Description   | Remark                         | QTY KIT |
|-----|--------------|---------------|--------------------------------|---------|
| 1   | 593 52 72-01 | WEIGHT KIT    | WEIGHT KIT HTC 270 EG          | 1       |
| 2   | 595 69 92-01 | WEIGHT KIT    | WEIGHT KIT RING HTC 270 EG     | 2       |
| 3   | 593 52 73-01 | BRACKET       | WEIGHT KIT BRACKET HTC 270 EG  | 1       |
| 4   | 593 49 55-01 | SCREW         | SCREW MC6S M8x10 8.8 ZP        | 4       |
| 5   | 593 63 11-01 | GRINDING HEAD | GRIND HEAD HTC 270 EG          | 1       |
| 6   | 599 87 24-01 | HANDLE        | SET HANDLE ADJUSTABLE M10x20   | 2       |
| 7   | 593 51 19-01 | WASHER        | WASHER RBS M10 ZP              | 2       |
| 8   | 595 69 67-01 | CHASSIS       | CHASSIE JOINT HTC 270 EG       | 1       |
| 9   | 593 49 59-01 | SCREW         | SCREW M6SH M12x25 8.8 ZP       | 2       |
| 10  | 593 49 94-01 | WASHER        | WASHER BRB M12 ZP              | 2       |
| 11  | 593 46 32-01 | BUSHING       | BRONZE BUSHING 12/18x12        | 2       |
| 12  | 593 49 75-01 | WASHER        | WASHER BRB M16 ZP              | 1       |
| 13  | 593 45 68-01 | PISTON        | LEVER INDEXING PLUNGER M16x1,5 | 1       |
| 14  | 593 58 29-01 | SCREW         | SCREW MF6S M8X50 10.9 ZP       | 6       |

**B** 270EG  
GRINDING HEAD

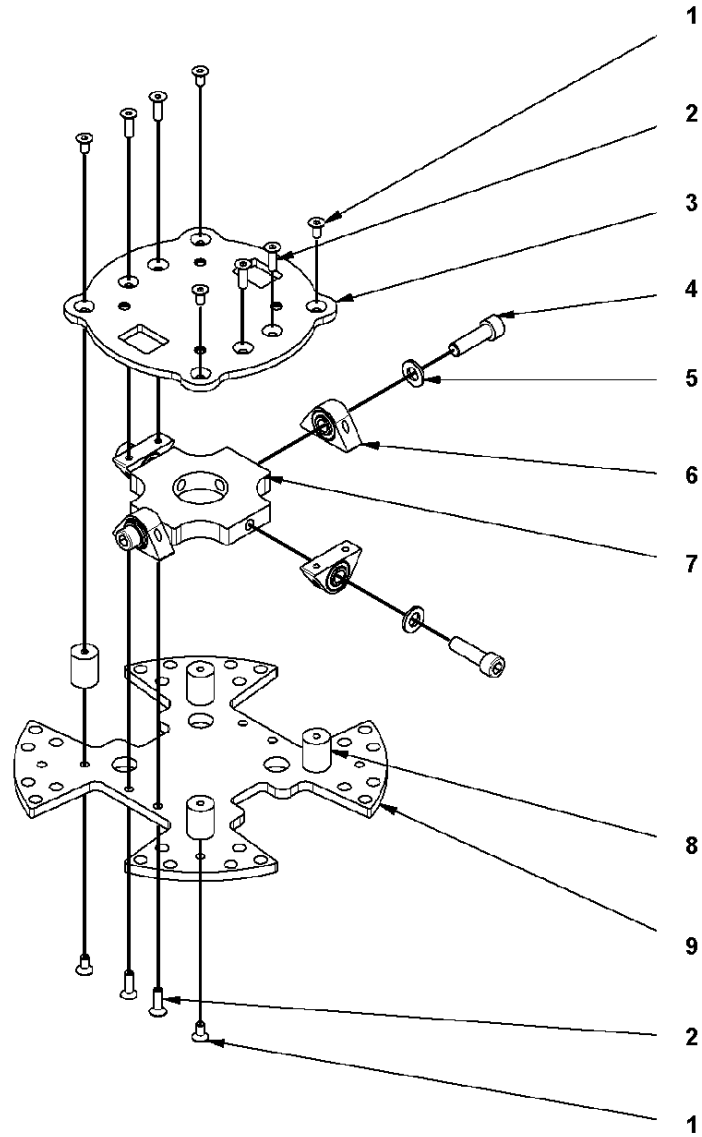


## GRINDING HEAD

HTC 270EG, 967838708, 967838709, 967838710, 967838711, 2021-01

| Ref | Part No      | Description  | Remark                           | QTY KIT |
|-----|--------------|--------------|----------------------------------|---------|
| 1   | 593 50 17-01 | SCREW        | SCREW MFTS M8X25 8.8 ZP          | 8       |
| 2   | 593 52 26-01 | HOLDER       | GRIND HOLDER CARDAN COMPLETE     | 1       |
| 3   | 593 31 92-04 | TOOL HOLDER  | TOOL HOLDER ELASTIC              | 1       |
| 4   | 593 52 59-01 | PLATE        | SHIM PLATE                       |         |
| 5   | 593 52 52-01 | SEAL         | PLASTIC/RUBBER SEALING           | 1       |
| 6   | 593 50 78-01 | SCREW        | SCREW MFTS M6x16 10.9 ZP         | 6       |
| 7   | 593 52 22-01 | RING         | GUIDE RING GRINDING COVER        | 1       |
| 8   | 595 75 46-01 | COVER        | GRINDING COVER INNER             | 1       |
| 9   | 593 46 31-01 | STRIP        | BRUSH LIST 10MM FBL1330. 0.8 M   | 1       |
| 10  | 593 58 27-01 | LOCK NUT     | NUT FLANGE LM6MF M6 ZP           | 2       |
| 11  | 593 52 24-01 | COVER        | GRINDING COVER                   | 1       |
| 12  | 593 52 30-01 | AXLE         | AXLE FOR GRINDING COVER WHEEL    | 2       |
| 13  | 593 52 29-01 | WHEEL        | WHEEL GRINDING COVER             | 2       |
| 14  | 593 46 30-01 | KNOB         | WHEEL KNOB WN175 M6x30           | 2       |
| 15  | 595 63 68-01 | CONNECTOR    | CONNECTOR 90°6MM HOSE-M7         | 1       |
| 16  | 593 49 81-01 | CIRCLIP      | CIRCLIP SGA 35                   | 1       |
| 17  | 593 50 90-01 | CIRCLIP      | CIRCLIP SGH 72                   | 1       |
| 18  | 593 46 28-01 | BALL BEARING | BALL BEARING 3207 A-2RS1-C3      | 1       |
| 19  | 593 52 27-01 | PULLEY       | PULLEY GRIND HOLDER              | 1       |
| 20  | 593 46 41-01 | V-RING       | RADIAL SEAL CR 400900 VR1        | 1       |
| 21  | 593 46 39-01 | LEVEL        | SPIRIT LEVEL VIAL H29            | 2       |
| 22  | 593 52 32-01 | PULLEY       | PULLEY MOTOR                     | 1       |
| 23  | 595 69 73-01 | TENSIONER    | TENSIONER PLATE                  | 1       |
| 24  | 593 49 73-01 | SCREW        | SCREW MC6S M6X12 8.8 ZP          | 4       |
| 25  | 595 69 69-01 | COVER        | COVER GRIND HEAD                 | 1       |
| 26  | 595 69 68-01 | PLATE        | PLATE LOWER GRIND HEAD           | 1       |
| 27  | 593 52 28-01 | PLATE        | PLATE MIDDLE GRIND HEAD          | 1       |
| 28  | 593 46 29-01 | POLY-V BELT  | BELT POLY-V PK 870-7             | 1       |
| 29  | 593 43 38-01 | TUBE         | HOSE Ø6MM + 0.4M                 | 1       |
| 30  | 595 69 70-01 | MOUNT        | MOUNT PLATE MOTOR                | 2       |
| 31  | 593 52 31-01 | PLATE        | PLATE UPPER GRIND HEAD           | 1       |
| 32  | 593 44 98-01 | CONNECTOR    | "CONNECTOR ANGLE 6MM OUTS. 1/4"" | 1       |
| 33  | 593 49 82-01 | SCREW        | SCREW MFTS M6X40 8.8 ZP          | 17      |
| 35  | 593 50 24-01 | SCREW        | SCREW MF6S M10x30 10.9 ZP        | 1       |
| 36  | 595 69 71-01 | LOCK         | LOCK PLATE PULLEY MOTOR          | 1       |
| 37  | 593 58 28-01 | SCREW        | SCREW M6SH M8x45 8.8 ZP          | 1       |
| 38  | 593 40 55-01 | MOTOR        | MOTOR 2.2kW                      | 1       |
| 39  | 593 49 94-01 | WASHER       | WASHER BRB M12 ZP                | 4       |
| 40  | 593 49 80-01 | SCREW        | SCREW M6SH M12x45 8.8 ZP         | 4       |

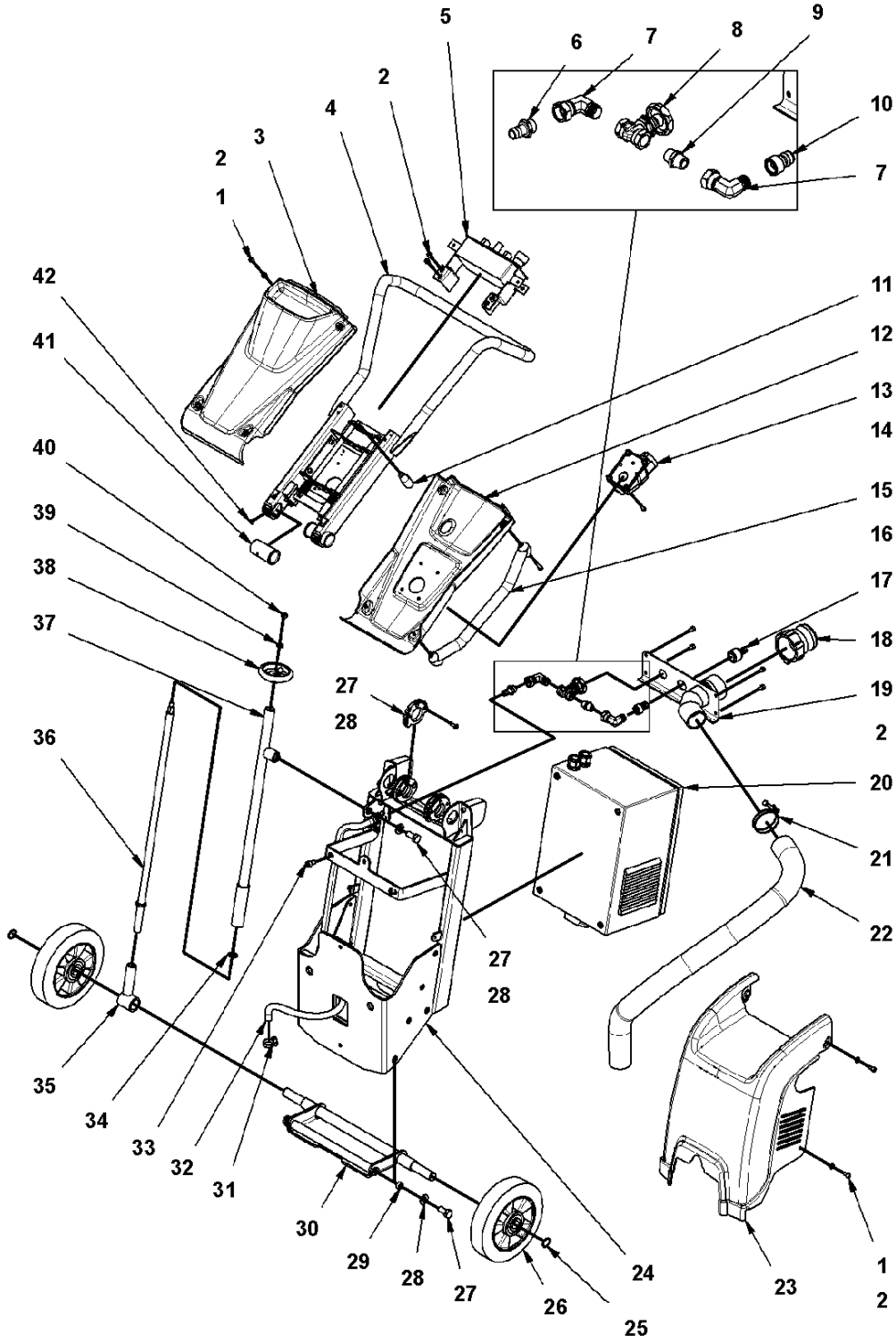
**C** 270EG  
GRINDING HOLDER ASSY



## GRINDING HOLDER ASSY HTC 270EG, 967838708, 967838709, 967838710, 967838711, 2021-01

| Ref | Part No      | Description | Remark                      | QTY KIT |
|-----|--------------|-------------|-----------------------------|---------|
| 1   | 593 50 85-01 | SCREW       | SCREW MFTS M6X12<br>10.9 ZP | 8       |
| 2   | 593 50 51-01 | SCREW       | SCREW MFTS M6X20<br>10.9 ZP | 8       |
| 3   | 593 63 10-01 | PLATE       | UPPER GRIND HOLDER<br>PLATE | 1       |
| 4   | 593 50 81-01 | SCREW       | SCREW MC6S M10X35<br>8.8 ZP | 4       |
| 5   | 593 49 91-01 | WASHER      | WASHER BRB M10 ZP           | 4       |
| 6   | 593 61 64-01 | BUSHING     | BUSHING EAR                 | 4       |
| 7   | 593 53 62-01 | CONNECTION  | CARDAN CONNECTION           | 1       |
| 8   | 595 74 84-01 | ABSORBER    | SHOCK ABSORBER<br>20x25 M6  | 4       |
| 9   | 593 52 25-01 | PLATE       | LOWER GRIND HOLDER<br>PLATE | 1       |

**D** 270EG  
OVERVIEW





## OVERVIEW

HTC 270EG, 967838708, 967838709, 967838710, 967838711, 2021-01

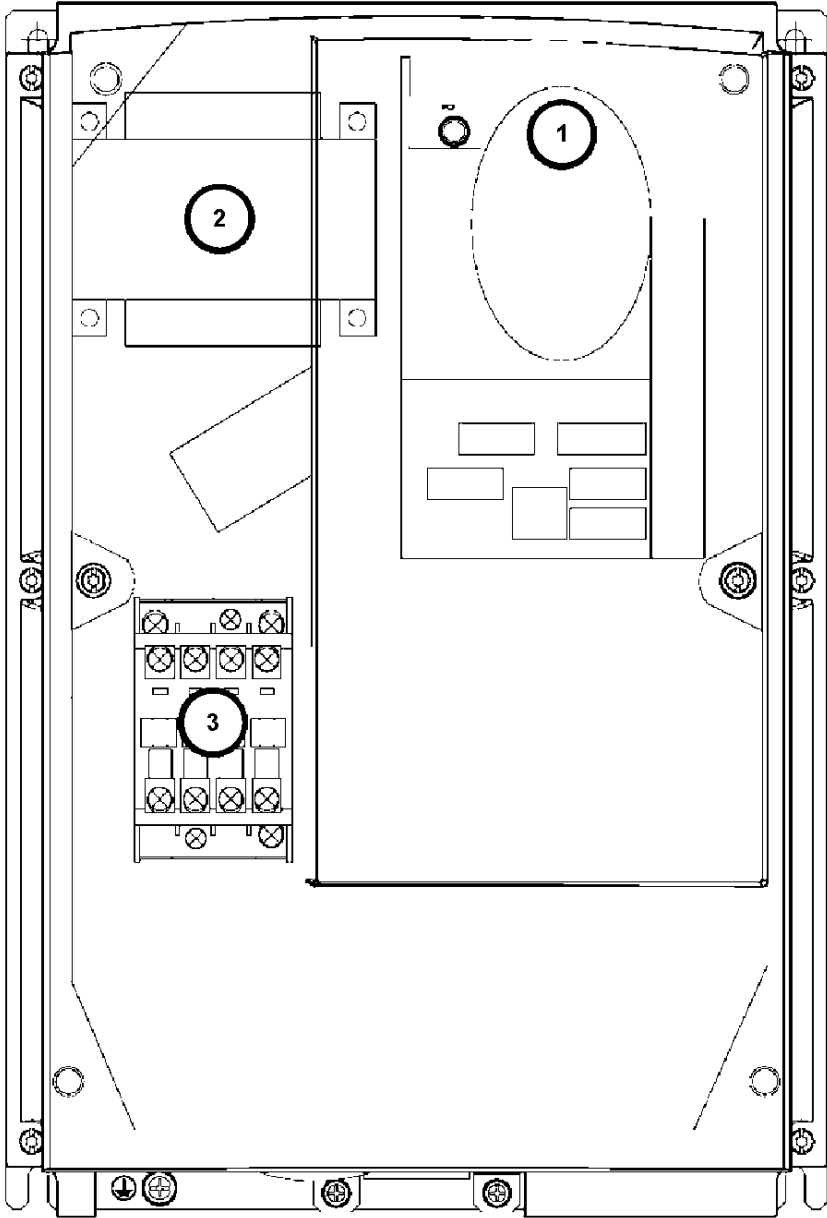
| Ref | Part No      | Description   | Remark                                  | QTY KIT |
|-----|--------------|---------------|---|---------|
| 1   | 593 49 60-01 | WASHER        | WASHER BRB M6 ZP                        | 8       |
| 2   | 593 49 54-01 | SCREW         | SCREW MC6S M6X10 8.8 ZP                 | 14      |
| 3   | 593 43 62-02 | COVER         | HANDLE COVER UPPER                      | 1       |
| 4   | 593 52 33-01 | HANDLE ASSY   | HANDLE ASSEMBLY SMALL MACHINES          | 1       |
| 5   | 595 72 51-02 | PANEL         | OPERATORPANEL HTC270EG                  | 1       |
| 7   | 595 63 69-01 | CONNECTOR     | CONNECTOR 90°R3/8 UF - R3/8 IF          | 2       |
| 8   | 593 43 93-01 | VALVE         | "FLOW CONTROL VALVE 2x R3/8" IF"        | 1       |
| 9   | 595 81 14-01 | BARREL        | CONNECTOR STRAIGHT R3/8 UF - R3/8 UF    | 1       |
| 10  | 595 81 13-01 | COUPLING      | CONNECTOR R3/8 IF - SNAP COUPLER MALE   | 1       |
| 11  | 593 43 68-01 | SWITCH        | HANDLENOB WN539 50-M6                   | 1       |
| 12  | 593 43 61-02 | COVER         | HANDLE COVER LOWER                      | 1       |
| 13  | 593 39 66-01 | INLET         | APPLIANCE INLET, SURF16A BI 3P          | 1       |
| 13  | 593 39 59-01 | INLET         | APPLIANCE INLET, SURFACE 16A R          | 1       |
| 13  | 593 44 93-01 | INLET         | APPLIANCE INLET 16A 480-500V            | 1       |
| 14  | 593 50 50-01 | SCREW         | SCREW MC6S M5X16 8.8 ZP                 | 4       |
| 15  | 595 69 91-01 | HANDLEBAR     | HANDLEBAR                               | 2       |
| 16  | 593 49 78-01 | SCREW         | SCREW MC6S M6X25 12.9 PLAIN             | 4       |
| 17  | 595 81 12-01 | COUPLING      | "CONNECTOR SNAP COUPLER FEM-HOSE 1/2" " | 1       |
| 18  | 593 46 00-01 | THREAD INSERT | "CAMLOCK MALE INSIDE 2" "               | 1       |
| 19  | 593 63 12-01 | PLATE         | CONNECTION PLATE                        | 1       |
| 20  | 595724801    | TBD           | POWER UNIT 270EG 1X110V                 | 1       |
| 20  | 595 72 56-01 | POWER UNIT    | POWER UNIT 270EG 3X400V                 | 1       |
| 20  | 595 72 50-01 | POWER UNIT    | POWER UNIT 270EG 3X460V                 | 1       |
| 21  | 593 45 27-01 | HOSE CLAMP    | "HOSE CLAMP 2" "                        | 1       |
| 22  | 593 46 02-01 | HOSE KIT      | HOSE 51MM ANTISTATIC BLACK              | 0       |
| 23  | 595 69 80-02 | COVER         | COVER                                   | 1       |
| 24  | 595 69 75-01 | CHASSIS       | CHASSIS BRACKET ASSY                    | 1       |
| 25  | 593 49 63-01 | CIRCLIP       | CIRCLIP SGA 20                          | 2       |
| 26  | 593 40 87-01 | WHEEL         | WHEEL 200MM                             | 2       |
| 27  | 593 49 59-01 | SCREW         | SCREW M6SH M12x25 8.8 ZP                | 3       |
| 28  | 593 49 94-01 | WASHER        | WASHER BRB M12 ZP                       | 3       |
| 29  | 595 69 74-01 | WHEEL         | WHEEL BRACKET BUSH                      | 2       |
| 30  | 595 69 78-01 | WHEEL         | WHEEL BRACKET ASSY                      | 1       |
| 31  | 594 99 11-01 | HOSE CLAMP    | HOSE CLAMP 12-22MM                      | 2       |
| 32  | 593 38 86-01 | TUBE          | HOSE Ø10MM REINFORCED                   | 1       |
| 33  | 593 50 06-01 | SCREW         | SCREW MC6S M8X16 10.9 ZP                | 4       |
| 34  | 595 69 83-01 | WASHER        | BRONZE WASHER HEIGHT ADJUSTER           | 1       |
| 35  | 595 69 77-01 | BRACKET       | HEIGHT ADJ. WHEEL BRACKET ASSY          | 1       |
| 36  | 595 69 76-01 | SHAFT         | HEIGHT ADJ. THREADED SHAFT ASSY         | 1       |
| 37  | 595 69 79-01 | PIPE          | HEIGHT ADJUST PIPE ASSEMBLY             | 1       |
| 38  | 595 80 44-01 | KNOB          | KNOB WHEEL ADJUSTMENT                   | 1       |

## OVERVIEW

HTC 270EG, 967838708, 967838709, 967838710, 967838711, 2021-01

| Ref | Part No      | Description | Remark                     | QTY KIT |
|-----|--------------|-------------|----------------------------|---------|
| 39  | 593 50 04-01 | WASHER      | WASHER BRB M8 ZP           | 1       |
| 40  | 593 50 47-01 | NUT         | NUT M6M M8                 | 1       |
| 41  | 593 43 70-01 | HANDLE      | HUB HANDLE                 | 2       |
| 42  | 593 50 12-01 | SCREW       | SCREW MFTS M6X9 10.9<br>ZP | 4       |
| 43  | 593 43 69-01 | GEAR        | GEAR LOWER                 | 2       |
| 44  | 593 49 67-01 | SCREW       | SCREW MFTS M6X20 8.8<br>ZP | 6       |

**E** 270EG  
ELECTRICAL CABINET 1x110V

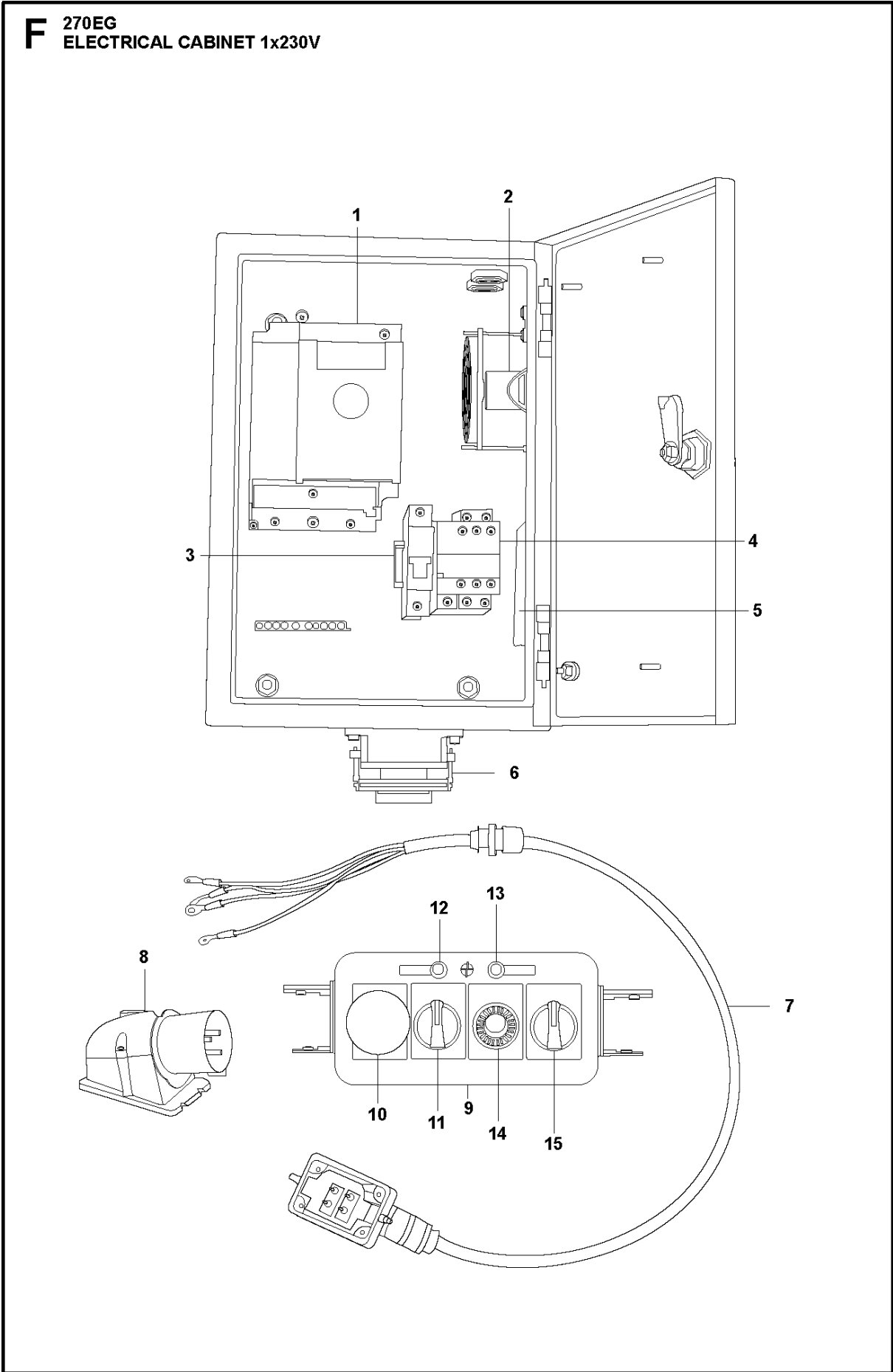


ELECTRICAL CABINET 1x110V  
2021-01

HTC 270EG, 967838708, 967838709, 967838710, 967838711,

| Ref | Part No      | Description | Remark                                     | QTY KIT |
|-----|--------------|-------------|--|---------|
| 1   | 593 43 99-02 | POWER UNIT  | POWER UNIT 2.2kW<br>1x100V                 | 1       |
| 2   | 593 61 89-01 | INDUCTOR    | LINE INDUCTANCE 1-<br>PHASE 110V 30A 360?H | 1       |
| 3   | 595 73 89-01 | CONTACTOR   | CONTACTOR 18A 100-<br>250V                 | 1       |

**F** 270EG  
ELECTRICAL CABINET 1x230V

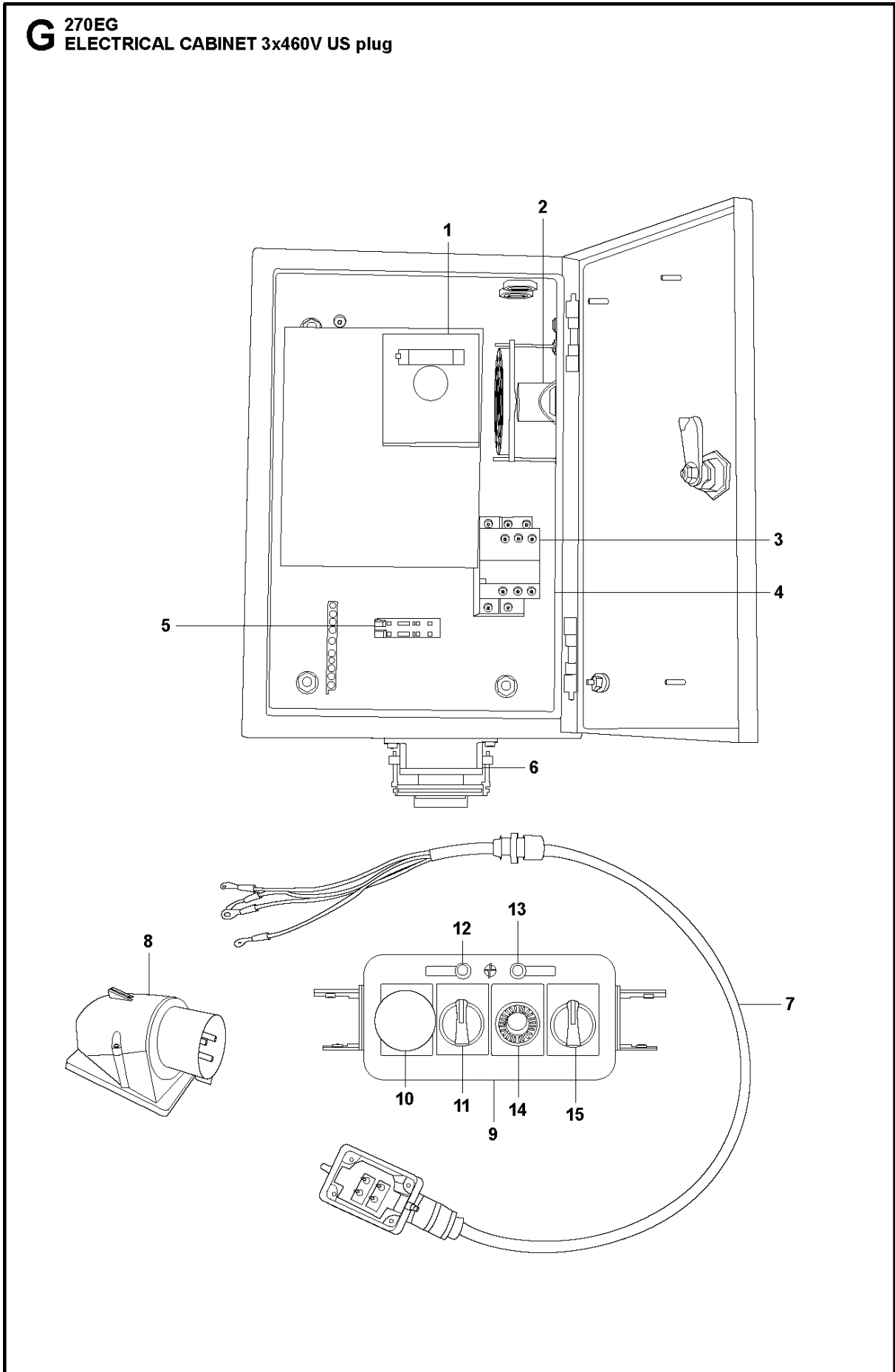


ELECTRICAL CABINET 1x230V  
2021-01

HTC 270EG, 967838708, 967838709, 967838710, 967838711,

| Ref | Part No      | Description        | Remark                         | QTY KIT |
|-----|--------------|--------------------|--------------------------------|---------|
| 1   | 593 46 03-01 | FREQUENCY INVERTER | INVERTER                       | 1       |
| 2   | 593 46 69-01 | FAN                | FILTERFAN                      | 1       |
| 2   | 593 55 30-01 | FILTER HOLDER      | FILTER HOLDER                  | 1       |
| 3   | 595 73 30-01 | FUSE               | FUSE 1POL 1A                   | 1       |
| 4   | 593 55 24-01 | CONTACTOR          | CONTACTOR                      | 1       |
| 5   | 593 55 30-01 | FILTER HOLDER      | FILTER HOLDER                  | 1       |
| 6   | 593 55 29-01 | SOCKET             | MOTOR CABLE INLET              | 1       |
| 8   | 593 39 66-01 | INLET              | POWER INLET BLUE               | 1       |
| 10  | 593 40 67-01 | PUSH BUTTON        | EMERGENCY STOP<br>PRESS BUTTON | 1       |
| 10  | 593 61 49-01 | BASE               | MOUNTING BASE                  | 1       |
| 10  | 593 39 97-01 | BLOCK              | CONTACT BLOCK RED<br>(NC)      | 1       |
| 11  | 593 39 82-01 | KNOB               | ON/OFF KNOB 3-POS              | 1       |
| 11  | 593 61 49-01 | BASE               | MOUNTING BASE                  | 1       |
| 11  | 593 39 97-01 | BLOCK              | CONTACT BLOCK RED<br>(NC)      | 1       |
| 11  | 593 39 96-01 | BLOCK              | CONTACT BLOCK<br>GREEN (NO)    | 1       |
| 12  | 593 47 23-01 | DIODE              | GREEN LED                      | 1       |
| 14  | 593 43 41-01 | POTENTIOMETER      | POTENTIOMETER                  | 1       |
| 15  | 593 39 93-01 | KNOB               | FRW/REW KNOB 3-POS             | 1       |
| 15  | 593 61 49-01 | BASE               | MOUNTING BASE                  | 1       |
| 15  | 593 39 96-01 | BLOCK              | CONTACT BLOCK<br>GREEN (NO)    | 2       |

**G** 270EG  
ELECTRICAL CABINET 3x460V US plug



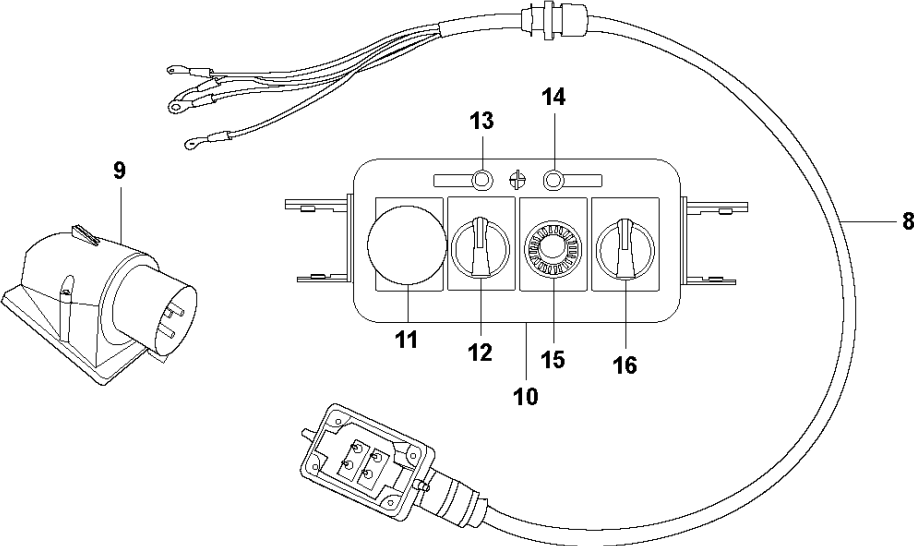
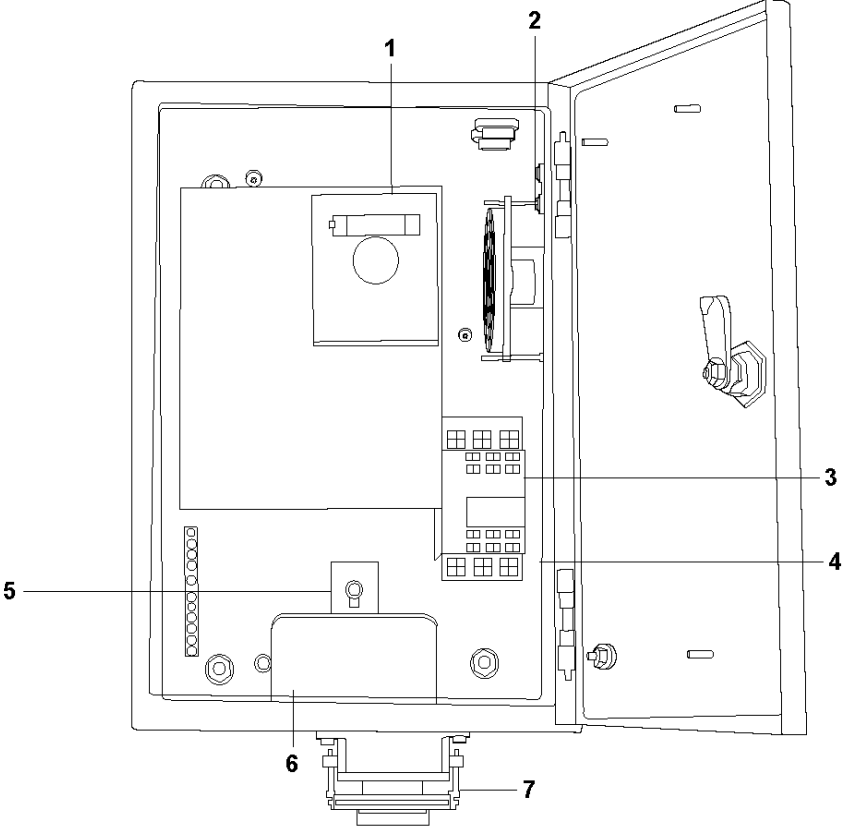
ELECTRICAL CABINET 3x460V US plug  
967838711, 2021-01

HTC 270EG, 967838708, 967838709, 967838710,

| Ref | Part No      | Description        | Remark                         | QTY KIT |
|-----|--------------|--------------------|--------------------------------|---------|
| 1   | 593 55 25-01 | FREQUENCY INVERTER | INVERTER                       | 1       |
| 2   | 593 46 69-01 | FAN                | FILTER FAN                     | 1       |
| 2   | 593 55 30-01 | FILTER HOLDER      | FILTER HOLDER                  | 1       |
| 3   | 595733101    | TBD                | CONTACTOR                      | 1       |
| 4   | 593 55 30-01 | FILTER HOLDER      | FILTER HOLDER                  | 1       |
| 5   | 593 47 07-01 | FUSE               | FUSE GLASS TUBE 0.2A           | 2       |
| 5   | 593 55 28-01 | TERMINAL           | FUSE TERMINAL                  | 2       |
| 6   | 593 55 29-01 | SOCKET             | MOTOR CABLE INLET              | 1       |
| 8   | 593 44 93-01 | INLET              | POWER INLET                    | 1       |
| 9   | 595 72 51-01 | PANEL              | OPERATOR PANEL                 | 1       |
| 10  | 593 40 67-01 | PUSH BUTTON        | EMERGENCY STOP<br>PRESS BUTTON | 1       |
| 10  | 593 61 49-01 | BASE               | MOUNTING BASE                  | 1       |
| 10  | 593 39 97-01 | BLOCK              | CONTACT BLOCK RED<br>(NC)      | 1       |
| 11  | 593 39 82-01 | KNOB               | ON/OFF KNOB 3-POS              | 1       |
| 11  | 593 61 49-01 | BASE               | MOUNTING BASE                  | 1       |
| 11  | 593 39 97-01 | BLOCK              | CONTACT BLOCK RED<br>(NC)      | 1       |
| 11  | 593 39 96-01 | BLOCK              | CONTACT BLOCK<br>GREEN (NO)    | 1       |
| 12  | 593 47 23-01 | DIODE              | GREEN LED                      | 1       |
| 14  | 593 43 41-01 | POTENTIOMETER      | POTENTIOMETER                  | 1       |
| 15  | 593 39 93-01 | KNOB               | FRW/REW KNOB 3-POS             | 1       |
| 15  | 593 61 49-01 | BASE               | MOUNTING BASE                  | 1       |
| 15  | 593 39 96-01 | BLOCK              | CONTACT BLOCK<br>GREEN (NO)    | 2       |



**H** 270EG  
ELECTRICAL CABINET 3x400V EU plug

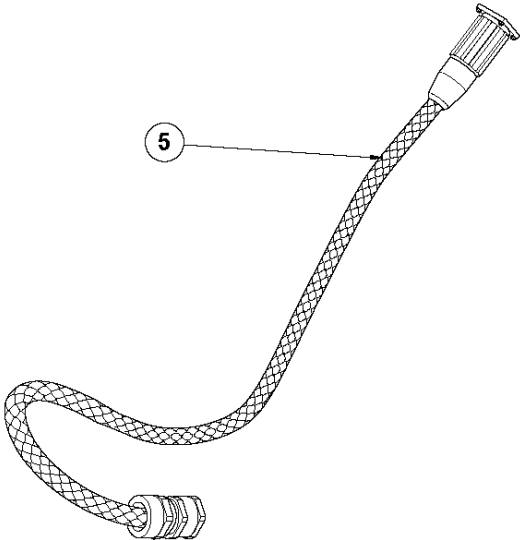
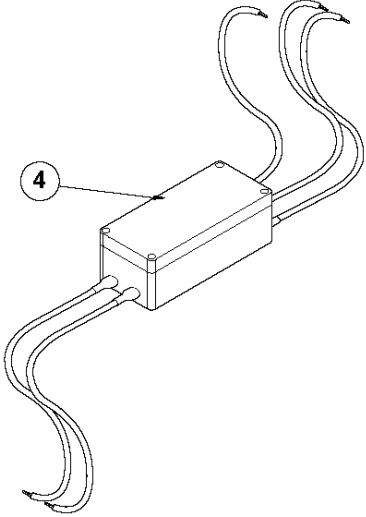
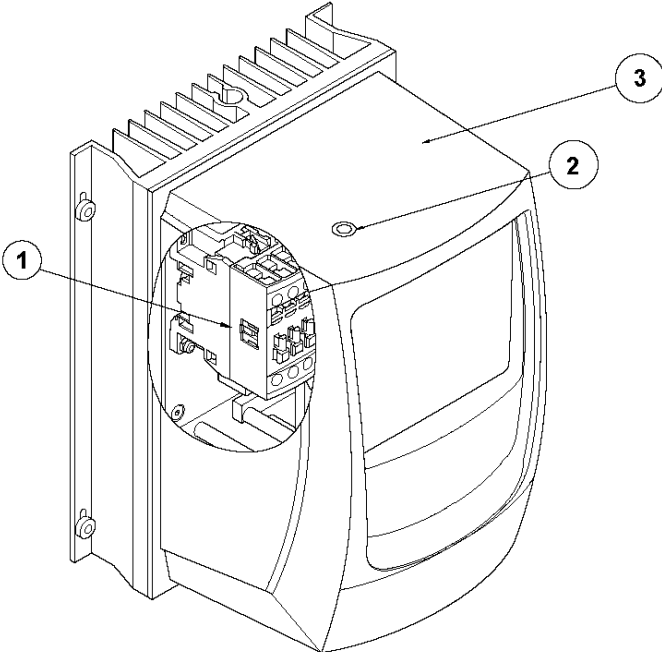


ELECTRICAL CABINET 3x400V EU plug  
967838711, 2021-01

HTC 270EG, 967838708, 967838709, 967838710,

| Ref | Part No      | Description        | Remark                         | QTY KIT |
|-----|--------------|--------------------|--------------------------------|---------|
| 1   | 593 55 25-01 | FREQUENCY INVERTER | INVERTER                       | 1       |
| 2   | 593 46 69-01 | FAN                | FILTERFAN                      | 1       |
| 2   | 593 55 30-01 | FILTER HOLDER      | FILTER HOLDER                  | 1       |
| 3   | 593 55 27-01 | CONTACTOR          | CONTACTOR                      | 1       |
| 4   | 593 55 30-01 | FILTER HOLDER      | FILTER HOLDER                  | 1       |
| 5   | 593 47 07-01 | FUSE               | FUSE GLASS TUBE 0.2A           | 1       |
| 5   | 593 55 28-01 | TERMINAL           | FUSE TERMINAL                  | 1       |
| 6   | 595 73 32-01 | FILTER             | EMI FILTER                     | 1       |
| 7   | 593 55 29-01 | SOCKET             | MOTOR CABLE INLET              | 1       |
| 9   | 593 37 67-01 | CONNECTOR          | CONNECTOR FEMALE<br>RED        | 1       |
| 11  | 593 40 67-01 | PUSH BUTTON        | EMERGENCY STOP<br>PRESS BUTTON | 1       |
| 11  | 593 61 49-01 | BASE               | MOUNTING BASE                  | 1       |
| 11  | 593 39 97-01 | BLOCK              | CONTACT BLOCK RED<br>(NC)      | 1       |
| 12  | 593 39 82-01 | KNOB               | ON/OFF KNOB 3-POS              | 1       |
| 12  | 593 61 49-01 | BASE               | MOUNTING BASE                  | 1       |
| 12  | 593 39 97-01 | BLOCK              | CONTACT BLOCK RED<br>(NC)      | 1       |
| 12  | 593 39 96-01 | BLOCK              | CONTACT BLOCK<br>GREEN (NO)    | 1       |
| 13  | 593 47 23-01 | DIODE              | GREEN LED                      | 1       |
| 15  | 593 43 41-01 | POTENTIOMETER      | POTENTIOMETER                  | 1       |
| 16  | 593 39 93-01 | KNOB               | FRW/REW KNOB 3-POS             | 1       |
| 16  | 593 61 49-01 | BASE               | MOUNTING BASE                  | 1       |
| 16  | 593 39 96-01 | BLOCK              | CONTACT BLOCK<br>GREEN (NO)    | 2       |

**270EG  
POWER UNIT**



POWER UNIT

HTC 270EG, 967838708, 967838709, 967838710, 967838711, 2021-01

| Ref | Part No      | Description | Remark                     | QTY | KIT |
|-----|--------------|-------------|----------------------------|-----|-----|
| 1   | 595 73 89-01 | CONTACTOR   | CONTACTOR 18A 100-250V     | 1   | 1   |
| 2   | 599 68 88-01 | FUSE        | FUSE WITH PROTECTIVE LID   | 1   | 1   |
| 3   | 599 70 72-01 | SERVICE KIT | INVERTER 1X115V 1.1KW CMPL | 1   |     |
| 4   | 599 70 73-01 | SERVICE KIT | EMC-FILTER CMPL            | 1   |     |
| 5   | 599 68 72-01 | CABLE ASSY  | CABLE CONTROL PANEL CMPL   | 1   |     |