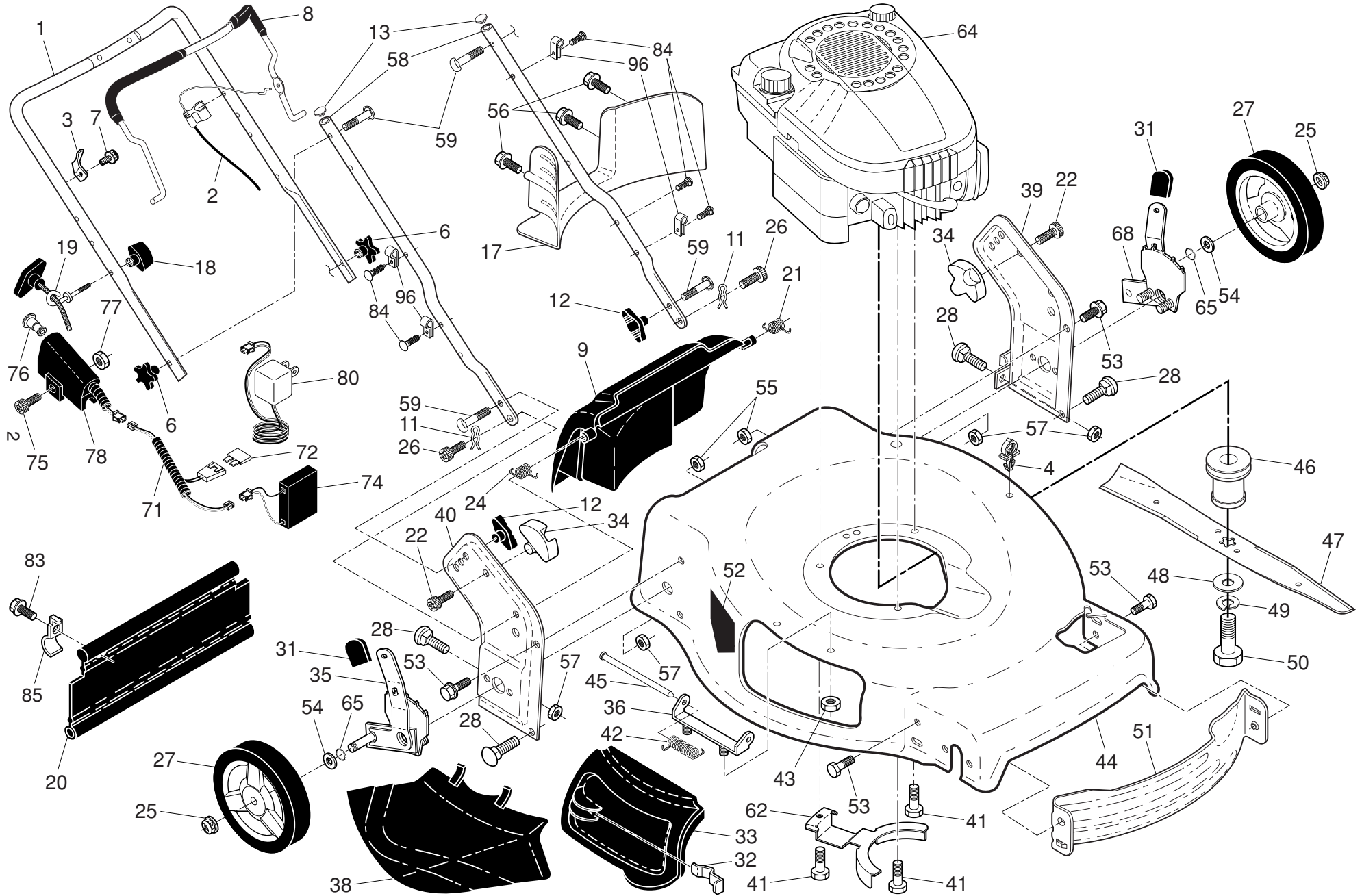


HUSQVARNA ROTARY LAWN MOWER - - MODEL NUMBER HU675FE (MFG. ID. NO. 96143009302)



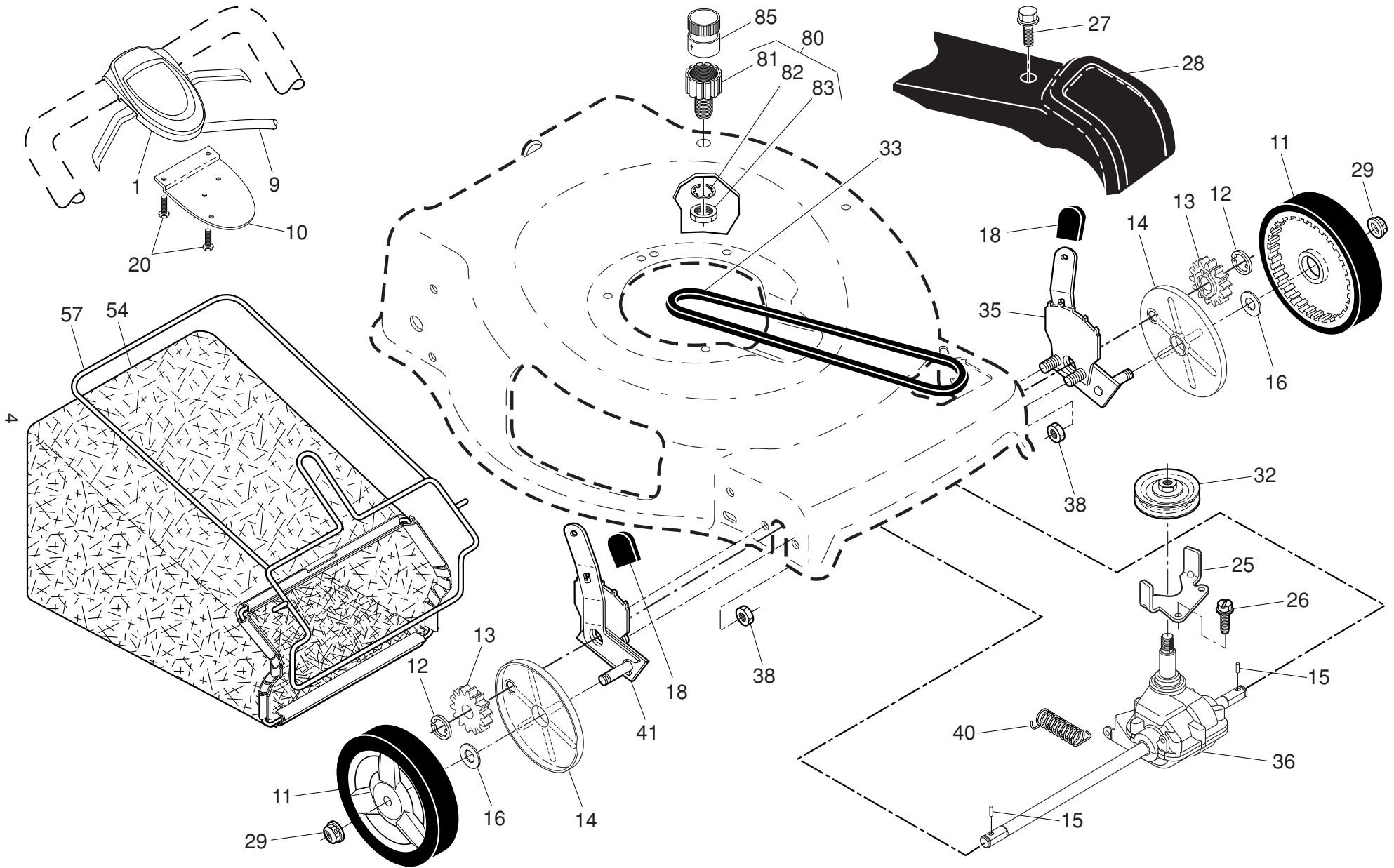
HUSQVARNA ROTARY LAWN MOWER - - MODEL NUMBER HU675FE (MFG. ID. NO. 96143009302)

KEY NO.	PART NO.	DESCRIPTION	KEY NO.	PART NO.	DESCRIPTION
1	580 63 87-06	Upper Handle	45	532 17 56-50	Rod, Hinge
2	532 41 53-50	Cable, Engine Zone Control	46	581 47 33-01	Blade Adapter / Pulley
3	532 43 00-34	Bracket, Upstop	47	580 24 40-01	Blade, 22"
4	532 14 50-06	Guide, Cable	48	532 85 10-74	Washer, Hardened
6	532 18 23-98	Handle Knob, Star	49	532 85 02-63	Washer, Helical
7	532 17 88-48	Screw, Hex Washer Head #10-16 x 5/8	50	532 85 10-84	Screw, Machine, Hex Head, Grade 8 3/8-24 x 1-3/8
8	580 84 91-02	Control Bar	51	532 43 05-99	Front Baffle
9	532 43 13-90	Rear Door Assembly	52	532 40 47-63	Decal, Danger
11	532 42 55-75	Hairpin, Door/Handle Pivot	53	817 00 0-510	Screw 1/4-20 x 1/2
12	532 19 19-38	Handle Knob, Standard	54	532 08 83-48	Washer, Flat
13	532 43 75-16	Plug, Lower Handle Bar	55	532 19 17-30	Nut, Hex, Flanged 1/4-20
17	532 42 73-07	Rear Baffle	56	817 41 13-12	Screw, Hex Washer Head #13 x 3/4
18	581 91 26-01	T-Knob	57	532 15 53-77	Nut, Hex 3/8-16
19	581 90 21-01	Rope Guide	58	532 44 11-97	Bar, Lower Handle
20	532 42 91-57	Rear Skirt	59	532 19 15-74	Handle Bolt
21	532 41 99-49	Spring, Rear Door, LH, Black	62	532 43 50-59	Belt Retainer
22	532 14 18-41	Screw, Panhead, Torx #20	64	- - -	Engine, Briggs & Stratton, Model Number 126M05-0109-F4 (For engine service and replacement parts, call Briggs & Stratton at 1-800-233-3723)
24	532 41 99-48	Spring, Rear Door, RH, Gray			
25	532 40 91-48	Nut, Hex, Flanged			O-Ring
26	532 41 99-45	Screw, Door/Handle Pivot	65	532 19 74-80	Wheel Adjuster, Rear, LH
27	532 41 08-31	Wheel & Tire Assembly, Rear	68	532 43 11-38	Warning Harness, Battery
28	586 21 25-01	Bolt, Carriage 5/16-18 x 5/8	71	532 43 10-09	Fuse, 40 Amp
31	532 70 10-37	Selector Knob	72	532 42 59-37	Battery
32	532 44 11-92	Latch, Mulcher Door	74	532 43 07-65	Bolt M6 x 40
33	532 41 99-27	Mulcher Door	75	532 44 66-94	Starter Button
34	532 43 81-34	Pivot Bracket	76	580 91 52-02	Nut, Hex M6
35	532 43 11-39	Wheel Adjuster, Rear, RH	77	532 44 66-95	Electric Start Assembly (Includes Switch Housing, Switch & Wiring Harness)
36	532 17 57-35	Hinge Bracket Assembly	78	580 60 92-01	Charger, Battery
38	532 42 61-29	Discharge Deflector			Screw
39	585 90 07-03	Handle Bracket, LH	80	532 42 86-26	Fastener, Push
40	585 90 08-03	Handle Bracket, RH	83	532 75 00-97	Mounting Bracket, Rear Skirt
41	532 15 04-06	Screw, Dogpoint 3/8-16 x 1-1/8	84	532 42 81-24	Clip, Cable
42	532 19 30-00	Spring, Torsion	85	532 43 45-30	Operator's Manual, English / Spanish
43	532 19 17-30	Nut, Hex, Nylock	96	532 19 79-91	
44	581 69 08-01	Kit, Lawn Mower Housing	--	115 63 13-96	

NOTE: All component dimensions given in U.S. inches. 1 inch = 25.4 mm

IMPORTANT: Use only Original Equipment Manufacturer (O.E.M.) replacement parts. Failure to do so could be hazardous, damage your lawn mower and void your warranty.

HUSQVARNA ROTARY LAWN MOWER - - MODEL NUMBER HU675FE (MFG. ID. NO. 96143009302)



HUSQVARNA ROTARY LAWN MOWER - - MODEL NUMBER HU675FE (MFG. ID. NO. 96143009302)

KEY NO.	PART NO.	DESCRIPTION	KEY NO.	PART NO.	DESCRIPTION
1	579 70 89-09	Drive Control Assembly (Includes Cable)	28	532 42 10-97	Drive Cover Assembly
9	532 43 16-49	Cable, Drive Control	29	532 40 91-48	Locknut, Hex
10	532 43 27-90	Bracket, Drive Control	32	532 44 32-62	Drive Pulley
11	532 41 10-81	Wheel & Tire Assembly, Front	33	532 42 66-09	V-Belt
12	812 00 00-58	E-Ring	35	581 49 79-04	Wheel Adjuster, Front, LH
13	532 40 38-49	Pinion	36	532 42 47-41	Gearcase Assembly, Complete
14	581 84 04-01	Dust Cover	38	532 19 17-30	Locknut, Hex 1/4-20
15	532 40 48-45	Pawl, Drive	40	532 40 65-58	Spring
16	532 06 77-25	Washer, Flat 3/8	41	581 49 79-03	Wheel Adjuster, Front, RH
18	532 70 10-37	Selector Knob	54	580 94 73-15	Grassbag
20	532 18 16-98	Screw	57	585 05 47-02	Frame, Grassbag
25	532 43 17-11	Belt Guide Bracket	80	532 43 84-89	Kit, Water Washout Assembly
26	532 16 34-09	Screw, Hi-Lo Thread #12 x 5/8	81	532 43 49-94	Fitting, Hose, Water Washout
27	532 17 52-62	Screw	82	532 41 55-85	Washer, Lock, Internal Tooth
			83	532 41 55-86	Locknut, Hex, with O-Ring
			85	532 41 64-05	Adapter, Quick-Connect

NOTE: All component dimensions given in U.S. inches. 1 inch = 25.4 mm

IMPORTANT: Use only Original Equipment Manufacturer (O.E.M.) replacement parts. Failure to do so could be hazardous, damage your lawn mower and void your warranty.