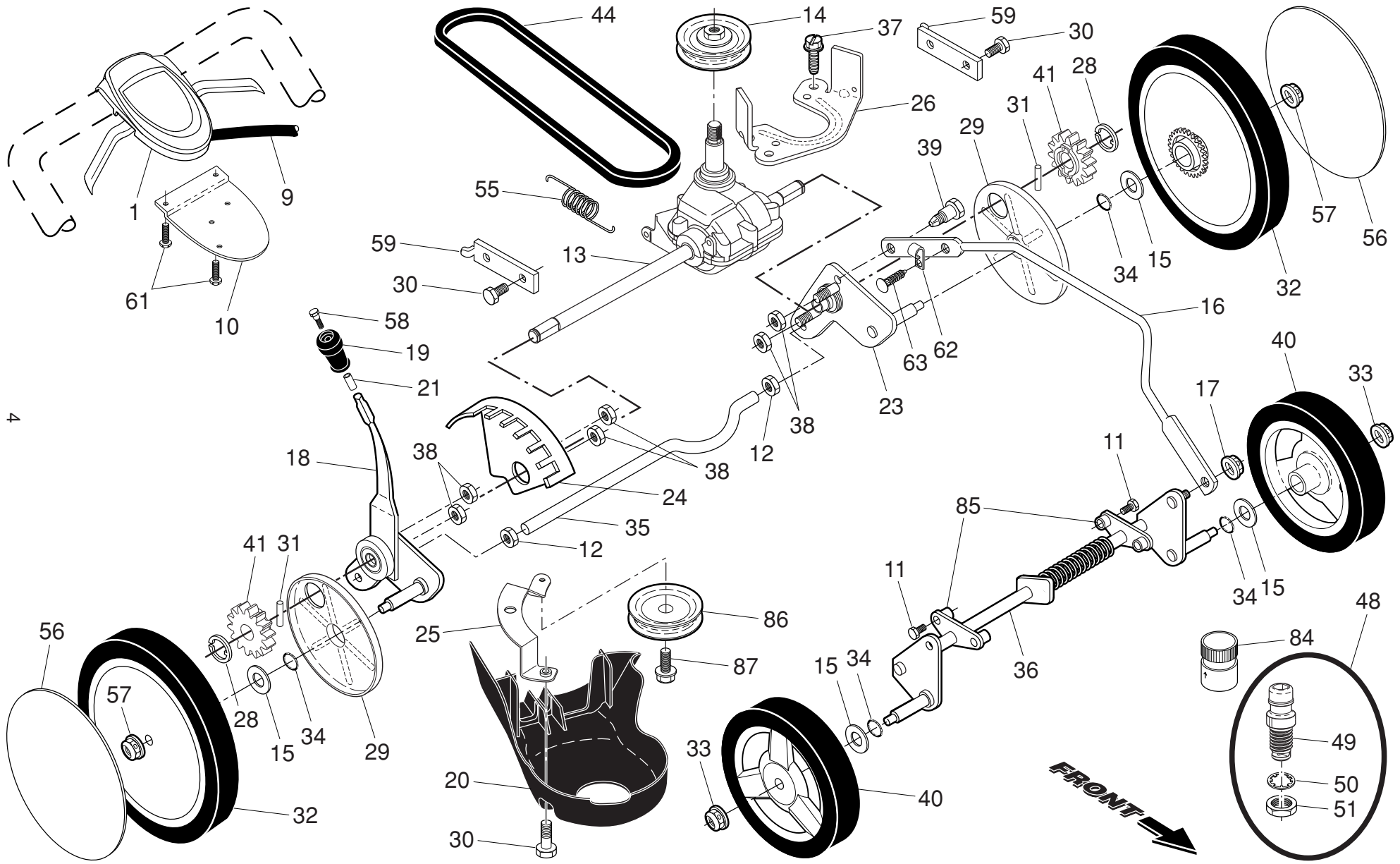


HUSQVARNA ROTARY LAWN MOWER - MODEL NO. HU775H (96145001000) PRODUCT NO. 961 45 00-10

KEY NO.	PART NO.	DESCRIPTION	KEY NO.	PART NO.	DESCRIPTION
1	581 84 47-01	Upper Handle Assembly	42	532 19 30-00	Spring, Torsion
2	532 42 74-97	Cable, Engine Zone Control	43	532 19 17-30	Nut, Hex
3	532 43 00-34	Bracket, Upstop	44	532 44 62-61	Kit, Lawn Mower Housing
6	532 18 23-98	Handle Knob, Star	45	532 17 56-50	Rod, Hinge
7	532 17 88-48	Screw, Hex Washer Head #10-16 x 5/8	46	581 09 85-01	Blade Adapter
8	580 84 91-02	Control Bar, Molded	47	580 24 40-01	Blade, 22"
9	532 43 13-90	Rear Door Assembly	48	532 85 10-74	Washer, Hardened
11	532 42 55-75	Hairpin, Door/Handle Pivot	49	532 85 02-63	Washer, Helical
12	532 19 19-38	Handle Knob, Standard	50	532 85 10-84	Screw, Machine, Hex Head 3/8-24 x 1-3/8 Grade 8
13	532 43 75-16	Plug, Lower Handle Bar	51	581 23 89-01	Front Baffle
17	532 43 12-38	Rear Baffle	52	532 40 47-63	Decal, Warning
18	532 13 20-04	Keys Locknut 1/4-20	53	532 43 73-45	Screw
19	532 19 47-88	Rope Guide	56	817 41 13-12	Screw, Hex Washer Head #13 x 3/4
20	532 44 45-37	Rear Skirt	57	532 15 53-77	Nut, Hex
21	532 41 99-49	Spring, Rear Door, LH, Black	58	532 44 11-97	Lower Handle
22	532 14 18-41	Screw, Panhead, Torx #20	59	532 19 15-74	Handle Bolt
24	532 41 99-48	Spring, Rear Door, RH, Grey	64	- - -	Engine, Briggs & Stratton, Model Number 111P02-0116-F1 (For engine service and replacement parts, call Briggs & Stratton at 1-800-233-3723)
26	532 41 99-45	Screw, Rear Door/Handle Pivot			
28	872 25 05-05	Bolt, Carriage 5/16-18 x 5/8			
30	580 94 34-04	Grassbag			
31	532 41 99-51	Frame, Grass Catcher			
32	532 44 11-92	Latch, Mulcher Door	83	532 75 00-97	Screw, Hex Washer Head
33	532 41 99-27	Mulcher Door	84	532 42 81-24	Fastener, Push
34	532 43 81-34	Bracket, Grassbag	85	532 43 45-30	Mounting Bracket, Rear Skirt
36	532 17 57-35	Hinge Bracket Assembly			
37	817 00 05-10	Screw, Hex Head 1/4-20	96	532 19 79-91	Clip, Cable
38	532 42 61-29	Discharge Guard	97	581 11 53-02	Belt Keeper
39	581 35 37-02	Handle Bracket, LH	99	532 43 73-89	Front Shroud Assembly
40	581 35 36-02	Handle Bracket, RH	--	115 53 96-49	Operator's Manual, English / French
41	532 15 04-06	Screw, Dogpoint 3/8-16 x 1-1/8	--	115 53 96-31	Operator's Manual, Spanish

NOTE: All component dimensions given in U.S. inches. 1 inch = 25.4 mm. **IMPORTANT:** Use only Original Equipment Manufacturer (O.E.M.) replacement parts. Failure to do so could be hazardous, damage your lawn mower and void your warranty.

HUSQVARNA ROTARY LAWN MOWER - MODEL NO. HU775H (96145001000) PRODUCT NO. 961 45 00-10



HUSQVARNA ROTARY LAWN MOWER - MODEL NO. HU775H (96145001000) PRODUCT NO. 961 45 00-10

KEY NO.	PART NO.	DESCRIPTION	KEY NO.	PART NO.	DESCRIPTION
1	532 43 09-95	Drive Control Assembly (Includes Cable)	34	532 19 74-80	O-Ring
9	532 43 16-50	Cable, Drive	35	532 43 05-98	Axle, Rear
10	532 43 27-90	Mounting Bracket, Drive Control	36	532 44 71-89	Axle, Front
11	817 41 13-12	Screw	37	532 16 34-09	Screw, Hi-Lo Thread, 12 x 5/8
12	873 94 08-00	Nut, Hex	38	532 19 17-30	Nut, Hex
13	581 68 08-01	Gearcase Assembly, Complete	39	532 40 70-59	Bolt
14	532 19 41-28	Pulley, Drive	40	532 41 08-31	Wheel & Tire Assembly, Front
15	532 08 83-48	Washer, Flat	41	532 42 87-83	Pinion
16	532 43 00-30	Rod, Connecting	44	532 40 65-57	Belt, Drive
17	532 75 11-53	Nut, Hex	48	532 43 84-89	Kit, Water Washout Assembly
18	581 90 17-01	Selector Assembly	49	532 43 49-94	Fitting, Water Washout
19	532 43 39-96	Knob, Wheel Adjuster	50	532 41 55-85	Washer, Lock, Internal Tooth
20	532 42 70-23	Debris Shield	51	532 41 55-86	Locknut, Hex, with O-Ring
21	532 43 52-42	Anchor	55	581 35 13-01	Spring, Tension
23	532 42 89-90	Wheel Axle Assembly, LH	56	532 44 13-33	Hubcap
24	532 43 35-11	Bracket, Height Adjustment	57	532 40 91-49	Nut, Flangelock 3/8-16
25	581 31 38-02	Mounting Bracket, Debris Shield	58	532 43 52-41	Bolt, Shoulder
26	532 42 60-66	Belt Keeper	59	532 44 21-13	Support Bracket
28	812 00 00-58	E-Ring 7/16	61	532 18 16-98	Screw
29	532 42 87-81	Cover, Dust, Wheel	62	532 19 79-91	Clip, Cable
30	817 00 05-10	Screw, Hex Head	63	532 42 81-24	Fastener, Push
31	532 40 48-45	Pawl, Drive	84	532 41 64-05	Adapter, Water Washout
32	581 33 67-01	Wheel & Tire Assembly, Rear	85	532 43 90-77	Support Bracket, Front Axle
33	532 40 91-48	Nut, Flangelock 3/8-16	86	580 36 43-01	Pulley, Idler
			87	581 12 76-01	Screw

NOTE: All component dimensions given in U.S. inches. 1 inch = 25.4 mm. **IMPORTANT:** Use only Original Equipment Manufacturer (O.E.M.) replacement parts. Failure to do so could be hazardous, damage your lawn mower and void your warranty.