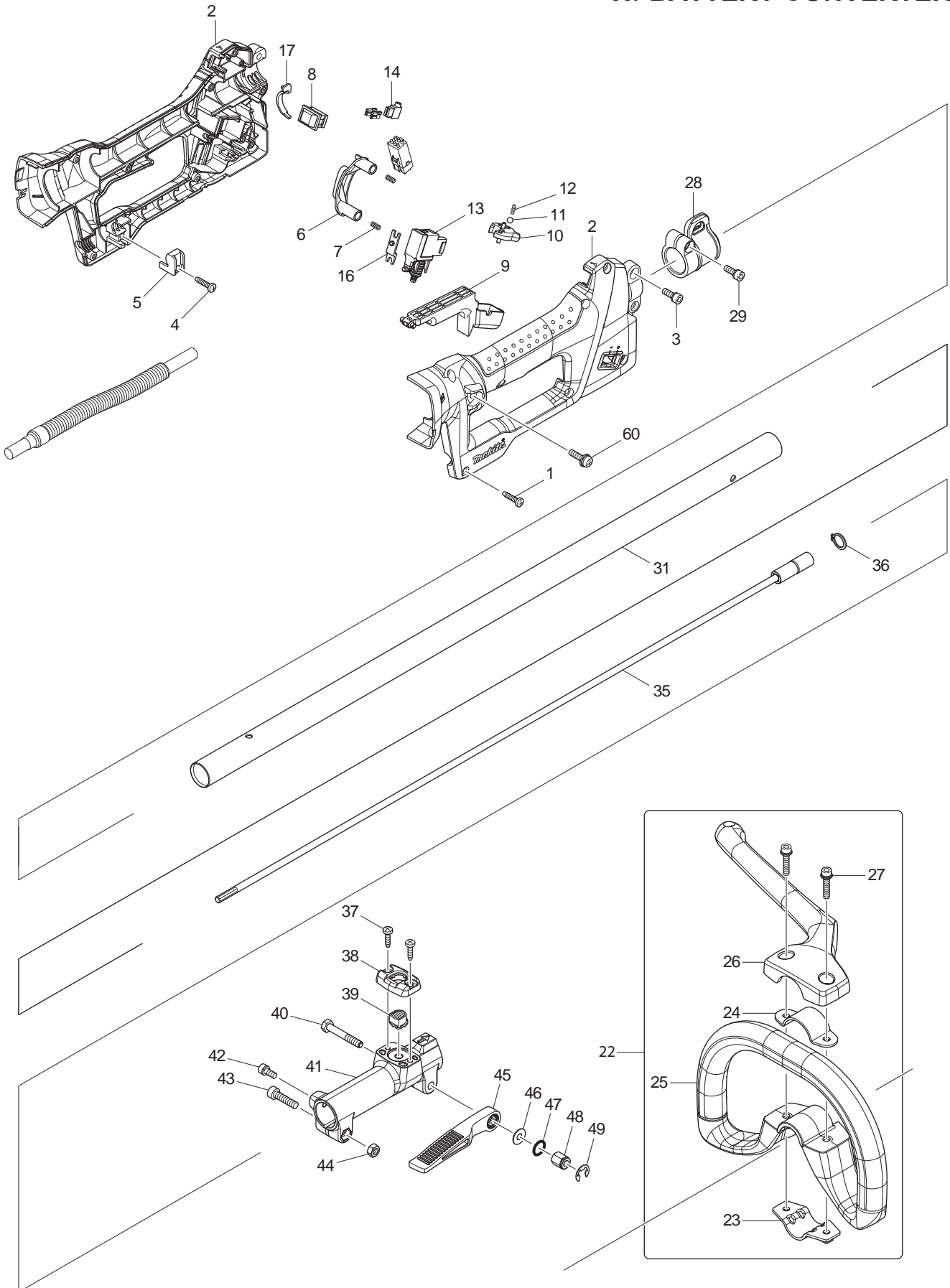
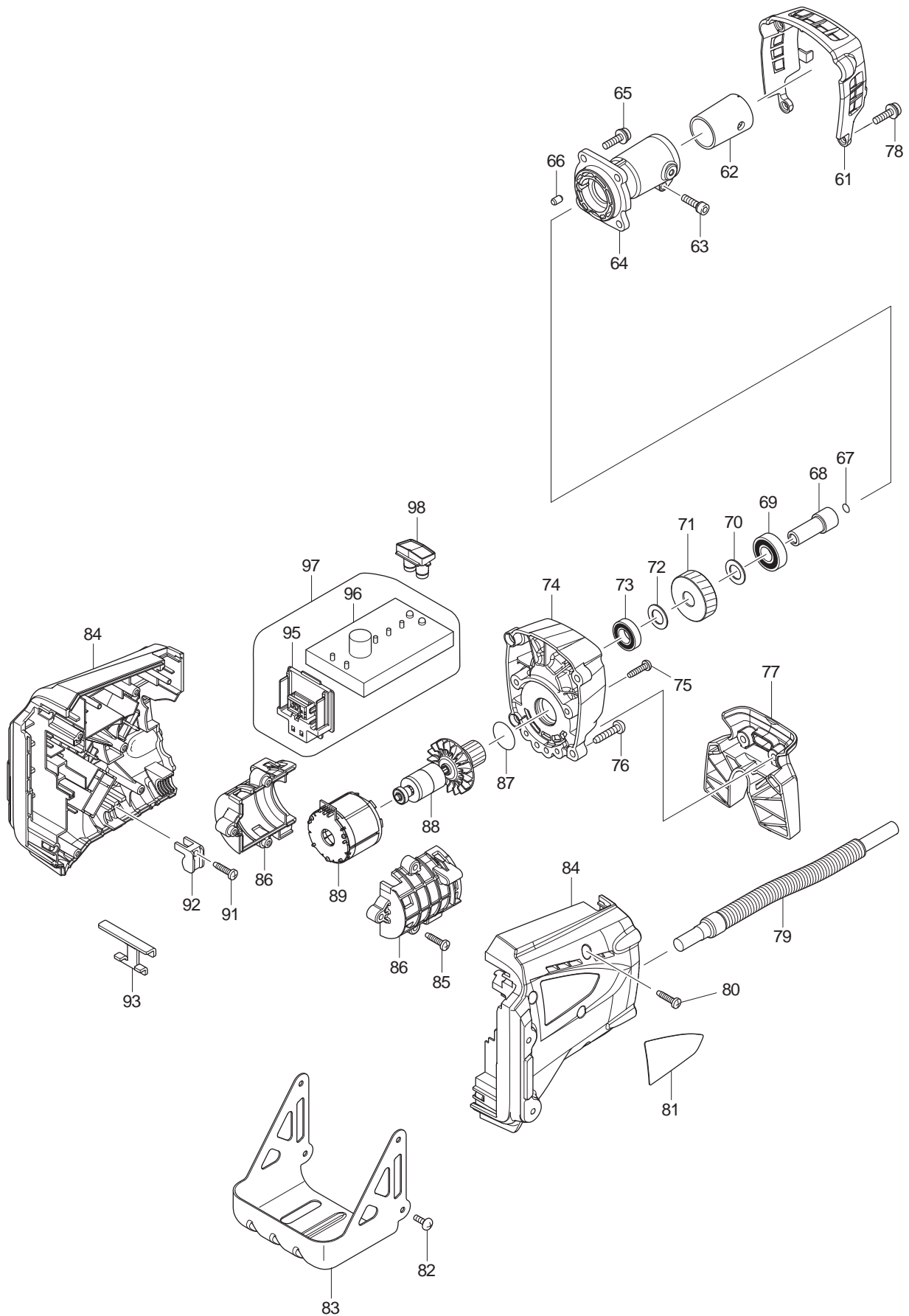




12 - 2013
HXU03ZX2
36V SPLIT SHAFT BRUSH CUTTER
W/ BATTERY CONVERTER





| Item No. | Type | Sub | Part No. | Description | Qty | Unit |
|----------|------|------|----------|-----------------------------|-----|------|
| 1 | | | 265995-6 | TAPPING SCREW 4X18 | 8 | PC. |
| 2 | | | 188841-5 | GRIP SET | 1 | PC. |
| 3 | | | 922228-9 | H.S.H.BOLT M5X18 WITH WR | 1 | PC. |
| 4 | | | 265995-6 | TAPPING SCREW 4X18 | 1 | PC. |
| 5 | | | 687261-5 | STRAIN RELIEF | 1 | PC. |
| 6 | | | 451983-1 | LOCK OFF BUTTON | 1 | PC. |
| 7 | | | 233054-4 | COMPRESSION SPRING 4 | 2 | PC. |
| 8 | | | 651533-4 | SWITCH SLE6A2-33 | 1 | PC. |
| 9 | | | 451984-9 | SWITCH LEVER | 1 | PC. |
| 10 | | | 451986-5 | INDICATOR | 1 | PC. |
| 11 | | | 216018-3 | STEEL BALL 5.0 | 1 | PC. |
| 12 | | | 233211-4 | COMPRESSION SPRING 2 | 1 | PC. |
| 13 | | | 650630-3 | SWITCH TGR3-3 | 1 | PC. |
| 14 | | | 686015-7 | RECEPTACLE SLEEVE | 1 | PC. |
| 16 | | | 451982-3 | LINK PLATE | 1 | PC. |
| 17 | | | 451985-7 | LEAD COVER | 1 | PC. |
| 22 | | | 195515-1 | LOOP HANDLE SET | 1 | PC. |
| | | INC. | | Item No. 23-27 | | |
| 23 | | | 346467-1 | CLAMP 24 | 1 | PC. |
| 24 | | | 346468-9 | CLAMP 33 | 1 | PC. |
| 25 | | | 452841-4 | LOOP HANDLE | 1 | PC. |
| 26 | | | 452842-2 | CLAMP COVER A | 1 | PC. |
| 27 | | | 922244-1 | H.S.H.BOLT M5X25 WITH WG | 2 | PC. |
| 28 | | | 168478-4 | HANGER | 1 | PC. |
| 29 | | | 922228-9 | H.S.H.BOLT M5X18 WITH WR | 1 | PC. |
| 31 | | | 141593-9 | SHAFT PIPE B COMPLETE | 1 | PC. |
| | | INC. | | | | |
| | | | 898752-3 | CAUTION LABEL FR/SP | 1 | PC. |
| 35 | | | 141238-9 | SHAFT B COMPLETE | 1 | PC. |
| 36 | | | 961052-5 | RETAINING RING S-12 | 1 | PC. |
| 37 | | | 266034-5 | TAPPING SCREW CT 4X16 | 2 | PC. |
| 38 | | | 452840-6 | RELEASE BUTTON COVER | 1 | PC. |
| 39 | | | 452839-1 | RELEASE BUTTON | 1 | PC. |
| 40 | | | 265596-0 | HEX.BOLT M6X40 | 1 | PC. |
| 41 | | | 318750-6 | JOINT 24 | 1 | PC. |
| 42 | | | 922211-6 | HEX. SOCKET HEAD BOLT M5X12 | 1 | PC. |
| 43 | | | 922342-1 | HEX. SOCKET HEAD BOLT M6X25 | 1 | PC. |
| 44 | | | 931302-2 | HEX. NUT M6 | 1 | PC. |
| 45 | | | 272268-0 | LEVER 94 | 1 | PC. |
| 46 | | | 253332-6 | THIN WASHER 6 | 1 | PC. |
| 47 | | | 213105-9 | O RING 11 | 1 | PC. |
| 48 | | | 252159-1 | HEX. NUT M6 | 1 | PC. |
| 49 | | | 961014-3 | STOP RING E-8 | 1 | PC. |
| 60 | | | 911233-1 | PAN HEAD SCREW M5X20 | 1 | PC. |
| 61 | | | 451981-5 | GEAR BOX COVER | 1 | PC. |
| 62 | | | 424307-4 | PIPE RUBBER | 1 | PC. |
| 63 | | | 922231-0 | HEX. SOCKET HEAD BOLT M5X20 | 1 | PC. |
| 64 | | | 318560-1 | PIPE BRACKET | 1 | PC. |
| 65 | | | 911233-1 | PAN HEAD SCREW M5X20 | 4 | PC. |
| 66 | | | 263002-9 | RUBBER PIN 4 | 1 | PC. |
| 67 | | | 213045-1 | O-RING 6 | 1 | PC. |
| 68 | | | 325811-5 | SPINDLE HUB | 1 | PC. |
| 69 | | | 211148-5 | BALL BEARING 6001ZZ | 1 | PC. |
| 70 | | | 253744-3 | FLAT WASHER 12 | 1 | PC. |
| 71 | | | 227720-3 | HELICAL GEAR 33 | 1 | PC. |
| 72 | | | 253744-3 | FLAT WASHER 12 | 1 | PC. |
| 73 | | | 211150-8 | BALL BEARING 6901ZZ | 1 | PC. |
| 74 | | | 318559-6 | GEAR BOX | 1 | PC. |
| 75 | | | 265995-6 | TAPPING SCREW 4X18 | 4 | PC. |
| 76 | | | 266041-8 | TAPPING SCREW 5X25 | 4 | PC. |

| Item No. | Type | Sub | Part No. | Description | Qty | Unit |
|----------|------|------|----------|---------------------------|-----|------|
| 77 | | | 451572-2 | STAND | 1 | PC. |
| 78 | | | 911233-1 | PAN HEAD SCREW M5X20 | 2 | PC. |
| 79 | | | 699047-5 | POWER SUPPLY CORD UNIT | 1 | PC. |
| 80 | | | 265995-6 | TAPPING SCREW 4X18 | 5 | PC. |
| 81 | | | 897206-7 | NAME PLATE F/HXU03 | 1 | PC. |
| 82 | | | 251314-2 | + SCREW M4X12 | 4 | PC. |
| 83 | | | 346194-0 | BATTERY GUARD | 1 | PC. |
| 84 | | | 188836-8 | HOUSING SET | 1 | PC. |
| 85 | | | 265995-6 | TAPPING SCREW 4X18 | 3 | PC. |
| 86 | | | 188838-4 | MOTOR HOUSING SET | 1 | PC. |
| 87 | | | 213961-7 | O RING 22 | 1 | PC. |
| 88 | | | 619254-4 | ROTOR | 1 | PC. |
| 89 | | | 629880-1 | STATOR | 1 | PC. |
| 91 | | | 265995-6 | TAPPING SCREW 4X18 | 1 | PC. |
| 92 | | | 687261-5 | STRAIN RELIEF | 1 | PC. |
| 93 | | | 346039-2 | SUPPORT PLATE | 1 | PC. |
| 95 | | | 643849-1 | TERMINAL | 1 | PC. |
| 96 | | | 620018-1 | CONTROLLER | 1 | PC. |
| 97 | | | 620019-9 | CONTROLLER COMPLETE | 1 | PC. |
| | | INC. | | Item No. 95,96 | | |
| 98 | | | 140285-7 | INDICATION PLATE COMPLETE | 1 | PC. |
| C01 | | | 873260-5 | CARTON F/HXU03ZX2 | 1 | PC. |

ACCESSORIES

| | | | | | | |
|-----|---|--|-------------|--|---|-----|
| A01 | | | 125516-5 | BAND ASSEMBLY | 1 | PC. |
| A02 | | | EM 195298-3 | 9" BRUSHCUTTER BLADE 3-POINT 3T 1" | 1 | PC. |
| A03 | | | EM 782210-8 | SOCKET WRENCH 17 | 1 | PC. |
| A04 | | | 783202-0 | HEX. WRENCH 4 | 1 | PC. |
| A05 | | | 831304-7 | ACCESSORY BAG | 1 | PC. |
| A06 | | | EM 451252-0 | TOOL COVER | 1 | PC. |
| A07 | 1 | | 195850-7 | BATTERY CONVERTER BCV02 | 1 | PC. |
| | 2 | | 196810-2 | BATTERY CONVERTER BCV03 | 1 | PC. |
| A10 | | | B-14118 | 9" BRUSHCUTTER BLADE 4-POINT 4T 1" | 1 | PC. |
| A11 | 1 | | EN400MP | HEDGE TRIMMER ATTACHMENT (See Partsbreakdown EN400MP) | 1 | PC. |
| | 2 | | EN401MP | HEDGE TRIMMER ATTACHMENT (See Partsbreakdown EN401MP) | 1 | PC. |
| A12 | | | EY401MP | CHAIN SAW ATTACHMENT (See Partsbreakdown EY401MP) | 1 | PC. |
| A13 | | | KR400MP | CULTIVATE ATTACHMENT (See Partsbreakdown KR400MP) | 1 | PC. |
| A14 | | | LE400MP | SHAFT EXTENTION ATTACHMENT (See Partsbreakdown LE400MP) | 1 | PC. |
| A15 | | | EM401MP | BRUSHCUTTER/LINE TRIMMER ATTCH (See Partsbreakdown EM401MP) | 1 | PC. |
| A16 | | | 194874-0 | 36V LI-ION BATTERY BL3626 | 1 | PC. |
| A17 | | | DC36RA | CHARGER DC36RA | 1 | PC. |