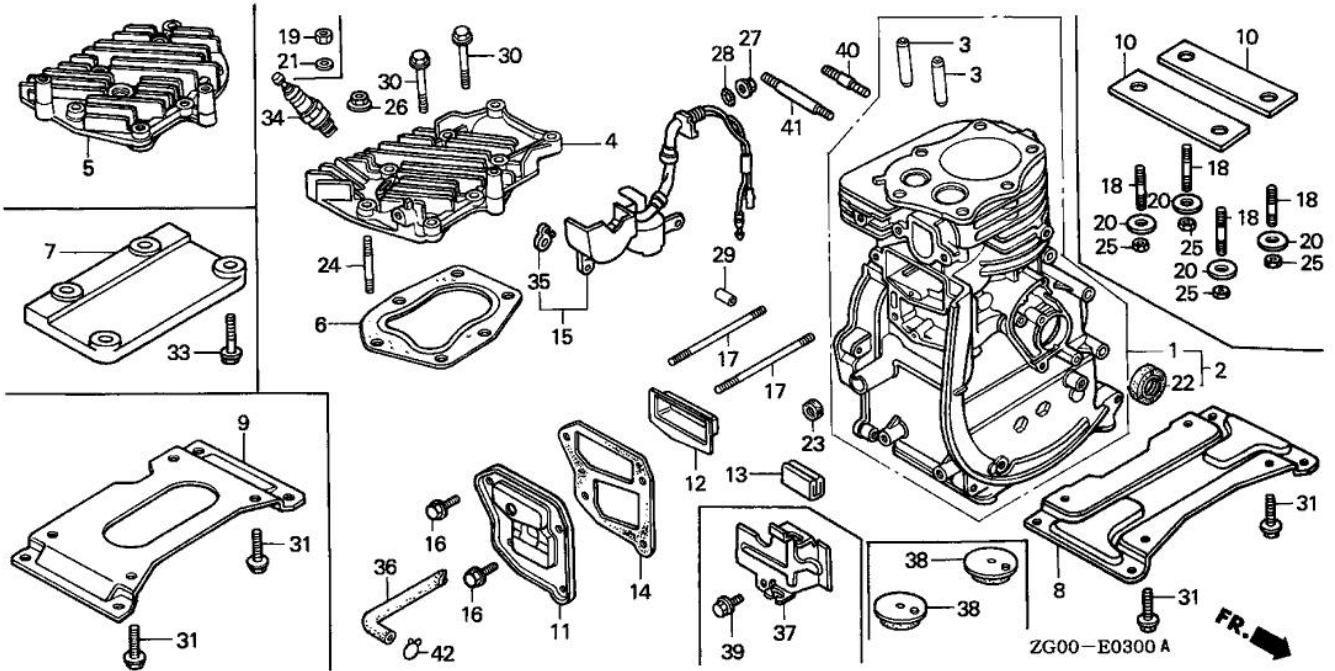


TRU-POWER, INC.

Product Line **GENERAL PURPOSE ENGINE**
Type **QA**

Model Name **G100K2**

Mfg **ENGINE** Illustration **CYLINDER - CYLINDER HEAD**



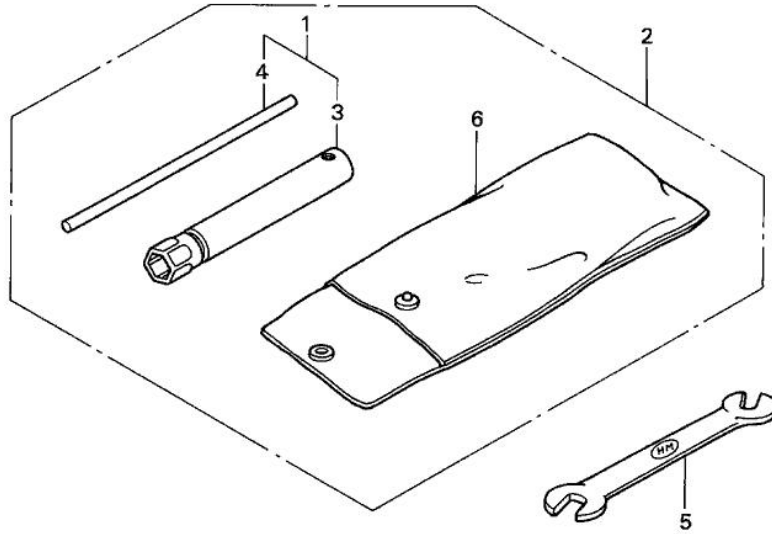
Ref.	Part Number	Part Description	Qty.
002	12000-ZG0-020	CYLINDER ASSY.	001
003	12133-896-306	GUIDE, VALVE (OVER SIZE)	(2)
004	12221-ZG0-030	CYLINDER HEAD	001
006	12281-ZC0-003	GASKET, CYLINDER HEAD	001
008	12351-ZG0-810	BED, ENGINE (Q-TYPE)	(1)
011	12361-ZG0-000	COVER, TAPPET ROOM	001
012	12370-ZG0-000	SEPARATOR (INNER)	001
014	12375-ZG0-010	GASKET, TAPPET COVER	001
016	90002-892-000	BOLT, FLANGE (5X10)	004
017	90041-896-000	BOLT, STUD (5X80)	002
022	91202-892-004	OIL SEAL (17X30X6) (NOK)	001
023	91231-816-000	OIL SEAL (5X10X4)	001
029	94301-08140	PIN, DOWEL (8X14)	002
030	95801-06035-00	BOLT, FLANGE (6X35)	006
031	95701-08018-00	BOLT, FLANGE (8X18)	004
034	98073-54776	SPARK PLUG (BPMR4A) (NGK)	(1)

Section

ENGINE

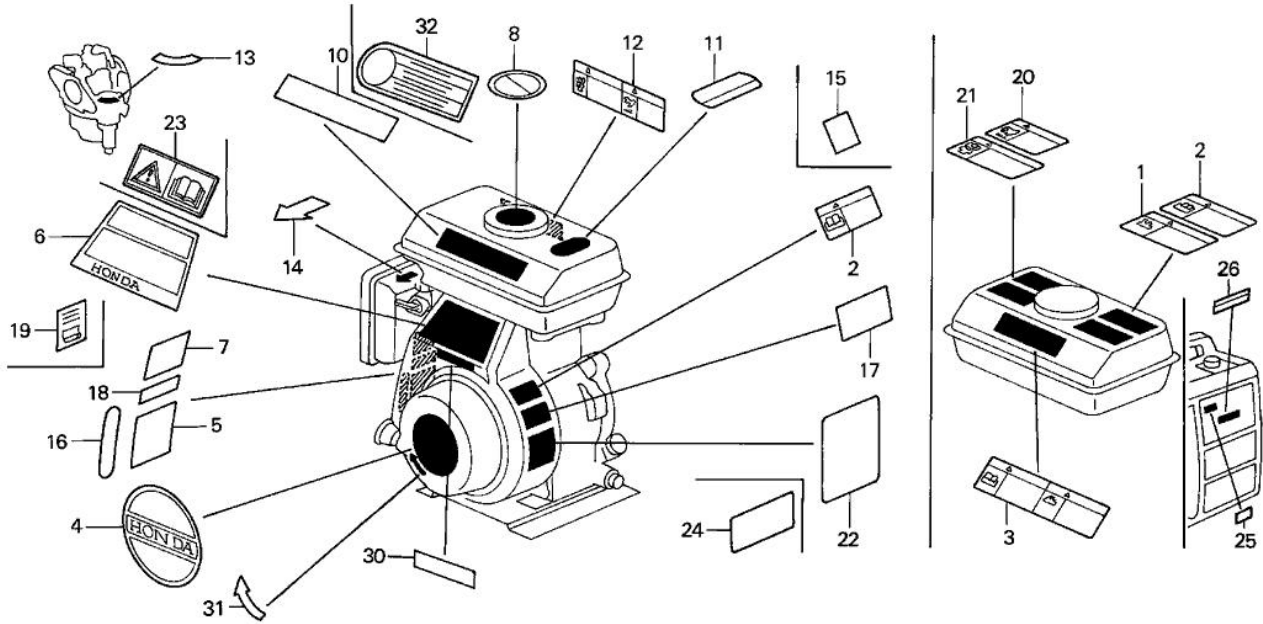
Illustration

TOOLS



ZG00-E2900

Ref.	Part Number	Part Description	Qty.
003	89216-888-000	WRENCH, SPARK PLUG	(1)



ZG00-E2800

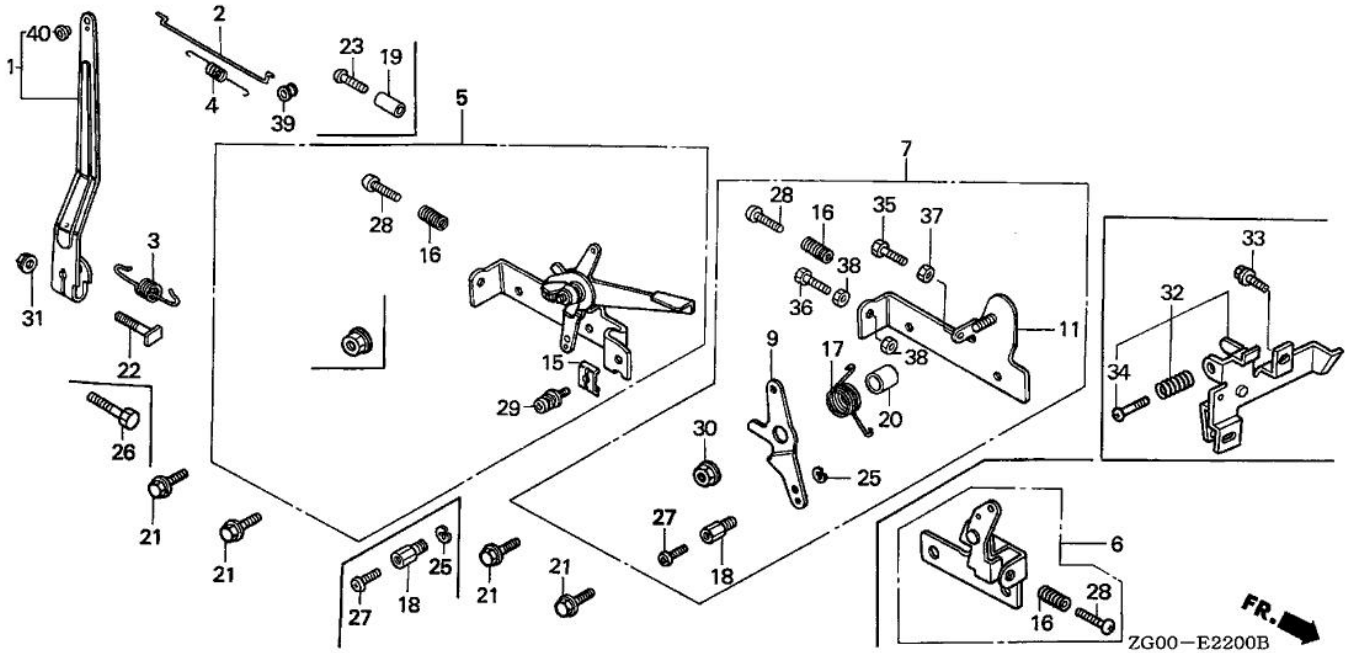
Ref.	Part Number	Part Description	Qty.
004	87521-ZG0-W10	EMBLEM (EXP)	(1)
008	87522-ZE1-810	MARK, CAUTION	001
013	87528-ZG0-810	MARK, PETCOCK (EXTERNAL)	(1)
014	87528-883-661	MARK, CHOKE	001
016	87532-ZG0-810	MARK, THROTTLE (ENGLISH/FRENCH)(GERMAN)	001

Section

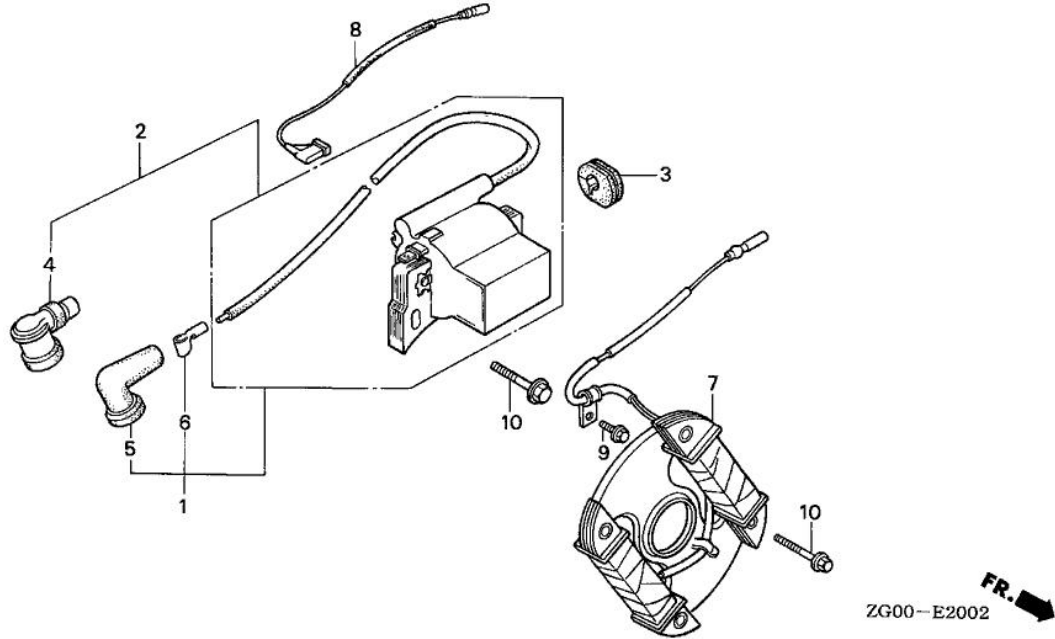
ENGINE

Illustration

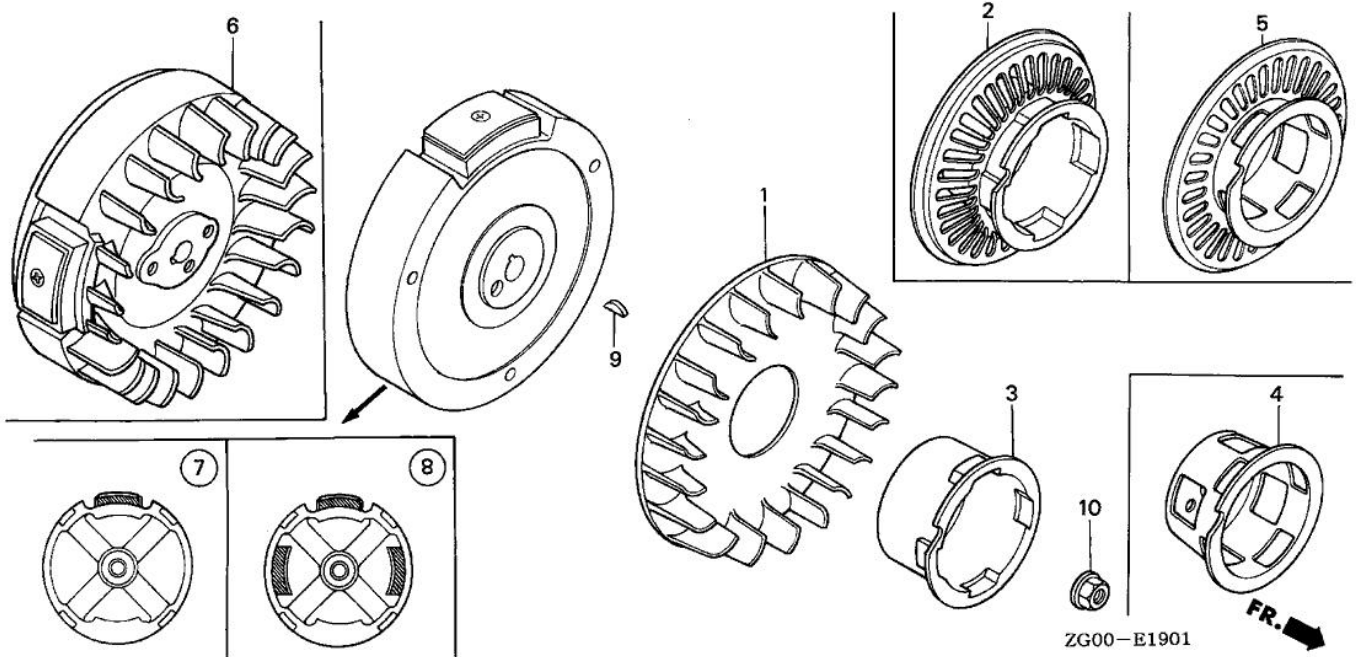
CONTROL (1)



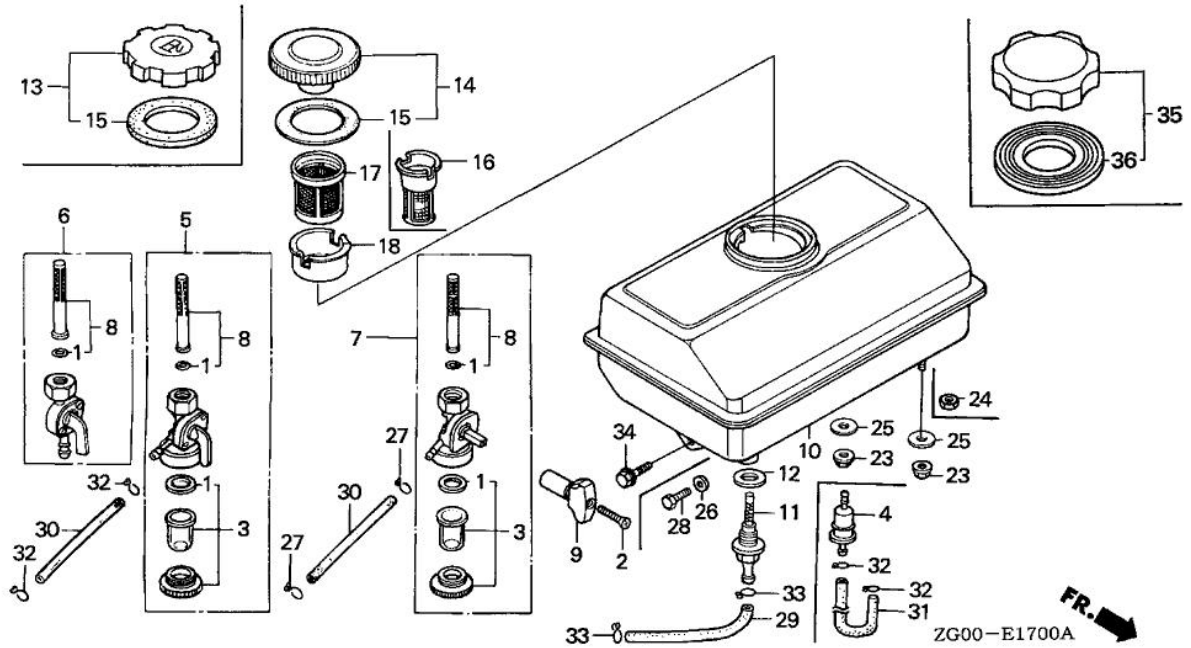
Ref.	Part Number	Part Description	Qty.
001	16551-ZG0-000	ARM, GOVERNOR	001
002	16555-ZG0-000	ROD, GOVERNOR	001
003	16561-ZG0-000	SPRING, GOVERNOR	001
004	16562-ZG0-000	SPRING, THROTTLE RETURN	001
005	16570-ZG0-W00	CONTROL ASSY. (STD)	(1)
015	16576-891-000	HOLDER, CABLE	001
016	16584-883-300	SPRING, CONTROL ADJUSTING	001
021	90013-883-000	BOLT, FLANGE (6X12) (CT200)	002
022	90015-ZE5-010	BOLT, GOVERNOR ARM	001
025	90605-230-000	CIRCLIP (5MM)	(1)
027	93500-04006-0H	SCREW, PAN (4X6)	(1)
027	93500-04008-0A	SCREW, PAN (4X8)	(1)
028	93500-05025-0A	SCREW, PAN (5X25)	001
029	93500-05016-0A	SCREW, PAN (5X16)	001
031	94050-06000	NUT, FLANGE (6MM)	001



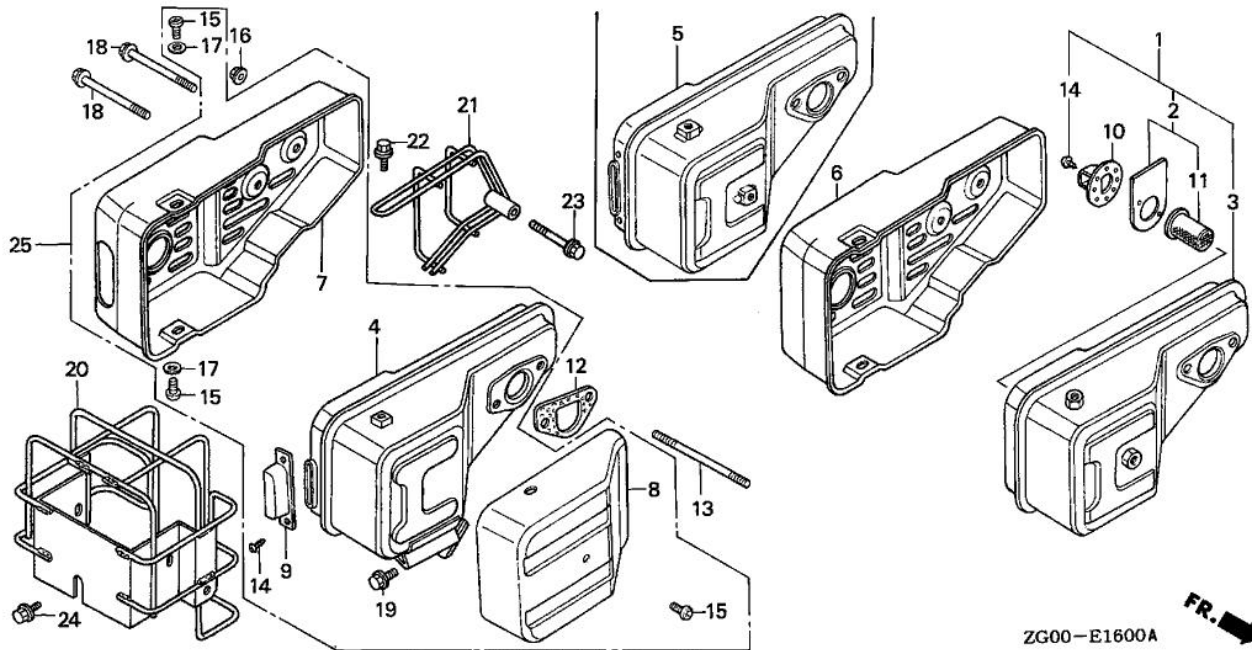
Ref.	Part Number	Part Description	Qty.
001	30500-ZG0-W01	COIL ASSY., IGNITION	001
003	30563-ZG0-000	GROMMET, IGNITION WIRE	001
005	30701-888-014	CAP, IGNITION (TOYO)	001
006	30702-888-003	TERMINAL, PLUG	001
008	36101-883-S70	WIRE, STOP SWITCH	001
010	90121-952-000	BOLT, FLANGE (6X25) (CT200)	002



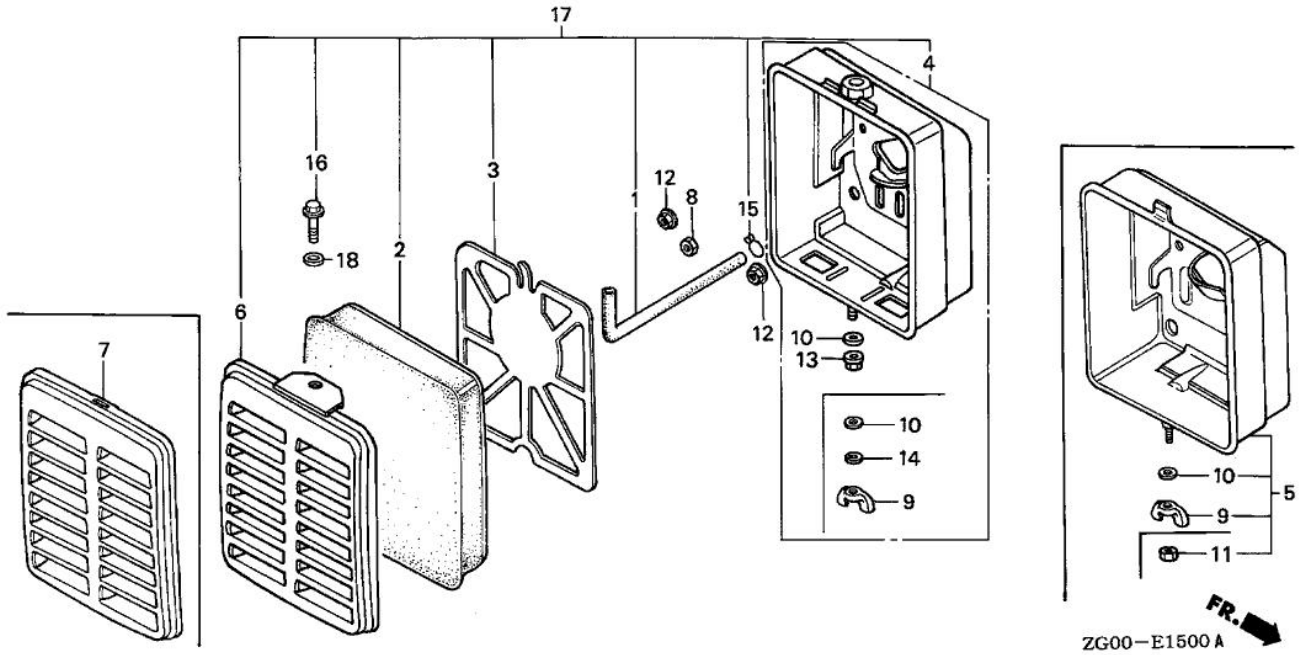
Ref.	Part Number	Part Description	Qty.
001	19511-ZG0-W00	FAN, COOLING	001
002	28450-ZG0-810	PULLEY, STARTER	001
007	31100-ZG0-010	FLYWHEEL	001
009	90741-035-000	KEY, WOODRUFF (3MM)	001
010	94050-12000	NUT, FLANGE (12MM)	001



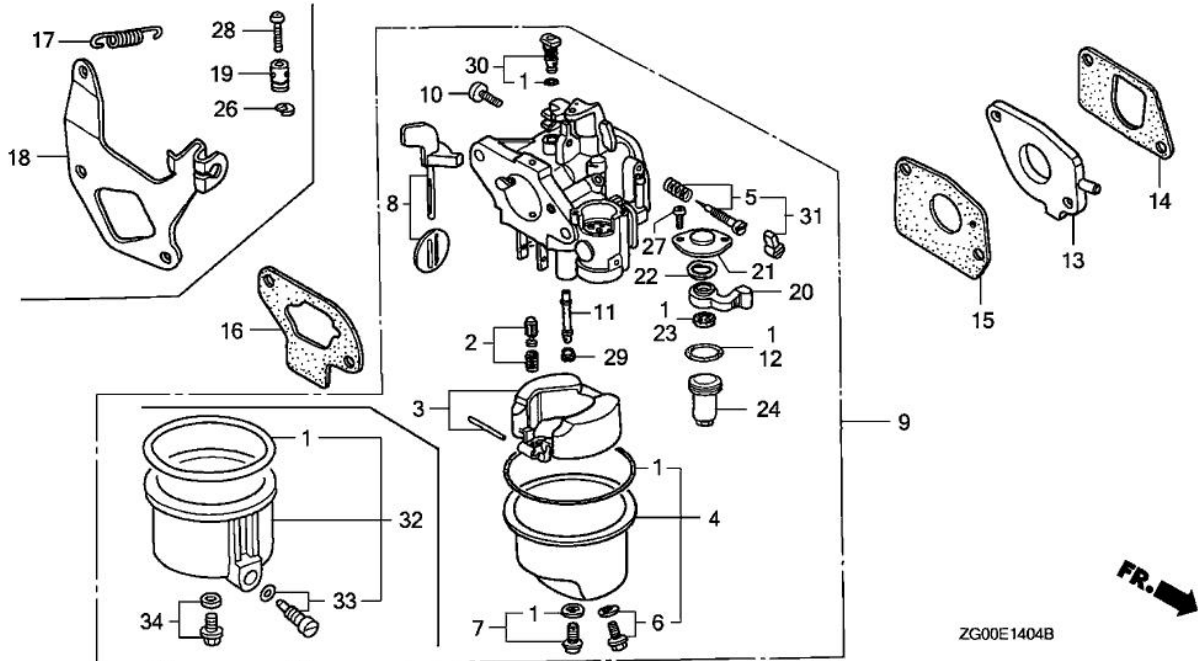
Ref.	Part Number	Part Description	Qty.
010	17510-ZG0-W00ZA	TANK, FUEL *NH31*(MCKINLEY WHITE)	001
011	16955-ZE1-010	JOINT, FUEL TANK	001
012	91353-671-003	O-RING (13.5X1.5) (ARAI)	001
012	91353-671-004	O-RING (14MM) (NOK)	001
013	17620-ZH7-023	CAP, FUEL FILLER (BLACK)	001
014	17620-402-010	CAP, FUEL FILLER	001
015	17631-329-003	GASKET, FUEL FILLER CAP (39X58X3)	001
015	17631-ZH7-003	GASKET, FUEL FILLER CAP (39X58X3)	001
016	17672-ZE2-W01	FILTER, FUEL	001
023	94050-06000	NUT, FLANGE (6MM)	002
029	95001-45003-60M	BULK HOSE, FUEL (4.5X3000) OEM CUT SIZE: (4.5X55)	001
033	95002-02080	CLIP, TUBE (B8)	002
034	95701-06014-00	BOLT, FLANGE (6X14)	001



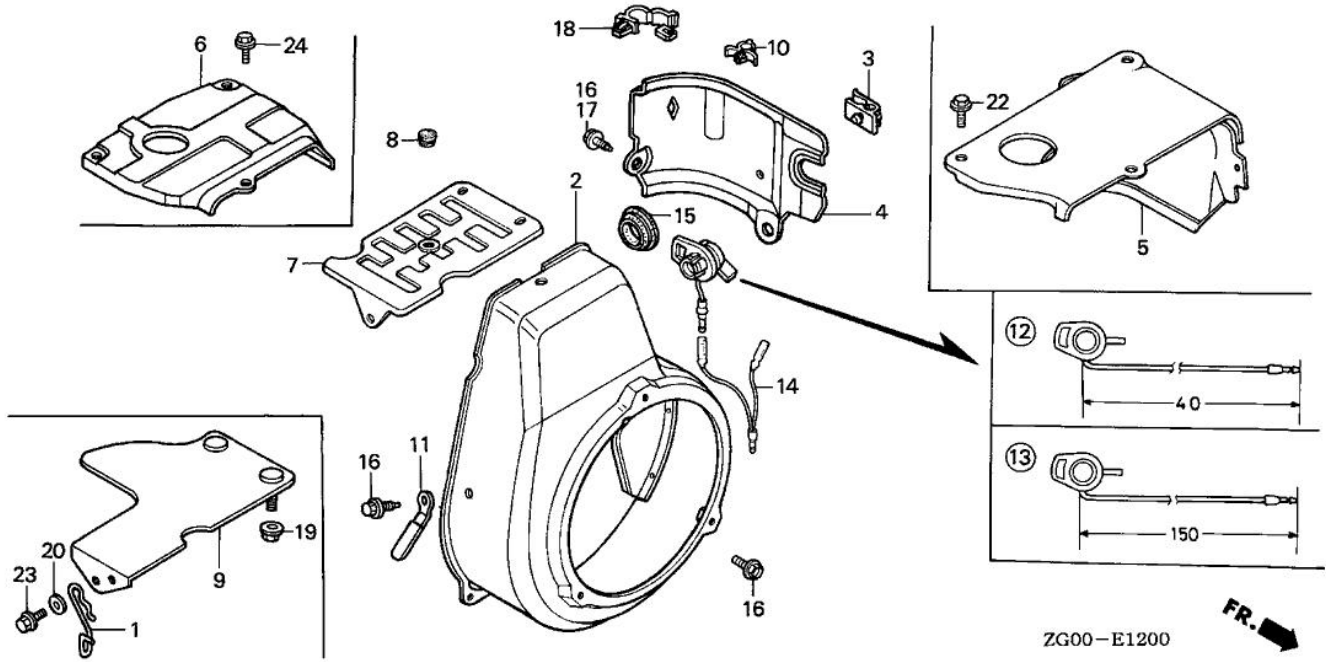
Ref.	Part Number	Part Description	Qty.
003	18310-ZG0-S00	MUFFLER	(1)
006	18320-ZG0-000	PROTECTOR, MUFFLER	(1)
008	18321-896-000	SEPARATOR, MUFFLER	001
010	18331-896-620	DEFLECTOR, MUFFLER	(1)
012	18381-ZG0-800	GASKET, MUFFLER	001
013	90046-ZG0-000	BOLT, STUD (6X50)	002
014	90002-ZG0-003	SCREW, TAPPING (4X8)	(2)
015	93500-06006-0A	SCREW, PAN (6X6)	(3)
016	94050-06000	NUT, FLANGE (6MM)	002



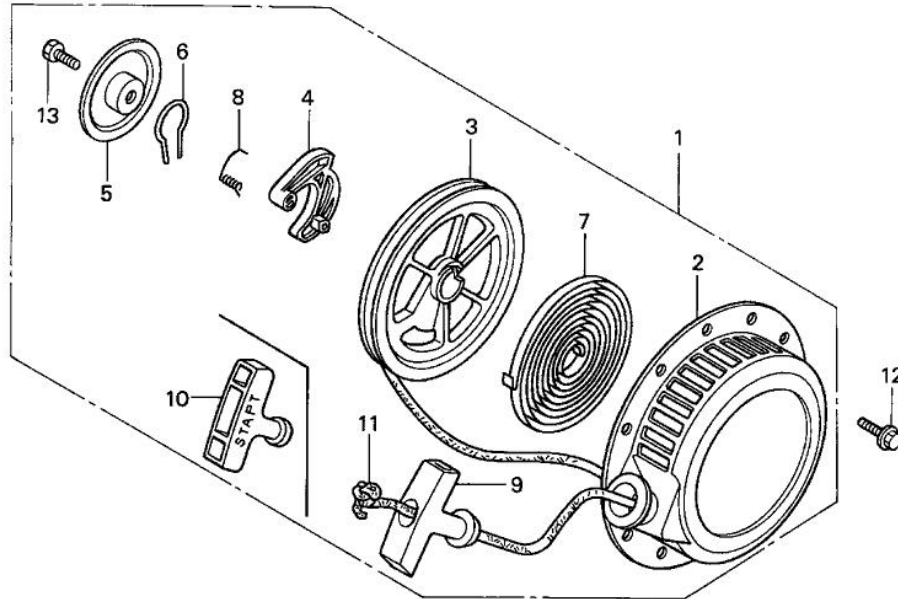
Ref.	Part Number	Part Description	Qty.
001	15721-896-010	TUBE, BREATHER	001
002	17211-896-000	ELEMENT, AIR CLEANER	001
003	17212-896-000	GRID, AIR CLEANER	001
005	17220-ZG0-000	HOUSING, AIR CLEANER	001
007	17231-ZG0-000	COVER, AIR CLEANER	001
009	90325-044-000	NUT, TOOL BOX SETTING	001
010	94101-06800	WASHER, PLAIN (6MM)	001
012	94050-05000	NUT, FLANGE (5MM)	002



Ref.	Part Number	Part Description	Qty.
001	16010-ZG0-812	GASKET SET (CARBURETOR NO.)	001
002	16011-ZE0-005	VALVE SET, FLOAT (SEAT NOT INCLUDED)	001
003	16013-ZG0-811	FLOAT SET	001
004	16015-ZG0-811	CHAMBER SET, FLOAT (CARBURETOR NO.)	001
005	16016-ZE0-005	SCREW SET, PILOT (CARBURETOR NO.)	001
006	16024-ZE1-811	SCREW SET, DRAIN (CARBURETOR NO.)	001
007	16028-ZG0-811	SCREW SET (CARBURETOR NO.)	001
007	16028-ZW6-611	SCREW SET	001
008	16044-ZG0-W00	CHOKE SET	(1)
009	16100-ZG0-W32	CARBURETOR ASSY. (BF11C C)	001
010	16124-ZE0-005	SCREW, THROTTLE STOP	001
011	16166-ZG0-W20	NOZZLE, MAIN (CARBURETOR NO.)	(1)
012	16173-ZG0-811	O-RING	001
013	16211-ZG0-020	INSULATOR, CARBURETOR	001
014	16212-ZG0-800	GASKET, INSULATOR	001
015	16221-ZG0-801	GASKET, CARBURETOR	001
016	16269-ZG0-800	GASKET, AIR CLEANER	001
020	16953-ZG0-812	LEVER, PETCOCK (CARBURETOR NO.)	001
020	16953-ZG0-812	LEVER, PETCOCK (CARBURETOR NO.)	001
021	16954-ZE1-812	PLATE, LEVER SETTING (CARBURETOR NO.)	001
021	16954-ZE1-812	PLATE, LEVER SETTING (CARBURETOR NO.)	001
022	16956-ZE1-811	SPRING, PETCOCK LEVER	001
023	16957-ZE1-812	GASKET, PETCOCK	001
024	16967-ZG0-811	CUP, FUEL STRAINER	001
027	93500-03006-0G	SCREW, PAN (3X6)	002
027	93500-03006-0H	SCREW, PAN (3X6)	002
029	99101-187-0550	JET, MAIN (#55) (CARBURETOR NO.)	(1)
029	99101-187-0580	JET, MAIN (#58) (CARBURETOR NO.)	(1)
029	99101-ZG0-0520	JET, MAIN (#52) (CARBURETOR NO.)	(1)
029	99101-ZG0-0550	JET, MAIN (#55) (CARBURETOR NO.)	(1)
030	99204-ZE2-0380	JET SET, PILOT (#38) (CARBURETOR NO.)	001
030	99204-ZE2-0400	JET SET, PILOT (#40) (CARBURETOR NO.)	001



Ref.	Part Number	Part Description	Qty.
002	19610-ZG0-000ZA	COVER, FAN *R8*(BRIGHT RED)	001
004	19631-ZG0-000	SHROUD	001
012	36100-ZE1-015	SWITCH ASSY., ENGINE STOP	001
016	90013-883-000	BOLT, FLANGE (6X12) (CT200)	004
017	90013-883-000	BOLT, FLANGE (6X12) (CT200)	001
018	90652-SB2-023	CLIP, TUBE (7MM)	001



ZG00-E1102

Ref.	Part Number	Part Description	Qty.
001	28400-ZG0-004ZG	STARTER ASSY., RECOIL *R280*(POWER RED)	001
002	28410-ZG0-014ZG	CASE, RECOIL STARTER *R280*(POWER RED)	001
003	28420-ZG0-004	REEL, RECOIL STARTER	001
004	28422-896-010	RATCHET, STARTER	001
005	28431-896-000	PLATE, FRICTION	001
006	28441-896-000	SPRING, FRICTION	001
007	28442-ZE6-003	SPRING, RECOIL STARTER	001
008	28443-896-000	SPRING, RETURN	001
010	28461-ZH8-013	KNOB, RECOIL STARTER	001
011	28462-ZG0-004	ROPE, RECOIL STARTER	001
012	95701-06008-00	BOLT, FLANGE (6X8)	003
013	92101-06012-0H	BOLT, HEX. (6X12)	001

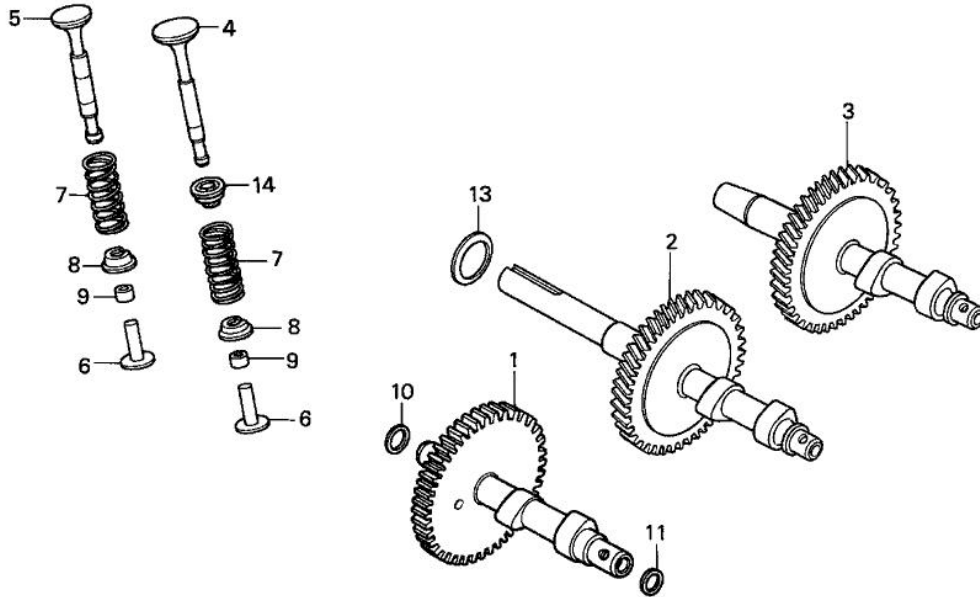
(N/A: USE P/N 08540-ZG921-11)


Section

ENGINE

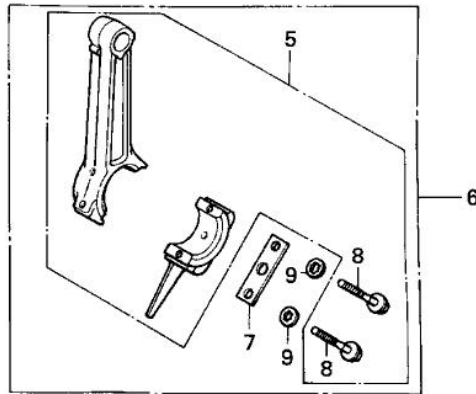
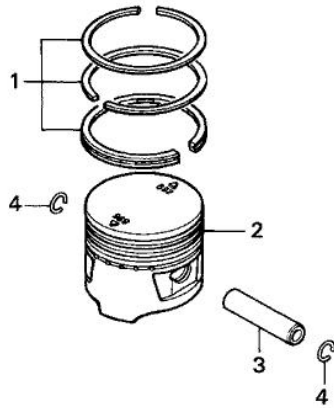
Illustration

CAMSHAFT



FR. 
ZG00-E0900

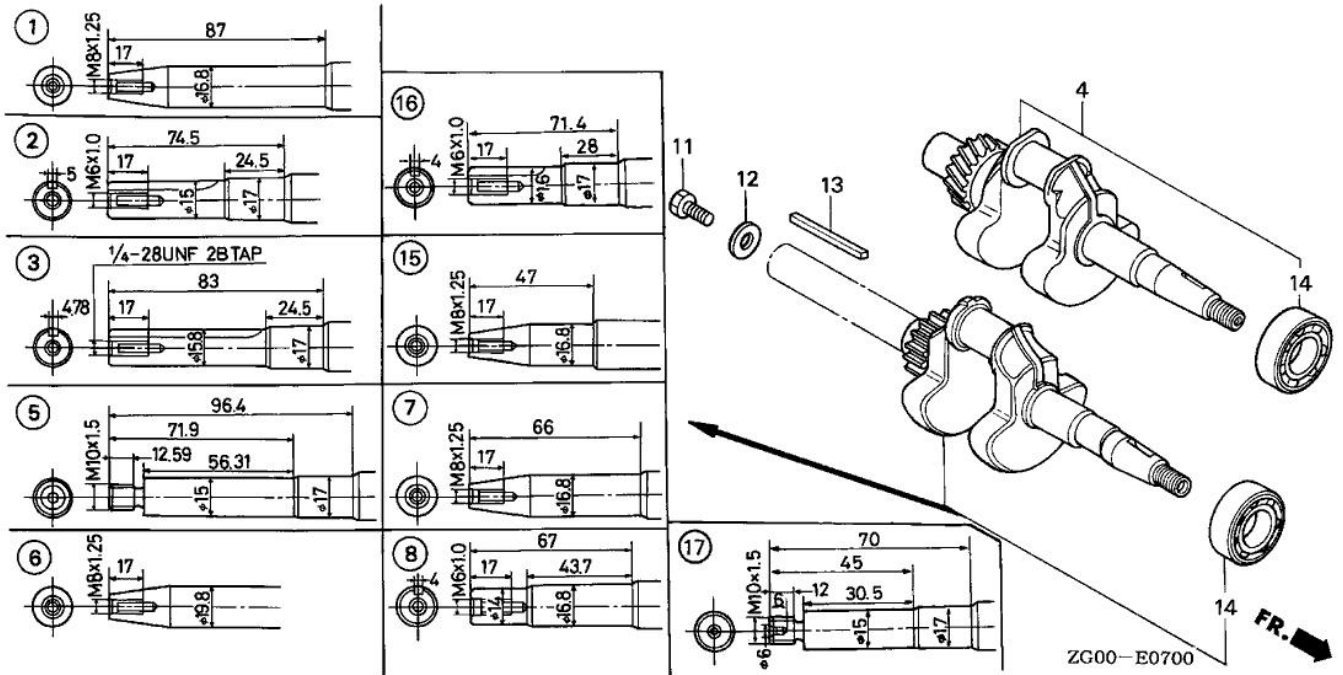
Ref.	Part Number	Part Description	Qty.
001	14111-ZC0-000	CAMSHAFT	001
004	14711-ZG1-000	VALVE, IN.	001
004	14711-ZG1-H10	VALVE, IN.	001
005	14721-ZG1-000	VALVE, EX.	001
006	14732-ZA8-000	LIFTER, VALVE	002
007	14751-896-000	SPRING, VALVE	002
008	14771-ZG0-000	RETAINER, VALVE SPRING	002
009	14801-892-000	ADJUSTER, TAPPET CLEARANCE (3.15)	002
009	14803-892-000	ADJUSTER, TAPPET CLEARANCE (3.25)	002
009	14806-892-000	ADJUSTER, TAPPET CLEARANCE (3.34)	002
009	14809-892-000	ADJUSTER, TAPPET CLEARANCE (3.43)	002
009	14812-892-000	ADJUSTER, TAPPET CLEARANCE (3.52)	002
009	14815-892-000	ADJUSTER, TAPPET CLEARANCE (3.61)	002
009	14818-892-000	ADJUSTER, TAPPET CLEARANCE (3.72)	002
009	14820-892-000	ADJUSTER, TAPPET CLEARANCE (3.82)	002
010	90452-ZG0-000	WASHER (12MM)	001
011	90452-ZG0-000	WASHER (12MM)	001



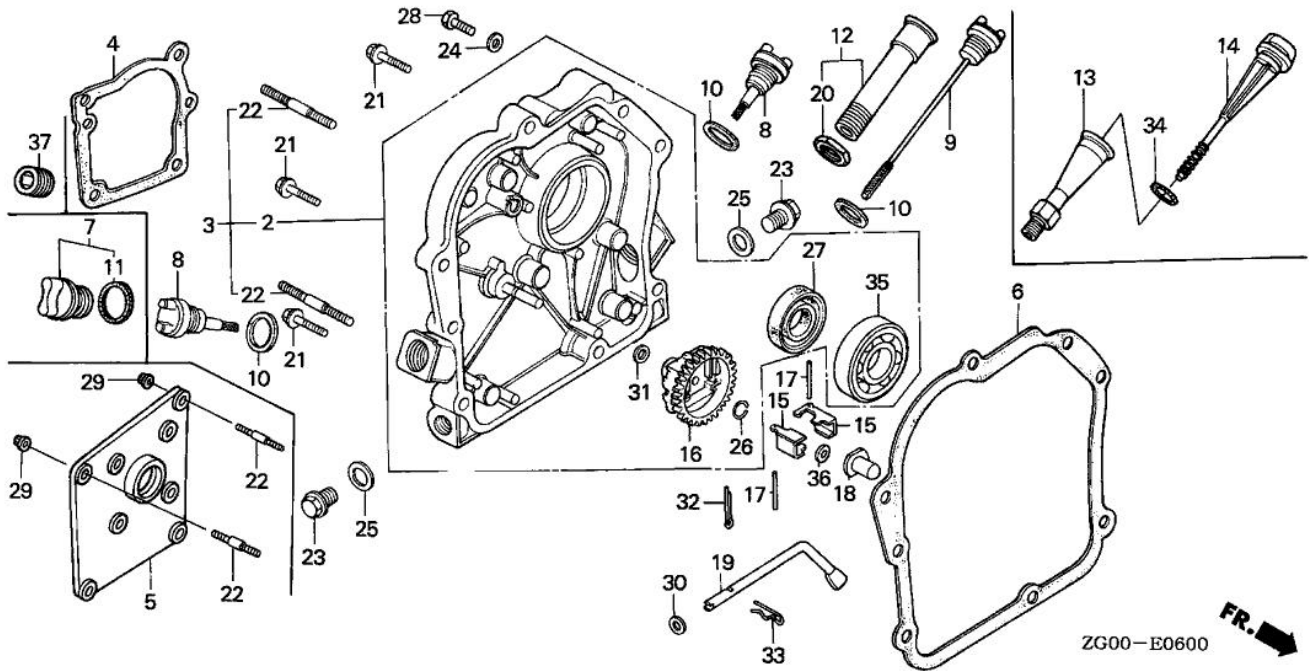
ZG00-E0800



Ref.	Part Number	Part Description	Qty.
001	13010-ZC0-003	RING SET, PISTON (STD)	001
001	13011-ZC0-003	RING SET, PISTON (0.25)	(1)
001	13012-ZC0-003	RING SET, PISTON (0.50)	(1)
001	13013-ZC0-003	RING SET, PISTON (0.75)	(1)
002	13101-ZC0-003	PISTON (STD)	001
002	13102-ZC0-003	PISTON (0.25)	(1)
002	13103-ZC0-003	PISTON (0.50)	(1)
002	13104-ZC0-003	PISTON (0.75)	(1)
003	13111-892-000	PIN, PISTON	001
004	13115-147-000	CLIP, PISTON PIN (10MM)	002
005	13200-ZG0-000	ROD ASSY., CONNECTING (STD)	001
005	13200-ZG0-305	ROD ASSY., CONNECTING (0.25 LOWER SIZE)	(NOT AVAILA... (1)
008	90001-ZG0-000	BOLT, CONNECTING ROD	002



Ref.	Part Number	Part Description	Qty.
003	13310-ZG0-601	CRANKSHAFT (Q-TYPE)	001
013	90745-ZE1-600	KEY (4.78X4.78X38)	(1)
014	96100-62030-00	BEARING, RADIAL BALL (6203)	001



Ref.	Part Number	Part Description	Qty.
002	11300-ZG0-010	COVER ASSY., CRANKCASE	001
006	11381-ZG0-800	GASKET, CASE COVER	001
007	15600-ZG4-003	CAP ASSY., OIL FILLER	001
008	15620-ZG0-003	CAP, OIL FILLER	001
010	15625-ZE1-003	GASKET, OIL FILLER CAP	001
011	15625-ZE1-003	GASKET, OIL FILLER CAP	001
015	16511-896-000	WEIGHT, GOVERNOR	002
016	16512-ZG0-000	HOLDER, GOVERNOR WEIGHT	001
017	16513-ZE1-000	PIN, GOVERNOR WEIGHT	002
018	16531-ZG0-000	SLIDER, GOVERNOR	001
019	16541-896-000	SHAFT, GOVERNOR ARM	001
021	90015-883-000	BOLT, FLANGE (6X28) (CT200)	006
023	90131-ZE1-000	BOLT, DRAIN PLUG	002
025	90601-ZE1-000	WASHER, DRAIN PLUG (10.2MM)	002
026	90602-ZE1-000	CLIP, GOVERNOR HOLDER	001
027	91202-892-004	OIL SEAL (17X30X6) (NOK)	001
030	94101-05000	WASHER, PLAIN (5MM)	001
031	94101-06800	WASHER, PLAIN (6MM)	001
033	94251-08000	PIN, LOCK (8MM)	001
035	96100-62030-00	BEARING, RADIAL BALL (6203)	001