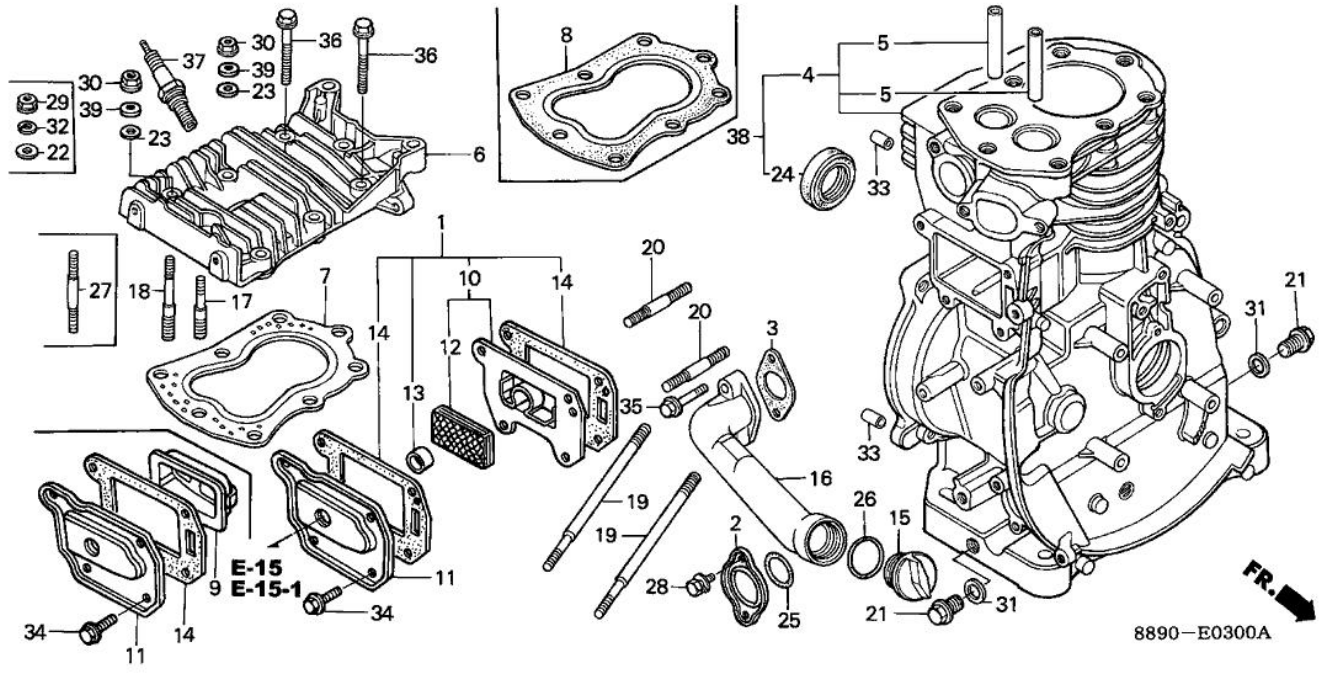


TRU-POWER, INC.

Model Name	G300	Product Line	GENERAL PURPOSE ENGINE
Mfg		Type	VB6
Section	ENGINE	Illustration	CYLINDER

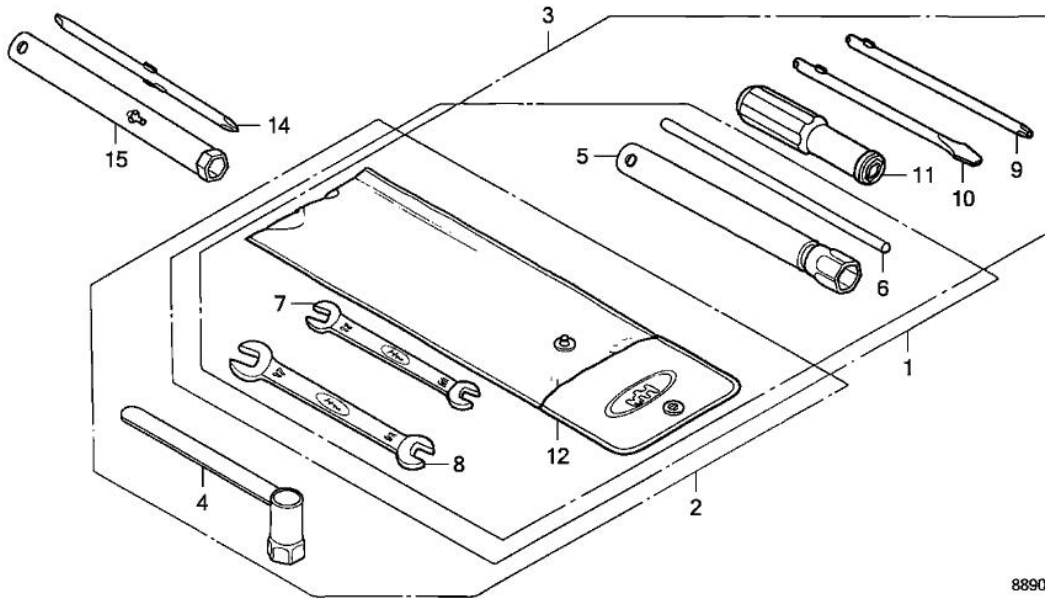


Ref.	Part Number	Part Description	Qty.
001	06123-889-305	CASE KIT, BREATHER (NOT AVAILABLE)	(1)
002	11210-822-010	COVER, OIL PAN HOLE	001
003	11211-822-000	GASKET, OIL PAN HOLE COVER (NOT AVAILABLE)	(1)
004	12100-889-335	CYLINDER (CRANKSHAFT P.T.O.)	001
004	12100-889-335	CYLINDER (CRANKSHAFT P.T.O.)	001
004	12100-889-345	CYLINDER	001
005	12134-889-305	GUIDE, VALVE	(2)
006	12221-889-305	CYLINDER HEAD	001
006	12221-889-315	CYLINDER HEAD (NOT AVAILABLE)	001
008	12281-889-315	GASKET, CYLINDER HEAD	001
009	12360-889-010	CASE, BREATHER	001
010	12360-889-010	CASE, BREATHER	001
011	12361-889-000	COVER, TAPPET ROOM	001
012	12367-883-003	FILTER, BREATHER	001
013	12369-883-000	SEAL, BREATHER	001
014	12375-889-000	GASKET, TAPPET COVER	001
014	12375-889-000	GASKET, TAPPET COVER	002
015	15611-921-000	CAP, OIL (YELLOW)	(1)
016	15632-890-000	PIPE, OIL	(1)
016	15632-890-010	PIPE, OIL (NOT AVAILABLE)	(1)
017	90032-889-000	BOLT, STUD (M8XM10X63)	002
018	90033-889-000	BOLT, STUD (M8XM10X81)	001
019	90042-890-010	BOLT, STUD (8X110)	002
019	90042-890-680	BOLT, STUD (8X104)	002
020	90047-883-000	BOLT, STUD (8X35)	002
021	90131-896-650	BOLT, DRAIN PLUG (12X15)	002
022	90402-822-000	WASHER, HEAD (8MM)	001
023	90430-657-000	WASHER (23X8.3X3.2)	003
024	91202-883-005	OIL SEAL (25X41X6)	001
025	91301-028-000	O-RING (27X2.0)	001
026	91301-805-000	O-RING (26X2.7)	(1)
027	92700-08065-3B	BOLT, STUD (8X65)	001

Ref.	Part Number	Part Description	Qty.
027	92700-08080-3B	BOLT, STUD (8X80) (NOT AVAILABLE)	001
027	92700-08080-3B	BOLT, STUD (8X80) (NOT AVAILABLE)	001
028	93402-06012-08	BOLT-WASHER (6X12)	002
029	94050-08080	NUT, FLANGE (8MM)	001
030	94071-08080	NUT-WASHER (8MM)	003
031	94109-12000	WASHER, DRAIN PLUG (12MM)	002
032	94111-08000	WASHER, SPRING (8MM)	001
033	94301-08140	PIN, DOWEL (8X14)	002
034	95701-06012-08	BOLT, FLANGE (6X12)	004
035	95700-06025-08	BOLT, FLANGE (6X25)	(2)
035	95701-06025-08	BOLT, FLANGE (6X25)	(2)
036	95730-08050-08	BOLT, FLANGE (8X50) (NOT AVAILABLE)	005
036	95730-08050-08	BOLT, FLANGE (8X50) (NOT AVAILABLE)	007
037	98076-54710	SPARK PLUG (B-4H) (NGK)	(1)
037	98076-54716	SPARK PLUG (BR-4HS) (NGK)	(1)
037	98076-54720	SPARK PLUG (W14F-U) (DENSO)	(1)
037	98076-54757	SPARK PLUG (W14FR-U)	(1)
037	98076-54917	SPARK PLUG (BPR4HS-10)	(1)
037	98076-54919	SPARK PLUG (BP4HS-10)	(1)
037	98076-54921	SPARK PLUG (W14FP-UL10) (DENSO)	(1)
037	98076-54954	SPARK PLUG (W14FPR-UL10) (DENSO)	(1)
037	98076-56724	SPARK PLUG (W20FS-U) (DENSO)	(1)
037	98076-56927	SPARK PLUG (W20FPR-U10) (DENSO)	(1)

TRU-POWER, INC.

Model Name	G300	Product Line	GENERAL PURPOSE ENGINE
Mfg		Type	VB6
Section	ENGINE	Illustration	TOOL

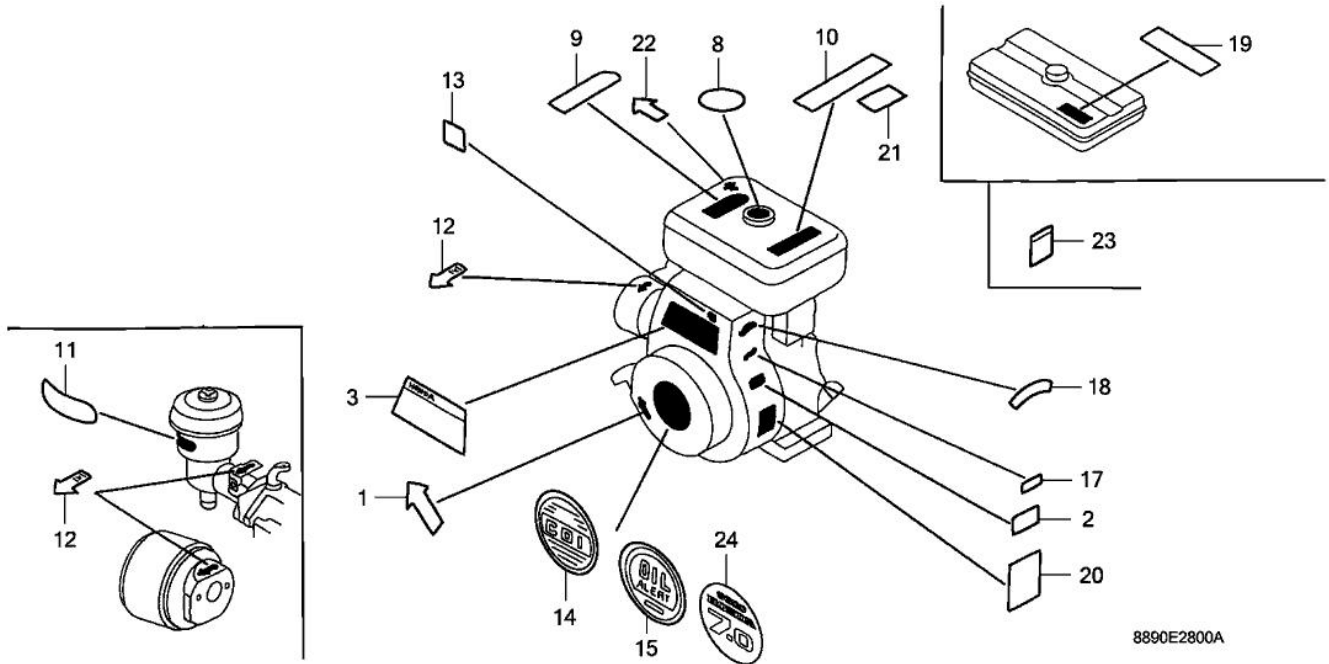


8890E2900B

Ref.	Part Number	Part Description	Qty.
005	89216-809-000	WRENCH, SPARK PLUG	001

TRU-POWER, INC.

Model Name	G300	Product Line	GENERAL PURPOSE ENGINE
Mfg		Type	VB6
Section	ENGINE	Illustration	LABEL

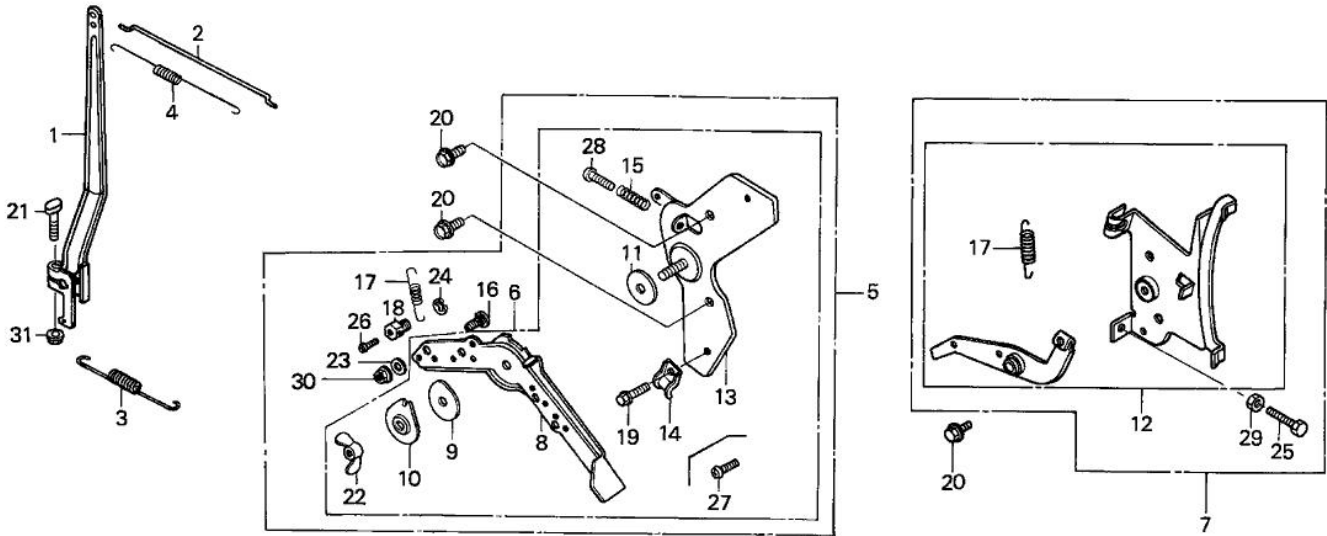


8890E2800A

Ref.	Part Number	Part Description	Qty.
001	87103-883-000	MARK, STARTING (NOT AVAILABLE)	001
003	87521-889-600	EMBLEM (ENGLISH/FRENCH/SPANISH)	001
003	87521-889-601	EMBLEM (ENGLISH/FRENCH/SPANISH) (NOT AVAILABLE)	001
009	87522-883-660	MARK, CAUTION (ENGLISH/FRENCH/SPANISH)	001
012	87528-883-661	MARK, CHOKE	001
014	87530-889-000	MARK, C.D.I.	001
020	87594-883-000	MARK, OIL CAUTION	001

TRU-POWER, INC.

Model Name	G300	Product Line	GENERAL PURPOSE ENGINE
Mfg		Type	VB6
Section	ENGINE	Illustration	CONTROL



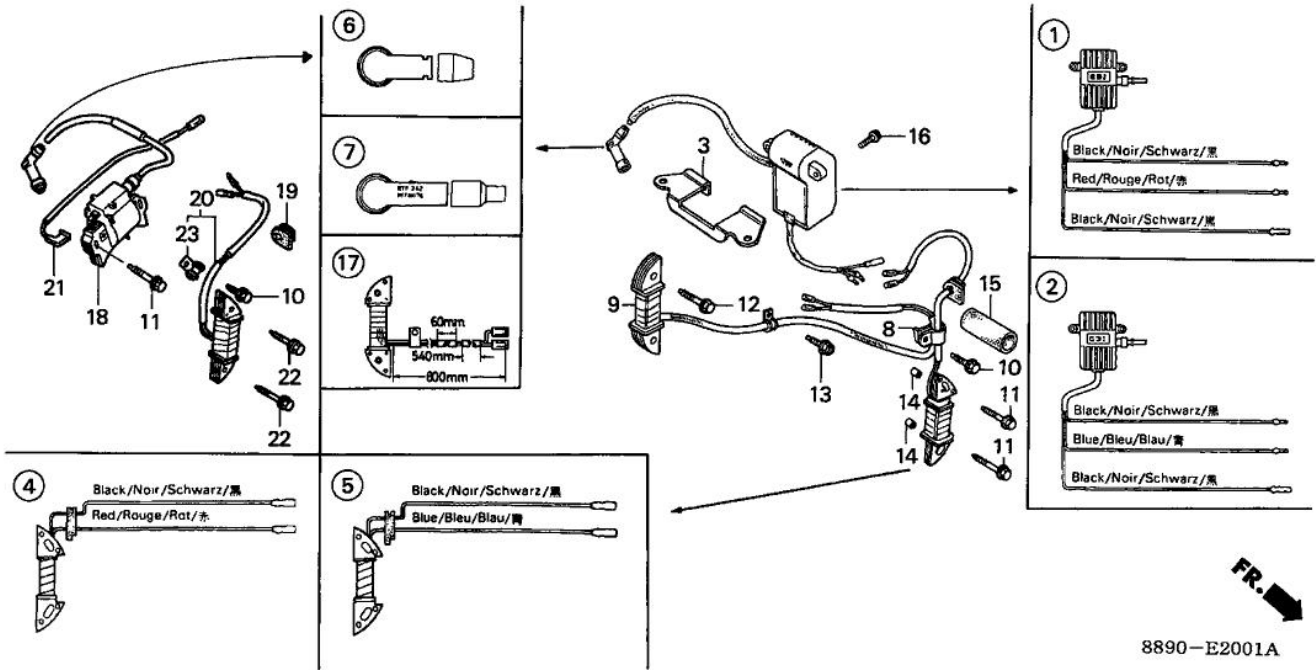
FR. →
8890-E2200A

Ref.	Part Number	Part Description	Qty.
001	16551-889-010	ARM, GOVERNOR	001
002	16555-889-010	ROD, GOVERNOR	001
003	16561-890-010	SPRING, GOVERNOR	001
003	16561-890-601	SPRING, GOVERNOR	001
004	16562-889-000	SPRING, THROTTLE RETURN	001
004	16562-889-010	SPRING, THROTTLE RETURN	(NOT AVAILABLE) 001
005	16570-883-010	CONTROL ASSY.	(1)
006	16570-883-661	CONTROL ASSY.	001
008	16571-883-300	LEVER, CONTROL	(1)
008	16571-883-300	LEVER, CONTROL	001
009	16574-883-300	SPRING, LEVER	(1)
009	16574-883-300	SPRING, LEVER	001
010	16575-883-300	WASHER, CONTROL LEVER	(1)
010	16575-883-300	WASHER, CONTROL LEVER	001
011	16576-883-300	SPACER, CONTROL LEVER	(1)
011	16576-883-300	SPACER, CONTROL LEVER	001
013	16581-883-320	BASE, CONTROL LEVER	(1)
013	16581-883-320	BASE, CONTROL LEVER	001
014	16582-883-300	HOLDER, CONTROL CABLE	(1)
014	16582-883-300	HOLDER, CONTROL CABLE	001
015	16584-883-300	SPRING, CONTROL ADJUSTING	(1)
015	16584-883-300	SPRING, CONTROL ADJUSTING	001
017	16592-883-310	SPRING, CABLE RETURN	(1)
018	16594-883-010	HOLDER, WIRE	(1)
019	90002-892-000	BOLT, FLANGE (5X10)	(1)
019	90002-892-000	BOLT, FLANGE (5X10)	001
020	90013-883-000	BOLT, FLANGE (6X12) (CT200)	002
021	90015-ZE3-790	BOLT, GOVERNOR ARM	001
022	90352-883-003	WINGNUT (6MM)	(1)
022	90352-883-003	WINGNUT (6MM)	001
024	90605-230-000	CIRCLIP (5MM)	(1)
026	93500-04006-0H	SCREW, PAN (4X6)	(1)

Ref.	Part Number	Part Description	Qty.
027	93500-05010-0A	SCREW, PAN (5X10)	001
028	93500-05022-0A	SCREW, PAN (5X22)	(1)
028	93500-05022-0A	SCREW, PAN (5X22)	001
031	94050-06080	NUT, FLANGE (6MM)	001

TRU-POWER, INC.

Model Name	G300	Product Line	GENERAL PURPOSE ENGINE
Mfg		Type	VB6
Section	ENGINE	Illustration	C.D.I. UNIT

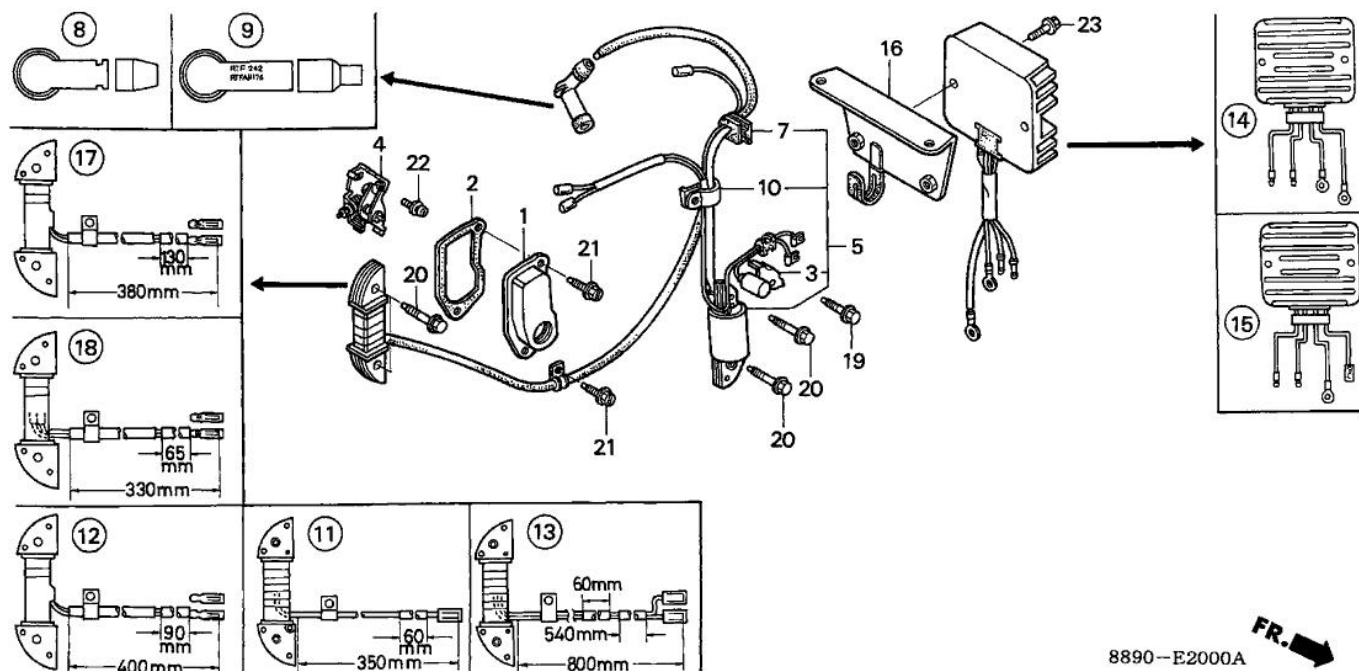


8890-E2001A

Ref.	Part Number	Part Description	Qty.
001	30580-889-733	MODULE, IGNITION CONTROL (CDI)	001
003	30586-889-730	STAY, IGNITION CONTROL MODULE (CDI)	001
004	30590-889-731	COIL ASSY., EXCITER	001
004	30590-889-732	COIL ASSY., EXCITER	(NOT AVAILABLE) 001
006	30600-841-000	TERMINAL ASSY., IGNITION	(NOT AVAILABLE) 001
006	30600-889-003	TERMINAL ASSY., IGNITION	001
007	30700-865-013	CAP ASSY., NOISE SUPPRESSOR	(1)
008	30702-890-000	CLAMP, IGNITION WIRE	001
010	90013-883-000	BOLT, FLANGE (6X12) (CT200)	001
011	90015-883-000	BOLT, FLANGE (6X28) (CT200)	002
014	94301-08140	PIN, DOWEL (8X14)	002
015	95003-60001-10M	HOSE, BULK (22X27X1000) OEM CUT SIZE: (22X27X60)	001
016	95701-06012-08	BOLT, FLANGE (6X12)	002

TRU-POWER, INC.

Model Name	G300	Product Line	GENERAL PURPOSE ENGINE
Mfg		Type	VB6
Section	ENGINE	Illustration	IGNITION COIL

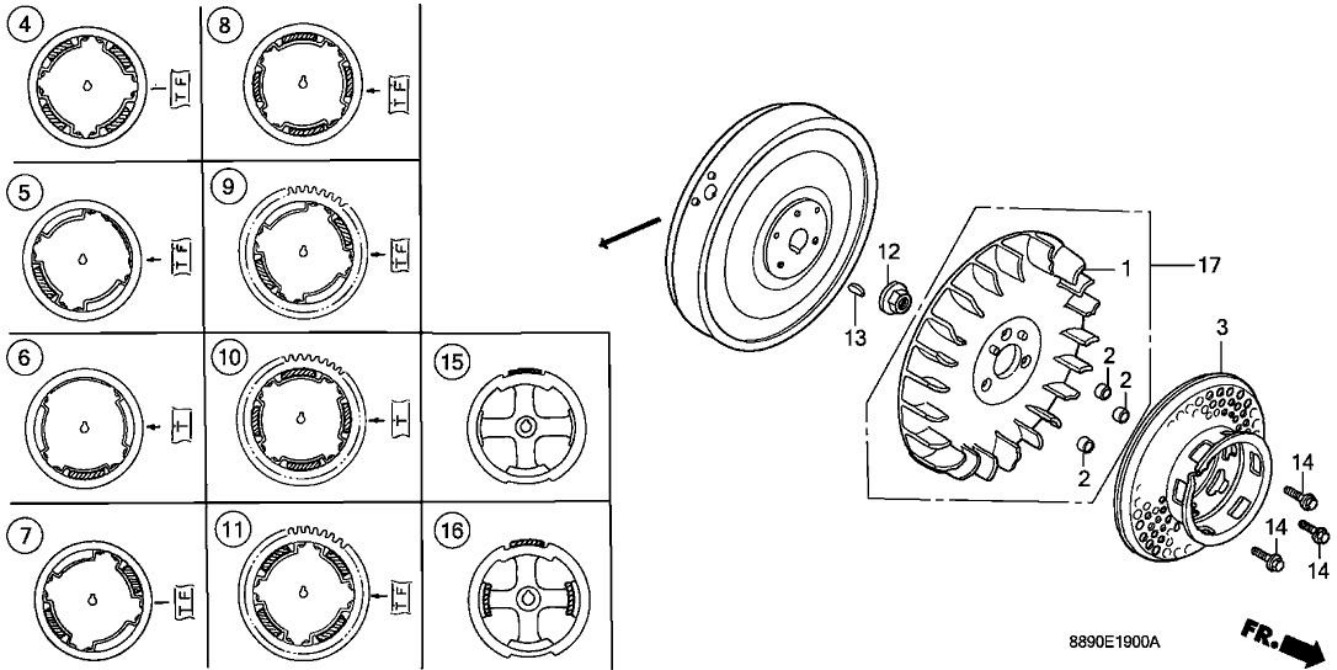


8890-E2000A

Ref.	Part Number	Part Description	Qty.
001	30211-889-000	COVER, BREAKER	(1)
002	30215-889-000	GASKET, BREAKER COVER	(NOT AVAILABLE) (1)
003	30251-883-003	CONDENSER	(1)
004	30280-883-005	POINTS ASSY.	(1)
005	30560-889-003	COIL ASSY., IGNITION	(1)
007	30563-890-003	GROMMET, WIRE	(1)
008	30600-841-000	TERMINAL ASSY., IGNITION	(NOT AVAILABLE) (1)
008	30600-889-003	TERMINAL ASSY., IGNITION	(1)
009	30700-865-013	CAP ASSY., NOISE SUPPRESSOR	(1)
010	30702-890-000	CLAMP, IGNITION WIRE	(1)
017	31630-890-801	COIL ASSY., CHARGE (SILICON RECTIFIER)	(NOT AVAILABLE) (1)
019	90013-883-000	BOLT, FLANGE (6X12) (CT200)	(1)
020	90017-883-000	BOLT, FLANGE (6X32) (CT200)	(AR)
021	90019-883-000	BOLT, FLANGE (5X10)	(3)
022	90051-883-000	SCREW-WASHER (5X12)	(1)

TRU-POWER, INC.

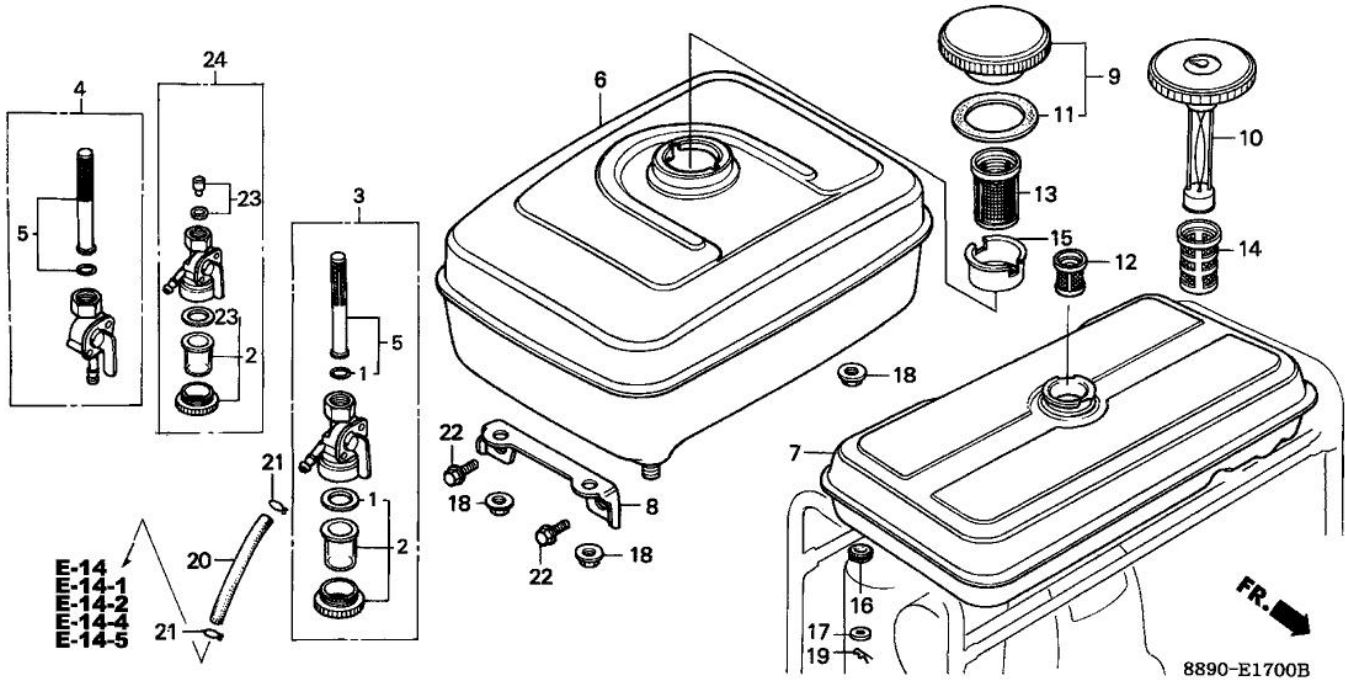
Model Name	G300	Product Line	GENERAL PURPOSE ENGINE
Mfg		Type	VB6
Section	ENGINE	Illustration	FLYWHEEL



Ref.	Part Number	Part Description	Qty.
001	19511-889-010	FAN, COOLING	001
002	19512-883-000	COLLAR, FAN	003
003	28451-889-000	PULLEY, STARTER	001
003	28451-889-010	PULLEY, STARTER	(NOT AVAILABLE)
005	31100-889-010	FLYWHEEL	(NOT AVAILABLE)
006	31100-889-731	FLYWHEEL (C.D.I.)	(1)
010	31100-889-813	FLYWHEEL (C.D.I.)(STARTER)	001
012	90201-ZE3-790	NUT, SPECIAL (16MM)	001
013	13331-357-000	KEY, SPECIAL WOODRUFF (25X18)	001
014	95701-06016-08	BOLT, FLANGE (6X16)	003

TRU-POWER, INC.

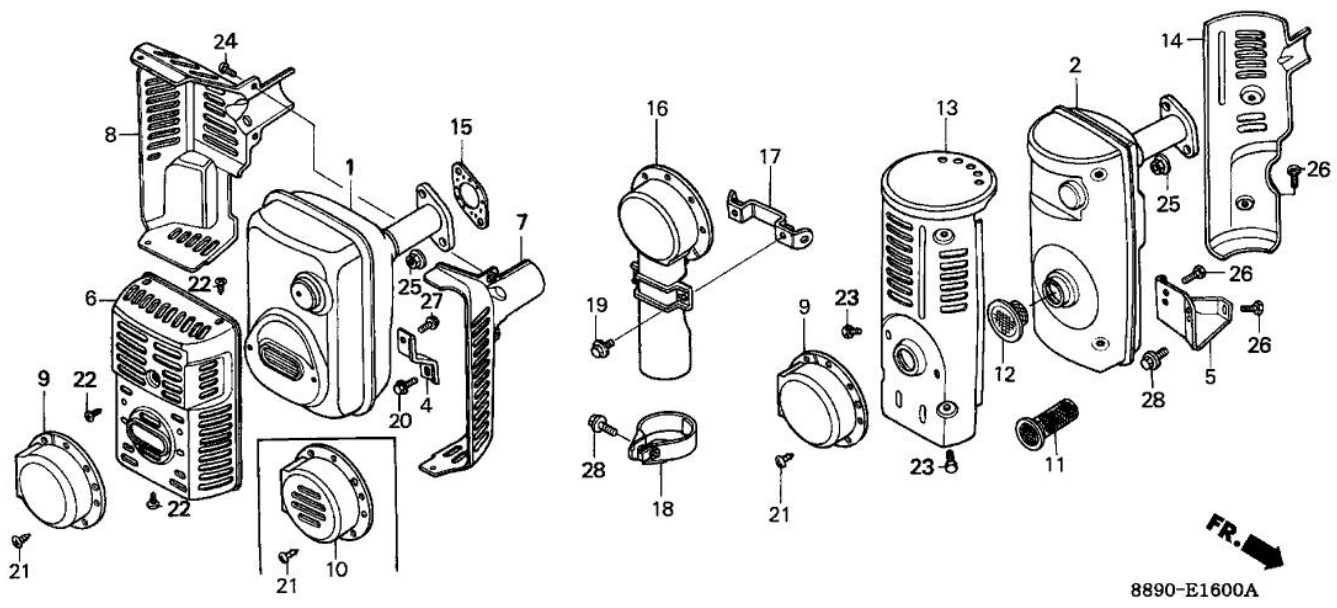
Model Name	G300	Product Line	GENERAL PURPOSE ENGINE
Mfg		Type	VB6
Section	ENGINE	Illustration	FUEL TANK (1)



Ref.	Part Number	Part Description	Qty.
001	16080-883-005	GASKET SET, PETCOCK	001
002	16081-471-831	CUP, FUEL STRAINER	001
002	16081-883-015	CUP SET, FUEL STRAINER	001
003	16950-883-045	PETCOCK ASSY.	001
003	16950-898-633	PETCOCK ASSY.	001
004	16950-883-663	PETCOCK ASSY.	001
004	16950-889-015	PETCOCK ASSY.	001
005	16952-883-005	SCREEN SET	001
006	17510-890-000XC	TANK, FUEL *NH31R*(MCKINLEY WHITE)	001
006	17510-890-010XC	TANK, FUEL *NH31R*(MCKINLEY WHITE)	001
006	17510-890-020XC	TANK, FUEL *NH31R*(MCKINLEY WHITE)	001
006	17510-890-030ZA	TANK, FUEL *NH31*(MCKINLEY WHITE)	(NOT AVAILABLE) 001
006	17510-890-690XC	TANK, FUEL (LONG TAIL)(MCKINLEY WHITE)	(NOT AVAILAB... 001
006	17510-890-691ZA	TANK, FUEL *NH31*(MCKINLEY WHITE)	(NOT AVAILABLE) 001
008	17516-890-000	STAY, FUEL TANK	(NOT AVAILABLE) 001
009	17620-402-010	CAP, FUEL FILLER	001
009	17620-ZH7-023	CAP, FUEL FILLER (BLACK)	001
010	17630-890-692	GAUGE, FUEL (ENGLISH)	001
011	17631-329-003	GASKET, FUEL FILLER CAP (39X58X3)	001
013	17672-880-000	FILTER, FUEL	001
015	17673-893-000	HOLDER, FUEL FILTER	001
018	94050-08080	NUT, FLANGE (8MM)	004
020	95001-45003-60M	BULK HOSE, FUEL (4.5X3000) OEM CUT SIZE: (4.5X85)	001
021	95002-02080	CLIP, TUBE (B8)	002
022	95701-08016-08	BOLT, FLANGE (8X16)	002
023	16080-890-691	GASKET SET, PETCOCK	(NOT AVAILABLE) 001
024	16950-890-693	PETCOCK ASSY.	001

TRU-POWER, INC.

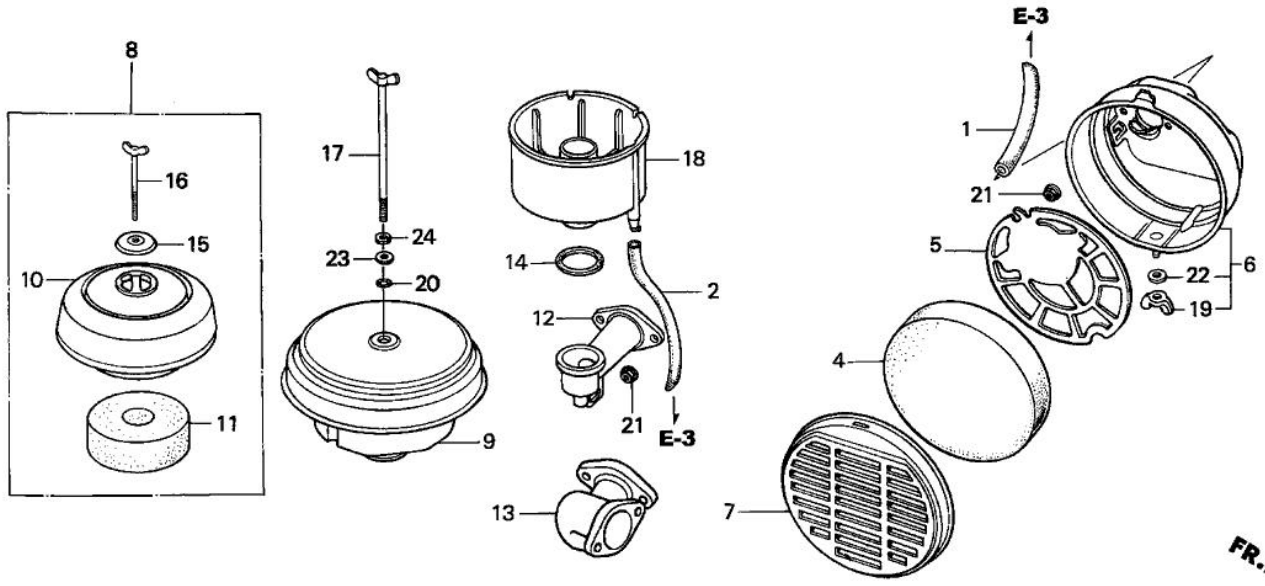
Model Name	G300	Product Line	GENERAL PURPOSE ENGINE
Mfg		Type	VB6
Section	ENGINE	Illustration	MUFFLER



Ref.	Part Number	Part Description	Qty.
001	18310-890-000	MUFFLER	001
002	18310-890-731	MUFFLER	(1)
002	18310-890-732	MUFFLER	(1)
002	18310-890-733	MUFFLER	(1)
002	18310-890-734	MUFFLER	(1)
002	18310-890-735	MUFFLER	(1)
004	18320-889-010	STAY, MUFFLER	001
005	18320-890-731	STAY, MUFFLER	(1)
006	18323-889-000	PROTECTOR, FR. MUFFLER	(NOT AVAILABLE)
007	18325-889-000	PROTECTOR, R. MUFFLER	001
008	18330-889-000	PROTECTOR, L. MUFFLER	001
009	18331-889-010	DEFLECTOR, MUFFLER	(1)
012	18336-890-000	FLANGE, BAFFLE	(1)
013	18361-890-730	PROTECTOR A, MUFFLER	(NOT AVAILABLE)
014	18365-890-730	PROTECTOR B, MUFFLER	(1)
015	18381-889-306	GASKET, MUFFLER	001
015	18381-889-800	GASKET, MUFFLER	001
020	90013-883-000	BOLT, FLANGE (6X12) (CT200)	001
021	90183-671-003	SCREW, TAPPING (4X8)	(2)
022	90183-671-003	SCREW, TAPPING (4X8)	007
023	90003-890-000	BOLT-WASHER (6X10)	(NOT AVAILABLE)
023	92101-06008-0B	BOLT, HEX. (6X8)	(4)
024	93500-04006-0B	SCREW, PAN (4X6)	(NOT AVAILABLE)
025	94050-08080	NUT, FLANGE (8MM)	002
026	95701-06010-00	BOLT, FLANGE (6X10)	(4)
027	95700-06010-08	BOLT, FLANGE (6X10)	001
027	95701-06010-08	BOLT, FLANGE (6X10)	001
028	95701-08014-08	BOLT, FLANGE (8X14)	(1)
028	95701-08016-08	BOLT, FLANGE (8X16)	(1)

TRU-POWER, INC.

Model Name	G300	Product Line	GENERAL PURPOSE ENGINE
Mfg		Type	VB6
Section	ENGINE	Illustration	AIR CLEANER (2)

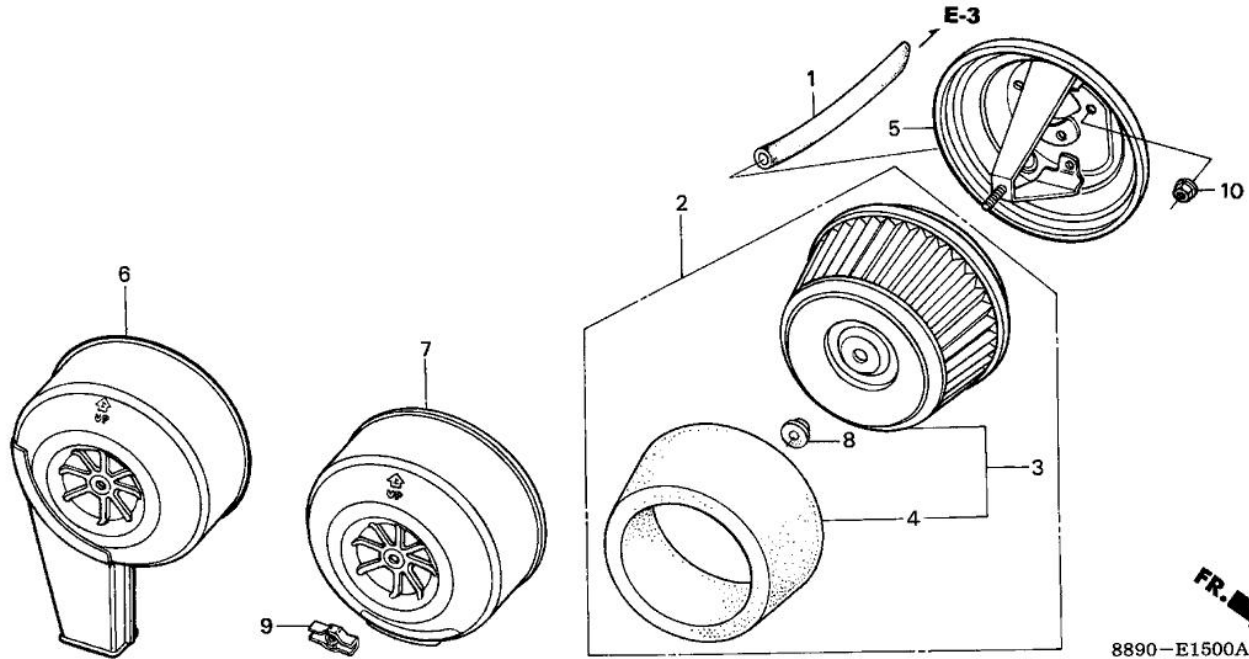


8890-E1501A

Ref.	Part Number	Part Description	Qty.
001	15721-889-010	TUBE, BREATHER	(1)
002	15721-889-611	TUBE, BREATHER	(1)
004	17211-889-000	ELEMENT, AIR CLEANER	(1)
005	17212-889-000	GRID, AIR CLEANER	(1)
006	17220-889-000	HOUSING, AIR CLEANER	(1)
007	17231-889-000	COVER, AIR CLEANER	(1)
008	174A0-889-000	BODY KIT, AIR CLEANER	(1)
009	17401-873-004XC	HOUSING, AIR CLEANER *NH31R*(MCKINLEY WHITE)	(1)
010	17401-889-000	BODY, AIR CLEANER	(1)
011	17403-728-000	ELEMENT, AIR CLEANER	(1)
012	17411-889-000	ELBOW, AIR CLEANER	(1)
014	17412-873-000	GASKET, IN. ELBOW	(1)
015	17421-728-000	CAP, AIR CLEANER	(1)
016	17425-728-003	BOLT, AIR CLEANER	(1)
017	17425-865-780	BOLT, AIR CLEANER	(1)
018	17441-724-000	PAN, CLEANER OIL	(1)
019	90325-044-000	NUT, TOOL BOX SETTING	(1)
020	91301-426-010	O-RING (4.9X2.5)	(1)
021	94050-06080	NUT, FLANGE (6MM)	(2)
022	94101-06800	WASHER, PLAIN (6MM)	(1)
023	94101-06800	WASHER, PLAIN (6MM)	(1)
024	94111-06800	WASHER, SPRING (6MM)	(1)

TRU-POWER, INC.

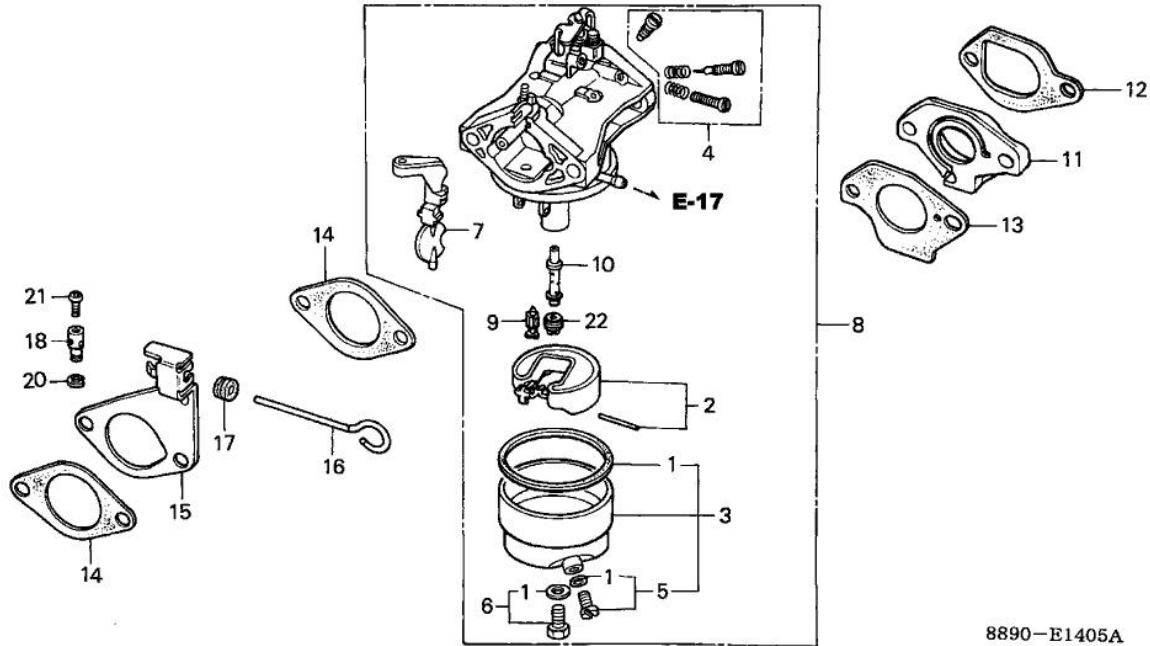
Model Name	G300	Product Line	GENERAL PURPOSE ENGINE
Mfg		Type	VB6
Section	ENGINE	Illustration	AIR CLEANER (1)



Ref.	Part Number	Part Description	Qty.
001	15721-889-010	TUBE, BREATHER	001
002	17211-890-023	ELEMENT, AIR CLEANER	(1)
003	17211-890-023	ELEMENT, AIR CLEANER	001
004	17218-890-003	FILTER (OUTER)	(NOT AVAILABLE)
005	17220-890-003	HOUSING, AIR CLEANER	001
006	17230-890-731	COVER, AIR CLEANER	(1)
007	17231-890-003	COVER, AIR CLEANER	001
008	17232-890-010	GROMMET, AIR CLEANER	001
009	90203-PB2-000	NUT, AIR CLEANER COVER (DACRO COATING)	001
010	94050-06080	NUT, FLANGE (6MM)	002

TRU-POWER, INC.

Model Name	G300	Product Line	GENERAL PURPOSE ENGINE
Mfg		Type	VB6
Section	ENGINE	Illustration	CARBURETOR (6)



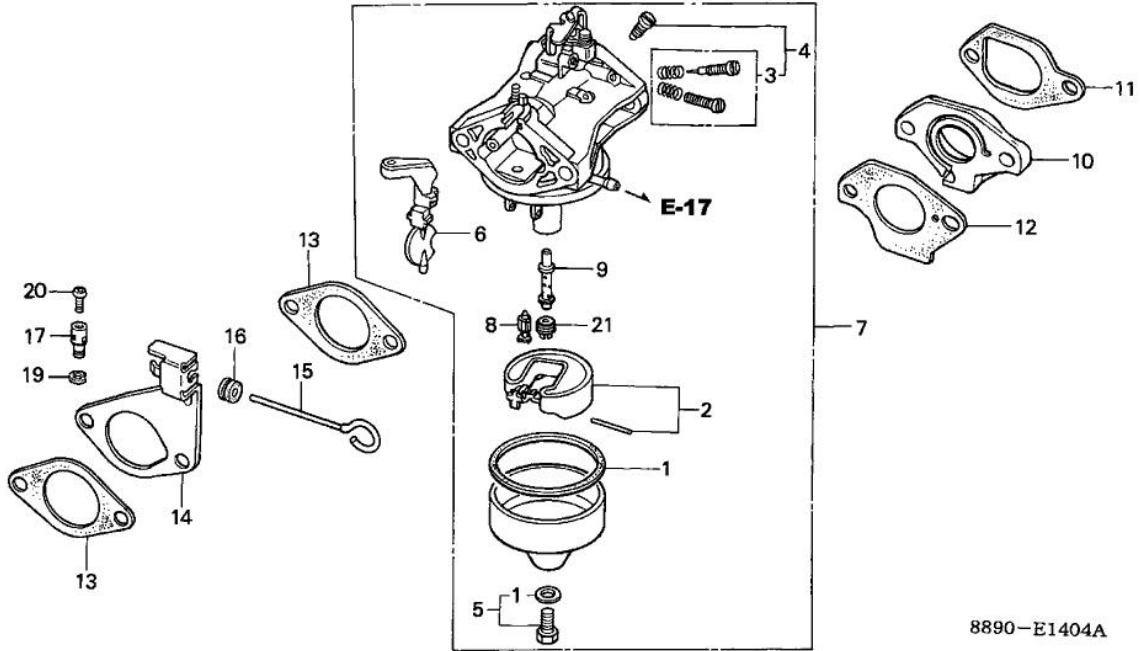
8890-E1405A

Ref.	Part Number	Part Description	Qty.
001	16010-883-015	GASKET SET (CARBURETOR NO.)	001
001	16010-883-015	GASKET SET (CARBURETOR NO.)	001
002	16013-883-005	FLOAT SET (CARBURETOR NO.)	001
003	16015-887-782	CHAMBER SET, FLOAT (CARBURETOR NO.)	001
003	16015-887-782	CHAMBER SET, FLOAT (CARBURETOR NO.)	001
003	16015-896-005	CHAMBER SET, FLOAT (CARBURETOR NO.)	(NOT AVAILABLE) 001
004	16016-883-661	SCREW SET A (CARBURETOR NO.)	001
004	16016-ZA1-701	SCREW SET A (CARBURETOR NO.)	001
005	16024-890-731	SCREW SET, DRAIN (CARBURETOR NO.)	001
005	16024-ZE1-811	SCREW SET, DRAIN (CARBURETOR NO.)	001
006	16028-883-005	SCREW SET B (CARBURETOR NO.)	001
006	16028-ZE0-005	SCREW SET (CARBURETOR NO.)	001
006	16028-ZK7-S91	SCREW SET	001
007	16044-889-005	CHOKE SET (CARBURETOR NO.)	001
008	16100-889-065	CARBURETOR ASSY.	001
008	16100-889-065	CARBURETOR ASSY.	001
009	16155-883-005	VALVE, FLOAT (CARBURETOR NO.)	001
010	16166-889-005	NOZZLE, MAIN (CARBURETOR NO.)	001
011	16211-889-000	INSULATOR, CARBURETOR	001
012	16212-889-800	GASKET, INSULATOR	001
013	16221-890-306	GASKET, CARBURETOR	001
013	16221-890-800	GASKET, CARBURETOR	001
014	16269-890-306	GASKET, AIR CLEANER	AR
014	16269-890-800	GASKET, AIR CLEANER	AR
015	16598-889-731	STAY, CHOKE CONTROL	(NOT AVAILABLE) 001
016	16611-889-000	ROD, CHOKE CONTROL	(NOT AVAILABLE) 001
017	16613-890-000	GROMMET, CHOKE ROD	001
018	16617-890-010	HOLDER, CABLE	001
020	90605-230-000	CIRCLIP (5MM)	001
021	93500-04008-0A	SCREW, PAN (4X8)	001
022	99101-124-0750	JET, MAIN (#75) (CARBURETOR NO.)	(1)
022	99101-124-0780	JET, MAIN (#78) (CARBURETOR NO.)	(1)

Ref.	Part Number	Part Description	Qty.
022	99101-124-0800	JET, MAIN (#80) (CARBURETOR NO.)	(1)
022	99101-124-0820	JET, MAIN (#82) (CARBURETOR NO.)	(1)
022	99101-124-0850	JET, MAIN (#85) (CARBURETOR NO.)	001

TRU-POWER, INC.

Model Name	G300	Product Line	GENERAL PURPOSE ENGINE
Mfg		Type	VB6
Section	ENGINE	Illustration	CARBURETOR (5)



8890-E1404A



Ref.	Part Number	Part Description	Qty.
001	16010-883-015	GASKET SET	001
002	16013-883-005	FLOAT SET (CARBURETOR NO.)	001
003	16016-890-005	SCREW SET A (CARBURETOR NO.)	001
004	16016-890-015	SCREW SET A (CARBURETOR NO.)	(NOT AVAILABLE) 001
005	16028-883-005	SCREW SET B (CARBURETOR NO.)	001
006	16044-889-005	CHOKE SET (CARBURETOR NO.)	001
007	16100-889-065	CARBURETOR ASSY.	001
008	16155-883-005	VALVE, FLOAT (CARBURETOR NO.)	001
009	16166-889-005	NOZZLE, MAIN (CARBURETOR NO.)	001
010	16211-889-000	INSULATOR, CARBURETOR	001
011	16212-889-800	GASKET, INSULATOR	001
012	16221-890-306	GASKET, CARBURETOR	001
012	16221-890-800	GASKET, CARBURETOR	001
013	16269-890-306	GASKET, AIR CLEANER	AR
013	16269-890-800	GASKET, AIR CLEANER	AR
014	16598-889-731	STAY, CHOKE CONTROL	(NOT AVAILABLE) 001
015	16611-889-000	ROD, CHOKE CONTROL	(NOT AVAILABLE) 001
016	16613-890-000	GROMMET, CHOKE ROD	001
017	16617-890-010	HOLDER, CABLE	001
019	90605-230-000	CIRCLIP (5MM)	001
020	93500-04008-0A	SCREW, PAN (4X8)	001
021	99101-124-0750	JET, MAIN (#75) (CARBURETOR NO.)	(1)
021	99101-124-0780	JET, MAIN (#78) (CARBURETOR NO.)	(1)
021	99101-124-0800	JET, MAIN (#80) (CARBURETOR NO.)	(1)
021	99101-124-0820	JET, MAIN (#82) (CARBURETOR NO.)	(1)
021	99101-124-0850	JET, MAIN (#85) (CARBURETOR NO.)	001

TRU-POWER, INC.

Product Line **GENERAL PURPOSE ENGINE**
 Type **VB6**

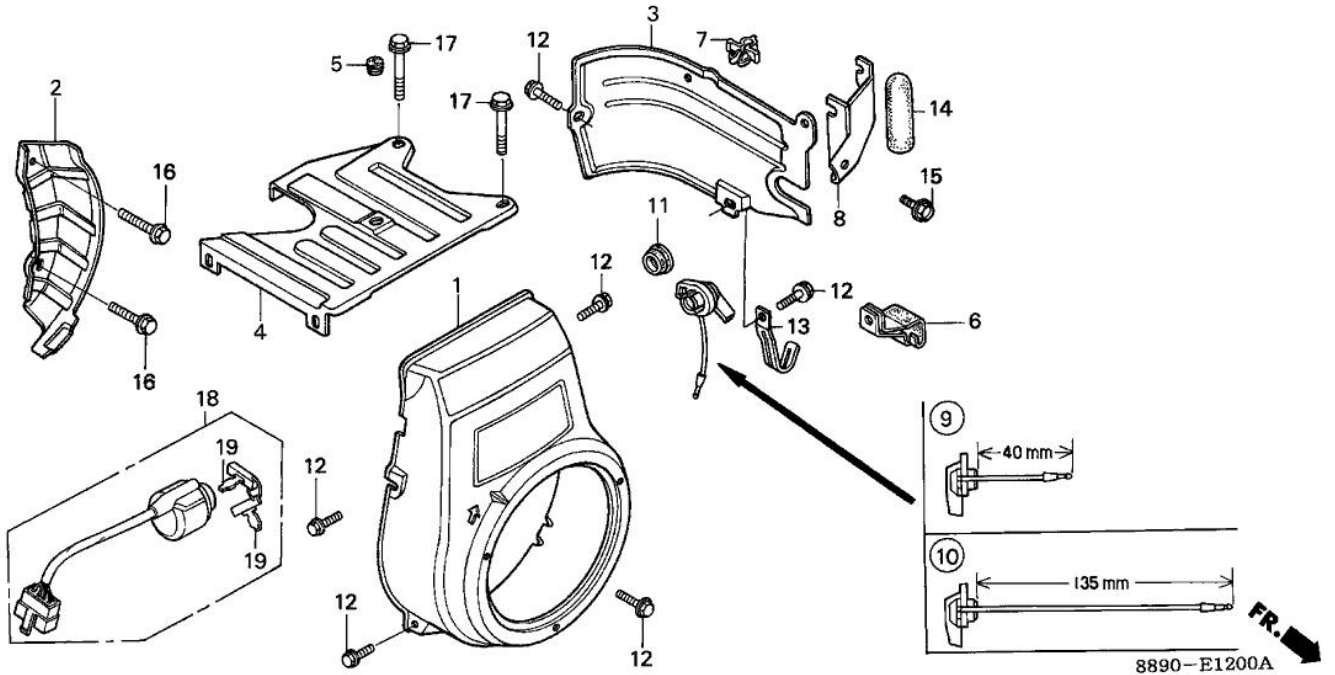
Model Name **G300**

Mfg

Section **ENGINE**

Illustration

FAN COVER (1)

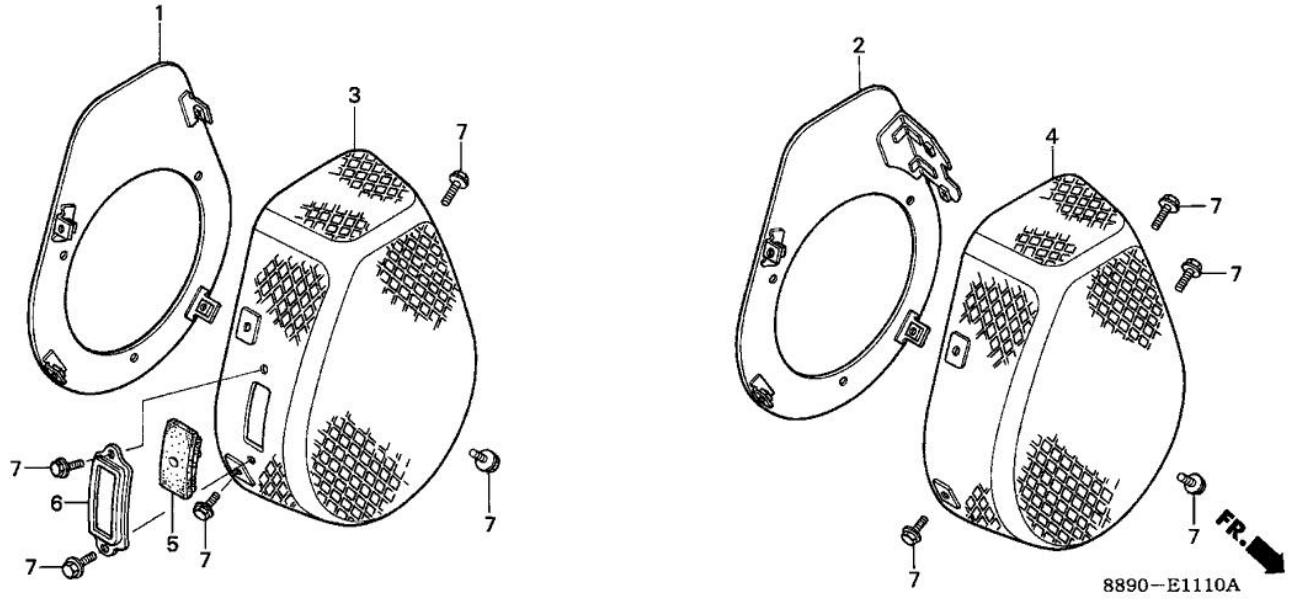


8890-E1200A

Ref.	Part Number	Part Description	Qty.
001	19610-YA1-V60ZA	COVER, FAN *R280*(POWER RED)	001
002	19611-889-000	PLATE, SIDE	001
003	19631-889-000	SHROUD	001
004	19641-889-010	COVER, TOP	001
005	19643-883-010	GROMMET, TOP COVER	001
007	30701-883-000	CLIP, IGNITION WIRE (8MM)	001
010	36100-887-630	SWITCH ASSY., ENGINE STOP	001
010	36100-887-720	SWITCH ASSY., ENGINE STOP	001
010	36100-887-721	SWITCH ASSY., ENGINE STOP	001
012	90013-883-000	BOLT, FLANGE (6X12) (CT200)	006
013	91406-671-000	CLIP, WIRE HARNESS	001
016	95701-08020-08	BOLT, FLANGE (8X20)	002
018	35100-880-673	SWITCH ASSY., COMBINATION	(1)
018	35100-ZA0-013	SWITCH ASSY., COMBINATION	(1)
018	35100-ZA0-023	SWITCH ASSY., COMBINATION	(1)
019	35111-880-013	KEY (HONDALOCK)	(2)
		(NOT AVAILABLE)	

TRU-POWER, INC.

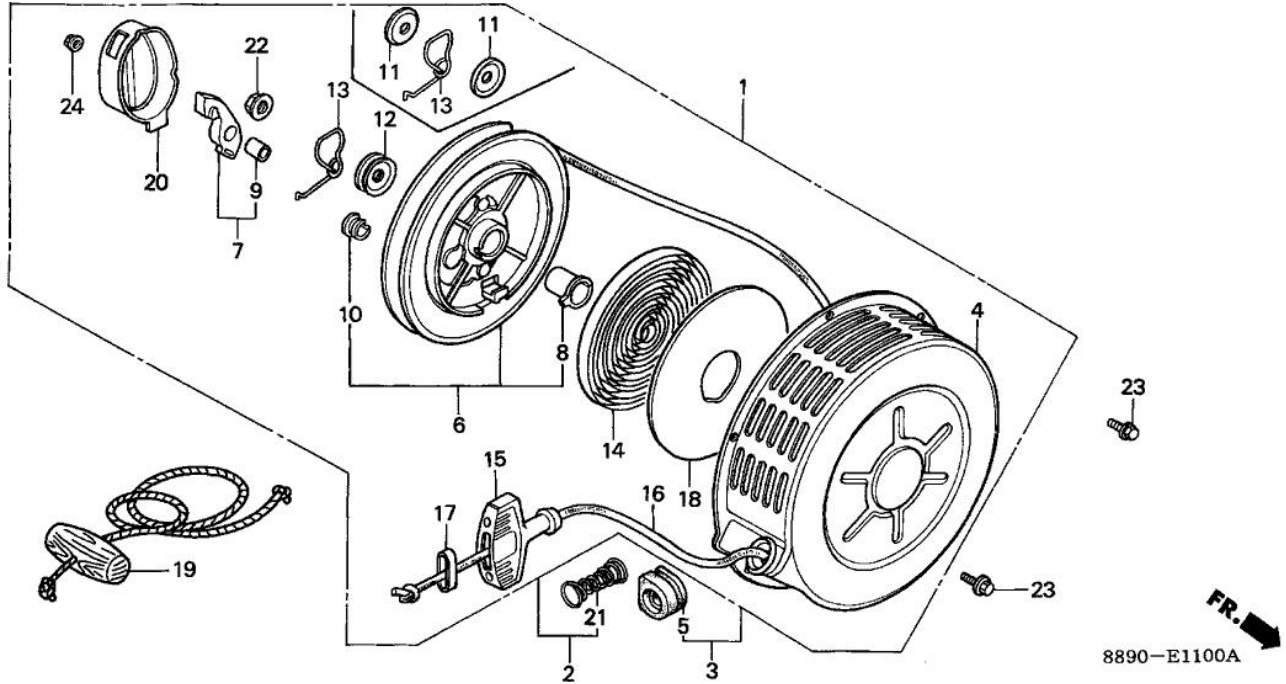
Model Name	G300	Product Line	GENERAL PURPOSE ENGINE
Mfg		Type	VB6
Section	ENGINE	Illustration	DUST COVER



Ref.	Part Number	Part Description	Qty.
001	19620-889-950	BASE, DUST COVER	(1)
003	19630-889-950	COVER, DUST	(1)
005	28605-889-950	GUIDE, ROPE	(1)
006	28606-848-790	RIM, ROPE GUIDE	(1)
007	95700-06010-08	BOLT, FLANGE (6X10)	(AR
007	95701-06010-08	BOLT, FLANGE (6X10)	(AR
		(NOT AVAILABLE)	

TRU-POWER, INC.

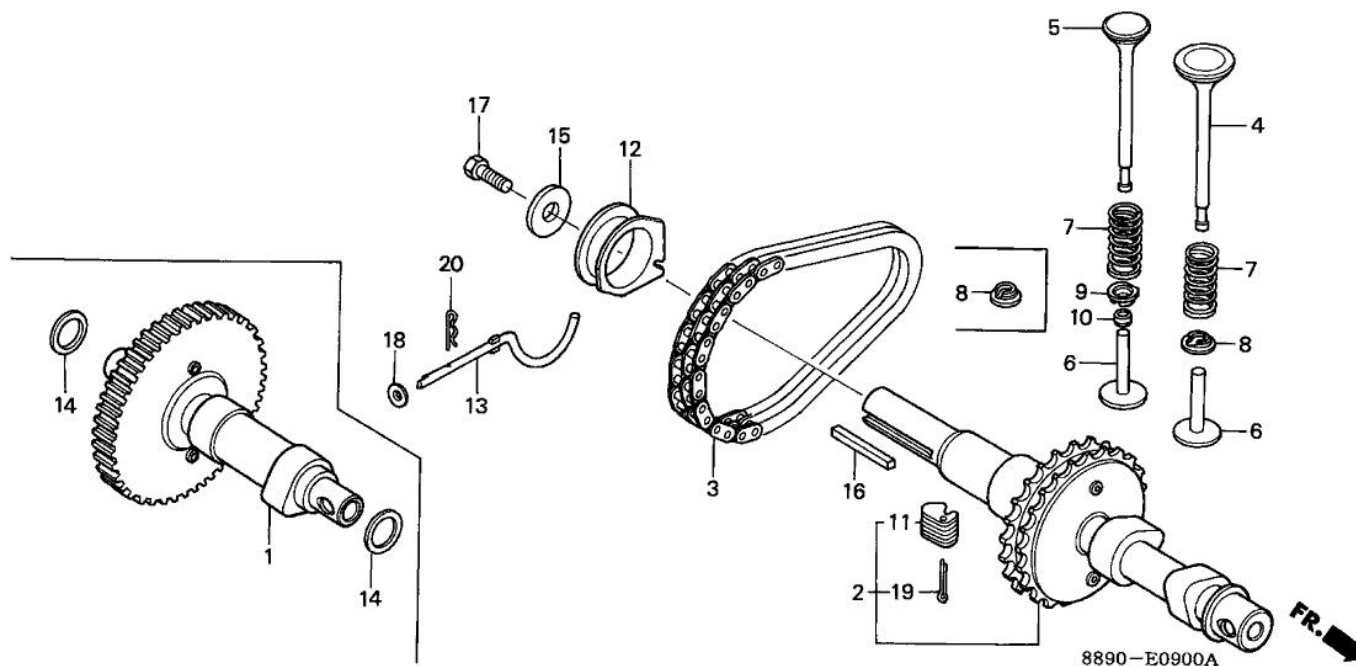
Model Name	G300	Product Line	GENERAL PURPOSE ENGINE
Mfg		Type	VB6
Section	ENGINE	Illustration	RECOIL STARTER



Ref.	Part Number	Part Description	Qty.
001	28400-YA1-R00ZB	STARTER ASSY., RECOIL *R280*(POWER RED)	001
002	28400-889-950H	STARTER ASSY., RECOIL(BRIGHT RED)	(1)
002	28400-889-952ZA	STARTER ASSY., RECOIL *R8*(BRIGHT RED)	(1)
004	28410-889-010ZA	CASE, STARTER *R8*(BRIGHT RED)	(NOT AVAILAB...)
006	28420-889-010	REEL, STARTER	001
007	28422-889-013	RATCHET	001
008	28424-883-000	BOSS, REEL	001
009	28425-889-300	BUSH, RATCHET	001
010	28427-883-300	BUSH, REEL STARTER	001
011	28431-883-000	PLATE, FRICTION	(NOT AVAILABLE)
012	28432-883-000	PLATE, FRICTION	001
013	28441-883-020	SPRING, FRICTION	001
014	28442-883-000	SPRING, RETURN	001
015	28461-883-000	GRIP, STARTER	001
015	28461-890-000	GRIP, STARTER	001
016	28462-ZE1-003	ROPE, RECOIL STARTER	001
017	28463-883-000	SUPPORT, GRIP	001
018	28467-889-000	PLATE, SIDE	001
018	28467-889-010	PLATE, SIDE	(NOT AVAILABLE)
019	28470-816-000	ROPE, STARTER	001
020	28474-883-010	COVER, STARTER REEL	001
021	28607-889-950	SPRING, ROPE GUIDE	001
022	90115-659-003	NUT, SELF-LOCK (8MM) (CLINCH)	001
023	95701-06008-00	BOLT, FLANGE (6X8)	003
024	94050-05000	NUT, FLANGE (5MM)	001

TRU-POWER, INC.

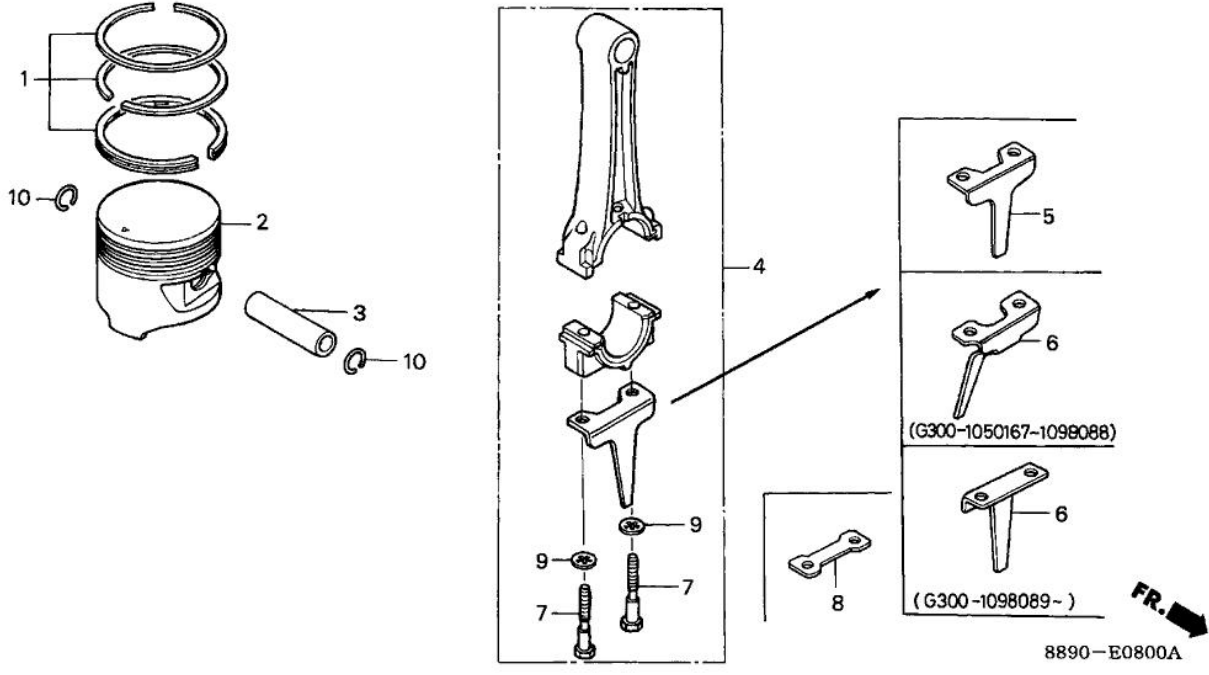
Model Name	G300	Product Line	GENERAL PURPOSE ENGINE
Mfg		Type	VB6
Section	ENGINE	Illustration	CAMSHAFT



Ref.	Part Number	Part Description	Qty.
001	14110-889-030	CAMSHAFT ASSY.	001
004	14711-889-000	VALVE, IN.	001
005	14721-889-000	VALVE, EX.	(NOT AVAILABLE)
005	14721-889-010	VALVE, EX.	001
005	14721-899-000	VALVE, EX.	001
006	14732-889-000	LIFTER, VALVE (45.89MM)	(2)
006	14737-889-000	LIFTER, VALVE (46.04MM)	(2)
006	14742-889-000	LIFTER, VALVE (46.19MM)	(2)
006	14747-889-000	LIFTER, VALVE (46.34MM)	(2)
007	14751-890-000	SPRING, VALVE	(NOT AVAILABLE)
008	14771-883-305	RETAINER, VALVE SPRING	001
008	14771-883-305	RETAINER, VALVE SPRING	002
009	14771-889-000	RETAINER, VALVE SPRING	001
010	14781-889-000	ROTATOR, EX. VALVE	(NOT AVAILABLE)
011	16511-883-300	WEIGHT, GOVERNOR	014
012	16531-890-000	SLIDER, GOVERNOR	001
013	16541-889-010	SHAFT, GOVERNOR ARM	001
014	90452-883-000	WASHER, THRUST (18MM)	002
018	94101-06800	WASHER, PLAIN (6MM)	001
019	94201-30250	PIN, SPLIT (3.0X25)	002
019	94201-30450	PIN, SPLIT (3.0X45)	002
020	94251-10400	PIN, LOCK (10MM)	001

TRU-POWER, INC.

Model Name	G300	Product Line	GENERAL PURPOSE ENGINE
Mfg		Type	VB6
Section	ENGINE	Illustration	PISTON



Ref.	Part Number	Part Description	Qty.
001	13010-YA1-003	RING SET, PISTON (STD)	001
001	13011-889-003	RING SET, PISTON (0.25)	(1)
001	13011-YA1-003	RING SET, PISTON (0.25)	(1)
001	13012-889-003	RING SET, PISTON (0.50)	(1)
001	13012-889-013	RING SET, PISTON (0.50) (TEIKOKU)	(1)
001	13012-YA1-003	RING SET, PISTON (0.50)	(1)
001	13013-889-003	RING SET, PISTON (0.75)	(1)
001	13013-YA1-003	RING SET, PISTON (0.75)	(1)
002	13101-889-010	PISTON (STD)	001
002	13102-889-010	PISTON (0.25)	(1)
002	13103-889-010	PISTON (0.50)	(1)
002	13104-889-010	PISTON (0.75)	(1)
003	13111-369-000	PIN, PISTON (NOT AVAILABLE)	001
004	13200-889-030	ROD ASSY., CONNECTING	001
004	13200-889-305	ROD ASSY., CONNECTING (UNDER SIZE)	001
004	13200-889-315	ROD ASSY., CONNECTING (UNDER SIZE)	(1)
004	13200-889-328	ROD ASSY., CONNECTING	001
004	13200-889-335	ROD ASSY., CONNECTING (UNDER SIZE)	(1)
004	13200-889-428	ROD ASSY., CONNECTING (UNDER SIZE)	(1)
005	13281-889-000	DIPPER, CONNECTING ROD (NOT AVAILABLE)	001
006	13281-889-010	DIPPER, CONNECTING ROD	001
007	90001-883-020	BOLT, CONNECTING ROD (7MM)	002
007	90001-889-000	BOLT, CONNECTING ROD (7MM) (NOT AVAILABLE)	002
008	90432-889-003	WASHER, LOCK (7MM)	001
009	90432-889-003	WASHER, LOCK (7MM)	002
010	94601-16000	CLIP, PISTON PIN (16MM)	002

TRU-POWER, INC.

Product Line **GENERAL PURPOSE ENGINE**
 Type **VB6**

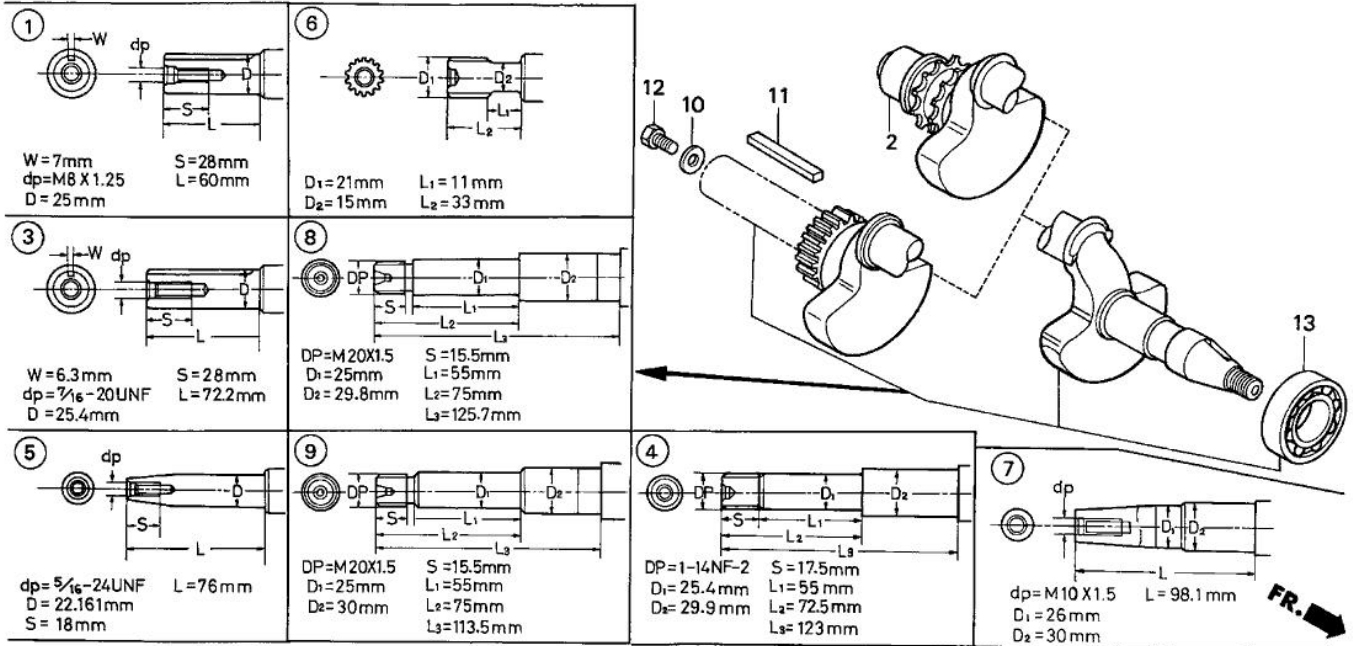
Model Name **G300**

Mfg

Section **ENGINE**

Illustration

CRANKSHAFT

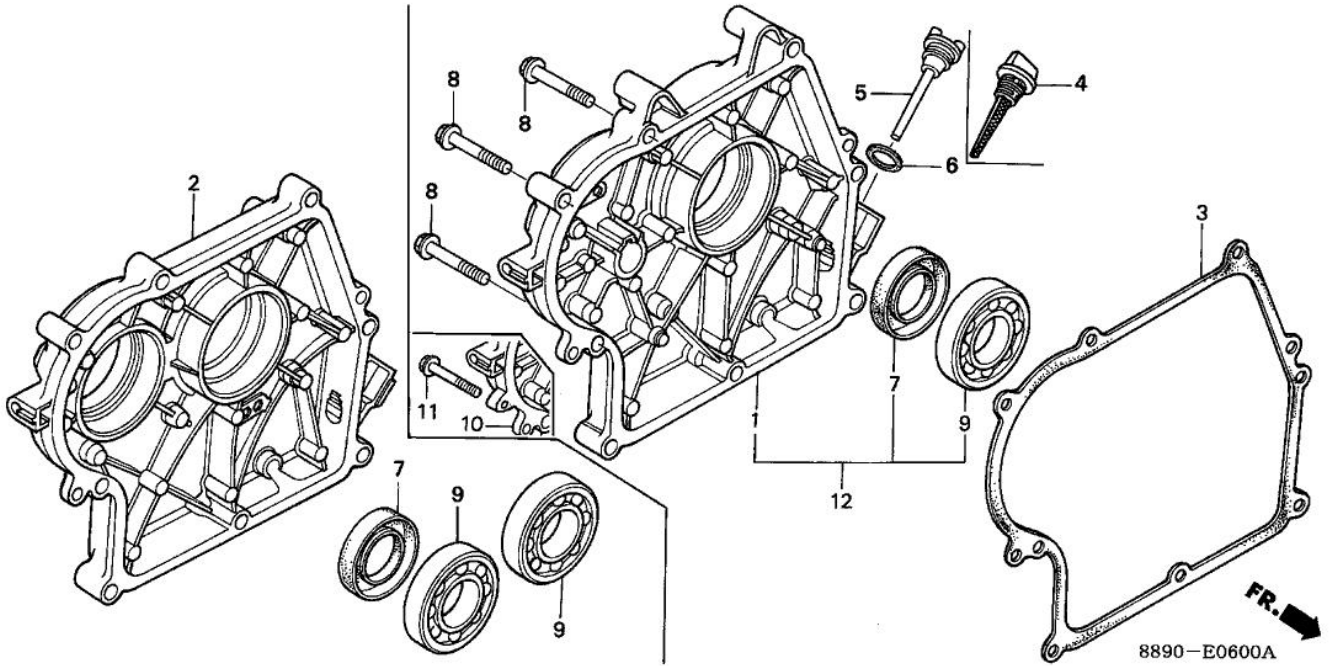


8890-E0700

Ref.	Part Number	Part Description	Qty.
005	13310-889-721	CRANKSHAFT	001
013	96100-62050-00	BEARING, RADIAL BALL (6205)	001

TRU-POWER, INC.

Model Name	G300	Product Line	GENERAL PURPOSE ENGINE
Mfg		Type	VB6
Section	ENGINE	Illustration	CRANKCASE COVER (1)



Ref.	Part Number	Part Description	Qty.
001	11310-889-721	COVER, CRANKCASE	001
003	11381-889-800	GASKET, CASE COVER	001
005	15620-890-000	CAP, OIL FILLER (YELLOW)	001
006	15621-896-010	GASKET, OIL FILLER CAP	001
007	91201-890-003	OIL SEAL (30X46X8)	001
008	95701-08040-08	BOLT, FLANGE (8X40)	008
009	96100-62060-00	BEARING, RADIAL BALL (6206)	001