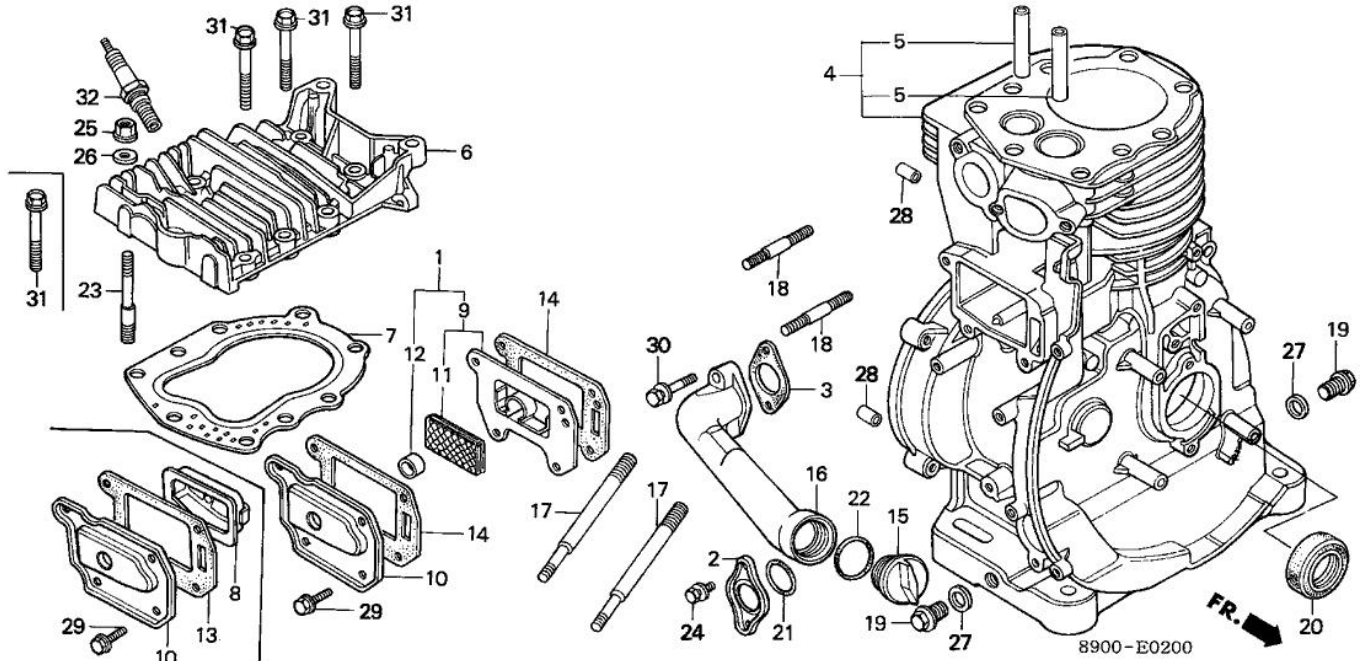


TRU-POWER, INC.

Product Line **GENERAL PURPOSE ENGINE**
Type **QJ0**

Model Name **G400**

Mfg **ENGINE** Illustration **CYLINDER HEAD - CYLINDER**



Ref.	Part Number	Part Description	Qty.
002	11210-822-010	COVER, OIL PAN HOLE	001
003	11211-822-000	GASKET, OIL PAN HOLE COVER (NOT AVAILABLE)	(1)
004	12100-890-325	CYLINDER (CRANKSHAFT P.T.O.)	001
004	12100-890-335	CYLINDER (CRANKSHAFT P.T.O.) (NOT AVAILABLE)	001
005	12134-890-305	GUIDE, VALVE	(2)
006	12221-890-305	CYLINDER HEAD (NOT AVAILABLE)	001
007	12281-890-306	GASKET, CYLINDER HEAD	001
007	12281-891-610	GASKET, CYLINDER HEAD	001
008	12360-889-010	CASE, BREATHER	001
010	12361-890-000	COVER, TAPPET ROOM (NOT AVAILABLE)	001
013	12375-ZA1-000	GASKET, TAPPET COVER	001
015	15611-921-000	CAP, OIL (YELLOW)	(1)
016	15632-890-000	PIPE, OIL	(1)
016	15632-890-010	PIPE, OIL (NOT AVAILABLE)	(1)
017	90042-890-010	BOLT, STUD (8X110)	002
017	90042-890-680	BOLT, STUD (8X104)	002
018	90047-883-000	BOLT, STUD (8X35)	002
019	90131-896-650	BOLT, DRAIN PLUG (12X15)	002
020	91201-890-003	OIL SEAL (30X46X8)	001
021	91301-028-000	O-RING (27X2.0)	(1)
022	91301-805-000	O-RING (26X2.7)	(1)
024	93402-06012-08	BOLT-WASHER (6X12)	(2)
027	94109-12000	WASHER, DRAIN PLUG (12MM)	002
028	94301-08140	PIN, DOWEL (8X14)	002
029	95701-06012-08	BOLT, FLANGE (6X12)	004
030	95700-06025-08	BOLT, FLANGE (6X25)	(2)
030	95701-06025-08	BOLT, FLANGE (6X25)	(2)
031	95730-10055-08	BOLT, FLANGE (10X55)	009
032	98076-54710	SPARK PLUG (B-4H) (NGK)	(1)
032	98076-54716	SPARK PLUG (BR-4HS) (NGK)	(1)
032	98076-54911	SPARK PLUG (BP-4HS-10) (NGK)	(1)
032	98076-54914	SPARK PLUG (BPR-4HS-10) (NGK)	(1)

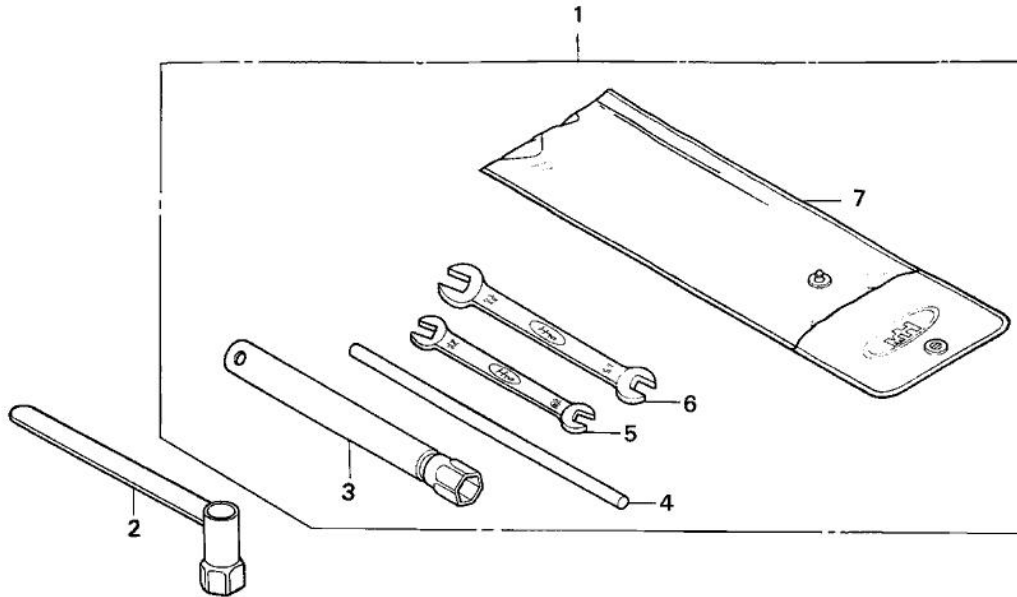
Ref.	Part Number	Part Description	Qty.
032	98076-54917	SPARK PLUG (BPR4HS-10)	(1)
032	98076-54919	SPARK PLUG (BP4HS-10)	(1)

Section

ENGINE

Illustration

TOOL



8900-E2900

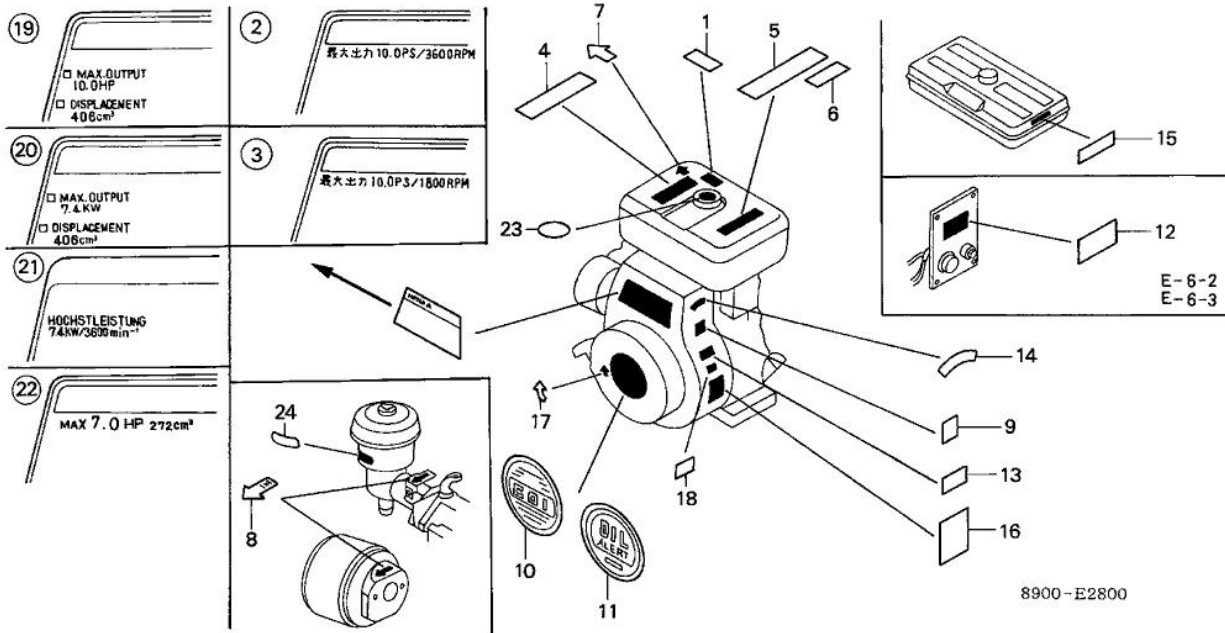
Ref.	Part Number	Part Description	Qty.
003	89216-809-000	WRENCH, SPARK PLUG	(1)

Section

ENGINE

Illustration

LABEL



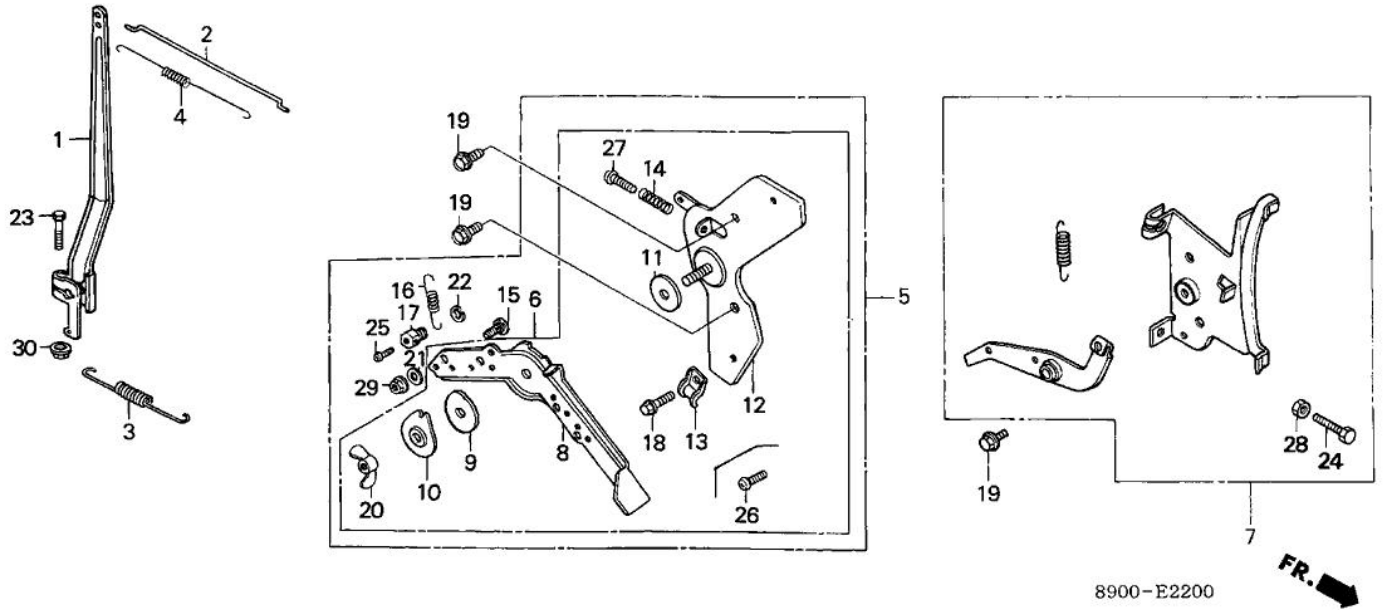
Ref.	Part Number	Part Description	Qty.
004	87522-883-660	MARK, CAUTION (ENGLISH/FRENCH/SPANISH)	(1)
008	87528-883-661	MARK, CHOKE	(1)
013	87544-889-800	MARK, FUSE (1.5A)	(1)
014	87546-889-800	MARK, ENGINE SWITCH	(1)
016	87594-883-000	MARK, OIL CAUTION	(1)
019	87521-890-600	EMBLEM (ENGLISH/FRENCH/SPANISH)	(1)
019	87521-890-601	EMBLEM (ENGLISH/FRENCH/SPANISH)	001

Section

ENGINE

Illustration

CONTROL



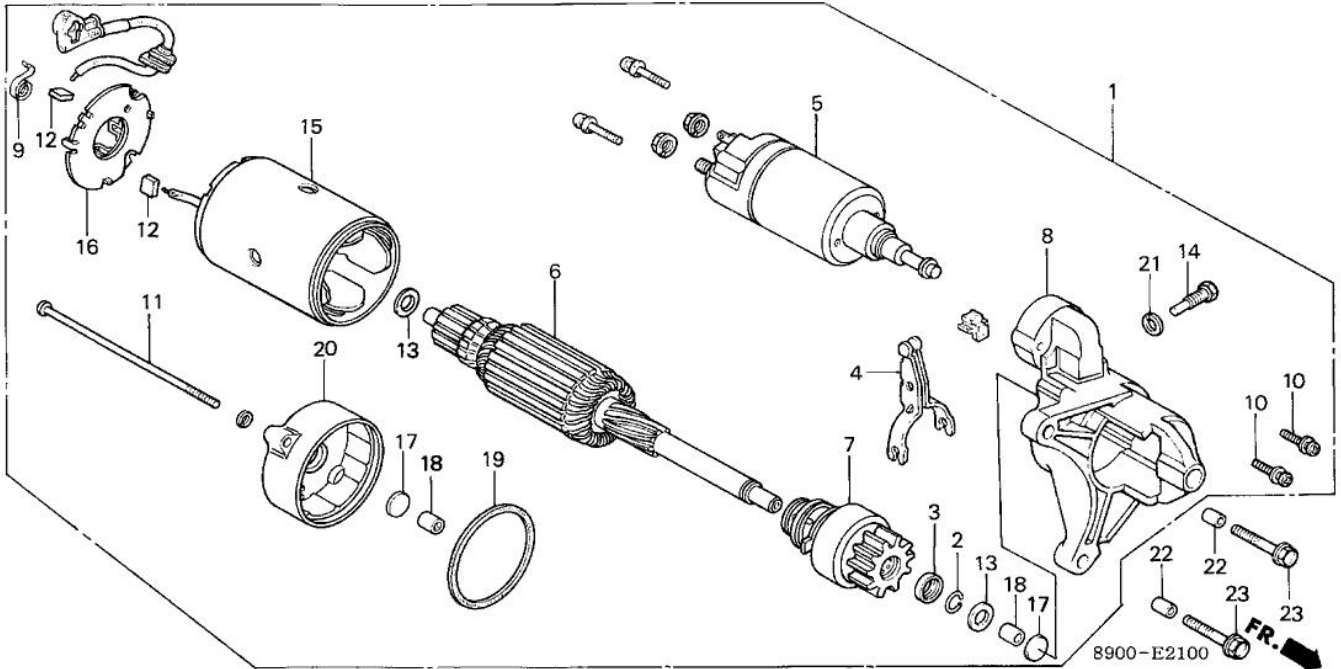
Ref.	Part Number	Part Description	Qty.
001	16551-890-010	ARM, GOVERNOR (NOT AVAILABLE)	001
002	16555-889-010	ROD, GOVERNOR	001
003	16561-890-010	SPRING, GOVERNOR	001
003	16561-890-020	SPRING, GOVERNOR	001
003	16561-890-601	SPRING, GOVERNOR	001
004	16562-889-000	SPRING, THROTTLE RETURN	001
004	16562-889-010	SPRING, THROTTLE RETURN (NOT AVAILABLE)	001
006	16570-883-661	CONTROL ASSY.	(1)
008	16571-883-300	LEVER, CONTROL	(1)
009	16574-883-300	SPRING, LEVER	(1)
010	16575-883-300	WASHER, CONTROL LEVER	(1)
011	16576-883-300	SPACER, CONTROL LEVER	(1)
012	16581-883-320	BASE, CONTROL LEVER	(1)
013	16582-883-300	HOLDER, CONTROL CABLE	(1)
014	16584-883-300	SPRING, CONTROL ADJUSTING	(1)
019	90013-883-000	BOLT, FLANGE (6X12) (CT200)	002
020	90352-883-003	WINGNUT (6MM)	(1)
023	92101-06025-0H	BOLT, HEX. (6X25)	001
026	93500-05010-0A	SCREW, PAN (5X10)	001
027	93500-05022-0A	SCREW, PAN (5X22)	(1)
030	94050-06080	NUT, FLANGE (6MM)	001

Section

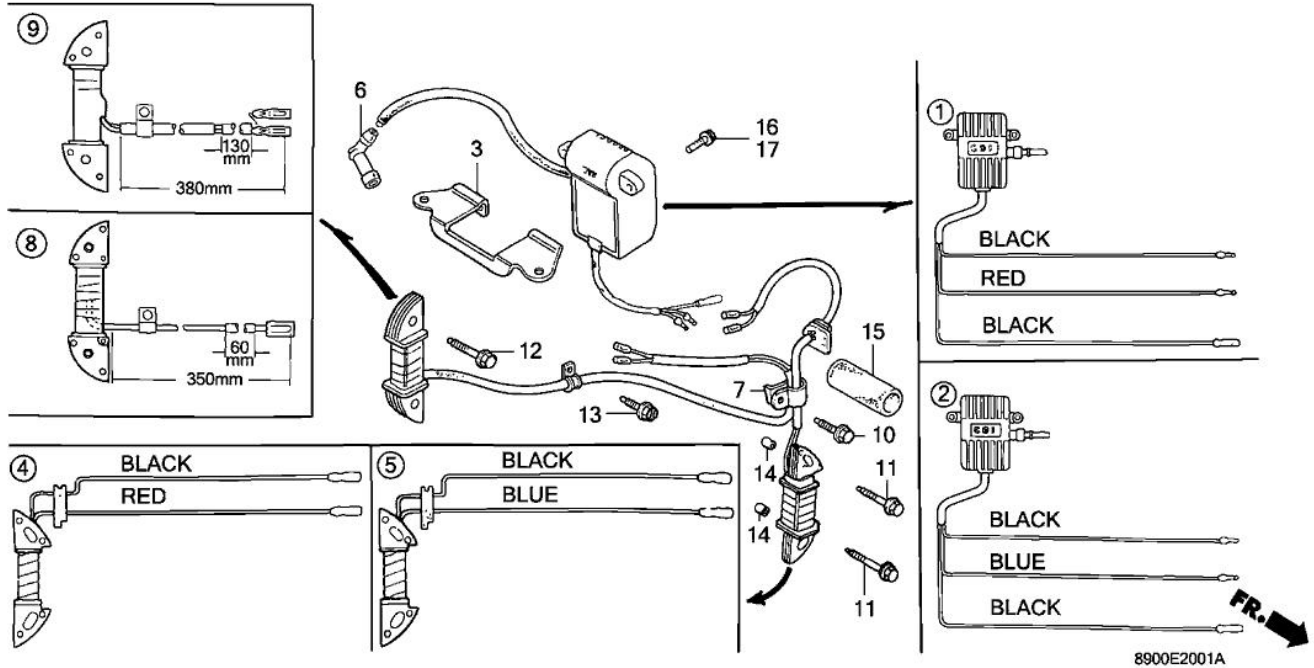
ENGINE

Illustration

STARTER MOTOR (1)



Ref.	Part Number	Part Description	Qty.
001	31200-890-802	STARTER MOTOR ASSY.	001
002	31201-590-004	RING, SNAP (NOT AVAILABLE)	001
003	31202-590-004	COLLAR, CLUTCH STOP	001
004	31203-611-004	LEVER, PINION DRIVE (NOT AVAILABLE)	001
005	31204-890-801	SWITCH, MAGNETIC (NOT AVAILABLE)	001
006	31206-890-801	ARMATURE (NOT AVAILABLE)	001
007	31207-890-801	PINION	001
008	31208-890-801	CASE, GEAR	001
009	31212-611-004	SPRING, BRUSH (NOT AVAILABLE)	002
010	31213-611-004	SCREW, MAGNETIC SWITCH SETTING	002
011	31214-611-004	BOLT, THROUGH (NOT AVAILABLE)	002
012	31215-890-801	BRUSH	002
013	31216-611-004	WASHER	002
014	31217-890-801	SCREW, POLE CORE SETTING	001
015	31218-890-801	COIL, FIELD (NOT AVAILABLE)	001
016	31231-890-801	HOLDER, BRUSH	001
017	31232-611-004	COVER, BEARING	002
018	31233-611-004	BUSH, BEARING	002
019	31234-611-004	GASKET, RUBBER PLATE	001
020	31219-611-004	COVER, RR.	001
021	94111-08000	WASHER, SPRING (8MM)	001
022	94301-10160	PIN, DOWEL (10X16)	002
023	95701-08035-08	BOLT, FLANGE (8X35)	002



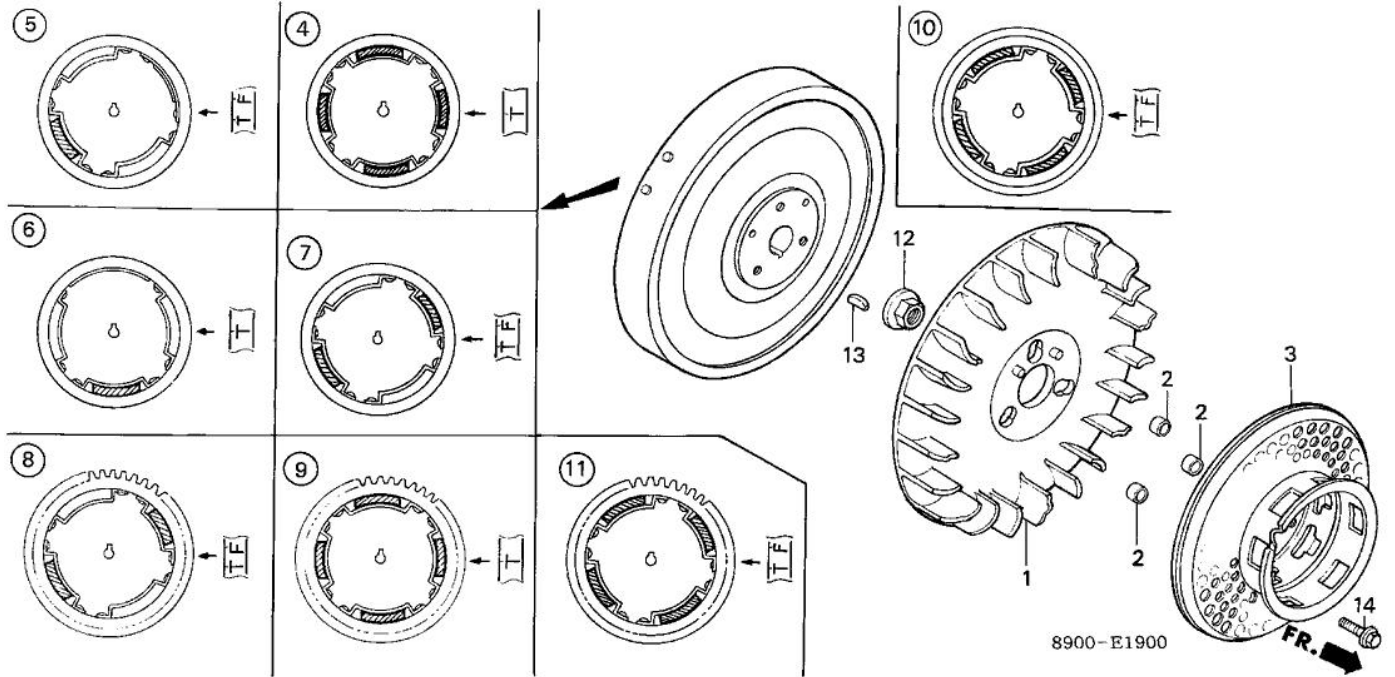
Ref.	Part Number	Part Description	Qty.
002	30580-890-781	LAMP UNIT, C.D.I. (STARTER)(LAMP)	(1)
002	30580-890-782	LAMP UNIT, C.D.I. (STARTER)(LAMP)	001
003	30586-889-730	STAY, IGNITION CONTROL MODULE (CDI)	(1)
005	30590-889-781	COIL ASSY., EXCITER LAMP (STARTER)(LAMP)	(1)
005	30590-889-782	COIL ASSY., EXCITER LAMP (STARTER)(LAMP)	(NOT AVAIL... 001
006	30700-890-000	CAP ASSY., NOISE SUPPRESSOR	(1)
006	30700-890-003	CAP ASSY., NOISE SUPPRESSOR	(NOT AVAILABLE) 001
007	30702-890-000	CLAMP, IGNITION WIRE	(1)
009	31630-890-801	COIL ASSY., CHARGE (SILICON RECTIFIER)	(NOT AVAILABLE) (1)
010	90013-883-000	BOLT, FLANGE (6X12) (CT200)	001
011	90015-883-000	BOLT, FLANGE (6X28) (CT200)	(2)
012	90017-883-000	BOLT, FLANGE (6X32) (CT200)	(2)
013	90019-883-000	BOLT, FLANGE (5X10)	(1)
014	94301-08140	PIN, DOWEL (8X14)	(2)
015	95003-60001-10M	HOSE, BULK (22X27X1000) OEM CUT SIZE: (22X27X60)	(1)
016	95701-06012-08	BOLT, FLANGE (6X12)	(2)

Section

ENGINE

Illustration

FLYWHEEL



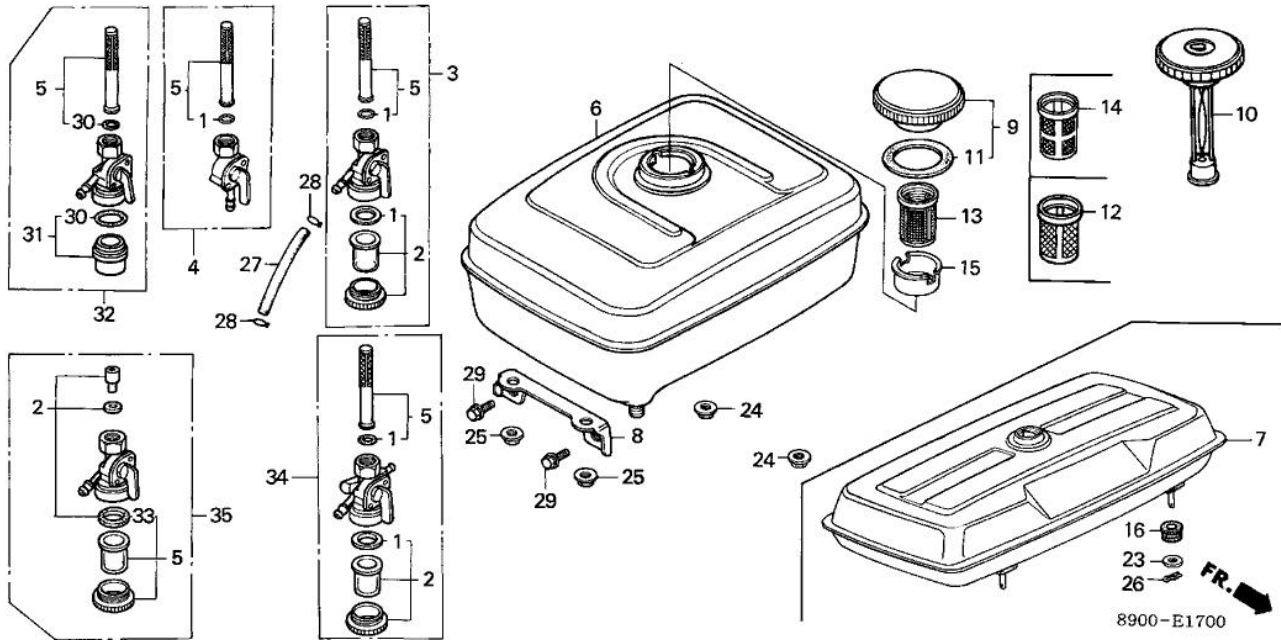
Ref.	Part Number	Part Description	Qty.
001	19511-890-010	FAN, COOLING	001
002	19512-883-000	COLLAR, FAN	003
009	31100-890-812	FLYWHEEL (C.D.I.+STARTER)	(1)
012	90201-889-000	NUT, SPECIAL (16X1.5)	001
012	90201-ZE3-790	NUT, SPECIAL (16MM)	001
013	94401-25180	KEY, WOODRUFF (25X18)	001
014	95701-06016-08	BOLT, FLANGE (6X16)	003

Section

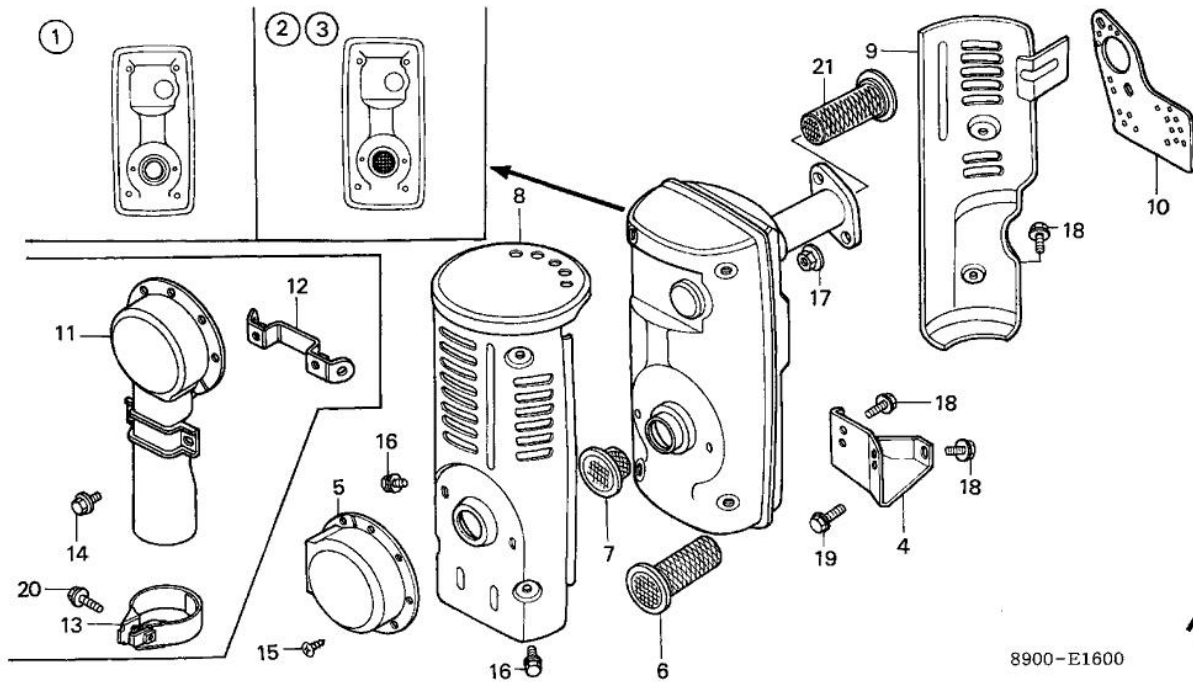
ENGINE

Illustration

FUEL TANK - FUEL PETCOCK (1)

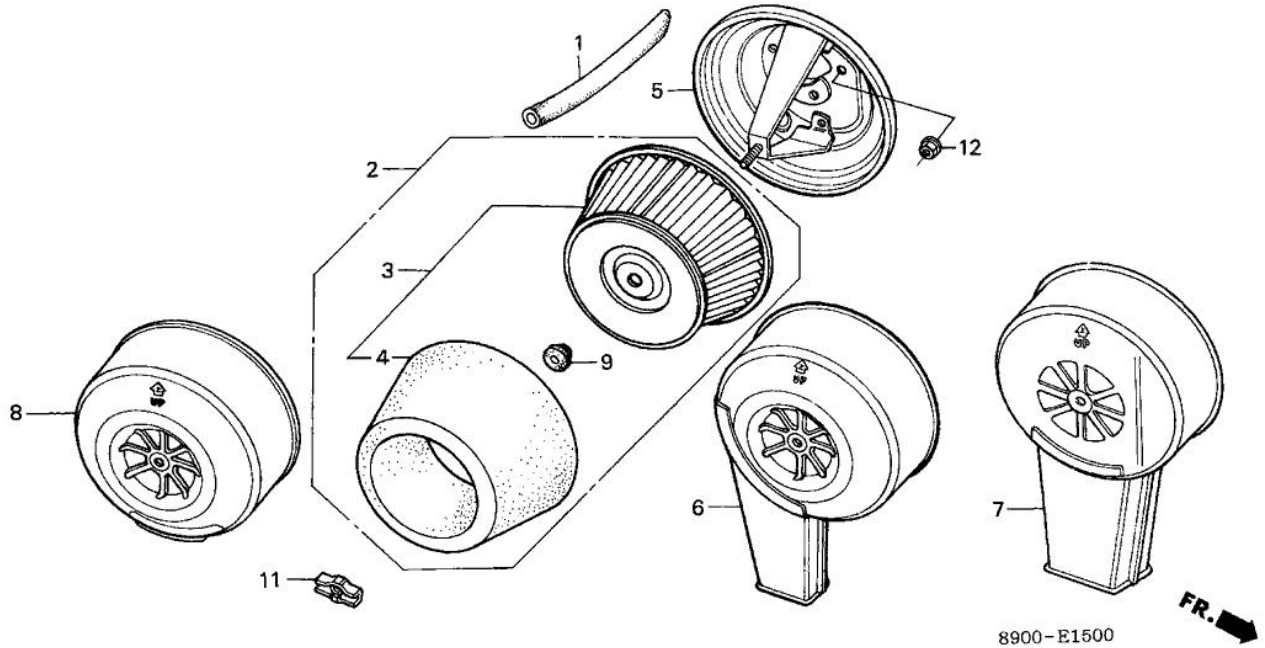


Ref.	Part Number	Part Description	Qty.
001	16080-883-005	GASKET SET, PETCOCK	(1)
002	16081-471-831	CUP, FUEL STRAINER	(1)
002	16081-883-015	CUP SET, FUEL STRAINER	(1)
003	16950-883-045	PETCOCK ASSY.	(1)
003	16950-898-633	PETCOCK ASSY.	(1)
004	16950-883-662	PETCOCK ASSY.	(1)
004	16950-883-663	PETCOCK ASSY.	(1)
005	16952-883-005	SCREEN SET	(1)
006	17510-890-000XC	TANK, FUEL *NH31R*(MCKINLEY WHITE)	001
006	17510-890-010XC	TANK, FUEL *NH31R*(MCKINLEY WHITE)	001
006	17510-890-690ZA	TANK, FUEL *NH31*(MCKINLEY WHITE)	(1)
008	17516-890-000	STAY, FUEL TANK	(NOT AVAILABLE)
009	17620-402-010	CAP, FUEL FILLER	(1)
009	17620-402-010	CAP, FUEL FILLER	001
009	17620-ZH7-023	CAP, FUEL FILLER (BLACK)	001
011	17631-329-003	GASKET, FUEL FILLER CAP (39X58X3)	001
013	17672-880-000	FILTER, FUEL	(1)
015	17673-893-000	HOLDER, FUEL FILTER	(1)
015	17673-893-000	HOLDER, FUEL FILTER	001
024	94050-08080	NUT, FLANGE (8MM)	(2)
025	94050-08080	NUT, FLANGE (8MM)	(2)
027	95001-45003-60M	BULK HOSE, FUEL (4.5X3000) OEM CUT SIZE: (4.5X85)	(1)
028	95002-02080	CLIP, TUBE (B8)	(2)
029	95701-08016-08	BOLT, FLANGE (8X16)	(2)
030	16080-898-631	GASKET SET, PETCOCK	(CONTAINS 1 LARGE & 1 SMALL. U...
031	16081-471-831	CUP, FUEL STRAINER	(1)
032	16950-898-631	PETCOCK ASSY.	(1)
033	16080-890-691	GASKET SET, PETCOCK	(NOT AVAILABLE)
034	16950-889-015	PETCOCK ASSY.	(1)
035	16950-890-693	PETCOCK ASSY.	(1)



8900-E1600

Ref.	Part Number	Part Description	Qty.
001	18310-890-600	MUFFLER	(1)
001	18310-890-602	MUFFLER	001
001	18310-890-735	MUFFLER	001
004	18320-890-731	STAY, MUFFLER	(1)
004	18320-890-731	STAY, MUFFLER	001
005	18331-889-010	DEFLECTOR, MUFFLER	(1)
005	18331-889-010	DEFLECTOR, MUFFLER	001
006	18335-890-000	ARRESTER, SPARK	(1)
007	18336-890-000	FLANGE, BAFFLE	(1)
008	18361-890-730	PROTECTOR A, MUFFLER	(1)
009	18365-890-730	PROTECTOR B, MUFFLER	(1)
010	18381-890-306	GASKET, MUFFLER	001
015	90183-671-003	SCREW, TAPPING (4X8)	002
016	90003-890-000	BOLT-WASHER (6X10)	004
016	92101-06008-0B	BOLT, HEX. (6X8)	(4)
017	94050-08080	NUT, FLANGE (8MM)	002
018	95701-06010-00	BOLT, FLANGE (6X10)	(4)
019	95701-08014-08	BOLT, FLANGE (8X14)	001
019	95701-08016-08	BOLT, FLANGE (8X16)	001
021	18335-890-000	ARRESTER, SPARK	(1)



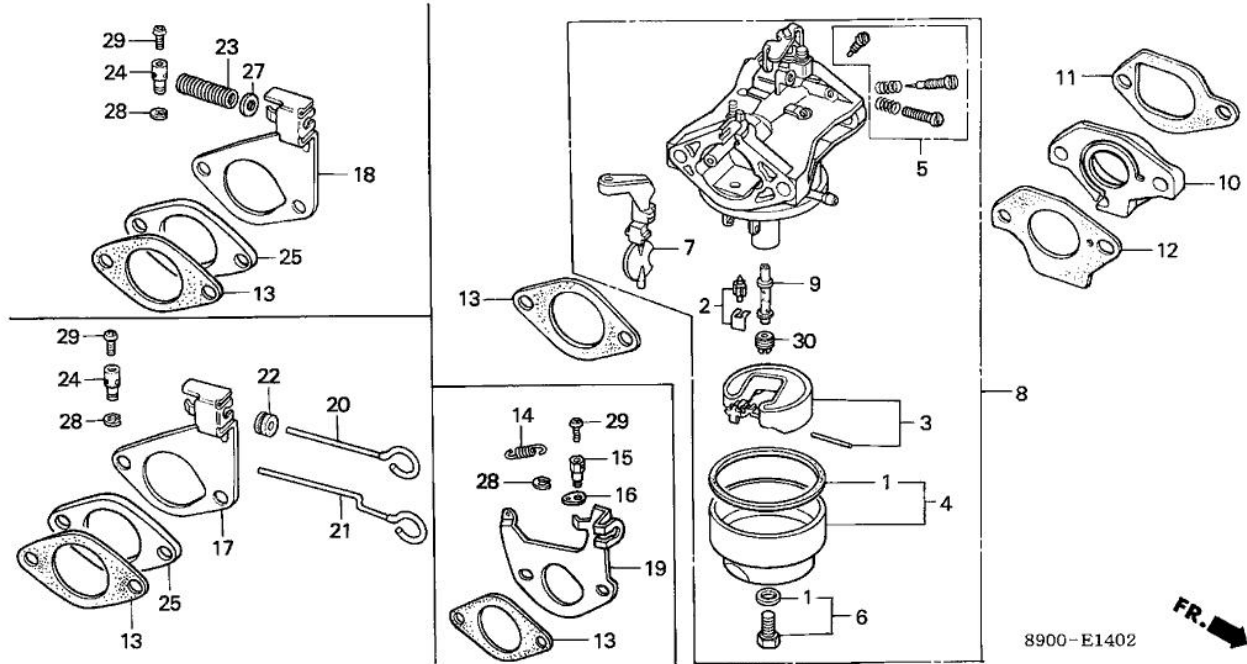
Ref.	Part Number	Part Description	Qty.
001	15721-890-010	TUBE, BREATHER	(1)
003	17211-890-023	ELEMENT, AIR CLEANER	(1)
003	17211-890-023	ELEMENT, AIR CLEANER	001
004	17218-890-003	FILTER (OUTER)	(NOT AVAILABLE)
004	17218-890-003	FILTER (OUTER)	001
005	17220-890-003	HOUSING, AIR CLEANER	(1)
005	17220-890-600	HOUSING, AIR CLEANER	(NOT AVAILABLE)
005	17220-890-600	HOUSING, AIR CLEANER	001
006	17230-890-731	COVER, AIR CLEANER	(1)
007	17230-890-740	COVER, AIR CLEANER	(NOT AVAILABLE)
007	17230-890-740	COVER, AIR CLEANER	(1)
008	17231-890-003	COVER, AIR CLEANER	(1)
008	17231-890-600	COVER, AIR CLEANER	(NOT AVAILABLE)
008	17231-890-600	COVER, AIR CLEANER	001
009	17232-890-010	GROMMET, AIR CLEANER	(1)
009	17232-890-010	GROMMET, AIR CLEANER	001
011	90203-PB2-000	NUT, AIR CLEANER COVER (DACRO COATING)	001
012	94050-06080	NUT, FLANGE (6MM)	(2)

Section

ENGINE

Illustration

CARBURETOR (3)



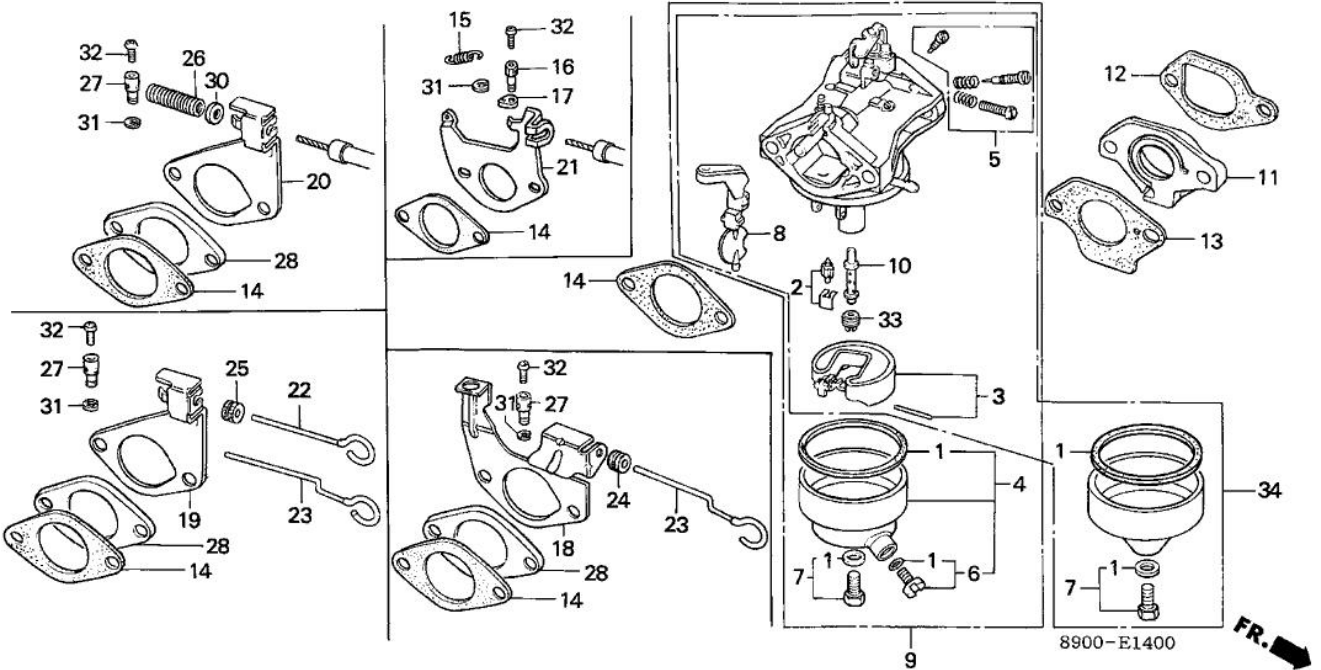
Ref.	Part Number	Part Description	Qty.
001	16010-883-015	GASKET SET (CARBURETOR NO.)	001
002	16011-KCK-910	VALVE SET, FLOAT	001
003	16013-890-015	FLOAT SET (CARBURETOR NO.)	001
005	16016-883-661	SCREW SET A (CARBURETOR NO.)	001
006	16028-883-005	SCREW SET B (CARBURETOR NO.)	001
007	16044-890-005	CHOKE SET (CARBURETOR NO.)	(NOT AVAILABLE)
008	16100-890-075	CARBURETOR ASSY. (BB35C G)	001
009	16166-890-731	NOZZLE, MAIN (CARBURETOR NO.)	001
010	16211-890-000	INSULATOR, CARBURETOR	(NOT AVAILABLE)
011	16212-890-306	GASKET, INSULATOR	001
011	16212-890-800	GASKET, INSULATOR	001
012	16221-890-306	GASKET, CARBURETOR	001
012	16221-890-800	GASKET, CARBURETOR	001
013	16269-890-306	GASKET, AIR CLEANER	002
013	16269-890-800	GASKET, AIR CLEANER	002
017	16598-889-731	STAY, CHOKE CONTROL	(NOT AVAILABLE)
020	16611-889-000	ROD, CHOKE CONTROL	(NOT AVAILABLE)
022	16613-890-000	GROMMET, CHOKE ROD	001
024	16617-890-010	HOLDER, CABLE	001
025	17229-890-690	SPACER, AIR CLEANER	(NOT AVAILABLE)
028	90605-230-000	CIRCLIP (5MM)	001
029	93500-04008-0A	SCREW, PAN (4X8)	001
030	99101-124-0880	JET, MAIN (#88) (CARBURETOR NO.)	(1)
030	99101-124-0900	JET, MAIN (#90) (CARBURETOR NO.)	(1)
030	99101-124-0920	JET, MAIN (#92) (CARBURETOR NO.)	(1)
030	99101-124-0950	JET, MAIN (#95) (CARBURETOR NO.)	(1)
030	99101-124-0980	JET, MAIN (#98) (CARBURETOR NO.)	(1)
030	99101-124-1000	JET, MAIN (#100) (CARBURETOR NO.)	(1)
030	99101-124-1020	JET, MAIN (#102) (CARBURETOR NO.)	001

Section

ENGINE

Illustration

CARBURETOR (1)



Ref.	Part Number	Part Description	Qty.
001	16010-883-015	GASKET SET	001
002	16011-KCK-910	VALVE SET, FLOAT	001
003	16013-890-015	FLOAT SET (CARBURETOR NO.)	001
004	16015-896-005	CHAMBER SET, FLOAT (CARBURETOR NO.)	(NOT AVAILABLE) 001
005	16016-728-631	SCREW SET A (CARBURETOR NO.)	(NOT AVAILABLE) (1)
005	16016-890-005	SCREW SET A (CARBURETOR NO.)	(1)
005	16016-890-015	SCREW SET A (CARBURETOR NO.)	(NOT AVAILABLE) 001
007	16028-883-005	SCREW SET B (CARBURETOR NO.)	001
008	16044-890-005	CHOKE SET (CARBURETOR NO.)	(NOT AVAILABLE) 001
010	16166-890-005	NOZZLE, MAIN (CARBURETOR NO.)	(NOT AVAILABLE) (1)
010	16166-890-731	NOZZLE, MAIN (CARBURETOR NO.)	001
011	16211-890-000	INSULATOR, CARBURETOR	(NOT AVAILABLE) 001
012	16212-890-306	GASKET, INSULATOR	001
012	16212-890-800	GASKET, INSULATOR	001
013	16221-890-306	GASKET, CARBURETOR	001
013	16221-890-800	GASKET, CARBURETOR	001
014	16269-890-306	GASKET, AIR CLEANER	002
014	16269-890-800	GASKET, AIR CLEANER	002
019	16598-889-731	STAY, CHOKE CONTROL	(NOT AVAILABLE) 001
022	16611-889-000	ROD, CHOKE CONTROL	(NOT AVAILABLE) 001
025	16613-890-000	GROMMET, CHOKE ROD	001
027	16617-890-010	HOLDER, CABLE	001
028	17229-890-690	SPACER, AIR CLEANER	(NOT AVAILABLE) 001
031	90605-230-000	CIRCLIP (5MM)	001
032	93500-04008-0A	SCREW, PAN (4X8)	001
033	99101-124-0880	JET, MAIN (#88) (CARBURETOR NO.)	(1)
033	99101-124-0900	JET, MAIN (#90) (CARBURETOR NO.)	(1)
033	99101-124-0920	JET, MAIN (#92) (CARBURETOR NO.)	(1)
033	99101-124-0920	JET, MAIN (#92) (CARBURETOR NO.)	(1)
033	99101-124-0950	JET, MAIN (#95) (CARBURETOR NO.)	(1)
033	99101-124-0980	JET, MAIN (#98) (CARBURETOR NO.)	(1)
033	99101-124-1000	JET, MAIN (#100) (CARBURETOR NO.)	(1)

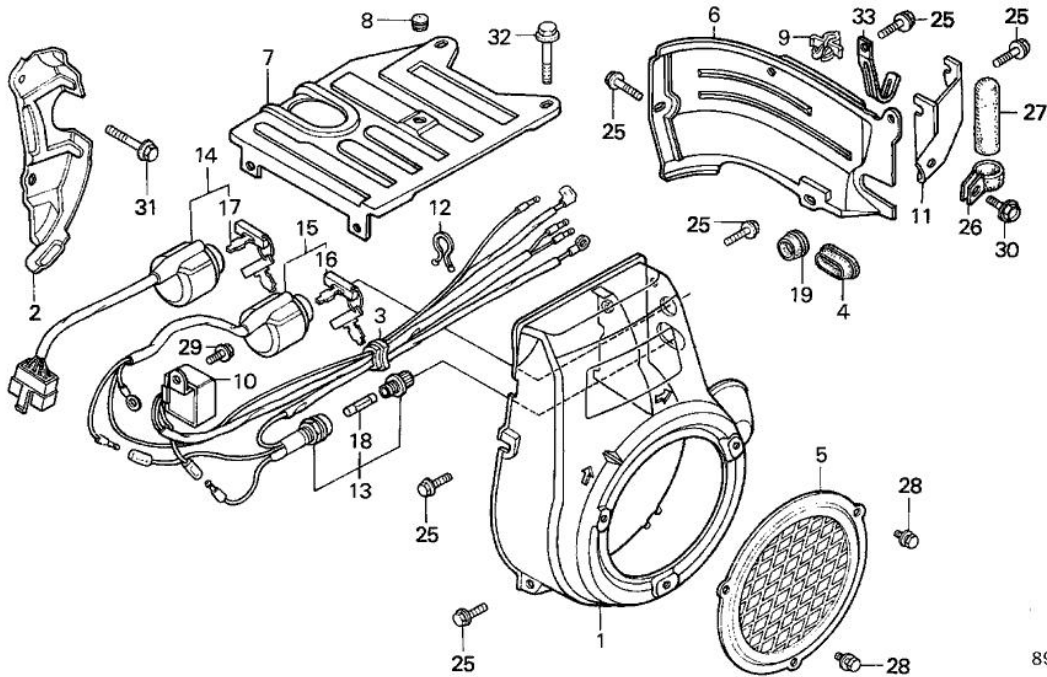
Ref.	Part Number	Part Description	Qty.
033	99101-124-1020	JET, MAIN (#102) (CARBURETOR NO.)	001
034	16100-890-005	CARBURETOR ASSY. (BB35A A)	(NOT AVAILABLE) (1)
034	16100-890-015	CARBURETOR ASSY. (BB35A B)	(NOT AVAILABLE) (1)
034	16100-890-075	CARBURETOR ASSY. (BB35C G)	001

Section

ENGINE

Illustration

FAN COVER - SIDE PLATE (2)



8900-E1201

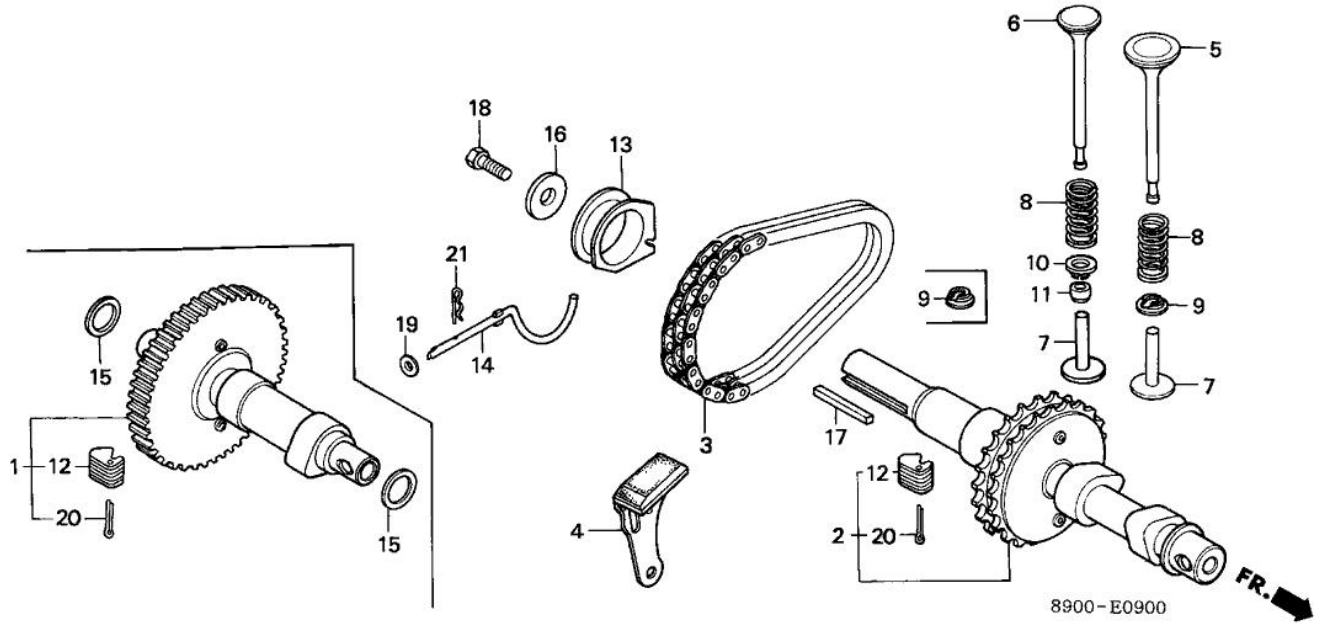
Ref.	Part Number	Part Description	Qty.
001	19610-890-801ZA	COVER, FAN *R8*(BRIGHT RED)	001
002	19611-890-800	PLATE, SIDE	(1)
003	19613-889-800	GROMMET, SWITCH CORD	(1)
005	19620-890-800ZA	PROTECTOR, FAN COVER *R8*(BRIGHT RED)	(1)
006	19631-890-010ZA	SHROUD *R8*(BRIGHT RED)	001
007	19641-890-010ZB	COVER, TOP *R8*(BRIGHT RED)	001
008	19643-883-010	GROMMET, TOP COVER	001
009	30701-883-000	CLIP, IGNITION WIRE (8MM)	001
010	31700-890-801	RECTIFIER, SILICON	(1)
011	32112-890-000	STAY, CLAMP	(1)
012	90630-751-000	CLIP, PURSE LOCK	(1)
013	32130-890-003	HOLDER, FUSE (1.5A)	001
014	35100-ZA0-013	SWITCH ASSY., COMBINATION	001
014	35100-ZA0-023	SWITCH ASSY., COMBINATION	001
015	35100-890-801	SWITCH ASSY., COMBINATION	(1)
016	35111-862-003	KEY	(1)
017	35111-880-013	KEY (HONDALOCK)	(2)
018	38201-883-003	FUSE (1.5A)	(1)
025	90013-883-000	BOLT, FLANGE (6X12) (CT200)	006
026	91405-890-780	CLIP, CORD	(1)
027	91408-890-780	TUBE, CORD (25MM)	(1)
028	93401-06010-08	BOLT-WASHER (6X10)	(3)
029	95700-06010-08	BOLT, FLANGE (6X10)	(1)
029	95701-06010-08	BOLT, FLANGE (6X10)	(1)
030	95701-06012-08	BOLT, FLANGE (6X12)	(1)
031	95701-08020-08	BOLT, FLANGE (8X20)	(2)

Section

ENGINE

Illustration

CAMSHAFT



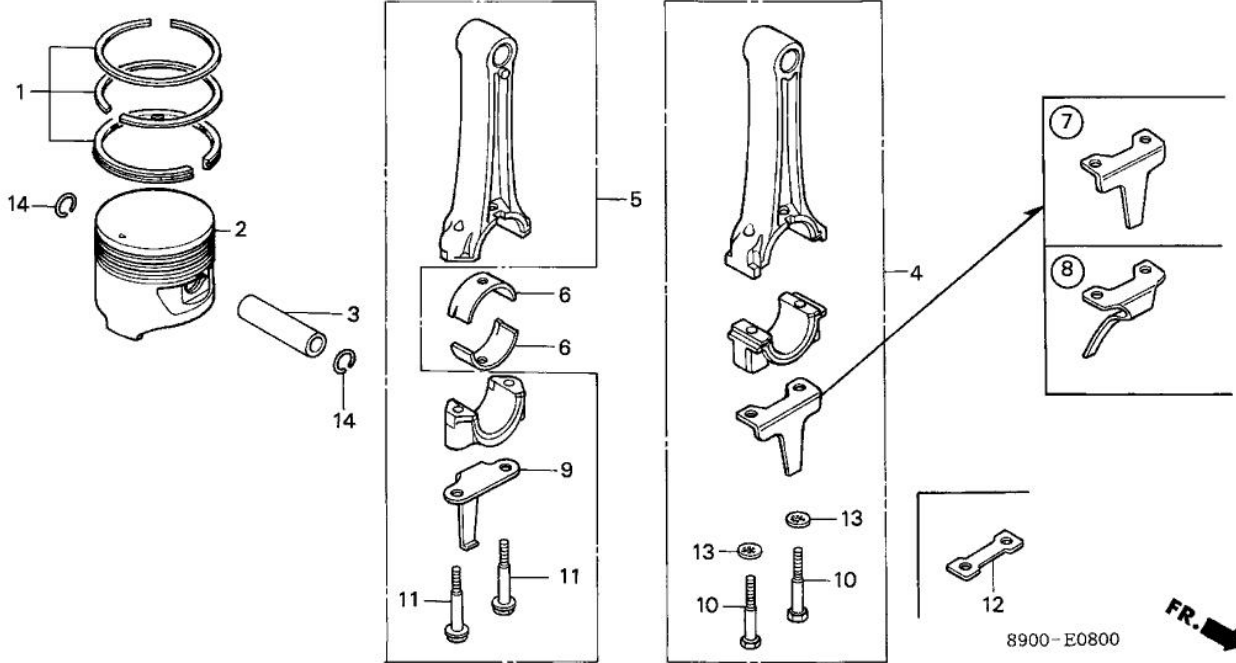
Ref.	Part Number	Part Description	Qty.
001	14110-890-020	CAMSHAFT ASSY.	001
001	14110-890-030	CAMSHAFT ASSY.	001
001	14110-890-040	CAMSHAFT ASSY.	(NOT AVAILABLE)
005	14711-890-000	VALVE, IN.	001
006	14721-890-000	VALVE, EX.	001
006	14721-ZA1-000	VALVE, EX.	001
007	14732-889-000	LIFTER, VALVE (45.89MM)	(2)
007	14737-889-000	LIFTER, VALVE (46.04MM)	(2)
007	14742-889-000	LIFTER, VALVE (46.19MM)	(2)
007	14747-889-000	LIFTER, VALVE (46.34MM)	(2)
008	14751-890-000	SPRING, VALVE	(NOT AVAILABLE)
009	14771-883-305	RETAINER, VALVE SPRING	001
009	14771-883-305	RETAINER, VALVE SPRING	002
010	14771-889-000	RETAINER, VALVE SPRING	001
011	14781-890-000	ROTATOR, EX. VALVE	001
012	16511-883-300	WEIGHT, GOVERNOR	014
013	16531-890-000	SLIDER, GOVERNOR	001
014	16541-889-610	SHAFT, GOVERNOR ARM	001
015	90452-883-000	WASHER, THRUST (18MM)	002
019	94101-06800	WASHER, PLAIN (6MM)	001
020	94201-30250	PIN, SPLIT (3.0X25)	002
020	94201-30450	PIN, SPLIT (3.0X45)	002
021	94251-10400	PIN, LOCK (10MM)	001

Section

ENGINE

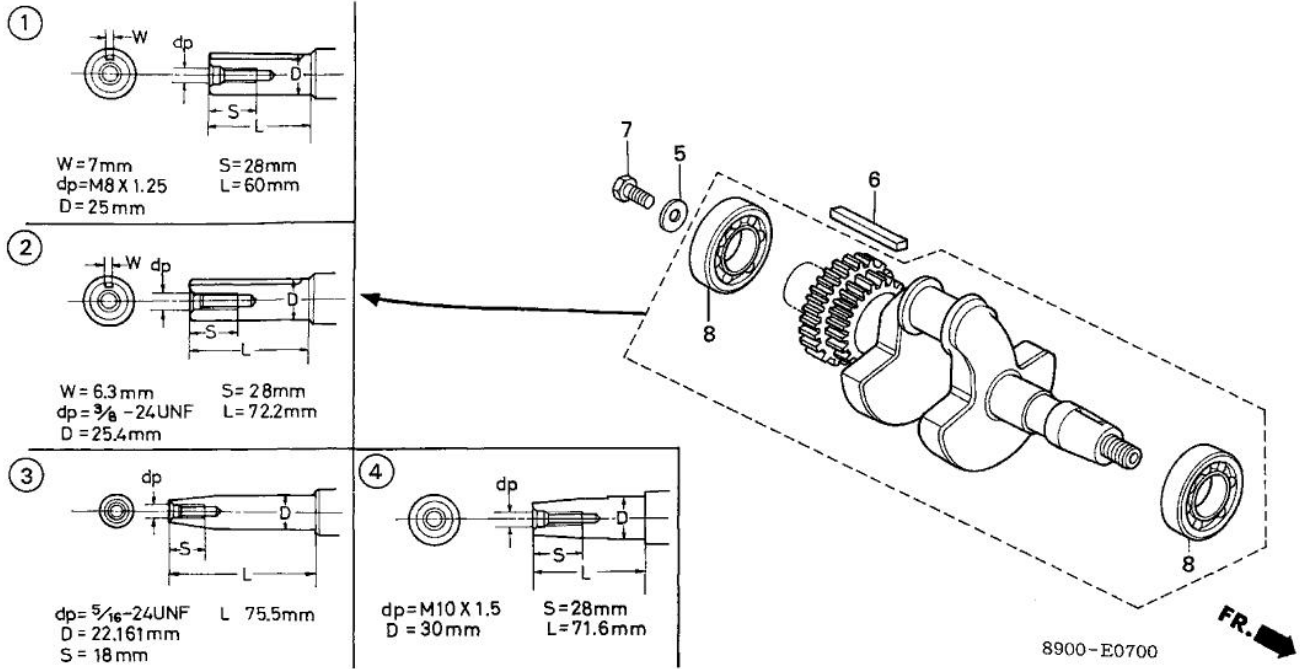
Illustration

PISTON - CONNECTING ROD



Ref.	Part Number	Part Description		Qty.
001	13010-890-010	RING SET, PISTON (STD)	(NOT AVAILABLE)	001
001	13011-890-010	RING SET, PISTON (0.25)		(1)
001	13012-YA2-003	RING SET, PISTON (0.50)		(1)
001	13013-890-010	RING SET, PISTON (0.75)	(NOT AVAILABLE)	(1)
002	13101-890-010	PISTON (STD)		001
002	13102-890-010	PISTON (0.25)		(1)
002	13103-890-010	PISTON (0.50)		(1)
002	13104-890-010	PISTON (0.75)		(1)
003	13111-890-000	PIN, PISTON		001
004	13200-890-000	ROD ASSY., CONNECTING		001
004	13200-890-010	ROD ASSY., CONNECTING		001
004	13200-890-030	ROD ASSY., CONNECTING	(NOT AVAILABLE)	001
004	13200-890-040	ROD ASSY., CONNECTING	(NOT AVAILABLE)	001
004	13200-890-305	ROD ASSY., CONNECTING (UNDER SIZE)		(1)
004	13200-890-315	ROD ASSY., CONNECTING (UNDER SIZE)		(1)
004	13200-890-335	ROD ASSY., CONNECTING (UNDER SIZE)	(NOT AVAILABLE)	(1)
004	13200-890-345	ROD ASSY., CONNECTING (UNDER SIZE)	(NOT AVAILABLE)	(1)
005	13200-890-050	ROD ASSY., CONNECTING		001
006	13225-890-003	BEARING A, CONNECTING ROD (BLACK)		(2)
006	13226-890-003	BEARING B, CONNECTING ROD (BROWN)	(NOT AVAILABLE)	(2)
006	13227-890-003	BEARING C, CONNECTING ROD (GREEN)		(2)
006	13228-890-003	BEARING D, CONNECTING ROD (YELLOW)	(NOT AVAILABLE)	(2)
006	13229-890-003	BEARING E, CONNECTING ROD (PINK)	(NOT AVAILABLE)	(2)
007	13281-890-000	DIPPER, CONNECTING ROD		001
007	13281-890-020	DIPPER, CONNECTING ROD	(NOT AVAILABLE)	001
008	13281-890-030	DIPPER, CONNECTING ROD	(NOT AVAILABLE)	001
009	13281-890-040	DIPPER, CONNECTING ROD	(NOT AVAILABLE)	001
010	90001-890-000	BOLT, CONNECTING ROD (8MM)	(NOT AVAILABLE)	002
010	90001-890-020	BOLT, CONNECTING ROD (8MM)	(NOT AVAILABLE)	002
011	90001-890-040	BOLT, CONNECTING ROD (8MM)		002
012	90501-947-000	WASHER, LOCK (8MM)		001
013	90501-947-000	WASHER, LOCK (8MM)		002

Ref.	Part Number	Part Description	Qty.
014	94601-19000	CLIP, PISTON PIN (19MM)	002



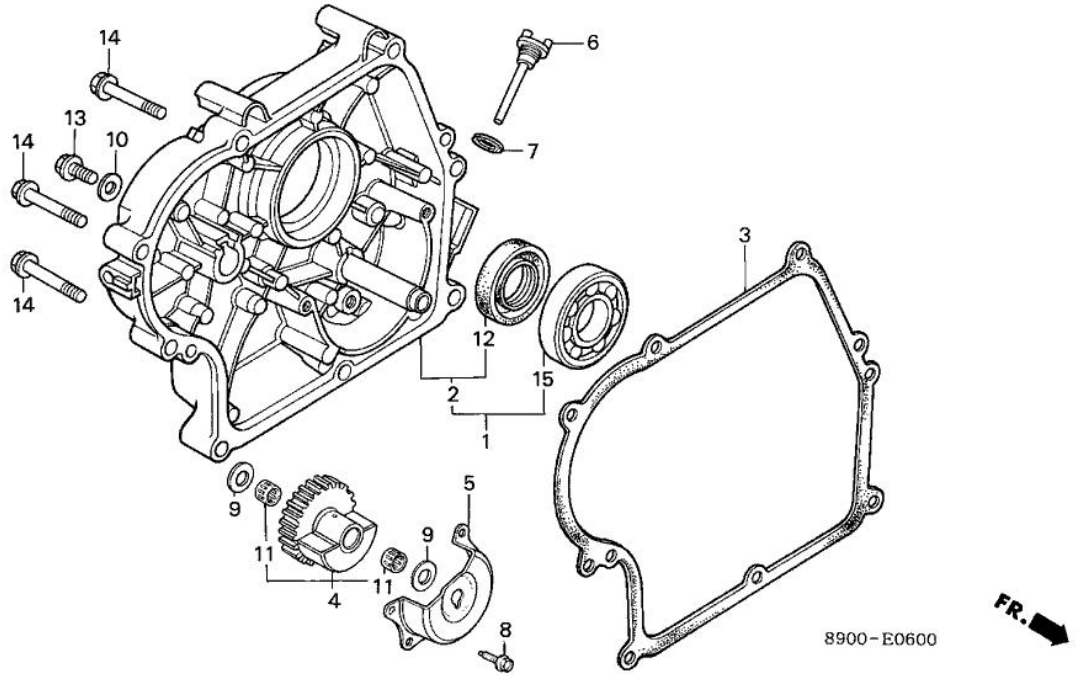
Ref.	Part Number	Part Description	Qty.
002	13310-890-662	CRANKSHAFT	001
008	96100-62060-00	BEARING, RADIAL BALL (6206)	001
008	96100-62060-00	BEARING, RADIAL BALL (6206)	002

Section

ENGINE

Illustration

CRANKCASE COVER (1)



Ref.	Part Number	Part Description	Qty.
001	11300-890-661	COVER ASSY., CRANKCASE	001
002	11300-890-661	COVER ASSY., CRANKCASE	001
003	11381-890-000	GASKET, CASE COVER (NOT AVAILABLE)	001
004	13350-890-010	WEIGHT, BALANCER	001
005	13354-890-000	COVER, BALANCER (NOT AVAILABLE)	001
006	15620-890-000	CAP, OIL FILLER (YELLOW)	(1)
008	90013-883-000	BOLT, FLANGE (6X12) (CT200)	004
008	90061-161-000	BOLT, FLANGE (6X16)	004
009	90454-360-000	WASHER, THRUST (15MM)	002
010	90488-700-000	WASHER A (8MM)	001
011	91021-890-000	BEARING, NEEDLE	002
012	91201-890-003	OIL SEAL (30X46X8)	001
013	95701-08012-08	BOLT, FLANGE (8X12)	001
013	95701-08014-08	BOLT, FLANGE (8X14)	001
014	95700-08045-08	BOLT, FLANGE (8X45)	008
014	95701-08045-08	BOLT, FLANGE (8X45)	008
015	96100-62060-00	BEARING, RADIAL BALL (6206)	001