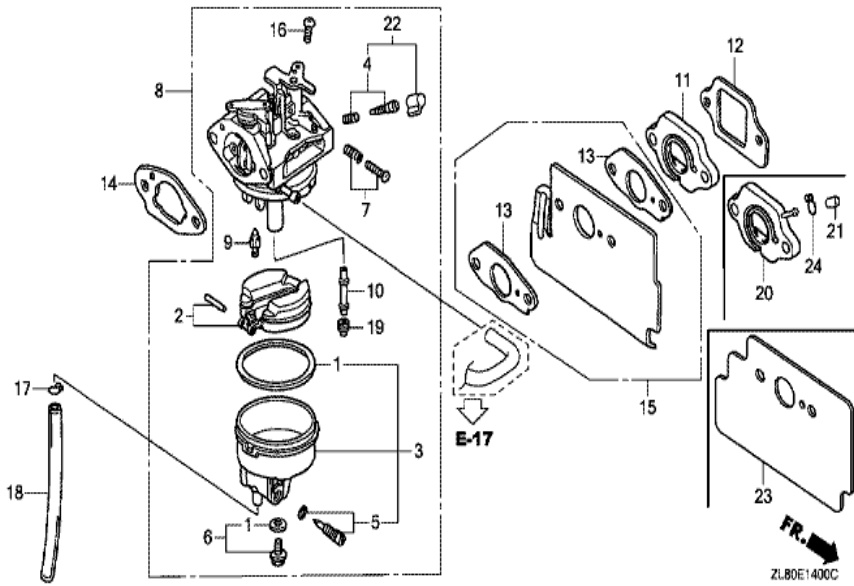


ZL80-E1100

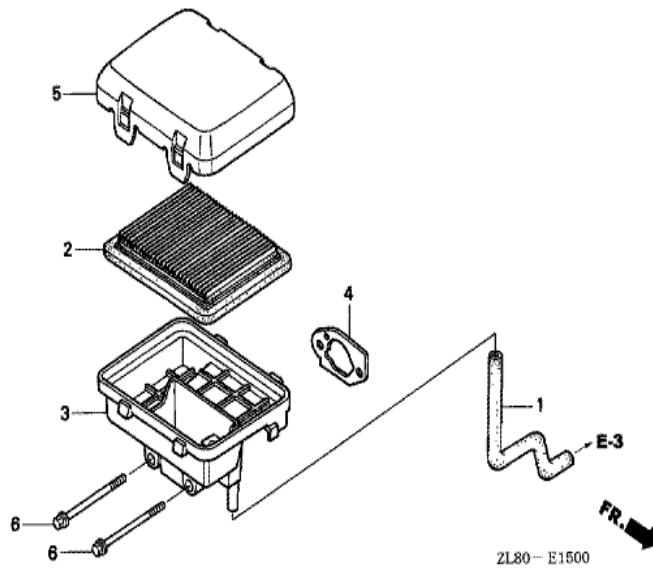


| <u>Ref</u> | <u>Partnumber</u> | <u>Description</u> | <u>GC135</u> | <u>Serial Numbers</u> | |
|------------|-------------------|-------------------------------|--------------|-----------------------|---------|
| 001 | 28400-ZL8-003ZA | STARTER ASSY., RECOIL *NH1 * | 1 | 1210407 | |
| 001 | 28400-ZL8-003ZA | STARTER ASSY., RECOIL *NH1 * | 1 | 1077762 | |
| 001 | 28400-ZL8-003ZA | STARTER ASSY., RECOIL *NH1 * | 1 | 1077762 | |
| 001 | 28400-ZL8-003ZB | STARTER ASSY., RECOIL *R8 * | 1 | 1210407 | |
| 001 | 28400-ZL8-003ZB | STARTER ASSY., RECOIL *R8 * | 1 | 1077762 | |
| 001 | 28400-ZL8-003ZB | STARTER ASSY., RECOIL *R8 * | 1 | 1077762 | |
| 001 | 28400-ZL8-013ZA | STARTER ASSY., RECOIL *NH1 * | 1 | 1210408 | |
| 001 | 28400-ZL8-013ZA | STARTER ASSY., RECOIL *NH1 * | 1 | | |
| 001 | 28400-ZL8-013ZA | STARTER ASSY., RECOIL *NH1 * | 1 | 1077763 | |
| 001 | 28400-ZL8-013ZB | STARTER ASSY., RECOIL *R8 * | 1 | 1210408 | 1804973 |
| 001 | 28400-ZL8-013ZB | STARTER ASSY., RECOIL *R8 * | 1 | | 1804973 |
| 001 | 28400-ZL8-013ZB | STARTER ASSY., RECOIL *R8 * | 1 | 1077763 | 1245479 |
| 001 | 28400-ZL8-013ZC | STARTER ASSY., RECOIL *R280 * | 1 | 1245480 | |
| <u>Ref</u> | <u>Partnumber</u> | <u>Description</u> | <u>GC135</u> | <u>Serial Numbers</u> | |
| 001 | 28400-ZL8-013ZC | STARTER ASSY., RECOIL *R280 * | 1 | | |
| 001 | 28400-ZL8-013ZC | STARTER ASSY., RECOIL *R280 * | 1 | 1245480 | |
| 002 | 28461-ZL8-003 | GRIP, STARTER | 1 | | |
| 003 | 28462-ZL8-003 | ROPE, RECOIL STARTER | 1 | | |

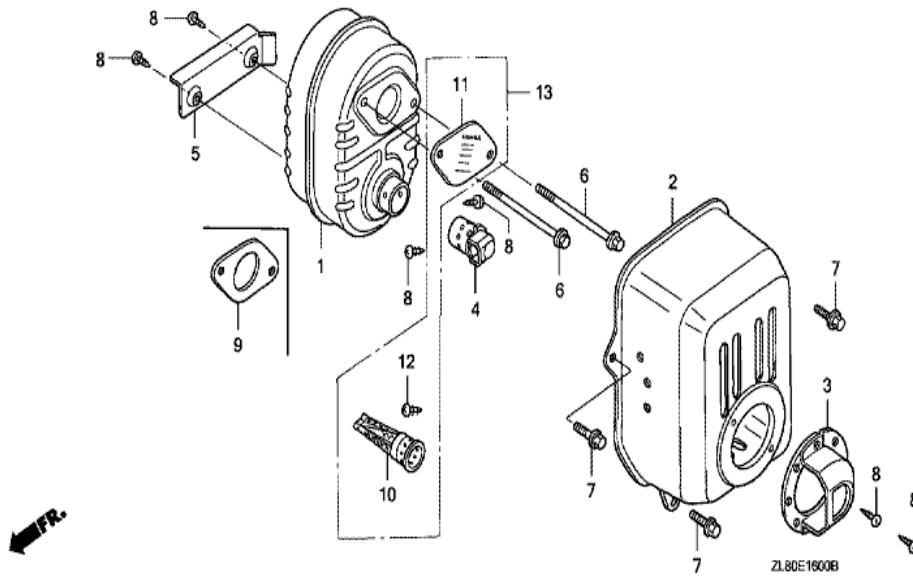


| Ref | Partnumber | Description | GC135 | Serial Numbers |
|-----|---------------|----------------------------|-------|-----------------|
| 001 | 16010-883-015 | PACKING SET | 1 | |
| 002 | 16013-ZL1-003 | FLOAT SET | 1 | |
| 003 | 16015-ZL8-003 | CHAMBER SET, FLOAT | 1 | |
| 004 | 16016-892-005 | SCREW SET A | 1 | BB61A C |
| 004 | 16016-892-005 | SCREW SET A | 1 | BB63A B |
| 005 | 16024-124-760 | SCREW SET, DRAIN | 1 | |
| 006 | 16028-ZE0-005 | SCREW SET | 1 | |
| 007 | 16029-ZG0-901 | SCREW SET (THROTTLE STOP) | 1 | |
| 008 | 16100-ZL9-003 | CARBURETOR ASSY. (BB63A A) | 1 | 1054664 |
| 008 | 16100-ZL9-003 | CARBURETOR ASSY. (BB63A A) | 1 | 1054664 |
| 008 | 16100-ZL9-003 | CARBURETOR ASSY. (BB63A A) | 1 | 1054664 |
| 008 | 16100-ZL9-013 | CARBURETOR ASSY. (BB63A B) | 1 | 1054665 1122153 |
| 008 | 16100-ZL9-013 | CARBURETOR ASSY. (BB63A B) | 1 | 1054665 1122153 |

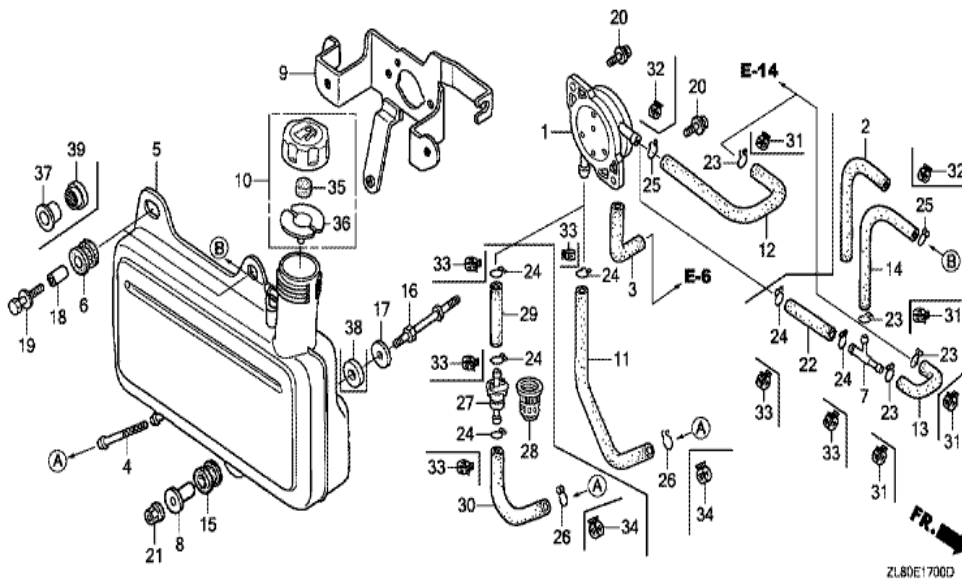
| <u>Ref</u> | <u>Partnumber</u> | <u>Description</u> | <u>GC135</u> | <u>Serial Numbers</u> |
|------------|-------------------|--|--------------|-----------------------|
| 008 | 16100-ZL9-013 | CARBURETOR ASSY. (BB63A B) | 1 | 1054665 1122153 |
| 008 | 16100-ZL9-802 | CARBURETOR ASSY. (BB63B B) | 1 | 1122154 |
| 008 | 16100-ZL9-802 | CARBURETOR ASSY. (BB63B B) | 1 | 1122154 |
| 008 | 16100-ZL9-802 | CARBURETOR ASSY. (BB63B B) | 1 | 1122154 |
| 009 | 16155-ZL8-003 | VALVE COMP., FLOAT | 1 | |
| 010 | 16166-ZL9-003 | NOZZLE, MAIN | 1 | |
| 010 | 16166-ZL9-003 | NOZZLE, MAIN | 1 | |
| 010 | 16166-ZL9-003 | NOZZLE, MAIN | 1 | |
| 011 | 16211-ZL8-000 | INSULATOR, CARBURETOR | 1 | |
| 011 | 16211-ZL8-000 | INSULATOR, CARBURETOR | 1 | |
| 012 | 16212-ZL8-000 | PACKING, INSULATOR | 1 | |
| 013 | 16221-883-800 | PACKING, CARBURETOR | 2 | |
| 014 | 16228-ZL8-000 | PACKING, CARBURETOR | 1 | |
| 015 | 19650-ZL9-000 | GUIDE COMP., AIR | 1 | 1203565 |
| 015 | 19650-ZL9-000 | GUIDE COMP., AIR | 1 | |
| 016 | 93500-050061H | SCREW, PAN, 5X6 | 1 | |
| 017 | 95002-02650 | CLIP, TUBE (B6.5) | 1 | |
| 018 | 95003-0701531 | TUBE, VINYL, 4X7X150 (95003-07001-60M) | 1 | |
| 019 | 99101-1240550 | JET, MAIN, #55 | (1) | |
| 019 | 99101-1240580 | JET, MAIN, #58 | (1) | |
| 019 | 99101-1240580 | JET, MAIN, #58 | (1) | |
| 019 | 99101-1240600 | JET, MAIN, #60 | (1) | |
| 019 | 99101-1240600 | JET, MAIN, #60 | 1 | |
| 022 | 16016-ZG0-W00 | SCREW SET | 1 | |
| 022 | 16016-ZG0-W00 | SCREW SET | 1 | BB63B B |



| <u>Ref</u> | <u>Partnumber</u> | <u>Description</u> | <u>GC135</u> | <u>Serial Numbers</u> |
|------------|-------------------|-----------------------------|--------------|-----------------------|
| 001 | 15721-ZL9-000 | TUBE, BREATHER | 1 | |
| 001 | 15721-ZL9-000 | TUBE, BREATHER | 1 | |
| 002 | 17211-ZL8-003 | ELEMENT, AIR CLEANER | 1 | |
| 002 | 17211-ZL8-003 | ELEMENT, AIR CLEANER | 1 | |
| 003 | 17220-ZL8-000 | CASE COMP., AIR CLEANER | 1 | |
| 004 | 17228-ZL8-000 | PACKING, AIR CLEANER | 1 | |
| 004 | 17228-ZL8-000 | PACKING, AIR CLEANER | 1 | |
| 005 | 17231-ZL8-010 | COVER, AIR CLEANER | 1 | 1283788 |
| 005 | 17231-ZL8-010 | COVER, AIR CLEANER | 1 | 1283788 |
| 005 | 17231-ZL8-010 | COVER, AIR CLEANER | 1 | 1283788 |
| 005 | 17231-ZL8-020 | COVER, AIR CLEANER | 1 | 1283789 |
| 005 | 17231-ZL8-020 | COVER, AIR CLEANER | 1 | |
| 005 | 17231-ZL8-020 | COVER, AIR CLEANER | 1 | 1283789 |
| <u>Ref</u> | <u>Partnumber</u> | <u>Description</u> | <u>GC135</u> | <u>Serial Numbers</u> |
| 006 | 90003-ZL8-000 | BOLT, FLANGE, 6X112 (CT200) | 2 | |
| 006 | 90003-ZL8-000 | BOLT, FLANGE, 6X112 (CT200) | 2 | |



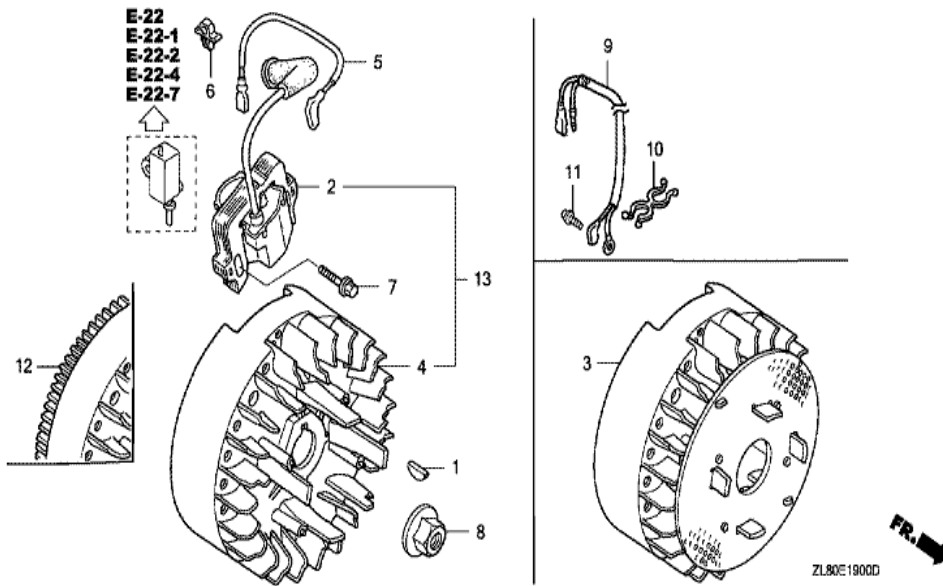
| Ref | Partnumber | Description | GC135 | Serial Numbers |
|-----|---------------|----------------------------|-------|----------------|
| 001 | 18310-ZL9-000 | MUFFLER COMP. | 1 | 1199934 |
| 001 | 18310-ZL9-000 | MUFFLER COMP. | 1 | |
| 001 | 18310-ZL9-000 | MUFFLER COMP. | 1 | |
| 002 | 18321-ZL8-000 | PROTECTOR, MUFFLER | 1 | |
| 002 | 18321-ZL8-000 | PROTECTOR, MUFFLER | 1 | |
| 005 | 19664-ZL8-000 | SHROUD, MUFFLER | 1 | |
| 006 | 90004-ZL8-000 | BOLT, FLANGE, 6X79 (CT200) | 2 | |
| 007 | 90013-883-000 | BOLT, FLANGE, 6X12 (CT200) | 3 | |
| 008 | 90055-ZE1-000 | SCREW, TAPPING, 4X6 | 2 | |
| 009 | 18381-ZL8-305 | GASKET, MUFFLER | (1) | |



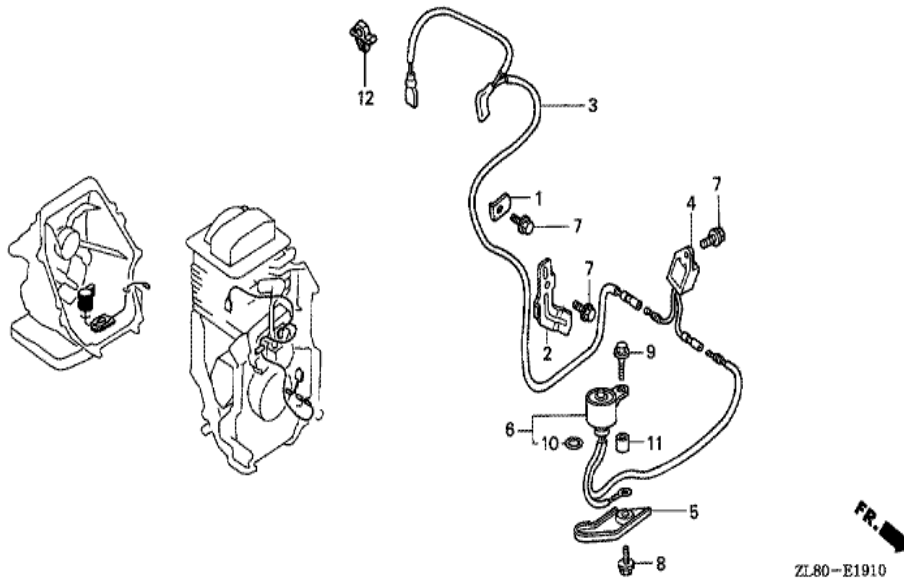
ZL80E1700D

| Ref | Partnumber | Description | GC135 | Serial Numbers |
|-----|---------------|---------------------------|-------|----------------|
| 001 | 16700-ZL8-003 | PUMP ASSY., FUEL | 1 | 1825178 |
| 001 | 16700-ZL8-003 | PUMP ASSY., FUEL | 1 | 1257082 |
| 001 | 16700-ZL8-013 | PUMP ASSY., FUEL | 1 | 1174757 |
| 001 | 16700-ZL8-013 | PUMP ASSY., FUEL | 1 | 1257083 |
| 003 | 16882-ZL9-000 | TUBE, DIAPHRAGM | 1 | |
| 003 | 16882-ZL9-000 | TUBE, DIAPHRAGM | 1 | |
| 004 | 16952-ZA8-800 | STRAINER, FUEL | 1 | |
| 004 | 16952-ZA8-800 | STRAINER, FUEL | 1 | |
| 005 | 17511-ZL9-000 | TANK, FUEL | 1 | |
| 005 | 17511-ZL9-000 | TANK, FUEL | 1 | |
| 005 | 17511-ZL9-000 | TANK, FUEL | 1 | |
| 006 | 17516-ZV0-000 | RUBBER B, TANK MOUNTING | 2 | |
| 008 | 17535-166-000 | COLLAR, FR. COVER SETTING | 1 | |

| <u>Ref</u> | <u>Partnumber</u> | <u>Description</u> | <u>GC135</u> | <u>Serial Numbers</u> |
|------------|-------------------|-------------------------------|--------------|-----------------------|
| 009 | 17561-ZL9-000 | STAY A, FUEL TANK | 1 | |
| 009 | 17561-ZL9-000 | STAY A, FUEL TANK | 1 | |
| 010 | 17620-ZL8-003 | CAP ASSY., FUEL TANK | 1 | 1709716 |
| 010 | 17620-ZL8-003 | CAP ASSY., FUEL TANK | 1 | 1176146 |
| 010 | 17620-ZL8-013 | CAP ASSY., FUEL TANK | 1 | 1709717 |
| 010 | 17620-ZL8-013 | CAP ASSY., FUEL TANK | 1 | 1176147 |
| 011 | 17701-ZL8-000 | TUBE, FUEL TANK | 1 | |
| 011 | 17701-ZL8-000 | TUBE, FUEL TANK | 1 | |
| 011 | 17701-ZL8-000 | TUBE, FUEL TANK | 1 | |
| 012 | 17702-ZL8-000 | TUBE, FUEL | 1 | |
| 012 | 17702-ZL8-000 | TUBE, FUEL | 1 | |
| 012 | 17702-ZL8-000 | TUBE, FUEL | 1 | |
| 015 | 80103-MG2-000 | CUSHION, RR. FENDER | 1 | |
| 016 | 90041-ZL8-000 | BOLT, FUEL TANK STUD (H=30MM) | 1 | |
| 017 | 90473-896-000 | WASHER, 6MM | 1 | |
| 018 | 90501-KA2-640 | COLLAR, 14X6.1 | 2 | |
| 019 | 93404-0602500 | BOLT-WASHER, 6X25 | 2 | |
| 020 | 93894-0501400 | SCREW-WASHER, 5X14 | 2 | |
| 021 | 94050-06000 | NUT, FLANGE, 6MM | 1 | |
| 023 | 95002-02080 | CLIP, TUBE (B8) | 1 | |
| 024 | 95002-02100 | CLIP, TUBE (B10) | 1 | |
| 025 | 95002-50000 | CLIP, TUBE (C9) | 1 | |
| 026 | 95002-70000 | CLIP, TUBE (C11) | 1 | |
| 035 | 17622-ZL8-003 | SPONGE, FUEL CAP BREATHER | 1 | 1102861 |
| 035 | 17622-ZL8-003 | SPONGE, FUEL CAP BREATHER | 1 | |
| 036 | 17624-ZL8-003 | PACKING, FUEL CAP | 1 | |
| 036 | 17624-ZL8-003 | PACKING, FUEL CAP | 1 | |

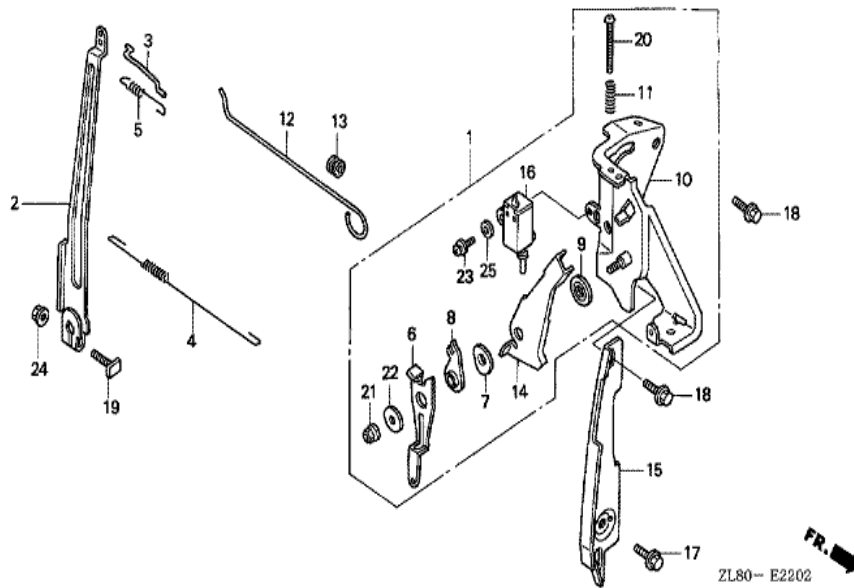


| Ref | Partnumber | Description | GC135 | Serial Numbers |
|-----|---------------|---|-------|----------------|
| 001 | 13331-357-000 | KEY, SPECIAL WOODRUFF, 25X18 | 1 | |
| 002 | 30500-ZL8-004 | COIL ASSY., IGNITION (TEC) (USE FOR F/W | 1 | 1265272 |
| 002 | 30500-ZL8-004 | COIL ASSY., IGNITION (TEC) (USE FOR F/W | 1 | |
| 004 | 31110-ZL9-003 | FLYWHEEL COMP. (TEC) (USE FOR IGN. COIL | 1 | |
| 004 | 31110-ZL9-003 | FLYWHEEL COMP. (TEC) (USE FOR IGN. COIL | 1 | |
| 007 | 90022-888-010 | BOLT, FLANGE, 6X20 (CT200) | 1 | |
| 008 | 90201-878-003 | NUT, SPECIAL, 14MM | 1 | |

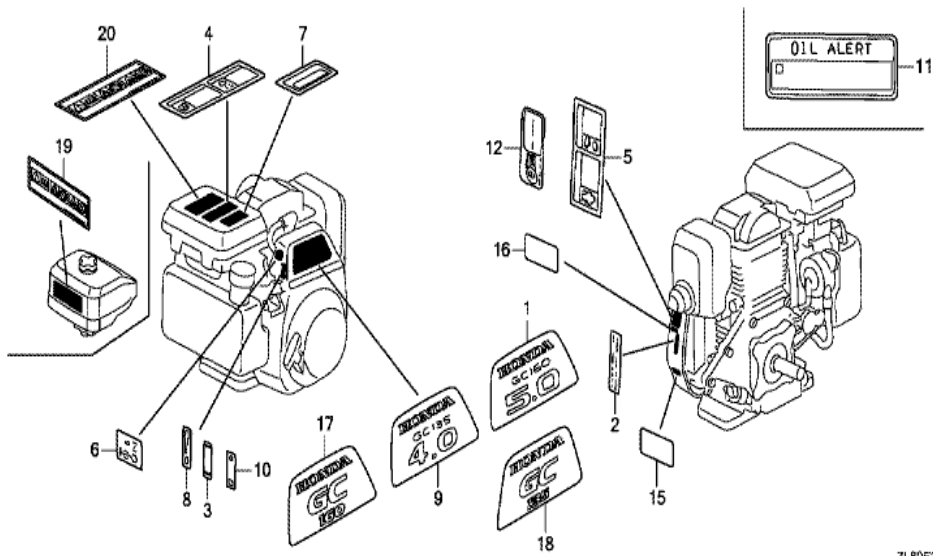


ZL80-E1910

| <u>Ref</u> | <u>Partnumber</u> | <u>Description</u> | <u>GC135</u> | <u>Serial Numbers</u> |
|------------|-------------------|----------------------------|--------------|-----------------------|
| 001 | 30548-ZL8-000 | CLAMPER, STOP SWITCH CORD | 1 | |
| 002 | 30549-ZL8-000 | CLAMPER, CORD | 1 | |
| 003 | 32195-ZL8-810 | CORD, STOP SWITCH | 1 | |
| 003 | 32195-ZL8-810 | CORD, STOP SWITCH | 1 | |
| 004 | 34150-ZH7-003 | ALERT UNIT, OIL | 1 | |
| 004 | 34150-ZH7-003 | ALERT UNIT, OIL | 1 | 1015637 |
| 005 | 35419-ZL8-000 | PROTECTOR, SWITCH | 1 | |
| 006 | 35480-ZL8-811 | SWITCH COMP., OIL LEVEL | 1 | |
| 007 | 90013-883-000 | BOLT, FLANGE, 6X12 (CT200) | 2 | 1015636 |
| 007 | 90013-883-000 | BOLT, FLANGE, 6X12 (CT200) | 2 | 1045124 |
| 007 | 90013-883-000 | BOLT, FLANGE, 6X12 (CT200) | 3 | 1015637 |
| 008 | 90014-952-000 | BOLT, FLANGE, 6X14 (CT200) | 1 | |
| 009 | 90015-883-000 | BOLT, FLANGE, 6X28 (CT200) | 1 | |
| <u>Ref</u> | <u>Partnumber</u> | <u>Description</u> | <u>GC135</u> | <u>Serial Numbers</u> |
| 010 | 91302-ZL8-003 | O-RING, 11.8X2.4 | 1 | |
| 010 | 91302-ZL8-003 | O-RING, 11.8X2.4 | 1 | |
| 011 | 91501-ZL8-000 | COLLAR, 6.6X13.8X14.5 | 1 | |
| 012 | 36103-ZE1-000 | HOLDER, STOP SWITCH CORD | 1 | |

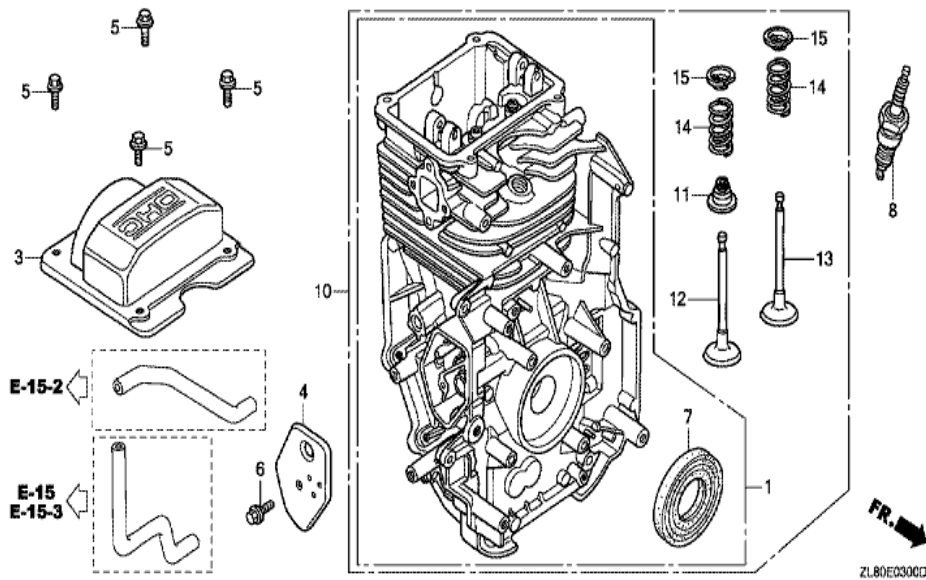


| <u>Ref</u> | <u>Partnumber</u> | <u>Description</u> | <u>GC135</u> | <u>Serial Numbers</u> |
|------------|-------------------|---------------------------------|--------------|-----------------------|
| 001 | 16500-ZL8-850 | CONTROL ASSY. | 1 | |
| 002 | 16551-ZL9-000 | ARM, GOVERNOR | 1 | |
| 002 | 16551-ZL9-000 | ARM, GOVERNOR | 1 | |
| 003 | 16555-ZL8-000 | ROD, GOVERNOR | 1 | |
| 004 | 16561-ZL8-800 | SPRING, GOVERNOR | 1 | |
| 005 | 16562-ZL8-000 | SPRING, THROTTLE RETURN | 1 | 1030440 |
| 005 | 16562-ZL8-800 | SPRING, THROTTLE RETURN | 1 | |
| 005 | 16562-ZL8-800 | SPRING, THROTTLE RETURN | 1 | 1030441 |
| 006 | 16571-ZL8-850 | LEVER, CONTROL | 1 | |
| 007 | 16574-ZE1-000 | SPRING, LEVER | 1 | |
| 008 | 16575-ZL8-000 | WASHER, CONTROL LEVER (###) | 1 | |
| 009 | 16578-ZE1-000 | SPACER, CONTROL LEVER | 1 | |
| 010 | 16580-ZL8-000 | BASE COMP., CONTROL (###) | 1 | |
| <u>Ref</u> | <u>Partnumber</u> | <u>Description</u> | <u>GC135</u> | <u>Serial Numbers</u> |
| 011 | 16584-883-300 | SPRING, CONTROL ADJUSTING | 1 | |
| 012 | 16611-ZL8-000 | ROD, CHOKE CONTROL | 1 | |
| 013 | 16613-893-000 | GROMMET, CHOKE ROD | 1 | |
| 014 | 16631-ZL8-850 | LEVER, STOP (###) | 1 | |
| 015 | 19612-ZL8-000 | PLATE, SIDE | 1 | |
| 015 | 19612-ZL8-000 | PLATE, SIDE | 1 | |
| 016 | 35120-ZL8-003 | SWITCH ASSY., ENGINE STOP (N.O) | 1 | |
| 017 | 90013-883-000 | BOLT, FLANGE, 6X12 (CT200) | 1 | |
| 018 | 90014-952-000 | BOLT, FLANGE, 6X14 (CT200) | 2 | |
| 019 | 90015-ZE5-010 | BOLT, GOVERNOR ARM | 1 | |
| 020 | 90031-ZL8-850 | SCREW, ADJUST | 1 | |
| 021 | 90114-SA0-000 | NUT, SELF-LOCK, 6MM | 1 | |
| 022 | 90563-355-000 | WASHER, WHEEL, 6MM | 1 | |
| 023 | 93892-0401200 | SCREW-WASHER, 4X12 | 1 | |
| 024 | 94050-06000 | NUT, FLANGE, 6MM | 1 | |
| 025 | 94103-04000 | WASHER, PLAIN, 4MM | 1 | |



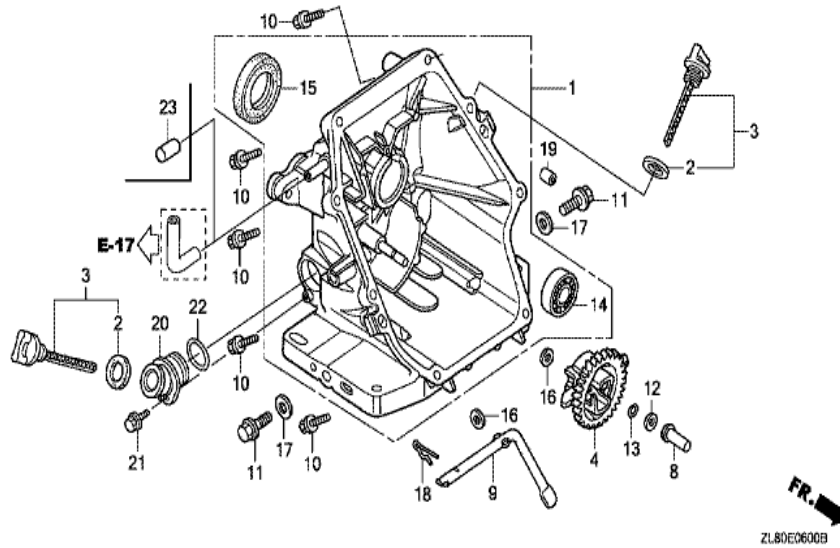
ZL80E2800L

| Ref | Partnumber | Description | GC135 | Serial Numbers |
|-----|---------------|--|-------|----------------|
| 006 | 87528-ZL8-000 | MARK, CHOKE | 1 | |
| 009 | 87101-ZL9-000 | EMBLEM (GC135 4.0) | 1 | |
| 009 | 87101-ZL9-000 | EMBLEM (GC135 4.0) | 1 | 1245479 |
| 009 | 87101-ZL9-010 | EMBLEM (GC135 4.0) | 1 | 1245480 |
| 009 | 87101-ZL9-010 | EMBLEM (GC135 4.0) | 1 | 1245480 |
| 010 | 87501-ZL8-800 | MARK, ENGINE SWITCH INDICATION (EN) | 1 | |
| 012 | 87135-ZE2-010 | LABEL, E-SPEC (EPA STANDARD) (15.5X60.0) | 1 | |
| 012 | 87135-ZE2-010 | LABEL, E-SPEC (EPA STANDARD) (15.5X60.0) | 1 | 1268052 |
| 012 | 87135-ZE2-020 | LABEL, E-SPEC (15.5X27.5) | 1 | 1268053 |
| 012 | 87135-ZE2-020 | LABEL, E-SPEC (15.5X27.5) | 1 | 1268053 |



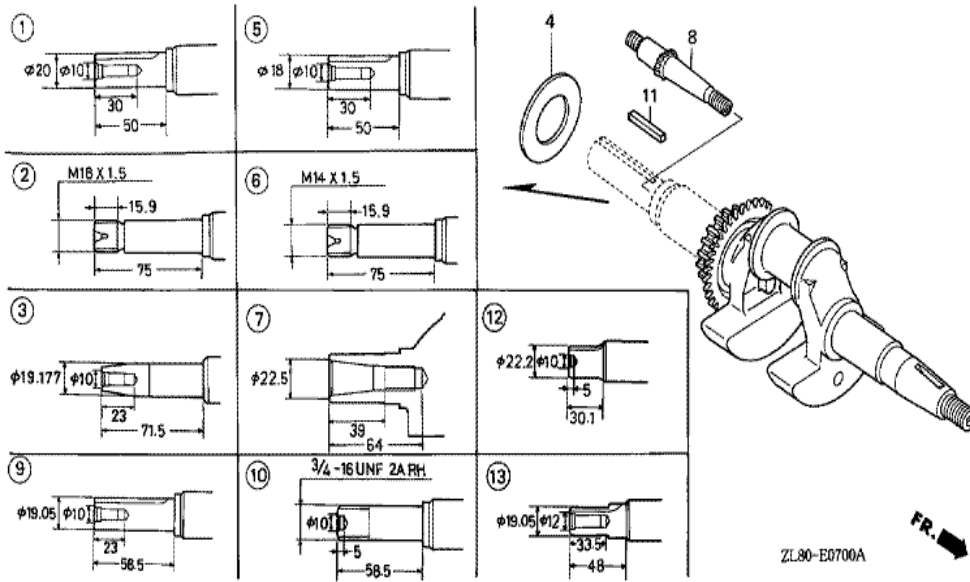
ZL80E0300D

| Ref | Partnumber | Description | GC135 | Serial Numbers |
|-----|---------------|----------------------------|-------|----------------|
| 001 | 12000-ZL9-000 | BARREL ASSY., CYLINDER | 1 | 1075749 |
| 001 | 12000-ZL9-000 | BARREL ASSY., CYLINDER | 1 | 1075749 |
| 001 | 12000-ZL9-000 | BARREL ASSY., CYLINDER | 1 | 1075749 |
| 001 | 12000-ZL9-415 | BARREL ASSY., CYLINDER | 1 | 1075750 |
| 001 | 12000-ZL9-415 | BARREL ASSY., CYLINDER | 1 | 1075750 |
| 001 | 12000-ZL9-415 | BARREL ASSY., CYLINDER | 1 | 1075750 |
| 003 | 12311-ZL8-000 | COVER, HEAD | 1 | 1122153 |
| 003 | 12311-ZL8-000 | COVER, HEAD | 1 | 1122153 |
| 003 | 12311-ZL8-000 | COVER, HEAD | 1 | 1122153 |
| 003 | 12311-ZL8-D00 | COVER, HEAD | 1 | 1122154 |
| 003 | 12311-ZL8-D00 | COVER, HEAD | 1 | 1122154 |
| 003 | 12311-ZL8-D00 | COVER, HEAD | 1 | 1122154 |
| 004 | 12355-ZL8-000 | COVER COMP., BREATHER | 1 | |
| Ref | Partnumber | Description | GC135 | Serial Numbers |
| 005 | 90013-883-000 | BOLT, FLANGE, 6X12 (CT200) | 4 | |
| 006 | 90014-952-000 | BOLT, FLANGE, 6X14 (CT200) | 1 | |
| 007 | 91201-ZL8-003 | OIL SEAL, 25.4X62X6 | 1 | |
| 008 | 98079-56846 | PLUG, SPARK (BPR6ES) (NGK) | 1 | |
| 011 | 12209-ZM0-003 | SEAL, VALVE STEM | 1 | |
| 011 | 12209-ZM0-003 | SEAL, VALVE STEM | 1 | |
| 011 | 12209-ZM0-003 | SEAL, VALVE STEM | 1 | 1191219 |
| 012 | 14711-ZL8-000 | VALVE, IN. (TECHNOSTAR) | 1 | |
| 012 | 14711-ZL8-000 | VALVE, IN. (TECHNOSTAR) | 1 | |
| 013 | 14721-ZL8-000 | VALVE, EX. (L8E) | 1 | |
| 013 | 14721-ZL8-000 | VALVE, EX. (L8E) | 1 | |
| 014 | 14751-ZL8-000 | SPRING, VALVE | 2 | |
| 015 | 14771-ZE1-000 | RETAINER, IN. VALVE SPRING | 2 | |
| 015 | 14771-ZE1-000 | RETAINER, IN. VALVE SPRING | 2 | |

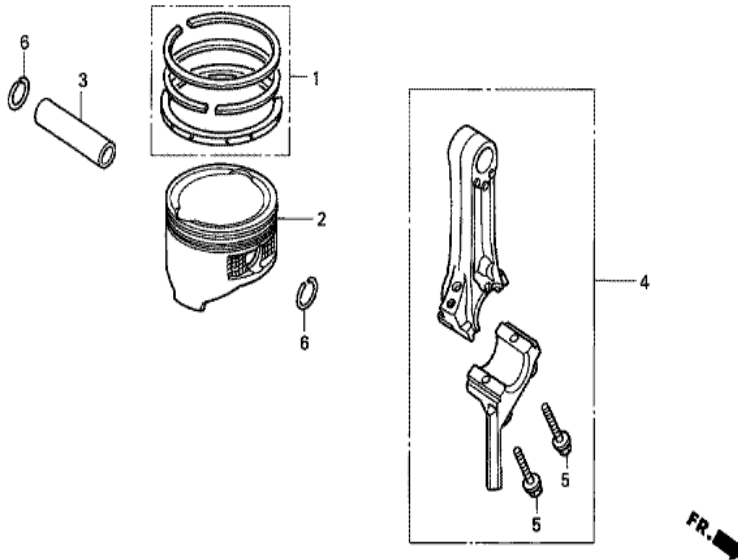


ZL80E0600B

| <u>Ref</u> | <u>Partnumber</u> | <u>Description</u> | <u>GC135</u> | <u>Serial Numbers</u> |
|------------|-------------------|-----------------------------|--------------|-----------------------|
| 001 | 11300-ZL8-406 | COVER ASSY., CRANKCASE | 1 | |
| 001 | 11300-ZL8-406 | COVER ASSY., CRANKCASE | 1 | |
| 002 | 15625-ZE1-003 | PACKING, OIL FILLER CAP | 2 | |
| 002 | 15625-ZE1-003 | PACKING, OIL FILLER CAP | 1 | |
| 003 | 15650-ZL8-003 | GAUGE ASSY., OIL LEVEL | 1 | 1805025 |
| 003 | 15650-ZL8-003 | GAUGE ASSY., OIL LEVEL | 1 | 1245479 |
| 003 | 15650-ZL8-013 | GAUGE ASSY., OIL LEVEL | 1 | 1805026 |
| 003 | 15650-ZL8-013 | GAUGE ASSY., OIL LEVEL | 1 | 1245480 |
| 004 | 16510-ZL8-000 | GOVERNOR ASSY. | 1 | |
| 008 | 16531-ZE1-000 | SLIDER, GOVERNOR | 1 | |
| 009 | 16541-ZL8-000 | SHAFT, GOVERNOR ARM | 1 | |
| 009 | 16541-ZL8-000 | SHAFT, GOVERNOR ARM | 1 | |
| 010 | 90121-952-000 | BOLT, FLANGE, 6X25 (CT200) | 8 | |
| <u>Ref</u> | <u>Partnumber</u> | <u>Description</u> | <u>GC135</u> | <u>Serial Numbers</u> |
| 011 | 90131-883-000 | BOLT, DRAIN PLUG, 12X15 | 1 | 1398445 |
| 011 | 90131-883-000 | BOLT, DRAIN PLUG, 12X15 | 2 | |
| 012 | 90451-ZE1-000 | WASHER, THRUST, 6MM | 1 | |
| 013 | 90602-ZE1-000 | CLIP, GOVERNOR HOLDER | 1 | |
| 014 | 91001-ZL8-003 | BEARING, RADIAL BALL, 62/28 | 1 | |
| 015 | 91202-ZL8-003 | OIL SEAL, 28X41.25X6 | 1 | |
| 016 | 94101-06800 | WASHER, PLAIN, 6MM | 2 | |
| 017 | 94109-12000 | WASHER, DRAIN PLUG, 12MM | 1 | 1398445 |
| 017 | 94109-12000 | WASHER, DRAIN PLUG, 12MM | 2 | |
| 018 | 94251-08000 | PIN, LOCK, 8MM | 1 | |
| 019 | 94301-08200 | DOWEL PIN, 8X20 | 2 | |
| 019 | 94301-08200 | DOWEL PIN, 8X20 | 2 | |

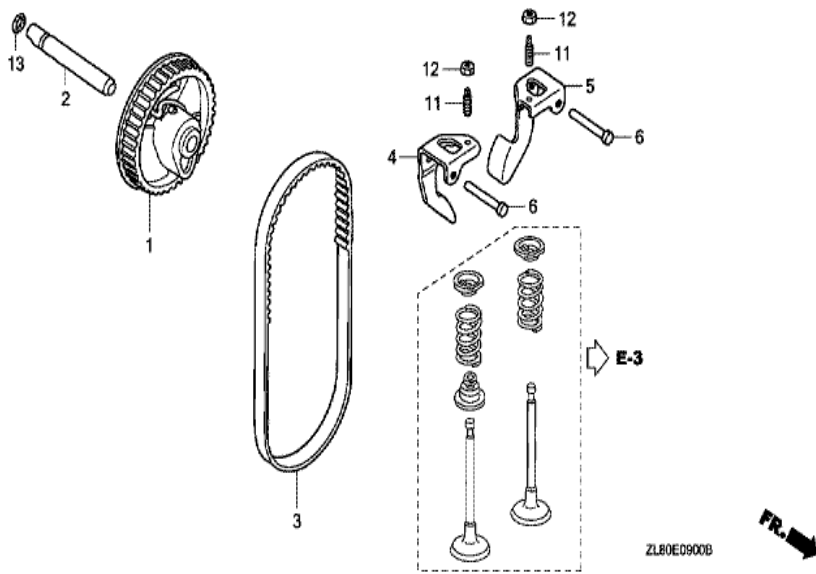


| Ref | Partnumber | Description | GC135 | Serial Numbers |
|-----|---------------|------------------|-------|----------------|
| 003 | 13310-ZL9-670 | CRANKSHAFT COMP. | 1 | |
| 003 | 13310-ZL9-670 | CRANKSHAFT COMP. | 1 | |
| 004 | 90402-ZL8-000 | WASHER, THRUST | 1 | |



ZL80-- E0800

| <u>Ref</u> | <u>Partnumber</u> | <u>Description</u> | <u>GC135</u> | <u>Serial Numbers</u> |
|------------|-------------------|----------------------------|--------------|-----------------------|
| 001 | 13010-ZL8-003 | RING SET, PISTON (RIKEN) | 1 | 1029006 |
| 001 | 13010-ZL8-003 | RING SET, PISTON (RIKEN) | 1 | |
| 001 | 13010-ZL8-024 | RING SET, PISTON (TEIKOKU) | 1 | |
| 001 | 13010-ZL8-024 | RING SET, PISTON (TEIKOKU) | 1 | |
| 002 | 13101-ZL8-000 | PISTON | 1 | 1102445 |
| 002 | 13101-ZL8-000 | PISTON | 1 | |
| 002 | 13101-ZL8-000 | PISTON | 1 | |
| 003 | 13111-ZE0-000 | PIN, PISTON | 1 | |
| 003 | 13111-ZE0-000 | PIN, PISTON | 1 | |
| 004 | 13200-ZL9-000 | ROD ASSY., CONNECTING | 1 | |
| 004 | 13200-ZL9-000 | ROD ASSY., CONNECTING | 1 | |
| 005 | 90001-ZE1-000 | BOLT, CONNECTING ROD | 2 | |
| 006 | 90551-ZE0-000 | CLIP, PISTON PIN, 13MM | 2 | |



| <u>Ref</u> | <u>Partnumber</u> | <u>Description</u> | <u>GC135</u> | <u>Serial Numbers</u> |
|------------|-------------------|----------------------------|--------------|-----------------------|
| 001 | 14320-ZL8-010 | PULLEY COMP., CAMSHAFT | 1 | |
| 002 | 14324-ZL8-000 | SHAFT, CAM PULLEY | 1 | |
| 002 | 14324-ZL8-000 | SHAFT, CAM PULLEY | 1 | |
| 003 | 14400-ZL9-013 | BELT, TIMING (79HU7 G-200) | 1 | |
| 003 | 14400-ZL9-013 | BELT, TIMING (79HU7 G-200) | 1 | |
| 003 | 14400-ZL9-013 | BELT, TIMING (79HU7 G-200) | 1 | |
| 004 | 14431-ZL8-000 | ARM, IN. VALVE ROCKER | 1 | |
| 004 | 14431-ZL8-000 | ARM, IN. VALVE ROCKER | 1 | |
| 005 | 14441-ZL8-000 | ARM, EX. VALVE ROCKER | 1 | |
| 005 | 14441-ZL8-000 | ARM, EX. VALVE ROCKER | 1 | |
| 006 | 14461-ZL8-000 | SHAFT, ROCKER ARM | 2 | |
| 011 | 90012-333-000 | SCREW, TAPPET ADJUSTING | 2 | |
| 012 | 90206-001-000 | NUT, TAPPET ADJUSTING | 2 | |
| <u>Ref</u> | <u>Partnumber</u> | <u>Description</u> | <u>GC135</u> | <u>Serial Numbers</u> |
| 013 | 91301-ZM0-V31 | O-RING, 6.8X1.9 (ARAI) | 1 | |