

ZL80-E1100



| Ref | Partnumber | Description | GC160A | Serial Numbers |
|-----|-----------------|------------------------------|--------|----------------|
| 001 | 28400-ZL8-023ZA | STARTER ASSY., RECOIL *NH1 * | 1 | |
| 001 | 28400-ZL8-023ZA | STARTER ASSY., RECOIL *NH1 * | 1 | |
| 001 | 28400-ZL8-023ZA | STARTER ASSY., RECOIL *NH1 * | 1 | |
| 002 | 28461-ZL8-003 | GRIP, STARTER | 1 | |
| 003 | 28462-ZL8-003 | ROPE, RECOIL STARTER | 1 | |



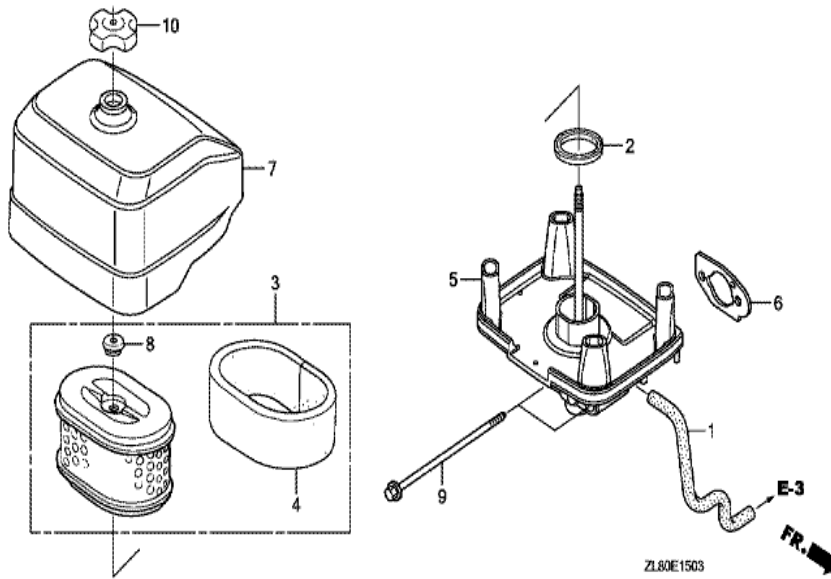
ZL80E1200D

| Ref | Partnumber | Description | GC160A | Serial Numbers |
|-----|-----------------|-----------------------|--------|----------------|
| 001 | 19611-ZOJ-900ZA | COVER, FAN *NH1 * | 1 | |
| 002 | 90043-ZL8-000 | BOLT, STUD (H=42.5MM) | 2 | |
| 003 | 90201-ZM0-000 | NUT, FLANGE, 6MM | 3 | |
| 003 | 90201-ZM0-000 | NUT, FLANGE, 6MM | 3 | |
| 004 | 19619-ZL8-300 | COLLAR, FAN COVER | 3 | |
| 005 | 90043-ZOJ-900 | BOLT, STUD (H=39.5MM) | 1 | |



| Ref | Partnumber | Description | GC160A | Serial Numbers |
|-----|---------------|----------------------------|--------|-----------------|
| 001 | 16010-883-015 | PACKING SET | 1 | |
| 002 | 16013-ZL1-003 | FLOAT SET | 1 | |
| 003 | 16015-ZL8-003 | CHAMBER SET, FLOAT | 1 | |
| 005 | 16024-124-760 | SCREW SET, DRAIN | 1 | |
| 006 | 16028-ZE0-005 | SCREW SET | 1 | |
| 007 | 16029-ZG0-901 | SCREW SET (THROTTLE STOP) | 1 | |
| 008 | 16100-Z0J-003 | CARBURETOR ASSY. (BB61J A) | 1 | 3936811 |
| 008 | 16100-Z0J-003 | CARBURETOR ASSY. (BB61J A) | 1 | 1142746 |
| 008 | 16100-Z0J-003 | CARBURETOR ASSY. (BB61J A) | 1 | 1254709 2037604 |
| 008 | 16100-Z0J-003 | CARBURETOR ASSY. (BB61J A) | 1 | 3936811 |
| 008 | 16100-Z0J-013 | CARBURETOR ASSY. (BB61J B) | 1 | 3936812 |
| 008 | 16100-Z0J-013 | CARBURETOR ASSY. (BB61J B) | 1 | 3936812 |
| 009 | 16155-ZL8-013 | VALVE COMP., FLOAT | 1 | BB63B C |

| <u>Ref</u> | <u>Partnumber</u> | <u>Description</u> | <u>GC160A</u> | <u>Serial Numbers</u> |
|------------|-------------------|----------------------------------------|---------------|-----------------------|
| 009 | 16155-ZL8-013 | VALVE COMP., FLOAT | 1 | |
| 009 | 16155-ZL8-013 | VALVE COMP., FLOAT | 1 | BB63B C |
| 010 | 16166-ZL8-003 | NOZZLE, MAIN | 1 | |
| 010 | 16166-ZL8-003 | NOZZLE, MAIN | 1 | |
| 010 | 16166-ZL8-003 | NOZZLE, MAIN | 1 | |
| 012 | 16212-ZL8-000 | PACKING, INSULATOR | 1 | |
| 014 | 16228-ZL8-000 | PACKING, CARBURETOR | 1 | |
| 016 | 93500-050061H | SCREW, PAN, 5X6 | 1 | |
| 017 | 95002-02650 | CLIP, TUBE (B6.5) | 1 | |
| 018 | 95003-0701531 | TUBE, VINYL, 4X7X150 (95003-07001-60M) | 1 | |
| 019 | 99101-1240600 | JET, MAIN, #60 | (1) | |
| 019 | 99101-1240600 | JET, MAIN, #60 | (1) | |
| 019 | 99101-1240620 | JET, MAIN, #62 | (1) | |
| 019 | 99101-1240620 | JET, MAIN, #62 | (1) | |
| 019 | 99101-1240650 | JET, MAIN, #65 | 1 | |
| 019 | 99101-1240650 | JET, MAIN, #65 | 1 | |
| 020 | 16210-ZL8-000 | INSULATOR, CARBURETOR | 1 | |
| 021 | 90634-ZL8-000 | CAP, SEALING | 1 | |
| 022 | 16016-ZG0-W00 | SCREW SET | 1 | |
| 023 | 19651-Z0J-000 | GUIDE, AIR | 1 | |
| 024 | 95002-02650 | CLIP, TUBE (B6.5) | 1 | |



| Ref | Partnumber | Description | GC160A | Serial Numbers |
|-----|---------------|-----------------------------|--------|----------------|
| 001 | 15721-Z0J-U30 | TUBE, BREATHER | 1 | |
| 002 | 16271-ZE1-000 | PACKING, ELBOW | 1 | |
| 003 | 17210-ZE1-822 | ELEMENT, AIR CLEANER (DUAL) | 1 | |
| 004 | 17218-ZE1-821 | FILTER, OUTER | 1 | |
| 005 | 17220-Z0J-U30 | CASE COMP., AIR CLEANER | 1 | |
| 006 | 17228-Z8A-000 | PACKING, AIR CLEANER | 1 | 3968756 |
| 006 | 17228-Z8A-000 | PACKING, AIR CLEANER | 1 | 3968756 |
| 006 | 17228-ZL8-000 | PACKING, AIR CLEANER | 1 | 3968755 |
| 007 | 17231-Z0J-U30 | COVER, AIR CLEANER | 1 | |
| 007 | 17231-Z0J-U30 | COVER, AIR CLEANER | 1 | |
| 008 | 17232-891-000 | GROMMET, AIR CLEANER | 1 | |
| 009 | 90003-ZL8-000 | BOLT, FLANGE, 6X112 (CT200) | 2 | |
| 010 | 90202-Z2E-000 | NUT, AIR CLEANER COVER | 1 | |



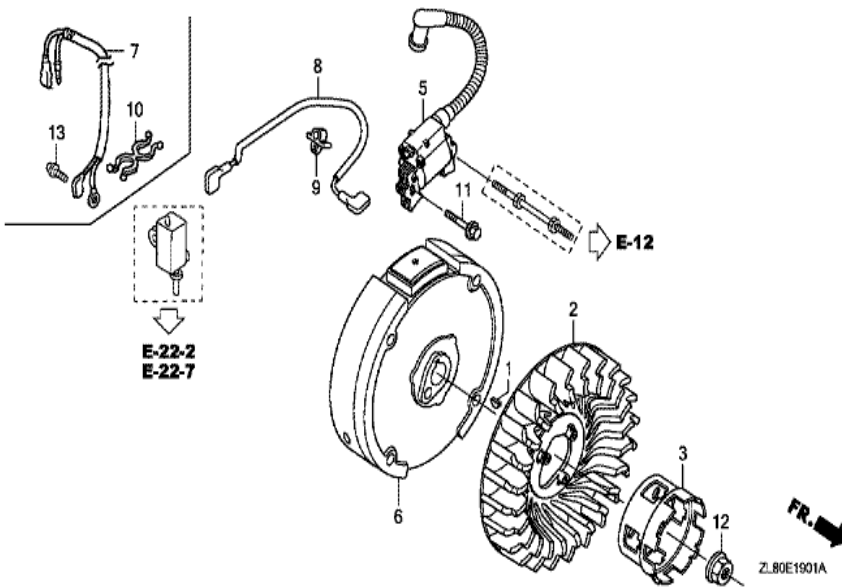
| Ref | Partnumber | Description | GC160A | Serial Numbers |
|-----|---------------|----------------------------|--------|----------------|
| 001 | 18310-Z0Y-000 | MUFFLER COMP. | 1 | |
| 001 | 18310-Z0Y-000 | MUFFLER COMP. | 1 | 1224176 |
| 002 | 18321-Z0L-810 | PROTECTOR, MUFFLER | 1 | |
| 003 | 18348-ZL8-800 | CAP, MUFFLER (BLACK) | 1 | |
| 003 | 18348-ZL8-800 | CAP, MUFFLER (BLACK) | 1 | |
| 004 | 18430-ZL8-000 | DEFLECTOR COMP., MUFFLER | 1 | |
| 006 | 90004-ZL8-000 | BOLT, FLANGE, 6X79 (CT200) | 2 | |
| 007 | 90013-883-000 | BOLT, FLANGE, 6X12 (CT200) | 3 | |
| 008 | 90055-ZE1-000 | SCREW, TAPPING, 4X6 | 2 | |
| 008 | 90055-ZE1-000 | SCREW, TAPPING, 4X6 | 2 | 1199934 |
| 008 | 90055-ZE1-000 | SCREW, TAPPING, 4X6 | 4 | |
| 009 | 18381-ZL8-305 | GASKET, MUFFLER | (1) | |



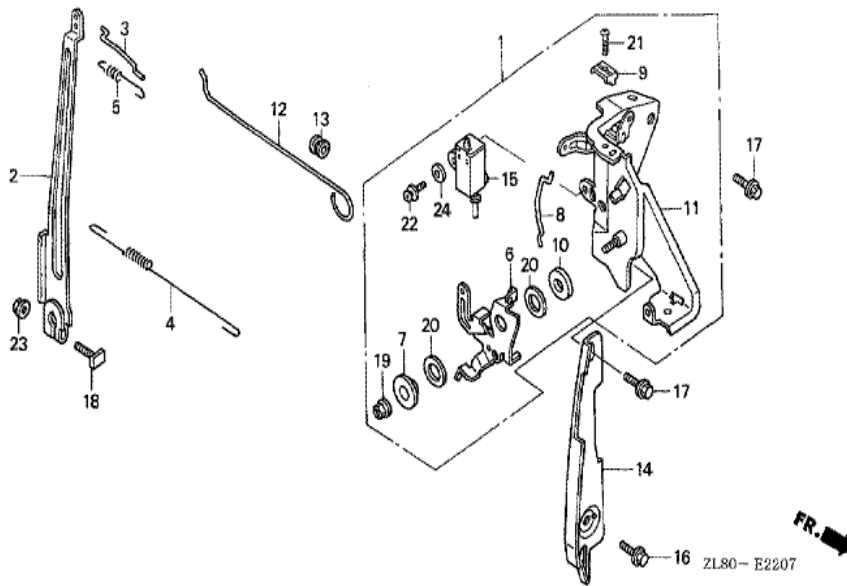
ZL80E1700D

| Ref | Partnumber | Description | GC160A | Serial Numbers |
|-----|---------------|---------------------------|--------|----------------|
| 001 | 16700-ZOJ-003 | PUMP ASSY., FUEL | 1 | |
| 001 | 16700-ZOJ-003 | PUMP ASSY., FUEL | 1 | 1116938 |
| 002 | 16854-ZH8-000 | RUBBER, SUPPORTER (107MM) | 1 | |
| 003 | 16882-ZL8-000 | TUBE, DIAPHRAGM | 1 | |
| 003 | 16882-ZL8-000 | TUBE, DIAPHRAGM | 1 | |
| 005 | 17511-ZOJ-820 | TANK, FUEL | 1 | |
| 006 | 17516-ZV0-000 | RUBBER B, TANK MOUNTING | 2 | |
| 007 | 17519-ZL8-800 | JOINT, FUEL TUBE | 1 | |
| 008 | 17535-166-000 | COLLAR, FR. COVER SETTING | 1 | |
| 009 | 17561-ZOJ-000 | STAY A, FUEL TANK | 1 | |
| 009 | 17561-ZOJ-000 | STAY A, FUEL TANK | 1 | 3363962 |
| 010 | 17620-ZOM-000 | CAP ASSY., FUEL TANK | 1 | |
| 010 | 17620-ZOM-000 | CAP ASSY., FUEL TANK | 1 | 1102862 |

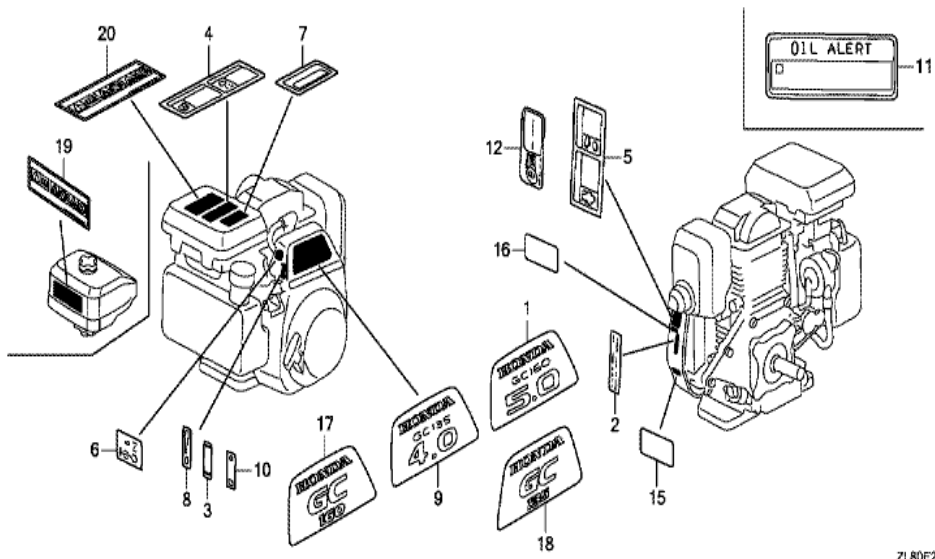
| <u>Ref</u> | <u>Partnumber</u> | <u>Description</u> | <u>GC160A</u> | <u>Serial Numbers</u> |
|------------|-------------------|--------------------------------------|---------------|-----------------------|
| 013 | 17702-ZL8-800 | TUBE, FUEL | 1 | 3327391 |
| 013 | 17702-ZL8-800 | TUBE, FUEL | 1 | |
| 014 | 17703-ZL8-800 | TUBE, FUEL RETURN | 1 | 3327391 |
| 014 | 17703-ZL8-800 | TUBE, FUEL RETURN | 1 | |
| 015 | 80103-MG2-000 | CUSHION, RR. FENDER | 1 | |
| 016 | 90041-ZL8-000 | BOLT, FUEL TANK STUD (H=30MM) | 1 | |
| 017 | 90473-896-000 | WASHER, 6MM | 1 | |
| 018 | 90501-KA2-640 | COLLAR, 14X6.1 | 2 | |
| 019 | 93404-0602500 | BOLT-WASHER, 6X25 | 2 | |
| 020 | 93894-0501400 | SCREW-WASHER, 5X14 | 2 | |
| 021 | 94050-06000 | NUT, FLANGE, 6MM | 1 | |
| 022 | 95001-5503340 | TUBE, FUEL, 5.3X33 (95001-55001-60M) | 1 | |
| 022 | 95001-5503340 | TUBE, FUEL, 5.3X33 (95001-55001-60M) | 1 | |
| 023 | 95002-02080 | CLIP, TUBE (B8) | 1 | |
| 023 | 95002-02080 | CLIP, TUBE (B8) | 1 | 1142745 |
| 023 | 95002-02080 | CLIP, TUBE (B8) | 3 | |
| 024 | 95002-02100 | CLIP, TUBE (B10) | 1 | |
| 024 | 95002-02100 | CLIP, TUBE (B10) | 1 | 1142745 |
| 024 | 95002-02100 | CLIP, TUBE (B10) | 5 | |
| 025 | 95002-50000 | CLIP, TUBE (C9) | 1 | |
| 025 | 95002-50000 | CLIP, TUBE (C9) | 1 | 1142745 |
| 026 | 95002-70000 | CLIP, TUBE (C11) | 1 | |
| 026 | 95002-70000 | CLIP, TUBE (C11) | 1 | 1142745 |
| 027 | 16910-ZV4-015 | STRAINER COMP., FUEL | 1 | |
| 028 | 16915-ZV4-000 | SUSPENSION, STRAINER | 1 | |
| 029 | 17704-ZL8-800 | TUBE, FUEL PUMP | 1 | 3327391 |
| 029 | 17704-ZL8-800 | TUBE, FUEL PUMP | 1 | |
| 030 | 17701-ZL8-800 | TUBE, FUEL TANK | 1 | |
| 030 | 17701-ZL8-800 | TUBE, FUEL TANK | 1 | |
| 035 | 17622-888-010 | SPONGE, FUEL CAP BREATHER | 1 | |
| 035 | 17622-888-010 | SPONGE, FUEL CAP BREATHER | 1 | 1102862 |
| 036 | 17624-ZE7-000 | PACKING, FUEL CAP | 1 | |
| 036 | 17624-ZE7-000 | PACKING, FUEL CAP | 1 | 1102862 |



| Ref | Partnumber | Description | GC160A | Serial Numbers |
|-----|---------------|------------------------------|--------|----------------|
| 001 | 13331-357-000 | KEY, SPECIAL WOODRUFF, 25X18 | 1 | 3995037 |
| 001 | 13331-Z8B-900 | KEY, SPECIAL WOODRUFF, 25X18 | 1 | 3995038 |
| 002 | 19511-Z0J-900 | FAN, COOLING | 1 | |
| 003 | 28451-Z0J-900 | PULLEY, STARTER | 1 | |
| 005 | 30500-Z0J-004 | COIL ASSY., IGNITION (TOYO) | 1 | |
| 006 | 31110-Z0J-004 | FLYWHEEL COMP. | 1 | |
| 008 | 32195-Z0J-900 | CORD, STOP SWITCH | 1 | |
| 009 | 36103-ZE1-000 | HOLDER, STOP SWITCH CORD | 1 | |
| 011 | 90018-ZE1-000 | BOLT, FLANGE, 6X23 (CT200) | 1 | |
| 012 | 90201-Z0T-800 | NUT, SPECIAL, 14MM | 1 | |



| <u>Ref</u> | <u>Partnumber</u> | <u>Description</u> | <u>GC160A</u> | <u>Serial Numbers</u> |
|------------|-------------------|---------------------------------|---------------|-----------------------|
| 001 | 16500-ZL8-V30 | CONTROL ASSY. | 1 | |
| 002 | 16551-ZL8-010 | ARM, GOVERNOR | 1 | |
| 002 | 16551-ZL8-010 | ARM, GOVERNOR | 1 | |
| 003 | 16555-ZL8-000 | ROD, GOVERNOR | 1 | |
| 004 | 16561-ZL9-V20 | SPRING, GOVERNOR | 1 | 1308265 |
| 004 | 16561-ZL9-V20 | SPRING, GOVERNOR | 1 | |
| 005 | 16562-ZL8-800 | SPRING, THROTTLE RETURN | 1 | |
| 006 | 16571-ZL8-800 | LEVER, CONTROL | 1 | |
| 007 | 16575-ZL8-800 | WASHER, CONTROL LEVER (###) | 1 | |
| 008 | 16576-ZL8-V30 | ROD, CONTROL LEVER | 1 | |
| 009 | 16576-891-000 | HOLDER, CABLE | 1 | |
| 010 | 16578-ZL8-800 | SPACER, CONTROL LEVER (###) | 1 | |
| 011 | 16580-ZL8-V30 | BASE COMP., CONTROL (###) | 1 | |
| <u>Ref</u> | <u>Partnumber</u> | <u>Description</u> | <u>GC160A</u> | <u>Serial Numbers</u> |
| 012 | 16611-ZL8-000 | ROD, CHOKE CONTROL | 1 | |
| 013 | 16613-893-000 | GROMMET, CHOKE ROD | 1 | |
| 014 | 19612-Z0L-000 | PLATE, SIDE | 1 | |
| 015 | 35120-ZL8-003 | SWITCH ASSY., ENGINE STOP (N.O) | 1 | |
| 016 | 90013-883-000 | BOLT, FLANGE, 6X12 (CT200) | 1 | |
| 017 | 90014-952-000 | BOLT, FLANGE, 6X14 (CT200) | 2 | |
| 018 | 90015-ZE5-010 | BOLT, GOVERNOR ARM | 1 | |
| 019 | 90114-SA0-000 | NUT, SELF-LOCK, 6MM | 1 | |
| 020 | 90452-KG8-000 | WASHER, 12.5MM | 2 | |
| 021 | 93500-050160A | SCREW, PAN, 5X16 | 1 | |
| 022 | 93892-0401200 | SCREW-WASHER, 4X12 | 1 | |
| 023 | 94050-06000 | NUT, FLANGE, 6MM | 1 | |
| 024 | 94103-04000 | WASHER, PLAIN, 4MM | 1 | |



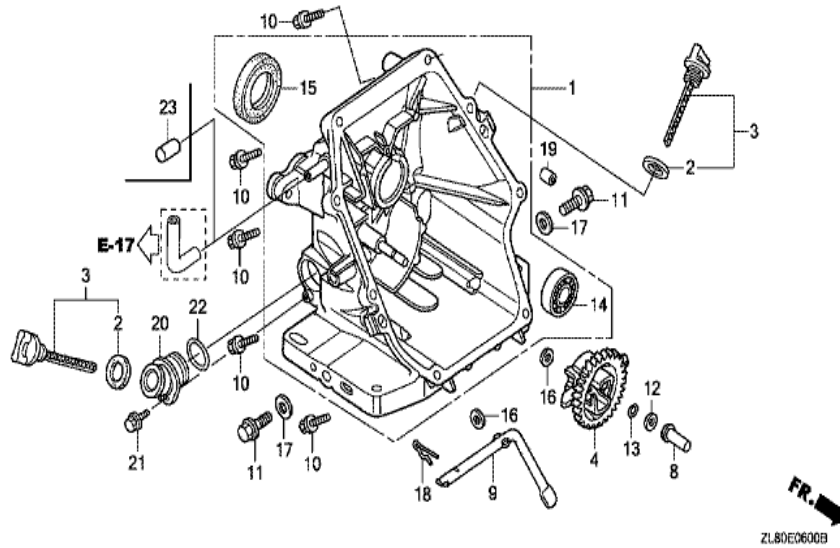
ZL80E2800L

| Ref | Partnumber | Description | GC160A | Serial Numbers |
|-----|---------------|-----------------------------------------|--------|----------------|
| 006 | 87528-ZL8-000 | MARK, CHOKE | 1 | |
| 015 | 87114-ZH7-840 | LABEL, WARNING (NOT CERTIFIED FOR SALE) | 1 | 3364530 |
| 015 | 87114-ZH7-840 | LABEL, WARNING (NOT CERTIFIED FOR SALE) | 1 | |
| 017 | 87101-ZL8-020 | EMBLEM (GC160) | 1 | |
| 019 | 87519-Z0J-000 | MARK, OPERATOR CAUTION | 1 | |



ZL80E0300D

| <u>Ref</u> | <u>Partnumber</u> | <u>Description</u> | <u>GC160A</u> | <u>Serial Numbers</u> |
|------------|-------------------|----------------------------|---------------|-----------------------|
| 001 | 12000-Z0L-406 | BARREL ASSY., CYLINDER | 1 | |
| 001 | 12000-Z0L-406 | BARREL ASSY., CYLINDER | 1 | |
| 003 | 12310-Z0J-000 | COVER COMP., CYLINDER HEAD | 1 | |
| 003 | 12310-Z0J-000 | COVER COMP., CYLINDER HEAD | 1 | |
| 004 | 12355-ZL8-000 | COVER COMP., BREATHER | 1 | |
| 005 | 90013-883-000 | BOLT, FLANGE, 6X12 (CT200) | 4 | |
| 006 | 90014-952-000 | BOLT, FLANGE, 6X14 (CT200) | 1 | |
| 007 | 91201-ZL8-003 | OIL SEAL, 25.4X62X6 | 1 | |
| 008 | 98079-56846 | PLUG, SPARK (BPR6ES) (NGK) | 1 | |
| 011 | 12209-ZM0-003 | SEAL, VALVE STEM | 1 | |
| 011 | 12209-ZM0-003 | SEAL, VALVE STEM | 1 | |
| 012 | 14711-Z0J-800 | VALVE, IN. | 1 | |
| 012 | 14711-Z0J-800 | VALVE, IN. | 1 | |
| <u>Ref</u> | <u>Partnumber</u> | <u>Description</u> | <u>GC160A</u> | <u>Serial Numbers</u> |
| 012 | 14711-ZL8-000 | VALVE, IN. (TECHNOSTAR) | 1 | |
| 012 | 14711-ZL8-000 | VALVE, IN. (TECHNOSTAR) | 1 | |
| 013 | 14721-ZL8-000 | VALVE, EX. (L8E) | 1 | |
| 013 | 14721-ZL8-000 | VALVE, EX. (L8E) | 1 | |
| 014 | 14751-ZL8-000 | SPRING, VALVE | 2 | |
| 015 | 14771-Z0J-000 | RETAINER, VALVE SPRING | 2 | |
| 015 | 14771-Z0J-000 | RETAINER, VALVE SPRING | 2 | |

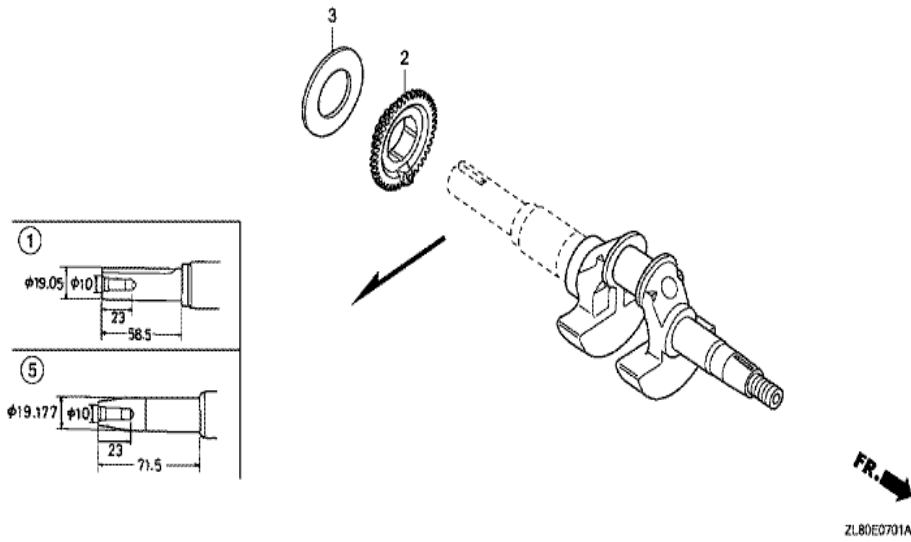


ZL80E0600B

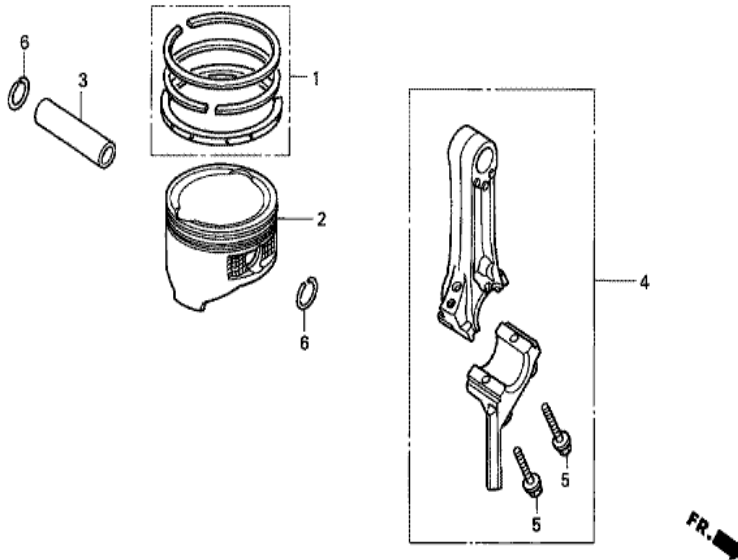
| <u>Ref</u> | <u>Partnumber</u> | <u>Description</u> | <u>GC160A</u> | <u>Serial Numbers</u> |
|------------|-------------------|----------------------------|---------------|-----------------------|
| 001 | 11300-ZL8-409 | COVER ASSY., CRANKCASE | 1 | 1398446 |
| 001 | 11300-ZL8-409 | COVER ASSY., CRANKCASE | 1 | |
| 002 | 15625-Z2L-801 | PACKING, OIL FILLER CAP | 1 | |
| 002 | 15625-Z2L-801 | PACKING, OIL FILLER CAP | 1 | 1085493 |
| 003 | 15650-Z2L-801 | GAUGE ASSY., OIL LEVEL | 1 | |
| 003 | 15650-Z2L-801 | GAUGE ASSY., OIL LEVEL | 1 | 1085493 |
| 004 | 16510-ZL8-000 | GOVERNOR ASSY. | 1 | |
| 008 | 16531-ZE1-000 | SLIDER, GOVERNOR | 1 | |
| 009 | 16541-ZL8-000 | SHAFT, GOVERNOR ARM | 1 | |
| 009 | 16541-ZL8-000 | SHAFT, GOVERNOR ARM | 1 | |
| 010 | 90121-952-000 | BOLT, FLANGE, 6X25 (CT200) | 8 | |
| 011 | 90131-883-000 | BOLT, DRAIN PLUG, 12X15 | 1 | 1398445 |
| 011 | 90131-883-000 | BOLT, DRAIN PLUG, 12X15 | 2 | |
| <u>Ref</u> | <u>Partnumber</u> | <u>Description</u> | <u>GC160A</u> | <u>Serial Numbers</u> |
| 012 | 90451-ZE1-000 | WASHER, THRUST, 6MM | 1 | |
| 013 | 90602-ZE1-000 | CLIP, GOVERNOR HOLDER | 1 | |
| 015 | 91202-ZL8-003 | OIL SEAL, 28X41.25X6 | 1 | |
| 016 | 94101-06800 | WASHER, PLAIN, 6MM | 2 | |
| 017 | 94109-12000 | WASHER, DRAIN PLUG, 12MM | 1 | 1398445 |
| 017 | 94109-12000 | WASHER, DRAIN PLUG, 12MM | 2 | |
| 018 | 94251-08000 | PIN, LOCK, 8MM | 1 | |
| 019 | 94301-08200 | DOWEL PIN, 8X20 | 2 | |
| 019 | 94301-08200 | DOWEL PIN, 8X20 | 2 | |



| Ref | Partnumber | Description | GC160A | Serial Numbers |
|-----|---------------|------------------|--------|----------------|
| 004 | 90402-ZL8-000 | WASHER, THRUST | 1 | 3995037 |
| 009 | 13310-ZL8-600 | CRANKSHAFT COMP. | 1 | |
| 009 | 13310-ZL8-600 | CRANKSHAFT COMP. | 1 | 3995037 |

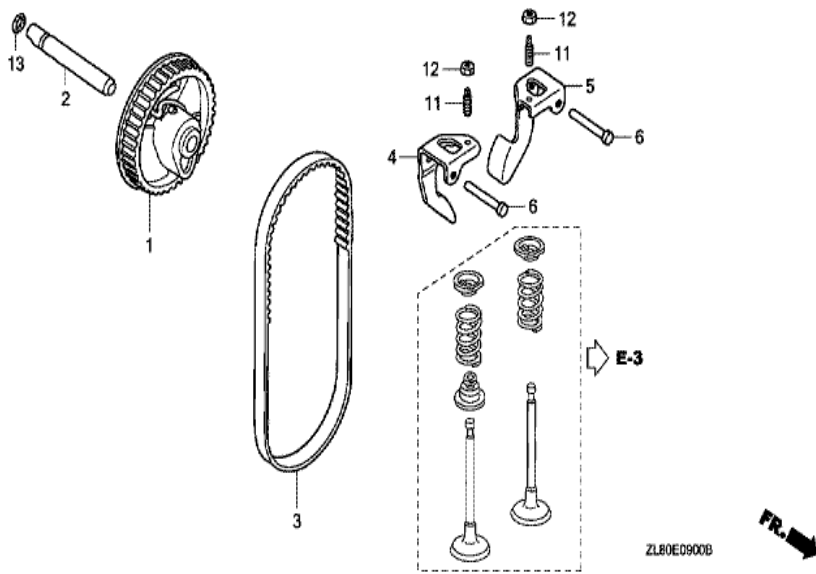


| Ref | Partnumber | Description | GC160A | Serial Numbers |
|-----|---------------|---------------------------|--------|----------------|
| 001 | 13311-Z8A-900 | CRANKSHAFT | 1 | 3995038 |
| 002 | 13621-Z8B-900 | PULLEY, TIMING BELT DRIVE | 1 | 3995038 |
| 003 | 90402-ZL8-000 | WASHER, THRUST | 1 | 3995038 |



ZL80-- E0800

| Ref | Partnumber | Description | GC160A | Serial Numbers |
|-----|---------------|-----------------------------------|--------|----------------|
| 001 | 13010-ZOL-014 | RING SET, PISTON (STD.) (TEIKOKU) | 1 | 3598776 |
| 001 | 13010-ZOL-014 | RING SET, PISTON (STD.) (TEIKOKU) | 1 | |
| 002 | 13101-Z2A-010 | PISTON | 1 | 3598776 |
| 002 | 13101-Z2A-010 | PISTON | 1 | 3968755 |
| 002 | 13101-Z8B-820 | PISTON | 1 | 3968756 |
| 003 | 13111-ZE0-000 | PIN, PISTON | 1 | |
| 003 | 13111-ZE0-000 | PIN, PISTON | 1 | |
| 004 | 13200-ZOJ-000 | ROD ASSY., CONNECTING | 1 | |
| 004 | 13200-ZOJ-000 | ROD ASSY., CONNECTING | 1 | |
| 005 | 90001-ZE1-000 | BOLT, CONNECTING ROD | 2 | |
| 006 | 90551-ZE0-000 | CLIP, PISTON PIN, 13MM | 2 | |



ZL80E0900B

FR. →

| Ref | Partnumber | Description | GC160A | Serial Numbers |
|-----|---------------|----------------------------|--------|----------------|
| 001 | 14320-ZL8-010 | PULLEY COMP., CAMSHAFT | 1 | |
| 002 | 14324-ZL8-000 | SHAFT, CAM PULLEY | 1 | |
| 002 | 14324-ZL8-000 | SHAFT, CAM PULLEY | 1 | |
| 003 | 14400-Z0J-014 | BELT, TIMING (84HU7 G-200) | 1 | |
| 003 | 14400-Z0J-014 | BELT, TIMING (84HU7 G-200) | 1 | |
| 004 | 14431-Z0J-000 | ARM, IN. VALVE ROCKER | 1 | |
| 004 | 14431-Z0J-000 | ARM, IN. VALVE ROCKER | 1 | |
| 005 | 14441-Z0J-000 | ARM, EX. VALVE ROCKER | 1 | |
| 005 | 14441-Z0J-000 | ARM, EX. VALVE ROCKER | 1 | |
| 006 | 14461-ZL8-000 | SHAFT, ROCKER ARM | 2 | |
| 011 | 90012-333-000 | SCREW, TAPPET ADJUSTING | 2 | |
| 012 | 90206-001-000 | NUT, TAPPET ADJUSTING | 2 | |
| 013 | 91301-ZM0-V31 | O-RING, 6.8X1.9 (ARAI) | 1 | |