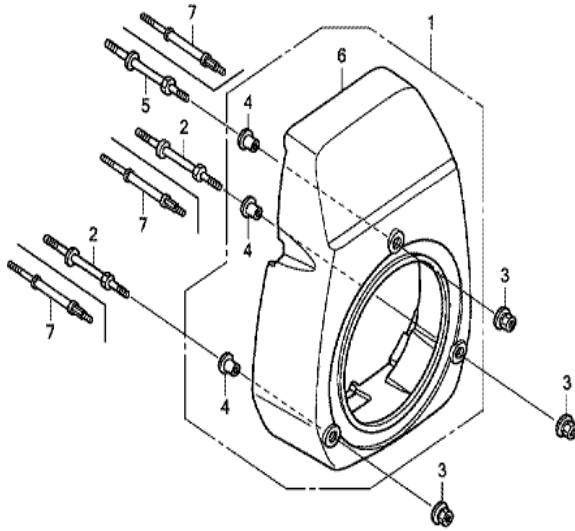


ZL80-E1100

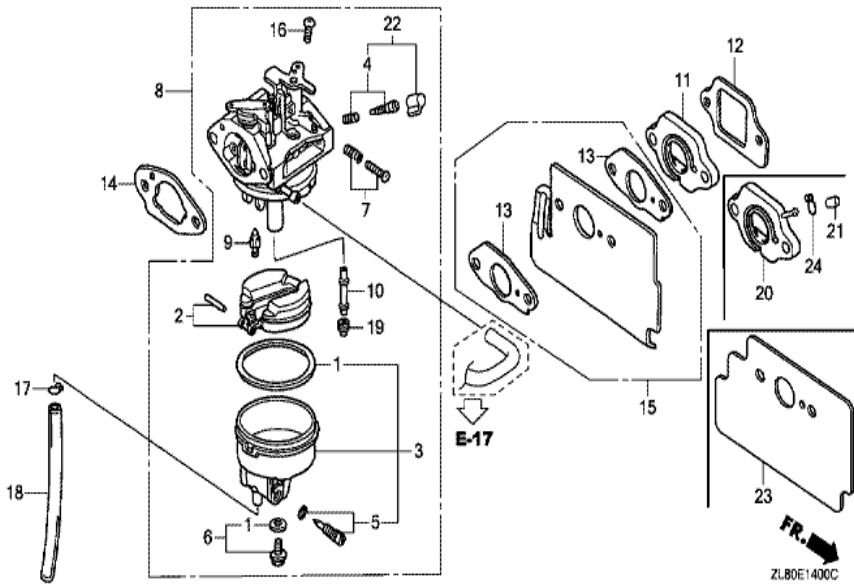


Ref	Partnumber	Description	GC160A	Serial Numbers
001	28400-ZL8-023ZA	STARTER ASSY., RECOIL *NH1 *	1	
001	28400-ZL8-023ZA	STARTER ASSY., RECOIL *NH1 *	1	
001	28400-ZL8-023ZA	STARTER ASSY., RECOIL *NH1 *	1	
002	28461-ZL8-003	GRIP, STARTER	1	
003	28462-ZL8-003	ROPE, RECOIL STARTER	1	



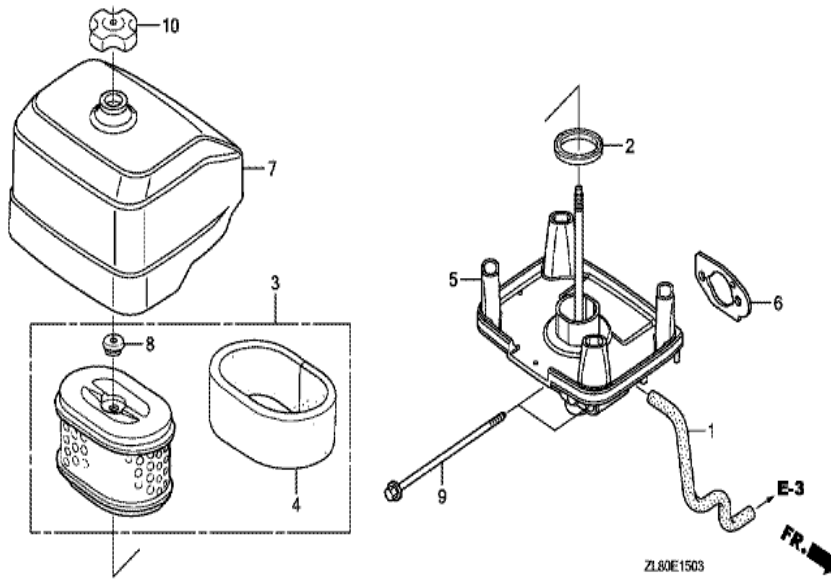
ZL80E1200D

Ref	Partnumber	Description	GC160A	Serial Numbers
001	19611-ZOJ-900ZA	COVER, FAN *NH1 *	1	
002	90043-ZL8-000	BOLT, STUD (H=42.5MM)	2	
003	90201-ZM0-000	NUT, FLANGE, 6MM	3	
003	90201-ZM0-000	NUT, FLANGE, 6MM	3	
004	19619-ZL8-300	COLLAR, FAN COVER	3	
005	90043-ZOJ-900	BOLT, STUD (H=39.5MM)	1	

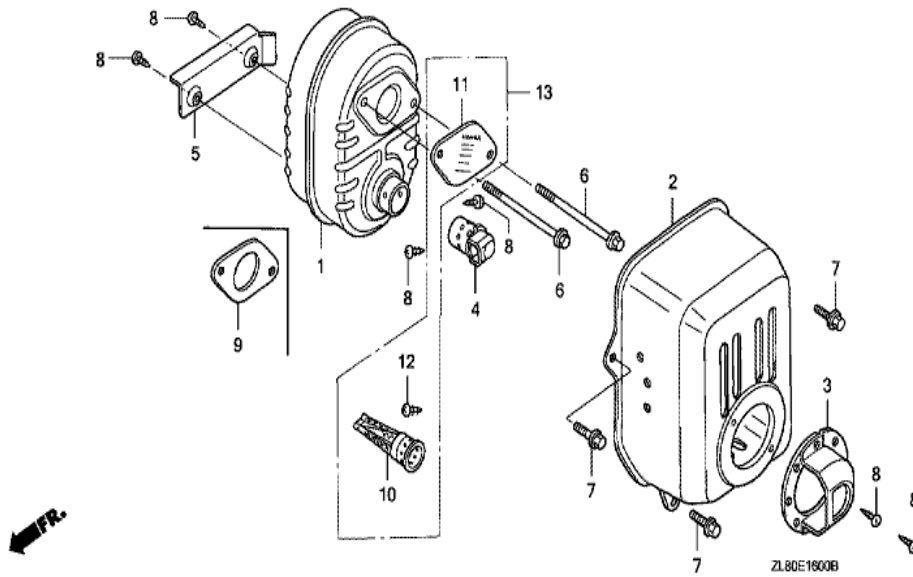


Ref	Partnumber	Description	GC160A	Serial Numbers
001	16010-883-015	PACKING SET	1	
002	16013-ZL1-003	FLOAT SET	1	
003	16015-ZL8-003	CHAMBER SET, FLOAT	1	
005	16024-124-760	SCREW SET, DRAIN	1	
006	16028-ZE0-005	SCREW SET	1	
007	16029-ZG0-901	SCREW SET (THROTTLE STOP)	1	
008	16100-Z0J-003	CARBURETOR ASSY. (BB61J A)	1	3936811
008	16100-Z0J-003	CARBURETOR ASSY. (BB61J A)	1	1142746
008	16100-Z0J-003	CARBURETOR ASSY. (BB61J A)	1	1254709 2037604
008	16100-Z0J-003	CARBURETOR ASSY. (BB61J A)	1	3936811
008	16100-Z0J-013	CARBURETOR ASSY. (BB61J B)	1	3936812
008	16100-Z0J-013	CARBURETOR ASSY. (BB61J B)	1	3936812
009	16155-ZL8-013	VALVE COMP., FLOAT	1	BB63B C

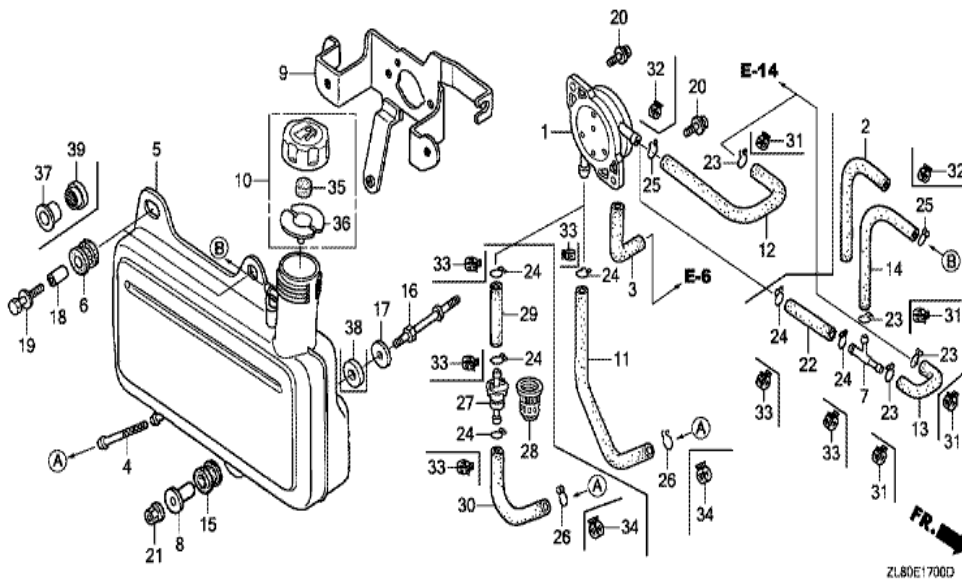
<u>Ref</u>	<u>Partnumber</u>	<u>Description</u>	<u>GC160A</u>	<u>Serial Numbers</u>
009	16155-ZL8-013	VALVE COMP., FLOAT	1	
009	16155-ZL8-013	VALVE COMP., FLOAT	1	BB63B C
010	16166-ZL8-003	NOZZLE, MAIN	1	
010	16166-ZL8-003	NOZZLE, MAIN	1	
010	16166-ZL8-003	NOZZLE, MAIN	1	
012	16212-ZL8-000	PACKING, INSULATOR	1	
014	16228-ZL8-000	PACKING, CARBURETOR	1	
016	93500-050061H	SCREW, PAN, 5X6	1	
017	95002-02650	CLIP, TUBE (B6.5)	1	
018	95003-0701531	TUBE, VINYL, 4X7X150 (95003-07001-60M)	1	
019	99101-1240600	JET, MAIN, #60	(1)	
019	99101-1240600	JET, MAIN, #60	(1)	
019	99101-1240620	JET, MAIN, #62	(1)	
019	99101-1240620	JET, MAIN, #62	(1)	
019	99101-1240650	JET, MAIN, #65	1	
019	99101-1240650	JET, MAIN, #65	1	
020	16210-ZL8-000	INSULATOR, CARBURETOR	1	
021	90634-ZL8-000	CAP, SEALING	1	
022	16016-ZG0-W00	SCREW SET	1	
023	19651-Z0J-000	GUIDE, AIR	1	
024	95002-02650	CLIP, TUBE (B6.5)	1	



Ref	Partnumber	Description	GC160A	Serial Numbers
001	15721-Z0J-U30	TUBE, BREATHER	1	
002	16271-ZE1-000	PACKING, ELBOW	1	
003	17210-ZE1-822	ELEMENT, AIR CLEANER (DUAL)	1	
004	17218-ZE1-821	FILTER, OUTER	1	
005	17220-Z0J-U30	CASE COMP., AIR CLEANER	1	
006	17228-Z8A-000	PACKING, AIR CLEANER	1	3968756
006	17228-Z8A-000	PACKING, AIR CLEANER	1	3968756
006	17228-ZL8-000	PACKING, AIR CLEANER	1	3968755
007	17231-Z0J-U30	COVER, AIR CLEANER	1	
007	17231-Z0J-U30	COVER, AIR CLEANER	1	
008	17232-891-000	GROMMET, AIR CLEANER	1	
009	90003-ZL8-000	BOLT, FLANGE, 6X112 (CT200)	2	
010	90202-Z2E-000	NUT, AIR CLEANER COVER	1	



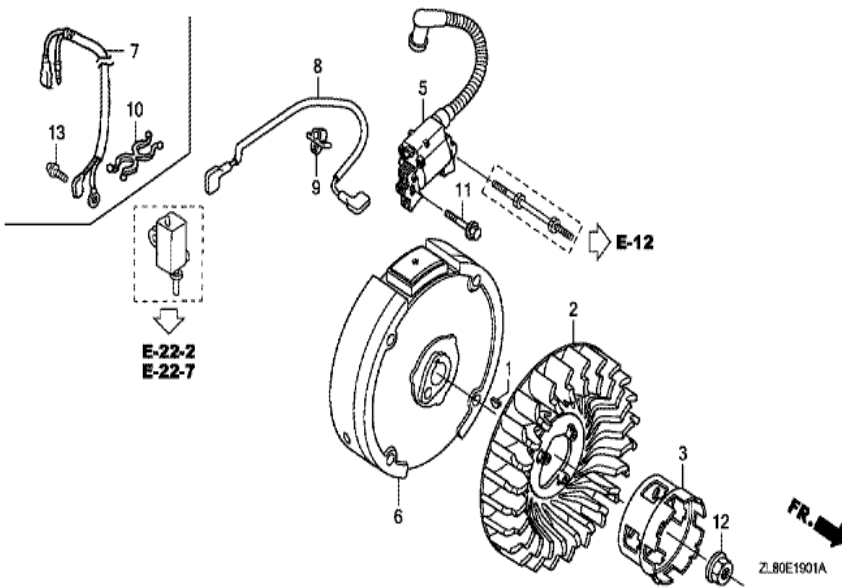
Ref	Partnumber	Description	GC160A	Serial Numbers
001	18310-Z0Y-000	MUFFLER COMP.	1	
001	18310-Z0Y-000	MUFFLER COMP.	1	1224176
002	18321-Z0L-800	PROTECTOR, MUFFLER	1	
002	18321-Z0L-800	PROTECTOR, MUFFLER	1	
003	18348-ZL8-000	CAP, MUFFLER	1	
004	18430-ZL8-000	DEFLECTOR COMP., MUFFLER	1	
006	90004-ZL8-000	BOLT, FLANGE, 6X79 (CT200)	2	
007	90013-883-000	BOLT, FLANGE, 6X12 (CT200)	3	
008	90055-ZE1-000	SCREW, TAPPING, 4X6	2	
008	90055-ZE1-000	SCREW, TAPPING, 4X6	2	1199934
008	90055-ZE1-000	SCREW, TAPPING, 4X6	4	
009	18381-ZL8-305	GASKET, MUFFLER	(1)	



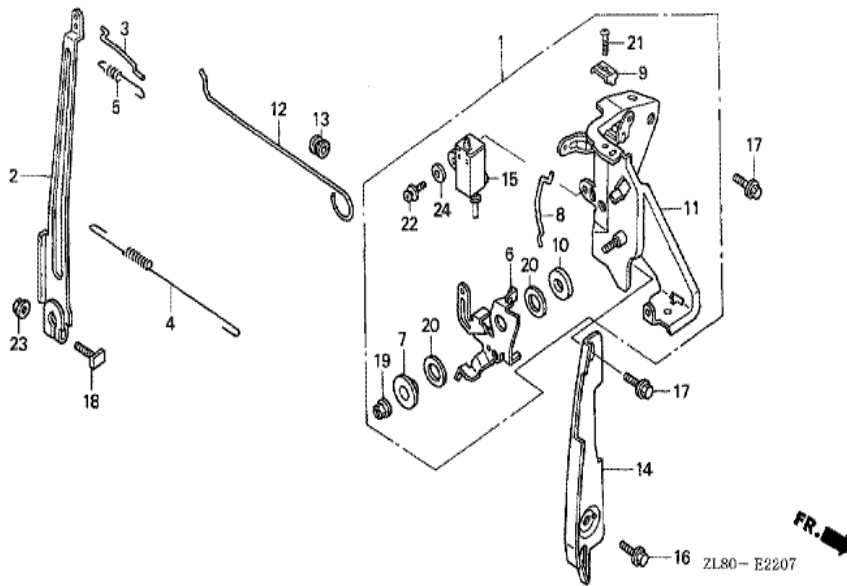
Ref	Partnumber	Description	GC160A	Serial Numbers
001	16700-ZOJ-003	PUMP ASSY., FUEL	1	
001	16700-ZOJ-003	PUMP ASSY., FUEL	1	1116938
002	16854-ZH8-000	RUBBER, SUPPORTER (107MM)	1	
003	16882-ZL8-000	TUBE, DIAPHRAGM	1	
003	16882-ZL8-000	TUBE, DIAPHRAGM	1	
005	17511-ZOJ-820	TANK, FUEL	1	
006	17516-ZV0-000	RUBBER B, TANK MOUNTING	2	
007	17519-ZL8-800	JOINT, FUEL TUBE	1	
008	17535-166-000	COLLAR, FR. COVER SETTING	1	
009	17561-ZOJ-000	STAY A, FUEL TANK	1	
009	17561-ZOJ-000	STAY A, FUEL TANK	1	3363962
010	17620-ZOM-000	CAP ASSY., FUEL TANK	1	
010	17620-ZOM-000	CAP ASSY., FUEL TANK	1	1102862

<u>Ref</u>	<u>Partnumber</u>	<u>Description</u>	<u>GC160A</u>	<u>Serial Numbers</u>
013	17702-ZL8-800	TUBE, FUEL	1	3327391
013	17702-ZL8-800	TUBE, FUEL	1	
014	17703-ZL8-800	TUBE, FUEL RETURN	1	3327391
014	17703-ZL8-800	TUBE, FUEL RETURN	1	
015	80103-MG2-000	CUSHION, RR. FENDER	1	
016	90041-ZL8-000	BOLT, FUEL TANK STUD (H=30MM)	1	
017	90473-896-000	WASHER, 6MM	1	
018	90501-KA2-640	COLLAR, 14X6.1	2	
019	93404-0602500	BOLT-WASHER, 6X25	2	
020	93894-0501400	SCREW-WASHER, 5X14	2	
021	94050-06000	NUT, FLANGE, 6MM	1	
022	95001-5503340	TUBE, FUEL, 5.3X33 (95001-55001-60M)	1	
022	95001-5503340	TUBE, FUEL, 5.3X33 (95001-55001-60M)	1	
023	95002-02080	CLIP, TUBE (B8)	1	
023	95002-02080	CLIP, TUBE (B8)	1	1142745
023	95002-02080	CLIP, TUBE (B8)	3	
024	95002-02100	CLIP, TUBE (B10)	1	
024	95002-02100	CLIP, TUBE (B10)	1	1142745
024	95002-02100	CLIP, TUBE (B10)	5	
025	95002-50000	CLIP, TUBE (C9)	1	
025	95002-50000	CLIP, TUBE (C9)	1	1142745
026	95002-70000	CLIP, TUBE (C11)	1	
026	95002-70000	CLIP, TUBE (C11)	1	1142745
027	16910-ZV4-015	STRAINER COMP., FUEL	1	
028	16915-ZV4-000	SUSPENSION, STRAINER	1	
029	17704-ZL8-800	TUBE, FUEL PUMP	1	3327391
029	17704-ZL8-800	TUBE, FUEL PUMP	1	
030	17701-ZL8-800	TUBE, FUEL TANK	1	
030	17701-ZL8-800	TUBE, FUEL TANK	1	
035	17622-888-010	SPONGE, FUEL CAP BREATHER	1	
035	17622-888-010	SPONGE, FUEL CAP BREATHER	1	1102862
036	17624-ZE7-000	PACKING, FUEL CAP	1	
036	17624-ZE7-000	PACKING, FUEL CAP	1	1102862

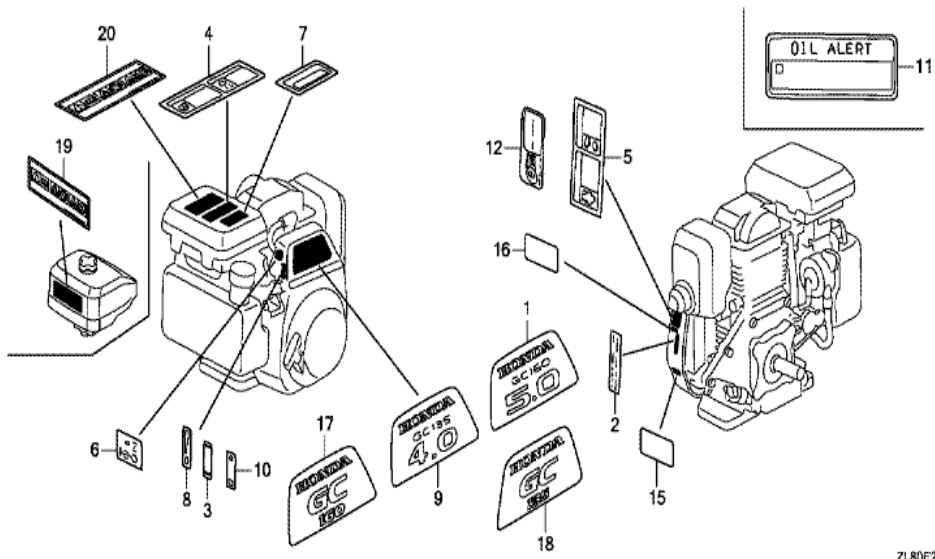




Ref	Partnumber	Description	GC160A	Serial Numbers
001	13331-357-000	KEY, SPECIAL WOODRUFF, 25X18	1	3995037
001	13331-Z8B-900	KEY, SPECIAL WOODRUFF, 25X18	1	3995038
002	19511-Z0J-900	FAN, COOLING	1	
003	28451-Z0J-900	PULLEY, STARTER	1	
005	30500-Z0J-004	COIL ASSY., IGNITION (TOYO)	1	
006	31110-Z0J-004	FLYWHEEL COMP.	1	
008	32195-Z0J-900	CORD, STOP SWITCH	1	
009	36103-ZE1-000	HOLDER, STOP SWITCH CORD	1	
011	90018-ZE1-000	BOLT, FLANGE, 6X23 (CT200)	1	
012	90201-Z0T-800	NUT, SPECIAL, 14MM	1	

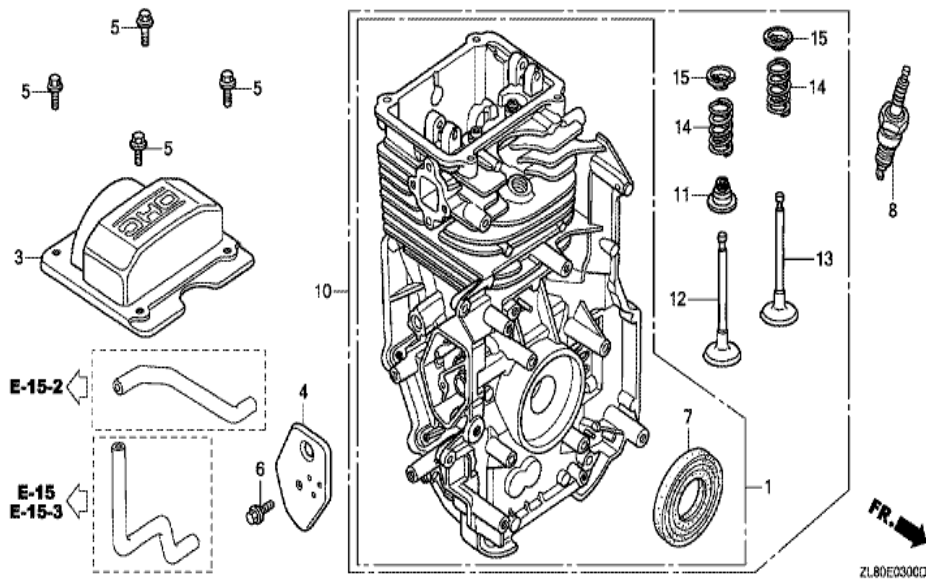


<u>Ref</u>	<u>Partnumber</u>	<u>Description</u>	<u>GC160A</u>	<u>Serial Numbers</u>
001	16500-ZL8-V30	CONTROL ASSY.	1	
002	16551-ZL8-010	ARM, GOVERNOR	1	
002	16551-ZL8-010	ARM, GOVERNOR	1	
003	16555-ZL8-000	ROD, GOVERNOR	1	
004	16561-ZL9-V20	SPRING, GOVERNOR	1	1308265
004	16561-ZL9-V20	SPRING, GOVERNOR	1	
005	16562-ZL8-800	SPRING, THROTTLE RETURN	1	
006	16571-ZL8-800	LEVER, CONTROL	1	
007	16575-ZL8-800	WASHER, CONTROL LEVER (###)	1	
008	16576-ZL8-V30	ROD, CONTROL LEVER	1	
009	16576-891-000	HOLDER, CABLE	1	
010	16578-ZL8-800	SPACER, CONTROL LEVER (###)	1	
011	16580-ZL8-V30	BASE COMP., CONTROL (###)	1	
<u>Ref</u>	<u>Partnumber</u>	<u>Description</u>	<u>GC160A</u>	<u>Serial Numbers</u>
012	16611-ZL8-000	ROD, CHOKE CONTROL	1	
013	16613-893-000	GROMMET, CHOKE ROD	1	
014	19612-Z0L-000	PLATE, SIDE	1	
015	35120-ZL8-003	SWITCH ASSY., ENGINE STOP (N.O)	1	
016	90013-883-000	BOLT, FLANGE, 6X12 (CT200)	1	
017	90014-952-000	BOLT, FLANGE, 6X14 (CT200)	2	
018	90015-ZE5-010	BOLT, GOVERNOR ARM	1	
019	90114-SA0-000	NUT, SELF-LOCK, 6MM	1	
020	90452-KG8-000	WASHER, 12.5MM	2	
021	93500-050160A	SCREW, PAN, 5X16	1	
022	93892-0401200	SCREW-WASHER, 4X12	1	
023	94050-06000	NUT, FLANGE, 6MM	1	
024	94103-04000	WASHER, PLAIN, 4MM	1	

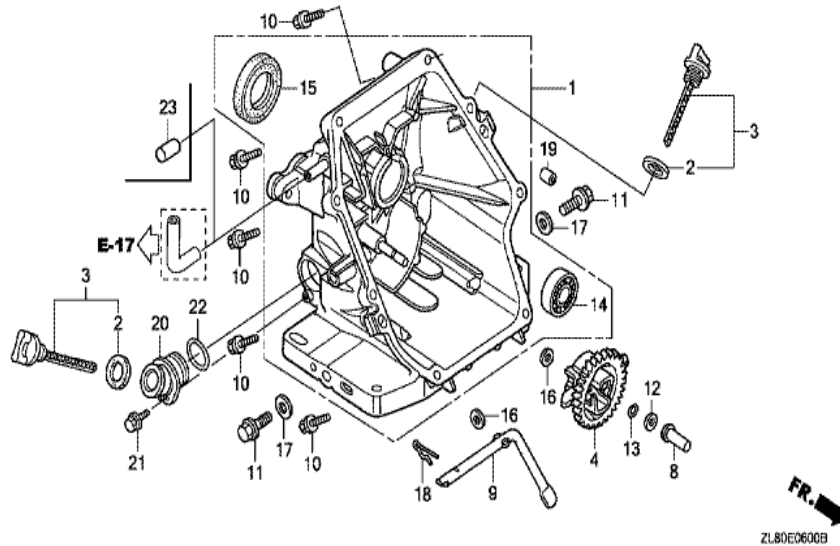


ZL80E2800L

Ref	Partnumber	Description	GC160A	Serial Numbers
006	87528-ZL8-000	MARK, CHOKE	1	
015	87114-ZH7-840	LABEL, WARNING (NOT CERTIFIED FOR SALE)	1	3364530
015	87114-ZH7-840	LABEL, WARNING (NOT CERTIFIED FOR SALE)	1	
017	87101-ZL8-020	EMBLEM (GC160)	1	
019	87519-Z0J-000	MARK, OPERATOR CAUTION	1	

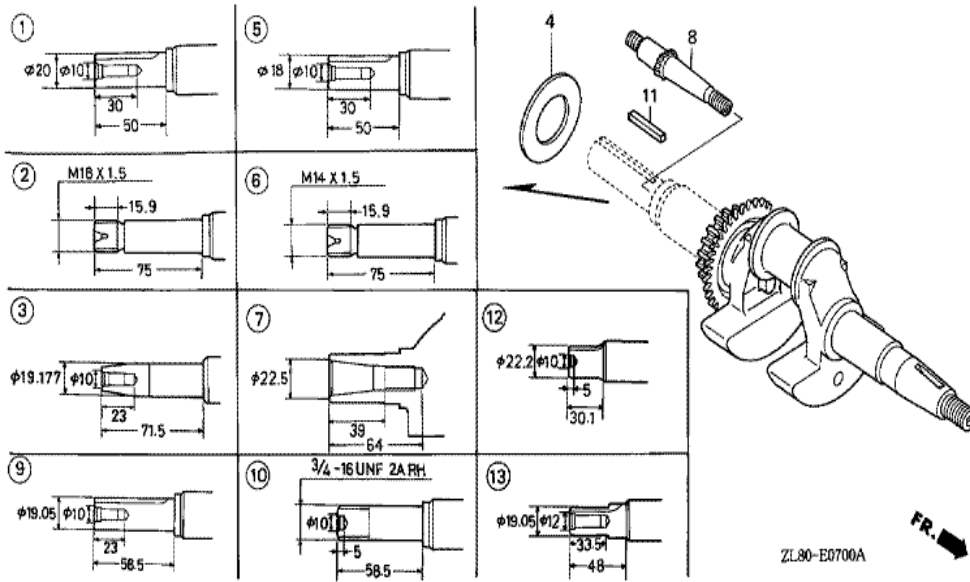


<u>Ref</u>	<u>Partnumber</u>	<u>Description</u>	<u>GC160A</u>	<u>Serial Numbers</u>
001	12000-Z0L-406	BARREL ASSY., CYLINDER	1	
001	12000-Z0L-406	BARREL ASSY., CYLINDER	1	
003	12310-Z0J-000	COVER COMP., CYLINDER HEAD	1	
003	12310-Z0J-000	COVER COMP., CYLINDER HEAD	1	
004	12355-ZL8-000	COVER COMP., BREATHER	1	
005	90013-883-000	BOLT, FLANGE, 6X12 (CT200)	4	
006	90014-952-000	BOLT, FLANGE, 6X14 (CT200)	1	
007	91201-ZL8-003	OIL SEAL, 25.4X62X6	1	
008	98079-56846	PLUG, SPARK (BPR6ES) (NGK)	1	
011	12209-ZM0-003	SEAL, VALVE STEM	1	
011	12209-ZM0-003	SEAL, VALVE STEM	1	
012	14711-Z0J-800	VALVE, IN.	1	
012	14711-Z0J-800	VALVE, IN.	1	
<u>Ref</u>	<u>Partnumber</u>	<u>Description</u>	<u>GC160A</u>	<u>Serial Numbers</u>
012	14711-ZL8-000	VALVE, IN. (TECHNOSTAR)	1	
012	14711-ZL8-000	VALVE, IN. (TECHNOSTAR)	1	
013	14721-ZL8-000	VALVE, EX. (L8E)	1	
013	14721-ZL8-000	VALVE, EX. (L8E)	1	
014	14751-ZL8-000	SPRING, VALVE	2	
015	14771-Z0J-000	RETAINER, VALVE SPRING	2	
015	14771-Z0J-000	RETAINER, VALVE SPRING	2	



ZL80E0600B

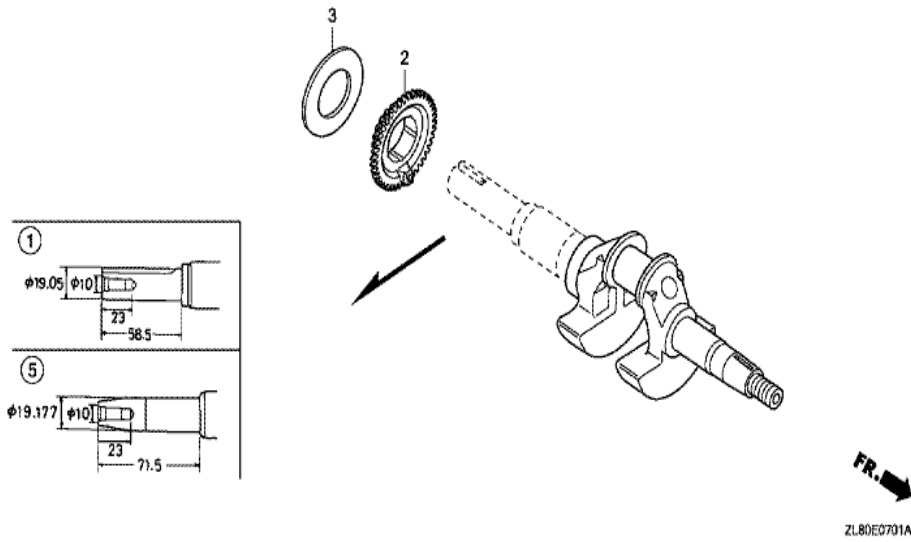
<u>Ref</u>	<u>Partnumber</u>	<u>Description</u>	<u>GC160A</u>	<u>Serial Numbers</u>
001	11300-ZL8-409	COVER ASSY., CRANKCASE	1	1398446
001	11300-ZL8-409	COVER ASSY., CRANKCASE	1	
002	15625-Z2L-801	PACKING, OIL FILLER CAP	1	
002	15625-Z2L-801	PACKING, OIL FILLER CAP	1	1085493
003	15650-Z2L-801	GAUGE ASSY., OIL LEVEL	1	
003	15650-Z2L-801	GAUGE ASSY., OIL LEVEL	1	1085493
004	16510-ZL8-000	GOVERNOR ASSY.	1	
008	16531-ZE1-000	SLIDER, GOVERNOR	1	
009	16541-ZL8-000	SHAFT, GOVERNOR ARM	1	
009	16541-ZL8-000	SHAFT, GOVERNOR ARM	1	
010	90121-952-000	BOLT, FLANGE, 6X25 (CT200)	8	
011	90131-883-000	BOLT, DRAIN PLUG, 12X15	1	1398445
011	90131-883-000	BOLT, DRAIN PLUG, 12X15	2	
<u>Ref</u>	<u>Partnumber</u>	<u>Description</u>	<u>GC160A</u>	<u>Serial Numbers</u>
012	90451-ZE1-000	WASHER, THRUST, 6MM	1	
013	90602-ZE1-000	CLIP, GOVERNOR HOLDER	1	
015	91202-ZL8-003	OIL SEAL, 28X41.25X6	1	
016	94101-06800	WASHER, PLAIN, 6MM	2	
017	94109-12000	WASHER, DRAIN PLUG, 12MM	1	1398445
017	94109-12000	WASHER, DRAIN PLUG, 12MM	2	
018	94251-08000	PIN, LOCK, 8MM	1	
019	94301-08200	DOWEL PIN, 8X20	2	
019	94301-08200	DOWEL PIN, 8X20	2	



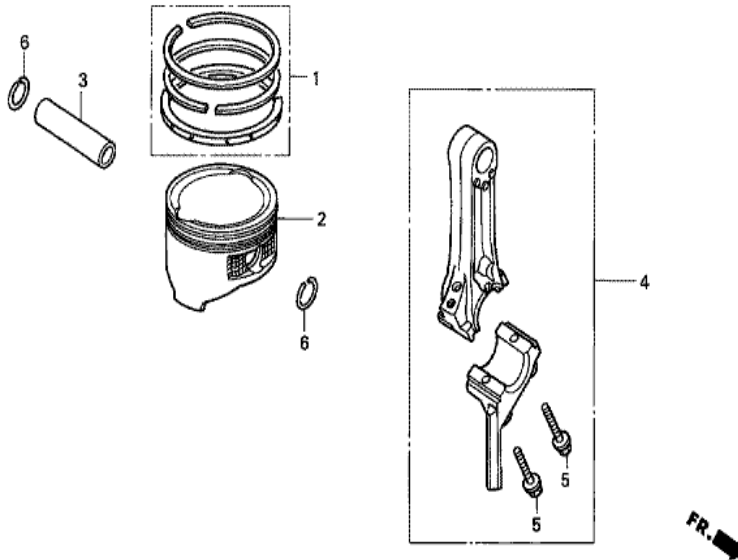
ZL80-E0700A

FR. →

Ref	Partnumber	Description	GC160A	Serial Numbers
004	90402-ZL8-000	WASHER, THRUST	1	3995037
009	13310-ZL8-600	CRANKSHAFT COMP.	1	
009	13310-ZL8-600	CRANKSHAFT COMP.	1	3995037



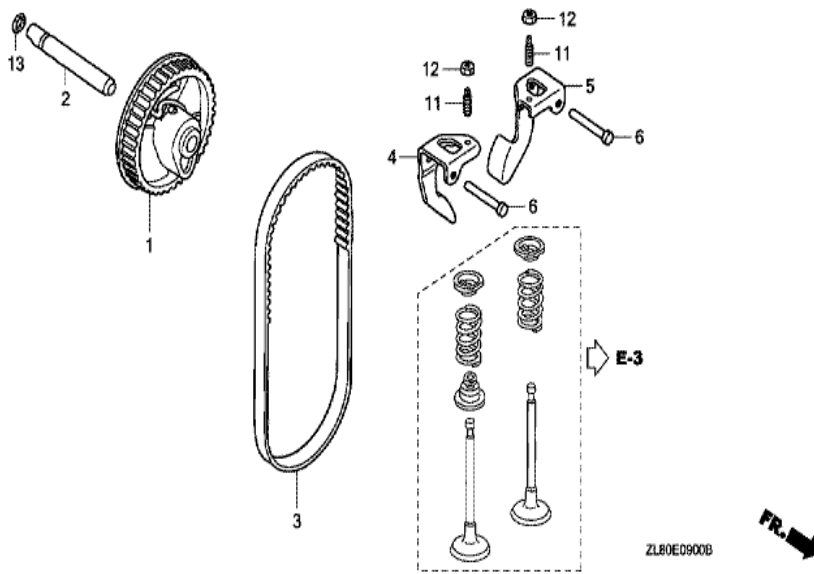
Ref	Partnumber	Description	GC160A	Serial Numbers
001	13311-Z8A-900	CRANKSHAFT	1	3995038
002	13621-Z8B-900	PULLEY, TIMING BELT DRIVE	1	3995038
003	90402-ZL8-000	WASHER, THRUST	1	3995038



ZL80-- E0800

Ref	Partnumber	Description	GC160A	Serial Numbers
001	13010-ZOL-014	RING SET, PISTON (STD.) (TEIKOKU)	1	3598776
001	13010-ZOL-014	RING SET, PISTON (STD.) (TEIKOKU)	1	
002	13101-Z2A-010	PISTON	1	3598776
002	13101-Z2A-010	PISTON	1	3968755
002	13101-Z8B-820	PISTON	1	3968756
003	13111-ZE0-000	PIN, PISTON	1	
003	13111-ZE0-000	PIN, PISTON	1	
004	13200-ZOJ-000	ROD ASSY., CONNECTING	1	
004	13200-ZOJ-000	ROD ASSY., CONNECTING	1	
005	90001-ZE1-000	BOLT, CONNECTING ROD	2	
006	90551-ZE0-000	CLIP, PISTON PIN, 13MM	2	





Ref	Partnumber	Description	GC160A	Serial Numbers
001	14320-ZL8-010	PULLEY COMP., CAMSHAFT	1	
002	14324-ZL8-000	SHAFT, CAM PULLEY	1	
002	14324-ZL8-000	SHAFT, CAM PULLEY	1	
003	14400-Z0J-014	BELT, TIMING (84HU7 G-200)	1	
003	14400-Z0J-014	BELT, TIMING (84HU7 G-200)	1	
004	14431-Z0J-000	ARM, IN. VALVE ROCKER	1	
004	14431-Z0J-000	ARM, IN. VALVE ROCKER	1	
005	14441-Z0J-000	ARM, EX. VALVE ROCKER	1	
005	14441-Z0J-000	ARM, EX. VALVE ROCKER	1	
006	14461-ZL8-000	SHAFT, ROCKER ARM	2	
011	90012-333-000	SCREW, TAPPET ADJUSTING	2	
012	90206-001-000	NUT, TAPPET ADJUSTING	2	
013	91301-ZM0-V31	O-RING, 6.8X1.9 (ARAI)	1	