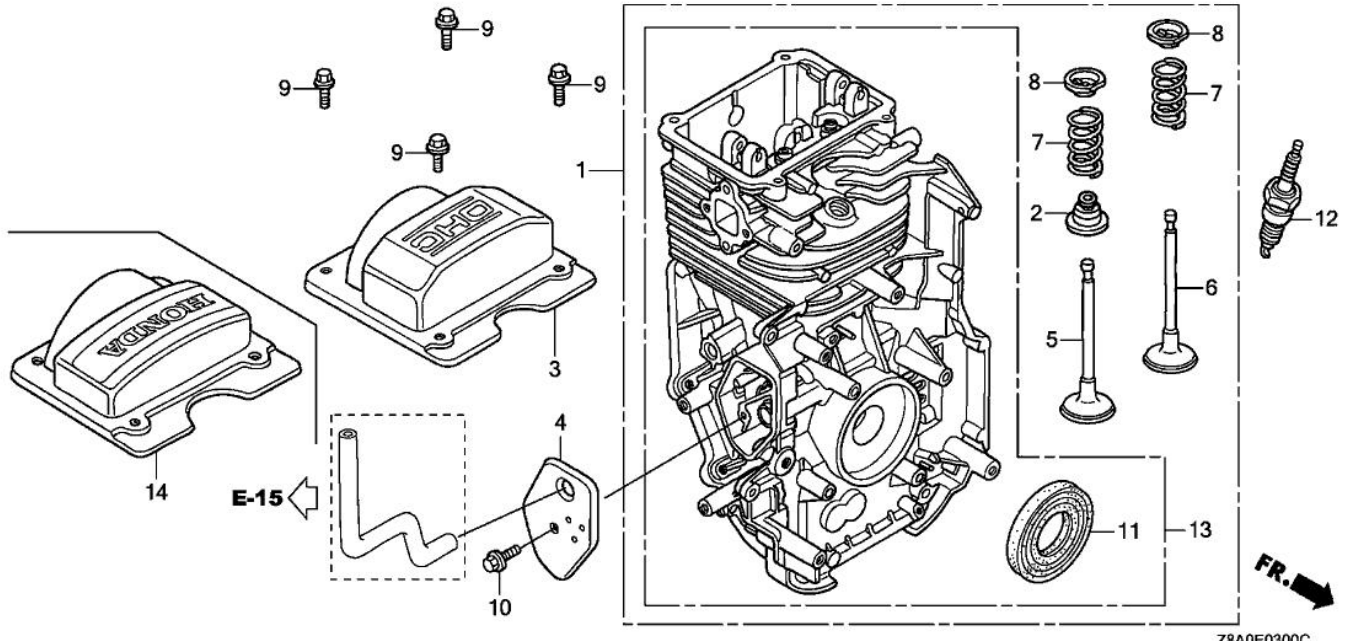
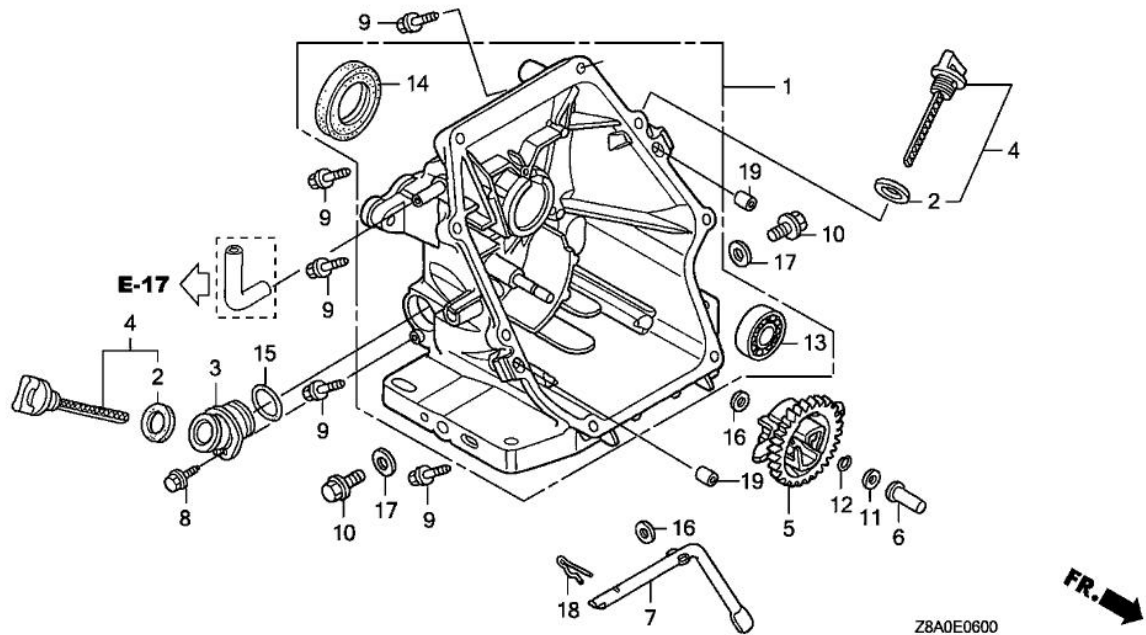


TRU-POWER, INC.

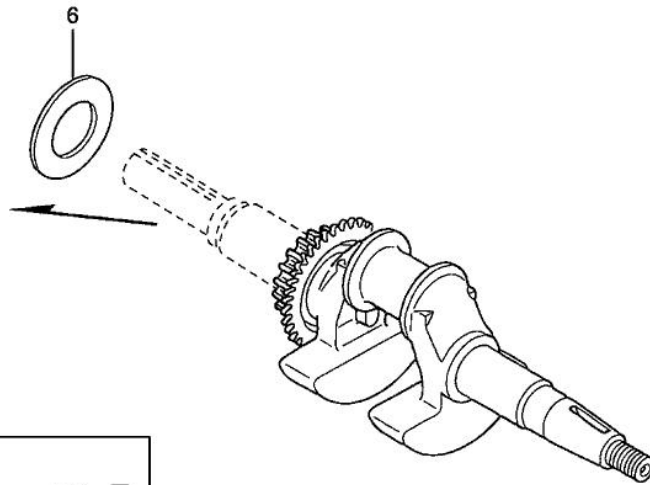
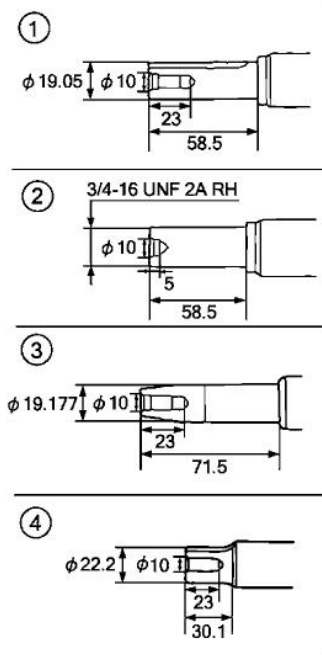
Model Name	GC160LA	Product Line	GENERAL PURPOSE ENGINE
Mfg		Type	MHA2
Section	ENGINE	Illustration	CYLINDER BARREL



Ref.	Part Number	Part Description	Qty.
001	12000-Z0L-505	BARREL COMP,CYLN	001
002	12209-ZM0-003	SEAL, VALVE STEM	001
003	12310-Z0J-000	COVER, CYLINDER HEAD	001
003	12310-Z0J-000	COVER, CYLINDER HEAD	001
003	12311-ZL8-000	COVER, HEAD	001
003	12310-Z8A-000	COVER, CYLINDER HEAD	001
003	12310-Z8A-000	COVER, CYLINDER HEAD	001
004	12355-ZL8-000	COVER, BREATHER (BREATHER VALVE ASSY.)	001
005	14711-Z0J-000	VALVE, IN. (ROCKNEL)	001
006	14721-ZL8-000	VALVE, EX. (L8E)	001
006	14721-Z8B-000	VALVE, EX. (C8E)	001
007	14751-ZL8-000	SPRING, VALVE	002
008	14771-Z0J-000	RETAINER, VALVE SPRING	002
009	90013-883-000	BOLT, FLANGE (6X12) (CT200)	004
010	90014-952-000	BOLT, FLANGE (6X14) (CT200)	001
011	91201-ZL8-003	OIL SEAL (25.4X62X6)	001
012	98079-56846	SPARK PLUG (BPR6ES) (NGK)	001
014	12311-Z8B-000	COVER, HEAD	001



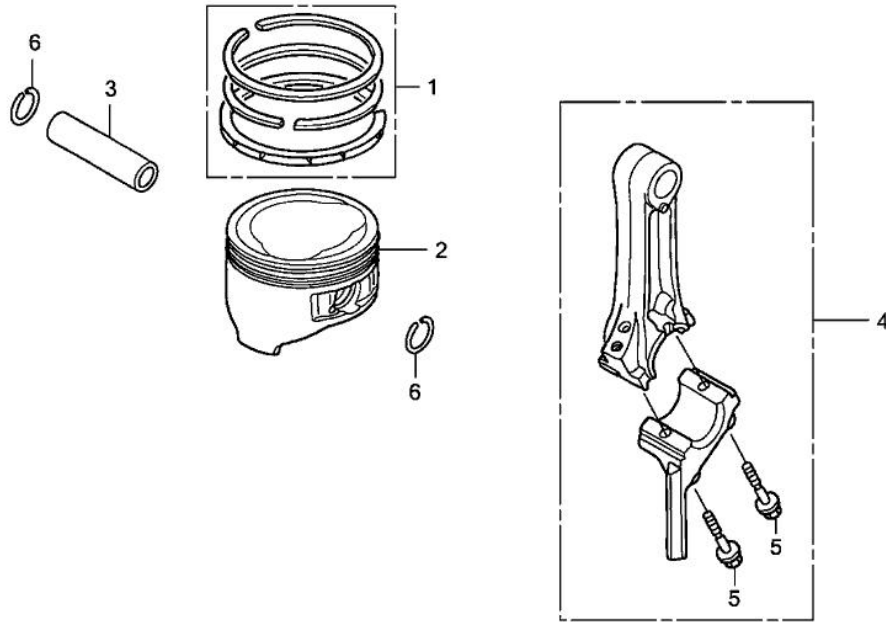
Ref.	Part Number	Part Description	Qty.
001	11300-ZL8-601	COVER ASSY., CRANKCASE	001
002	15625-Z2L-801	GASKET, OIL FILLER CAP	001
004	15650-ZL8-013	GAUGE ASSY., OIL LEVEL	001
005	16510-ZL8-000	GOVERNOR ASSY.	001
006	16531-ZE1-000	SLIDER, GOVERNOR	001
007	16541-ZL8-000	SHAFT, GOVERNOR ARM	001
009	90121-952-000	BOLT, FLANGE (6X25) (CT200)	008
010	90131-896-650	BOLT, DRAIN PLUG (12X15)	002
011	90451-ZE1-000	WASHER, THRUST (6MM)	001
012	90602-ZE1-000	CLIP, GOVERNOR HOLDER	001
014	91202-ZL8-003	OIL SEAL (28X41.25X6)	001
016	94101-06800	WASHER, PLAIN (6MM)	002
017	94109-12000	WASHER, DRAIN PLUG (12MM)	002
018	94251-08000	PIN, LOCK (8MM)	001
019	94301-08200	PIN, DOWEL (8X20)	002



Z8A0E0700

FR. →

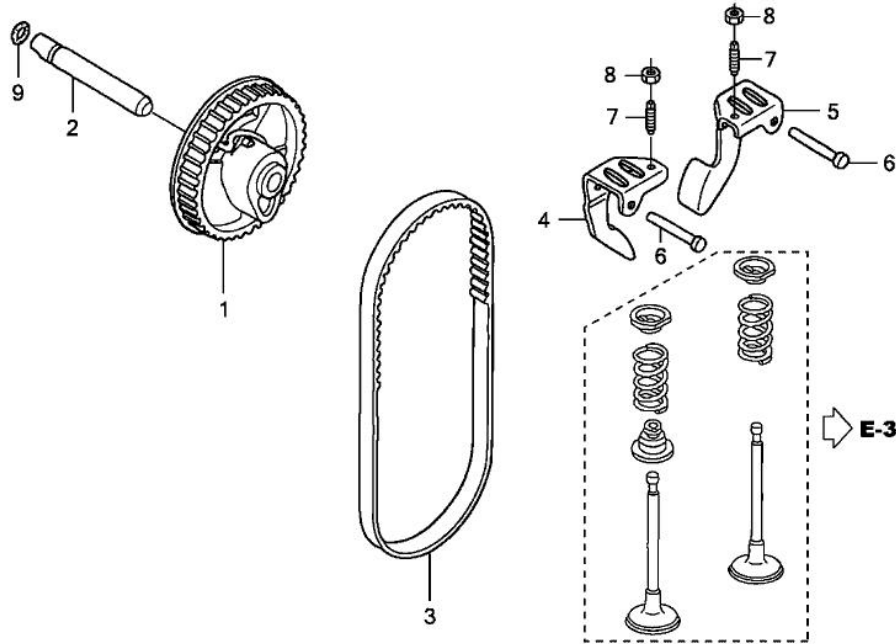
Ref.	Part Number	Part Description	Qty.
005	06131-Z8A-W20	CRANKSHAFT KIT	001
006	90402-ZL8-000	WASHER, THRUST	001



Z8A0E0800

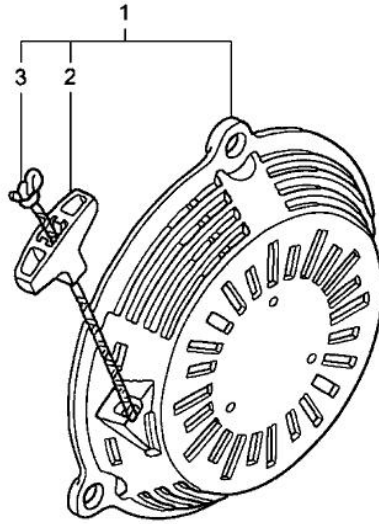
FR. →

Ref.	Part Number	Part Description	Qty.
001	13010-Z0L-014	RING SET, PISTON (STD) (TEIKOKU)	001
002	13101-Z8B-820	PISTON	001
003	13111-ZE0-000	PIN, PISTON	001
004	13200-Z0J-000	ROD ASSY., CONNECTING	001
005	90001-ZE1-000	BOLT, CONNECTING ROD	002
006	90551-ZE0-000	CLIP, PISTON PIN (13MM)	002



Z8A0E0900

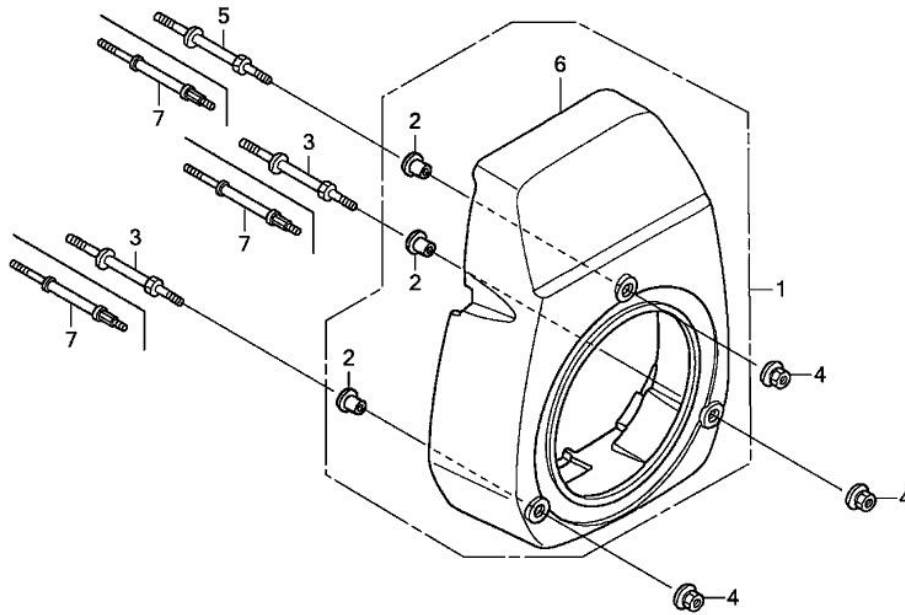
Ref.	Part Number	Part Description	Qty.
001	14320-ZL8-010	PULLEY, CAMSHAFT	001
002	14324-ZL8-000	SHAFT, CAM PULLEY	001
003	14400-Z0J-014	BELT, TIMING (84HU7 G-200)	001
003	14400-Z8B-003	BELT, TIMING (84HU6 G-200)	001
004	14431-Z0J-000	ARM, IN. VALVE ROCKER	001
005	14441-Z0J-000	ARM, EX. VALVE ROCKER	001
006	14461-ZL8-000	SHAFT, ROCKER ARM	002
007	90012-333-000	SCREW, TAPPET ADJUSTING	002
008	90206-001-000	NUT, TAPPET ADJUSTING	002
009	91301-ZM0-V31	O-RING (6.8X1.9) (ARAI)	001



Z8A0E1100

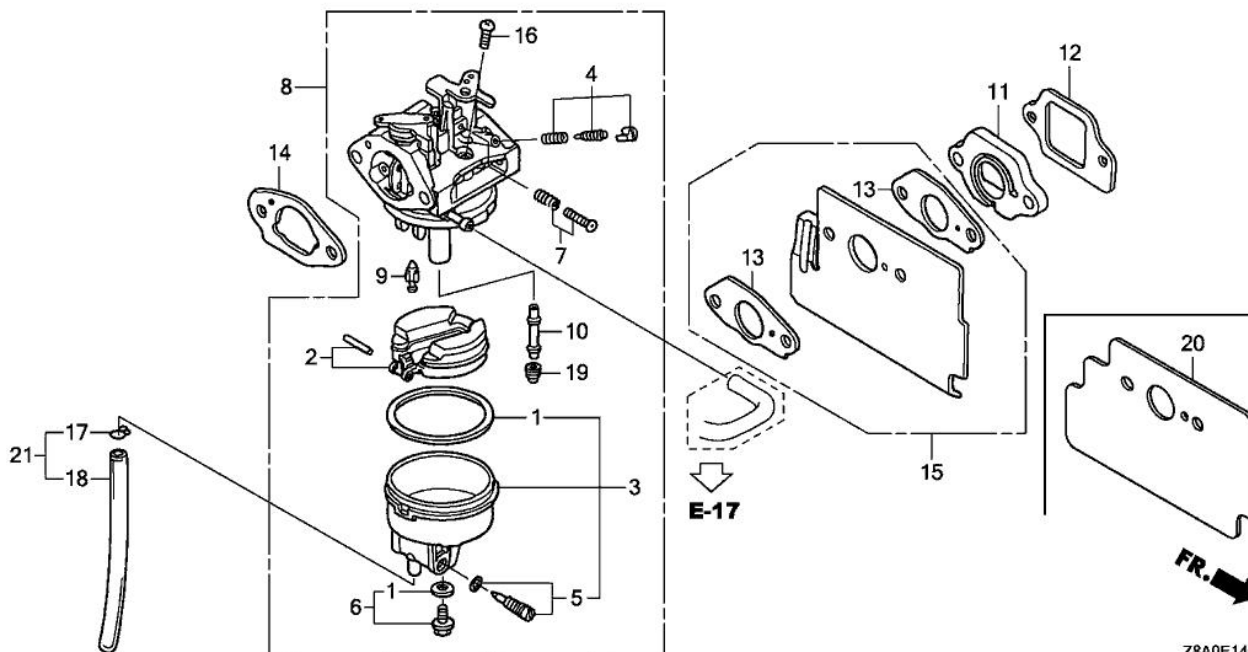


Ref.	Part Number	Part Description	Qty.
001	28400-ZL8-023ZA	STARTER ASSY., RECOIL *NH1*(BLACK)	001
002	28461-ZL8-003	GRIP, STARTER	001
003	28462-ZL8-003	ROPE, RECOIL STARTER	001



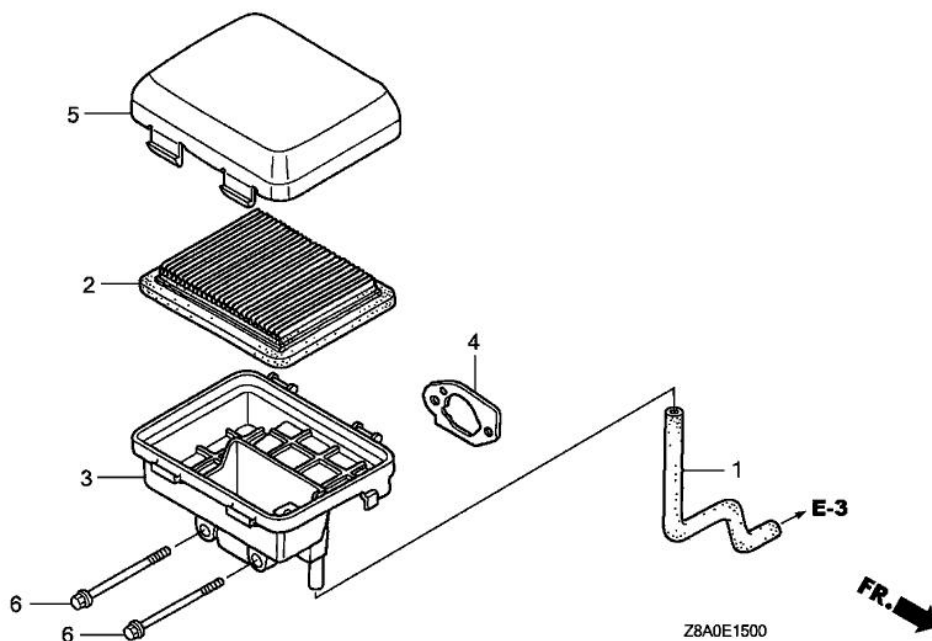
Z8A0E1200B

Ref.	Part Number	Part Description	Qty.
001	19611-ZL8-000ZA	COVER, FAN *NH1*(BLACK)	001
001	19611-Z0J-900ZA	COVER, FAN *NH1*(BLACK)	001
002	19619-ZL8-300	COLLAR, FAN COVER	003
003	90043-ZL8-000	BOLT, STUD (H=42.5MM)	002
004	90201-ZM0-000	NUT, FLANGE (6MM)	003
005	90043-Z0J-900	BOLT, STUD (H=39.5MM)	001
005	90043-ZL8-000	BOLT, STUD (H=42.5MM)	001

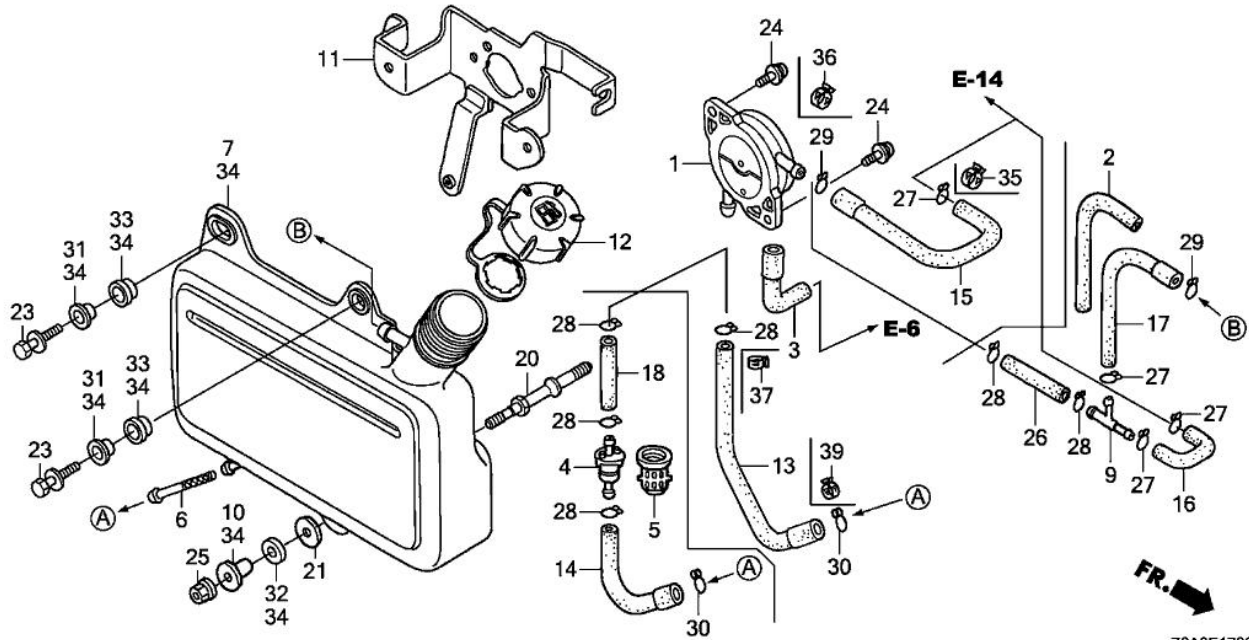


Z8A0E1400B

Ref.	Part Number	Part Description	Qty.
001	16010-883-015	GASKET SET	001
002	16013-ZL1-003	FLOAT SET	001
003	16015-ZL8-003	CHAMBER SET, FLOAT	001
004	16016-ZG0-W00	SCREW SET (CARBURETOR NO.)	001
005	16024-124-760	SCREW SET, DRAIN	001
006	16028-ZE0-005	SCREW SET	001
006	16028-ZK7-S91	SCREW SET	001
007	16029-ZG0-901	SCREW SET (THROTTLE STOP) (CARBURETOR NO.)	001
008	16100-Z0J-003	CARBURETOR ASSY. (BB61J A)	001
008	16100-Z0J-013	CARBURETOR ASSY. (BB61J B)	001
009	16155-ZL8-013	VALVE, FLOAT	001
010	16166-ZL8-003	NOZZLE, MAIN	001
011	16211-ZL8-000	INSULATOR, CARBURETOR	001
012	16212-ZL8-000	GASKET, INSULATOR	001
013	16221-883-800	GASKET, CARBURETOR	002
014	16228-ZL8-000	GASKET, CARBURETOR	001
015	19650-ZL8-000	GUIDE, AIR	001
016	93500-05006-0H	SCREW, PAN (5X6)	001
017	95002-02650	CLIP, TUBE (B6.5)	001
018	95003-07008-60M	BULK HOSE, VINYL (4X7X8000) OEM CUT SIZE: (4X7X150)	001
019	99101-124-0600	JET, MAIN (#60)	(1)
019	99101-124-0620	JET, MAIN (#62)	(1)
019	99101-124-0650	JET, MAIN (#65)	001
020	19651-Z0J-000	GUIDE, AIR	001



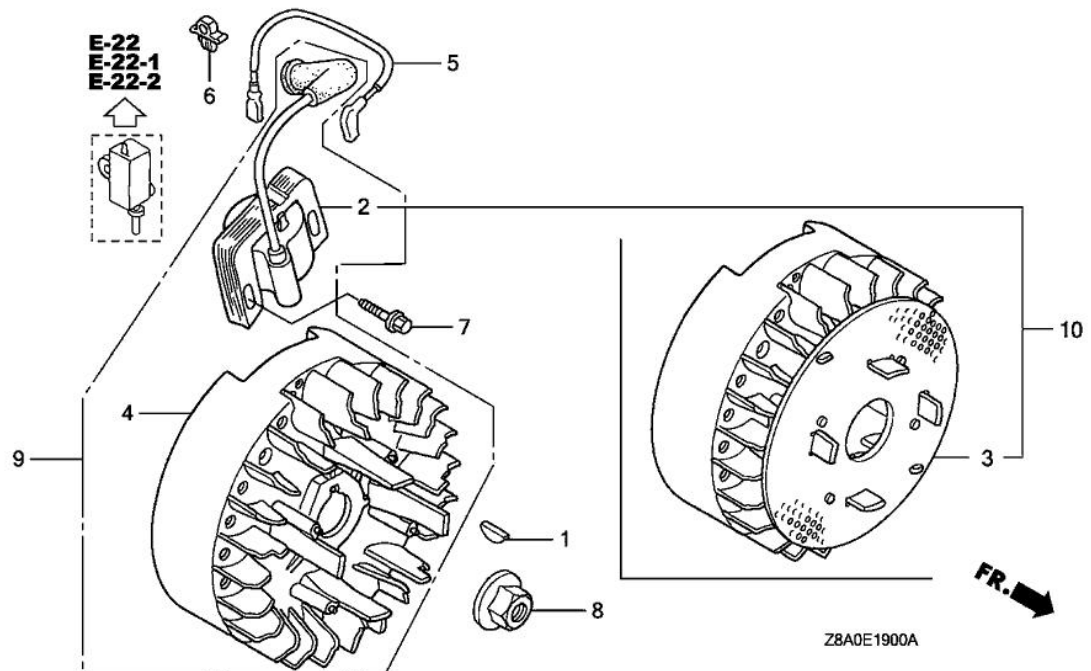
Ref.	Part Number	Part Description	Qty.
001	15721-ZL8-000	TUBE, BREATHER	001
002	17211-ZL8-023	ELEMENT, AIR CLEANER (TOYO ROKI)	001
003	17220-ZL8-000	HOUSING, AIR CLEANER	001
003	17220-ZL8-010	HOUSING, AIR CLEANER	001
003	17220-ZL8-020	HOUSING, AIR CLEANER	001
004	17228-ZL8-000	GASKET, AIR CLEANER	001
004	17228-Z8A-000	GASKET, AIR CLEANER	001
005	17231-Z0J-040	COVER, AIR CLEANER	001
006	90003-ZL8-000	BOLT, FLANGE (6X112) (CT200)	002



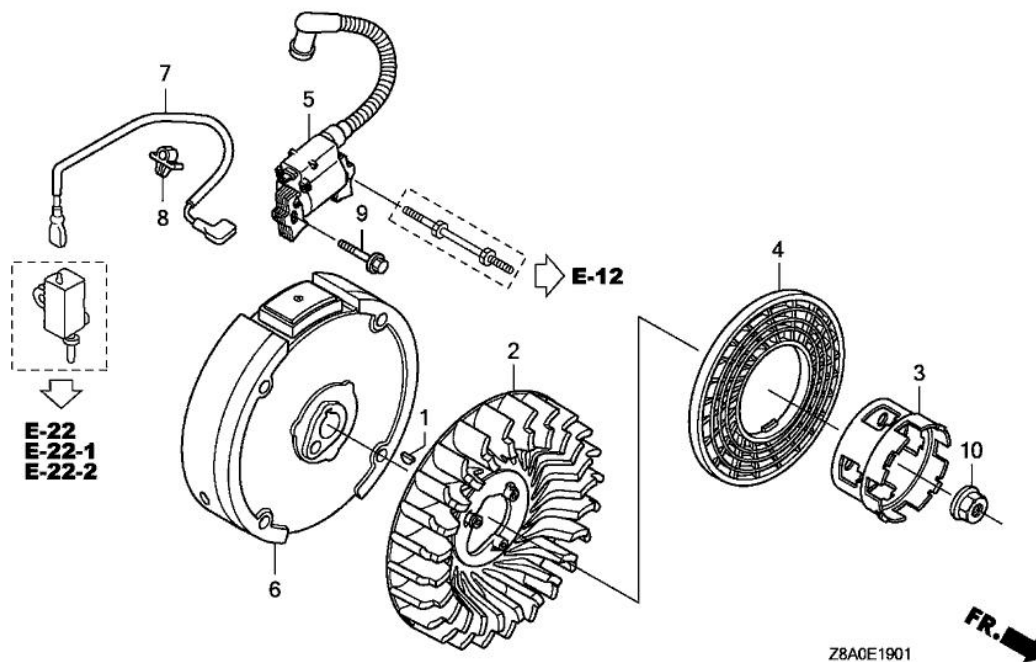
Z8A0E1700C

Ref.	Part Number	Part Description	Qty.
001	16700-Z0J-003	PUMP ASSY., FUEL	001
002	16854-ZH8-000	RUBBER, SUPPORTER (107MM)	001
003	16882-ZL8-000	TUBE, DIAPHRAGM	001
004	16910-ZV4-015	FILTER, FUEL	001
005	16915-ZV4-000	SUSPENSION, STRAINER	001
009	17519-ZL8-800	JOINT, FUEL TUBE	001
010	17535-KE7-000	COLLAR, FUEL TANK SETTING	001
011	17561-Z0J-000	STAY A, FUEL TANK	001
012	17620-Z0J-800	CAP ASSY., FUEL TANK	001
014	17701-ZL8-800	TUBE, FUEL TANK	001
016	17702-ZL8-800	TUBE, FUEL	001
017	17703-ZL8-800	TUBE, FUEL RETURN	001
018	17704-ZL8-800	TUBE, FUEL PUMP	001
020	90041-ZL8-000	BOLT, FUEL TANK STUD (H=30MM)	001
021	90473-896-000	WASHER (6MM)	001
023	93404-06025-00	BOLT-WASHER (6X25)	002
024	93894-05014-00	SCREW-WASHER (5X14)	002
025	94050-06000	NUT, FLANGE (6MM)	001
026	95001-55003-60M	BULK HOSE, FUEL (5.5X3000) OEM CUT SIZE: (5.3X33)	001
027	95002-02080	CLIP, TUBE (B8)	003
028	95002-02100	CLIP, TUBE (B10)	005
029	95002-50000	CLIP, TUBE (C9)	001
030	95002-70000	CLIP, TUBE (C11)	001
034	06175-Z8A-810	TANK KIT, FUEL	001

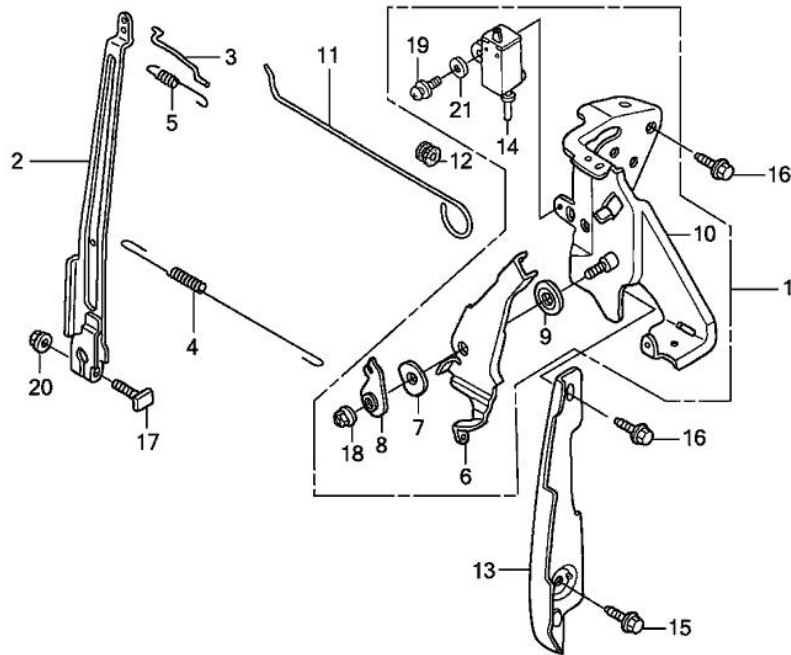
(SOURCE: VINTAG...



Ref.	Part Number	Part Description	Qty.
001	13331-357-000	KEY, SPECIAL WOODRUFF (25X18)	001
002	30500-Z0J-003	COIL ASSY., IGNITION (PHELON) (USE FOR F/W OF PHELON)	001
002	30500-ZL8-014	COIL ASSY., IGNITION (USE FOR F/W OF TEC) (TEC)	(1)
002	30500-Z8B-901	COIL ASSY., IGNITION (PHELON)	001
004	31110-Z0J-013	FLYWHEEL COMP. (PHELON) (USE FOR IGN. COIL OF PHELON)	...
004	31110-ZL8-004	FLYWHEEL COMP. (TEC) (USE FOR IGN. COIL OF TEC)	(USE... (1)
005	32195-Z0J-000	WIRE, STOP SWITCH	001
006	36103-ZE1-000	HOLDER, STOP SWITCH WIRE	001
006	51125-Z0L-003	HOLDER, WIRE (FASTEX)	001
007	90022-888-010	BOLT, FLANGE (6X20) (CT200)	001
008	90201-878-003	NUT, SPECIAL (14MM)	001
009	06311-Z0J-900	FLYWHEEL KIT	(1)



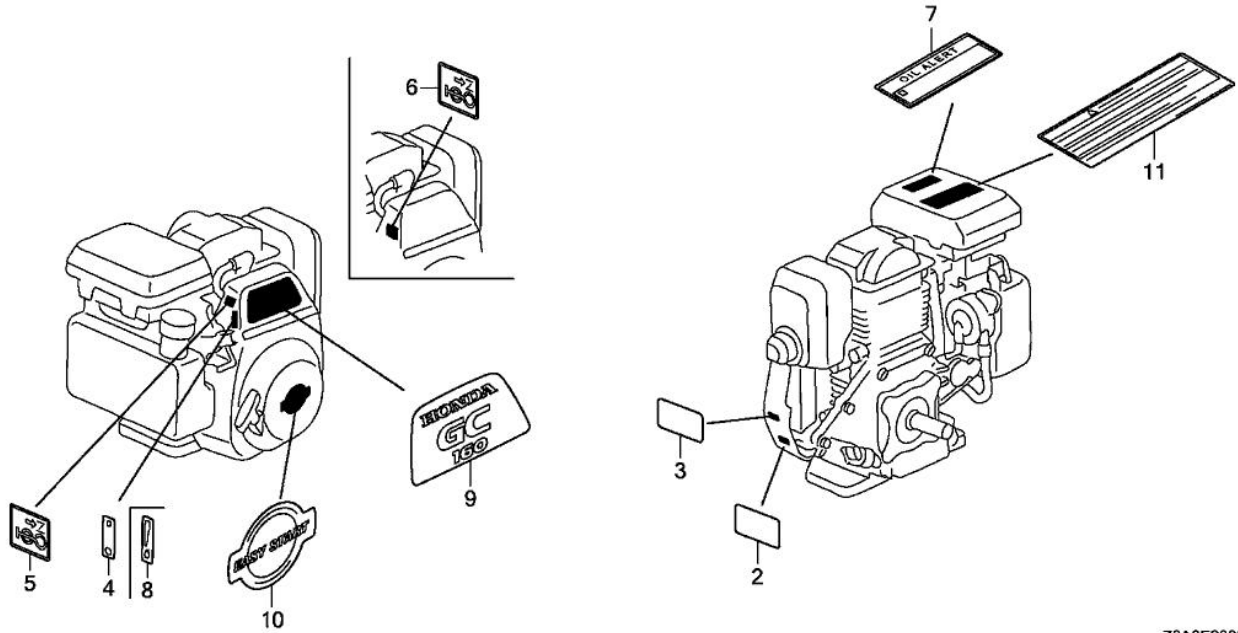
Ref.	Part Number	Part Description	Qty.
001	13331-357-000	KEY, SPECIAL WOODRUFF (25X18)	001
002	19511-Z0J-900	FAN, COOLING	001
003	28451-Z0J-900	PULLEY, STARTER	001
005	30500-Z0J-004	COIL ASSY., IGNITION (TOYO)	001
006	31110-Z0J-004	FLYWHEEL	001
006	31110-Z0J-014	FLYWHEEL	001
007	32195-Z0J-900	WIRE, STOP SWITCH	001
008	36103-ZE1-000	HOLDER, STOP SWITCH WIRE	001
008	51125-Z0L-003	HOLDER, WIRE (FASTEX)	001
009	90018-ZE1-000	BOLT, FLANGE (6X23) (CT200)	001
010	90201-Z0T-800	NUT, SPECIAL (14MM)	001



Z8A0E2200



Ref.	Part Number	Part Description	Qty.
001	16500-ZL8-000	CONTROL ASSY.	001
002	16551-ZL8-000	ARM, GOVERNOR	001
002	16551-ZL8-010	ARM, GOVERNOR	001
003	16555-ZL8-000	ROD, GOVERNOR	001
004	16561-Z0J-000	SPRING, GOVERNOR	001
005	16562-ZL8-800	SPRING, THROTTLE RETURN	001
006	16571-ZL8-000	LEVER, CONTROL	001
007	16574-ZE1-000	SPRING, LEVER	001
008	16575-ZL8-000	WASHER, CONTROL LEVER	001
009	16578-ZE1-000	SPACER, CONTROL LEVER	001
010	16580-ZL8-000	BASE, CONTROL	001
011	16611-ZL8-000	ROD, CHOKE CONTROL	001
012	16613-893-000	GROMMET, CHOKE ROD	001
013	19612-Z0L-000	PLATE, SIDE	001
014	35120-ZL8-003	SWITCH ASSY., ENGINE STOP (N.O)	001
015	90013-883-000	BOLT, FLANGE (6X12) (CT200)	001
016	90014-952-000	BOLT, FLANGE (6X14) (CT200)	002
017	90015-ZE5-010	BOLT, GOVERNOR ARM	001
018	90114-SA0-000	NUT, SELF-LOCK (6MM)	001
019	93892-04012-00	SCREW-WASHER (4X12)	001
020	94050-06000	NUT, FLANGE (6MM)	001
021	94103-04000	WASHER, PLAIN (4MM)	001



Z8A0E2800C

Ref.	Part Number	Part Description	Qty.
002	87114-ZH7-821	LABEL, WARNING (NOT CERTIFIED FOR SALE)	(NOT CERTI... 001
005	87528-ZL8-000	MARK, CHOKE	001
008	87532-ZL8-800	MARK, THROTTLE INDICATION	001
009	87101-ZL8-020	EMBLEM (GC160)	001
010	87169-Z8A-000	MARK, RECOIL COVER	001