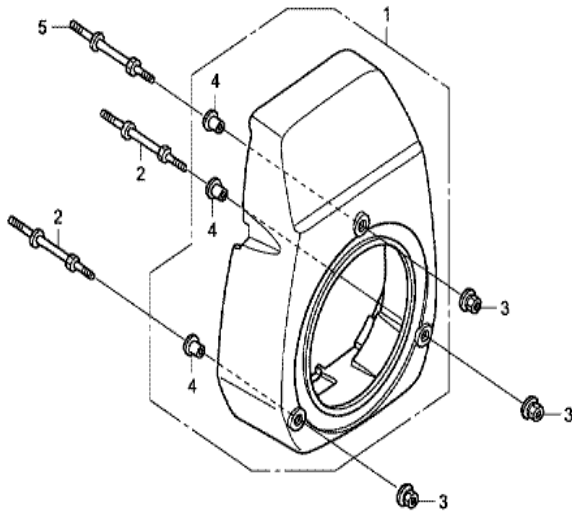


Z1A0-E1100

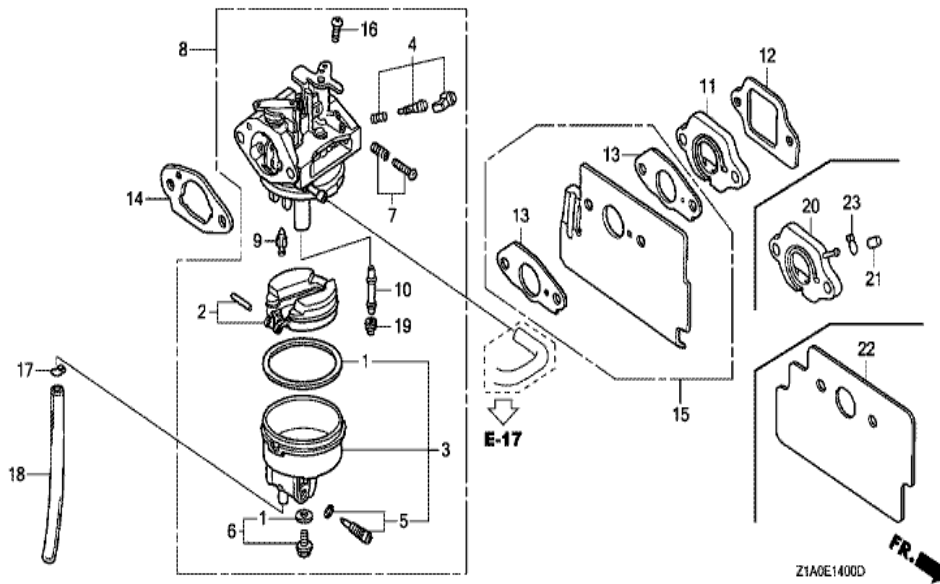


<u>Ref</u>	<u>Partnumber</u>	<u>Description</u>	<u>GC190A</u>	<u>Serial Numbers</u>
001	28400-Z1A-013ZA	STARTER ASSY., RECOIL *NH1 *	1	
001	28400-Z1A-013ZA	STARTER ASSY., RECOIL *NH1 *	1	
001	28400-Z1A-013ZB	STARTER ASSY., RECOIL *R280 *	1	
002	28461-ZL8-003	GRIP, STARTER	1	
003	28462-ZL8-003	ROPE, RECOIL STARTER	1	
003	28462-ZL8-003	ROPE, RECOIL STARTER	1	



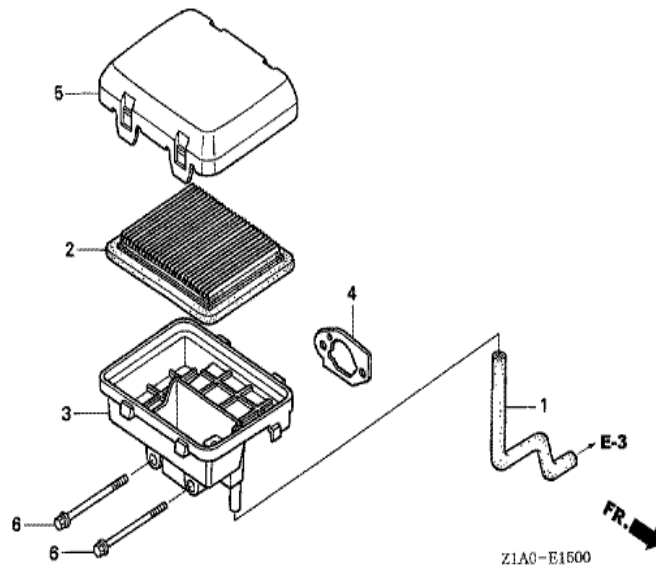
FR. →  
Z1ADE1200C

<u>Ref</u>	<u>Partnumber</u>	<u>Description</u>	<u>GC190A</u>	<u>Serial Numbers</u>
001	19611-Z1A-000ZA	COVER, FAN *NH1 *	1	
001	19611-Z1A-000ZA	COVER, FAN *NH1 *	1	1645723
001	19611-Z1A-000ZB	COVER, FAN *R280 *	1	1645723
001	19611-Z1A-000ZB	COVER, FAN *R280 *	1	1645723
001	19611-Z1A-900ZA	COVER, FAN *NH1*	1	1645724
001	19611-Z1A-900ZA	COVER, FAN *NH1*	1	1645724
001	19611-Z1A-900ZB	COVER, FAN *R280*	1	1645724
001	19611-Z1A-900ZB	COVER, FAN *R280*	1	1645724
002	90043-Z8B-000	BOLT, STUD (FAN COVER)	2	1973347
002	90043-ZL8-000	BOLT, STUD (H=42.5MM)	2	
002	90043-ZL8-000	BOLT, STUD (H=42.5MM)	2	1973346
003	90201-ZM0-000	NUT, FLANGE, 6MM	3	
004	19619-ZL8-300	COLLAR, FAN COVER	3	
<u>Ref</u>	<u>Partnumber</u>	<u>Description</u>	<u>GC190A</u>	<u>Serial Numbers</u>
005	90043-Z0J-900	BOLT, STUD (H=39.5MM)	1	1645724 1973346
005	90043-Z8B-900	BOLT, STUD (FAN COVER)	1	1973347
005	90043-ZL8-000	BOLT, STUD (H=42.5MM)	1	1645723
005	90043-ZL8-000	BOLT, STUD (H=42.5MM)	1	1645723

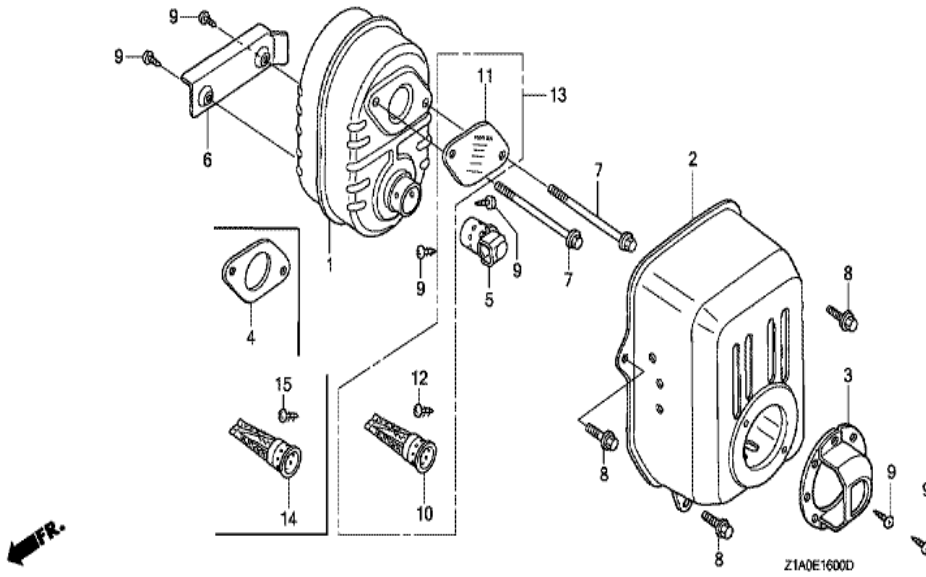


Ref	Partnumber	Description	GC190A	Serial Numbers
001	16010-883-015	PACKING SET	1	
002	16013-ZL1-003	FLOAT SET	1	
003	16015-ZL8-003	CHAMBER SET, FLOAT	1	
004	16016-Z1A-003	SCREW SET	1	
004	16016-Z1A-003	SCREW SET	1	BB61K A
005	16024-124-760	SCREW SET, DRAIN	1	
006	16028-ZE0-005	SCREW SET	1	
007	16029-ZG0-901	SCREW SET (THROTTLE STOP)	1	
008	16100-Z1A-003	CARBURETOR ASSY. (BB61E A)	1	1152105
008	16100-Z1A-013	CARBURETOR ASSY. (BB61E B)	1	1317375
008	16100-Z1A-013	CARBURETOR ASSY. (BB61E B)	1	1152106 1562252
008	16100-Z1A-801	CARBURETOR ASSY. (BB61K A)	1	1317376
008	16100-Z1A-801	CARBURETOR ASSY. (BB61K A)	1	1562253

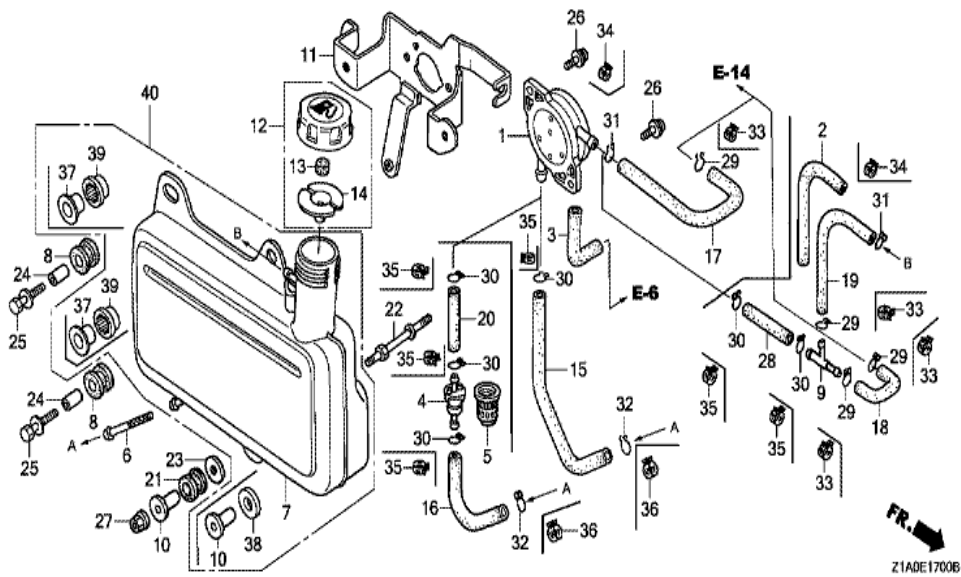
<u>Ref</u>	<u>Partnumber</u>	<u>Description</u>	<u>GC190A</u>	<u>Serial Numbers</u>
009	16155-ZL8-003	VALVE COMP., FLOAT	1	BB61E A
009	16155-ZL8-013	VALVE COMP., FLOAT	1	
009	16155-ZL8-013	VALVE COMP., FLOAT	1	BB61E B
010	16166-Z1A-003	NOZZLE, MAIN	1	
010	16166-Z1A-013	NOZZLE, MAIN	1	
011	16211-ZL8-000	INSULATOR, CARBURETOR	1	
012	16212-ZL8-000	PACKING, INSULATOR	1	
013	16221-883-800	PACKING, CARBURETOR	2	1645723
014	16228-ZL8-000	PACKING, CARBURETOR	1	
015	19650-ZL8-000	GUIDE COMP., AIR	1	1645723
016	93500-050061H	SCREW, PAN, 5X6	1	
017	95002-02650	CLIP, TUBE (B6.5)	1	
018	95003-0701531	TUBE, VINYL, 4X7X150 (95003-07001-60M)	1	
019	99101-1240620	JET, MAIN, #62	(1)	
019	99101-1240620	JET, MAIN, #62	(1)	
019	99101-1240650	JET, MAIN, #65	(1)	
019	99101-1240680	JET, MAIN, #68	1	
019	99101-1240680	JET, MAIN, #68	1	
022	19651-ZOJ-000	GUIDE, AIR	1	1645724



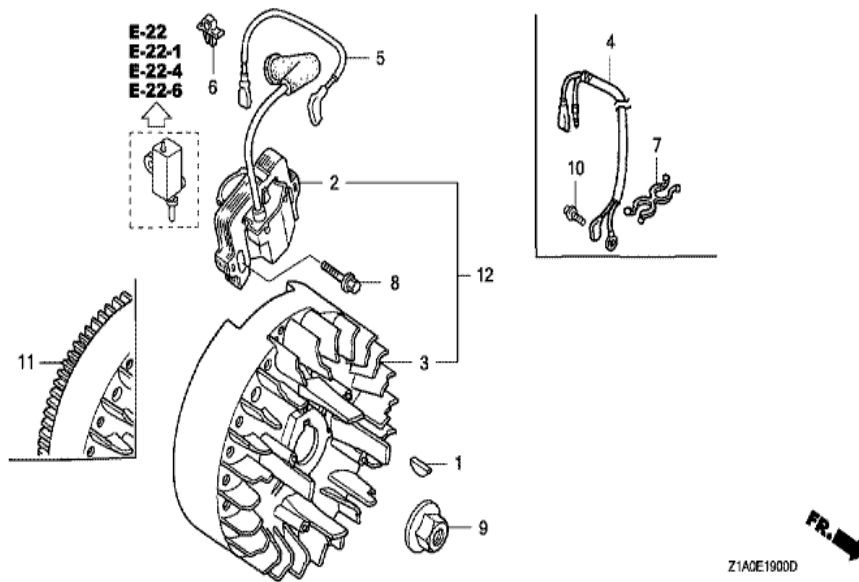
Ref	Partnumber	Description	GC190A	Serial Numbers
001	15721-ZL8-000	TUBE, BREATHER	1	
002	17211-ZL8-023	ELEMENT, AIR CLEANER (TOYO ROKI)	1	
002	17211-ZL8-023	ELEMENT, AIR CLEANER (TOYO ROKI)	1	
003	17220-ZL8-000	CASE COMP., AIR CLEANER	1	
003	17220-ZL8-000	CASE COMP., AIR CLEANER	1	1770480
003	17220-ZL8-010	CASE COMP., AIR CLEANER	1	1770481
003	17220-ZL8-010	CASE COMP., AIR CLEANER	1	1770481
004	17228-Z8A-000	PACKING, AIR CLEANER	1	2002417
004	17228-ZL8-000	PACKING, AIR CLEANER	1	2002416
005	17231-ZOJ-020	COVER, AIR CLEANER	1	1793768
005	17231-ZOJ-040	COVER, AIR CLEANER	1	1793769
006	90003-ZL8-000	BOLT, FLANGE, 6X112 (CT200)	2	



Ref	Partnumber	Description	GC190A	Serial Numbers
001	18310-ZL8-010	MUFFLER COMP.	1	
001	18310-ZL8-010	MUFFLER COMP.	1	
002	18321-Z0L-000	PROTECTOR, MUFFLER	1	
004	18381-ZL8-305	GASKET, MUFFLER	(1)	
006	19664-ZL8-000	SHROUD, MUFFLER	1	
007	90004-ZL8-000	BOLT, FLANGE, 6X79 (CT200)	2	
008	90013-883-000	BOLT, FLANGE, 6X12 (CT200)	3	
009	90055-ZE1-000	SCREW, TAPPING, 4X6	2	

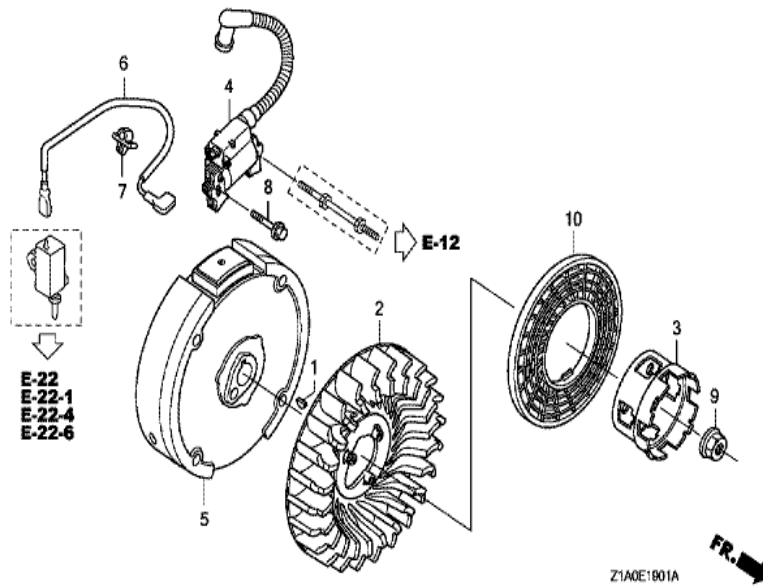


Ref	Partnumber	Description	GC190A	Serial Numbers
001	16700-ZOJ-003	PUMP ASSY., FUEL	1	
001	16700-ZOJ-003	PUMP ASSY., FUEL	1	
003	16882-ZL8-000	TUBE, DIAPHRAGM	1	
006	16952-ZA8-800	STRAINER, FUEL	1	
007	17511-ZOJ-810	TANK, FUEL	1	1562253
007	17511-ZL8-000	TANK, FUEL	1	
010	17535-166-000	COLLAR, FR. COVER SETTING	1	
011	17561-ZOJ-000	STAY A, FUEL TANK	1	
011	17561-ZOJ-000	STAY A, FUEL TANK	1	
012	17620-ZL8-013	CAP ASSY., FUEL TANK	1	
012	17620-ZL8-013	CAP ASSY., FUEL TANK	1	
013	17622-ZL8-003	SPONGE, FUEL CAP BREATHER	1	
013	17622-ZL8-003	SPONGE, FUEL CAP BREATHER	1	
Ref	Partnumber	Description	GC190A	Serial Numbers
014	17624-ZL8-003	PACKING, FUEL CAP	1	
014	17624-ZL8-003	PACKING, FUEL CAP	1	
015	17701-ZL8-000	TUBE, FUEL TANK	1	1412062
015	17701-ZL8-000	TUBE, FUEL TANK	1	
017	17702-ZL8-000	TUBE, FUEL	1	1412062
017	17702-ZL8-000	TUBE, FUEL	1	
022	90041-ZL8-000	BOLT, FUEL TANK STUD (H=30MM)	1	
023	90473-896-000	WASHER, 6MM	1	
025	93404-0602500	BOLT-WASHER, 6X25	2	
026	93894-0501400	SCREW-WASHER, 5X14	2	
027	94050-06000	NUT, FLANGE, 6MM	1	
029	95002-02080	CLIP, TUBE (B8)	1	
030	95002-02100	CLIP, TUBE (B10)	1	
031	95002-50000	CLIP, TUBE (C9)	1	
032	95002-70000	CLIP, TUBE (C11)	1	
040	06175-Z8A-800	TANK KIT, FUEL	1	

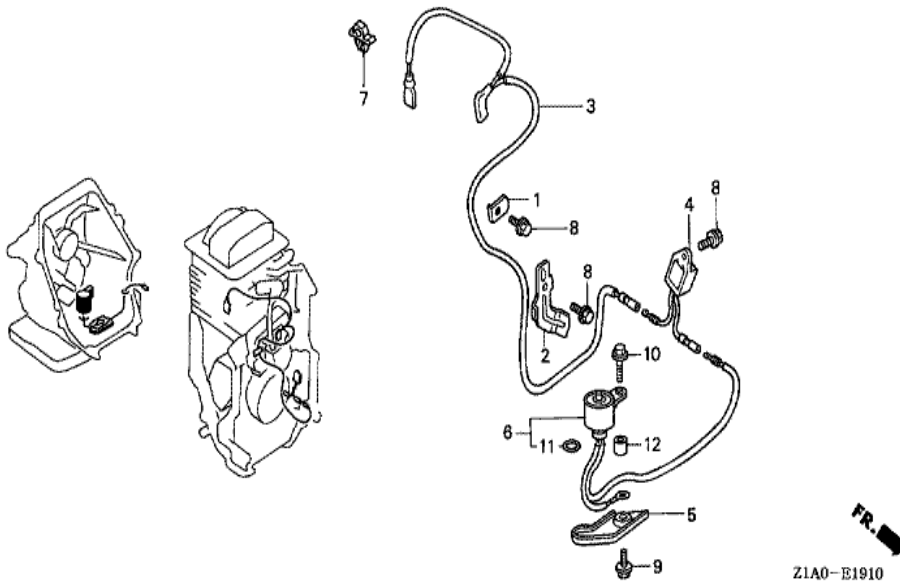


<u>Ref</u>	<u>Partnumber</u>	<u>Description</u>	<u>GC190A</u>	<u>Serial Numbers</u>
001	13331-357-000	KEY, SPECIAL WOODRUFF, 25X18	1	
001	13331-357-000	KEY, SPECIAL WOODRUFF, 25X18	1	1645723
002	30500-Z0J-003	COIL ASSY., IGNITION (PHELON) (USE FOR F	1	
002	30500-Z0J-003	COIL ASSY., IGNITION (PHELON) (USE FOR F	1	1645723
002	30500-ZL8-014	COIL ASSY., IGNITION (TEC) (USE FOR F/W	(1)	1645723
002	30500-ZL8-014	COIL ASSY., IGNITION (TEC) (USE FOR F/W	(1)	1645723
003	31110-Z0J-013	FLYWHEEL COMP. (PHELON) (USE FOR IGN. CO	1	
003	31110-Z0J-013	FLYWHEEL COMP. (PHELON) (USE FOR IGN. CO	1	
003	31110-Z0L-932	FLYWHEEL COMP. (TEC) (USE FOR IGN. COIL	(1)	1645723
003	31110-Z0L-932	FLYWHEEL COMP. (TEC) (USE FOR IGN. COIL	(1)	1645723
008	90022-888-010	BOLT, FLANGE, 6X20 (CT200)	1	
008	90022-888-010	BOLT, FLANGE, 6X20 (CT200)	1	1645723
009	90213-S3Y-000	NUT, FLANGE, 14MM	1	
<u>Ref</u>	<u>Partnumber</u>	<u>Description</u>	<u>GC190A</u>	<u>Serial Numbers</u>
009	90213-S3Y-000	NUT, FLANGE, 14MM	1	1645723
012	06311-Z0J-930	FLYWHEEL KIT (SEL)	(1)	1645723



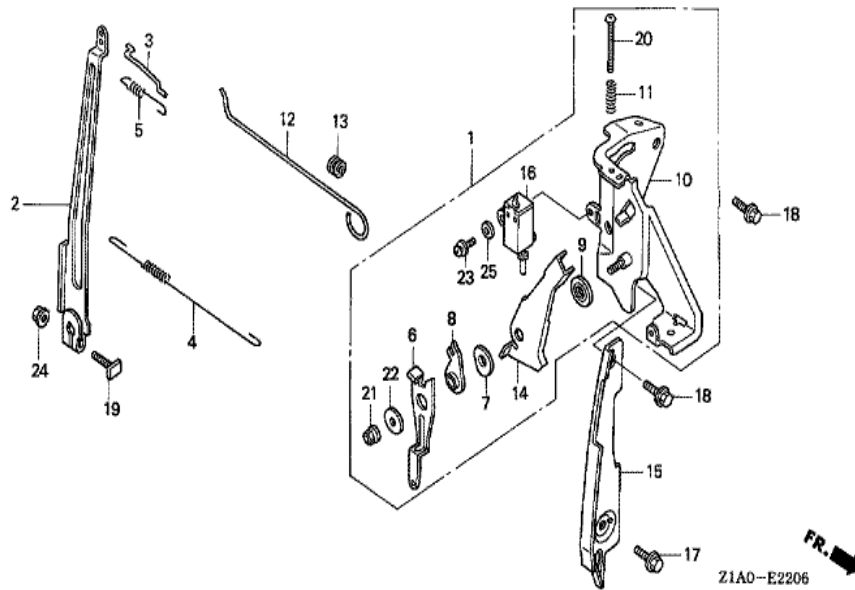


Ref	Partnumber	Description	GC190A	Serial Numbers
001	13331-357-000	KEY, SPECIAL WOODRUFF, 25X18	1	
001	13331-357-000	KEY, SPECIAL WOODRUFF, 25X18	1	1645724
002	19511-Z0J-900	FAN, COOLING	1	
002	19511-Z0J-900	FAN, COOLING	1	1645724
003	28451-Z0J-900	PULLEY, STARTER	1	
003	28451-Z0J-900	PULLEY, STARTER	1	1645724
004	30500-Z0J-004	COIL ASSY., IGNITION (TOYO)	1	
004	30500-Z0J-004	COIL ASSY., IGNITION (TOYO)	1	1645724
005	31110-Z0J-004	FLYWHEEL COMP.	1	
005	31110-Z0J-004	FLYWHEEL COMP.	1	1645724
009	90201-Z0T-800	NUT, SPECIAL, 14MM	1	
009	90201-Z0T-800	NUT, SPECIAL, 14MM	1	1645724

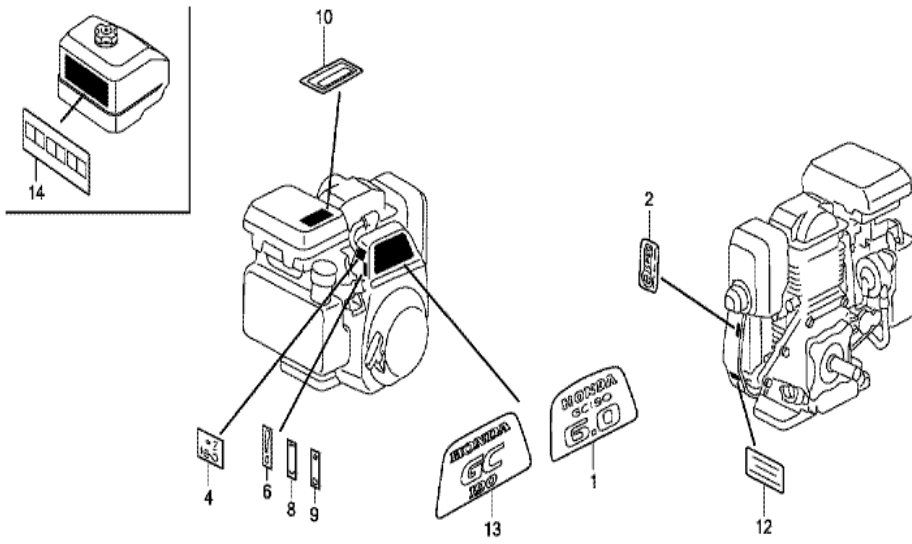


Z1A0-E1910

Ref	Partnumber	Description	GC190A	Serial Numbers
001	30548-ZL8-000	CLAMPER, STOP SWITCH CORD	1	
002	30549-ZL8-000	CLAMPER, CORD	1	
003	32195-Z0J-810	CORD, STOP SWITCH	1	
004	34150-ZL8-003	ALERT UNIT, OIL	1	
005	35419-ZL8-000	PROTECTOR, SWITCH	1	
006	35480-ZL8-811	SWITCH COMP., OIL LEVEL	1	
007	36103-ZE1-000	HOLDER, STOP SWITCH CORD	1	
008	90013-883-000	BOLT, FLANGE, 6X12 (CT200)	3	
009	90014-952-000	BOLT, FLANGE, 6X14 (CT200)	1	
010	90015-883-000	BOLT, FLANGE, 6X28 (CT200)	1	
011	91302-ZL8-003	O-RING, 11.8X2.4	1	
012	91501-ZL8-000	COLLAR, 6.6X13.8X14.5	1	

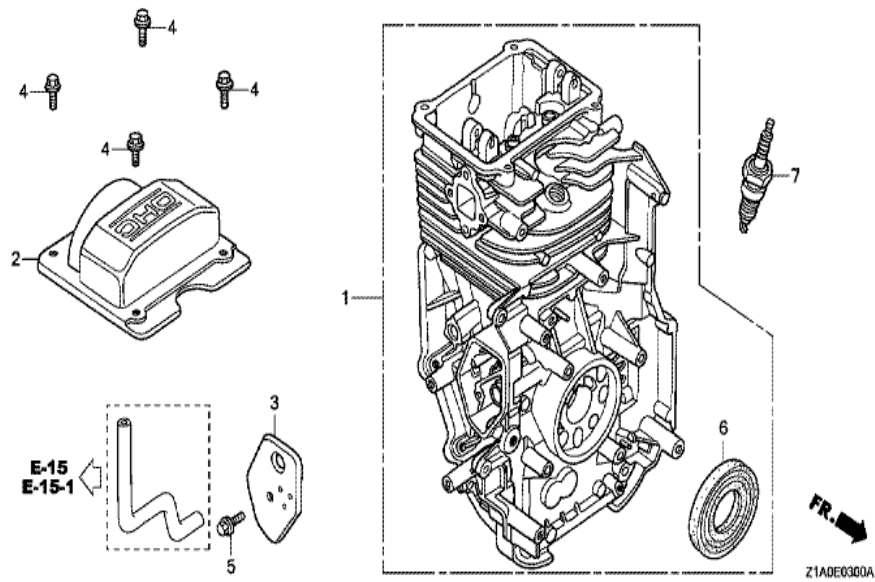


<u>Ref</u>	<u>Partnumber</u>	<u>Description</u>	<u>GC190A</u>	<u>Serial Numbers</u>
001	16500-ZL8-850	CONTROL ASSY.	1	
002	16551-ZL8-010	ARM, GOVERNOR	1	
003	16555-ZL8-000	ROD, GOVERNOR	1	
004	16561-ZL8-800	SPRING, GOVERNOR	1	
005	16562-ZL8-800	SPRING, THROTTLE RETURN	1	
006	16571-ZL8-850	LEVER, CONTROL	1	
007	16574-ZE1-000	SPRING, LEVER	1	
008	16575-ZL8-000	WASHER, CONTROL LEVER (###)	1	
009	16578-ZE1-000	SPACER, CONTROL LEVER	1	
010	16580-ZL8-000	BASE COMP., CONTROL (###)	1	
011	16584-883-300	SPRING, CONTROL ADJUSTING	1	
012	16611-ZL8-000	ROD, CHOKE CONTROL	1	
013	16613-893-000	GROMMET, CHOKE ROD	1	
<u>Ref</u>	<u>Partnumber</u>	<u>Description</u>	<u>GC190A</u>	<u>Serial Numbers</u>
014	16631-ZL8-850	LEVER, STOP (###)	1	
015	19612-Z0L-000	PLATE, SIDE	1	
015	19612-Z0L-000	PLATE, SIDE	1	
016	35120-ZL8-003	SWITCH ASSY., ENGINE STOP (N.O)	1	
017	90013-883-000	BOLT, FLANGE, 6X12 (CT200)	1	
018	90014-952-000	BOLT, FLANGE, 6X14 (CT200)	2	
019	90015-ZE5-010	BOLT, GOVERNOR ARM	1	
020	90031-ZL8-850	SCREW, ADJUST	1	
021	90114-SA0-000	NUT, SELF-LOCK, 6MM	1	
022	90563-355-000	WASHER, WHEEL, 6MM	1	
023	93892-0401200	SCREW-WASHER, 4X12	1	
024	94050-06000	NUT, FLANGE, 6MM	1	
025	94103-04000	WASHER, PLAIN, 4MM	1	

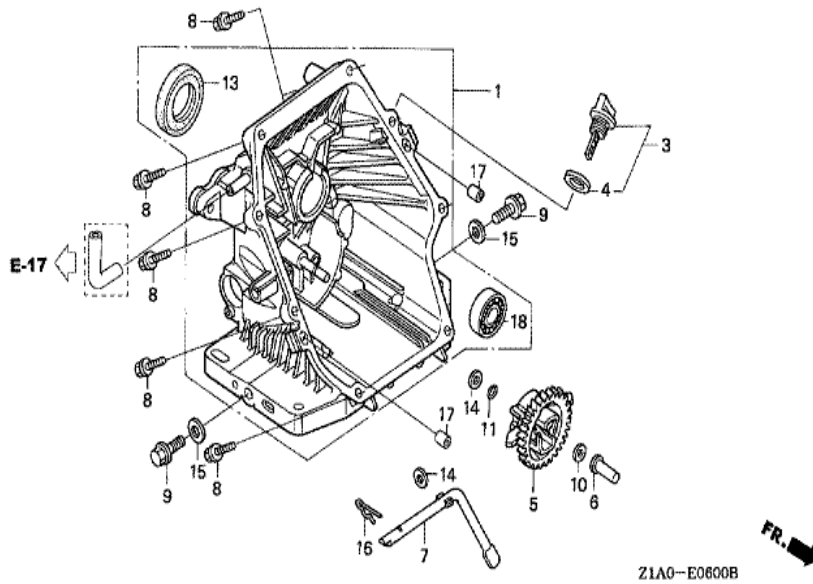


Z1AE2800G

Ref	Partnumber	Description	GC190A	Serial Numbers
001	87101-Z1A-000	MARK, EMBLEM (GC190 6.0)	1	
004	87528-ZL8-000	MARK, CHOKE	1	
009	87501-ZL8-800	MARK, ENGINE SWITCH INDICATION (EN)	1	
012	87114-ZH7-840	LABEL, WARNING (NOT CERTIFIED FOR SALE)	1	1479093
012	87114-ZH7-840	LABEL, WARNING (NOT CERTIFIED FOR SALE)	1	1479093

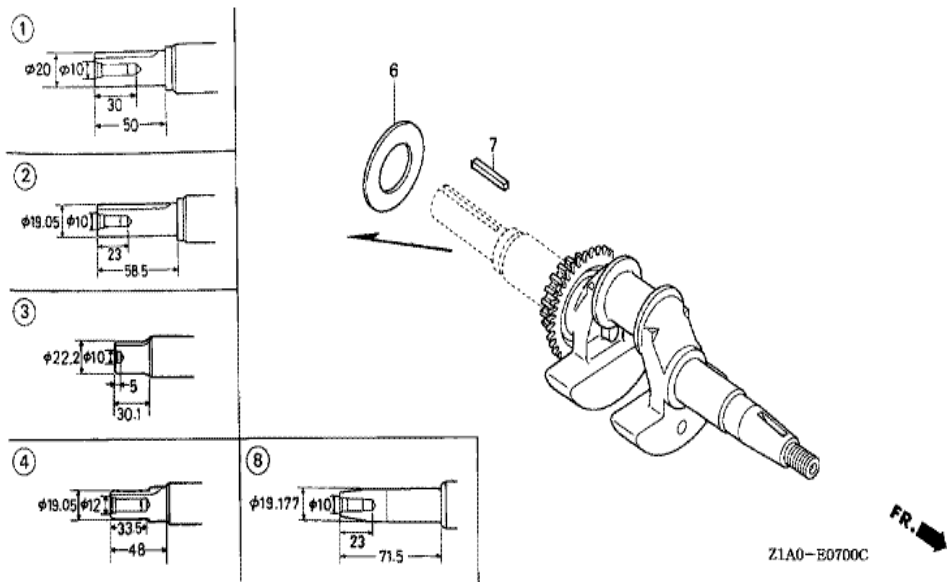


Ref	Partnumber	Description	GC190A	Serial Numbers
001	12000-Z1A-405	BARREL ASSY., CYLINDER	1	
001	12000-Z1A-405	BARREL ASSY., CYLINDER	1	
002	12311-ZL8-D00	COVER, HEAD	1	
002	12311-ZL8-D00	COVER, HEAD	1	
003	12355-ZL8-000	COVER COMP., BREATHER	1	
004	90013-883-000	BOLT, FLANGE, 6X12 (CT200)	4	
005	90014-952-000	BOLT, FLANGE, 6X14 (CT200)	1	
006	91201-ZL8-003	OIL SEAL, 25.4X62X6	1	
007	98079-56846	PLUG, SPARK (BPR6ES) (NGK)	1	

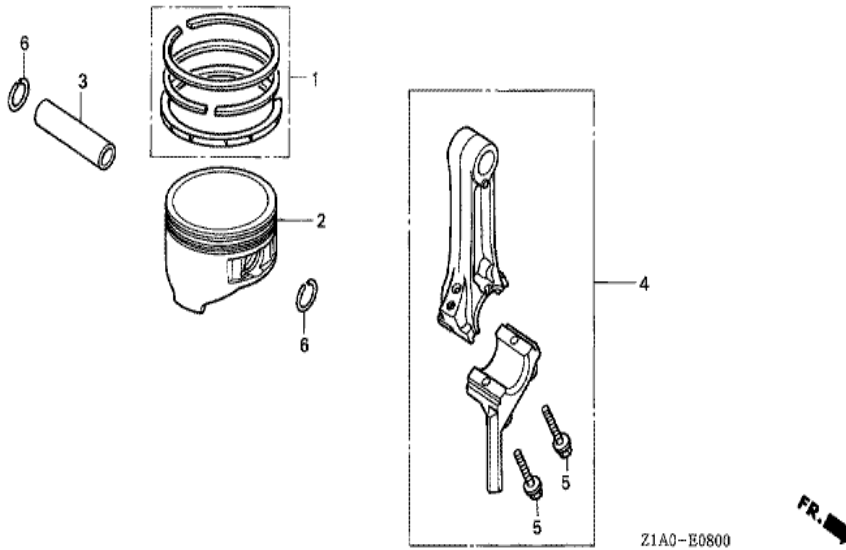


Z1A0-E0600B

<u>Ref</u>	<u>Partnumber</u>	<u>Description</u>	<u>GC190A</u>	<u>Serial Numbers</u>
001	11300-Z2A-406	COVER ASSY., CRANKCASE	1	
001	11300-Z2A-406	COVER ASSY., CRANKCASE	1	
003	15600-ZF0-003	CAP ASSY., OIL FILLER	1	
004	15625-ZE1-003	PACKING, OIL FILLER CAP	1	
005	16510-ZL8-000	GOVERNOR ASSY.	1	
006	16531-ZE1-000	SLIDER, GOVERNOR	1	
007	16541-Z8A-000	SHAFT, GOVERNOR ARM	1	1863709
007	16541-ZL8-000	SHAFT, GOVERNOR ARM	1	1863708
008	90121-952-000	BOLT, FLANGE, 6X25 (CT200)	8	
009	90131-883-000	BOLT, DRAIN PLUG, 12X15	2	
010	90451-ZE1-000	WASHER, THRUST, 6MM	1	
011	90602-ZE1-000	CLIP, GOVERNOR HOLDER	1	
013	91202-ZL8-003	OIL SEAL, 28X41.25X6	1	
<u>Ref</u>	<u>Partnumber</u>	<u>Description</u>	<u>GC190A</u>	<u>Serial Numbers</u>
014	94101-06800	WASHER, PLAIN, 6MM	2	
015	94109-12000	WASHER, DRAIN PLUG, 12MM	2	
016	94251-08000	PIN, LOCK, 8MM	1	
017	94301-08200	DOWEL PIN, 8X20	2	
018	91001-ZL8-003	BEARING, RADIAL BALL, 62/28	1	



Ref	Partnumber	Description	GC190A	Serial Numbers
006	90402-ZL8-000	WASHER, THRUST	1	
008	13310-Z1A-670	CRANKSHAFT COMP.	1	

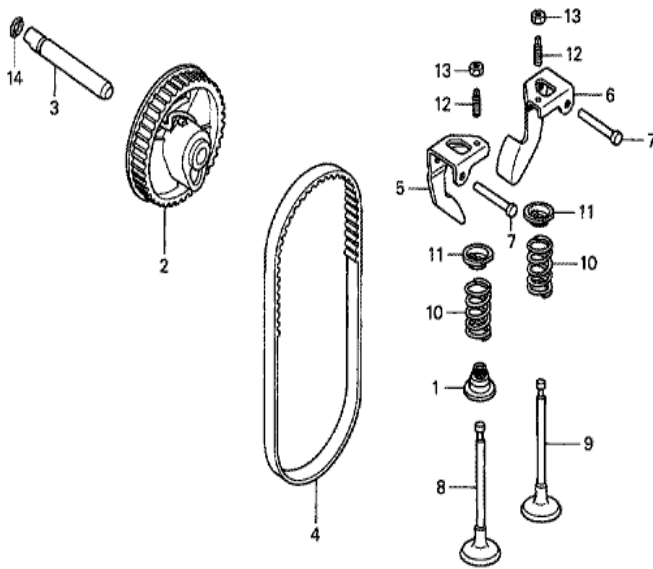


Z1A0-E0800



Ref	Partnumber	Description	GC190A	Serial Numbers
001	13010-ZOY-004	RING SET, PISTON (STD.) (TEIKOKU)	1	
001	13010-ZOY-004	RING SET, PISTON (STD.) (TEIKOKU)	1	1562252
001	13010-ZOY-014	RING SET, PISTON (STD.) (TEIKOKU)	1	
001	13010-ZOY-014	RING SET, PISTON (STD.) (TEIKOKU)	1	1562253
002	13101-ZOY-000	PISTON	1	
002	13101-ZOY-000	PISTON	1	1562252
002	13101-ZOY-010	PISTON	1	1562253 1645723
002	13101-ZOY-010	PISTON	1	1562253
003	13111-ZOY-000	PIN, PISTON	1	
004	13200-ZOY-000	ROD ASSY., CONNECTING	1	
005	90001-ZE1-000	BOLT, CONNECTING ROD	2	
006	90551-ZE0-000	CLIP, PISTON PIN, 13MM	2	





Z1A0-E0900

<u>Ref</u>	<u>Partnumber</u>	<u>Description</u>	<u>GC190A</u>	<u>Serial Numbers</u>
001	12209-ZM0-003	SEAL, VALVE STEM	1	
002	14320-ZOY-000	PULLEY COMP., CAMSHAFT	1	
003	14324-ZL8-000	SHAFT, CAM PULLEY	1	
004	14400-ZOJ-014	BELT, TIMING (84HU7 G-200)	1	
005	14431-ZOJ-000	ARM, IN. VALVE ROCKER	1	
005	14431-ZOJ-000	ARM, IN. VALVE ROCKER	1	
006	14441-ZOJ-000	ARM, EX. VALVE ROCKER	1	
006	14441-ZOJ-000	ARM, EX. VALVE ROCKER	1	
007	14461-ZL8-000	SHAFT, ROCKER ARM	2	
008	14711-ZL8-000	VALVE, IN. (TECHNOSTAR)	1	
008	14711-ZL8-000	VALVE, IN. (TECHNOSTAR)	1	
009	14721-Z8B-000	VALVE, EX. (C8E)	1	
009	14721-ZL8-000	VALVE, EX. (L8E)	1	
<u>Ref</u>	<u>Partnumber</u>	<u>Description</u>	<u>GC190A</u>	<u>Serial Numbers</u>
010	14751-ZL8-000	SPRING, VALVE	2	
011	14771-ZOJ-000	RETAINER, VALVE SPRING	2	
011	14771-ZOJ-000	RETAINER, VALVE SPRING	2	
012	90012-333-000	SCREW, TAPPET ADJUSTING	2	
013	90206-001-000	NUT, TAPPET ADJUSTING	2	
014	91301-ZM0-V31	O-RING, 6.8X1.9 (ARAI)	1	