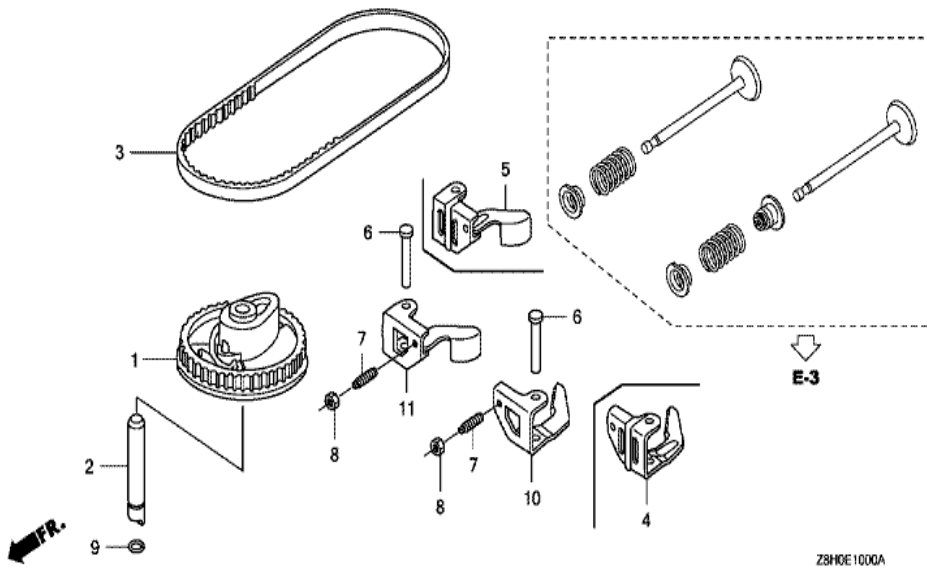
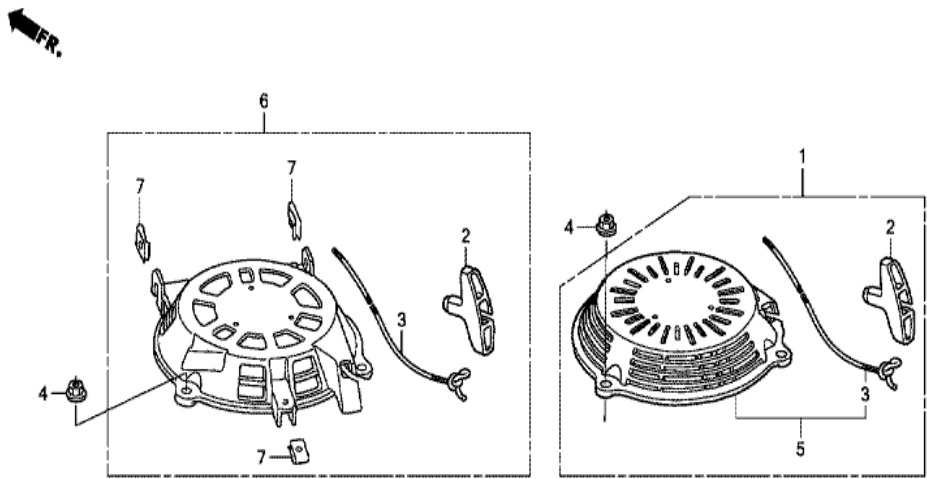


GCV135(A2R)	E-10 CAMSHAFT PULLEY
-------------	----------------------



Ref	Partnumber	Description	GCV135	Serial Numbers
001	14320-ZL8-000	PULLEY COMP., CAMSHAFT	1	
002	14324-ZL8-000	SHAFT, CAM PULLEY	1	
003	14400-ZL9-013	BELT, TIMING (79HU7 G-200)	1	
006	14461-ZL8-000	SHAFT, ROCKER ARM	2	
007	90012-333-000	SCREW, TAPPET ADJUSTING	2	
008	90206-001-000	NUT, TAPPET ADJUSTING	2	
009	91301-ZM0-V31	O-RING, 6.8X1.9 (ARAI)	1	
009	91301-ZM0-V31	O-RING, 6.8X1.9 (ARAI)	1	
010	14431-ZL8-000	ARM, IN. VALVE ROCKER	1	
011	14441-ZL8-000	ARM, EX. VALVE ROCKER	1	

GCV135(A2R)	E-11 RECOIL STARTER
-------------	---------------------

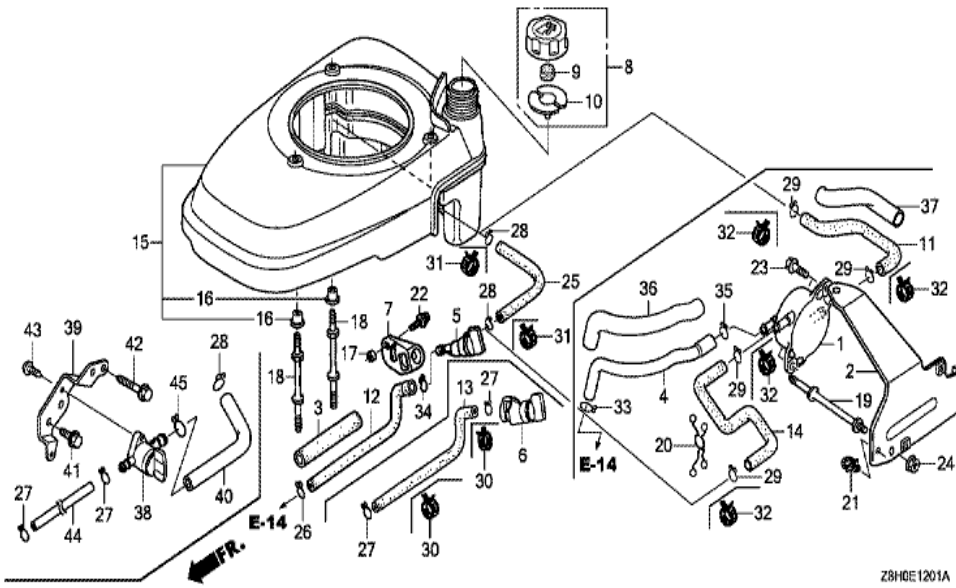


ZBH0E1100A

Ref	Partnumber	Description	GCV135	Serial Numbers
001	28400-ZL8-013ZA	STARTER ASSY., RECOIL *NH1 *	1	1614892
001	28400-ZL8-013ZB	STARTER ASSY., RECOIL *R8 *	1	
001	28400-ZL8-013ZB	STARTER ASSY., RECOIL *R8 *	1	
001	28400-ZM0-013ZA	STARTER ASSY., RECOIL *NH1 *	1	1126302
001	28400-ZM0-013ZA	STARTER ASSY., RECOIL *NH1 *	1	1614891
002	28461-ZL8-003	GRIP, STARTER	1	
003	28462-ZL8-003	ROPE, RECOIL STARTER	1	
004	90201-ZM0-000	NUT, FLANGE, 6MM	3	

GCV135(A2R)

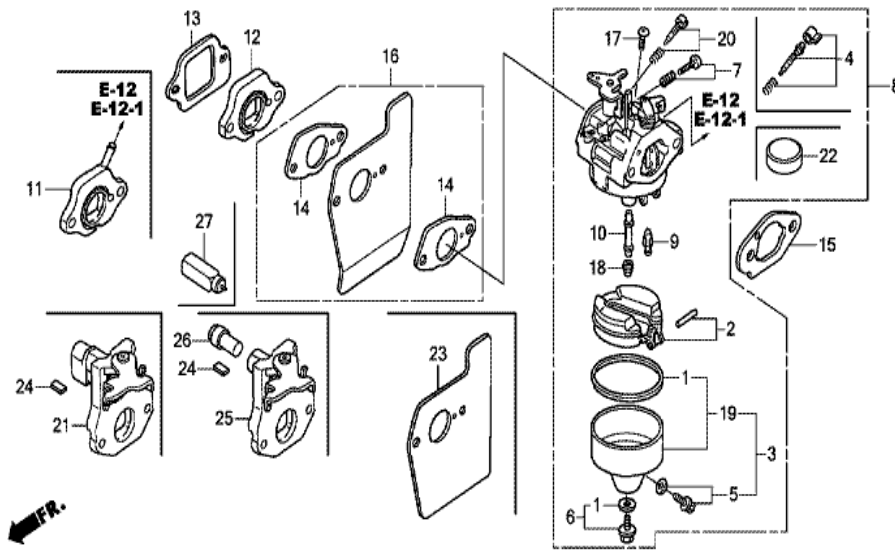
E-12-1 FAN COVER (GCV135/A/E)



Ref	Partnumber	Description	GCV135	Serial Numbers
003	16854-ZH8-000	RUBBER, SUPPORTER (107MM)	1	
005	16950-ZG9-M03	COCK ASSY., FUEL	1	
005	16950-ZG9-M03	COCK ASSY., FUEL	1	1623712
006	16950-ZM0-003	COCK ASSY., FUEL	1	4183921
006	16950-ZM0-003	COCK ASSY., FUEL	1	1623713
007	16956-ZM0-000	BRACKET, FUEL COCK	1	1623712
007	16956-ZM0-000	BRACKET, FUEL COCK	1	1623712
008	17620-ZL8-003	CAP ASSY., FUEL TANK	1	1622109
008	17620-ZL8-003	CAP ASSY., FUEL TANK	1	1622109
008	17620-ZL8-013	CAP ASSY., FUEL TANK	1	1622110
008	17620-ZL8-013	CAP ASSY., FUEL TANK	1	1622110
009	17622-ZL8-003	SPONGE, FUEL CAP BREATHER	1	
009	17622-ZL8-003	SPONGE, FUEL CAP BREATHER	1	

<u>Ref</u>	<u>Partnumber</u>	<u>Description</u>	<u>GCV135</u>	<u>Serial Numbers</u>
010	17624-ZL8-003	PACKING, FUEL CAP	1	
010	17624-ZL8-003	PACKING, FUEL CAP	1	
012	17702-ZM0-000	TUBE, FUEL	1	
012	17702-ZM0-000	TUBE, FUEL	1	1623712
013	17702-ZM0-800	TUBE, FUEL	1	1694819
013	17702-ZM0-800	TUBE, FUEL	1	4183921
013	17702-ZM0-800	TUBE, FUEL	1	1623713
015	19610-ZM1-010ZA	COVER COMP., FAN *NH1 *	1	1187906
015	19610-ZM1-010ZA	COVER COMP., FAN *NH1 *	1	
016	19619-ZL8-300	COLLAR, FAN COVER	3	
017	33609-GK4-620	COLLAR, FR. WINKER	1	
018	90041-ZL9-000	BOLT, STUD (H=35.5MM)	3	
018	90041-ZL9-000	BOLT, STUD (H=35.5MM)	3	
022	93891-0501008	SCREW-WASHER, 5X10	1	
025	95001-5513540	TUBE, FUEL, 5.3X135 (95001-55001-60M)	1	
025	95001-5513540	TUBE, FUEL, 5.3X135 (95001-55001-60M)	1	
026	95002-02080	CLIP, TUBE (B8)	1	
026	95002-02080	CLIP, TUBE (B8)	1	1623712
027	95002-02080	CLIP, TUBE (B8)	2	
027	95002-02080	CLIP, TUBE (B8)	2	1623713
028	95002-02100	CLIP, TUBE (B10)	1	
028	95002-02100	CLIP, TUBE (B10)	2	
034	95002-50000	CLIP, TUBE (C9)	1	
034	95002-50000	CLIP, TUBE (C9)	1	1623712

GCV135(A2R)	E-14 CARBURETOR
-------------	-----------------

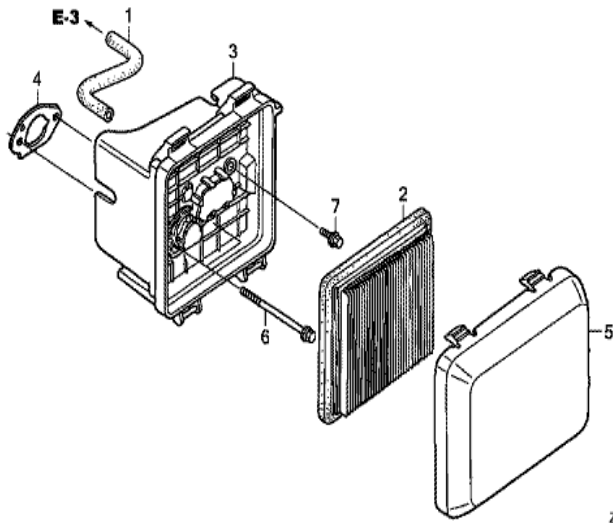


Z8H0E1400E

Ref	Partnumber	Description	GCV135	Serial Numbers
001	16010-883-015	PACKING SET	1	
002	16013-ZL1-003	FLOAT SET	1	
003	16015-887-782	CHAMBER SET, FLOAT	1	
004	16016-ZG0-W00	SCREW SET	1	BB64B C
004	16016-ZG0-W00	SCREW SET	1	
005	16024-ZE1-811	SCREW SET, DRAIN	1	
006	16028-ZE0-005	SCREW SET	1	
007	16029-ZG0-901	SCREW SET (THROTTLE STOP)	1	
008	16100-ZM1-803	CARBURETOR ASSY. (BB64B C)	1	1361491
008	16100-ZM1-803	CARBURETOR ASSY. (BB64B C)	1	1580464
008	16100-ZM1-803	CARBURETOR ASSY. (BB64B C)	1	1580464
008	16100-ZM1-822	CARBURETOR ASSY. (BB64F A)	1	1623460
008	16100-ZM1-822	CARBURETOR ASSY. (BB64F A)	1	

<u>Ref</u>	<u>Partnumber</u>	<u>Description</u>	<u>GCV135</u>	<u>Serial Numbers</u>
008	16100-ZM1-822	CARBURETOR ASSY. (BB64F A)	1	1580465
009	16155-ZM0-003	VALVE, FLOAT	1	
010	16166-ZM1-003	NOZZLE, MAIN	1	
010	16166-ZM1-003	NOZZLE, MAIN	1	
010	16166-ZM1-003	NOZZLE, MAIN	1	
012	16211-ZL8-000	INSULATOR, CARBURETOR	1	
013	16212-ZL8-000	PACKING, INSULATOR	1	
014	16221-883-800	PACKING, CARBURETOR	2	
015	16228-ZL8-000	PACKING, CARBURETOR	1	
015	16228-ZL8-000	PACKING, CARBURETOR	1	
016	19650-ZM0-000	GUIDE COMP., AIR	1	
017	93500-050061H	SCREW, PAN, 5X6	1	
018	99101-1240550	JET, MAIN, #55	(1)	
018	99101-1240550	JET, MAIN, #55	(1)	BB64B C
018	99101-1240580	JET, MAIN, #58	(1)	
018	99101-1240580	JET, MAIN, #58	(1)	
018	99101-1240600	JET, MAIN, #60	1	BB64B C
018	99101-1240600	JET, MAIN, #60	(1)	BB64F A
018	99101-1240600	JET, MAIN, #60	1	BB64B C
018	99101-1240600	JET, MAIN, #60	(1)	BB64F A
018	99101-1240620	JET, MAIN, #62	1	BB64F A
018	99101-1240620	JET, MAIN, #62	1	BB64F A

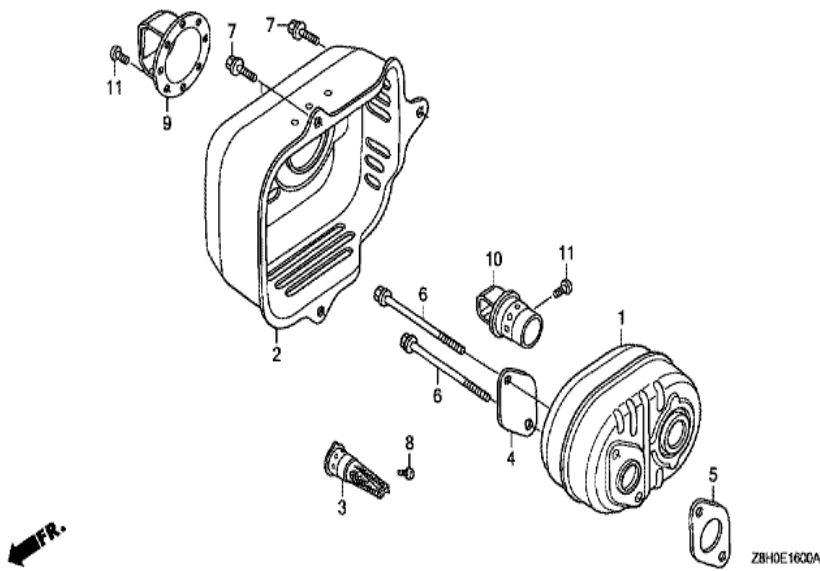
GCV135(A2R)	E-15 AIR CLEANER
-------------	------------------



<u>Ref</u>	<u>Partnumber</u>	<u>Description</u>	<u>GCV135</u>	<u>Serial Numbers</u>
001	15721-ZM1-000	TUBE, BREATHER	1	
001	15721-ZM1-000	TUBE, BREATHER	1	
002	17211-ZL8-000	ELEMENT, AIR CLEANER	1	1622339
002	17211-ZL8-000	ELEMENT, AIR CLEANER	1	1622339
002	17211-ZL8-003	ELEMENT, AIR CLEANER	1	
002	17211-ZL8-003	ELEMENT, AIR CLEANER	1	
002	17211-ZL8-003	ELEMENT, AIR CLEANER	1	1622340
003	17220-ZM0-000	CASE ASSY., AIR CLEANER	1	
004	17228-ZM0-000	PACKING, AIR CLEANER	1	
005	17231-ZM0-000	COVER, AIR CLEANER	1	1623839
005	17231-ZM0-000	COVER, AIR CLEANER	1	1623839
005	17231-ZM0-010	COVER, AIR CLEANER	1	1623840 1623932
005	17231-ZM0-010	COVER, AIR CLEANER	1	1623840 1623932
<u>Ref</u>	<u>Partnumber</u>	<u>Description</u>	<u>GCV135</u>	<u>Serial Numbers</u>
005	17231-ZM0-020	COVER, AIR CLEANER	1	1623933
005	17231-ZM0-020	COVER, AIR CLEANER	1	1623933
006	90003-ZM0-000	BOLT, FLANGE, 6X86 (CT200)	2	
006	90003-ZM0-000	BOLT, FLANGE, 6X86 (CT200)	2	
007	95701-0601408	BOLT, FLANGE, 6X14	1	

GCV135(A2R)

E-16 MUFFLER

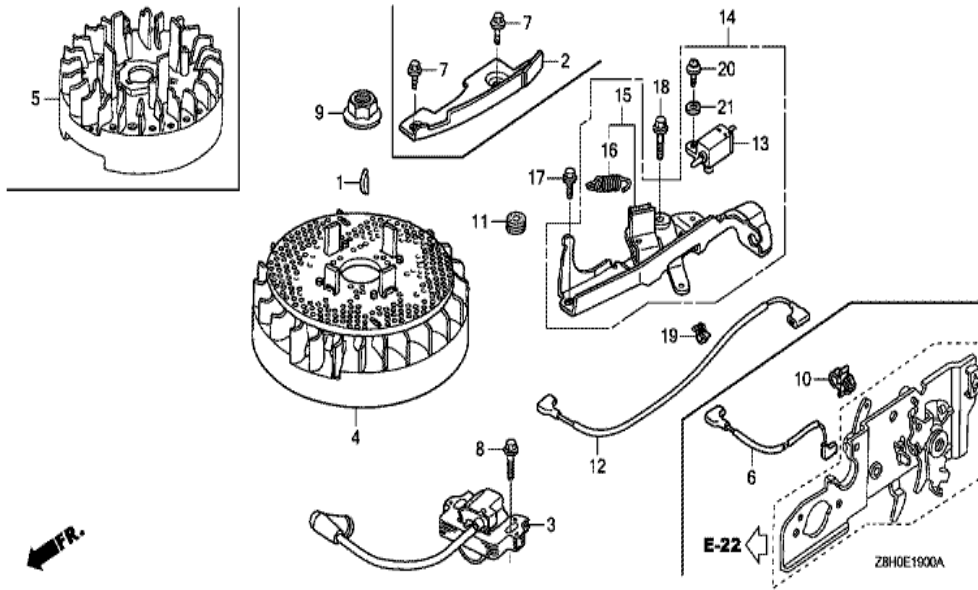


Ref	Partnumber	Description	GCV135	Serial Numbers
001	18310-ZM0-000	MUFFLER COMP.	1	
002	18321-ZL8-000	PROTECTOR, MUFFLER	1	3176270
002	18321-ZL8-000	PROTECTOR, MUFFLER	1	
003	18350-ZL8-000	ARRESTER COMP., SPARK	1	
003	18350-ZL8-000	ARRESTER COMP., SPARK	(1)	
004	18356-ZL8-000	PLATE, ARRESTER NUMBER	(1)	
005	18381-ZL8-305	GASKET, MUFFLER	(1)	
006	90004-ZL8-000	BOLT, FLANGE, 6X79 (CT200)	2	
006	90004-ZL8-000	BOLT, FLANGE, 6X79 (CT200)	2	
007	90013-883-000	BOLT, FLANGE, 6X12 (CT200)	3	
008	90055-ZE1-000	SCREW, TAPPING, 4X6	1	
008	90055-ZE1-000	SCREW, TAPPING, 4X6	(1)	



GCV135(A2R)

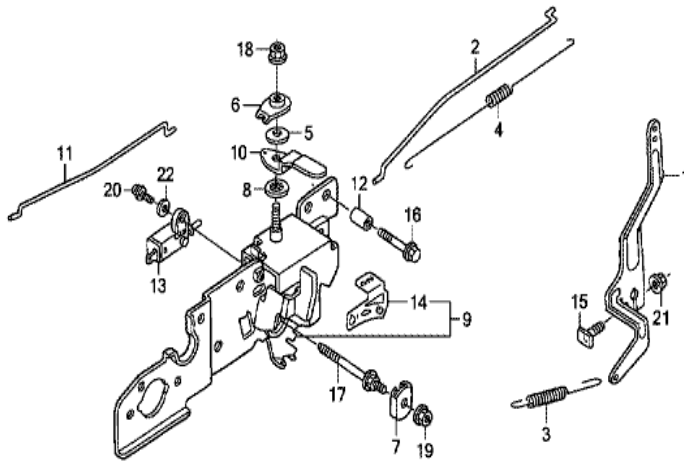
E-19 FLYWHEEL



<u>Ref</u>	<u>Partnumber</u>	<u>Description</u>	<u>GCV135</u>	<u>Serial Numbers</u>
001	13331-357-000	KEY, SPECIAL WOODRUFF, 25X18	1	
002	19612-ZM0-000	PLATE, SIDE	1	1623727
002	19612-ZM0-000	PLATE, SIDE	1	1623727
002	19612-ZM0-J20	PLATE, SIDE	1	
002	19612-ZM0-J20	PLATE, SIDE	1	1623728
003	30500-ZL8-004	COIL ASSY., IGNITION (TEC) (USE FOR F/W	1	
005	31110-ZL9-003	FLYWHEEL COMP. (TEC) (USE FOR IGN. COIL	1	
005	31110-ZL9-003	FLYWHEEL COMP. (TEC) (USE FOR IGN. COIL	1	
007	90013-883-000	BOLT, FLANGE, 6X12 (CT200)	2	
008	90022-888-010	BOLT, FLANGE, 6X20 (CT200)	1	
008	90022-888-010	BOLT, FLANGE, 6X20 (CT200)	1	
009	90201-878-003	NUT, SPECIAL, 14MM	1	
012	32195-ZM0-800	CORD, STOP SWITCH	1	
<u>Ref</u>	<u>Partnumber</u>	<u>Description</u>	<u>GCV135</u>	<u>Serial Numbers</u>
012	32195-ZM0-800	CORD, STOP SWITCH	1	
019	90681-959-003	CLIP A, CABLE (NIFCO) (3.8MM BLACK)	1	

GCV135(A2R)

E-22-1 CONTROL (2)

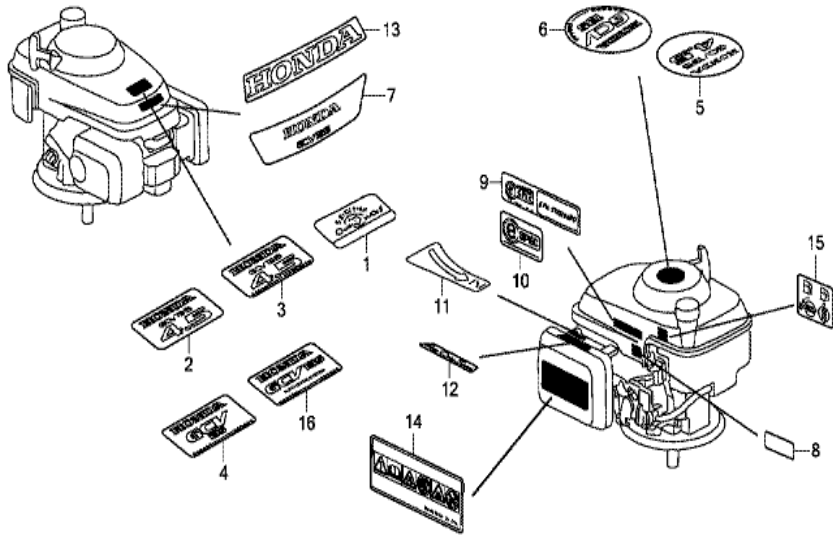


Z8H0E2201

Ref	Partnumber	Description	GCV135	Serial Numbers
001	16551-ZM0-000	ARM, GOVERNOR	1	1623459
001	16551-ZM0-010	ARM, GOVERNOR	1	
001	16551-ZM0-010	ARM, GOVERNOR	1	1623460
002	16555-ZM1-000	ROD, GOVERNOR	1	
003	16561-ZM1-V30	SPRING, GOVERNOR	1	
004	16562-ZM1-000	SPRING, THROTTLE RETURN	1	
005	16574-ZE1-000	SPRING, LEVER	1	
006	16575-ZE2-W00	WASHER, CONTROL LEVER	1	
007	16577-ZM0-V30	PLATE, LEVER CENTER	1	
008	16578-ZE1-000	SPACER, CONTROL LEVER	1	
009	16580-ZM0-V30	BASE COMP., CONTROL (###)	1	
010	16612-ZM0-V30	LEVER, CHOKE (###)	1	
011	16674-ZM0-V30	ROD, CHOKE	1	
Ref	Partnumber	Description	GCV135	Serial Numbers
012	17272-ZC3-300	COLLAR, IN. JOINT	1	
013	35120-ZL8-003	SWITCH ASSY., ENGINE STOP (N.O)	1	
014	87532-ZM0-V30	MARK, THROTTLE INDICATION	1	
015	90015-ZE5-010	BOLT, GOVERNOR ARM	1	
016	90016-ZE8-000	BOLT, FLANGE, 6X45 (CT200)	1	
017	90016-ZM0-V30	BOLT, SPECIAL, 6X45	1	
018	90114-SA0-000	NUT, SELF-LOCK, 6MM	1	
019	90136-SM4-901	NUT, SELF-LOCK, 5MM	1	
020	93892-0401200	SCREW-WASHER, 4X12	1	
021	94050-06000	NUT, FLANGE, 6MM	1	
022	94103-04000	WASHER, PLAIN, 4MM	1	

GCV135(A2R)

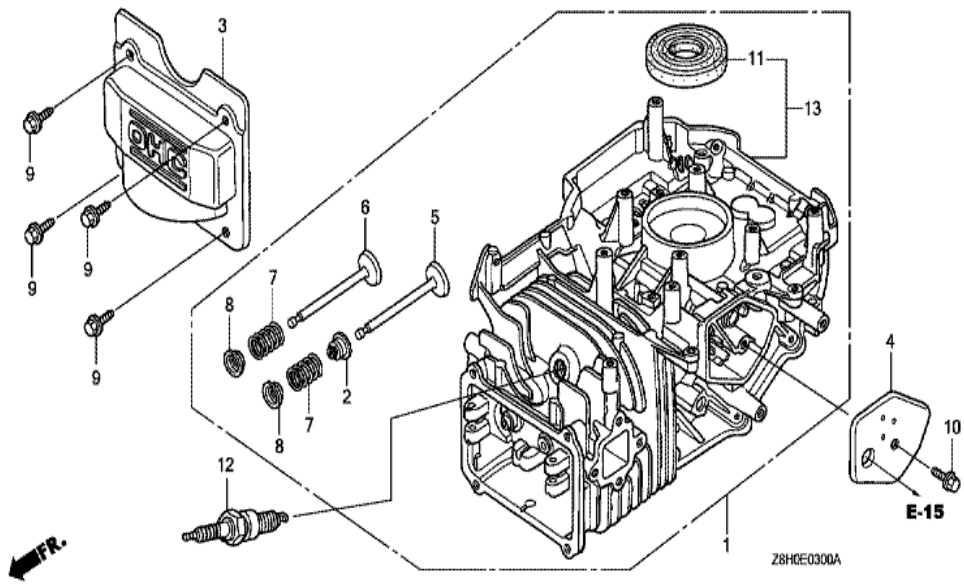
E-28-1 LABEL (GCV135/A/E)



Z8H0E2801B

Ref	Partnumber	Description	GCV135	Serial Numbers
002	87101-ZM1-000	MARK, EMBLEM (GCV135 4.5)	1	
002	87101-ZM1-000	MARK, EMBLEM (GCV135 4.5)	1	1623909
002	87101-ZM1-010	MARK, EMBLEM (GCV135 4.5)	1	1623910
002	87101-ZM1-010	MARK, EMBLEM (GCV135 4.5)	1	1623910

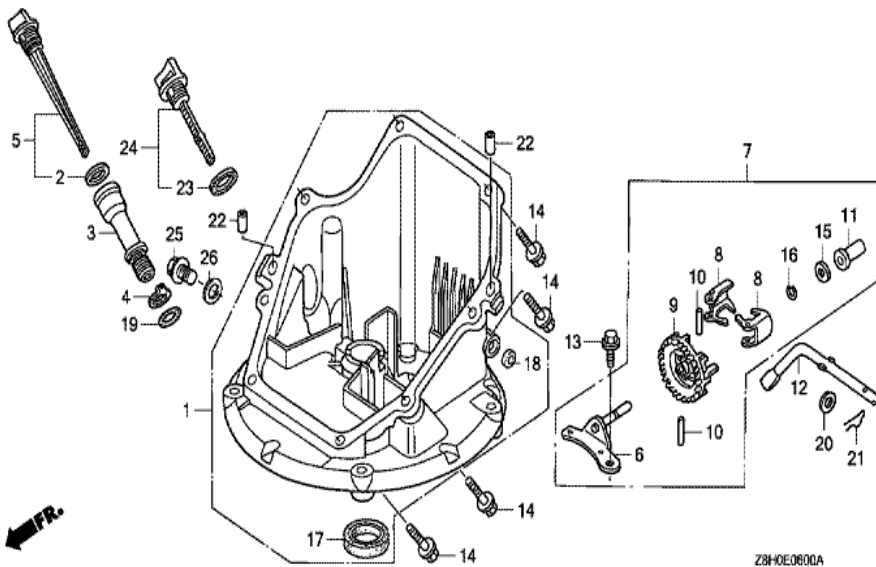
GCV135(A2R)	E-3 CYLINDER BARREL
-------------	---------------------



<u>Ref</u>	<u>Partnumber</u>	<u>Description</u>	<u>GCV135</u>	<u>Serial Numbers</u>
002	12209-ZM0-003	SEAL, VALVE STEM	1	
002	12209-ZM0-003	SEAL, VALVE STEM	1	1623460
003	12311-ZL8-000	COVER, HEAD	1	
003	12311-ZL8-000	COVER, HEAD	1	
004	12355-ZL8-000	COVER COMP., BREATHER	1	
005	14711-ZL8-000	VALVE, IN. (TECHNOSTAR)	1	
005	14711-ZL8-000	VALVE, IN. (TECHNOSTAR)	1	
006	14721-ZL8-000	VALVE, EX. (L8E)	1	
007	14751-ZL8-000	SPRING, VALVE	2	
008	14771-ZE1-000	RETAINER, IN. VALVE SPRING	2	
009	90013-883-000	BOLT, FLANGE, 6X12 (CT200)	4	
010	90014-952-000	BOLT, FLANGE, 6X14 (CT200)	1	
011	91201-ZL8-003	OIL SEAL, 25.4X62X6	1	
<u>Ref</u>	<u>Partnumber</u>	<u>Description</u>	<u>GCV135</u>	<u>Serial Numbers</u>
012	98079-56846	PLUG, SPARK (BPR6ES) (NGK)	1	2720018
012	98079-56846	PLUG, SPARK (BPR6ES) (NGK)	1	
013	12000-ZL9-405	BARREL ASSY., CYLINDER	1	1115957
013	12000-ZL9-405	BARREL ASSY., CYLINDER	1	
013	12000-ZL9-405	BARREL ASSY., CYLINDER	1	

GCV135(A2R)

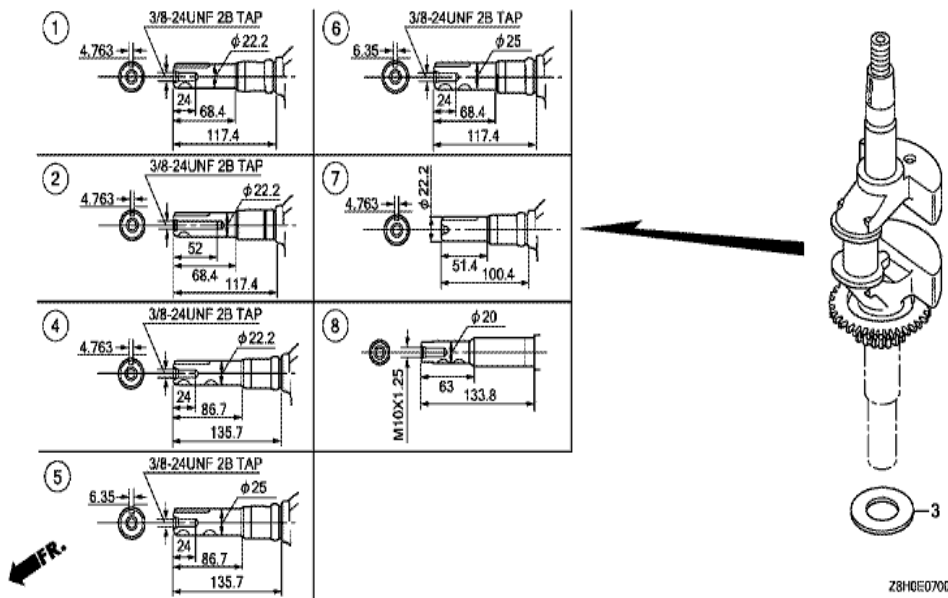
E-6 OIL PAN



<u>Ref</u>	<u>Partnumber</u>	<u>Description</u>	<u>GCV135</u>	<u>Serial Numbers</u>
001	11300-ZM0-407	PAN ASSY., OIL	1	
001	11300-ZM0-407	PAN ASSY., OIL	1	
006	16508-ZM0-000	SHAFT COMP., GOVERNOR HOLDER	1	1449200
006	16508-ZM0-000	SHAFT COMP., GOVERNOR HOLDER	1	1449200
006	16508-ZM0-010	SHAFT COMP., GOVERNOR HOLDER	1	
006	16508-ZM0-010	SHAFT COMP., GOVERNOR HOLDER	1	
006	16508-ZM0-010	SHAFT COMP., GOVERNOR HOLDER	1	1449201
007	16510-ZM0-010	GOVERNOR ASSY.	1	
007	16510-ZM0-010	GOVERNOR ASSY.	1	
008	16511-ZL8-000	WEIGHT, GOVERNOR	2	
008	16511-ZL8-000	WEIGHT, GOVERNOR	2	
009	16512-ZM0-000	HOLDER, GOVERNOR WEIGHT	1	
009	16512-ZM0-000	HOLDER, GOVERNOR WEIGHT	1	
<u>Ref</u>	<u>Partnumber</u>	<u>Description</u>	<u>GCV135</u>	<u>Serial Numbers</u>
010	16513-ZE1-000	PIN, GOVERNOR WEIGHT	2	
011	16531-ZE1-000	SLIDER, GOVERNOR	1	
011	16531-ZE1-000	SLIDER, GOVERNOR	1	
012	16541-ZM0-000	SHAFT, GOVERNOR ARM	1	
013	90014-952-000	BOLT, FLANGE, 6X14 (CT200)	1	
014	90121-952-000	BOLT, FLANGE, 6X25 (CT200)	8	
014	90121-952-000	BOLT, FLANGE, 6X25 (CT200)	8	
015	90451-ZE1-000	WASHER, THRUST, 6MM	1	
015	90451-ZE1-000	WASHER, THRUST, 6MM	1	
016	90602-ZE1-000	CLIP, GOVERNOR HOLDER	1	
016	90602-ZE1-000	CLIP, GOVERNOR HOLDER	1	
017	91202-ZM0-V31	OIL SEAL, 28X41.25X6 (NOK)	1	
017	91202-ZM0-V31	OIL SEAL, 28X41.25X6 (NOK)	1	
020	94101-06800	WASHER, PLAIN, 6MM	1	
021	94251-08000	PIN, LOCK, 8MM	1	
022	94301-08200	DOWEL PIN, 8X20	2	
023	15625-ZE1-003	PACKING, OIL FILLER CAP	1	
024	15650-ZM0-003	GAUGE ASSY., OIL LEVEL	1	

GCV135(A2R)

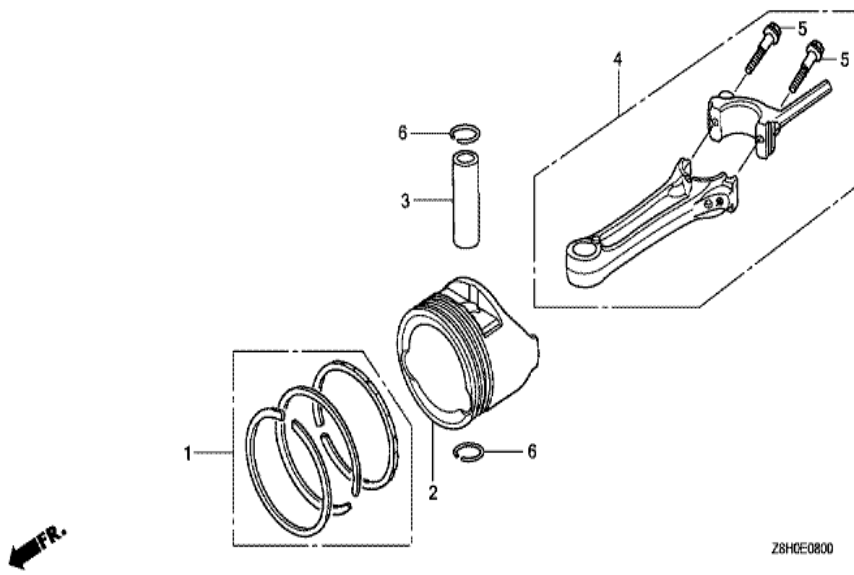
E-7 CRANKSHAFT



Z8H0E0700B

Ref	Partnumber	Description	GCV135	Serial Numbers
001	13310-ZM1-600	CRANKSHAFT COMP.	1	
003	90402-ZL8-000	WASHER, THRUST	1	

GCV135(A2R)	E-8 PISTON/CONNECTING ROD
-------------	---------------------------



Ref	Partnumber	Description	GCV135	Serial Numbers
001	13010-ZL8-003	RING SET, PISTON (RIKEN)	1	2277162
001	13010-ZL8-003	RING SET, PISTON (RIKEN)	1	
001	13010-ZL8-024	RING SET, PISTON (TEIKOKU)	1	2531728
001	13010-ZL8-024	RING SET, PISTON (TEIKOKU)	1	
002	13101-ZL8-000	PISTON	1	2277162
002	13101-ZL8-000	PISTON	1	
003	13111-ZE0-000	PIN, PISTON	1	
003	13111-ZE0-000	PIN, PISTON	1	
004	13200-ZL9-000	ROD ASSY., CONNECTING	1	
005	90001-ZE1-000	BOLT, CONNECTING ROD	2	
005	90001-ZE1-000	BOLT, CONNECTING ROD	2	
006	90551-ZE0-000	CLIP, PISTON PIN, 13MM	2	