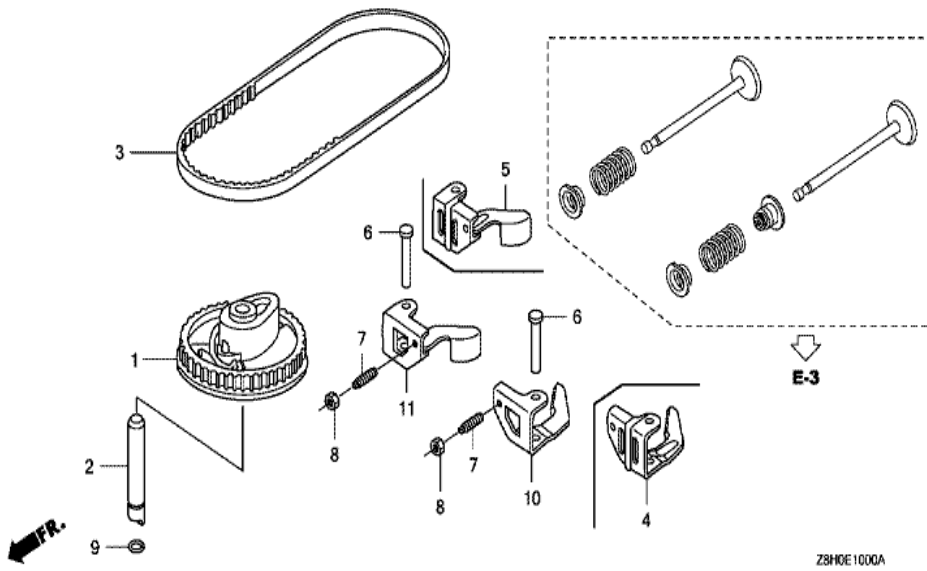
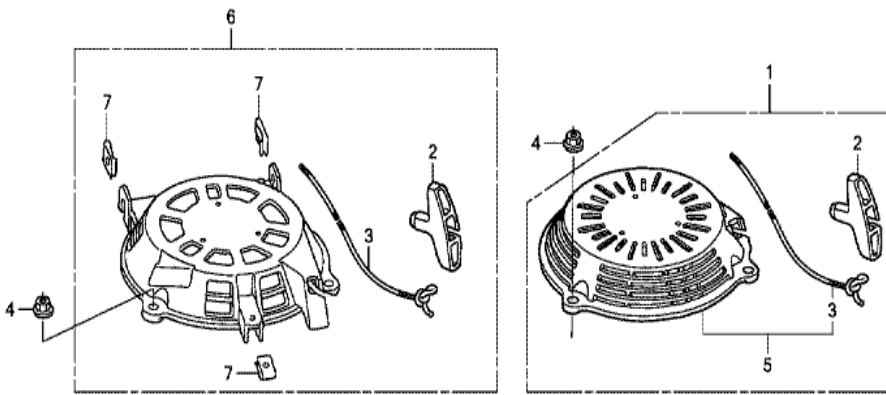


GCV135(N7E2)	E-10 CAMSHAFT PULLEY
--------------	----------------------



Ref	Partnumber	Description	GCV135	Serial Numbers
001	14320-ZL8-010	PULLEY COMP., CAMSHAFT	1	
001	14320-ZL8-010	PULLEY COMP., CAMSHAFT	1	
002	14324-ZL8-000	SHAFT, CAM PULLEY	1	
003	14400-ZL9-013	BELT, TIMING (79HU7 G-200)	1	
003	14400-ZL9-013	BELT, TIMING (79HU7 G-200)	1	
006	14461-ZL8-000	SHAFT, ROCKER ARM	2	
007	90012-333-000	SCREW, TAPPET ADJUSTING	2	
008	90206-001-000	NUT, TAPPET ADJUSTING	2	
009	91301-ZM0-V31	O-RING, 6.8X1.9 (ARAI)	1	
009	91301-ZM0-V31	O-RING, 6.8X1.9 (ARAI)	1	
010	14431-ZL8-000	ARM, IN. VALVE ROCKER	1	
011	14441-ZL8-000	ARM, EX. VALVE ROCKER	1	

GCV135(N7E2)	E-11 RECOIL STARTER
--------------	---------------------

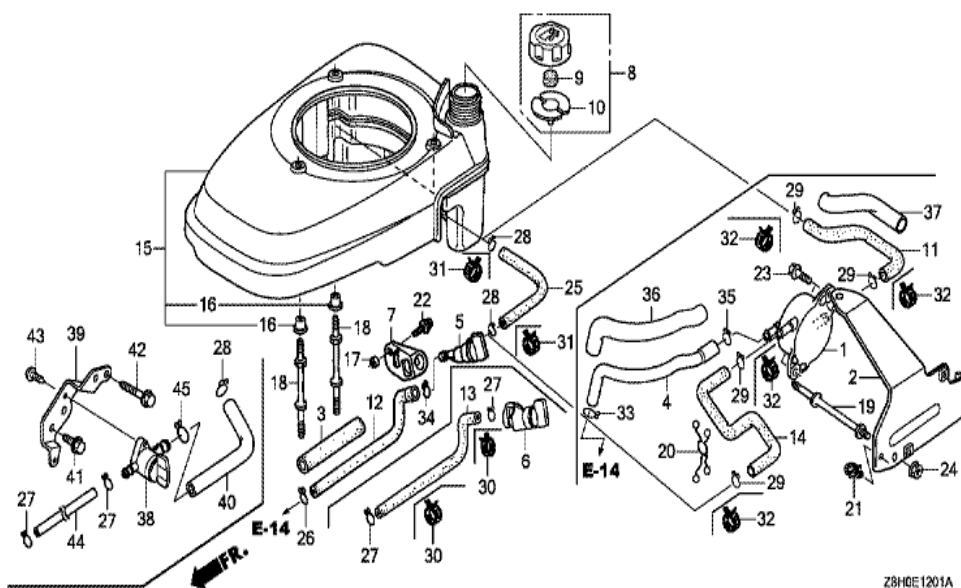


ZBH0E1100A

Ref	Partnumber	Description	GCV135	Serial Numbers
001	28400-ZL8-013ZA	STARTER ASSY., RECOIL *NH1 *	1	
001	28400-ZL8-013ZA	STARTER ASSY., RECOIL *NH1 *	1	1614892
002	28461-ZL8-003	GRIP, STARTER	1	
003	28462-ZL8-003	ROPE, RECOIL STARTER	1	
004	90201-ZM0-000	NUT, FLANGE, 6MM	3	

GCV135(N7E2)

E-12-1 FAN COVER (GCV135/A/E)

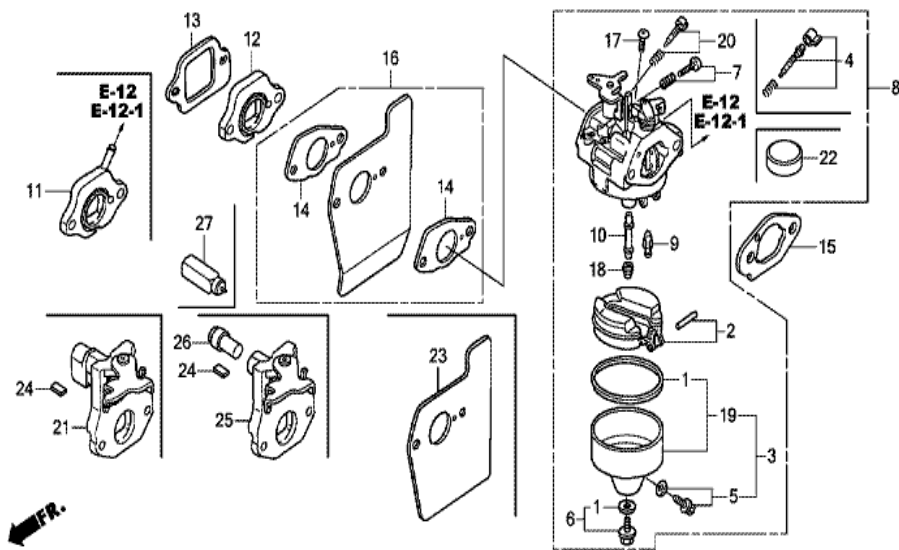


Z8H0E1201A

Ref	Partnumber	Description	GCV135	Serial Numbers
001	16700-ZOM-782	PUMP ASSY., FUEL	1	
001	16700-ZOM-782	PUMP ASSY., FUEL	1	
002	16711-ZOM-780	STAY, FUEL PUMP	1	
003	16854-ZH8-000	RUBBER, SUPPORTER (107MM)	1	
004	16882-ZOM-780	TUBE, DIAPHRAGM	1	
005	16950-ZG9-M03	COCK ASSY., FUEL	1	
005	16950-ZG9-M03	COCK ASSY., FUEL	1	1623712
006	16950-ZM0-003	COCK ASSY., FUEL	1	4183921
006	16950-ZM0-003	COCK ASSY., FUEL	1	1623713
007	16956-ZM0-000	BRACKET, FUEL COCK	1	1623712
007	16956-ZM0-000	BRACKET, FUEL COCK	1	1623712
008	17620-ZL8-013	CAP ASSY., FUEL TANK	1	1622110
008	17620-ZL8-013	CAP ASSY., FUEL TANK	1	

<u>Ref</u>	<u>Partnumber</u>	<u>Description</u>	<u>GCV135</u>	<u>Serial Numbers</u>
009	17622-ZL8-003	SPONGE, FUEL CAP BREATHER	1	
009	17622-ZL8-003	SPONGE, FUEL CAP BREATHER	1	
010	17624-ZL8-003	PACKING, FUEL CAP	1	
010	17624-ZL8-003	PACKING, FUEL CAP	1	
011	17701-ZOM-780	TUBE, FUEL TANK	1	2470110
011	17701-ZOM-780	TUBE, FUEL TANK	1	
012	17702-ZM0-000	TUBE, FUEL	1	
012	17702-ZM0-000	TUBE, FUEL	1	1623712
013	17702-ZM0-800	TUBE, FUEL	1	1694819
013	17702-ZM0-800	TUBE, FUEL	1	4183921
013	17702-ZM0-800	TUBE, FUEL	1	1623713
014	17703-ZOM-780	TUBE B, FUEL	1	1963046
014	17703-ZOM-780	TUBE B, FUEL	1	
015	19610-ZM1-010ZA	COVER COMP., FAN *NH1 *	1	1187906
015	19610-ZM1-010ZA	COVER COMP., FAN *NH1 *	1	
016	19619-ZL8-300	COLLAR, FAN COVER	3	
017	33609-GK4-620	COLLAR, FR. WINKER	1	
018	90041-ZL9-000	BOLT, STUD (H=35.5MM)	3	
018	90041-ZL9-000	BOLT, STUD (H=35.5MM)	3	
019	90041-ZOM-780	BOLT, STUD	1	
020	90601-ZOM-003	CLIP, PURSE LOCK	1	
021	90659-680-013	CLIP, WIRE HARNESS	1	
022	93891-0501008	SCREW-WASHER, 5X10	1	
023	93894-0501400	SCREW-WASHER, 5X14	2	
024	94050-06000	NUT, FLANGE, 6MM	1	
026	95002-02080	CLIP, TUBE (B8)	1	
026	95002-02080	CLIP, TUBE (B8)	1	1623712
027	95002-02080	CLIP, TUBE (B8)	2	
027	95002-02080	CLIP, TUBE (B8)	2	1623713
029	95002-02100	CLIP, TUBE (B10)	4	
033	95002-45000	CLIP, TUBE (C8)	1	
034	95002-50000	CLIP, TUBE (C9)	1	
034	95002-50000	CLIP, TUBE (C9)	1	1623712
<u>Ref</u>	<u>Partnumber</u>	<u>Description</u>	<u>GCV135</u>	<u>Serial Numbers</u>
035	95002-50000	CLIP, TUBE (C9)	1	
036	95003-2502120	TUBE, VINYL, 9X11X210 (95003-25001-10M)	1	
037	95003-3601020	TUBE, VINYL, 11X13X100 (95003-36001-10M)	1	

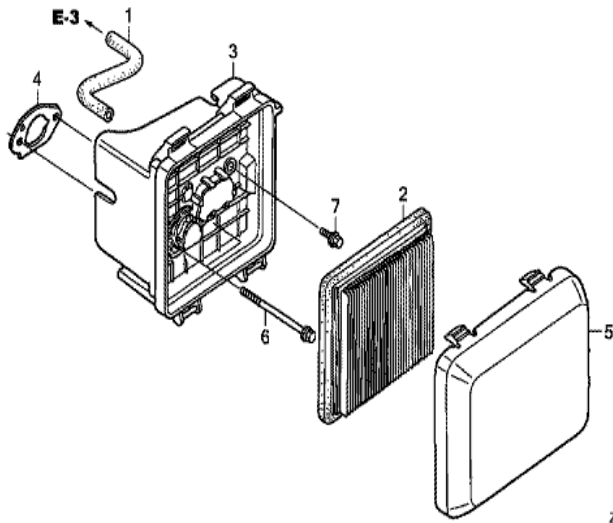
GCV135(N7E2)	E-14 CARBURETOR
--------------	-----------------



Z8H0E1400E

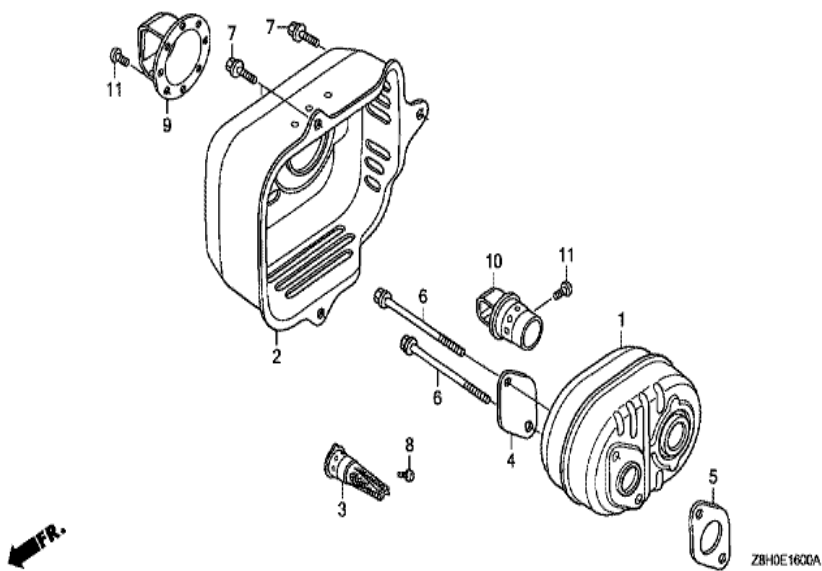
Ref	Partnumber	Description	GCV135	Serial Numbers
001	16010-883-015	PACKING SET	1	
002	16013-ZL1-003	FLOAT SET	1	
003	16015-887-782	CHAMBER SET, FLOAT	1	
004	16016-ZG0-W00	SCREW SET	1	BB64B C
004	16016-ZG0-W00	SCREW SET	1	
005	16024-ZE1-811	SCREW SET, DRAIN	1	
006	16028-ZE0-005	SCREW SET	1	
007	16029-ZG0-901	SCREW SET (THROTTLE STOP)	1	
008	16100-Z0M-781	CARBURETOR ASSY. (BB64G A)	1	2017060
008	16100-Z0M-781	CARBURETOR ASSY. (BB64G A)	1	
009	16155-ZM0-003	VALVE, FLOAT	1	
010	16166-ZM1-003	NOZZLE, MAIN	1	
010	16166-ZM1-003	NOZZLE, MAIN	1	
Ref	Partnumber	Description	GCV135	Serial Numbers
010	16166-ZM1-003	NOZZLE, MAIN	1	
011	16210-Z0M-780	INSULATOR COMP., CARBURETOR	1	
013	16212-ZL8-000	PACKING, INSULATOR	1	
014	16221-883-800	PACKING, CARBURETOR	2	
015	16228-ZL8-000	PACKING, CARBURETOR	1	
015	16228-ZL8-000	PACKING, CARBURETOR	1	
016	19650-ZM0-000	GUIDE COMP., AIR	1	
017	93500-050061H	SCREW, PAN, 5X6	1	
018	99101-1240580	JET, MAIN, #58	(1)	
018	99101-1240580	JET, MAIN, #58	(1)	
018	99101-1240600	JET, MAIN, #60	(1)	BB64F A
018	99101-1240600	JET, MAIN, #60	(1)	
018	99101-1240620	JET, MAIN, #62	1	BB64F A
018	99101-1240620	JET, MAIN, #62	1	

GCV135(N7E2)	E-15 AIR CLEANER
--------------	------------------



<u>Ref</u>	<u>Partnumber</u>	<u>Description</u>	<u>GCV135</u>	<u>Serial Numbers</u>
001	15721-ZM1-000	TUBE, BREATHER	1	
001	15721-ZM1-000	TUBE, BREATHER	1	
002	17211-ZL8-003	ELEMENT, AIR CLEANER	1	
002	17211-ZL8-003	ELEMENT, AIR CLEANER	1	
003	17220-ZM0-000	CASE ASSY., AIR CLEANER	1	
004	17228-ZM0-000	PACKING, AIR CLEANER	1	
005	17231-ZM0-000	COVER, AIR CLEANER	1	1623839
005	17231-ZM0-000	COVER, AIR CLEANER	1	1623839
005	17231-ZM0-010	COVER, AIR CLEANER	1	1623840 1623932
005	17231-ZM0-010	COVER, AIR CLEANER	1	1623840 1623932
005	17231-ZM0-020	COVER, AIR CLEANER	1	1623933
005	17231-ZM0-020	COVER, AIR CLEANER	1	1623933
006	90003-ZM0-000	BOLT, FLANGE, 6X86 (CT200)	2	
<u>Ref</u>	<u>Partnumber</u>	<u>Description</u>	<u>GCV135</u>	<u>Serial Numbers</u>
006	90003-ZM0-000	BOLT, FLANGE, 6X86 (CT200)	2	
007	95701-0601408	BOLT, FLANGE, 6X14	1	

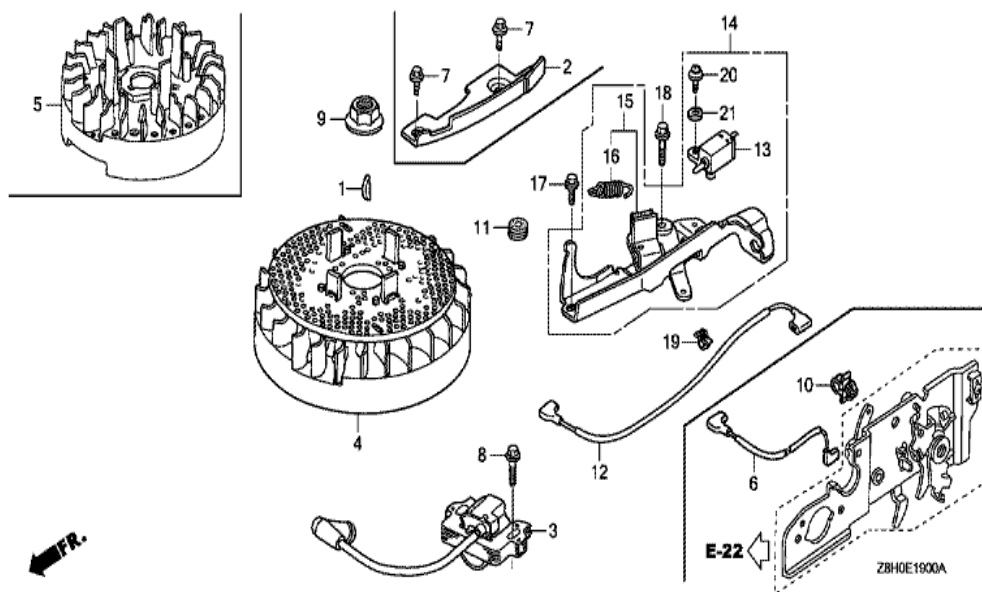
GCV135(N7E2)	E-16 MUFFLER
--------------	--------------



Ref	Partnumber	Description	GCV135	Serial Numbers
001	18310-ZM0-000	MUFFLER COMP.	1	
002	18320-Z0M-780	PROTECTOR COMP., MUFFLER	1	
002	18320-Z0M-780	PROTECTOR COMP., MUFFLER	1	3176270
005	18381-ZL8-305	GASKET, MUFFLER	(1)	
006	90004-ZL8-000	BOLT, FLANGE, 6X79 (CT200)	2	
006	90004-ZL8-000	BOLT, FLANGE, 6X79 (CT200)	2	
007	90013-883-000	BOLT, FLANGE, 6X12 (CT200)	3	

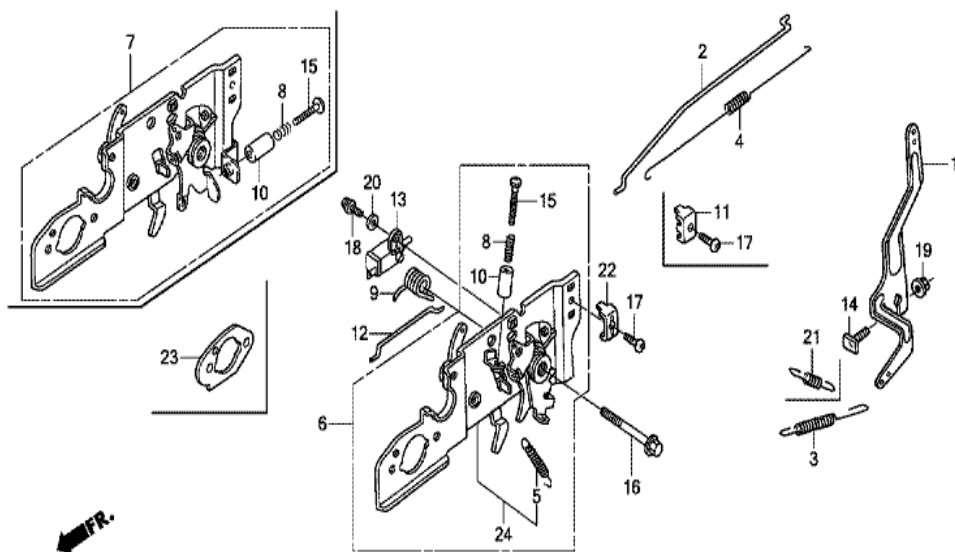
GCV135(N7E2)

E-19 FLYWHEEL



Ref	Partnumber	Description	GCV135	Serial Numbers
001	13331-357-000	KEY, SPECIAL WOODRUFF, 25X18	1	
002	19612-ZM0-J20	PLATE, SIDE	1	
002	19612-ZM0-J20	PLATE, SIDE	1	
003	30500-ZL8-004	COIL ASSY., IGNITION (TEC) (USE FOR F/W	1	
004	31105-ZM1-V20	FLYWHEEL ASSY. (TEC) (USE FOR IGN. COIL	1	
004	31105-ZM1-V20	FLYWHEEL ASSY. (TEC) (USE FOR IGN. COIL	1	
006	32195-ZM0-800	CORD, STOP SWITCH	1	
007	90013-883-000	BOLT, FLANGE, 6X12 (CT200)	2	
008	90022-888-010	BOLT, FLANGE, 6X20 (CT200)	1	
008	90022-888-010	BOLT, FLANGE, 6X20 (CT200)	1	
009	90201-878-003	NUT, SPECIAL, 14MM	1	
010	90681-959-003	CLIP A, CABLE (NIFCO) (3.8MM BLACK)	1	

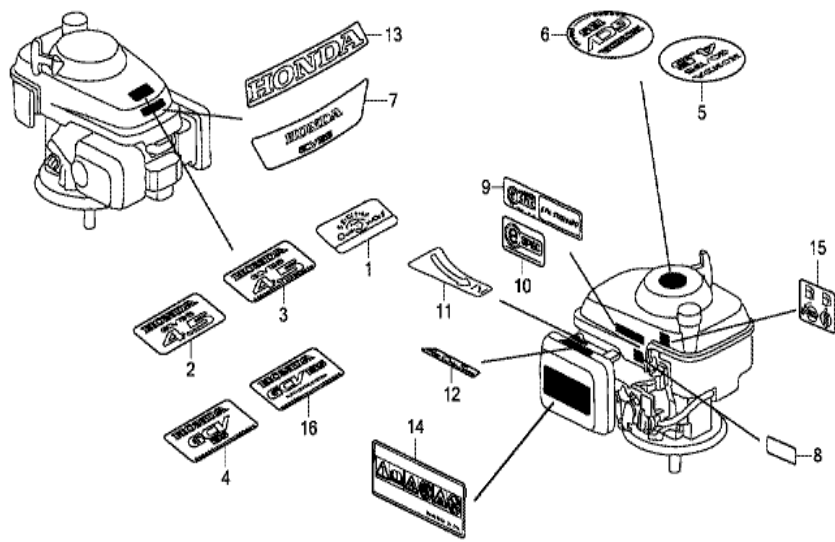
GCV135(N7E2)	E-22 CONTROL (1)
--------------	------------------



Z8H0E2200C

<u>Ref</u>	<u>Partnumber</u>	<u>Description</u>	<u>GCV135</u>	<u>Serial Numbers</u>
001	16551-ZM0-010	ARM, GOVERNOR	1	1623460
001	16551-ZM0-010	ARM, GOVERNOR	1	
002	16555-ZM1-000	ROD, GOVERNOR	1	
002	16555-ZM1-000	ROD, GOVERNOR	1	
003	16561-ZM1-V30	SPRING, GOVERNOR	1	
003	16561-ZM1-V30	SPRING, GOVERNOR	1	
003	16561-ZM1-V30	SPRING, GOVERNOR	1	
004	16562-ZM1-000	SPRING, THROTTLE RETURN	1	
007	16580-Z0M-780	BASE COMP., CONTROL	1	
008	16584-883-300	SPRING, CONTROL ADJUSTING	1	
010	16599-ZG1-M10	COLLAR, STOPPER	1	
011	16617-VG3-000	HOLDER, CABLE	1	
011	16617-VG3-000	HOLDER, CABLE	1	1623932
<u>Ref</u>	<u>Partnumber</u>	<u>Description</u>	<u>GCV135</u>	<u>Serial Numbers</u>
012	16674-ZM0-000	ROD, CHOKE	1	
013	35120-ZL8-003	SWITCH ASSY., ENGINE STOP (N.O)	1	
014	90015-ZE5-010	BOLT, GOVERNOR ARM	1	
015	90016-ZE7-W00	SCREW, RECESSED, 5X28	1	
016	90016-ZM0-000	BOLT, FLANGE, 6X45 (CT200)	1	
017	93500-050160A	SCREW, PAN, 5X16	1	
018	93892-0401200	SCREW-WASHER, 4X12	1	
019	94050-06000	NUT, FLANGE, 6MM	1	
020	94103-04000	WASHER, PLAIN, 4MM	1	
022	16576-891-000	HOLDER, CABLE	1	
022	16576-891-000	HOLDER, CABLE	1	1623931

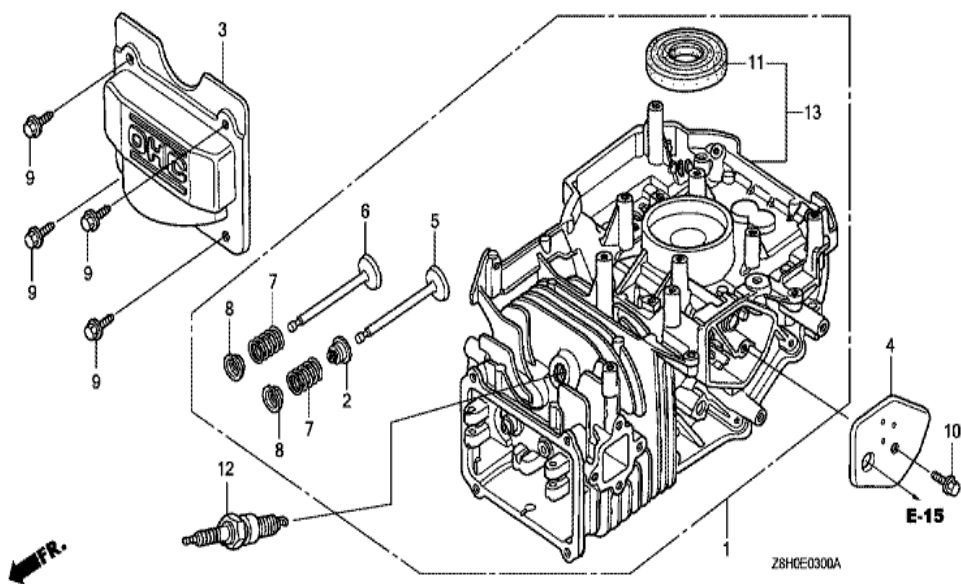
GCV135(N7E2)	E-28-1 LABEL (GCV135/A/E)
--------------	---------------------------



Z8H0E2801B

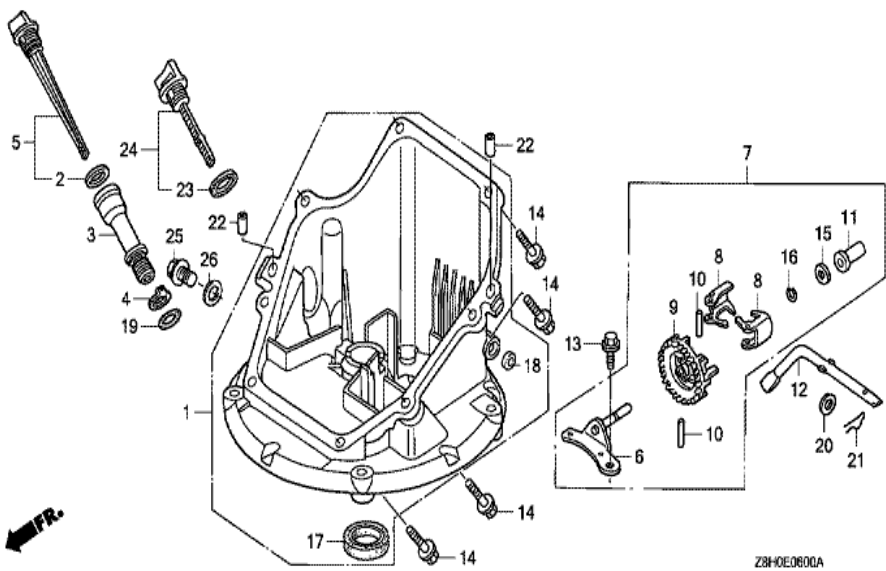
Ref	Partnumber	Description	GCV135	Serial Numbers
005	87101-ZOM-780	MARK, EMBLEM (GCV135)	1	

GCV135(N7E2)	E-3 CYLINDER BARREL
--------------	---------------------



<u>Ref</u>	<u>Partnumber</u>	<u>Description</u>	<u>GCV135</u>	<u>Serial Numbers</u>
002	12209-ZM0-003	SEAL, VALVE STEM	1	
003	12311-ZL8-000	COVER, HEAD	1	
003	12311-ZL8-000	COVER, HEAD	1	
004	12355-ZL8-000	COVER COMP., BREATHER	1	
005	14711-ZL8-000	VALVE, IN. (TECHNOSTAR)	1	
005	14711-ZL8-000	VALVE, IN. (TECHNOSTAR)	1	
006	14721-ZL8-000	VALVE, EX. (L8E)	1	
007	14751-ZL8-000	SPRING, VALVE	2	
008	14771-ZE1-000	RETAINER, IN. VALVE SPRING	2	
009	90013-883-000	BOLT, FLANGE, 6X12 (CT200)	4	
010	90014-952-000	BOLT, FLANGE, 6X14 (CT200)	1	
011	91201-ZL8-003	OIL SEAL, 25.4X62X6	1	
012	98079-56846	PLUG, SPARK (BPR6ES) (NGK)	1	2720018
<u>Ref</u>	<u>Partnumber</u>	<u>Description</u>	<u>GCV135</u>	<u>Serial Numbers</u>
012	98079-56846	PLUG, SPARK (BPR6ES) (NGK)	1	
013	12000-ZL9-415	BARREL ASSY., CYLINDER	1	
013	12000-ZL9-415	BARREL ASSY., CYLINDER	1	
013	12000-ZL9-415	BARREL ASSY., CYLINDER	1	

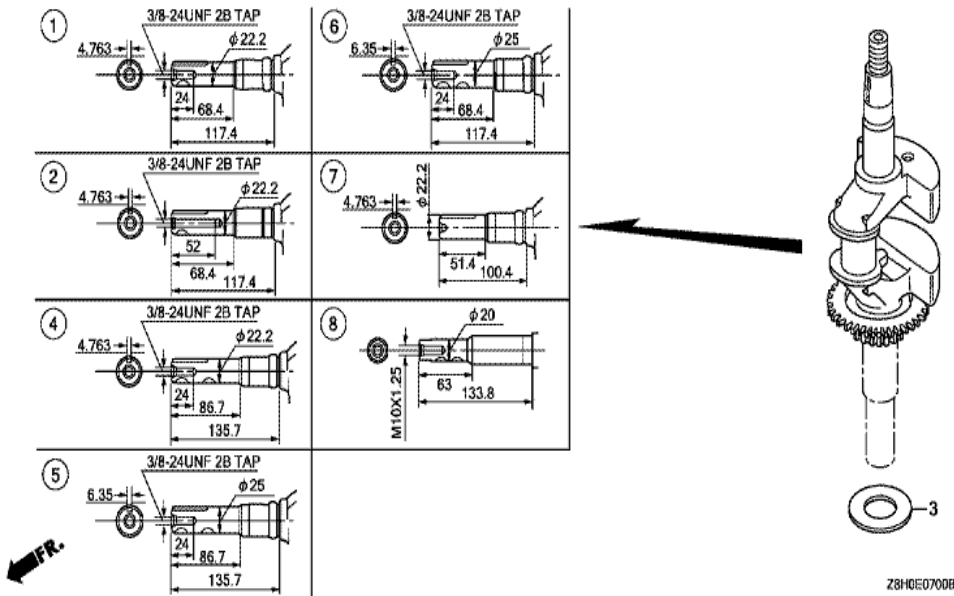
GCV135(N7E2)	E-6 OIL PAN
--------------	-------------



Ref	Partnumber	Description	GCV135	Serial Numbers
001	11300-Z0M-405	PAN ASSY., OIL	1	
001	11300-Z0M-405	PAN ASSY., OIL	1	
002	15625-ZE6-000	PACKING, OIL FILLER CAP	1	
003	15631-ZM0-000	EXTENSION, OIL FILLER	1	
004	15639-ZM0-000	WASHER, EXTENSION LOCK	1	
005	15650-ZM0-801	GAUGE ASSY., OIL LEVEL	1	
005	15650-ZM0-801	GAUGE ASSY., OIL LEVEL	1	
006	16508-ZM0-010	SHAFT COMP., GOVERNOR HOLDER	1	
006	16508-ZM0-010	SHAFT COMP., GOVERNOR HOLDER	1	
007	16510-ZM0-010	GOVERNOR ASSY.	1	
007	16510-ZM0-010	GOVERNOR ASSY.	1	
008	16511-ZL8-000	WEIGHT, GOVERNOR	2	
008	16511-ZL8-000	WEIGHT, GOVERNOR	2	

<u>Ref</u>	<u>Partnumber</u>	<u>Description</u>	<u>GCV135</u>	<u>Serial Numbers</u>
009	16512-ZM0-000	HOLDER, GOVERNOR WEIGHT	1	
009	16512-ZM0-000	HOLDER, GOVERNOR WEIGHT	1	
010	16513-ZE1-000	PIN, GOVERNOR WEIGHT	2	
011	16531-ZE1-000	SLIDER, GOVERNOR	1	
011	16531-ZE1-000	SLIDER, GOVERNOR	1	
012	16541-ZM0-000	SHAFT, GOVERNOR ARM	1	
013	90014-952-000	BOLT, FLANGE, 6X14 (CT200)	1	
014	90121-952-000	BOLT, FLANGE, 6X25 (CT200)	8	
014	90121-952-000	BOLT, FLANGE, 6X25 (CT200)	8	
015	90451-ZE1-000	WASHER, THRUST, 6MM	1	
015	90451-ZE1-000	WASHER, THRUST, 6MM	1	
016	90602-ZE1-000	CLIP, GOVERNOR HOLDER	1	
016	90602-ZE1-000	CLIP, GOVERNOR HOLDER	1	
017	91202-ZL8-003	OIL SEAL, 28X41.25X6	1	
018	91231-891-003	OIL SEAL, 6X11X4 (ARAI)	1	
019	91303-KF0-003	O-RING, 14.8X2.4 (ARAI)	1	
020	94101-06800	WASHER, PLAIN, 6MM	1	
021	94251-08000	PIN, LOCK, 8MM	1	
022	94301-08200	DOWEL PIN, 8X20	2	

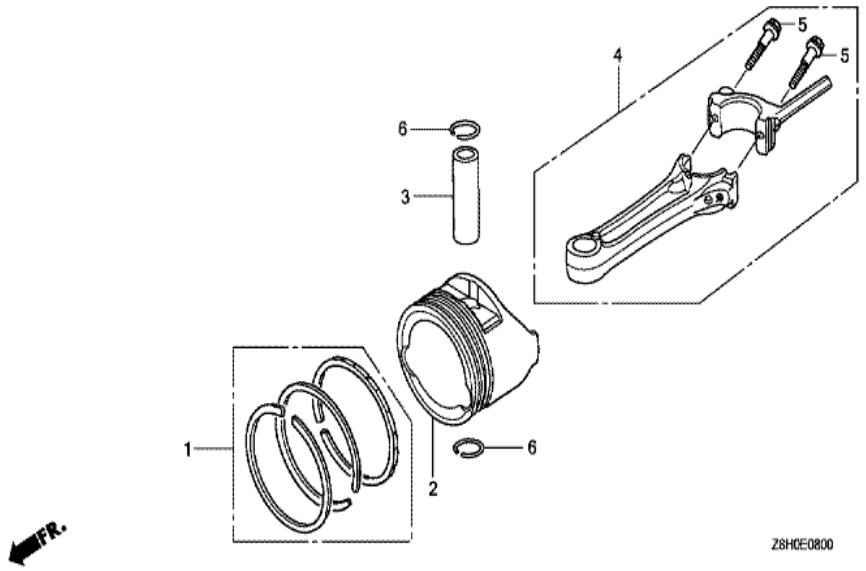
GCV135(N7E2)	E-7 CRANKSHAFT
--------------	----------------



Z8H0E0700B

Ref	Partnumber	Description	GCV135	Serial Numbers
002	13310-Z0M-780	CRANKSHAFT COMP.	1	
003	90402-ZL8-000	WASHER, THRUST	1	

GCV135(N7E2)	E-8 PISTON/CONNECTING ROD
--------------	---------------------------



Ref	Partnumber	Description	GCV135	Serial Numbers
001	13010-ZL8-003	RING SET, PISTON (RIKEN)	1	2277162
001	13010-ZL8-003	RING SET, PISTON (RIKEN)	1	
001	13010-ZL8-024	RING SET, PISTON (TEIKOKU)	1	2531728
001	13010-ZL8-024	RING SET, PISTON (TEIKOKU)	1	
002	13101-ZL8-000	PISTON	1	2277162
002	13101-ZL8-000	PISTON	1	
003	13111-ZE0-000	PIN, PISTON	1	
003	13111-ZE0-000	PIN, PISTON	1	
004	13200-ZL9-000	ROD ASSY., CONNECTING	1	
005	90001-ZE1-000	BOLT, CONNECTING ROD	2	
005	90001-ZE1-000	BOLT, CONNECTING ROD	2	
006	90551-ZE0-000	CLIP, PISTON PIN, 13MM	2	