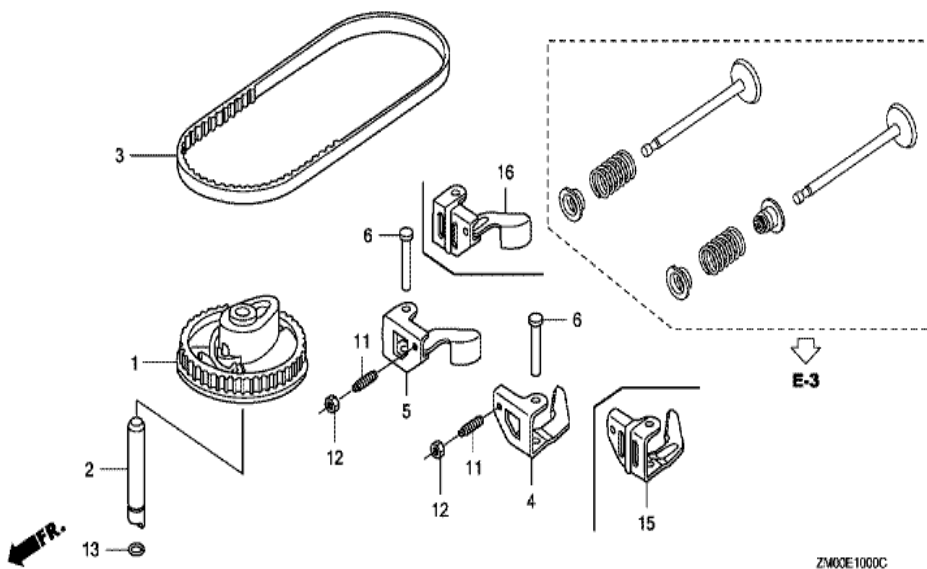
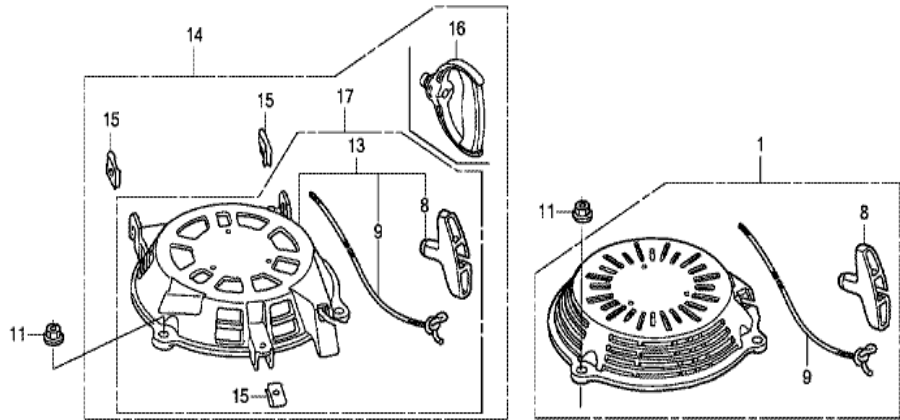


| | |
|---------------|----------------------|
| GCV160A(STL1) | E-10 CAMSHAFT PULLEY |
|---------------|----------------------|



| <u>Ref</u> | <u>Partnumber</u> | <u>Description</u> | <u>GCV160A</u> | <u>Serial Numbers</u> |
|------------|-------------------|----------------------------|----------------|-----------------------|
| 001 | 14320-ZL8-010 | PULLEY COMP., CAMSHAFT | 1 | |
| 001 | 14320-ZL8-010 | PULLEY COMP., CAMSHAFT | 1 | |
| 001 | 14320-ZL8-010 | PULLEY COMP., CAMSHAFT | 1 | |
| 001 | 14320-ZL8-010 | PULLEY COMP., CAMSHAFT | 1 | |
| 002 | 14324-ZL8-000 | SHAFT, CAM PULLEY | 1 | |
| 002 | 14324-ZL8-000 | SHAFT, CAM PULLEY | 1 | |
| 003 | 14400-Z0J-014 | BELT, TIMING (84HU7 G-200) | 1 | |
| 003 | 14400-Z0J-014 | BELT, TIMING (84HU7 G-200) | 1 | |
| 006 | 14461-ZL8-000 | SHAFT, ROCKER ARM | 2 | |
| 011 | 90012-333-000 | SCREW, TAPPET ADJUSTING | 2 | |
| 012 | 90206-001-000 | NUT, TAPPET ADJUSTING | 2 | |
| 013 | 91301-ZM0-V31 | O-RING, 6.8X1.9 (ARAI) | 1 | |
| 013 | 91301-ZM0-V31 | O-RING, 6.8X1.9 (ARAI) | 1 | |
| <u>Ref</u> | <u>Partnumber</u> | <u>Description</u> | <u>GCV160A</u> | <u>Serial Numbers</u> |
| 015 | 14431-Z0J-000 | ARM, IN. VALVE ROCKER | 1 | |
| 016 | 14441-Z0J-000 | ARM, EX. VALVE ROCKER | 1 | |

| | |
|---------------|---------------------|
| GCV160A(STL1) | E-11 RECOIL STARTER |
|---------------|---------------------|

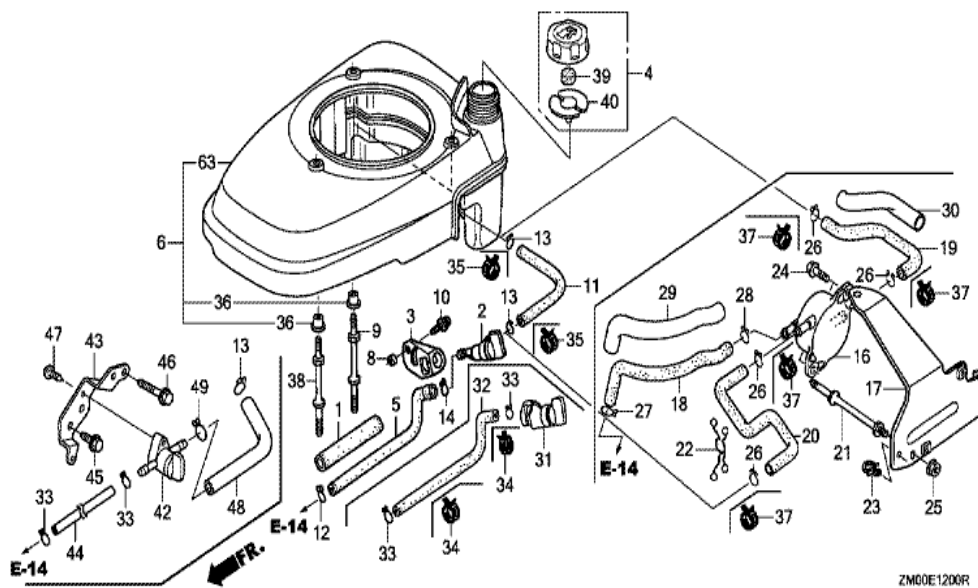


ZM00E1100J

| Ref | Partnumber | Description | GCV160A | Serial Numbers |
|-----|---------------|-----------------------------------|---------|----------------|
| 009 | 28462-ZOL-V71 | ROPE, RECOIL STARTER (LONG TYPE) | 1 | |
| 009 | 28462-ZOL-V71 | ROPE, RECOIL STARTER (LONG TYPE) | 1 | |
| 011 | 90201-ZM0-000 | NUT, FLANGE, 6MM | 3 | |
| 014 | 28400-ZOL-V72 | STARTER ASSY., RECOIL (LONG ROPE) | 1 | |
| 014 | 28400-ZOL-V72 | STARTER ASSY., RECOIL (LONG ROPE) | 1 | |
| 015 | 66871-KY2-700 | NUT, UPPER COWL | 3 | |
| 015 | 66871-KY2-700 | NUT, UPPER COWL | 3 | |
| 015 | 66871-KY2-700 | NUT, UPPER COWL | 3 | |
| 016 | 28461-ZOL-V71 | KNOB, RECOIL STARTER | 1 | |

GCV160A(STL1)

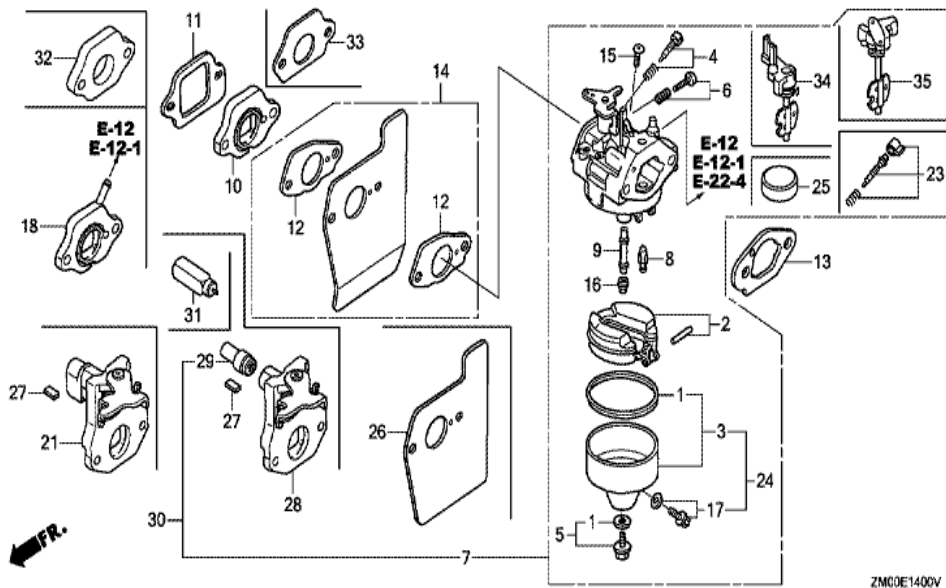
E-12 FAN COVER (1)



| Ref | Partnumber | Description | GCV160A | Serial Numbers |
|-----|-----------------|---------------------------|---------|----------------|
| 001 | 16854-ZH8-000 | RUBBER, SUPPORTER (107MM) | 1 | |
| 004 | 17620-ZL8-013 | CAP ASSY., FUEL TANK | 1 | 2226713 |
| 004 | 17620-ZL8-013 | CAP ASSY., FUEL TANK | 1 | |
| 004 | 17620-ZL8-013 | CAP ASSY., FUEL TANK | 1 | |
| 006 | 19610-ZOL-800ZA | COVER COMP., FAN *NH1 * | 1 | 7158461 |
| 006 | 19610-ZOL-800ZA | COVER COMP., FAN *NH1 * | 1 | |
| 006 | 19610-ZOL-800ZA | COVER COMP., FAN *NH1 * | 1 | |
| 008 | 91501-ZOL-800 | COLLAR, FUEL COCK | 1 | |
| 008 | 91501-ZOL-800 | COLLAR, FUEL COCK | 1 | |
| 009 | 90043-ZL8-000 | BOLT, STUD (H=42.5MM) | 2 | |
| 009 | 90043-ZL8-000 | BOLT, STUD (H=42.5MM) | 2 | |
| 009 | 90043-ZL8-000 | BOLT, STUD (H=42.5MM) | 2 | |
| 009 | 90043-ZL8-000 | BOLT, STUD (H=42.5MM) | 2 | |

| <u>Ref</u> | <u>Partnumber</u> | <u>Description</u> | <u>GCV160A</u> | <u>Serial Numbers</u> |
|------------|-------------------|---------------------------------------|----------------|-----------------------|
| 009 | 90043-ZL8-000 | BOLT, STUD (H=42.5MM) | 2 | |
| 010 | 93891-0501008 | SCREW-WASHER, 5X10 | 1 | |
| 011 | 91425-Z0L-801 | TUBE, FUEL, 5.3X150 (FKM) | 1 | 3698327 |
| 011 | 91425-Z0L-801 | TUBE, FUEL, 5.3X150 (FKM) | 1 | 4030140 |
| 011 | 95001-5515040 | TUBE, FUEL, 5.3X150 (95001-55001-60M) | 1 | 2075802 |
| 011 | 95001-5515040 | TUBE, FUEL, 5.3X150 (95001-55001-60M) | 1 | 1851725 |
| 011 | 95001-5515040 | TUBE, FUEL, 5.3X150 (95001-55001-60M) | 1 | 2075802 |
| 011 | 95001-5515040 | TUBE, FUEL, 5.3X150 (95001-55001-60M) | 1 | 3176791 |
| 011 | 95001-5515040 | TUBE, FUEL, 5.3X150 (95001-55001-60M) | 1 | 4030139 |
| 013 | 95002-02100 | CLIP, TUBE (B10) | 1 | |
| 013 | 95002-02100 | CLIP, TUBE (B10) | 2 | |
| 013 | 95002-02100 | CLIP, TUBE (B10) | 2 | 1851725 |
| 013 | 95002-02100 | CLIP, TUBE (B10) | 2 | 2075802 |
| 013 | 95002-02100 | CLIP, TUBE (B10) | 2 | 3698326 |
| 013 | 95002-02100 | CLIP, TUBE (B10) | 2 | 4030139 |
| 031 | 16950-ZM0-003 | COCK ASSY., FUEL | 1 | |
| 031 | 16950-ZM0-003 | COCK ASSY., FUEL | 1 | 1091838 |
| 032 | 17702-Z0L-801 | TUBE, FUEL (FKM) | 1 | 3698327 |
| 032 | 17702-Z0L-801 | TUBE, FUEL (FKM) | 1 | 4030140 |
| 032 | 17702-ZM0-800 | TUBE, FUEL | 1 | 2439089 |
| 032 | 17702-ZM0-800 | TUBE, FUEL | 1 | 1762462 |
| 032 | 17702-ZM0-800 | TUBE, FUEL | 1 | 1851725 |
| 032 | 17702-ZM0-800 | TUBE, FUEL | 1 | 3176791 |
| 032 | 17702-ZM0-800 | TUBE, FUEL | 1 | 4030139 |
| 033 | 95002-02080 | CLIP, TUBE (B8) | 2 | |
| 033 | 95002-02080 | CLIP, TUBE (B8) | 2 | 3698326 |
| 033 | 95002-02080 | CLIP, TUBE (B8) | 2 | 4030139 |
| 034 | 95002-4080008 | CLAMP, TUBE (D8) | 2 | |
| 034 | 95002-4080008 | CLAMP, TUBE (D8) | 2 | 4029853 |
| 034 | 95002-4080008 | CLAMP, TUBE (D8) | 2 | 4030140 |
| 035 | 95002-4100008 | CLAMP, TUBE (D10) | 2 | |
| 035 | 95002-4100008 | CLAMP, TUBE (D10) | 2 | 3698327 |
| 035 | 95002-4100008 | CLAMP, TUBE (D10) | 2 | 4030140 |
| <u>Ref</u> | <u>Partnumber</u> | <u>Description</u> | <u>GCV160A</u> | <u>Serial Numbers</u> |
| 036 | 19619-ZL8-300 | COLLAR, FAN COVER | 3 | |
| 038 | 90043-ZL8-000 | BOLT, STUD (H=42.5MM) | 1 | |
| 038 | 90043-ZL8-000 | BOLT, STUD (H=42.5MM) | 1 | |
| 038 | 90043-ZL8-000 | BOLT, STUD (H=42.5MM) | 1 | |
| 038 | 90043-ZL8-000 | BOLT, STUD (H=42.5MM) | 1 | |
| 038 | 90043-ZL8-000 | BOLT, STUD (H=42.5MM) | 1 | |
| 038 | 90043-ZL8-000 | BOLT, STUD (H=42.5MM) | 1 | |
| 039 | 17622-ZL8-003 | SPONGE, FUEL CAP BREATHER | 1 | |
| 039 | 17622-ZL8-003 | SPONGE, FUEL CAP BREATHER | 1 | |
| 039 | 17622-ZL8-003 | SPONGE, FUEL CAP BREATHER | 1 | |
| 040 | 17624-ZL8-003 | PACKING, FUEL CAP | 1 | |
| 040 | 17624-ZL8-003 | PACKING, FUEL CAP | 1 | |
| 040 | 17624-ZL8-003 | PACKING, FUEL CAP | 1 | |

| | |
|---------------|-----------------|
| GCV160A(STL1) | E-14 CARBURETOR |
|---------------|-----------------|

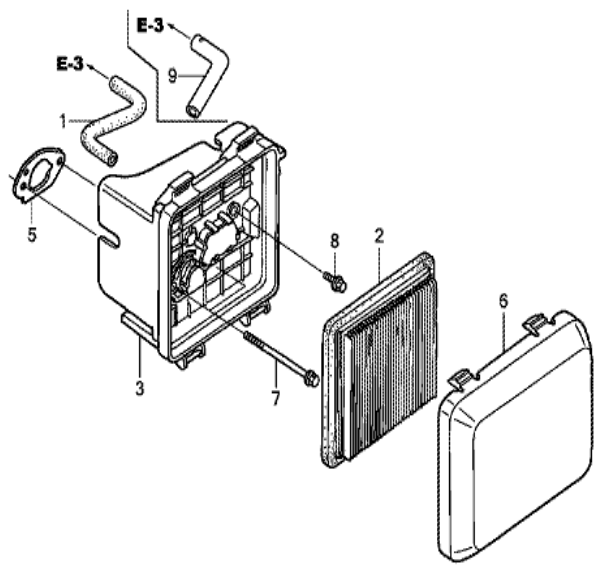


ZMG0E1400V

| Ref | Partnumber | Description | GCV160A | Serial Numbers | |
|-----|---------------|----------------------------|---------|----------------|---------|
| 001 | 16010-883-015 | PACKING SET | 1 | | |
| 002 | 16013-ZL1-003 | FLOAT SET | 1 | | |
| 005 | 16028-ZE0-005 | SCREW SET | 1 | | |
| 007 | 16100-ZOL-802 | CARBURETOR ASSY. (BB62G B) | 1 | 3172196 | 8020871 |
| 007 | 16100-ZOL-802 | CARBURETOR ASSY. (BB62G B) | 1 | | 4030139 |
| 007 | 16100-ZOL-802 | CARBURETOR ASSY. (BB62G B) | 1 | | 4030139 |
| 007 | 16100-ZOL-802 | CARBURETOR ASSY. (BB62G B) | 1 | | 4030139 |
| 007 | 16100-ZOL-802 | CARBURETOR ASSY. (BB62G B) | 1 | | 4030139 |
| 007 | 16100-ZOL-851 | CARBURETOR ASSY. (BB62Z A) | 1 | 8020872 | |
| 007 | 16100-ZOL-851 | CARBURETOR ASSY. (BB62Z A) | 1 | 4030140 | |
| 007 | 16100-ZOL-851 | CARBURETOR ASSY. (BB62Z A) | 1 | 4030140 | |
| 007 | 16100-ZOL-851 | CARBURETOR ASSY. (BB62Z A) | 1 | | 7161134 |
| 007 | 16100-ZOL-851 | CARBURETOR ASSY. (BB62Z A) | 1 | 4030140 | |

| <u>Ref</u> | <u>Partnumber</u> | <u>Description</u> | <u>GCV160A</u> | <u>Serial Numbers</u> |
|------------|-------------------|-----------------------|----------------|-----------------------|
| 008 | 16155-ZM0-013 | VALVE, FLOAT | 1 | BB62B E |
| 008 | 16155-ZM0-013 | VALVE, FLOAT | 1 | |
| 009 | 16166-ZM0-003 | NOZZLE, MAIN | 1 | |
| 009 | 16166-ZM0-003 | NOZZLE, MAIN | 1 | |
| 009 | 16166-ZM0-003 | NOZZLE, MAIN | 1 | |
| 009 | 16166-ZM0-003 | NOZZLE, MAIN | 1 | |
| 009 | 16166-ZM0-003 | NOZZLE, MAIN | 1 | |
| 009 | 16166-ZM0-003 | NOZZLE, MAIN | 1 | |
| 009 | 16166-ZM0-003 | NOZZLE, MAIN | 1 | |
| 010 | 16211-ZL8-000 | INSULATOR, CARBURETOR | 1 | |
| 010 | 16211-ZL8-000 | INSULATOR, CARBURETOR | 1 | |
| 010 | 16211-ZL8-000 | INSULATOR, CARBURETOR | 1 | |
| 011 | 16212-ZL8-000 | PACKING, INSULATOR | 1 | |
| 012 | 16221-883-800 | PACKING, CARBURETOR | 2 | |
| 012 | 16221-883-800 | PACKING, CARBURETOR | 2 | 6349022 |
| 013 | 16228-ZL8-000 | PACKING, CARBURETOR | 1 | |
| 013 | 16228-ZL8-000 | PACKING, CARBURETOR | 1 | |
| 014 | 19650-ZM0-000 | GUIDE COMP., AIR | 1 | |
| 014 | 19650-ZM0-000 | GUIDE COMP., AIR | 1 | 6349022 |
| 015 | 93500-050061H | SCREW, PAN, 5X6 | 1 | |
| 016 | 99101-1240600 | JET, MAIN, #60 | (1) | |
| 016 | 99101-1240600 | JET, MAIN, #60 | (1) | BB65K A |
| 016 | 99101-1240600 | JET, MAIN, #60 | (1) | |
| 016 | 99101-1240620 | JET, MAIN, #62 | (1) | BB75E A |
| 016 | 99101-1240620 | JET, MAIN, #62 | (1) | |
| 016 | 99101-1240620 | JET, MAIN, #62 | (1) | BB75E A |
| 016 | 99101-1240620 | JET, MAIN, #62 | (1) | |
| 016 | 99101-1240620 | JET, MAIN, #62 | (1) | BB75E A |
| 016 | 99101-1240650 | JET, MAIN, #65 | 1 | BB65K A |
| 016 | 99101-1240650 | JET, MAIN, #65 | 1 | |
| 016 | 99101-1240650 | JET, MAIN, #65 | 1 | BB65K A |
| 016 | 99101-1240650 | JET, MAIN, #65 | 1 | |
| 016 | 99101-1240650 | JET, MAIN, #65 | 1 | BB65A C |
| 017 | 16024-ZE1-811 | SCREW SET, DRAIN | 1 | |
| <u>Ref</u> | <u>Partnumber</u> | <u>Description</u> | <u>GCV160A</u> | <u>Serial Numbers</u> |
| 024 | 16015-887-782 | CHAMBER SET, FLOAT | 1 | |
| 026 | 19651-ZOL-000 | GUIDE, AIR | 1 | |
| 026 | 19651-ZOL-000 | GUIDE, AIR | 1 | 6349023 |

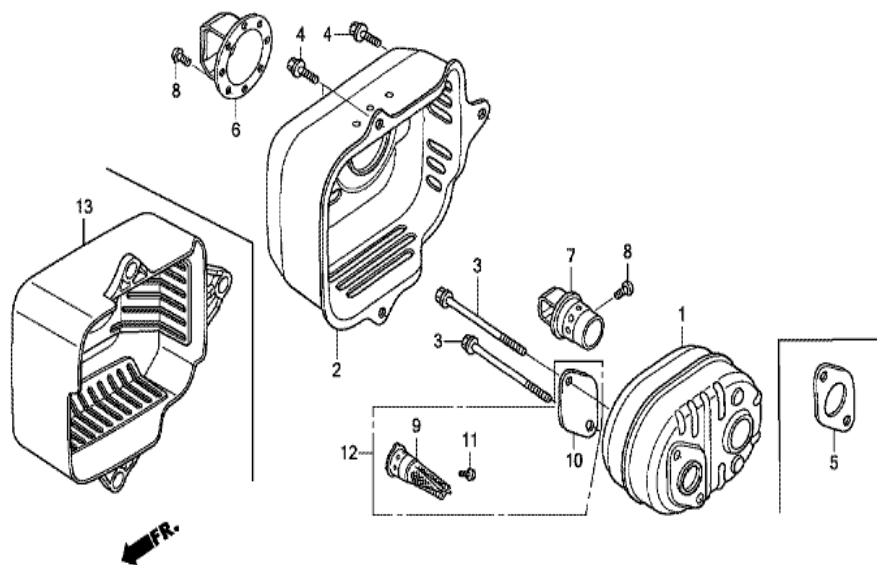
| | |
|---------------|------------------|
| GCV160A(STL1) | E-15 AIR CLEANER |
|---------------|------------------|



ZM00E1500B

| <u>Ref</u> | <u>Partnumber</u> | <u>Description</u> | <u>GCV160A</u> | <u>Serial Numbers</u> |
|------------|-------------------|----------------------------------|----------------|-----------------------|
| 001 | 15721-ZM0-000 | TUBE, BREATHER | 1 | |
| 001 | 15721-ZM0-000 | TUBE, BREATHER | 1 | |
| 002 | 17211-ZL8-023 | ELEMENT, AIR CLEANER (TOYO ROKI) | 1 | |
| 002 | 17211-ZL8-023 | ELEMENT, AIR CLEANER (TOYO ROKI) | 1 | |
| 002 | 17211-ZL8-023 | ELEMENT, AIR CLEANER (TOYO ROKI) | 1 | |
| 002 | 17211-ZL8-023 | ELEMENT, AIR CLEANER (TOYO ROKI) | 1 | |
| 003 | 17220-ZM0-000 | CASE ASSY., AIR CLEANER | 1 | |
| 003 | 17220-ZM0-000 | CASE ASSY., AIR CLEANER | 1 | |
| 003 | 17220-ZM0-000 | CASE ASSY., AIR CLEANER | 1 | |
| 003 | 17220-ZM0-000 | CASE ASSY., AIR CLEANER | 1 | |
| 005 | 17228-ZM0-000 | PACKING, AIR CLEANER | 1 | |
| 005 | 17228-ZM0-000 | PACKING, AIR CLEANER | 1 | |
| 005 | 17228-ZM0-000 | PACKING, AIR CLEANER | 1 | |
| <u>Ref</u> | <u>Partnumber</u> | <u>Description</u> | <u>GCV160A</u> | <u>Serial Numbers</u> |
| 005 | 17228-ZM0-000 | PACKING, AIR CLEANER | 1 | |
| 005 | 17228-ZM0-000 | PACKING, AIR CLEANER | 1 | |
| 006 | 17231-ZOL-030 | COVER, AIR CLEANER | 1 | |
| 006 | 17231-ZOL-030 | COVER, AIR CLEANER | 1 | 1117443 |
| 007 | 90003-ZM0-000 | BOLT, FLANGE, 6X86 (CT200) | 2 | |
| 007 | 90003-ZM0-000 | BOLT, FLANGE, 6X86 (CT200) | 2 | |
| 007 | 90003-ZM0-000 | BOLT, FLANGE, 6X86 (CT200) | 2 | 2441644 |
| 007 | 90003-ZM0-000 | BOLT, FLANGE, 6X86 (CT200) | 2 | |
| 007 | 90003-ZM0-010 | BOLT, FLANGE, 6X85 (CT200) | 2 | |
| 007 | 90003-ZM0-010 | BOLT, FLANGE, 6X85 (CT200) | 2 | |
| 007 | 90003-ZM0-010 | BOLT, FLANGE, 6X85 (CT200) | 2 | 2441645 |
| 007 | 90003-ZM0-010 | BOLT, FLANGE, 6X85 (CT200) | 2 | |
| 007 | 90003-ZM0-010 | BOLT, FLANGE, 6X85 (CT200) | 2 | 6349023 |
| 008 | 95701-0601408 | BOLT, FLANGE, 6X14 | 1 | |

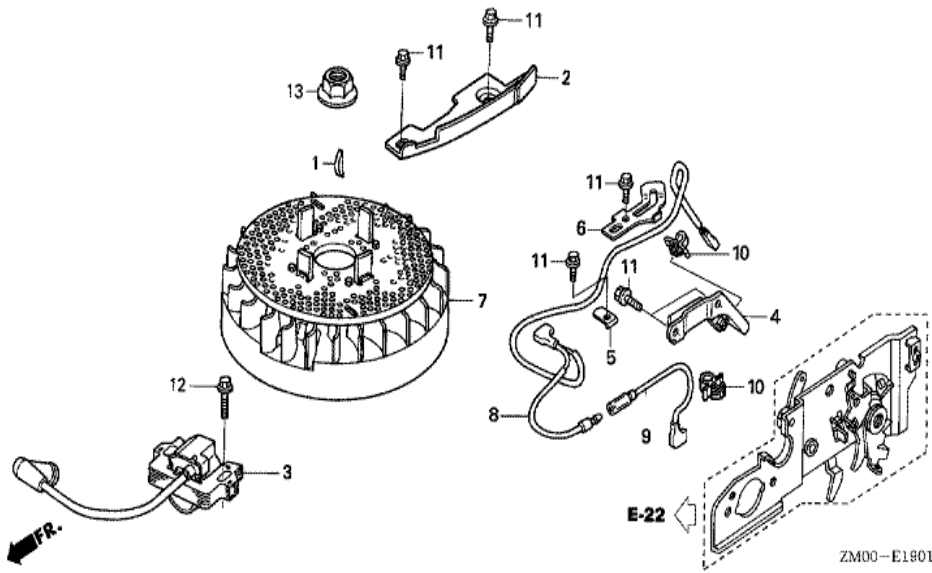
| | |
|---------------|--------------|
| GCV160A(STL1) | E-16 MUFFLER |
|---------------|--------------|



ZMC0E1600G

| <u>Ref</u> | <u>Partnumber</u> | <u>Description</u> | <u>GCV160A</u> | <u>Serial Numbers</u> |
|------------|-------------------|----------------------------|----------------|-----------------------|
| 001 | 18310-ZM0-000 | MUFFLER COMP. | 1 | |
| 001 | 18310-ZM0-000 | MUFFLER COMP. | 1 | |
| 001 | 18310-ZM0-000 | MUFFLER COMP. | 1 | |
| 002 | 18321-Z0L-J00 | PROTECTOR, MUFFLER | 1 | 2307312 |
| 002 | 18321-Z0L-J00 | PROTECTOR, MUFFLER | 1 | |
| 002 | 18321-Z0L-J00 | PROTECTOR, MUFFLER | 1 | |
| 003 | 90004-ZL8-000 | BOLT, FLANGE, 6X79 (CT200) | 2 | |
| 003 | 90004-ZL8-000 | BOLT, FLANGE, 6X79 (CT200) | 2 | |
| 004 | 90013-883-000 | BOLT, FLANGE, 6X12 (CT200) | 3 | |
| 005 | 18381-ZL8-305 | GASKET, MUFFLER | 1 | |
| 005 | 18381-ZL8-305 | GASKET, MUFFLER | (1) | |
| 009 | 18350-ZL8-000 | ARRESTER COMP., SPARK | 1 | |
| 009 | 18350-ZL8-000 | ARRESTER COMP., SPARK | (1) | |
| <u>Ref</u> | <u>Partnumber</u> | <u>Description</u> | <u>GCV160A</u> | <u>Serial Numbers</u> |
| 010 | 18356-ZL8-000 | PLATE, ARRESTER NUMBER | (1) | |
| 011 | 90055-ZE1-000 | SCREW, TAPPING, 4X6 | 1 | |
| 011 | 90055-ZE1-000 | SCREW, TAPPING, 4X6 | (1) | |
| 012 | 06180-Z0J-000 | ARRESTER KIT, SPARK | (1) | |

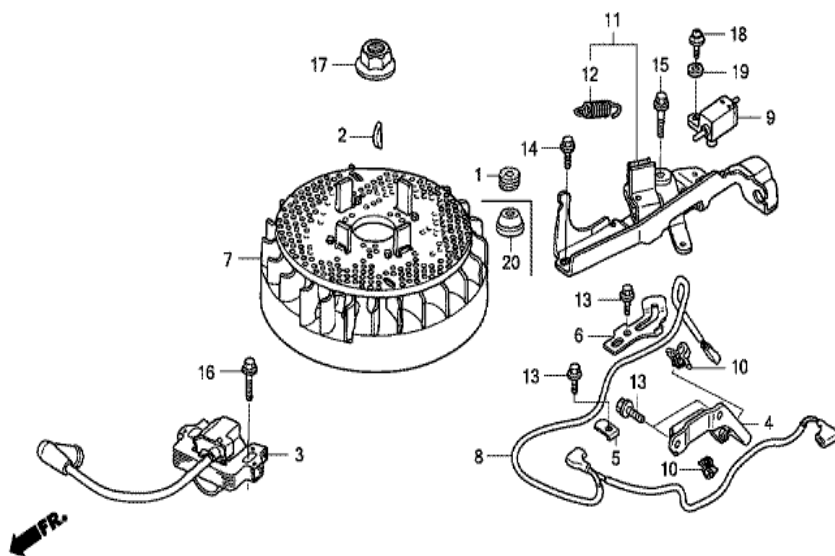
| | |
|---------------|---------------------|
| GCV160A(STL1) | E-19-1 FLYWHEEL (2) |
|---------------|---------------------|



| Ref | Partnumber | Description | GCV160A | Serial Numbers |
|-----|---------------|-----------------------|---------|----------------|
| 010 | 51125-ZOL-003 | HOLDER, WIRE (FASTEX) | 2 | |

GCV160A(STL1)

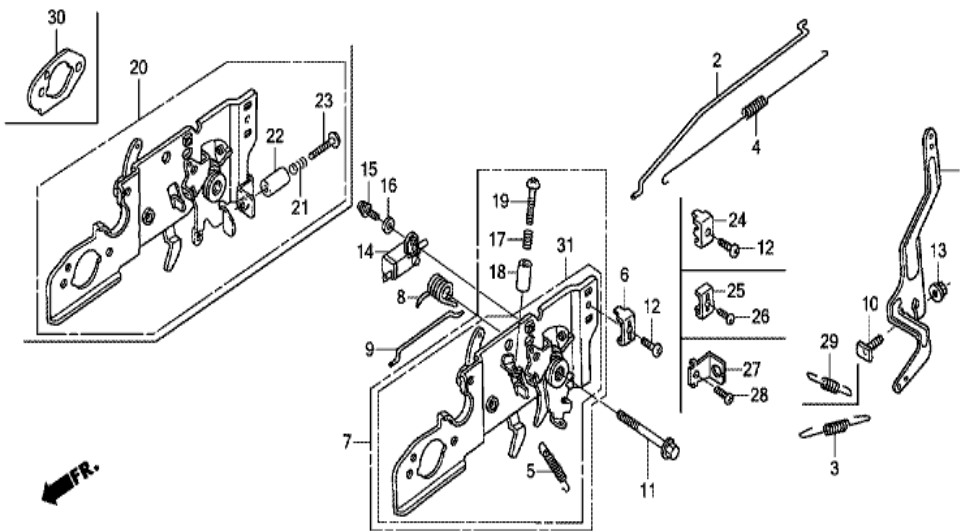
E-19-2 FLYWHEEL (3)



ZM0E1902A

| <u>Ref</u> | <u>Partnumber</u> | <u>Description</u> | <u>GCV160A</u> | <u>Serial Numbers</u> |
|------------|-------------------|---|----------------|-----------------------|
| 001 | 11344-MB0-000 | GROMMET A, RR. COVER (8X16X6.6) | 1 | |
| 002 | 13331-357-000 | KEY, SPECIAL WOODRUFF, 25X18 | 1 | |
| 003 | 30500-ZL8-004 | COIL ASSY., IGNITION (TEC) (USE FOR F/W | 1 | |
| 003 | 30500-ZL8-004 | COIL ASSY., IGNITION (TEC) (USE FOR F/W | 1 | |
| 004 | 30547-Z0L-S00 | CLAMPER, STOP SWITCH CORD | 1 | |
| 005 | 30548-ZL8-000 | CLAMPER, STOP SWITCH CORD | 1 | |
| 006 | 30549-ZL8-000 | CLAMPER, CORD | 1 | |
| 007 | 31105-ZM0-000 | FLYWHEEL ASSY. (TEC) (USE FOR IGN. COIL | 1 | |
| 007 | 31105-ZM0-000 | FLYWHEEL ASSY. (TEC) (USE FOR IGN. COIL | 2 | |
| 008 | 32195-Z0L-S00 | CORD, STOP SWITCH | 1 | |
| 008 | 32195-Z0L-S00 | CORD, STOP SWITCH | 1 | |
| 009 | 35120-ZM0-003 | SWITCH ASSY., ENGINE STOP (N.C) | 1 | |
| 010 | 51125-Z0L-003 | HOLDER, WIRE (FASTEX) | 2 | |
| <u>Ref</u> | <u>Partnumber</u> | <u>Description</u> | <u>GCV160A</u> | <u>Serial Numbers</u> |
| 010 | 51125-Z0L-003 | HOLDER, WIRE (FASTEX) | 2 | |
| 010 | 90681-959-003 | CLIP A, CABLE (NIFCO) (3.8MM BLACK) | 1 | |
| 010 | 90681-959-003 | CLIP A, CABLE (NIFCO) (3.8MM BLACK) | 1 | |
| 011 | 75110-Z0L-800 | BRAKE SUB ASSY. | 1 | |
| 012 | 75113-ZM0-000 | SPRING, BRAKE LEVER | 1 | |
| 013 | 90013-883-000 | BOLT, FLANGE, 6X12 (CT200) | 4 | |
| 014 | 90014-952-000 | BOLT, FLANGE, 6X14 (CT200) | 1 | |
| 015 | 90018-ZE1-000 | BOLT, FLANGE, 6X23 (CT200) | 1 | |
| 016 | 90022-888-010 | BOLT, FLANGE, 6X20 (CT200) | 1 | |
| 016 | 90022-888-010 | BOLT, FLANGE, 6X20 (CT200) | 1 | |
| 017 | 90201-878-003 | NUT, SPECIAL, 14MM | 1 | |
| 018 | 93892-0401200 | SCREW-WASHER, 4X12 | 1 | |
| 019 | 94103-04000 | WASHER, PLAIN, 4MM | 1 | |

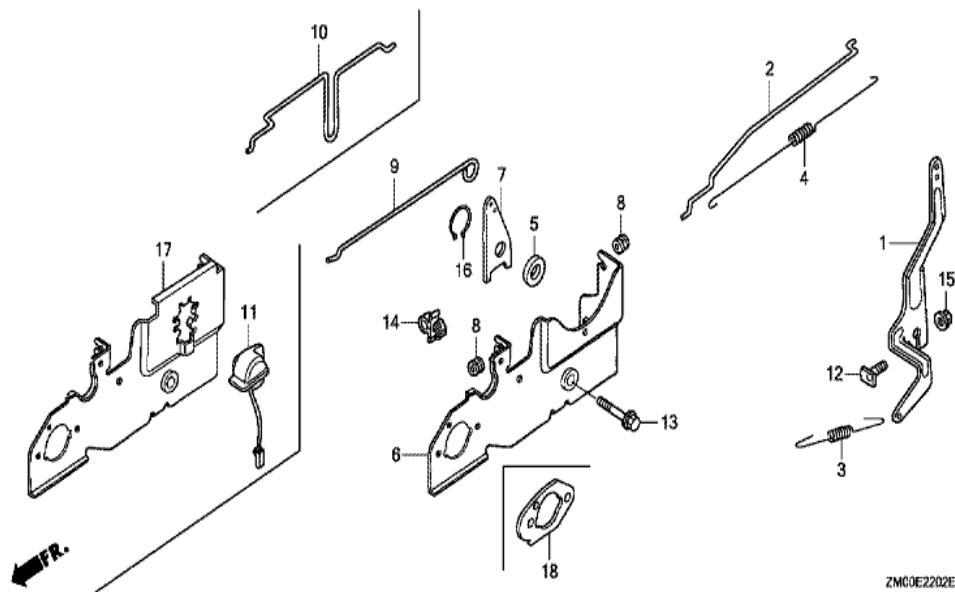
| | |
|---------------|------------------|
| GCV160A(STL1) | E-22 CONTROL (1) |
|---------------|------------------|



ZMG0E2200K

| Ref | Partnumber | Description | GCV160A | Serial Numbers |
|-----|---------------|---------------|---------|----------------|
| 002 | 16555-ZOL-801 | ROD, GOVERNOR | 1 | |
| 002 | 16555-ZOL-801 | ROD, GOVERNOR | 1 | 6349023 |

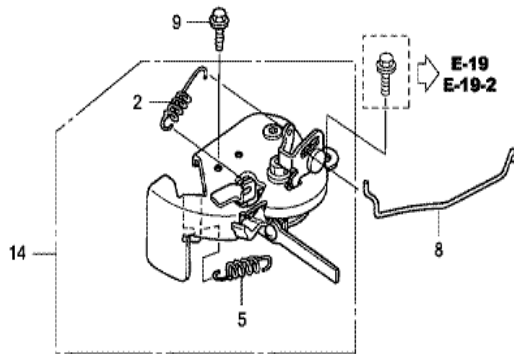
| | |
|---------------|--------------------|
| GCV160A(STL1) | E-22-2 CONTROL (3) |
|---------------|--------------------|



| Ref | Partnumber | Description | GCV160A | Serial Numbers |
|-----|---------------|----------------------------|---------|----------------|
| 001 | 16551-ZM0-010 | ARM, GOVERNOR | 1 | |
| 002 | 16555-Z0L-800 | ROD, GOVERNOR | 1 | |
| 002 | 16555-Z0L-800 | ROD, GOVERNOR | 1 | 6349022 |
| 002 | 16555-Z0L-801 | ROD, GOVERNOR | 1 | 6349023 |
| 003 | 16561-Z0L-000 | SPRING, GOVERNOR | 1 | |
| 003 | 16561-Z0L-000 | SPRING, GOVERNOR | 1 | |
| 004 | 16562-ZM0-000 | SPRING, THROTTLE RETURN | 1 | |
| 006 | 16580-Z0L-810 | BASE COMP., CONTROL | 1 | |
| 012 | 90015-ZE5-010 | BOLT, GOVERNOR ARM | 1 | |
| 013 | 90016-ZE8-000 | BOLT, FLANGE, 6X45 (CT200) | 1 | |
| 015 | 94050-06000 | NUT, FLANGE, 6MM | 1 | |

GCV160A(STL1)

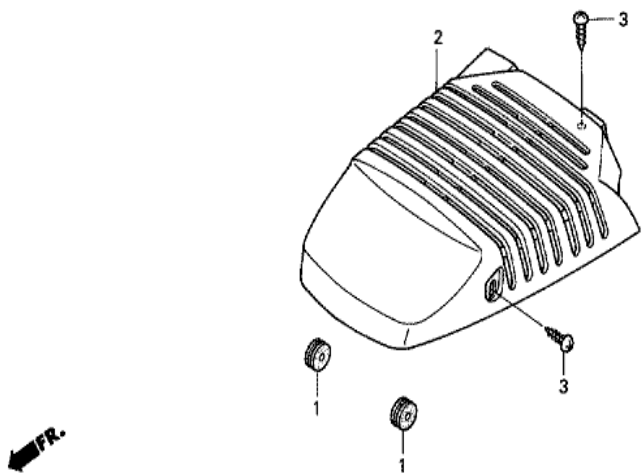
E-22-3 CHOKE BASE



ZM00E2203D

| Ref | Partnumber | Description | GCV160A | Serial Numbers |
|-----|---------------|----------------------|---------|----------------|
| 002 | 16592-Z2D-800 | SPRING, RETURN | 1 | 4361727 |
| 002 | 16592-ZJ1-000 | SPRING, CABLE RETURN | 1 | 4361726 |
| 002 | 16592-ZJ1-000 | SPRING, CABLE RETURN | 1 | 4361726 |
| 005 | 16614-Z0L-800 | SPRING, CHOKE LEVER | 1 | |
| 005 | 16614-Z0L-800 | SPRING, CHOKE LEVER | 1 | 4361726 |
| 005 | 16614-Z2D-800 | SPRING, CHOKE LEVER | 1 | 4361727 |
| 005 | 16614-Z2D-800 | SPRING, CHOKE LEVER | 1 | 4361727 |
| 008 | 16632-Z0L-800 | ROD, STOP | 1 | |
| 009 | 90022-888-000 | BOLT, FLANGE, 6X20 | 1 | |
| 014 | 16610-Z0L-800 | LEVER ASSY., CHOKE | 1 | |
| 014 | 16610-Z0L-800 | LEVER ASSY., CHOKE | 1 | 4361726 |
| 014 | 16610-Z2D-801 | LEVER ASSY., CHOKE | 1 | 4361727 |
| 014 | 16610-Z2D-801 | LEVER ASSY., CHOKE | 1 | 4361727 |

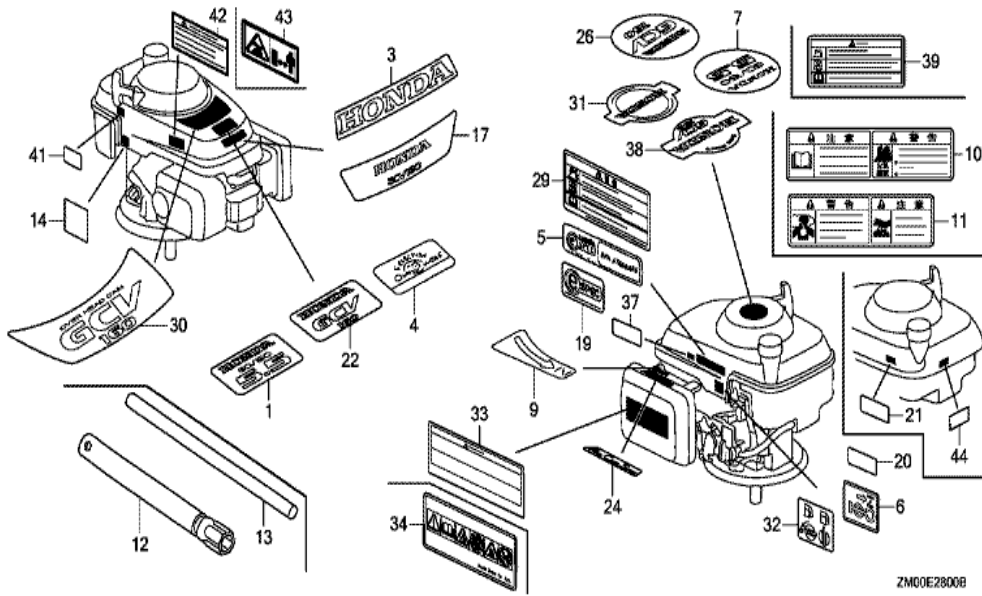
| | |
|---------------|----------------|
| GCV160A(STL1) | E-27 TOP COVER |
|---------------|----------------|



ZM00-E2700

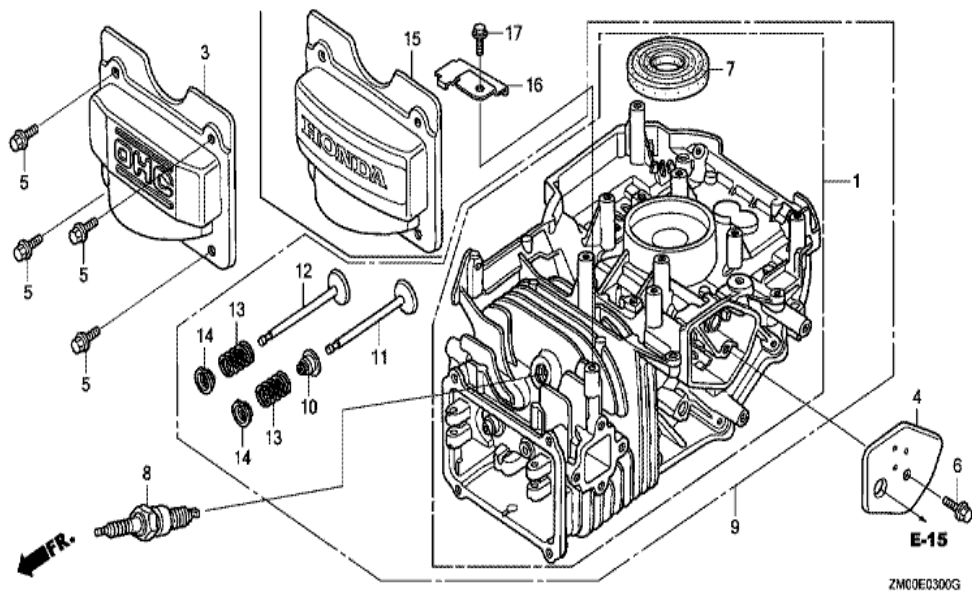
| Ref | Partnumber | Description | GCV160A | Serial Numbers |
|-----|-----------------|----------------------|---------|----------------|
| 001 | 16613-883-610 | GROMMET, CHOKE ROD | 2 | |
| 002 | 19721-Z0L-000ZA | COVER, TOP *NH1 * | 1 | |
| 003 | 90137-SH3-000 | SCREW, TAPPING, 4X16 | 3 | |

| | |
|---------------|-----------------|
| GCV160A(STL1) | E-28 LABEL/TOOL |
|---------------|-----------------|



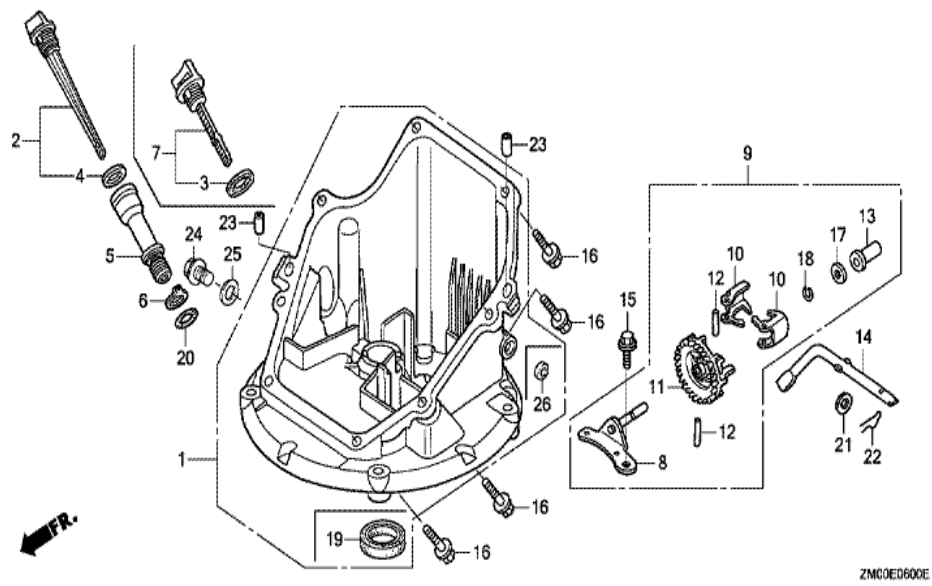
| Ref | Partnumber | Description | GCV160A | Serial Numbers |
|-----|---------------|---|---------|----------------|
| 009 | 87528-Z0L-V20 | MARK, CHOKE INDICATION | 1 | |
| 014 | 87594-VG3-010 | MARK, OIL CAUTION | 1 | |
| 020 | 87114-ZH7-821 | LABEL, WARNING (NOT CERTIFIED FOR SALE) | 1 | 2075803 |
| 020 | 87114-ZH7-821 | LABEL, WARNING (NOT CERTIFIED FOR SALE) | 1 | |

| | |
|---------------|---------------------|
| GCV160A(STL1) | E-3 CYLINDER BARREL |
|---------------|---------------------|



| Ref | Partnumber | Description | GCV160A | Serial Numbers |
|------------|-------------------|----------------------------|----------------|-----------------------|
| 003 | 12311-ZL8-000 | COVER, HEAD | 1 | |
| 003 | 12311-ZL8-000 | COVER, HEAD | 1 | |
| 004 | 12355-ZL8-000 | COVER COMP., BREATHER | 1 | |
| 005 | 90013-883-000 | BOLT, FLANGE, 6X12 (CT200) | 4 | |
| 006 | 90014-952-000 | BOLT, FLANGE, 6X14 (CT200) | 1 | |
| 007 | 91201-ZL8-003 | OIL SEAL, 25.4X62X6 | 1 | |
| 007 | 91201-ZL8-003 | OIL SEAL, 25.4X62X6 | 1 | |
| 008 | 98079-56846 | PLUG, SPARK (BPR6ES) (NGK) | 1 | |
| 008 | 98079-56846 | PLUG, SPARK (BPR6ES) (NGK) | 1 | |
| 008 | 98079-56846 | PLUG, SPARK (BPR6ES) (NGK) | 1 | 2218977 |
| 009 | 12000-ZL8-425 | BARREL ASSY., CYLINDER | 1 | |
| 009 | 12000-ZL8-425 | BARREL ASSY., CYLINDER | 1 | |
| 010 | 12209-ZM0-003 | SEAL, VALVE STEM | 1 | |
| <u>Ref</u> | <u>Partnumber</u> | <u>Description</u> | <u>GCV160A</u> | <u>Serial Numbers</u> |
| 010 | 12209-ZM0-003 | SEAL, VALVE STEM | 1 | |
| 011 | 14711-Z0J-000 | VALVE, IN. (ROCKNEL) | 1 | 6330748 |
| 011 | 14711-Z0J-800 | VALVE, IN. | 1 | |
| 011 | 14711-Z0J-800 | VALVE, IN. | 1 | 6330749 |
| 012 | 14721-ZL8-000 | VALVE, EX. (L8E) | 1 | |
| 012 | 14721-ZL8-000 | VALVE, EX. (L8E) | 1 | |
| 013 | 14751-ZL8-000 | SPRING, VALVE | 2 | |
| 014 | 14771-Z0J-000 | RETAINER, VALVE SPRING | 2 | |
| 014 | 14771-Z0J-000 | RETAINER, VALVE SPRING | 2 | |

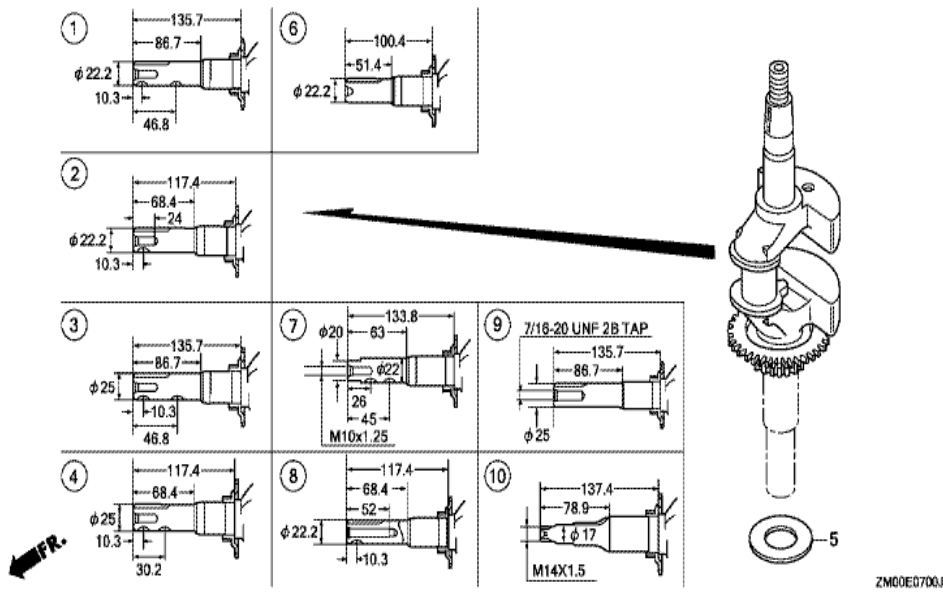
| | |
|---------------|-------------|
| GCV160A(STL1) | E-6 OIL PAN |
|---------------|-------------|



| Ref | Partnumber | Description | GCV160A | Serial Numbers |
|-----|---------------|------------------------------|---------|----------------|
| 001 | 11300-ZM0-405 | PAN ASSY., OIL | 1 | |
| 001 | 11300-ZM0-405 | PAN ASSY., OIL | 1 | 1212768 |
| 002 | 15650-ZM0-801 | GAUGE ASSY., OIL LEVEL | 1 | |
| 002 | 15650-ZM0-801 | GAUGE ASSY., OIL LEVEL | 1 | |
| 004 | 15625-ZE6-000 | PACKING, OIL FILLER CAP | 1 | |
| 005 | 15631-ZM0-000 | EXTENSION, OIL FILLER | 1 | |
| 005 | 15631-ZM0-000 | EXTENSION, OIL FILLER | 1 | |
| 006 | 15639-ZM0-000 | WASHER, EXTENSION LOCK | 1 | |
| 008 | 16508-ZM0-010 | SHAFT COMP., GOVERNOR HOLDER | 1 | |
| 008 | 16508-ZM0-010 | SHAFT COMP., GOVERNOR HOLDER | 1 | |
| 008 | 16508-ZM0-010 | SHAFT COMP., GOVERNOR HOLDER | 1 | |
| 009 | 16510-ZM0-010 | GOVERNOR ASSY. | 1 | |
| 009 | 16510-ZM0-010 | GOVERNOR ASSY. | 1 | |

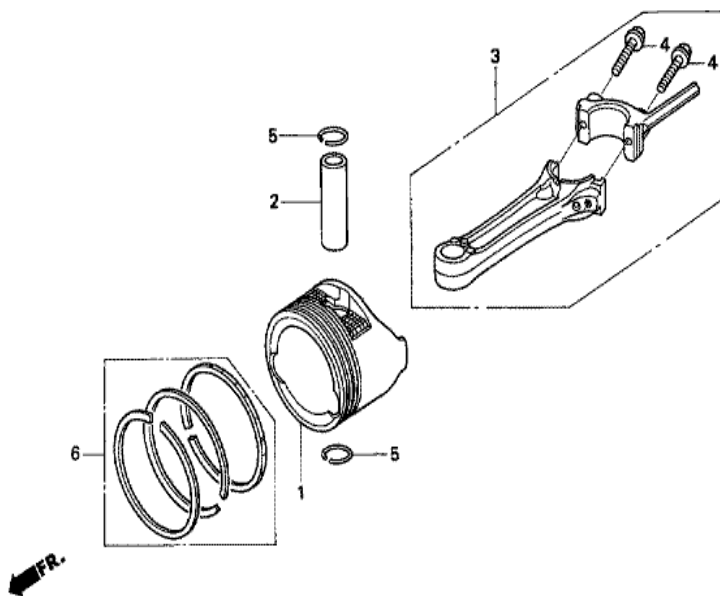
| <u>Ref</u> | <u>Partnumber</u> | <u>Description</u> | <u>GCV160A</u> | <u>Serial Numbers</u> |
|------------|-------------------|----------------------------|----------------|-----------------------|
| 009 | 16510-ZM0-010 | GOVERNOR ASSY. | 1 | |
| 010 | 16511-ZL8-000 | WEIGHT, GOVERNOR | 2 | |
| 010 | 16511-ZL8-000 | WEIGHT, GOVERNOR | 2 | |
| 011 | 16512-ZM0-000 | HOLDER, GOVERNOR WEIGHT | 1 | |
| 011 | 16512-ZM0-000 | HOLDER, GOVERNOR WEIGHT | 1 | |
| 012 | 16513-ZE1-000 | PIN, GOVERNOR WEIGHT | 2 | |
| 013 | 16531-ZE1-000 | SLIDER, GOVERNOR | 1 | |
| 013 | 16531-ZE1-000 | SLIDER, GOVERNOR | 1 | |
| 014 | 16541-ZM0-000 | SHAFT, GOVERNOR ARM | 1 | |
| 014 | 16541-ZM0-000 | SHAFT, GOVERNOR ARM | 1 | |
| 014 | 16541-ZM0-000 | SHAFT, GOVERNOR ARM | 1 | |
| 015 | 90014-952-000 | BOLT, FLANGE, 6X14 (CT200) | 1 | |
| 016 | 90121-952-000 | BOLT, FLANGE, 6X25 (CT200) | 8 | |
| 016 | 90121-952-000 | BOLT, FLANGE, 6X25 (CT200) | 8 | |
| 016 | 90121-952-000 | BOLT, FLANGE, 6X25 (CT200) | 8 | |
| 017 | 90451-ZE1-000 | WASHER, THRUST, 6MM | 1 | |
| 017 | 90451-ZE1-000 | WASHER, THRUST, 6MM | 1 | |
| 018 | 90602-ZE1-000 | CLIP, GOVERNOR HOLDER | 1 | |
| 018 | 90602-ZE1-000 | CLIP, GOVERNOR HOLDER | 1 | |
| 019 | 91202-ZL8-003 | OIL SEAL, 28X41.25X6 | 1 | |
| 020 | 91303-KF0-003 | O-RING, 14.8X2.4 (ARAI) | 1 | |
| 021 | 94101-06800 | WASHER, PLAIN, 6MM | 1 | |
| 022 | 94251-08000 | PIN, LOCK, 8MM | 1 | |
| 023 | 94301-08200 | DOWEL PIN, 8X20 | 2 | |
| 023 | 94301-08200 | DOWEL PIN, 8X20 | 2 | |

| | |
|---------------|--------------------|
| GCV160A(STL1) | E-7 CRANKSHAFT (1) |
|---------------|--------------------|



| Ref | Partnumber | Description | GCV160A | Serial Numbers |
|-----|---------------|------------------|---------|----------------|
| 005 | 90402-ZL8-000 | WASHER, THRUST | 1 | |
| 009 | 13310-ZOL-V70 | CRANKSHAFT COMP. | 1 | |
| 009 | 13310-ZOL-V70 | CRANKSHAFT COMP. | 1 | |

| | |
|---------------|---------------------------|
| GCV160A(STL1) | E-8 PISTON/CONNECTING ROD |
|---------------|---------------------------|



ZM00-B0800A

| <u>Ref</u> | <u>Partnumber</u> | <u>Description</u> | <u>GCV160A</u> | <u>Serial Numbers</u> |
|------------|-------------------|-----------------------------------|----------------|-----------------------|
| 001 | 13101-Z2A-010 | PISTON | 1 | 5383515 |
| 001 | 13101-Z2A-010 | PISTON | 1 | 3151054 |
| 001 | 13101-Z2A-010 | PISTON | 1 | 5383515 |
| 001 | 13101-ZL8-000 | PISTON | 1 | |
| 001 | 13101-ZL8-000 | PISTON | 1 | 2033972 |
| 001 | 13101-ZL8-000 | PISTON | 1 | 5383514 |
| 001 | 13101-ZL8-000 | PISTON | 1 | 5383514 |
| 002 | 13111-ZE0-000 | PIN, PISTON | 1 | |
| 002 | 13111-ZE0-000 | PIN, PISTON | 1 | |
| 002 | 13111-ZE0-000 | PIN, PISTON | 1 | |
| 002 | 13111-ZE0-000 | PIN, PISTON | 1 | |
| 003 | 13200-ZL8-000 | ROD ASSY., CONNECTING | 1 | |
| 004 | 90001-ZE1-000 | BOLT, CONNECTING ROD | 2 | |
| <u>Ref</u> | <u>Partnumber</u> | <u>Description</u> | <u>GCV160A</u> | <u>Serial Numbers</u> |
| 004 | 90001-ZE1-000 | BOLT, CONNECTING ROD | 2 | |
| 005 | 90551-ZE0-000 | CLIP, PISTON PIN, 13MM | 2 | |
| 006 | 13010-ZOL-014 | RING SET, PISTON (STD.) (TEIKOKU) | 1 | 2033979 |
| 006 | 13010-ZOL-014 | RING SET, PISTON (STD.) (TEIKOKU) | 1 | 5383515 |
| 006 | 13010-ZL8-003 | RING SET, PISTON (RIKEN) | 1 | 2033972 |
| 006 | 13010-ZL8-003 | RING SET, PISTON (RIKEN) | 1 | 5383514 |
| 006 | 13010-ZL8-024 | RING SET, PISTON (TEIKOKU) | 1 | 8024760 |
| 006 | 13010-ZL8-024 | RING SET, PISTON (TEIKOKU) | 1 | 5383514 |