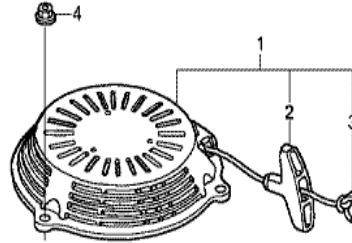
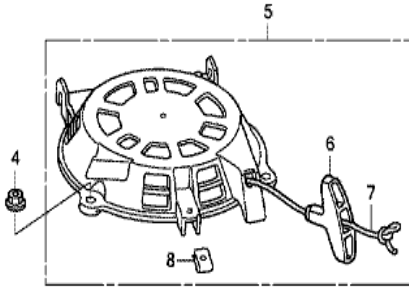


Z8D0E1000

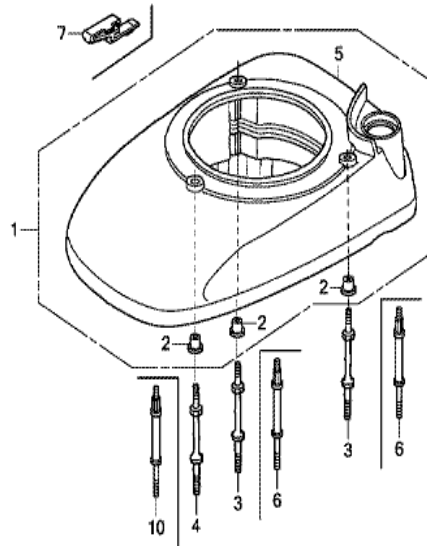
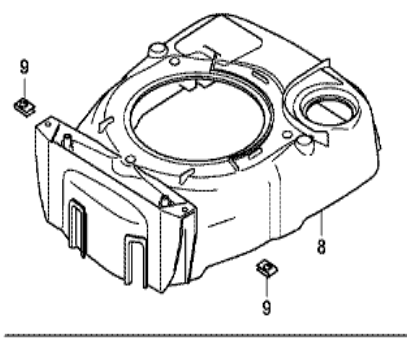
| <u>Ref</u> | <u>Partnumber</u> | <u>Description</u> | <u>GCV190LA</u> | <u>Serial Numbers</u> |
|------------|-------------------|----------------------------|-----------------|-----------------------|
| 001 | 12209-Z8B-003 | SEAL, VALVE STEM | 1 | |
| 002 | 14320-Z8D-000 | PULLEY COMP., CAMSHAFT | 1 | |
| 003 | 14324-Z8B-000 | SHAFT, CAM PULLEY | 1 | |
| 004 | 14400-Z8B-003 | BELT, TIMING (84HU6 G-200) | 1 | |
| 005 | 14431-Z0J-000 | ARM, IN. VALVE ROCKER | 1 | |
| 006 | 14441-Z0J-000 | ARM, EX. VALVE ROCKER | 1 | |
| 007 | 14461-ZL8-000 | SHAFT, ROCKER ARM | 2 | |
| 008 | 14711-Z0J-800 | VALVE, IN. | 1 | |
| 008 | 14711-ZL8-000 | VALVE, IN. (TECHNOSTAR) | 1 | |
| 009 | 14721-Z8B-000 | VALVE, EX. (C8E) | 1 | |
| 009 | 14721-ZL8-000 | VALVE, EX. (L8E) | 1 | |
| 010 | 14751-ZL8-000 | SPRING, VALVE | 2 | |
| 011 | 14771-Z0J-000 | RETAINER, VALVE SPRING | 2 | |
| <u>Ref</u> | <u>Partnumber</u> | <u>Description</u> | <u>GCV190LA</u> | <u>Serial Numbers</u> |
| 012 | 90012-333-000 | SCREW, TAPPET ADJUSTING | 2 | |
| 013 | 90206-001-000 | NUT, TAPPET ADJUSTING | 2 | |
| 014 | 91301-ZM0-V31 | O-RING, 6.8X1.9 (ARAI) | 1 | |

FR.



Z8D0E1100B

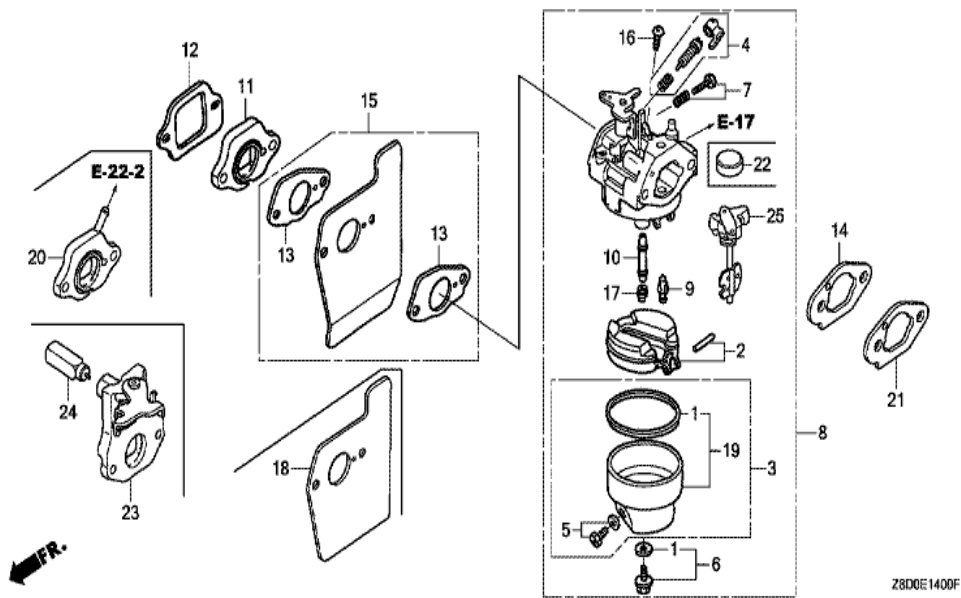
| Ref | Partnumber | Description | GCV190LA | Serial Numbers |
|-----|-----------------|--|----------|----------------|
| 001 | 28400-Z8D-911ZA | STARTER ASSY., RECOIL (SHORT ROPE) *R280 | 1 | |
| 001 | 28400-Z8D-911ZB | STARTER ASSY., RECOIL (SHORT ROPE) *NH1* | 1 | |
| 002 | 28461-ZL8-003 | GRIP, STARTER | 1 | |
| 003 | 28462-ZL8-003 | ROPE, RECOIL STARTER | 1 | |
| 004 | 90201-ZM0-000 | NUT, FLANGE, 6MM | 3 | |



Z8D0E1200E

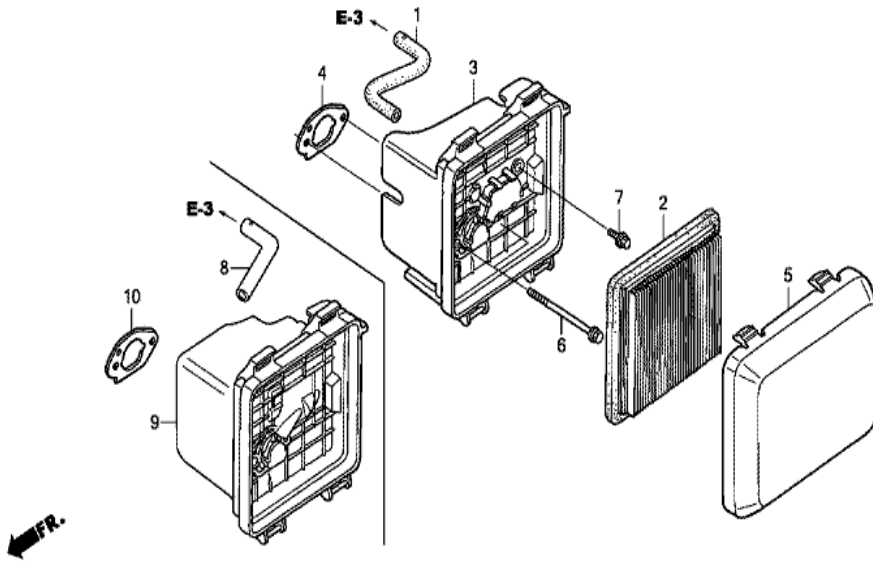


| Ref | Partnumber | Description | GCV190LA | Serial Numbers |
|-----|-----------------|----------------------------|----------|----------------|
| 005 | 19611-Z8D-900ZC | COVER, FAN *R280* | 1 | |
| 005 | 19611-Z8D-900ZD | COVER, FAN *NH1* | 1 | |
| 006 | 90043-Z8D-010 | BOLT, STUD (FAN COVER) | 2 | |
| 007 | 17516-Z8B-900ZC | CLIP, TANK MOUNTING *R280* | 1 | |
| 007 | 17516-Z8B-900ZD | CLIP, TANK MOUNTING *NH1* | 1 | |
| 010 | 90043-Z8D-010 | BOLT, STUD (FAN COVER) | 1 | |



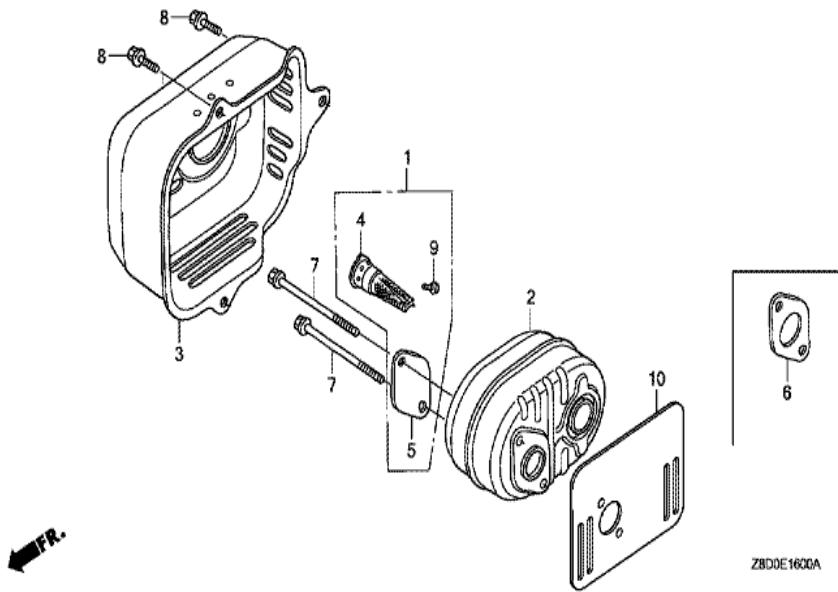
Z8D0E1400F

| <u>Ref</u> | <u>Partnumber</u> | <u>Description</u> | <u>GCV190LA</u> | <u>Serial Numbers</u> |
|------------|-------------------|----------------------------|-----------------|-----------------------|
| 001 | 16010-883-015 | PACKING SET | 1 | |
| 002 | 16013-ZL1-003 | FLOAT SET | 1 | |
| 006 | 16028-ZE0-005 | SCREW SET | 1 | |
| 008 | 16100-Z8D-911 | CARBURETOR ASSY. (BB76E A) | 1 | |
| 009 | 16155-ZM0-013 | VALVE, FLOAT | 1 | |
| 010 | 16166-Z8B-901 | NOZZLE, MAIN | 1 | |
| 011 | 16211-Z8B-000 | INSULATOR, CARBURETOR | 1 | |
| 012 | 16212-ZL8-000 | PACKING, INSULATOR | 1 | |
| 016 | 93500-050061H | SCREW, PAN, 5X6 | 1 | |
| 017 | 99101-1240550 | JET, MAIN, #55 | (1) | |
| 017 | 99101-1240580 | JET, MAIN, #58 | (1) | |
| 017 | 99101-1240600 | JET, MAIN, #60 | 1 | |
| 018 | 19651-Z0L-000 | GUIDE, AIR | 1 | |
| <u>Ref</u> | <u>Partnumber</u> | <u>Description</u> | <u>GCV190LA</u> | <u>Serial Numbers</u> |
| 019 | 16015-Z0L-881 | CHAMBER SET, FLOAT | 1 | |
| 025 | 16044-Z8B-911 | CHOKE SET | 1 | |

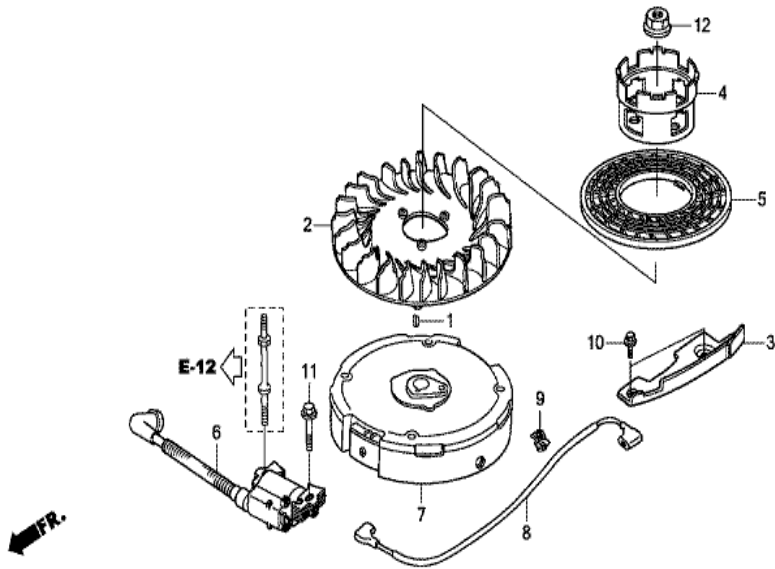


Z800E1500A

| Ref | Partnumber | Description | GCV190LA | Serial Numbers |
|-----|---------------|------------------------------------|----------|----------------|
| 002 | 17211-Z8B-901 | ELEMENT, AIR CLEANER (WIX FILTERS) | 1 | |
| 005 | 17231-Z0L-050 | COVER, AIR CLEANER | 1 | |
| 006 | 90003-Z8B-900 | BOLT, SPECIAL, 6MM | 2 | |
| 008 | 15721-Z8B-900 | TUBE, BREATHER | 1 | |
| 009 | 17221-Z8B-900 | CASE, AIR CLEANER | 1 | |
| 010 | 17228-Z8B-900 | PACKING, AIR CLEANER | 1 | |

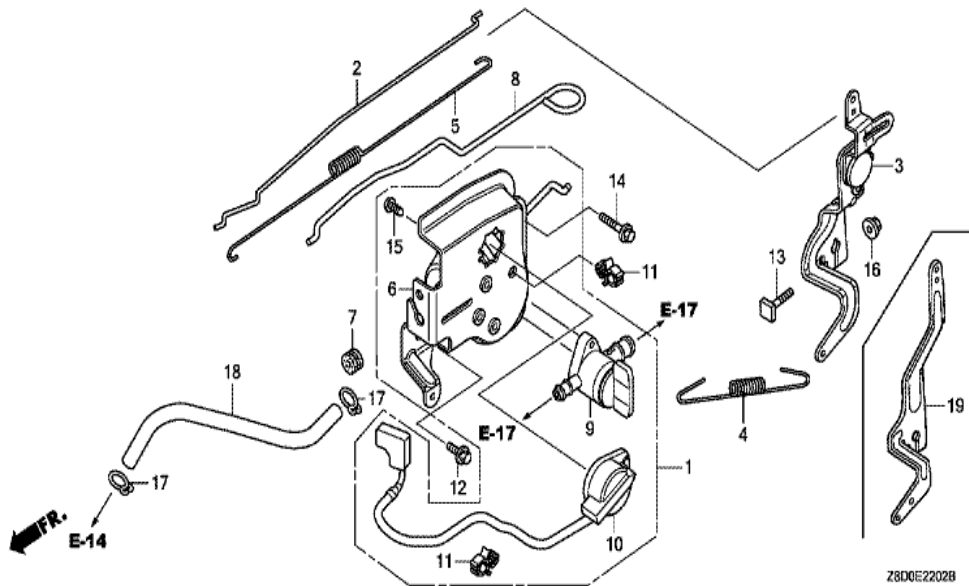


| Ref | Partnumber | Description | GCV190LA | Serial Numbers |
|-----|---------------|----------------------------|----------|----------------|
| 001 | 06180-Z0J-000 | ARRESTER KIT, SPARK | (1) | |
| 002 | 18310-Z0Y-010 | MUFFLER COMP. | 1 | |
| 003 | 18321-Z0L-010 | PROTECTOR, MUFFLER | 1 | |
| 004 | 18350-ZL8-000 | ARRESTER COMP., SPARK | (1) | |
| 005 | 18356-ZL8-000 | PLATE, ARRESTER NUMBER | (1) | |
| 006 | 18381-ZL8-305 | GASKET, MUFFLER | (1) | |
| 007 | 90004-ZL8-000 | BOLT, FLANGE, 6X79 (CT200) | 2 | |
| 008 | 90013-883-000 | BOLT, FLANGE, 6X12 (CT200) | 3 | |
| 009 | 90055-ZE1-000 | SCREW, TAPPING, 4X6 | (1) | |
| 010 | 18381-Z8D-800 | GASKET, MUFFLER | 1 | |



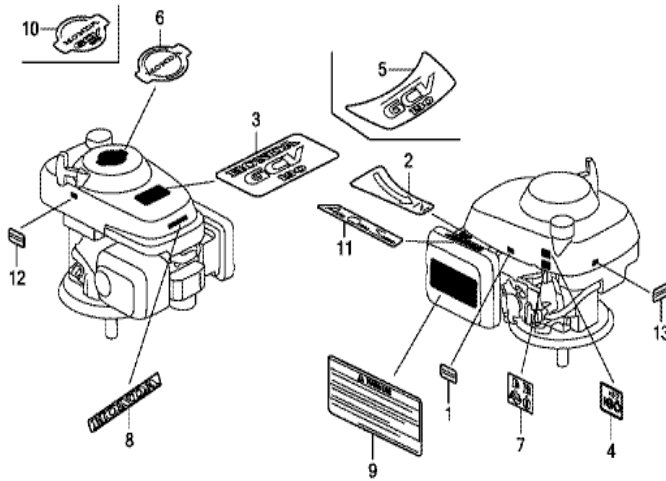
Z8D0E1901B

| Ref | Partnumber | Description | GCV190LA | Serial Numbers |
|-----|---------------|-------------------------------|----------|----------------|
| 001 | 13331-Z8B-900 | KEY, SPECIAL WOODRUFF, 25X18 | 1 | |
| 002 | 19511-Z0J-900 | FAN, COOLING | 1 | |
| 003 | 19612-Z0L-000 | PLATE, SIDE | 1 | |
| 004 | 28451-Z0J-900 | PULLEY, STARTER | 1 | |
| 006 | 30500-Z8B-912 | COIL ASSY., IGNITION (PHELON) | 1 | |
| 007 | 31110-Z8D-014 | FLYWHEEL COMP. | 1 | |
| 009 | 51125-Z0L-003 | HOLDER, WIRE (FASTEX) | 1 | |
| 010 | 90013-883-000 | BOLT, FLANGE, 6X12 (CT200) | 2 | |
| 011 | 90018-ZE1-000 | BOLT, FLANGE, 6X23 (CT200) | 1 | |
| 012 | 90201-Z0T-800 | NUT, SPECIAL, 14MM | 1 | |



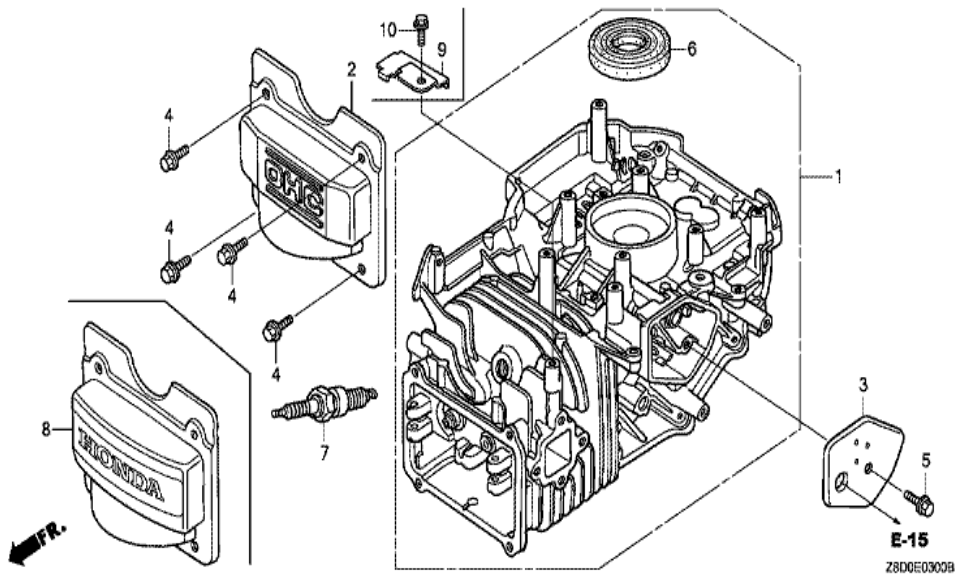
Z8D0E2202B

| <u>Ref</u> | <u>Partnumber</u> | <u>Description</u> | <u>GCV190LA</u> | <u>Serial Numbers</u> |
|------------|-------------------|----------------------------|-----------------|-----------------------|
| 002 | 16555-Z0L-801 | ROD, GOVERNOR | 1 | |
| 004 | 16561-Z8B-V30 | SPRING, GOVERNOR | 1 | |
| 005 | 16562-ZM0-000 | SPRING, THROTTLE RETURN | 1 | |
| 006 | 16581-Z8D-000 | BASE, CONTROL | 1 | |
| 007 | 16613-893-000 | GROMMET, CHOKE ROD | 1 | |
| 008 | 16674-Z8D-800 | ROD, CHOKE | 1 | |
| 009 | 16950-Z0Y-003 | COCK ASSY., FUEL | 1 | |
| 010 | 35120-Z8B-911 | SWITCH ASSY., ENGINE STOP | 1 | |
| 011 | 51125-Z0L-003 | HOLDER, WIRE (FASTEX) | 1 | |
| 012 | 90014-952-000 | BOLT, FLANGE, 6X14 (CT200) | 1 | |
| 013 | 90015-ZE5-010 | BOLT, GOVERNOR ARM | 1 | |
| 014 | 90017-883-000 | BOLT, FLANGE, 6X32 (CT200) | 1 | |
| 015 | 93913-25220 | SCREW, TAPPING, 5X12 (PO) | 1 | |
| <u>Ref</u> | <u>Partnumber</u> | <u>Description</u> | <u>GCV190LA</u> | <u>Serial Numbers</u> |
| 016 | 94050-06000 | NUT, FLANGE, 6MM | 1 | |
| 019 | 16551-ZM0-010 | ARM, GOVERNOR | 1 | |

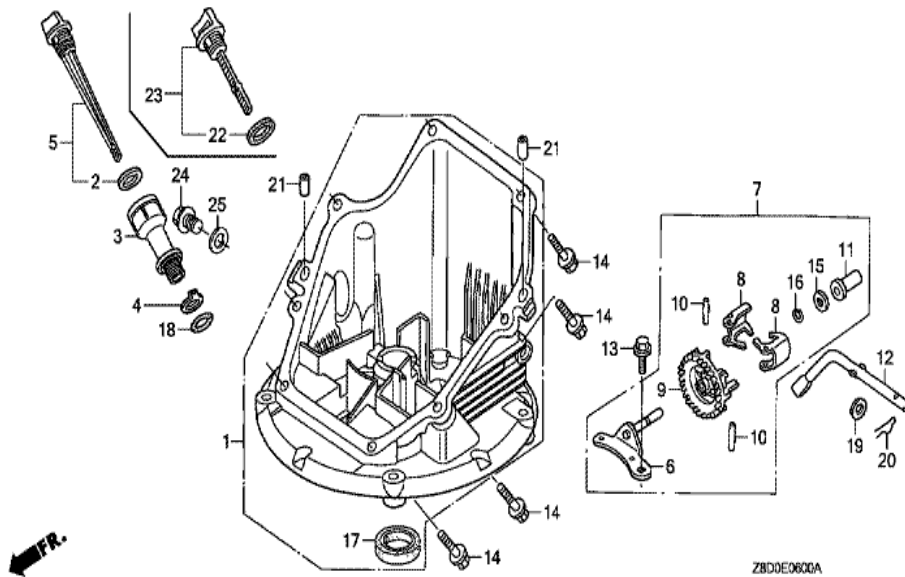


Z8D0E2800G

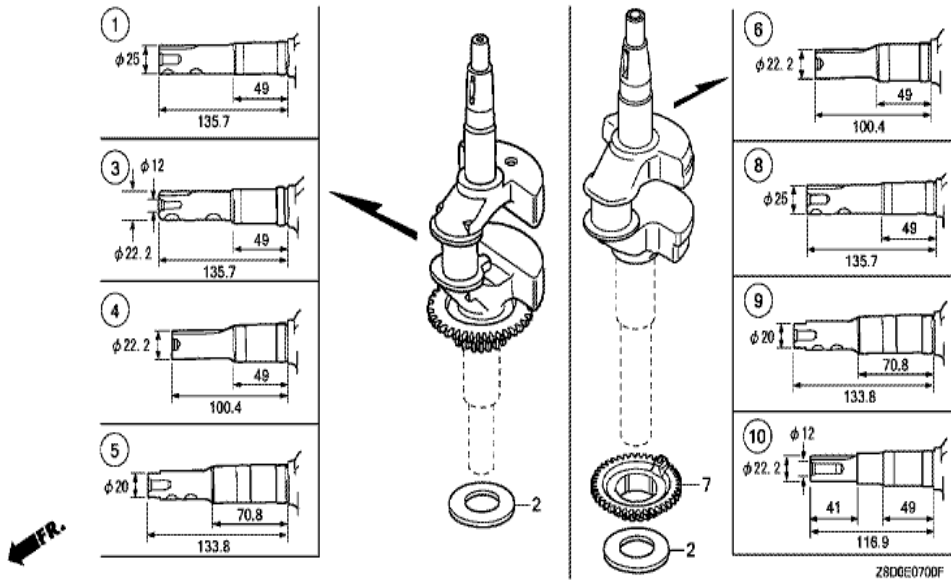
| Ref | Partnumber | Description | GCV190LA | Serial Numbers |
|-----|---------------|----------------------------------|----------|----------------|
| 004 | 87528-ZL8-000 | MARK, CHOKE | 1 | |
| 005 | 87101-Z8D-910 | MARK, EMBLEM (GCV190) | 1 | |
| 006 | 87169-Z8E-000 | MARK, RECOIL COVER | 1 | |
| 007 | 87524-Z8B-000 | MARK, FUEL COCK CAUTION | 1 | |
| 009 | 87516-ZOJ-000 | MARK, OPERATOR CAUTION (ENGLISH) | 1 | |
| 012 | 87114-ZH7-860 | LABEL, WARNING | 1 | |



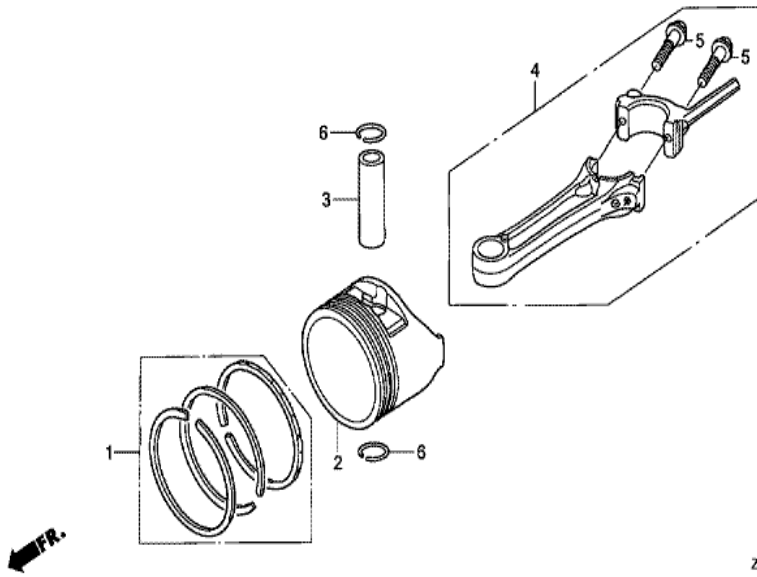
| Ref | Partnumber | Description | GCV190LA | Serial Numbers |
|-----|---------------|----------------------------|----------|----------------|
| 001 | 12000-Z8D-405 | BARREL ASSY., CYLINDER | 1 | |
| 003 | 12355-ZL8-000 | COVER COMP., BREATHER | 1 | |
| 004 | 90013-883-000 | BOLT, FLANGE, 6X12 (CT200) | 4 | |
| 005 | 90014-952-000 | BOLT, FLANGE, 6X14 (CT200) | 1 | |
| 006 | 91201-Z0Y-003 | OIL SEAL, 25.4X62X6 | 1 | |
| 007 | 98079-56846 | PLUG, SPARK (BPR6ES) (NGK) | 1 | |
| 008 | 12311-Z8B-000 | COVER, HEAD | 1 | |



| <u>Ref</u> | <u>Partnumber</u> | <u>Description</u> | <u>GCV190LA</u> | <u>Serial Numbers</u> |
|------------|-------------------|------------------------------|-----------------|-----------------------|
| 001 | 11300-Z8D-406 | PAN ASSY., OIL | 1 | |
| 006 | 16508-Z8B-003 | SHAFT COMP., GOVERNOR HOLDER | 1 | |
| 007 | 16510-Z8B-000 | GOVERNOR ASSY. | 1 | |
| 008 | 16511-ZL8-000 | WEIGHT, GOVERNOR | 2 | |
| 009 | 16512-ZM0-000 | HOLDER, GOVERNOR WEIGHT | 1 | |
| 010 | 16513-ZE1-000 | PIN, GOVERNOR WEIGHT | 2 | |
| 011 | 16531-ZE1-000 | SLIDER, GOVERNOR | 1 | |
| 012 | 16541-Z8B-000 | SHAFT, GOVERNOR ARM | 1 | |
| 013 | 90014-952-000 | BOLT, FLANGE, 6X14 (CT200) | 1 | |
| 014 | 90121-952-000 | BOLT, FLANGE, 6X25 (CT200) | 8 | |
| 015 | 90451-ZE1-000 | WASHER, THRUST, 6MM | 1 | |
| 016 | 90602-ZE1-000 | CLIP, GOVERNOR HOLDER | 1 | |
| 017 | 91202-ZM0-V31 | OIL SEAL, 28X41.25X6 (NOK) | 1 | |
| <u>Ref</u> | <u>Partnumber</u> | <u>Description</u> | <u>GCV190LA</u> | <u>Serial Numbers</u> |
| 019 | 94101-06800 | WASHER, PLAIN, 6MM | 1 | |
| 020 | 94251-08000 | PIN, LOCK, 8MM | 1 | |
| 021 | 90701-Z8B-000 | DOWEL PIN, 8X20 | 2 | |
| 022 | 15625-Z2L-801 | PACKING, OIL FILLER CAP | 1 | |
| 023 | 15650-Z0L-000 | GAUGE ASSY., OIL LEVEL | 1 | |



| Ref | Partnumber | Description | GCV190LA | Serial Numbers |
|-----|---------------|---------------------------|----------|----------------|
| 002 | 90402-Z0Y-000 | WASHER, THRUST | 1 | |
| 006 | 13311-Z8D-910 | CRANKSHAFT | 1 | |
| 007 | 13621-Z8B-900 | PULLEY, TIMING BELT DRIVE | 1 | |



Z8D0E0800

| Ref | Partnumber | Description | GCV190LA | Serial Numbers |
|-----|---------------|-----------------------------------|----------|----------------|
| 001 | 13010-Z0Y-014 | RING SET, PISTON (STD.) (TEIKOKU) | 1 | |
| 002 | 13101-Z8D-820 | PISTON | 1 | |
| 003 | 13111-Z8D-000 | PIN, PISTON | 1 | |
| 004 | 13200-Z0Y-010 | ROD ASSY., CONNECTING | 1 | |
| 005 | 90006-Z8B-000 | BOLT, CONNECTING ROD | 2 | |
| 006 | 90551-ZE0-000 | CLIP, PISTON PIN, 13MM | 2 | |