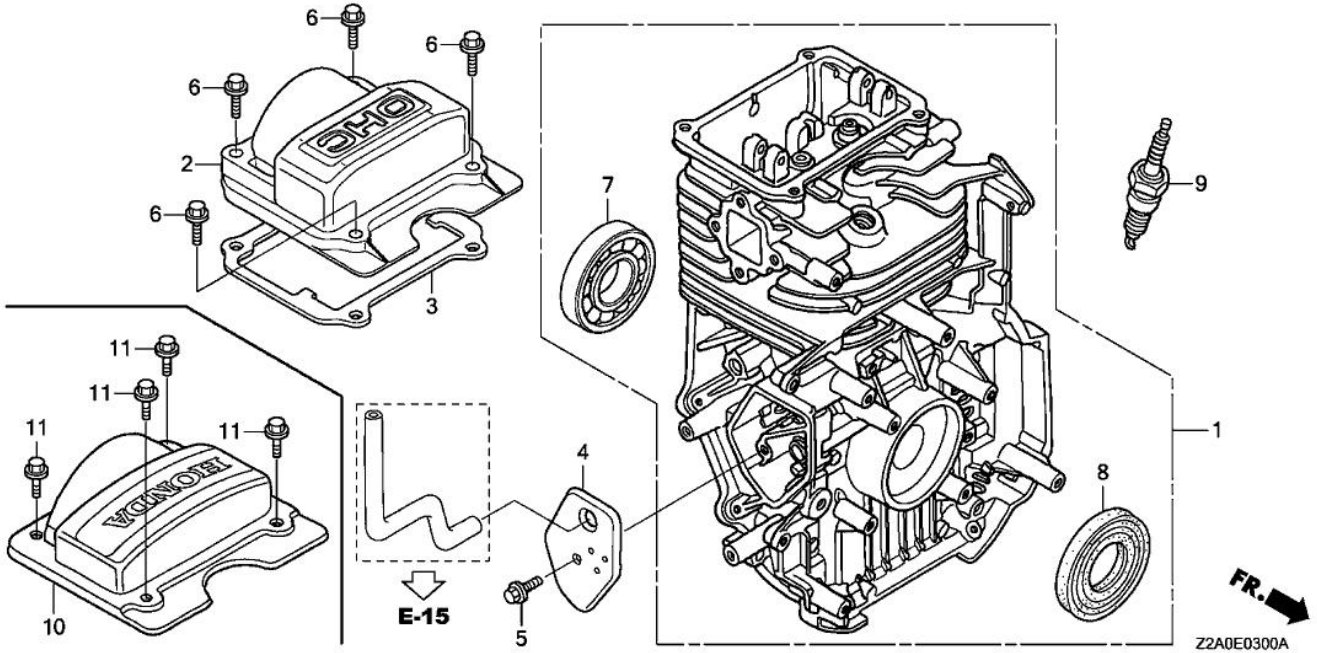
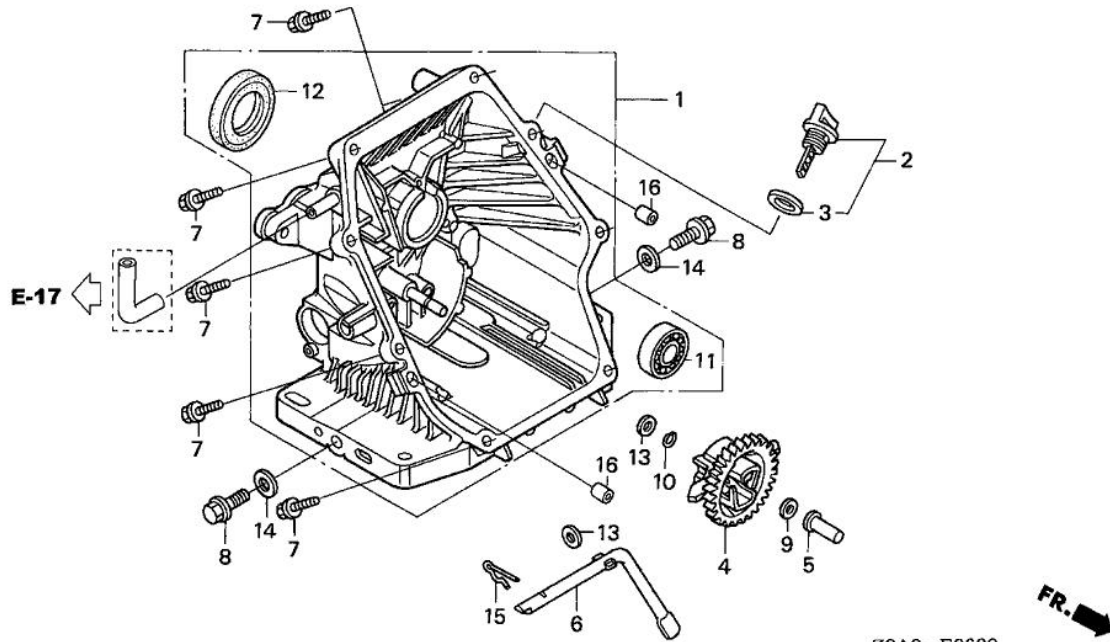


TRU-POWER, INC.

Model Name	GS160LA	Product Line	GENERAL PURPOSE ENGINE
Mfg	USA	Type	QHAF
Section	ENGINE	Illustration	CYLINDER BARREL

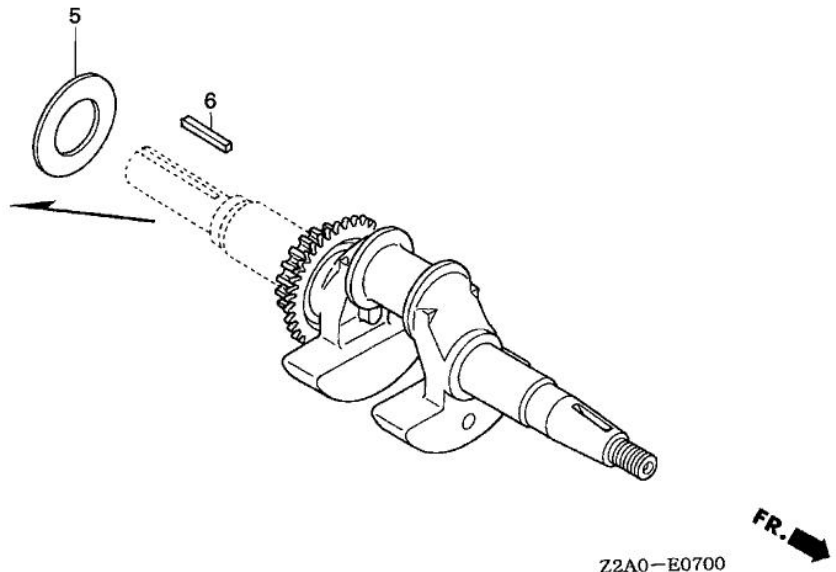
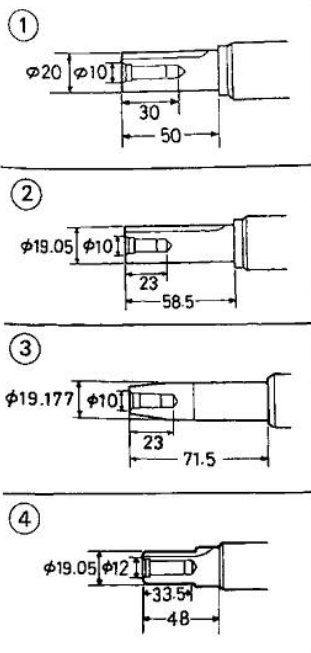


Ref.	Part Number	Part Description	Qty.
001	12000-Z2A-0000	CYLINDER ASSY.	001
004	12355-ZL8-000	COVER, BREATHER (BREATHER VALVE ASSY.)	001
005	90014-952-000	BOLT, FLANGE (6X14) (CT200)	001
007	91001-894-004	BEARING, RADIAL BALL	001
008	91201-Z2A-003	OIL SEAL (25.4X74X6)	001
009	98079-56846	SPARK PLUG (BPR6ES) (NGK)	001
010	12310-Z8A-000	COVER, CYLINDER HEAD	001
011	90013-883-000	BOLT, FLANGE (6X12) (CT200)	004



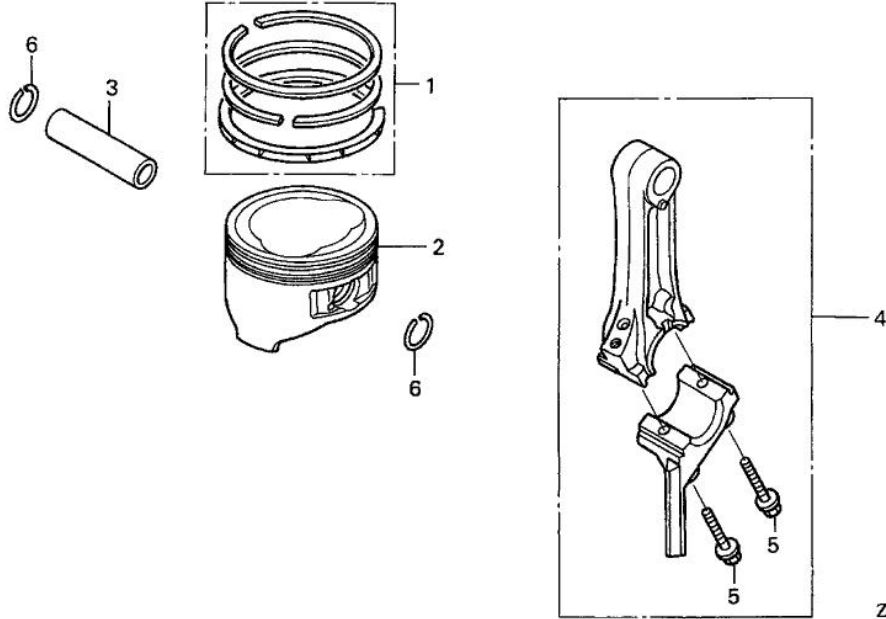
Z2A0-E0600

Ref.	Part Number	Part Description	Qty.
001	11300-Z2A-660	COVER ASSY,CRANKCASE	001
002	15600-ZF0-003	CAP ASSY., OIL FILLER	001
003	15625-ZE1-003	GASKET, OIL FILLER CAP	001
004	16510-ZL8-000	GOVERNOR ASSY.	001
005	16531-ZE1-000	SLIDER, GOVERNOR	001
006	16541-Z8A-000	SHAFT, GOVERNOR ARM	001
007	90121-952-000	BOLT, FLANGE (6X25) (CT200)	008
008	90131-896-650	BOLT, DRAIN PLUG (12X15)	002
009	90451-ZE1-000	WASHER, THRUST (6MM)	001
010	90602-ZE1-000	CLIP, GOVERNOR HOLDER	001
011	91001-ZL8-003	BEARING, RADIAL BALL (62/28)	001
012	91202-ZL8-003	OIL SEAL (28X41.25X6)	001
013	94101-06800	WASHER, PLAIN (6MM)	002
014	94109-12000	WASHER, DRAIN PLUG (12MM)	002
015	94251-08000	PIN, LOCK (8MM)	001
016	90701-Z8B-000	PIN, DOWEL (8X20)	002

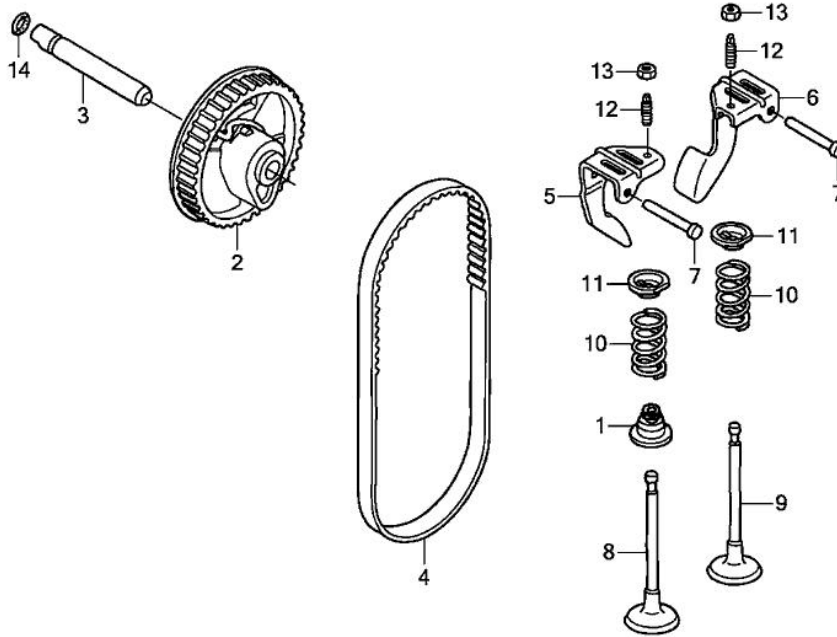


Z2A0-E0700

Ref.	Part Number	Part Description	Qty.
002	06131-Z8A-W00	CRANKSHAFT KIT	001
005	90402-ZL8-000	WASHER, THRUST	001

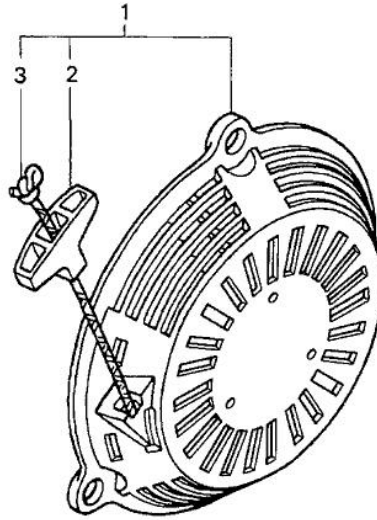


Ref.	Part Number	Part Description	Qty.
001	13010-Z2A-014	RING SET, PISTON (STD) (TPR)	001
002	13101-Z8B-820	PISTON	001
003	13111-ZE0-000	PIN, PISTON	001
004	13200-Z0J-000	ROD ASSY., CONNECTING	001
005	90006-Z8B-000	BOLT, CONNECTING ROD	002
006	90551-ZE0-000	CLIP, PISTON PIN (13MM)	002



Z2A0E0900A

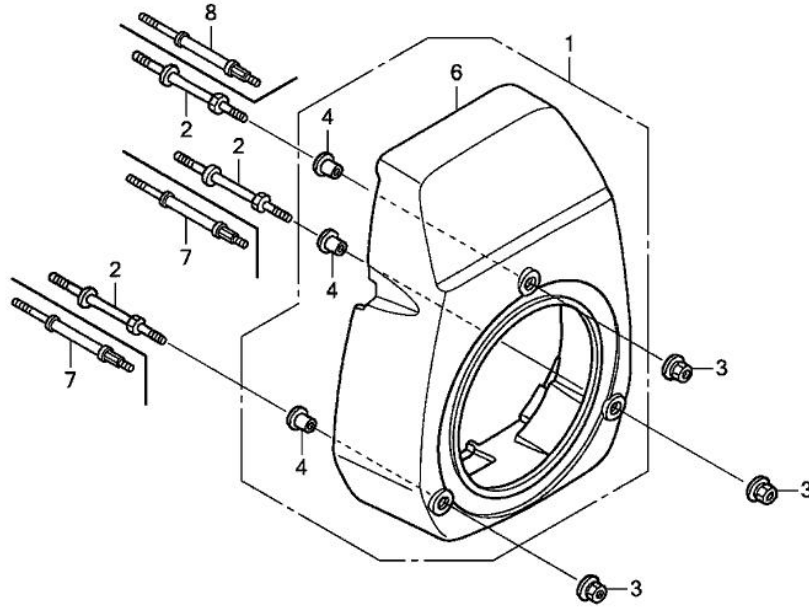
Ref.	Part Number	Part Description	Qty.
001	12209-Z8B-003	SEAL, VALVE STEM	001
002	14320-ZL8-010	PULLEY, CAMSHAFT	001
003	14324-Z8B-000	SHAFT, CAM PULLEY	001
004	14400-Z8B-003	BELT, TIMING (84HU6 G-200)	001
005	14431-Z0J-000	ARM, IN. VALVE ROCKER	001
006	14441-Z0J-000	ARM, EX. VALVE ROCKER	001
007	14461-ZL8-000	SHAFT, ROCKER ARM	002
008	14711-ZL8-000	VALVE, IN. (TECHNOSTAR)	001
009	14721-ZL8-000	VALVE, EX. (L8E)	001
009	14721-Z8B-000	VALVE, EX. (C8E)	001
010	14751-ZL8-000	SPRING, VALVE	002
011	14771-Z0J-000	RETAINER, VALVE SPRING	002
012	90012-333-000	SCREW, TAPPET ADJUSTING	002
013	90206-001-000	NUT, TAPPET ADJUSTING	002
014	91301-ZM0-V31	O-RING (6.8X1.9) (ARAI)	001



Z2A0-E1100

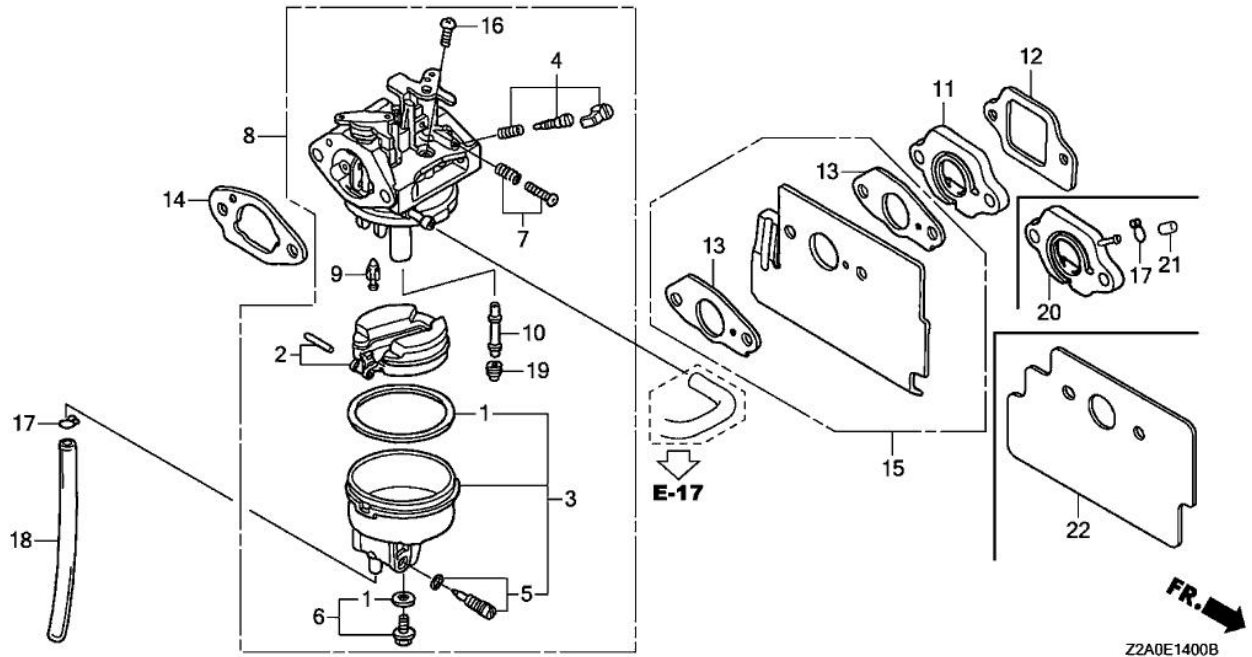


Ref.	Part Number	Part Description	Qty.
001	28400-Z8A-003ZC	STARTER ASSY., RECOIL *NH1* (SHORT ROPE)(BLACK)	001
002	28461-ZL8-003	GRIP, STARTER	001
003	28462-ZL8-003	ROPE, RECOIL STARTER	001

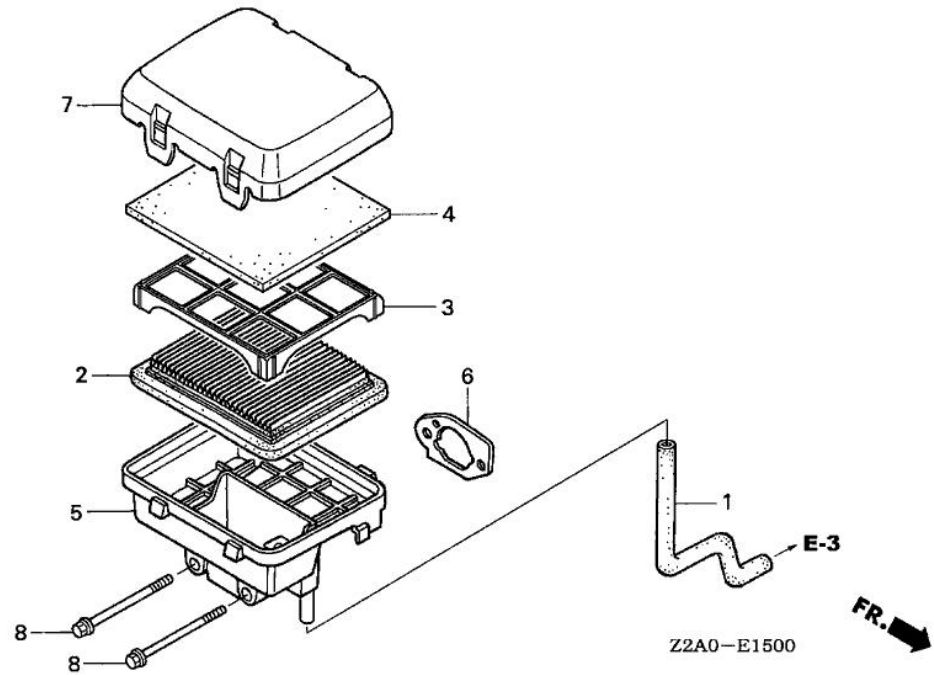


Z2A0E1200B

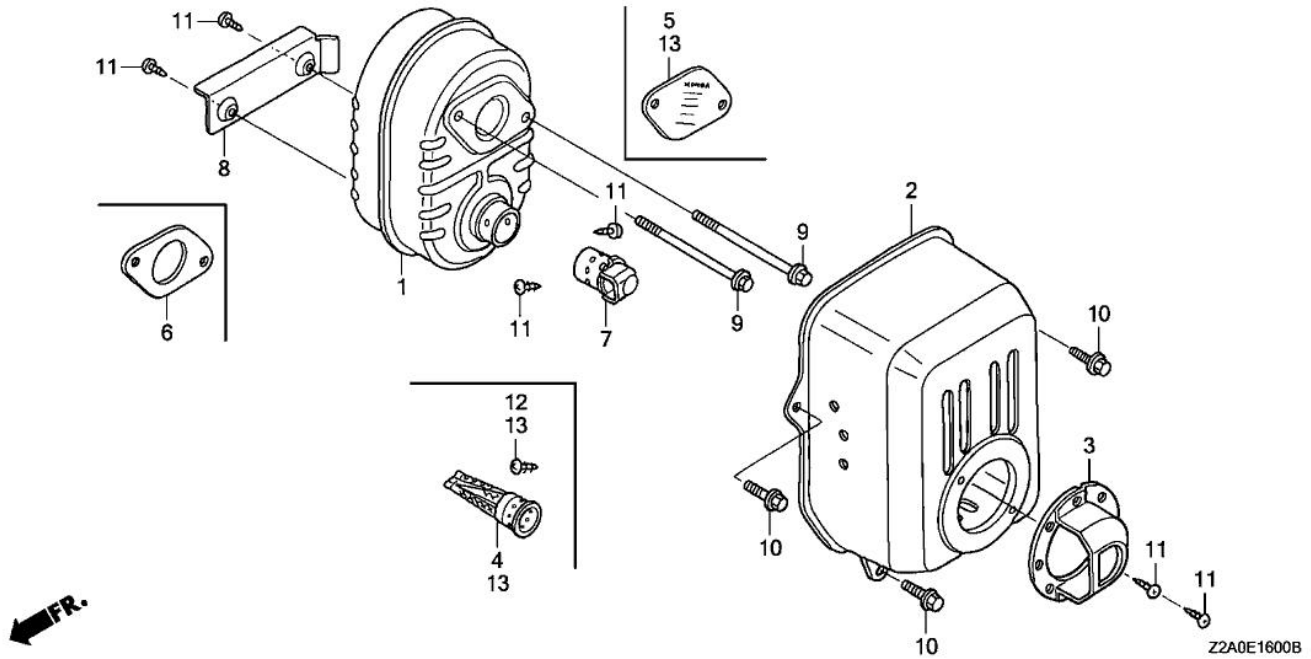
Ref.	Part Number	Part Description	Qty.
003	90201-ZM0-000	NUT, FLANGE (6MM)	003
006	19611-Z0J-901ZA	COVER, FAN *NH1*(BLACK)	001
007	90043-Z8D-000	BOLT, STUD (FAN COVER)	002
008	90043-Z8D-901	BOLT, STUD (FAN COVER)	001



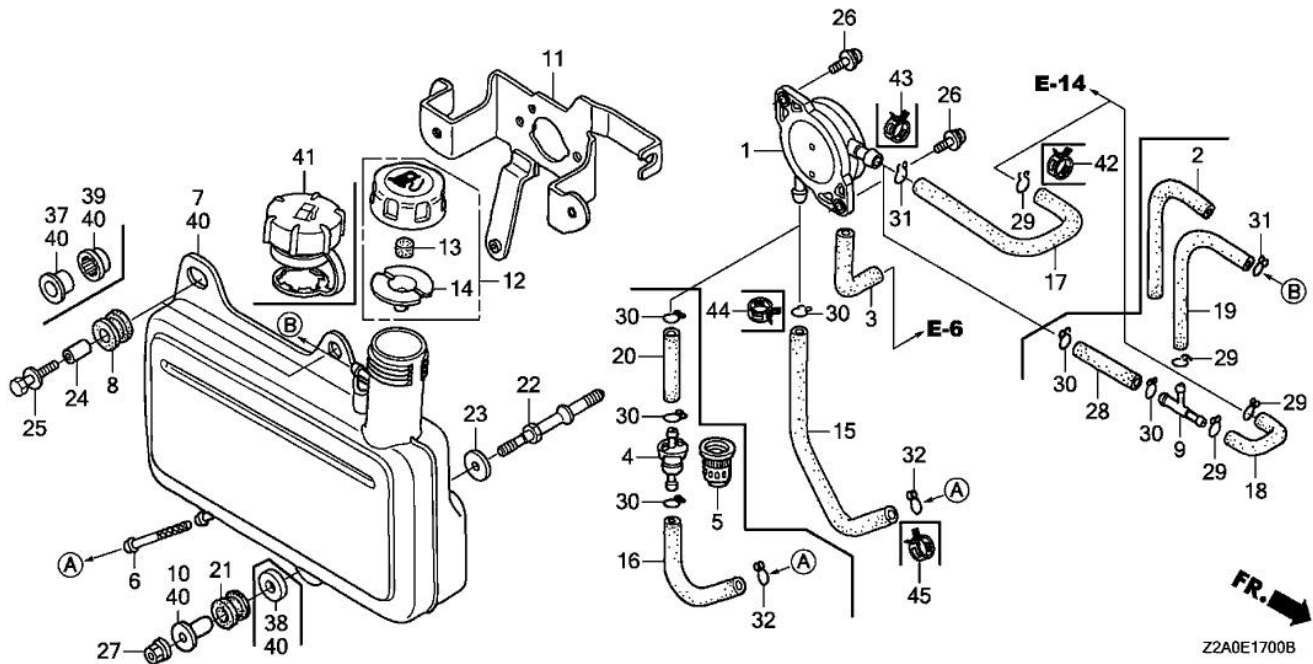
Ref.	Part Number	Part Description	Qty.
001	16010-883-015	GASKET SET	001
002	16013-ZL1-003	FLOAT SET	001
003	16015-ZL8-003	CHAMBER SET, FLOAT	001
004	16016-ZG0-W00	SCREW SET (CARBURETOR NO.)	001
005	16024-124-760	SCREW SET, DRAIN	001
006	16028-ZE0-005	SCREW SET	001
006	16028-ZK7-S91	SCREW SET	001
007	16029-ZG0-901	SCREW SET (THROTTLE STOP) (CARBURETOR NO.)	001
008	16100-Z2A-023	CARBURETOR ASSY. (BB61F C)	001
009	16155-ZL8-013	VALVE, FLOAT (CARBURETOR NO.)	001
010	16166-Z2A-003	NOZZLE, MAIN	001
011	16211-ZL8-000	INSULATOR, CARBURETOR	001
012	16212-ZL8-000	GASKET, INSULATOR	001
014	16228-ZL8-000	GASKET, CARBURETOR	001
016	93500-05006-0H	SCREW, PAN (5X6)	001
017	95002-02650	CLIP, TUBE (B6.5)	001
018	95003-07008-60M	BULK HOSE, VINYL (4X7X8000) OEM CUT SIZE: (4X7X150)	001
019	99101-124-0600	JET, MAIN (#60)	(1)
019	99101-124-0620	JET, MAIN (#62)	(1)
019	99101-124-0650	JET, MAIN (#65)	001
022	19651-Z0J-000	GUIDE, AIR	001



Ref.	Part Number	Part Description	Qty.
001	15721-ZL8-000	TUBE, BREATHER	001
002	17211-ZL8-023	ELEMENT, AIR CLEANER (TOYO ROKI)	001
003	17212-Z2A-010	GRID, AIR CLEANER	001
004	17218-Z2A-000	FILTER (OUTER) (WET)	001
005	17220-ZL8-010	HOUSING, AIR CLEANER	001
005	17220-ZL8-020	HOUSING, AIR CLEANER	001
006	17228-Z8A-000	GASKET, AIR CLEANER	001
007	17231-Z2A-020	COVER, AIR CLEANER (DUAL)	001
008	90003-ZL8-000	BOLT, FLANGE (6X112) (CT200)	002



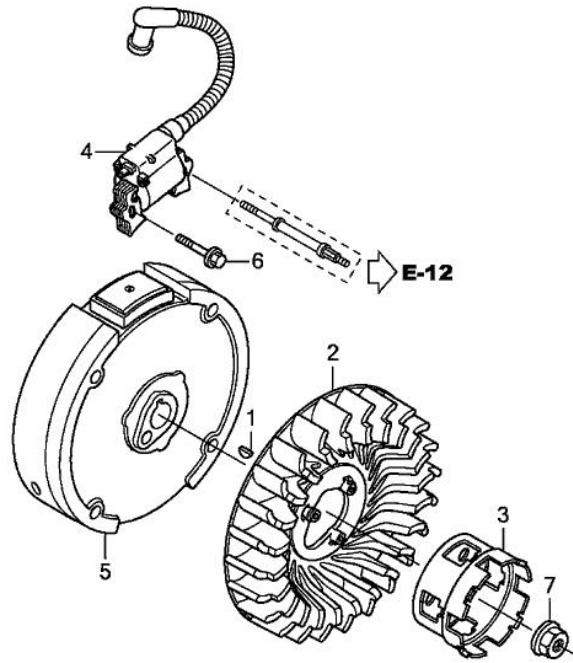
Ref.	Part Number	Part Description	Qty.
001	18310-Z0Y-000	MUFFLER	001
002	18321-Z0L-010	PROTECTOR, MUFFLER	001
004	18350-ZL8-000	ARRESTER, SPARK	(1)
005	18356-ZL8-000	PLATE, ARRESTER NUMBER	(1)
006	18381-ZL8-305	GASKET, MUFFLER	(1)
009	90004-ZL8-000	BOLT, FLANGE (6X79) (CT200)	002
010	90013-883-000	BOLT, FLANGE (6X12) (CT200)	003
012	90055-ZE1-000	SCREW, TAPPING (4X6)	(1)
013	06180-Z0J-000	ARRESTER KIT, SPARK	(1)



Z2A0E1700B

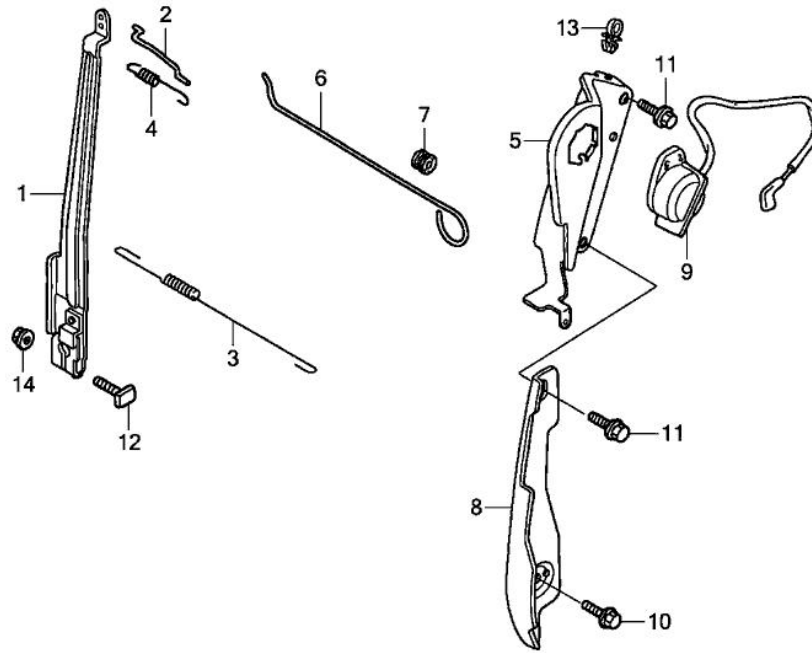
Ref.	Part Number	Part Description	Qty.
001	16700-Z0J-003	PUMP ASSY., FUEL	001
003	16882-ZL8-000	TUBE, DIAPHRAGM	001
006	16952-Z8B-000	FILTER, FUEL	001
007	17511-Z8A-800	TANK, FUEL	001
010	17535-KE7-000	COLLAR, FUEL TANK SETTING	001
011	17561-Z0J-000	STAY A, FUEL TANK	001
015	17701-Z8A-003	TUBE, FUEL TANK (FKM)	001
017	17702-Z8A-003	TUBE, FUEL (FKM)	001
022	90041-ZL8-000	BOLT, FUEL TANK STUD (H=30MM)	001
023	90473-896-000	WASHER (6MM)	001
025	93404-06025-00	BOLT-WASHER (6X25)	002
026	93894-05014-00	SCREW-WASHER (5X14)	002
027	94050-06000	NUT, FLANGE (6MM)	001
037	17518-Z8A-800	COLLAR, TANK SET	002
038	17532-Z8A-800	RUBBER A, TANK MOUNTING	001
039	17533-Z8A-800	RUBBER B, TANK MOUNTING	002
040	06175-Z8A-800	TANK KIT, FUEL	(1)
041	17620-Z0J-800	CAP ASSY., FUEL TANK	001
042	95002-40800-08	CLAMP, TUBE (D8)	001
043	95002-40850-08	CLAMP, TUBE (D8.5)	001
044	95002-41000-08	CLAMP, TUBE (D10)	001
045	95002-41200-08	CLAMP, TUBE (D12)	001

(NA USE ALT: 17701-ZL8-000)



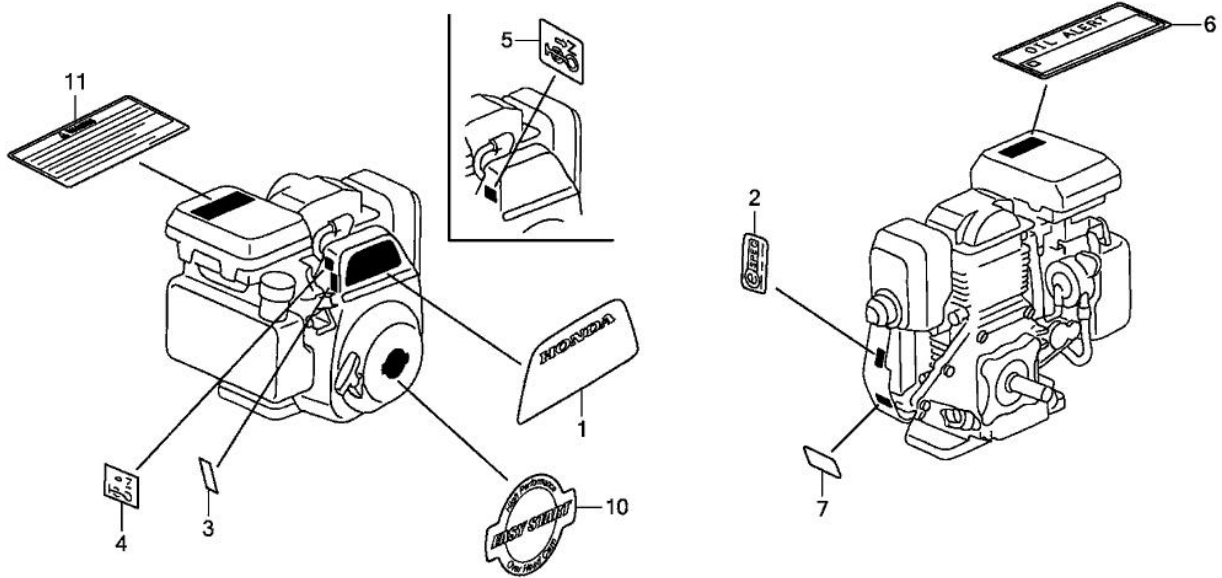
Z2A0E1901

Ref.	Part Number	Part Description	Qty.
001	13331-357-000	KEY, SPECIAL WOODRUFF (25X18)	001
002	19511-ZE1-000	FAN, COOLING	001
003	28451-Z0J-900	PULLEY, STARTER	001
004	30500-Z0J-004	COIL ASSY., IGNITION (TOYO)	001
005	31110-Z0J-004	FLYWHEEL	001
005	31110-Z0J-014	FLYWHEEL	001
006	90018-ZE1-000	BOLT, FLANGE (6X23) (CT200)	001
007	90201-Z0T-800	NUT, SPECIAL (14MM)	001



FR. 
Z2A0E2205A

Ref.	Part Number	Part Description	Qty.
001	16551-ZL8-010	ARM, GOVERNOR	001
002	16555-ZL8-000	ROD, GOVERNOR	001
003	16561-Z0J-000	SPRING, GOVERNOR	001
004	16562-ZL8-800	SPRING, THROTTLE RETURN	001
005	16581-Z0J-800	BASE, CONTROL	001
006	16611-ZL8-000	ROD, CHOKE CONTROL	001
007	16613-893-000	GROMMET, CHOKE ROD	001
008	19612-Z0L-000	PLATE, SIDE	001
009	35120-Z1A-901	SWITCH ASSY., ENGINE STOP	001
010	90013-883-000	BOLT, FLANGE (6X12) (CT200)	001
011	90014-952-000	BOLT, FLANGE (6X14) (CT200)	002
012	90015-ZE5-010	BOLT, GOVERNOR ARM	001
013	51125-Z0L-003	HOLDER, WIRE (FASTEX)	001
013	90681-959-003	CLIP A, CABLE (3.8MM BLACK) (NIFCO)	001
014	94050-06000	NUT, FLANGE (6MM)	001



Z2A0E2800B

Ref.	Part Number	Part Description	Qty.
001	87101-Z2A-010	MARK, EMBLEM (GS160)	001
005	87528-ZL8-000	MARK, CHOKE	001
007	87114-ZH7-821	LABEL, WARNING (NOT CERTIFIED FOR SALE)	(NOT CERTI... 001
010	87169-Z8A-000	MARK, RECOIL COVER	001
011	87516-Z0J-000	MARK, OPERATOR CAUTION (ENGLISH)	001