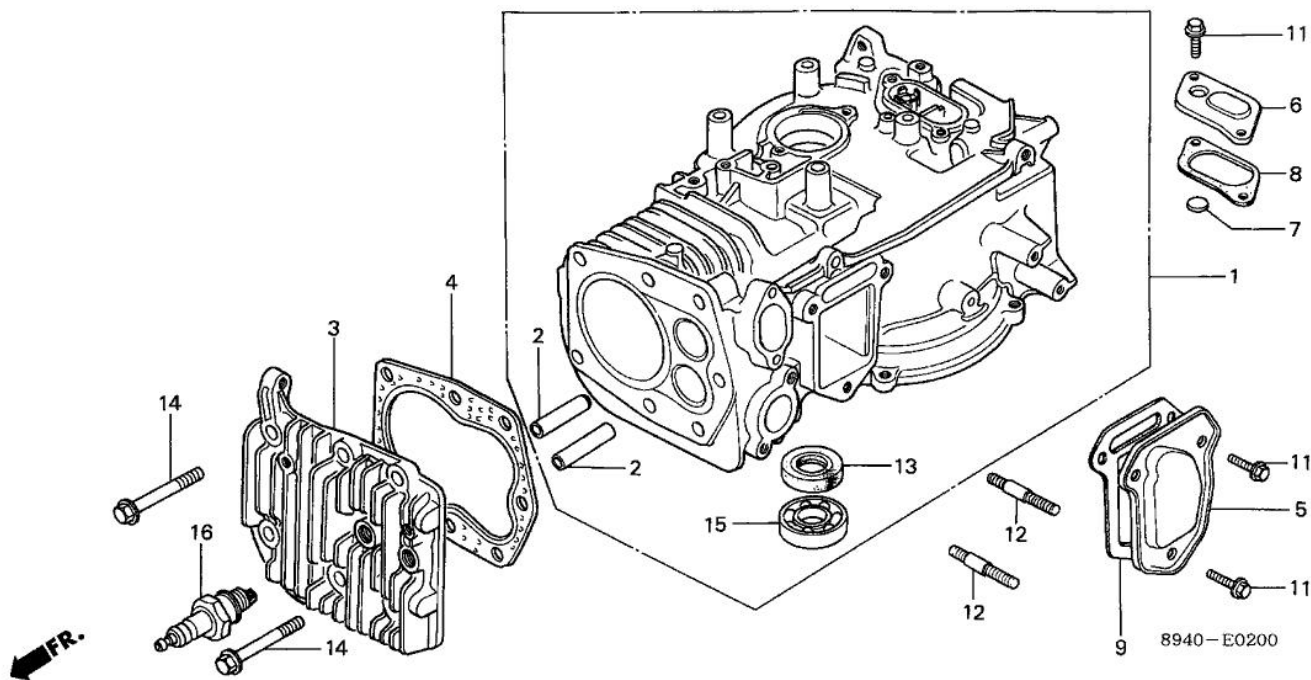
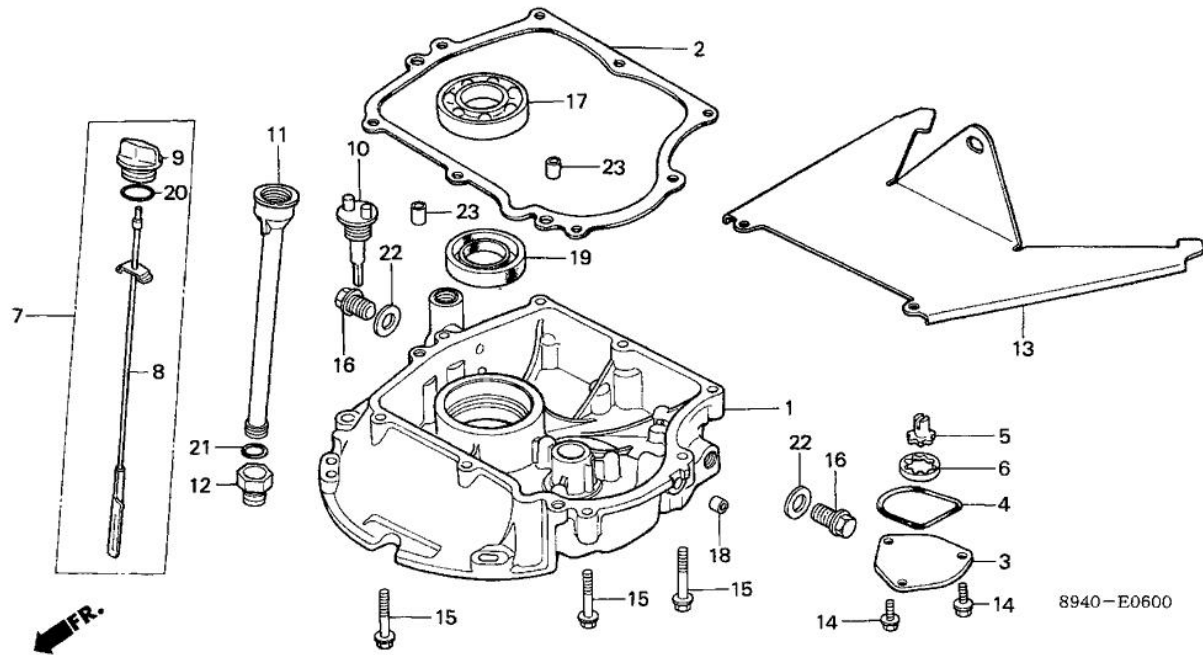


# TRU-POWER, INC.

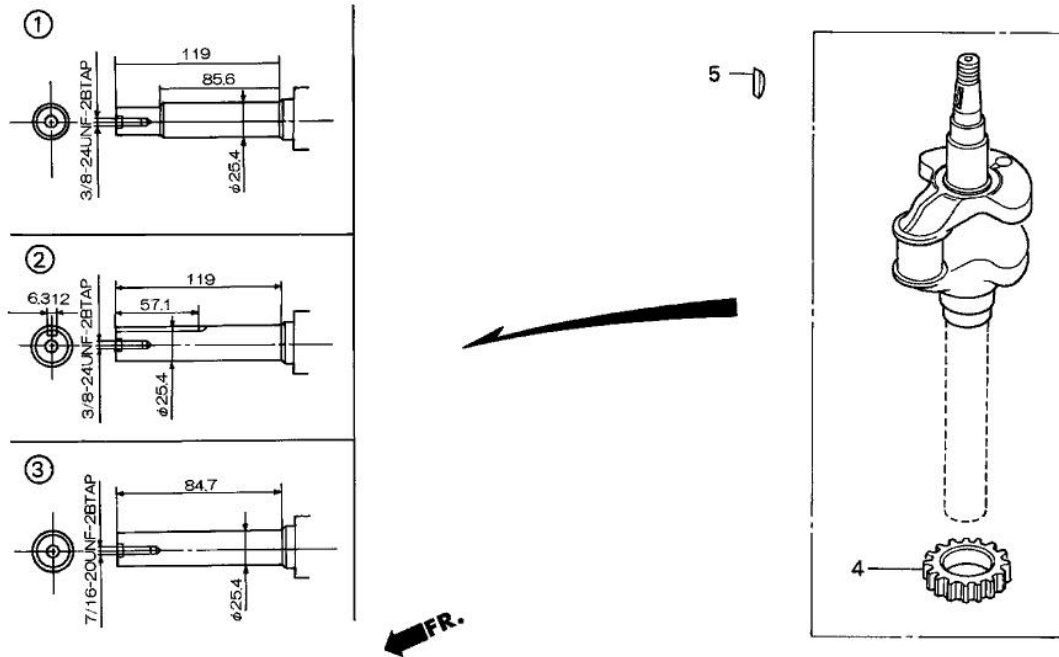
<b>Model Name</b>	<b>GV200</b>	<b>Product Line</b>	<b>GENERAL PURPOSE ENGINE</b>
<b>Mfg</b>		<b>Type</b>	<b>N10</b>
<b>Section</b>	<b>ENGINE</b>	<b>Illustration</b>	<b>CYLINDER HEAD - CYLINDER</b>



Ref.	Part Number	Part Description	Qty.
001	12000-894-305	CYLINDER ASSY.	001
002	12133-883-306	GUIDE, VALVE (OVER SIZE)	(2)
002	12134-883-305	GUIDE, VALVE (OVER SIZE)	(2)
003	12221-894-305	CYLINDER HEAD	001
004	12281-883-306	GASKET, CYLINDER HEAD	001
004	12281-883-800	GASKET, CYLINDER HEAD	001
004	12281-883-801	GASKET, CYLINDER HEAD	001
005	12361-894-000	COVER, TAPPET	001
006	12370-888-000	CAP, BREATHER CHAMBER	001
007	12372-879-000	VALVE, BREATHER	001
008	12373-888-000	GASKET, BREATHER CAP	(NOT AVAILABLE)
009	12375-883-000	GASKET, TAPPET COVER	001
011	90013-883-000	BOLT, FLANGE (6X12) (CT200)	005
013	91202-883-005	OIL SEAL (25X41X6)	001
014	95700-08045-08	BOLT, FLANGE (8X45)	007
014	95701-08045-08	BOLT, FLANGE (8X45)	007
015	96100-62050-00	BEARING, RADIAL BALL (6205)	001
016	98073-56944	SPARK PLUG (BPMR6A-10) (NGK)	001
016	98073-56954	SPARK PLUG (W20MPR-U10) (DENSO)	(1)

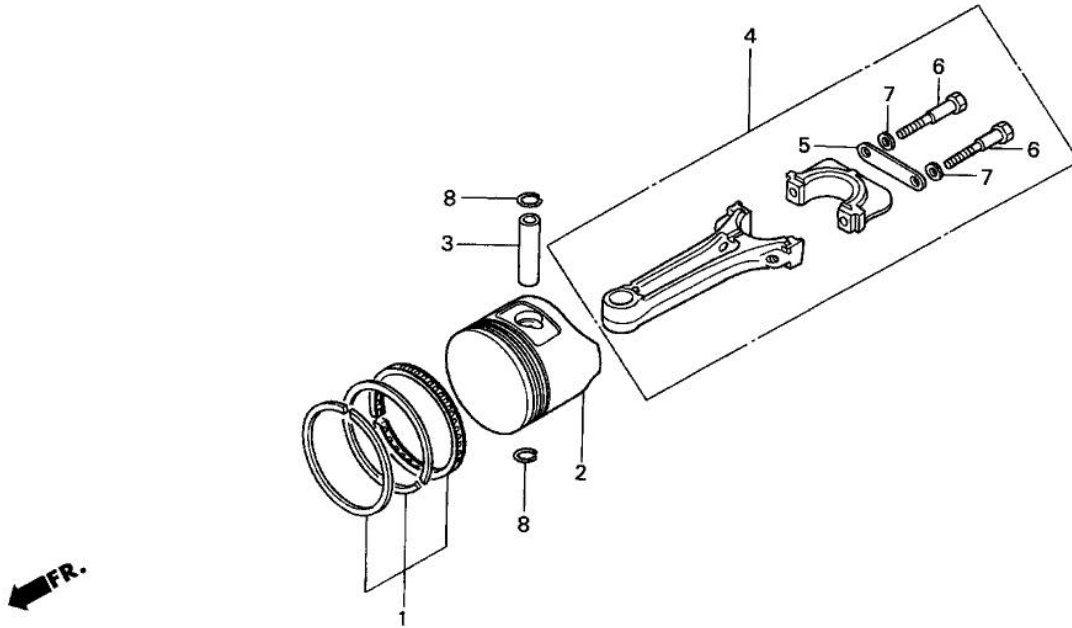


Ref.	Part Number	Part Description	Qty.
001	11310-894-305	PAN, OIL	001
002	11381-894-000	GASKET, OIL PAN	(NOT AVAILABLE) 001
003	15130-888-010	COVER, OIL PUMP	001
004	15131-888-010	O-RING, PUMP COVER	001
005	15330-888-000	ROTOR (INNER)	(NOT AVAILABLE) 001
006	15332-115-000	ROTOR, OIL PUMP (OUTER)	(NOT AVAILABLE) 001
007	15600-894-680	GAUGE ASSY., OIL LEVEL	(1)
007	15600-ZE3-900	GAUGE ASSY., LEVEL	(1)
008	15610-894-680	DIPSTICK, OIL	(1)
009	15611-921-000	CAP, OIL (YELLOW)	(1)
010	15620-888-010	CAP, OIL FILLER	(NOT AVAILABLE) (1)
011	15630-894-680	PIPE, OIL FILLER	(1)
012	15631-894-680	BOLT, JOINT	(NOT AVAILABLE) (1)
014	90013-883-000	BOLT, FLANGE (6X12) (CT200)	003
015	90017-883-000	BOLT, FLANGE (6X32) (CT200)	008
016	90131-896-650	BOLT, DRAIN PLUG (12X15)	002
017	91001-894-004	BEARING, RADIAL BALL	001
018	91231-891-003	OIL SEAL (6X11X4) (ARAI)	001
019	91252-894-004	OIL SEAL (25.4X40X7)	001
020	91301-805-000	O-RING (26X2.7)	(1)
021	91301-MY9-003	O-RING (15X2.5)	(1)
021	91302-028-000	O-RING (15X2.5)	(1)
022	94109-12000	WASHER, DRAIN PLUG (12MM)	002
023	94301-08140	PIN, DOWEL (8X14)	002



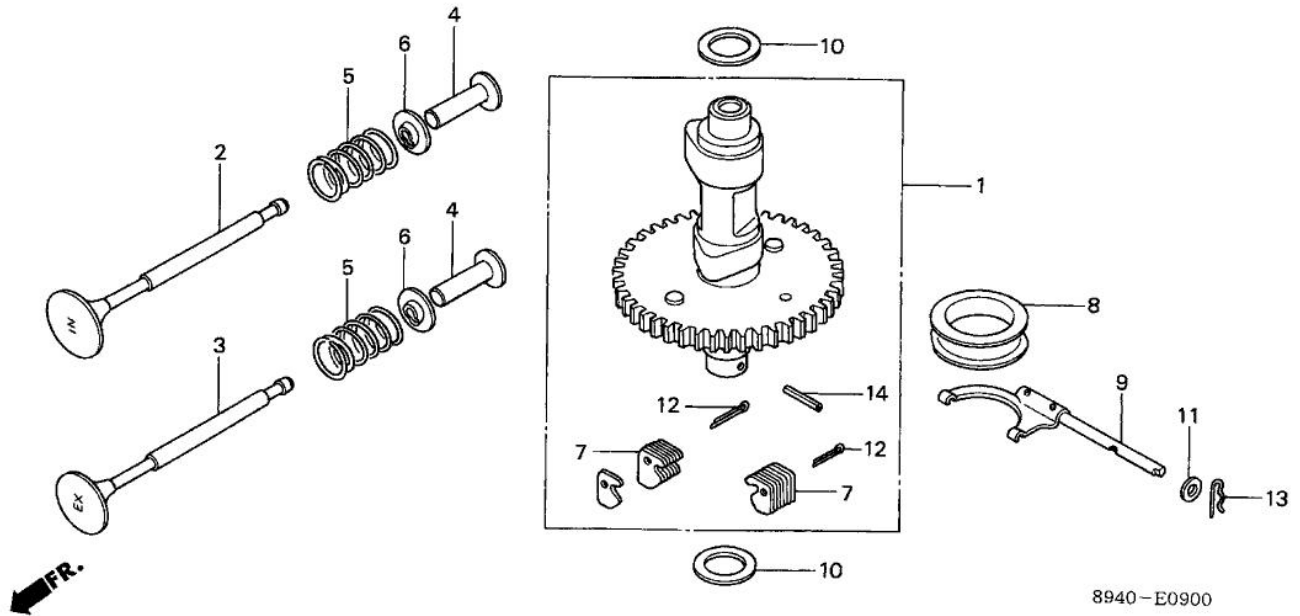
8940-E0700

Ref.	Part Number	Part Description	Qty.
001	13310-894-000	CRANKSHAFT	001
004	14311-883-310	GEAR, TIMING	001
005	13331-357-000	KEY, SPECIAL WOODRUFF (25X18)	001
005	94401-25180	KEY, WOODRUFF (25X18)	001

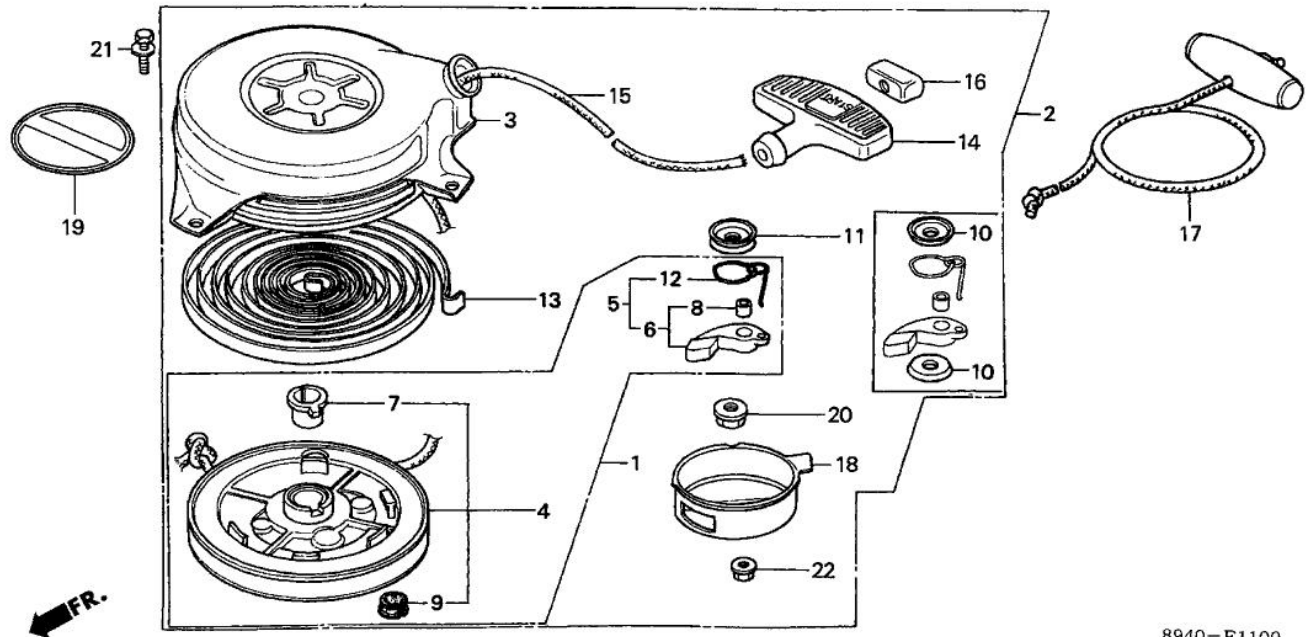


8940-E0800

Ref.	Part Number	Part Description	Qty.
001	13010-894-003	RING SET, PISTON (STD) (TEIKOKU)	001
001	13010-YA0-004	RING SET, PISTON (STD) (NIPPON)	001
001	13011-YA0-004	RING SET, PISTON (0.25) (NIPPON)	(1)
001	13012-YA0-004	RING SET, PISTON (0.50) (NIPPON)	(1)
001	13013-894-003	RING SET, PISTON (0.75) (TEIKOKU)	(1)
001	13013-YA0-004	RING SET, PISTON (0.75) (NIPPON)	(1)
002	13101-883-003	PISTON (STD)	001
002	13102-883-003	PISTON (0.25)	(1)
002	13103-883-003	PISTON (0.50)	(1)
002	13104-883-003	PISTON (0.75)	(1)
003	13111-883-000	PIN, PISTON	001
004	13200-894-000	ROD ASSY., CONNECTING	001
004	13200-894-010	ROD ASSY., CONNECTING	001
004	13200-894-315	ROD ASSY., CONNECTING (UNDER SIZE 0.25)	(NOT AVAILA...) (1)
005	13281-879-000	WASHER A, CONNECTING ROD	001
005	13281-888-000	WASHER, CONNECTING ROD	001
006	90001-883-010	BOLT, CONNECTING ROD (6MM)	(NOT AVAILABLE) 002
006	90001-883-020	BOLT, CONNECTING ROD (7MM)	002
007	90432-883-000	WASHER, LOCK (6MM)	(N/A: SEE ASSEMBLY) 002
007	90432-889-003	WASHER, LOCK (7MM)	002
008	90551-883-000	CLIP, PISTON PIN (15MM)	002
008	94601-15000	CLIP, PISTON PIN (15MM)	002

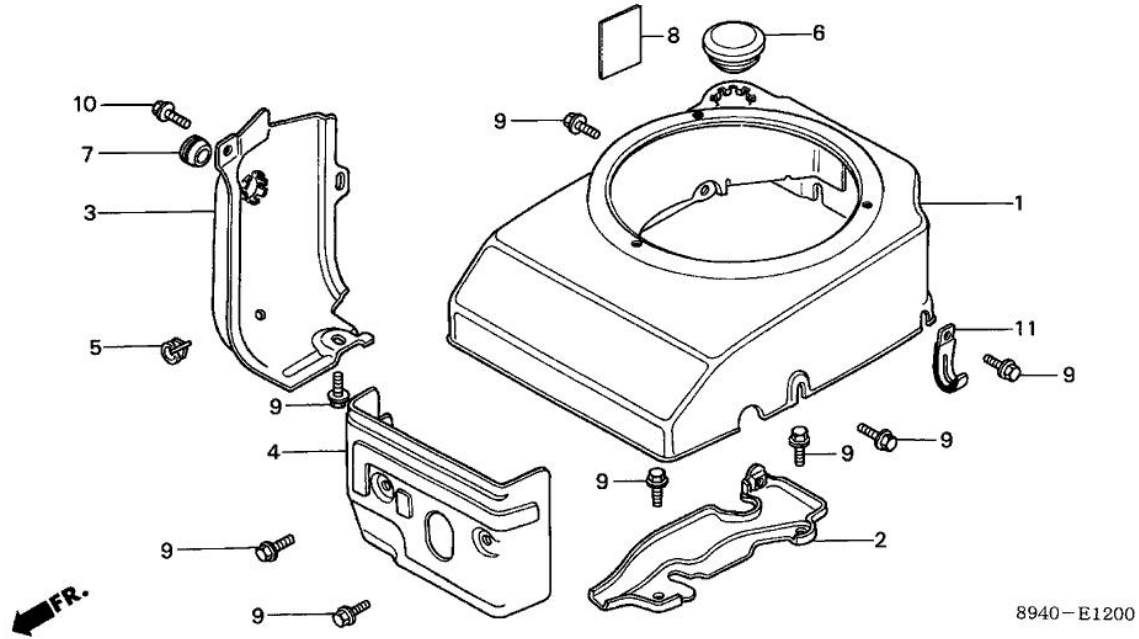


Ref.	Part Number	Part Description	Qty.
001	14110-894-010	CAMSHAFT ASSY.	001
002	14711-883-000	VALVE, IN.	001
003	14721-883-000	VALVE, EX.	001
004	14736-883-010	LIFTER, VALVE (39.6MM)	(2)
004	14746-883-010	LIFTER, VALVE (39.9MM)	(2)
005	14751-883-000	SPRING, VALVE	002
006	14771-883-305	RETAINER, VALVE SPRING	002
007	16511-883-300	WEIGHT, GOVERNOR	014
008	16531-883-010	SLIDER, GOVERNOR	001
009	16540-894-000	SHAFT, GOVERNOR	(NOT AVAILABLE)
010	90452-883-000	WASHER, THRUST (18MM)	002
011	94101-06800	WASHER, PLAIN (6MM)	001
012	94201-30250	PIN, SPLIT (3.0X25)	002
012	94201-30450	PIN, SPLIT (3.0X45)	002
013	94251-08000	PIN, LOCK (8MM)	001
014	94305-25162	PIN, SPRING (2.5X16)	001

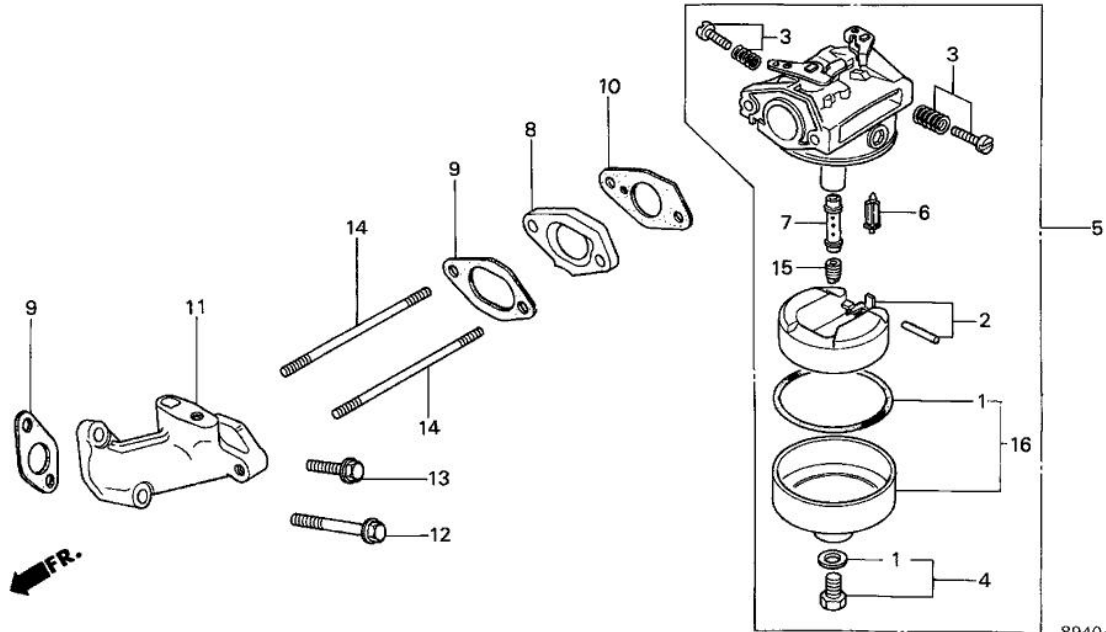


8940-E1100

Ref.	Part Number	Part Description	Qty.
001	28040-883-000	REEL KIT, STARTER (NOT AVAILABLE)	001
002	28400-883-030ZA	STARTER ASSY., RECOIL *NH67*(SPARKLE WHITE)	001
002	28400-883-040ZA	STARTER ASSY., RECOIL *NH67*(SPARKLE WHITE) (NOT AV...	001
002	28400-883-040ZC	STARTER, RECOIL *R8*	001
003	28410-883-020H	CASE, STARTER	001
003	28410-883-030ZA	CASE, STARTER *NH67*(SPARKLE WHITE)	001
003	28410-883-030ZB	CASE, STARTER *R8*(BRIGHT RED)	001
004	28420-883-010	REEL, STARTER	001
004	28420-889-010	REEL, STARTER	001
005	28421-883-315	RATCHET KIT	001
006	28422-883-020	RATCHET	001
007	28424-883-000	BOSS, REEL	001
008	28425-883-300	BUSH, RATCHET (NOT AVAILABLE)	001
008	28425-889-300	BUSH, RATCHET	001
009	28427-883-300	BUSH, REEL STARTER	001
010	28431-883-000	PLATE, FRICTION (NOT AVAILABLE)	002
011	28432-883-000	PLATE, FRICTION	001
012	28441-883-020	SPRING, FRICTION	001
013	28442-883-000	SPRING, RETURN	001
014	28461-883-000	GRIP, STARTER	001
015	28462-ZE1-003	ROPE, RECOIL STARTER	001
016	28463-883-000	SUPPORT, GRIP	001
017	28470-816-000	ROPE, STARTER	(1)
018	28474-883-010	COVER, STARTER REEL	001
019	87521-894-000	EMBLEM (HP)	001
020	90115-659-003	NUT, SELF-LOCK (8MM) (CLINCH)	001
021	95701-06008-00	BOLT, FLANGE (6X8)	003
022	94050-05000	NUT, FLANGE (5MM)	001



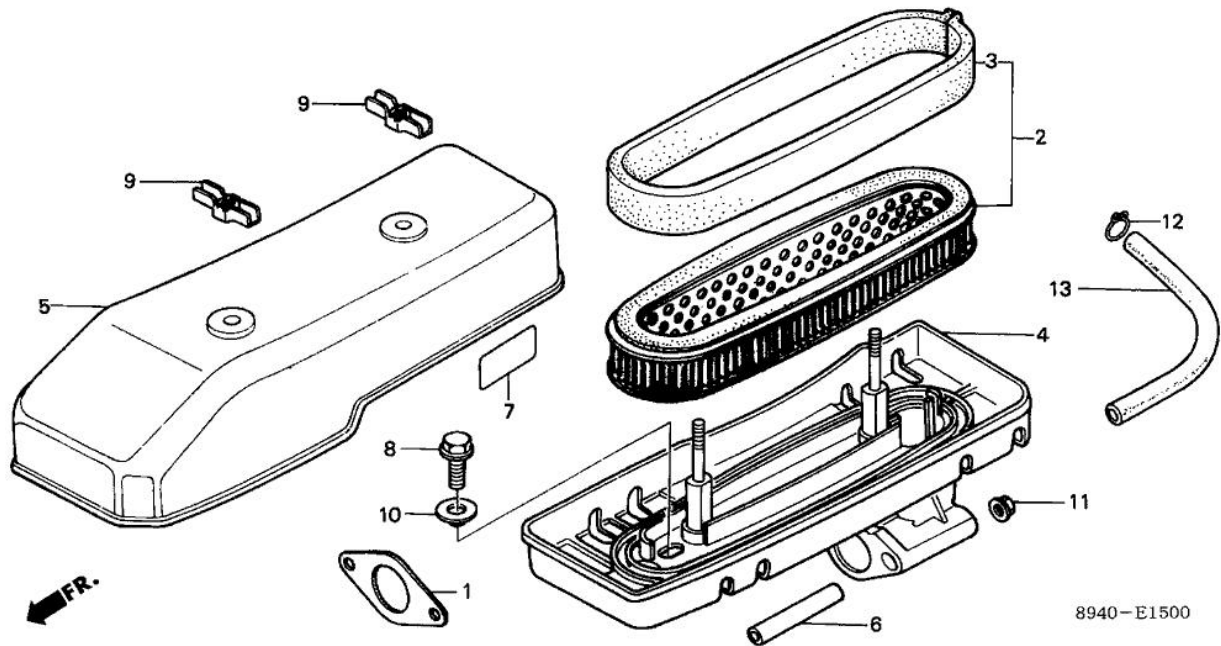
Ref.	Part Number	Part Description	Qty.
001	19610-894-000H	COVER, FAN *R8*(BRIGHT RED)	(NOT AVAILABLE) 001
001	19610-894-000ZA	COVER, FAN *NH67*(SPARKLE WHITE)	(NOT AVAILABLE) 001
002	19621-894-000	PLATE, SIDE	001
003	19631-894-000	SHROUD	001
004	19641-894-000	COVER, TOP	(NOT AVAILABLE) 001
007	81329-567-020	GROMMET, DRAIN HOLE	001
008	87594-888-000	MARK, OIL CAUTION	(NOT AVAILABLE) 001
009	90013-883-000	BOLT, FLANGE (6X12) (CT200)	009
010	90014-952-000	BOLT, FLANGE (6X14) (CT200)	001
011	91405-671-000	CLIP, WIRE	001



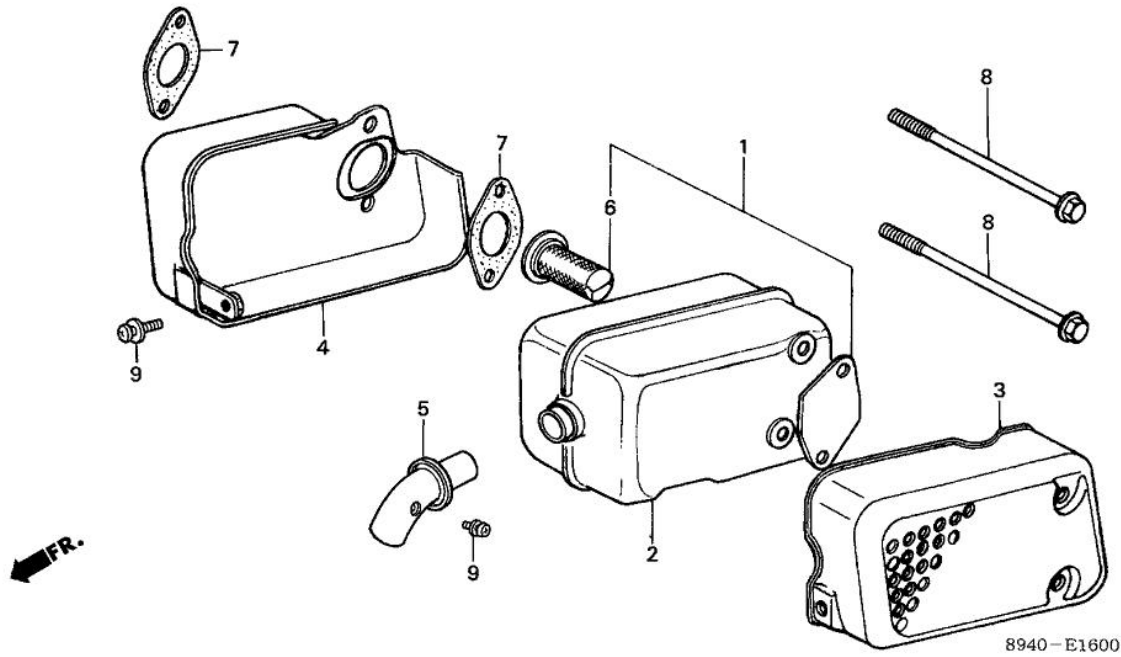
8940-E1400

Ref.	Part Number	Part Description	Qty.
001	16010-883-015	GASKET SET (CARBURETOR NO.)	001
001	16010-883-015	GASKET SET (CARBURETOR NO.)	001
002	16013-883-005	FLOAT SET	001
003	16016-148-611	SCREW SET A (CARBURETOR NO.)	001
003	16016-888-005	SCREW SET A (CARBURETOR NO.)	001
003	16016-894-005	SCREW SET A (CARBURETOR NO.)	(NOT AVAILABLE) 001
004	16028-ZE0-005	SCREW SET	001
004	16028-ZK7-S91	SCREW SET	001
005	16100-894-015	CARBURETOR ASSY. (BB31A A) (CARBURETOR NO.)	001
005	16100-894-025	CARBURETOR ASSY. (BB31A B) (CARBURETOR NO.)	(NOT AVAILABLE) 001
005	16100-894-035	CARBURETOR ASSY. (BB31A C) (CARBURETOR NO.)	001
006	16155-883-005	VALVE, FLOAT	001
007	16166-894-005	NOZZLE, MAIN	(NOT AVAILABLE) 001
008	16211-883-000	INSULATOR, CARBURETOR	001
009	16212-883-800	GASKET, INSULATOR	002
010	16221-883-306	GASKET, CARBURETOR	001
010	16221-887-800	GASKET, CARBURETOR	001
011	16224-894-315	MANIFOLD, IN.	(NOT AVAILABLE) 001
012	90014-888-000	BOLT, FLANGE (6X50)	001
013	90022-888-010	BOLT, FLANGE (6X20) (CT200)	001
014	90043-888-010	BOLT, STUD (6X141)	(NOT AVAILABLE) 002
015	99101-124-0650	JET, MAIN (#65)	(1)
015	99101-124-0680	JET, MAIN (#68)	(1)
015	99101-124-0700	JET, MAIN (#70)	(1)
015	99101-124-0720	JET, MAIN (#72)	(1)
015	99101-124-0750	JET, MAIN (#75)	001
016	16015-891-003	CHAMBER SET, FLOAT (CARBURETOR NO.)	001
016	16015-896-701	CHAMBER SET, FLOAT (CARBURETOR NO.)	(NOT AVAILABLE) 001

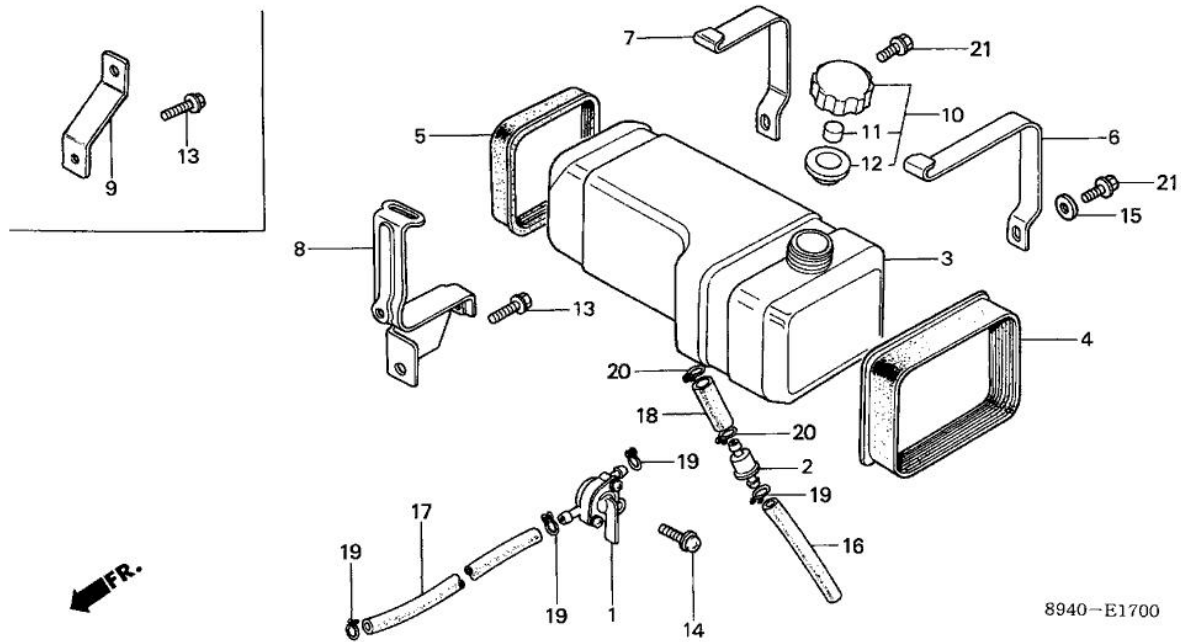




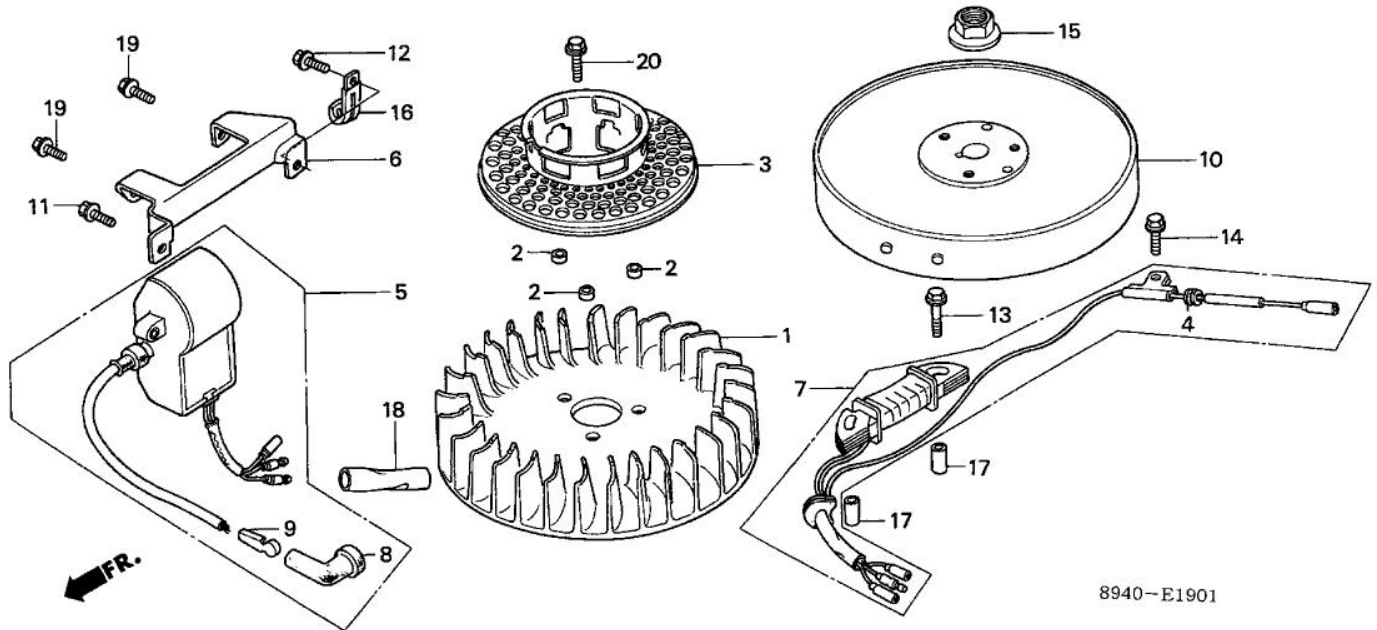
Ref.	Part Number	Part Description	Qty.
001	16269-883-800	GASKET, AIR CLEANER	002
002	17210-ZE6-003	ELEMENT, AIR CLEANER	001
002	17210-ZE6-505	ELEMENT, AIR CLEANER	001
003	17218-888-003	FILTER (OUTER)	001
003	17218-ZE6-505	FILTER (OUTER)	001
004	17220-894-000	HOUSING, AIR CLEANER	(NOT AVAILABLE) 001
005	17231-888-010B	COVER, AIR CLEANER(BLACK)	001
006	17238-888-000	COLLAR, AIR CLEANER HOUSING	(NOT AVAILABLE) 002
007	87524-888-671	MARK, AIR CLEANER CAUTION	(NOT AVAILABLE) 001
008	90013-883-000	BOLT, FLANGE (6X12) (CT200)	001
009	90203-PB2-000	NUT, AIR CLEANER COVER (DACRO COATING)	002
010	90522-034-000	WASHER, HEADLIGHT CASE	001
011	94050-06080	NUT, FLANGE (6MM)	002
012	95002-02130	CLIP, TUBE (B12.5)	001
013	95005-75001-20M	BULK HOSE, VACUUM (7.3X1000) OEM CUT SIZE: (7.5X160)	001



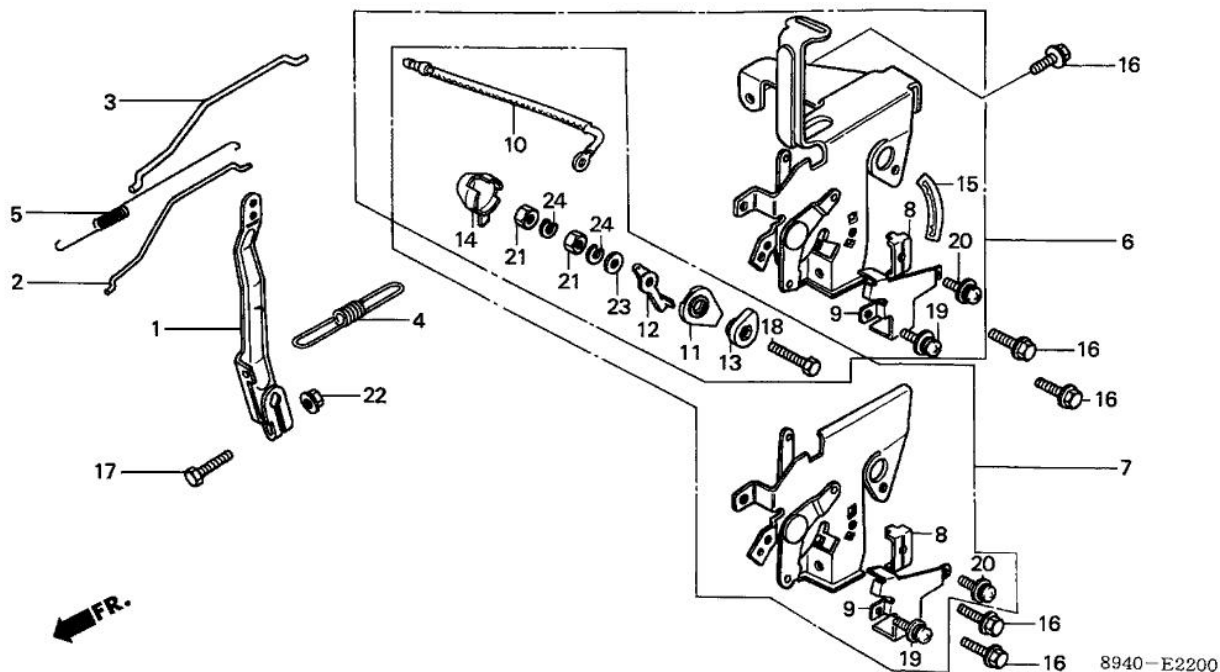
Ref.	Part Number	Part Description	Qty.
001	06180-894-810	ARRESTER KIT, SPARK (NOT AVAILABLE)	(1)
002	18310-894-000	MUFFLER (NOT AVAILABLE)	001
006	06180-888-505	ARRESTER KIT, SPARK	(1)
007	18381-883-800	GASKET, MUFFLER	001
008	90011-894-000	BOLT, FLANGE (8X104) (NOT AVAILABLE)	002



Ref.	Part Number	Part Description	Qty.
001	16950-894-005	PETCOCK ASSY. (NOT AVAILABLE)	001
002	16910-GB2-005	FILTER, FUEL	001
002	16952-952-003	FILTER, FUEL	001
003	17510-894-010	TANK, FUEL (NOT AVAILABLE)	001
004	17515-894-000	RUBBER A, FUEL TANK MOUNTING (NOT AVAILABLE)	001
005	17516-894-000	RUBBER B, FUEL TANK MOUNTING (NOT AVAILABLE)	001
006	17518-894-000	BAND A, TANK MOUNTING (NOT AVAILABLE)	001
007	17519-894-000	BAND B, TANK MOUNTING (NOT AVAILABLE)	001
008	17525-894-000	STAY B, TANK	001
010	17620-888-010	CAP ASSY., FUEL TANK	001
010	17620-888-020	CAP ASSY., FUEL TANK (NOT AVAILABLE)	001
011	17622-888-010	SPONGE, FUEL CAP BREATHER	001
012	17624-355-010	GASKET, FUEL CAP	001
012	17624-896-750	GASKET, FUEL CAP (NOT AVAILABLE)	001
013	90013-883-000	BOLT, FLANGE (6X12) (CT200)	001
014	93891-05012-08	SCREW-WASHER (5X12)	001
015	94103-06000	WASHER, PLAIN (6MM)	002
016	95001-45003-60M	BULK HOSE, FUEL (4.5X3000) OEM CUT SIZE: (4.5X115)	001
016	95001-45003-60M	BULK HOSE, FUEL (4.5X3000) OEM CUT SIZE: (4.5X115)	001
017	95001-45003-60M	BULK HOSE, FUEL (4.5X3000) OEM CUT SIZE: (4.5X195)	001
018	17512-894-000	TUBE, FUEL (NOT AVAILABLE)	001
018	95001-55003-60M	BULK HOSE, FUEL (5.5X3000) OEM CUT SIZE: (5.3X40) (SOURCE: VINTAG...	001
019	95002-02080	CLIP, TUBE (B8)	004
020	95002-02100	CLIP, TUBE (B10)	002
021	95701-06012-00	BOLT, FLANGE (6X12)	002

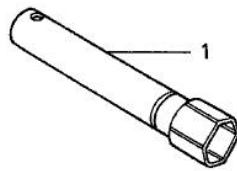


Ref.	Part Number	Part Description	Qty.
001	19511-883-020	FAN, COOLING	001
002	19512-883-000	COLLAR, FAN	003
003	28451-883-030	PULLEY, STARTER	001
004	30569-888-000	GROMMET, PRIMARY WIRE	(NOT AVAILABLE) 001
005	30580-952-754	MODULE, IGNITION CONTROL (CDI)	(NOT AVAILABLE) 001
006	30586-894-000	STAY, IGNITION CONTROL MODULE	(NOT AVAILABLE) 001
007	30590-894-681	COIL ASSY., EXCITER	001
007	30590-894-682	COIL ASSY., EXCITER	(NOT AVAILABLE) 001
008	30701-888-003	CAP, IGNITION	001
008	30701-888-004	CAP, IGNITION (TOYO)	001
008	30701-888-004	CAP, IGNITION (TOYO)	001
009	30702-888-003	TERMINAL, PLUG	001
010	31100-883-751	FLYWHEEL (C.D.I.)	(NOT AVAILABLE) 001
011	90013-883-000	BOLT, FLANGE (6X12) (CT200)	001
012	90014-952-000	BOLT, FLANGE (6X14) (CT200)	001
013	90015-883-000	BOLT, FLANGE (6X28) (CT200)	002
014	90019-883-000	BOLT, FLANGE (5X10)	001
015	90201-878-003	NUT, SPECIAL (14MM)	001
016	91405-671-000	CLIP, WIRE	001
017	94301-08140	PIN, DOWEL (8X14)	002
018	95003-50003-10M	BULK HOSE, VINYL (16X19X3000) OEM CUT SIZE: (16X19X50)	001
019	95701-06012-08	BOLT, FLANGE (6X12)	002
020	95701-06016-08	BOLT, FLANGE (6X16)	003



8940-E2200

Ref.	Part Number	Part Description	Qty.
001	16551-894-000	ARM, GOVERNOR	001
002	16555-894-010	ROD, GOVERNOR	001
003	16556-894-000	ROD, CHOKE	001
004	16561-894-000	SPRING, GOVERNOR	(NOT AVAILABLE)
005	16562-894-000	SPRING, THROTTLE RETURN	001
006	16570-894-000	CONTROL ASSY.	001
008	16576-891-000	HOLDER, CABLE	001
009	17100-894-000	PROTECTOR, CONTROL	001
009	17100-960-651	PROTECTOR, CONTROL	001
010	30562-894-000	WIRE, STOP SWITCH	(NOT AVAILABLE)
011	36111-894-000	BASE, SWITCH	001
011	36111-894-010	BASE, SWITCH	(NOT AVAILABLE)
012	36112-894-000	CONTACT, SWITCH	(NOT AVAILABLE)
013	36113-894-000	WASHER, INSULATOR	001
013	36113-894-010	WASHER, INSULATOR	(NOT AVAILABLE)
014	36115-894-000	CAP, STOP SWITCH	(NOT AVAILABLE)
016	90013-883-000	BOLT, FLANGE (6X12) (CT200)	002
017	90015-ZE5-010	BOLT, GOVERNOR ARM	001
017	92101-06020-0A	BOLT, HEX. (6X20)	001
018	92100-04020-0A	BOLT, HEX. (4X20)	001
019	93893-05012-00	SCREW-WASHER (5X12)	001
020	93893-05020-00	SCREW-WASHER (5X20)	001
021	94001-04000-0S	NUT, HEX. (4MM)	002
022	94050-06080	NUT, FLANGE (6MM)	001
023	94101-04000	WASHER, PLAIN (4MM)	001
024	94111-04000	WASHER, SPRING (4MM)	002



8940-E2900

Ref.	Part Number	Part Description	Qty.
001	89216-888-000	WRENCH, SPARK PLUG	001