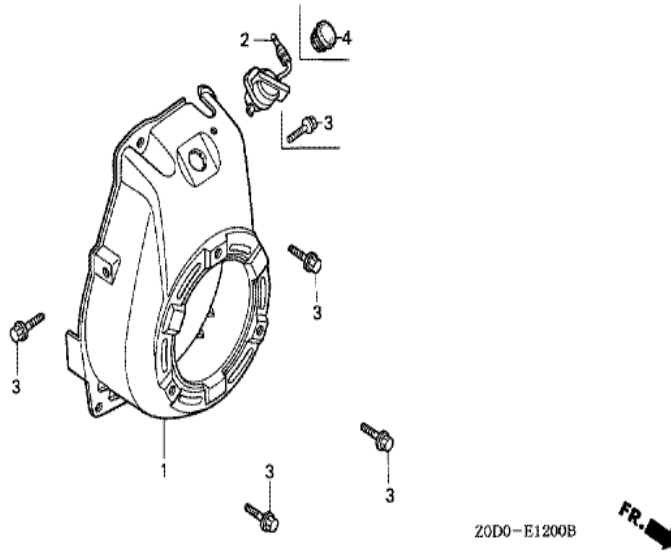
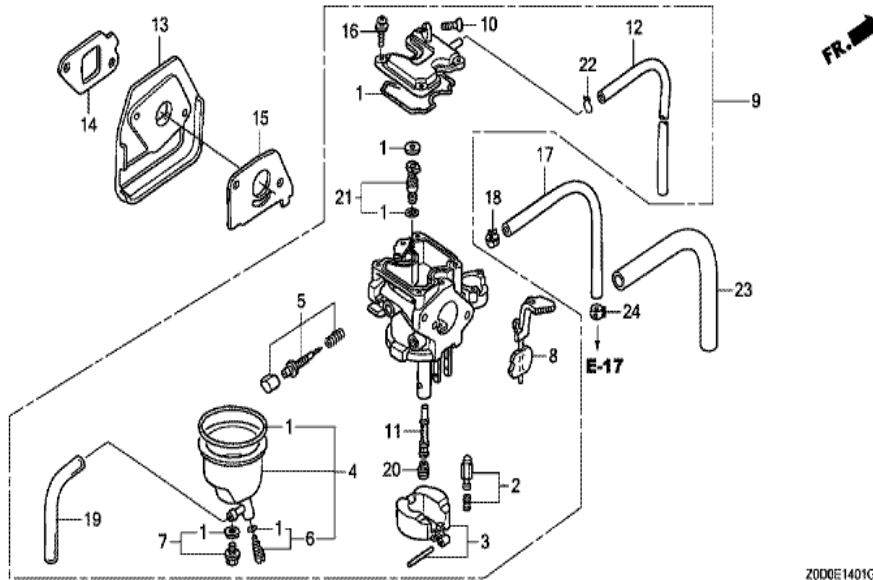


Ref	Partnumber	Description	GX100	Serial Numbers
001	28400-ZOD-V02ZA	STARTER ASSY., RECOIL *NH1 *	1	
002	28410-ZOD-V02ZA	CASE COMP., RECOIL STARTER *NH1*	1	
003	28421-ZOD-V02	REEL, RECOIL STARTER	1	
004	28422-ZG0-W02	RATCHET, STARTER	2	
005	28433-ZG0-W02	GUIDE, RATCHET	1	
006	28441-ZW6-003	SPRING, FRICTION	1	
007	28442-ZH8-003	SPRING, RECOIL STARTER	1	
008	28461-ZH8-003	GRIP, STARTER	1	
009	28462-ZOD-V02	ROPE, RECOIL STARTER	1	
010	28467-ZOD-V02	PLATE, SIDE	1	
011	28468-ZOD-V02	PLATE, SLIDE	1	
012	90003-ZH8-003	SCREW, SETTING	1	
013	95701-0600800	BOLT, FLANGE, 6X8	3	



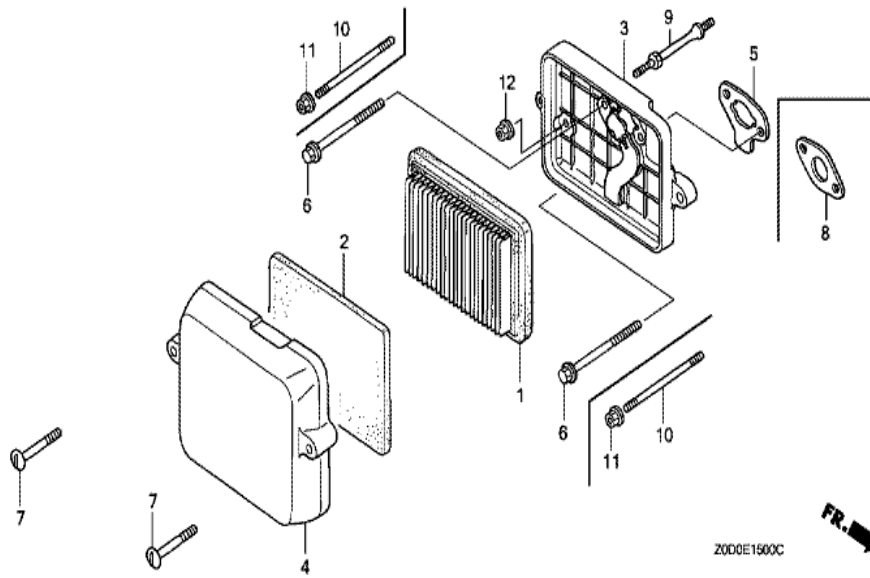
Ref	Partnumber	Description	GX100	Serial Numbers
001	19610-Z0D-V00ZB	COVER COMP., FAN *NH1 *	1	
001	19610-Z0D-V00ZB	COVER COMP., FAN *NH1 *	1	
002	36100-ZE1-015	SWITCH ASSY., ENGINE STOP	1	
002	36100-ZE1-015	SWITCH ASSY., ENGINE STOP	1	
003	90014-952-000	BOLT, FLANGE, 6X14 (CT200)	4	



Z0D0E1401G

Ref	Partnumber	Description	GX100	Serial Numbers
001	16010-Z0D-V21	GASKET SET	1	
002	16011-ZE0-005	VALVE SET, FLOAT	1	
003	16013-ZG0-811	FLOAT SET	1	
004	16015-Z0D-V21	CHAMBER SET, FLOAT	1	
004	16015-Z0D-V21	CHAMBER SET, FLOAT	1	
005	16016-Z0D-V21	SCREW SET	1	
006	16024-ZB9-005	SCREW SET, DRAIN	1	
007	16028-ZW6-611	SCREW SET	1	
008	16044-Z0D-V21	LEVER SET, CHOKE	1	
008	16044-Z0D-V21	LEVER SET, CHOKE	1	
009	16100-Z0D-V22	CARBURETOR ASSY. (BF33D B)	1	
009	16100-Z0D-V22	CARBURETOR ASSY. (BF33D B)	1	
010	16124-ZE0-005	SCREW, THROTTLE STOP	1	

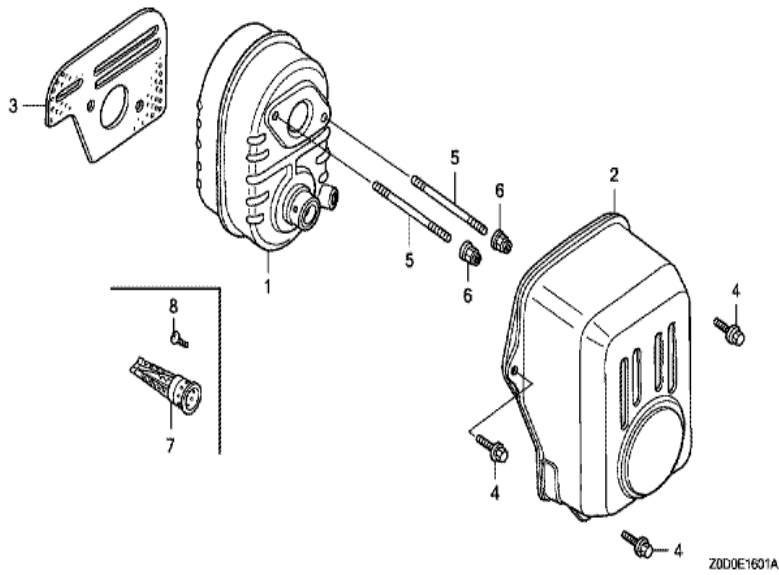
<u>Ref</u>	<u>Partnumber</u>	<u>Description</u>	<u>GX100</u>	<u>Serial Numbers</u>
011	16166-Z0D-003	NOZZLE, MAIN	1	
012	16199-Z0D-V21	TUBE, AIR VENT	1	
013	16211-Z0D-000	INSULATOR, CARBURETOR	1	
014	16212-Z0D-V20	PACKING, INSULATOR	1	
015	16221-ZG0-801	PACKING, CARBURETOR	1	
016	93892-0401218	SCREW-WASHER, 4X12	4	
017	95001-4521050	TUBE, FUEL, 4.5X210 (95001-45001-50M)	1	1144522
017	95001-4527050	HOSE, FUEL, 4.5X270 (95001-45001-50M)	1	
017	95001-4527050	HOSE, FUEL, 4.5X270 (95001-45001-50M)	1	1144521
018	95002-4085008	CLAMP, TUBE (D8.5)	1	
019	95003-0501031	TUBE, VINYL, 3.5X6.5X100 (95003-05001-60)	1	
020	99101-ZG00550	JET, MAIN, #55	(1)	
020	99101-ZG00580	JET, MAIN, #58	(1)	
020	99101-ZG00580	JET, MAIN, #58	(1)	
020	99101-ZG00600	JET, MAIN, #60	1	
020	99101-ZG00600	JET, MAIN, #60	1	
021	99204-ZE00350	JET SET, PILOT, #35	1	
022	95002-02089	CLIP, TUBE (B1 8)	1	
024	95002-4085008	CLAMP, TUBE (D8.5)	1	



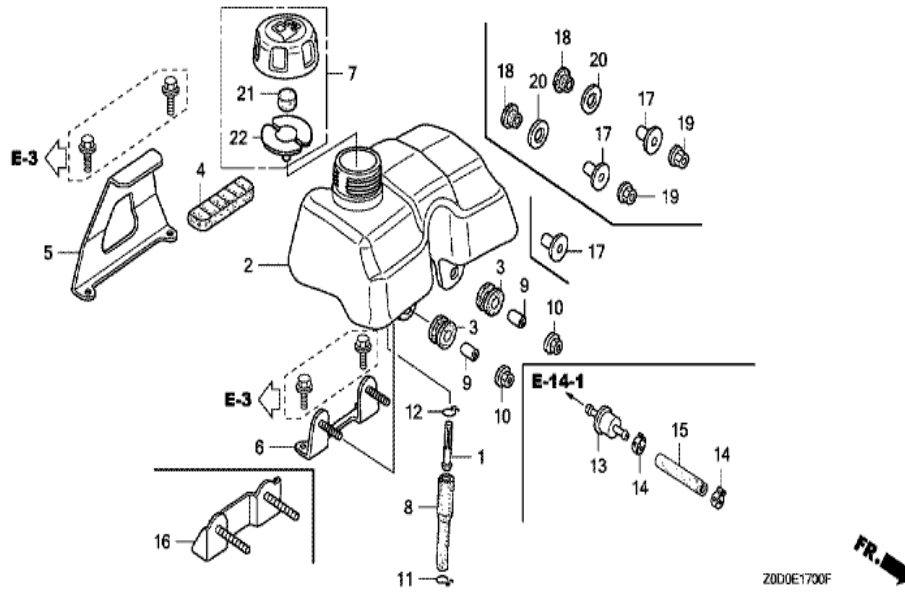
Z000E1500C



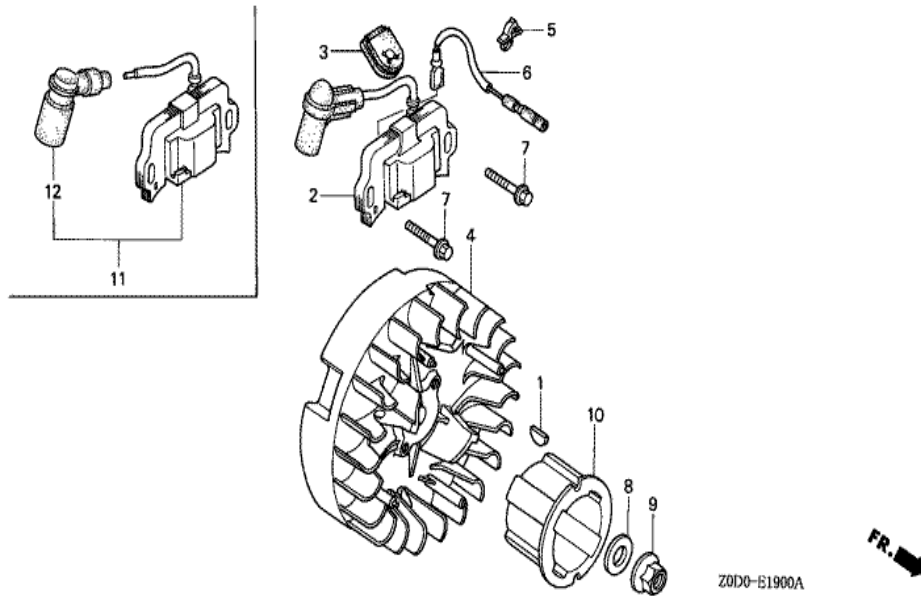
<u>Ref</u>	<u>Partnumber</u>	<u>Description</u>	<u>GX100</u>	<u>Serial Numbers</u>
001	17211-ZL8-003	ELEMENT, AIR CLEANER	1	
003	17220-ZOD-V20	CASE COMP., AIR CLEANER	1	
003	17220-ZOD-V20	CASE COMP., AIR CLEANER	1	
004	17231-ZOD-V61	COVER, AIR CLEANER	1	2174968
004	17231-ZOD-V61	COVER, AIR CLEANER	1	
005	17228-ZOD-V21	PACKING, AIR CLEANER	1	
005	17228-ZOD-V21	PACKING, AIR CLEANER	1	
007	90011-ZOD-000	BOLT, AIR CLEANER COVER	2	
009	90041-ZOD-V20	BOLT, STUD	1	
009	90041-ZOD-V20	BOLT, STUD	1	
010	90042-ZOD-V20	BOLT, STUD, 5X75 (CT200)	2	
010	90042-ZOD-V20	BOLT, STUD, 5X75 (CT200)	2	
011	94050-05000	NUT, FLANGE, 5MM	2	
<u>Ref</u>	<u>Partnumber</u>	<u>Description</u>	<u>GX100</u>	<u>Serial Numbers</u>
012	94050-06000	NUT, FLANGE, 6MM	1	
012	94050-06000	NUT, FLANGE, 6MM	1	



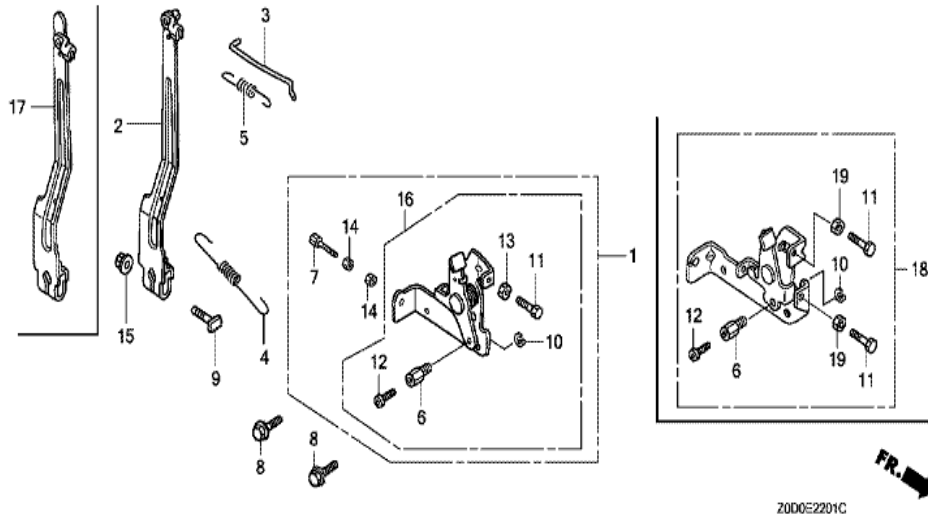
Ref	Partnumber	Description	GX100	Serial Numbers
001	18310-ZOD-V20	MUFFLER COMP.	1	
002	18321-ZOD-V20	PROTECTOR, MUFFLER	1	
002	18321-ZOD-V20	PROTECTOR, MUFFLER	1	
003	18381-ZOD-000	GASKET, MUFFLER	1	
004	90014-952-000	BOLT, FLANGE, 6X14 (CT200)	3	
005	90048-ZOD-V00	BOLT, STUD, 6X78 (CT200)	2	
005	90048-ZOD-V00	BOLT, STUD, 6X78 (CT200)	2	
006	90343-ZE6-000	NUT, SELF-LOCK, 6MM	2	



Ref	Partnumber	Description	GX100	Serial Numbers
013	16910-GB2-005	STRAINER COMP., FUEL	1	
013	16910-GB2-005	STRAINER COMP., FUEL	1	1144522
014	95002-4085008	CLAMP, TUBE (D8.5)	2	
015	95001-4508050	TUBE, FUEL, 4.5X80 (95001-45001-50M)	1	1144522
015	95001-4508050	TUBE, FUEL, 4.5X80 (95001-45001-50M)	1	1144522

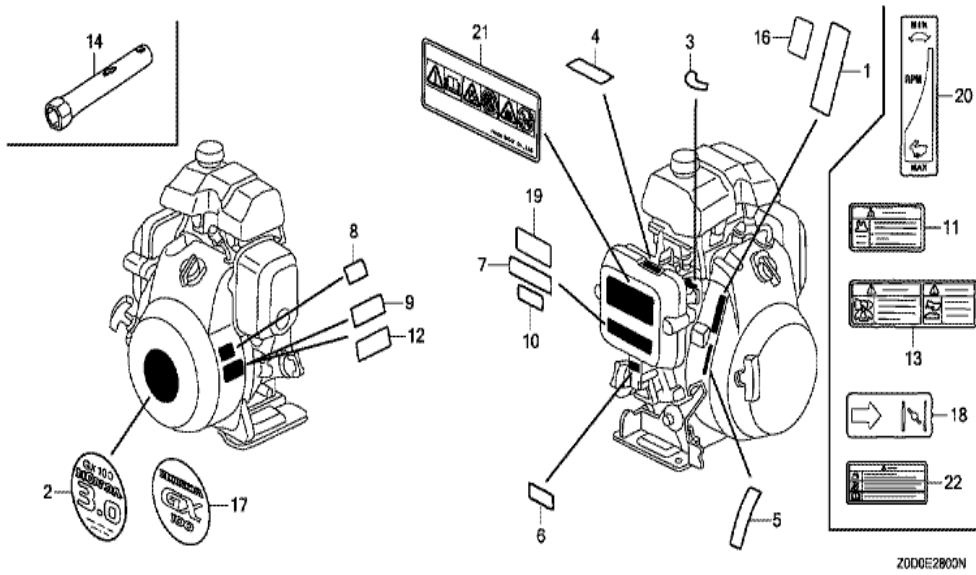


Ref	Partnumber	Description	GX100	Serial Numbers
001	13331-ZM7-000	KEY, SPECIAL	1	
003	30564-ZA5-000	GROMMET, CORD	1	
004	31110-Z0D-003	FLYWHEEL COMP.	1	
005	30701-883-000	CLIP, HIGH TENSION CORD (8MM)	1	
006	32195-Z0D-000	CORD, STOP SWITCH	1	
007	90022-888-010	BOLT, FLANGE, 6X20 (CT200)	2	
009	94050-12000	NUT, FLANGE, 12MM	1	
010	28451-Z0D-V02	PULLEY, STARTER	1	
011	30500-Z0D-V01	COIL ASSY., IGNITION	1	
012	30700-Z0D-V01	TERMINAL ASSY., HIGH TENSION	1	

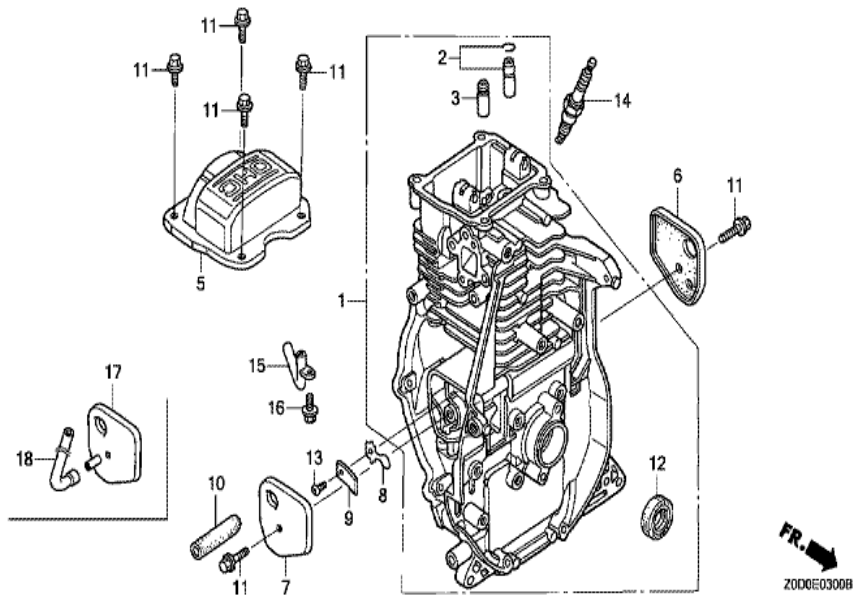


Z000E2201C

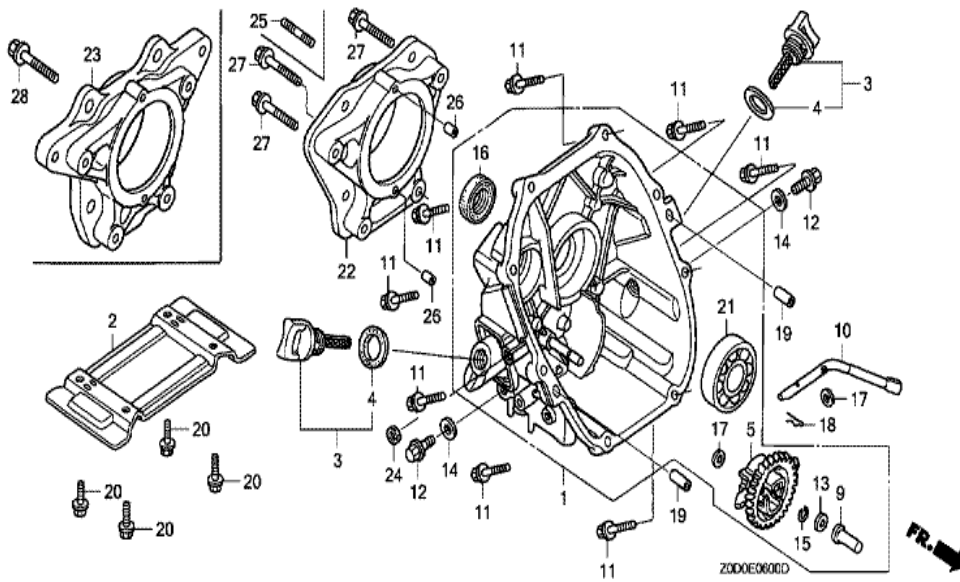
<u>Ref</u>	<u>Partnumber</u>	<u>Description</u>	<u>GX100</u>	<u>Serial Numbers</u>
001	16500-ZG0-V90	CONTROL ASSY.	1	
001	16500-ZG0-V90	CONTROL ASSY.	1	1144521
002	16550-Z0D-V20	ARM COMP., GOVERNOR	1	
002	16550-Z0D-V20	ARM COMP., GOVERNOR	1	1186442
002	16550-Z0D-V21	ARM COMP., GOVERNOR	1	1186443
002	16550-Z0D-V21	ARM COMP., GOVERNOR	1	1186443
003	16555-Z0D-V20	ROD, GOVERNOR	1	
003	16555-Z0D-V20	ROD, GOVERNOR	1	
004	16561-Z0D-V20	SPRING, GOVERNOR	1	
004	16561-Z0D-V20	SPRING, GOVERNOR	1	
005	16562-Z0D-V20	SPRING, THROTTLE RETURN	1	
005	16562-Z0D-V20	SPRING, THROTTLE RETURN	1	
006	16594-883-010	HOLDER, WIRE	1	
<u>Ref</u>	<u>Partnumber</u>	<u>Description</u>	<u>GX100</u>	<u>Serial Numbers</u>
007	54717-ZG0-S00	BOLT, CABLE ADJUSTING (6X34)	1	
007	54717-ZG0-S00	BOLT, CABLE ADJUSTING (6X34)	1	1144521
008	90014-952-000	BOLT, FLANGE, 6X14 (CT200)	2	
009	90015-ZE5-010	BOLT, GOVERNOR ARM	1	
010	90605-230-000	CIRCLIP, 5MM	1	
011	92301-050200A	BOLT, RECESSED, 5X20	1	
012	93500-040060H	SCREW, PAN, 4X6	1	
013	94001-050000S	NUT, HEX., 5MM	1	
014	94002-060000S	NUT, HEX., 6MM	2	
014	94002-060000S	NUT, HEX., 6MM	2	1144521
015	94050-06000	NUT, FLANGE, 6MM	1	
016	16500-Z0D-V50	CONTROL ASSY.	1	
016	16500-Z0D-V50	CONTROL ASSY.	1	1144522



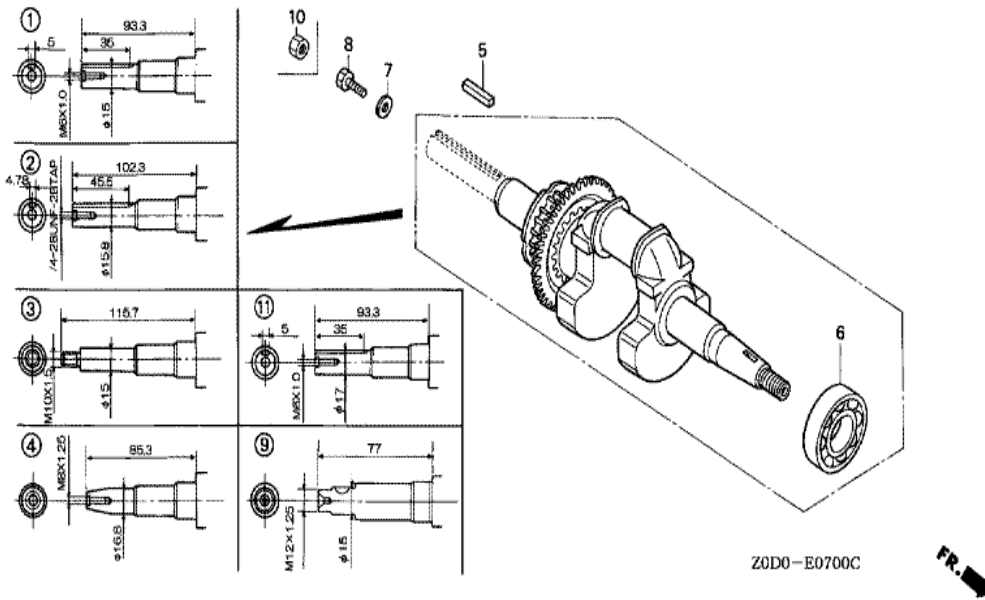
Ref	Partnumber	Description	GX100	Serial Numbers
002	87521-Z0D-V00	EMBLEM (RAMMA) (GX100 3.0)	1	1149107
002	87521-Z0D-V00	EMBLEM (RAMMA) (GX100 3.0)	1	1149107
002	87521-Z0D-V01	EMBLEM (RAMMA) (GX100 3.0)	1	
002	87521-Z0D-V01	EMBLEM (RAMMA) (GX100 3.0)	1	1149108
004	87528-Z0D-000	MARK, CHOKE INDICATION	1	
006	87601-Z0D-V50	MARK, TYPE (KRB)	1	
006	87601-Z0D-V50	MARK, TYPE (KRB)	1	
014	89216-130-690	WRENCH, SPARK PLUG	1	



<u>Ref</u>	<u>Partnumber</u>	<u>Description</u>	<u>GX100</u>	<u>Serial Numbers</u>
001	12000-Z0D-405	BARREL ASSY., CYLINDER	1	
002	12201-Z0D-305	GUIDE ASSY., EX. VALVE (O.S.)	(1)	
003	12204-Z0D-305	GUIDE, IN. VALVE (O.S.)	(1)	
005	12311-Z0D-000	COVER, HEAD	1	
006	12355-Z0D-000	COVER COMP. A, BREATHER	1	
007	12365-Z0D-000	COVER COMP. B, BREATHER	1	
008	15571-Z0D-V71	VALVE, OIL OUTLET	1	
009	15572-ZM7-000	PLATE, STOPPER	1	
010	15721-Z0D-000	TUBE, BREATHER	1	
011	90014-952-000	BOLT, FLANGE, 6X14 (CT200)	6	
012	91202-KJ9-003	OIL SEAL, 20X32X6	1	
013	93500-030050A	SCREW, PAN, 3X5	1	
014	98056-55757	PLUG, SPARK (U16FSR-UB)	1	
<u>Ref</u>	<u>Partnumber</u>	<u>Description</u>	<u>GX100</u>	<u>Serial Numbers</u>
014	98056-55777	PLUG, SPARK (CR5HSB)	1	
014	98056-55777	PLUG, SPARK (CR5HSB)	1	
015	15171-Z0D-V00	PIPE, BREATHER	1	
016	90008-ZM7-000	BOLT, 4X10	1	



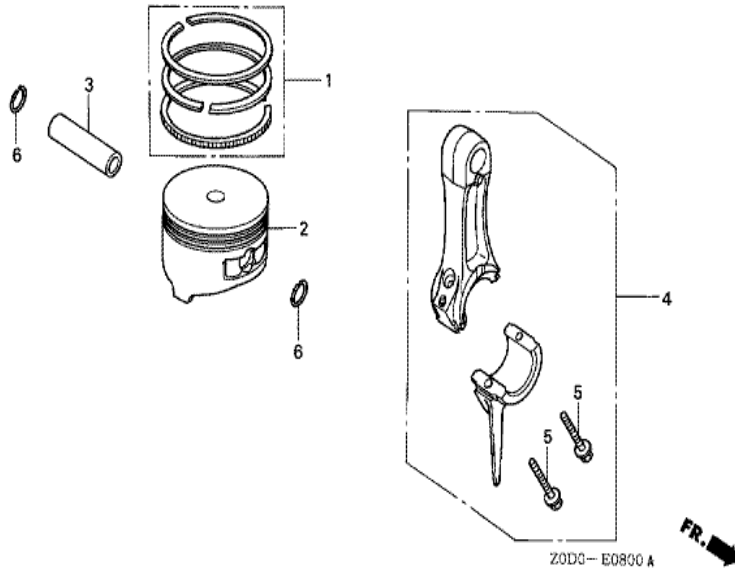
<u>Ref</u>	<u>Partnumber</u>	<u>Description</u>	<u>GX100</u>	<u>Serial Numbers</u>
001	11300-Z0D-409	COVER ASSY., CRANKCASE	1	
001	11300-Z0D-409	COVER ASSY., CRANKCASE	1	
003	15600-ZM7-003	CAP ASSY., OIL FILLER	1	
004	15625-ZE1-003	PACKING, OIL FILLER CAP	1	
005	16510-ZL8-000	GOVERNOR ASSY.	1	
005	16510-ZL8-000	GOVERNOR ASSY.	1	
009	16531-ZE1-000	SLIDER, GOVERNOR	1	
010	16541-Z0D-000	SHAFT, GOVERNOR ARM	1	
011	90121-952-000	BOLT, FLANGE, 6X25 (CT200)	8	
012	90131-ZE1-000	BOLT, DRAIN PLUG	1	
013	90451-ZE1-000	WASHER, THRUST, 6MM	1	
014	90601-ZE1-000	WASHER, DRAIN PLUG, 10.2MM	1	
015	90602-ZE1-000	CLIP, GOVERNOR HOLDER	1	
<u>Ref</u>	<u>Partnumber</u>	<u>Description</u>	<u>GX100</u>	<u>Serial Numbers</u>
016	91202-KJ9-003	OIL SEAL, 20X32X6	1	
017	94101-06800	WASHER, PLAIN, 6MM	2	
018	94251-08000	PIN, LOCK, 8MM	1	
019	94301-08200	DOWEL PIN, 8X20	2	
021	96100-6204000	BEARING, RADIAL BALL, 6204	1	
023	11511-Z0D-V10	FLANGE, P.T.O.	1	
024	91231-891-003	OIL SEAL, 6X11X4 (ARAI)	1	
026	94303-06100	DOWEL PIN, 6X10	2	
027	95701-0804500	BOLT, FLANGE, 8X45	4	
028	93402-1004000	BOLT-WASHER, 10X40	2	



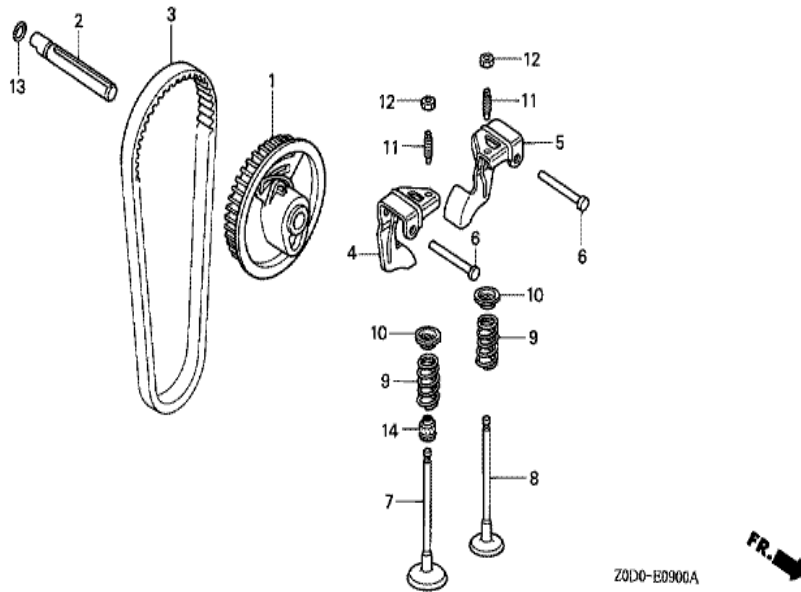
Z0D0-E0700C



Ref	Partnumber	Description	GX100	Serial Numbers
005	90741-Z0D-V50	KEY, WOODRUFF, 13X12	1	
005	90741-Z0D-V50	KEY, WOODRUFF, 13X12	1	
006	91001-Z0D-V01	BEARING, RADIAL BALL, 6204C	1	
006	91001-Z0D-V01	BEARING, RADIAL BALL, 6204C	1	
009	13310-Z0D-V00	CRANKSHAFT COMP.	1	
010	94002-12000S	NUT, HEX., 12MM	1	



Ref	Partnumber	Description	GX100	Serial Numbers
001	13010-ZOD-003	RING SET, PISTON	1	
002	13101-ZOD-000	PISTON	1	
003	13111-ZE0-000	PIN, PISTON	1	
004	13200-ZOD-000	ROD ASSY., CONNECTING	1	
004	13200-ZOD-305	ROD ASSY., CONNECTING (UNDER SIZE)	(1)	
004	13200-ZOD-305	ROD ASSY., CONNECTING (UNDER SIZE)	(1)	
005	90001-ZM7-000	BOLT, CONNECTING ROD	2	
006	90551-ZE0-000	CLIP, PISTON PIN, 13MM	2	



ZOD0-E0900A

FR. →

<u>Ref</u>	<u>Partnumber</u>	<u>Description</u>	<u>GX100</u>	<u>Serial Numbers</u>
001	14320-ZOD-010	PULLEY COMP., CAMSHAFT	1	
002	14324-ZOD-000	SHAFT, CAM PULLEY	1	
003	14400-ZOD-003	BELT, TIMING (61YU7 G-200)	1	
004	14431-ZOD-000	ARM, IN. VALVE ROCKER	1	
005	14441-ZOD-000	ARM, EX. VALVE ROCKER	1	
006	14461-ZL8-000	SHAFT, ROCKER ARM	2	
007	14711-ZOD-000	VALVE, IN.	1	
008	14721-ZOD-000	VALVE, EX.	1	
009	14751-ZOD-000	SPRING, VALVE	2	
010	14771-ZM3-010	RETAINER, VALVE SPRING	2	
011	90012-333-000	SCREW, TAPPET ADJUSTING	2	
012	90206-001-000	NUT, TAPPET ADJUSTING	2	
013	91301-ZM0-V31	O-RING, 6.8X1.9 (ARAI)	1	
<u>Ref</u>	<u>Partnumber</u>	<u>Description</u>	<u>GX100</u>	<u>Serial Numbers</u>
014	12209-KT7-013	SEAL, VALVE STEM	1	