

ZK70-E1100



<u>Ref</u>	<u>Partnumber</u>	<u>Description</u>	<u>GX120K1</u>	<u>Serial Numbers</u>
001	28400-ZH8-013YA	STARTER ASSY., RECOIL *R280 *	1	
001	28400-ZH8-013YA	STARTER ASSY., RECOIL *R280 *	1	4363433
002	28410-ZH8-003YA	CASE COMP., RECOIL STARTER *R280 *	1	
002	28410-ZH8-003YA	CASE COMP., RECOIL STARTER *R280 *	1	4363433
003	28420-ZH8-013	REEL, RECOIL STARTER (NATURAL)	1	
003	28420-ZH8-013	REEL, RECOIL STARTER (NATURAL)	1	4363433
004	28422-ZH8-013	RATCHET, STARTER	2	
004	28422-ZH8-013	RATCHET, STARTER	2	4363433
005	28433-ZH8-003	GUIDE, RATCHET	1	
005	28433-ZH8-003	GUIDE, RATCHET	1	4363433
006	28441-ZH8-003	SPRING, FRICTION	1	
006	28441-ZH8-003	SPRING, FRICTION	1	4363433
007	28442-ZH8-003	SPRING, RECOIL STARTER	1	
<u>Ref</u>	<u>Partnumber</u>	<u>Description</u>	<u>GX120K1</u>	<u>Serial Numbers</u>
007	28442-ZH8-003	SPRING, RECOIL STARTER	1	4363433
008	28443-ZH8-003	SPRING, RETURN	2	
008	28443-ZH8-003	SPRING, RETURN	2	4363433
009	28461-ZH8-003	GRIP, STARTER	1	
009	28461-ZH8-003	GRIP, STARTER	1	4363433
010	28462-ZH8-003	ROPE, RECOIL STARTER	1	
010	28462-ZH8-003	ROPE, RECOIL STARTER	1	4363433
011	90003-ZH8-003	SCREW, SETTING	1	
011	90003-ZH8-003	SCREW, SETTING	1	4363433
012	90008-ZE2-003	BOLT, FLANGE, 6X10	3	
012	90008-ZE2-003	BOLT, FLANGE, 6X10	3	4363433



ZK70-E1102

<u>Ref</u>	<u>Partnumber</u>	<u>Description</u>	<u>GX120K1</u>	<u>Serial Numbers</u>
001	28400-ZH8-023YA	STARTER ASSY., RECOIL *R280 *	1	
001	28400-ZH8-023YA	STARTER ASSY., RECOIL *R280 *	1	4363434
002	28410-ZH8-003YA	CASE COMP., RECOIL STARTER *R280 *	1	
002	28410-ZH8-003YA	CASE COMP., RECOIL STARTER *R280 *	1	4363434
003	28421-ZH8-801	REEL, RECOIL STARTER (BLACK)	1	
003	28421-ZH8-801	REEL, RECOIL STARTER (BLACK)	1	4363434
004	28422-ZH8-801	RATCHET, STARTER	2	
004	28422-ZH8-801	RATCHET, STARTER	2	4363434
005	28431-ZH8-801	PLATE, FRICTION	1	
005	28431-ZH8-801	PLATE, FRICTION	1	4363434
006	28433-ZH8-801	GUIDE, RATCHET	1	
006	28433-ZH8-801	GUIDE, RATCHET	1	4363434
007	28441-ZH8-801	SPRING, FRICTION	1	
<u>Ref</u>	<u>Partnumber</u>	<u>Description</u>	<u>GX120K1</u>	<u>Serial Numbers</u>
007	28441-ZH8-801	SPRING, FRICTION	1	4363434
008	28442-ZH8-003	SPRING, RECOIL STARTER	1	
008	28442-ZH8-003	SPRING, RECOIL STARTER	1	4363434
009	28443-ZH8-801	SPRING, RETURN	2	
009	28443-ZH8-801	SPRING, RETURN	2	4363434
010	28461-ZH8-003	GRIP, STARTER	1	
010	28461-ZH8-003	GRIP, STARTER	1	4363434
011	28462-ZH8-003	ROPE, RECOIL STARTER	1	
011	28462-ZH8-003	ROPE, RECOIL STARTER	1	4363434
012	90003-ZH8-801	SCREW, SETTING	1	
012	90003-ZH8-801	SCREW, SETTING	1	4363434
013	90008-ZE2-003	BOLT, FLANGE, 6X10	3	
013	90008-ZE2-003	BOLT, FLANGE, 6X10	3	4363434

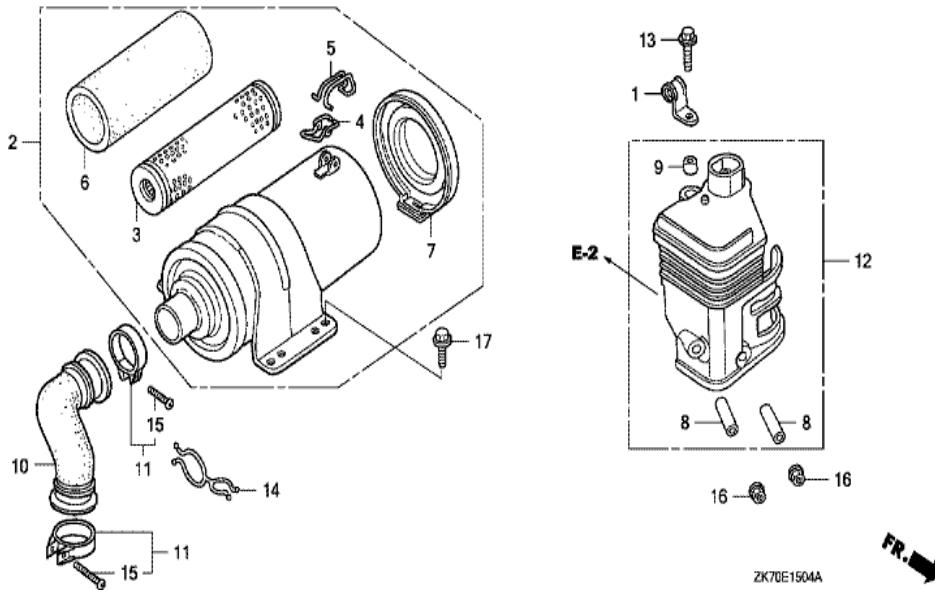


ZK70E12008

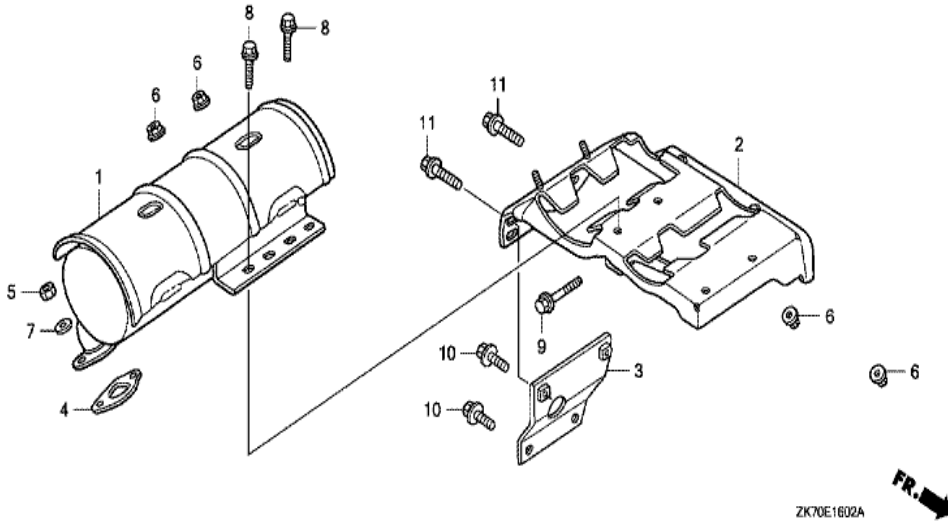
FR. →

Ref	Partnumber	Description	GX120K1	Serial Numbers
001	11347-371-300	GROMMET, ADJUSTING COVER	1	
002	19610-ZK7-V00ZD	COVER COMP., FAN *R280 *	1	
002	19610-ZK7-V00ZD	COVER COMP., FAN *R280 *	1	
002	19610-ZK7-V00ZD	COVER COMP., FAN *R280 *	1	
003	19612-ZK7-V00	PLATE, SIDE	1	
003	19612-ZK7-V00	PLATE, SIDE	1	
003	19612-ZK7-V00	PLATE, SIDE	1	
010	35120-Z0D-V81	SWITCH ASSY., ENGINE STOP	1	
011	36101-ZE1-010	CORD, STOP SWITCH (370MM)	1	
013	90013-883-000	BOLT, FLANGE, 6X12 (CT200)	4	
014	90022-888-010	BOLT, FLANGE, 6X20 (CT200)	1	

<u>Ref</u>	<u>Partnumber</u>	<u>Description</u>	<u>GX120K1</u>	<u>Serial Numbers</u>
012	16124-ZE0-005	SCREW, THROTTLE STOP	1	
013	16166-ZH7-A50	NOZZLE, MAIN	1	
014	16211-ZE0-000	INSULATOR, CARBURETOR	1	
015	16212-ZH7-800	PACKING, INSULATOR	1	
016	16220-ZE1-020	SPACER COMP., CARBURETOR	1	
017	16221-ZH8-801	PACKING, CARBURETOR	1	
020	16610-ZE1-000	LEVER COMP., CHOKE (STD.)	1	
033	94305-20122	PIN, SPRING, 2X12	1	
036	99101-ZH80580	JET, MAIN, #58	(1)	
036	99101-ZH80580	JET, MAIN, #58	(1)	
036	99101-ZH80600	JET, MAIN, #60	(1)	
036	99101-ZH80600	JET, MAIN, #60	(1)	
036	99101-ZH80600	JET, MAIN, #60	(1)	
036	99101-ZH80600	JET, MAIN, #60	(1)	
036	99101-ZH80620	JET, MAIN, #62	1	
036	99101-ZH80620	JET, MAIN, #62	1	
036	99101-ZH80620	JET, MAIN, #62	1	
036	99101-ZH80620	JET, MAIN, #62	1	
037	99204-ZE00350	JET SET, PILOT, #35	1	



Ref	Partnumber	Description	GX120K1	Serial Numbers
001	16106-KW7-900	CLIP B, TUBE	1	
008	17238-ZE7-010	COLLAR, AIR CLEANER	2	
009	17239-ZE1-000	COLLAR B, AIR CLEANER	1	
012	17410-ZE1-P30	ELBOW COMP., AIR CLEANER	1	
013	95701-0602000	BOLT, FLANGE, 6X20	1	
013	95701-0602000	BOLT, FLANGE, 6X20	1	
016	94050-06000	NUT, FLANGE, 6MM	2	



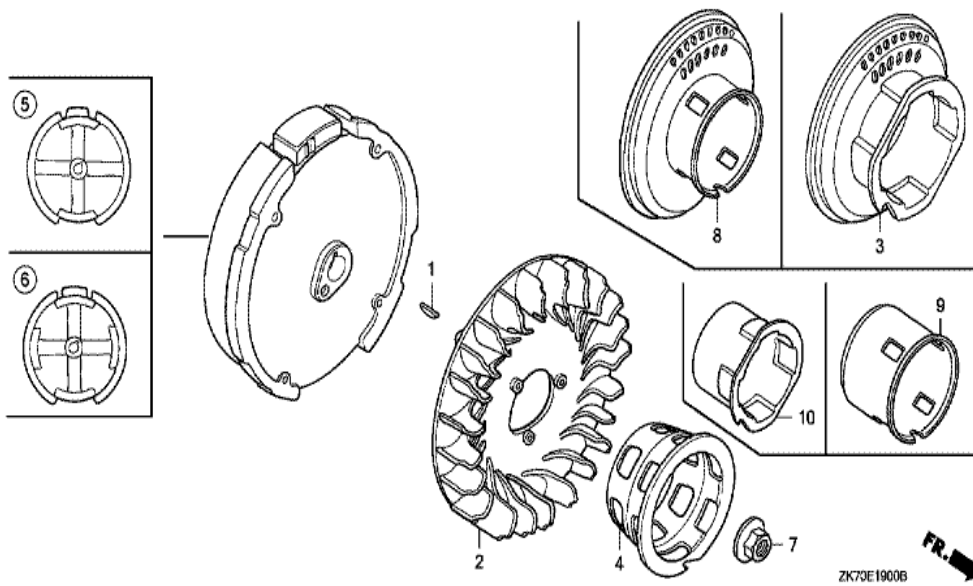
ZK70E1602A



Ref	Partnumber	Description	GX120K1	Serial Numbers
001	18310-ZK7-V01	MUFFLER COMP.	1	
002	18338-ZK7-V01	STAY COMP., MUFFLER	1	
004	18381-ZH8-800	GASKET, MUFFLER	1	
005	94001-080000S	NUT, HEX., 8MM	2	
006	94050-06000	NUT, FLANGE, 6MM	4	
007	94103-08700	WASHER, PLAIN, 8MM	2	
008	95701-0601600	BOLT, FLANGE, 6X16	2	
009	95701-0602500	BOLT, FLANGE, 6X25	1	
011	95701-0802000	BOLT, FLANGE, 8X20	2	
011	95701-0802000	BOLT, FLANGE, 8X20	2	



Ref	Partnumber	Description	GX120K1	Serial Numbers
001	16198-ZG0-U00	TUBE A, AIR VENT	1	
002	16199-ZK7-S50	TUBE	1	
002	16199-ZK7-S50	TUBE	1	
004	16854-ZH8-000	RUBBER, SUPPORTER (107MM)	1	4411475
004	35376-ZV5-830	TUBE, POWER TRIM-TILT SWITCH CORD (50MM)	1	4411476
004	35376-ZV5-830	TUBE, POWER TRIM-TILT SWITCH CORD (50MM)	1	4411476
005	16910-GB2-005	STRAINER COMP., FUEL	1	
006	16910-ZG0-U02	STRAINER COMP., FUEL	1	
008	17205-PC6-000	CLAMP, TUBE, 7.5X2	1	
023	95001-4507560	TUBE, FUEL, 4.5X75 (95001-45001-60M)	1	4411475
023	95001-4507560	TUBE, FUEL, 4.5X75 (95001-45001-60M)	1	4411475
023	95001-4535060	TUBE, FUEL, 4.5X350 (95001-45001-60M)	1	4411476
023	95001-4535060	TUBE, FUEL, 4.5X350 (95001-45001-60M)	1	4411476
<u>Ref</u>	<u>Partnumber</u>	<u>Description</u>	<u>GX120K1</u>	<u>Serial Numbers</u>
024	95001-4507560	TUBE, FUEL, 4.5X75 (95001-45001-60M)	1	4411476
024	95001-4507560	TUBE, FUEL, 4.5X75 (95001-45001-60M)	1	4411476
024	95001-4535060	TUBE, FUEL, 4.5X350 (95001-45001-60M)	1	4411475
024	95001-4535060	TUBE, FUEL, 4.5X350 (95001-45001-60M)	1	4411475
024	95001-4535060	TUBE, FUEL, 4.5X350 (95001-45001-60M)	1	4411475
026	95002-02080	CLIP, TUBE (B8)	1	
027	95002-02100	CLIP, TUBE (B10)	1	
028	95002-4080008	CLAMP, TUBE (D8)	4	
029	95002-50000	CLIP, TUBE (C9)	1	
030	16854-ZH8-810	RUBBER, SUPPORTER (50MM)	1	4411475
030	35376-ZV5-830	TUBE, POWER TRIM-TILT SWITCH CORD (50MM)	1	4411476
031	90617-SA0-003	CLIP, WIRE HARNESS	1	



Ref	Partnumber	Description	GX120K1	Serial Numbers
001	13331-357-000	KEY, SPECIAL WOODRUFF, 25X18	1	
002	19511-ZE0-000	FAN, COOLING	1	
005	31100-ZE0-010	FLYWHEEL COMP.	1	
007	90201-878-003	NUT, SPECIAL, 14MM	1	
009	28451-ZH7-801	PULLEY, STARTER	1	
009	28451-ZH7-801	PULLEY, STARTER	1	4363434
010	28451-ZH7-003	PULLEY, STARTER	1	
010	28451-ZH7-003	PULLEY, STARTER	1	4363433

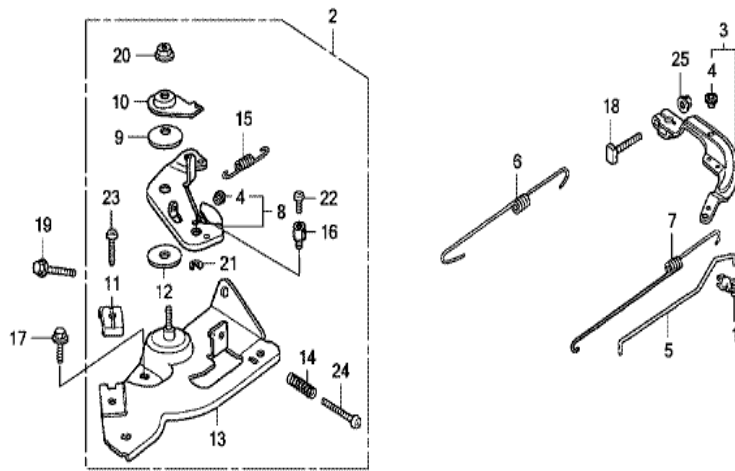


Ref	Partnumber	Description	GX120K1	Serial Numbers
001	12204-ZE1-306	GUIDE, IN. VALVE (OS)	(1)	
002	12205-ZE1-315	GUIDE, EX. VALVE (OS)	(1)	
003	12210-ZH7-405	HEAD COMP., CYLINDER	1	
003	12210-ZH7-405	HEAD COMP., CYLINDER	1	4516043
003	12210-ZH7-415	HEAD COMP., CYLINDER	1	
003	12210-ZH7-415	HEAD COMP., CYLINDER	1	
003	12210-ZH7-415	HEAD COMP., CYLINDER	1	4516044
004	12216-ZE5-300	CLIP, VALVE GUIDE	1	
005	12251-ZH7-800	GASKET, CYLINDER HEAD	(1)	
005	12251-ZH7-800	GASKET, CYLINDER HEAD	1	
005	12251-ZH7-800	GASKET, CYLINDER HEAD	1	
006	12310-ZE1-020	COVER COMP., HEAD	1	
006	12310-ZE1-020	COVER COMP., HEAD	1	
Ref	Partnumber	Description	GX120K1	Serial Numbers
007	12391-ZE1-000	PACKING, HEAD COVER	1	
008	15721-ZH8-000	TUBE, BREATHER	(1)	
008	15721-ZH8-000	TUBE, BREATHER	1	
008	15721-ZH8-000	TUBE, BREATHER	1	
009	90013-883-000	BOLT, FLANGE, 6X12 (CT200)	4	
010	90043-ZE1-020	BOLT, STUD, 6X112	2	
010	90043-ZE1-020	BOLT, STUD, 6X112	2	
010	90043-ZE1-020	BOLT, STUD, 6X112	2	
011	90047-ZE1-000	BOLT, STUD, 8X32	2	
012	94301-10160	DOWEL PIN, 10X16	2	
014	95723-0805500	BOLT, FLANGE, 8X55	4	
014	95723-0805500	BOLT, FLANGE, 8X55	4	
015	98079-54846	PLUG, SPARK (BPR4ES) (NGK)	1	
015	98079-54846	PLUG, SPARK (BPR4ES) (NGK)	1	
015	98079-54855	PLUG, SPARK (W14EPR-U) (DENSO)	1	
015	98079-54855	PLUG, SPARK (W14EPR-U) (DENSO)	1	
015	98079-54855	PLUG, SPARK (W14EPR-U) (DENSO)	1	



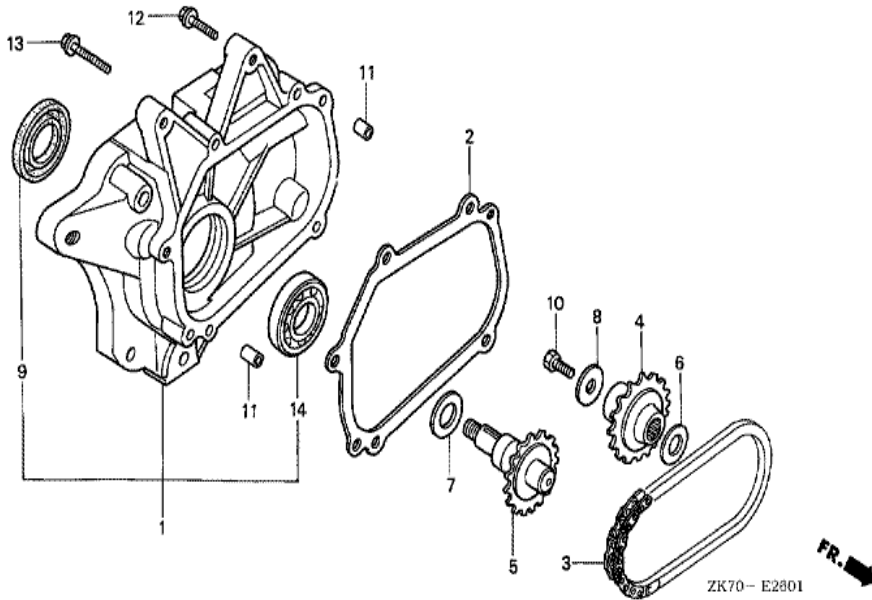
ZK70E2000D

Ref	Partnumber	Description	GX120K1	Serial Numbers
001	30500-ZE1-043	COIL ASSY., IGNITION	1	4450768
001	30500-ZE1-043	COIL ASSY., IGNITION	1	4450768
001	30500-ZE1-053	COIL ASSY., IGNITION	1	4456559
001	30500-ZE1-053	COIL ASSY., IGNITION	1	4450769
001	30500-ZE1-053	COIL ASSY., IGNITION	1	4450769
001	30500-ZE1-063	COIL ASSY., IGNITION	1	4456560
001	30500-ZE1-063	COIL ASSY., IGNITION	1	4456560
001	30500-ZE1-063	COIL ASSY., IGNITION	1	4456560
013	90121-952-000	BOLT, FLANGE, 6X25 (CT200)	2	
014	30700-ZJ1-841	CAP ASSY., NOISE SUPPRESSOR	1	



FR. →
ZK70E2203A

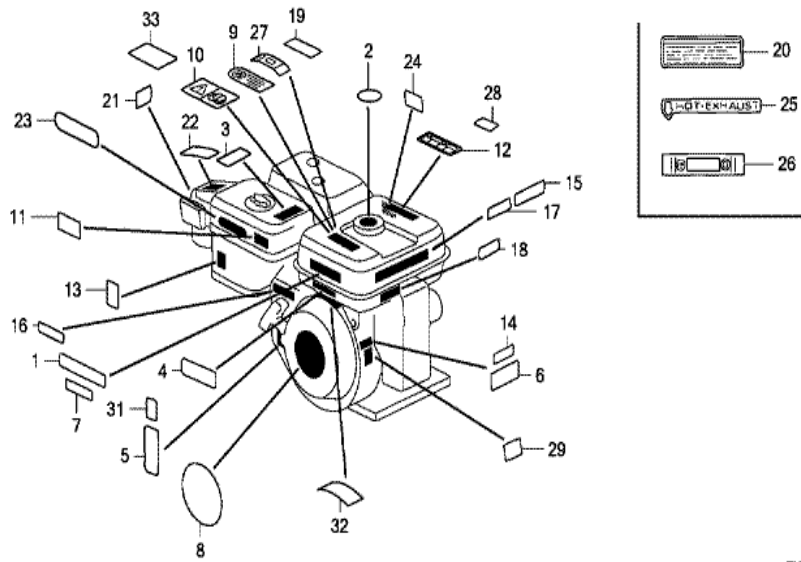
<u>Ref</u>	<u>Partnumber</u>	<u>Description</u>	<u>GX120K1</u>	<u>Serial Numbers</u>
001	16263-883-W10	JOINT, ROD	1	
002	16500-ZK7-S50	CONTROL ASSY.	1	
003	16550-ZK7-S50	ARM COMP., GOVERNOR	1	
004	16552-896-650	COLLAR, LEVER	2	
005	16555-ZK7-S30	ROD, GOVERNOR	1	
006	16561-ZK7-S50	SPRING, GOVERNOR	1	
007	16562-ZE0-020	SPRING, THROTTLE RETURN	1	
008	16570-ZK7-S50	LEVER COMP., CONTROL	1	
009	16574-ZE1-000	SPRING, LEVER	1	
010	16575-ZH8-000	WASHER, CONTROL LEVER	1	
011	16576-891-000	HOLDER, CABLE	1	
012	16578-ZE1-000	SPACER, CONTROL LEVER	1	
013	16580-ZH7-810	BASE COMP., CONTROL (###)	1	
<u>Ref</u>	<u>Partnumber</u>	<u>Description</u>	<u>GX120K1</u>	<u>Serial Numbers</u>
014	16584-883-300	SPRING, CONTROL ADJUSTING	1	
015	16592-ZE1-810	SPRING, CABLE RETURN	1	
016	16594-883-010	HOLDER, WIRE	1	
017	90013-883-000	BOLT, FLANGE, 6X12 (CT200)	1	
018	90015-ZE5-010	BOLT, GOVERNOR ARM	1	
019	90022-888-010	BOLT, FLANGE, 6X20 (CT200)	1	
020	90114-SA0-000	NUT, SELF-LOCK, 6MM	1	
021	90605-230-000	CIRCLIP, 5MM	1	
022	93500-040060H	SCREW, PAN, 4X6	1	
023	93500-050160A	SCREW, PAN, 5X16	1	
024	93500-050250H	SCREW, PAN, 5X25	1	
025	94050-06000	NUT, FLANGE, 6MM	1	



ZK70-E2801

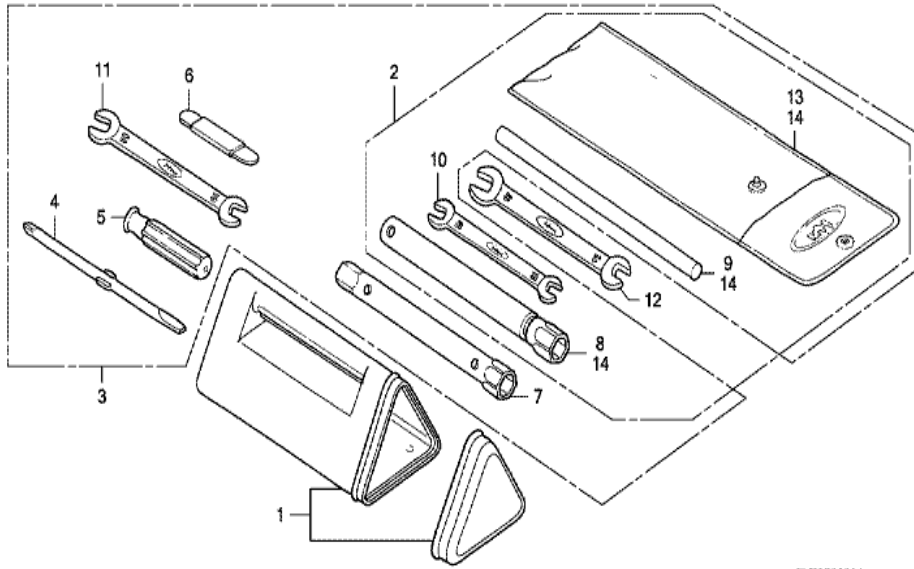


<u>Ref</u>	<u>Partnumber</u>	<u>Description</u>	<u>GX120K1</u>	<u>Serial Numbers</u>
001	11500-ZK7-V00	COVER ASSY., CHAIN CASE	1	
002	11521-ZK7-V00	PACKING, CHAIN CASE COVER	1	
003	14411-ZK7-V01	CHAIN, P.T.O. DRIVE	1	
004	23121-ZK7-V00	SPROCKET, DRIVE (17T)	1	
005	23151-ZK7-V00	SHAFT, P.T.O. (16T)	1	
006	90454-428-000	WASHER, THRUST, 20MM	1	
007	90456-ZE1-000	SPRING, THRUST	1	
008	90471-ZE1-610	WASHER, 8MM	1	
009	91252-888-003	OIL SEAL, 25X38X7 (ARAI)	1	
010	92101-080250A	BOLT, HEX., 8X25	1	
011	94303-08140	DOWEL PIN, 8X14	2	
012	95701-0803500	BOLT, FLANGE, 8X35	4	
013	95701-0805500	BOLT, FLANGE, 8X55	1	
<u>Ref</u>	<u>Partnumber</u>	<u>Description</u>	<u>GX120K1</u>	<u>Serial Numbers</u>
014	96100-6005000	BEARING, RADIAL BALL, 6005	1	



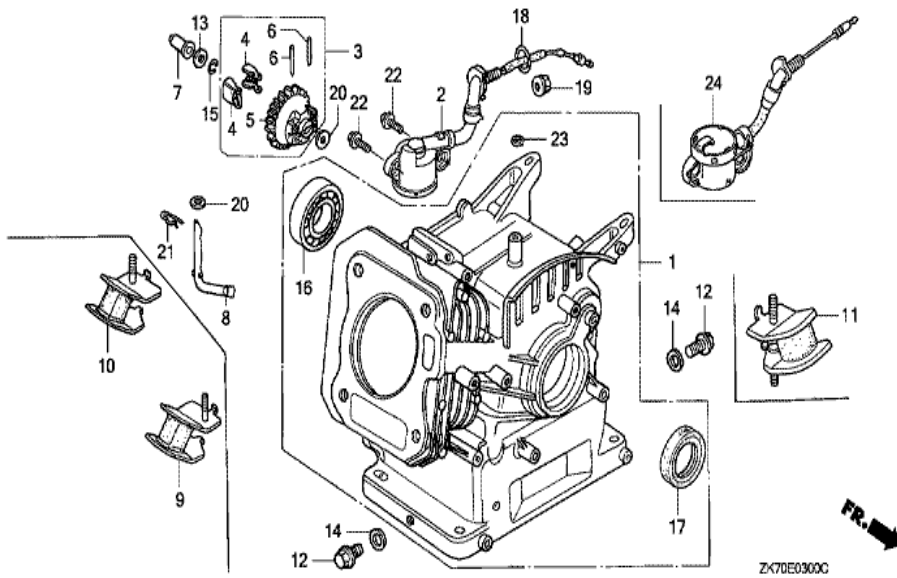
ZK70E2800D

Ref	Partnumber	Description	GX120K1	Serial Numbers
001	87522-ZH9-010	LABEL, CAUTION (ENGLISH, ETC.)	1	
001	87522-ZH9-010	LABEL, CAUTION (ENGLISH, ETC.)	1	
008	87521-ZH7-030	EMBLEM (4.0)	1	
008	87521-ZH7-030	EMBLEM (4.0)	1	
008	87521-ZH7-030	EMBLEM (4.0)	1	
010	87522-ZH8-W41	MARK, CAUTION (PICTOGRAPH)	1	
013	87528-733-E91	MARK, CHOKE (H=34)	1	
013	87528-733-E91	MARK, CHOKE (H=34)	1	
013	87528-733-E91	MARK, CHOKE (H=34)	1	4550192
013	87528-ZE1-810	MARK, CHOKE	1	4462599
013	87528-ZE1-810	MARK, CHOKE	1	
013	87528-ZE1-810	MARK, CHOKE	1	
013	87528-ZE1-810	MARK, CHOKE	(1)	

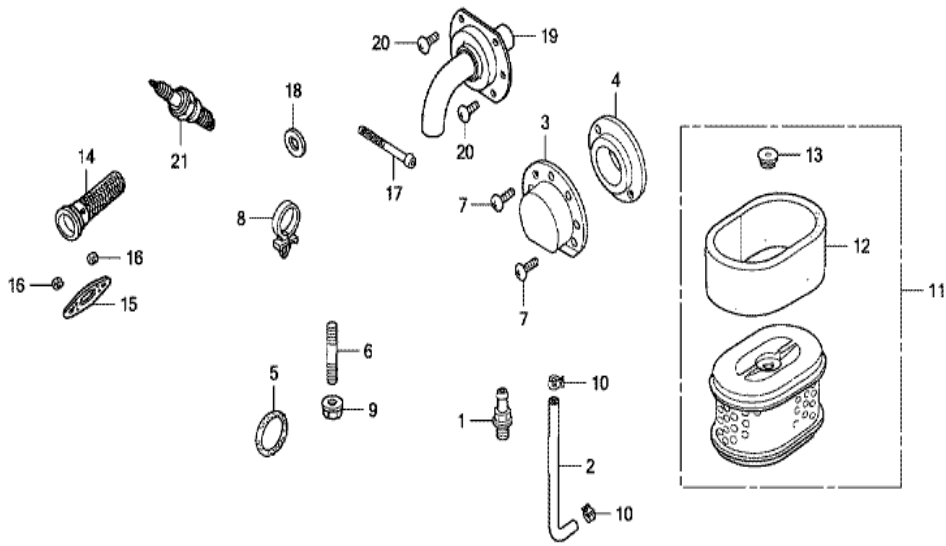


ZK70E2900A

Ref	Partnumber	Description	GX120K1	Serial Numbers
008	89218-ZE1-000	WRENCH COMP., SPARK PLUG	1	

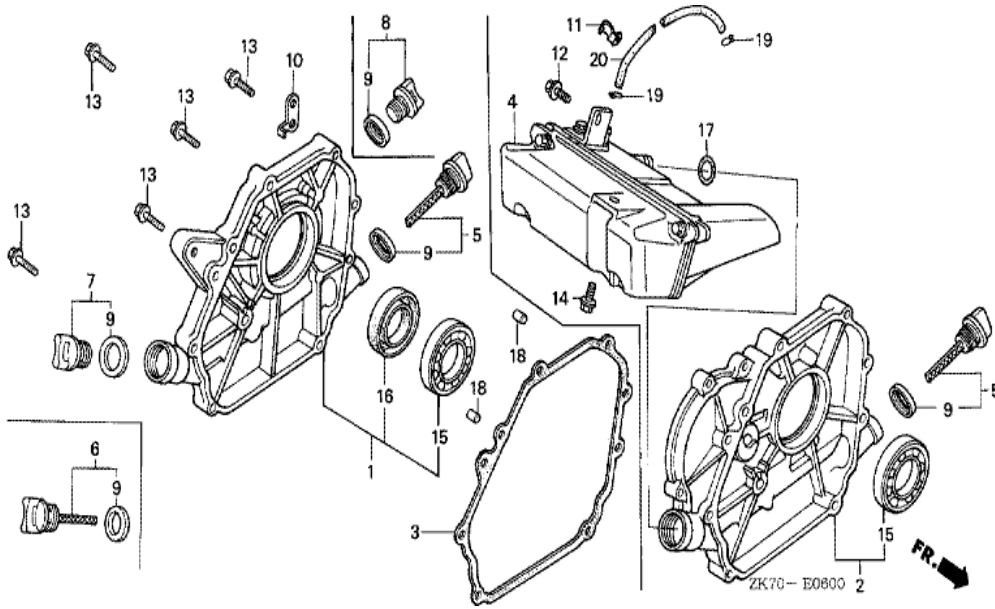


<u>Ref</u>	<u>Partnumber</u>	<u>Description</u>	<u>GX120K1</u>	<u>Serial Numbers</u>
001	12000-ZK7-405	BARREL ASSY., CYLINDER	1	
001	12000-ZK7-405	BARREL ASSY., CYLINDER	1	
001	12000-ZK7-405	BARREL ASSY., CYLINDER	1	
003	16510-ZE1-000	GOVERNOR ASSY.	1	
004	16511-ZE1-000	WEIGHT, GOVERNOR	2	
005	16512-ZE1-000	HOLDER, GOVERNOR WEIGHT	1	
006	16513-ZE1-000	PIN, GOVERNOR WEIGHT	2	
007	16531-ZE1-000	SLIDER, GOVERNOR	1	
008	16541-ZE1-000	SHAFT, GOVERNOR ARM	1	
012	90131-ZE1-000	BOLT, DRAIN PLUG	2	
013	90451-ZE1-000	WASHER, THRUST, 6MM	1	
014	90601-ZE1-000	WASHER, DRAIN PLUG, 10.2MM	2	
015	90602-ZE1-000	CLIP, GOVERNOR HOLDER	1	
<u>Ref</u>	<u>Partnumber</u>	<u>Description</u>	<u>GX120K1</u>	<u>Serial Numbers</u>
016	91001-878-003	BEARING, RADIAL BALL,	1	
017	91202-ZE6-013	OIL SEAL, 22X35X6	1	
020	94101-06800	WASHER, PLAIN, 6MM	2	
021	94251-08000	PIN, LOCK, 8MM	1	
023	91231-891-003	OIL SEAL, 6X11X4 (ARAI)	1	

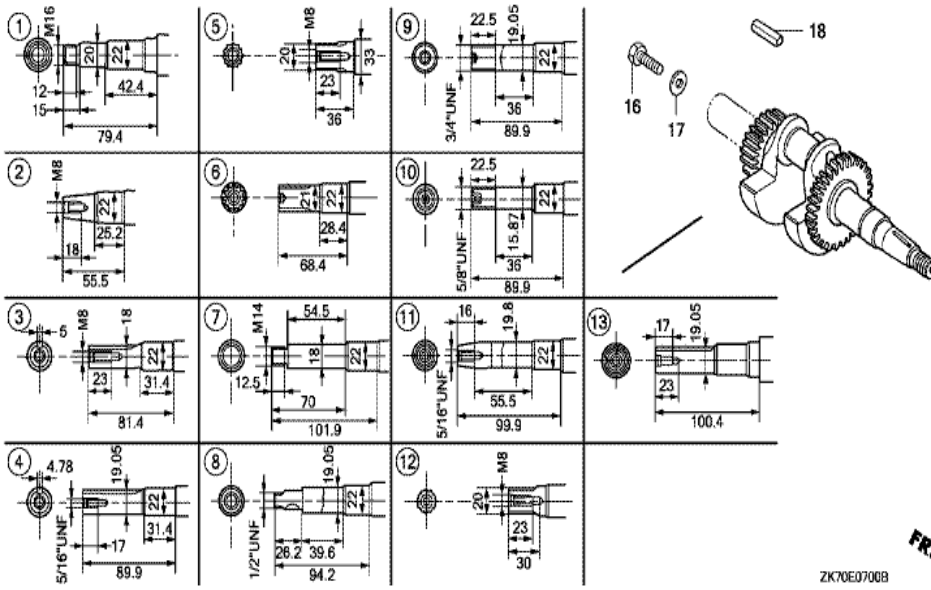


ZK70E4000E

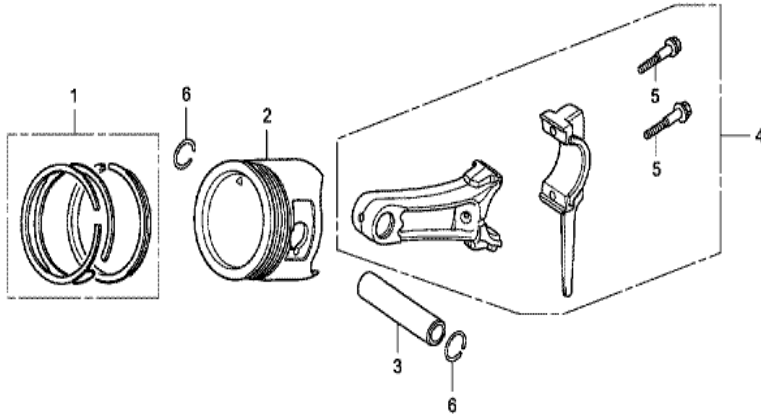
Ref	Partnumber	Description	GX120K1	Serial Numbers
006	90001-ZK7-V00	BOLT, STUD, 10X32	3	
006	90002-ZK7-V00	BOLT, STUD, 10X60	1	
006	90002-ZK7-V00	BOLT, STUD, 10X60	1	
009	94050-10000	NUT, FLANGE, 10MM	4	
011	17210-ZE1-822	ELEMENT, AIR CLEANER (DUAL)	1	
012	17218-ZE1-821	FILTER, OUTER	1	
013	17232-891-000	GROMMET, AIR CLEANER	1	



<u>Ref</u>	<u>Partnumber</u>	<u>Description</u>	<u>GX120K1</u>	<u>Serial Numbers</u>
002	11300-ZK7-V00	COVER ASSY., CRANKCASE	1	
002	11300-ZK7-V00	COVER ASSY., CRANKCASE	1	
003	11381-ZK7-V00	PACKING, CASE COVER	1	
003	11381-ZK7-V00	PACKING, CASE COVER	1	
004	15500-ZK7-V00	TANK ASSY., OIL	1	
005	15600-ZE1-003	CAP ASSY., OIL FILLER (GRAY)	1	
009	15625-ZE1-003	PACKING, OIL FILLER CAP	1	
012	90014-952-000	BOLT, FLANGE, 6X14 (CT200)	1	
013	90015-883-000	BOLT, FLANGE, 6X28 (CT200)	7	
014	90029-888-000	BOLT, FLANGE, 6X16 (CT200)	1	
015	91001-878-003	BEARING, RADIAL BALL,	1	
017	91304-MJ0-003	O-RING, 15.8X2.4 (SHOWA)	1	
018	94303-08140	DOWEL PIN, 8X14	2	
<u>Ref</u>	<u>Partnumber</u>	<u>Description</u>	<u>GX120K1</u>	<u>Serial Numbers</u>
018	94303-08140	DOWEL PIN, 8X14	2	
019	95002-02070	CLIP, TUBE (B7)	2	
020	95005-3515010	TUBE, 3.5X150 (95005-35001-10M)	1	



Ref	Partnumber	Description	GX120K1	Serial Numbers
012	13310-ZK7-V00	CRANKSHAFT COMP.	1	

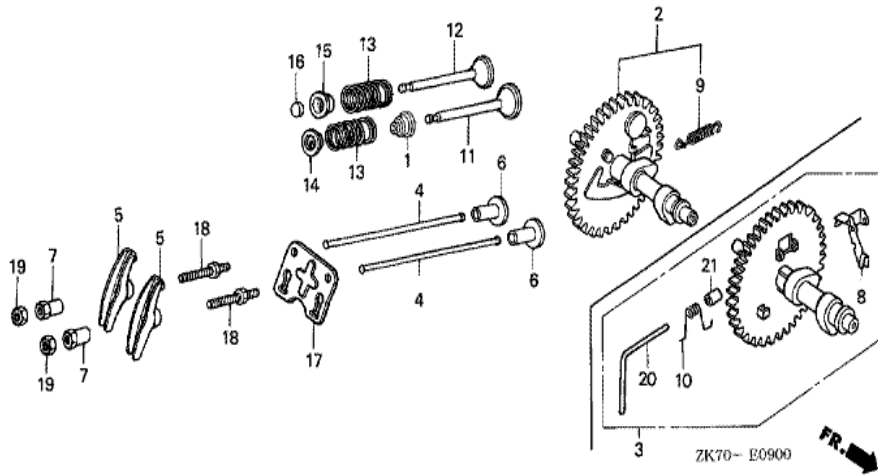


ZK70E0800A



Ref	Partnumber	Description	GX120K1	Serial Numbers
001	13010-ZH7-003	RING SET, PISTON (STD.) (TEIKOKU)	1	4554249
001	13010-ZH7-003	RING SET, PISTON (STD.) (TEIKOKU)	1	
001	13010-ZH7-004	RING SET, PISTON (STD.) (NIPPON)	1	4554249
001	13010-ZH7-004	RING SET, PISTON (STD.) (NIPPON)	1	
001	13011-ZH7-003	RING SET, PISTON (0.25) (TEIKOKU)	(1)	
001	13011-ZH7-003	RING SET, PISTON (0.25) (TEIKOKU)	(1)	
001	13011-ZH7-004	RING SET, PISTON (0.25) (NIPPON)	(1)	
001	13011-ZH7-004	RING SET, PISTON (0.25) (NIPPON)	(1)	
001	13012-ZH7-003	RING SET, PISTON (0.50) (TEIKOKU)	(1)	4554249
001	13012-ZH7-003	RING SET, PISTON (0.50) (TEIKOKU)	(1)	
001	13012-ZH7-004	RING SET, PISTON (0.50) (NIPPON)	(1)	4554249
001	13012-ZH7-004	RING SET, PISTON (0.50) (NIPPON)	(1)	
001	13013-ZH7-003	RING SET, PISTON (0.75) (TEIKOKU)	(1)	4554249

<u>Ref</u>	<u>Partnumber</u>	<u>Description</u>	<u>GX120K1</u>	<u>Serial Numbers</u>
001	13013-ZH7-003	RING SET, PISTON (0.75) (TEIKOKU)	(1)	
001	13013-ZH7-004	RING SET, PISTON (0.75) (NIPPON)	(1)	
001	13013-ZH7-004	RING SET, PISTON (0.75) (NIPPON)	(1)	
002	13101-ZH7-010	PISTON (STD.)	1	
002	13101-ZH7-010	PISTON (STD.)	1	
002	13101-ZH7-010	PISTON (STD.)	1	4554249
002	13102-ZH7-010	PISTON (0.25)	(1)	4554249
002	13102-ZH7-010	PISTON (0.25)	(1)	
002	13102-ZH7-010	PISTON (0.25)	(1)	
002	13102-ZH7-010	PISTON (0.25)	(1)	4554249
002	13103-ZH7-010	PISTON (0.50)	(1)	4554249
002	13103-ZH7-010	PISTON (0.50)	(1)	
002	13103-ZH7-010	PISTON (0.50)	(1)	
002	13103-ZH7-010	PISTON (0.50)	(1)	4554249
002	13104-ZH7-010	PISTON (0.75)	(1)	
002	13104-ZH7-010	PISTON (0.75)	(1)	
002	13104-ZH7-010	PISTON (0.75)	(1)	
002	13104-ZH7-010	PISTON (0.75)	(1)	4554249
003	13111-ZE0-000	PIN, PISTON	1	
004	13200-ZE0-000	ROD ASSY., CONNECTING	1	
005	90001-ZE1-000	BOLT, CONNECTING ROD	2	
006	90551-ZE0-000	CLIP, PISTON PIN, 13MM	2	



<u>Ref</u>	<u>Partnumber</u>	<u>Description</u>	<u>GX120K1</u>	<u>Serial Numbers</u>
001	12209-ZH8-003	SEAL, VALVE STEM	1	
002	14100-ZH7-B20	CAMSHAFT ASSY.	1	
002	14100-ZH7-B20	CAMSHAFT ASSY.	1	
002	14100-ZH7-B20	CAMSHAFT ASSY.	1	
004	14410-ZE0-010	ROD, PUSH	2	
005	14431-ZE1-000	ARM, VALVE ROCKER	2	
006	14441-ZE1-010	LIFTER, VALVE	2	
007	14451-ZE1-013	PIVOT, ROCKER ARM	2	
007	14451-ZE1-013	PIVOT, ROCKER ARM	2	
009	14568-ZE1-000	SPRING, WEIGHT RETURN	1	
011	14711-ZF0-010	VALVE, IN.	1	
011	14711-ZF0-010	VALVE, IN.	1	
012	14721-ZF0-000	VALVE, EX.	1	
<u>Ref</u>	<u>Partnumber</u>	<u>Description</u>	<u>GX120K1</u>	<u>Serial Numbers</u>
013	14751-ZF1-000	SPRING, VALVE	2	
014	14771-ZE1-000	RETAINER, IN. VALVE SPRING	1	
015	14773-ZE1-000	RETAINER, EX. VALVE SPRING	1	
016	14781-ZE1-000	ROTATOR, VALVE	1	
017	14791-ZE0-010	PLATE, PUSH ROD GUIDE	1	
018	90012-ZE0-010	BOLT, PIVOT, 8MM	2	
019	90206-ZE1-000	NUT, PIVOT ADJUSTING	2	