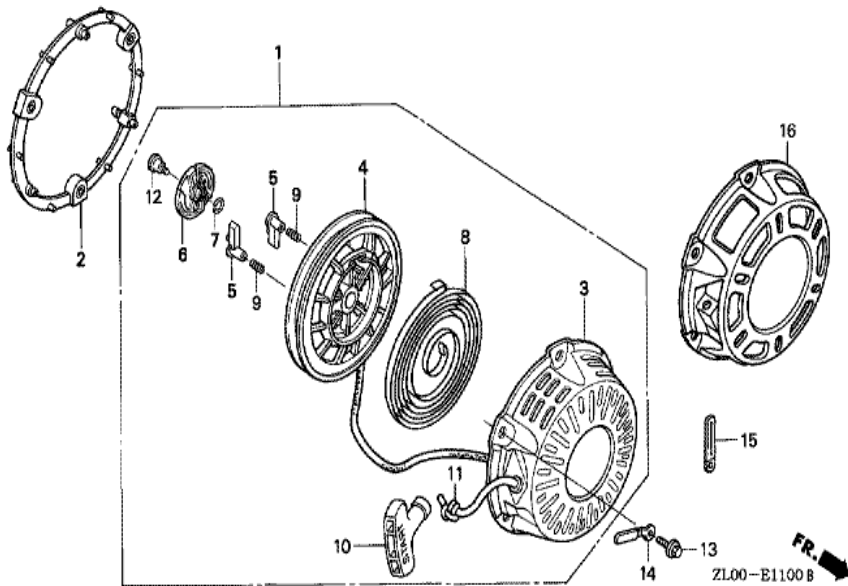
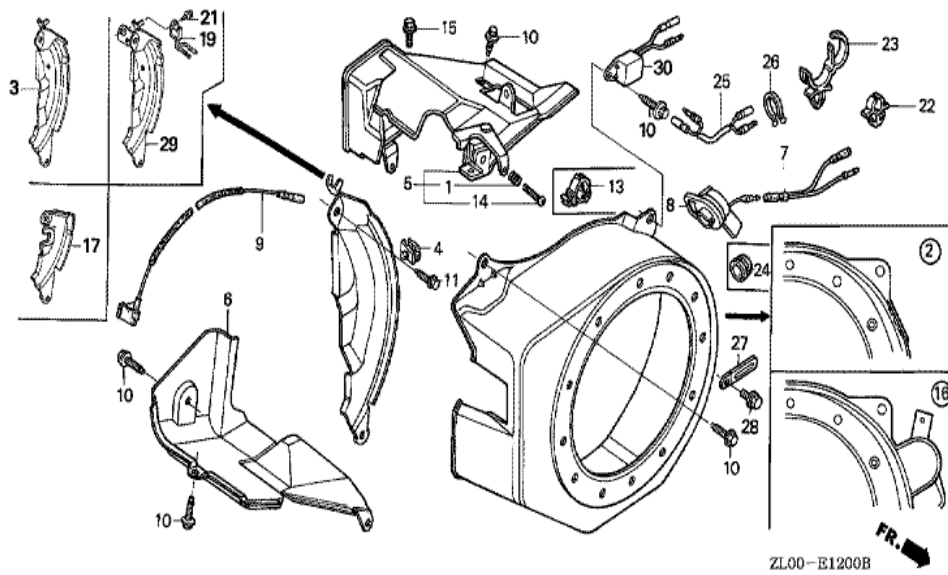


GX200(QXH4)	E-11 RECOIL STARTER (1)
-------------	-------------------------



<u>Ref</u>	<u>Partnumber</u>	<u>Description</u>	<u>GX200</u>	<u>Serial Numbers</u>
001	28400-ZH8-013YA	STARTER ASSY., RECOIL *R280 *	1	1812940
001	28400-ZH8-013ZA	STARTER ASSY., RECOIL *R8 *	1	1812939
001	28400-ZH8-013ZA	STARTER ASSY., RECOIL *R8 *	1	1812939
002	28405-ZL0-000ZB	SPACER, RECOIL STARTER MOUNTING *	1	1812939
002	28405-ZL0-000ZB	SPACER, RECOIL STARTER MOUNTING *	1	1812939
002	28405-ZL0-000ZD	SPACER, RECOIL STARTER MOUNTING *	1	1812940
002	28405-ZL0-000ZD	SPACER, RECOIL STARTER MOUNTING *	1	1812940
003	28410-ZH8-003YA	CASE COMP., RECOIL STARTER *R280 *	1	1812940
003	28410-ZH8-003ZA	CASE COMP., RECOIL STARTER *R8 *	1	1812939
003	28410-ZH8-003ZA	CASE COMP., RECOIL STARTER *R8 *	1	1812939
004	28420-ZH8-013	REEL, RECOIL STARTER (NATURAL)	1	
005	28422-ZH8-013	RATCHET, STARTER	2	
006	28433-ZH8-003	GUIDE, RATCHET	1	
<u>Ref</u>	<u>Partnumber</u>	<u>Description</u>	<u>GX200</u>	<u>Serial Numbers</u>
007	28441-ZH8-003	SPRING, FRICTION	1	
008	28442-ZH8-003	SPRING, RECOIL STARTER	1	
009	28443-ZH8-003	SPRING, RETURN	2	
010	28461-ZH8-003	GRIP, STARTER	1	
011	28462-ZH8-003	ROPE, RECOIL STARTER	1	
012	90003-ZH8-003	SCREW, SETTING	1	
013	95701-0601800	BOLT, FLANGE, 6X18	3	
013	95701-0601800	BOLT, FLANGE, 6X18	3	

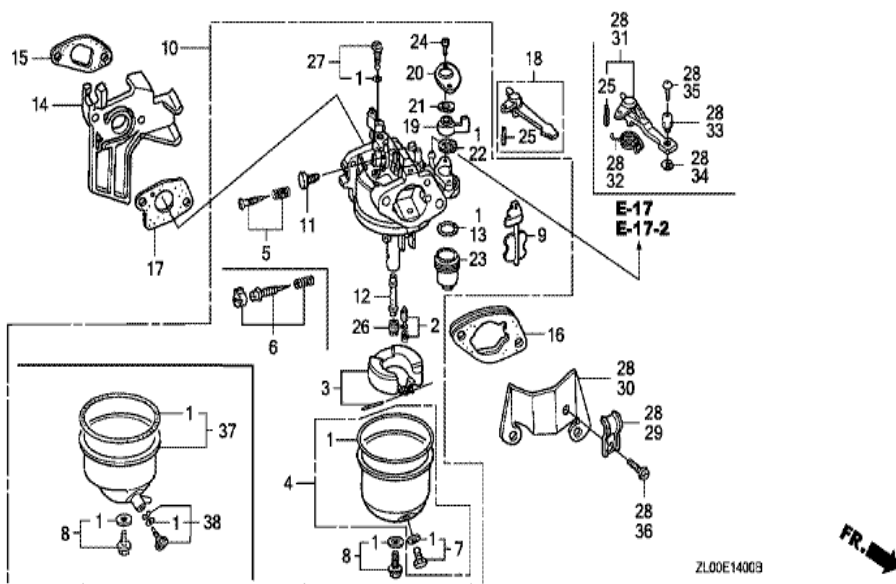
GX200(QXH4)	E-12 FAN COVER
-------------	----------------



Ref	Partnumber	Description	GX200	Serial Numbers
006	19630-ZH8-000	SHROUD COMP.	1	
009	36101-ZB2-010	CORD, STOP SWITCH (395MM)	1	
009	36101-ZB2-010	CORD, STOP SWITCH (395MM)	1	1156171
010	90013-883-000	BOLT, FLANGE, 6X12 (CT200)	4	
010	90013-883-000	BOLT, FLANGE, 6X12 (CT200)	6	
016	19610-ZL0-830ZB	COVER COMP., FAN *R8 *	1	1812939
016	19610-ZL0-830ZB	COVER COMP., FAN *R8 *	1	1812939
016	19610-ZL0-830ZD	COVER COMP., FAN *R280 *	1	1812940
016	19610-ZL0-830ZD	COVER COMP., FAN *R280 *	1	1812940
017	19612-ZH8-840	PLATE, SIDE (STARTER MOTOR)	1	

GX200(OXH4)

E-14 CARBURETOR (1)



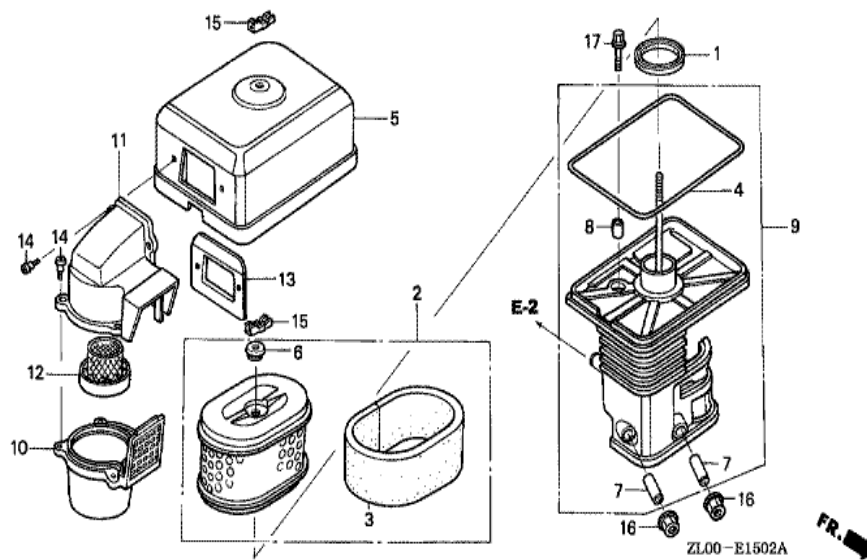
ZL00E14003



Ref	Partnumber	Description	GX200	Serial Numbers
001	16010-ZE1-812	GASKET SET	1	
001	16010-ZE1-812	GASKET SET	1	
002	16011-ZE0-005	VALVE SET, FLOAT	1	
003	16013-ZE0-005	FLOAT SET	1	
004	16015-ZE0-831	CHAMBER SET, FLOAT	1	
004	16015-ZE0-831	CHAMBER SET, FLOAT	1	BE64B B
006	16016-ZH7-W01	SCREW SET, PILOT	1	
007	16024-ZE1-811	SCREW SET, DRAIN	1	
008	16028-ZE0-005	SCREW SET	1	
009	16044-ZE0-005	CHOKE SET	1	
010	16100-ZL0-V21	CARBURETOR ASSY. (BE64F B)	1	1122111
010	16100-ZL0-V21	CARBURETOR ASSY. (BE64F B)	1	
010	16100-ZL0-V21	CARBURETOR ASSY. (BE64F B)	1	

<u>Ref</u>	<u>Partnumber</u>	<u>Description</u>	<u>GX200</u>	<u>Serial Numbers</u>
011	16124-ZE0-005	SCREW, THROTTLE STOP	1	
012	16166-ZL0-V20	NOZZLE, MAIN	1	
013	16173-001-004	PACKING, FUEL STRAINER CUP	1	
014	16211-ZL0-000	INSULATOR, CARBURETOR	1	
015	16212-ZH8-800	PACKING, INSULATOR	1	
016	16220-ZE1-020	SPACER COMP., CARBURETOR	1	
016	16220-ZE1-020	SPACER COMP., CARBURETOR	1	
017	16221-ZH8-801	PACKING, CARBURETOR	1	
019	16953-ZE1-812	LEVER, COCK	1	BE64D B
019	16953-ZE1-812	LEVER, COCK	1	
019	16953-ZE1-812	LEVER, COCK	1	
020	16954-ZE1-812	PLATE, LEVER SETTING	1	BE64G B
020	16954-ZE1-812	PLATE, LEVER SETTING	1	
021	16956-ZE1-811	SPRING, COCK LEVER	1	
022	16957-ZE1-812	PACKING, FUEL COCK	1	
023	16967-ZE0-811	CUP, FUEL STRAINER	1	
024	93500-030061H	SCREW, PAN, 3X6	2	
024	93500-030061H	SCREW, PAN, 3X6	2	BE64A B
025	94305-20122	PIN, SPRING, 2X12	1	
026	99101-ZH80700	JET, MAIN, #70	(1)	
026	99101-ZH80700	JET, MAIN, #70	(1)	
026	99101-ZH80720	JET, MAIN, #72	(1)	BE64R A
026	99101-ZH80720	JET, MAIN, #72	(1)	
026	99101-ZH80750	JET, MAIN, #75	1	BE69A B
026	99101-ZH80750	JET, MAIN, #75	1	
027	99204-ZA00450	JET SET, PILOT, #45	1	
029	16582-883-300	HOLDER, CONTROL CABLE	1	
030	16598-ZE1-000	STAY, CHOKE CONTROL	1	
031	16610-ZE1-810	LEVER COMP., CHOKE (REMOTE)	1	
032	16615-ZE1-010	SPRING, RETURN	1	
033	16617-890-010	HOLDER, CABLE	1	
034	90605-230-000	CIRCLIP, 5MM	1	
035	93500-040080A	SCREW, PAN, 4X8	1	
<u>Ref</u>	<u>Partnumber</u>	<u>Description</u>	<u>GX200</u>	<u>Serial Numbers</u>
036	93500-050080A	SCREW, PAN, 5X8	1	

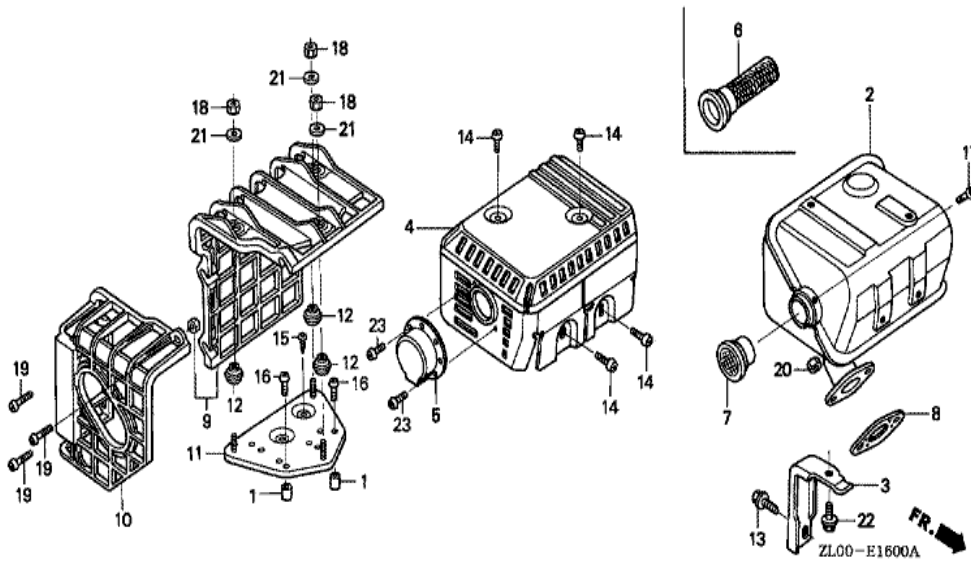
GX200(QXH4)	E-15-2 AIR CLEANER (CYCLONE)
-------------	------------------------------



<u>Ref</u>	<u>Partnumber</u>	<u>Description</u>	<u>GX200</u>	<u>Serial Numbers</u>
001	16271-ZE1-000	PACKING, ELBOW	1	
002	17210-ZE1-822	ELEMENT, AIR CLEANER (DUAL)	1	
003	17218-ZE1-821	FILTER, OUTER	1	
004	17219-733-010	PACKING, AIR CLEANER COVER	1	
005	17230-ZE1-841	COVER, AIR CLEANER (CYCLONE)	1	
006	17232-891-000	GROMMET, AIR CLEANER	1	
007	17238-ZE7-010	COLLAR, AIR CLEANER	2	
008	17239-733-000	COLLAR B, AIR CLEANER	1	
009	17410-ZE1-840	ELBOW COMP., AIR CLEANER	1	
010	17470-ZE1-842	CASE, PRE AIR CLEANER	1	
010	17470-ZE1-842	CASE, PRE AIR CLEANER	1	
011	17475-ZE1-841	CAP, PRE AIR CLEANER	1	
012	17476-ZE1-841	GUIDE, PRE AIR CLEANER	1	
<u>Ref</u>	<u>Partnumber</u>	<u>Description</u>	<u>GX200</u>	<u>Serial Numbers</u>
013	17478-ZE1-841	PLATE, PRE AIR CLEANER	1	
014	90300-GB0-900	BOLT, MUDGUARD	5	
015	90325-044-000	NUT, TOOL BOX SETTING	2	
016	94050-06000	NUT, FLANGE, 6MM	2	
017	95701-0602000	BOLT, FLANGE, 6X20	1	

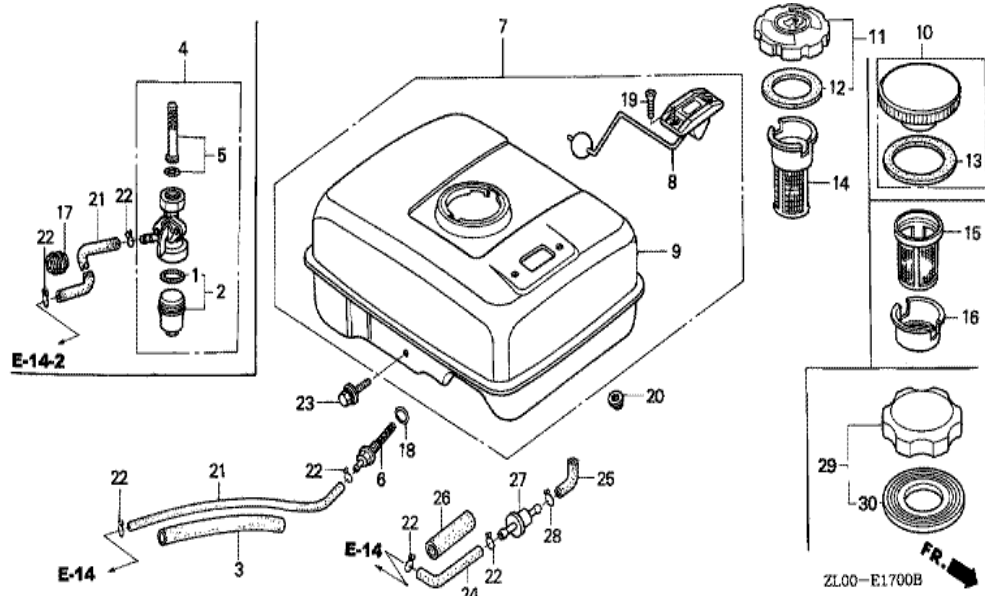
GX200(OXH4)

E-16 MUFFLER (1)



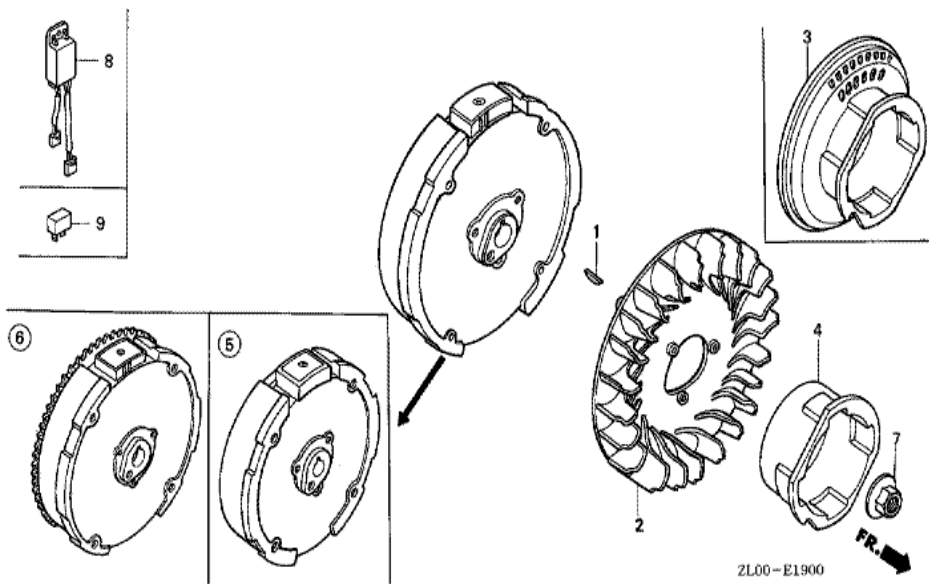
Ref	Partnumber	Description	GX200	Serial Numbers
002	18310-ZL0-800	MUFFLER COMP. (ARRESTER)	1	1383992
002	18310-ZL0-800	MUFFLER COMP. (ARRESTER)	1	
003	18315-ZE1-000	STAY, MUFFLER	1	
004	18320-ZF1-H51	PROTECTOR, MUFFLER (SILENT)	1	
006	18355-ZL0-000	ARRESTER, SPARK	1	
008	18381-ZH8-800	GASKET, MUFFLER	1	
013	90016-ZE1-000	BOLT, FLANGE, 6X13 (CT200)	1	
014	90050-ZE1-000	SCREW, TAPPING, 5X8	4	
017	90056-ZL0-000	SCREW, TAPPING, 4X6	1	
017	90056-ZL0-000	SCREW, TAPPING, 4X6	1	
020	94001-080000S	NUT, HEX., 8MM	2	
022	95701-0601200	BOLT, FLANGE, 6X12	1	

GX200(OXH4)	E-17 FUEL TANK (1)
-------------	--------------------



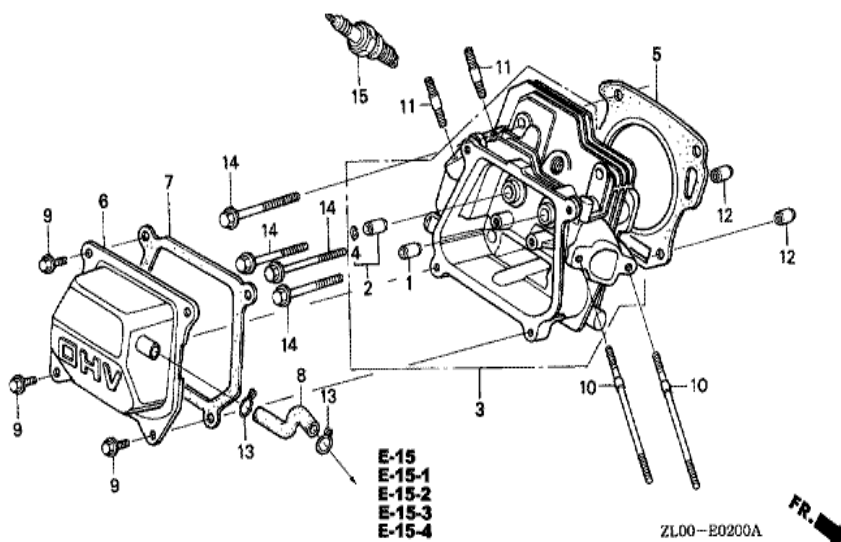
Ref	Partnumber	Description	GX200	Serial Numbers
003	16854-ZH8-000	RUBBER, SUPPORTER (107MM)	1	
006	16955-ZE1-000	JOINT, FUEL TANK	1	
009	17510-ZE1-020ZA	TANK COMP., FUEL *NH31 *	1	
011	17620-ZH7-023	CAP COMP., FUEL FILLER (BLACK)	1	
011	17620-ZH7-023	CAP COMP., FUEL FILLER (BLACK)	1	1849430
012	17631-ZH7-003	PACKING, FUEL FILLER CAP (39X58X3)	1	
012	17631-ZH7-003	PACKING, FUEL FILLER CAP (39X58X3)	1	1849430
015	17672-880-000	FILTER, FUEL	1	
016	17673-893-000	HOLDER, FUEL FILTER	1	
018	91353-671-004	O-RING, 14MM (NOK)	1	
020	94050-06000	NUT, FLANGE, 6MM	2	
021	95001-4514040	TUBE, FUEL, 4.5X140 (95001-45001-60M)	1	
021	95001-4514040	TUBE, FUEL, 4.5X140 (95001-45001-60M)	1	1044774
Ref	Partnumber	Description	GX200	Serial Numbers
022	95002-02080	CLIP, TUBE (B8)	2	
023	90004-ZL0-003	BOLT, FLANGE, 6X34	1	
029	17620-Z0T-305	CAP COMP., FUEL FILLER (CHROME PLATED)	1	1849431
029	17620-Z0T-305	CAP COMP., FUEL FILLER (CHROME PLATED)	1	1849431
030	17631-Z0T-812	PACKING, FUEL FILLER CAP (39X62X3) (TOUY)	1	1849431

GX200(QXH4)	E-19 FLYWHEEL
-------------	---------------



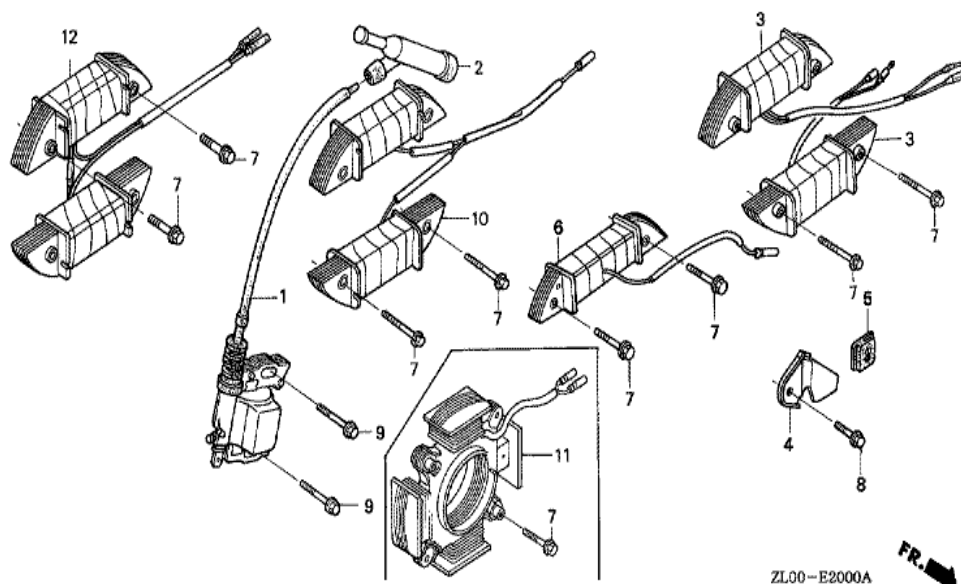
Ref	Partnumber	Description	GX200	Serial Numbers
001	13331-357-000	KEY, SPECIAL WOODRUFF, 25X18	1	
002	19511-ZE1-000	FAN, COOLING	1	
004	28451-ZL0-000	PULLEY, STARTER	1	
004	28451-ZL0-000	PULLEY, STARTER	1	
006	31110-ZL0-U52	FLYWHEEL COMP. (SEL-7A)	1	
006	31110-ZL0-U52	FLYWHEEL COMP. (SEL-7A)	1	
007	90201-878-003	NUT, SPECIAL, 14MM	1	

GX200(QXH4)	E-2 CYLINDER HEAD
-------------	-------------------



<u>Ref</u>	<u>Partnumber</u>	<u>Description</u>	<u>GX200</u>	<u>Serial Numbers</u>
001	12204-ZE1-306	GUIDE, IN. VALVE (OS)	(1)	
002	12205-ZE1-315	GUIDE, EX. VALVE (OS)	(1)	
003	12210-ZL0-405	HEAD COMP., CYLINDER	1	
004	12216-ZE5-300	CLIP, VALVE GUIDE	1	
005	12251-ZL0-003	GASKET, CYLINDER HEAD (NIPPON LEAKLESS)	1	
006	12310-ZE1-842	COVER COMP., HEAD (BREATHER TUBE)	1	
006	12310-ZE1-842	COVER COMP., HEAD (BREATHER TUBE)	1	
007	12391-ZE1-000	PACKING, HEAD COVER	1	
008	15721-ZE1-840	TUBE, BREATHER	1	
008	15721-ZE1-840	TUBE, BREATHER	1	
009	90013-883-000	BOLT, FLANGE, 6X12 (CT200)	4	
010	90043-ZE1-020	BOLT, STUD, 6X112	2	
010	90043-ZE1-020	BOLT, STUD, 6X112	2	
<u>Ref</u>	<u>Partnumber</u>	<u>Description</u>	<u>GX200</u>	<u>Serial Numbers</u>
011	90047-ZE1-000	BOLT, STUD, 8X32	2	
012	94301-10160	DOWEL PIN, 10X16	2	
013	95002-80000	CLIP, TUBE (C12)	2	
014	95723-0806000	BOLT, FLANGE, 8X60	4	
015	98079-56846	PLUG, SPARK (BPR6ES) (NGK)	1	
015	98079-56846	PLUG, SPARK (BPR6ES) (NGK)	1	
015	98079-56855	PLUG, SPARK (W20EPR-U) (DENSO)	1	1122111
015	98079-56855	PLUG, SPARK (W20EPR-U) (DENSO)	1	

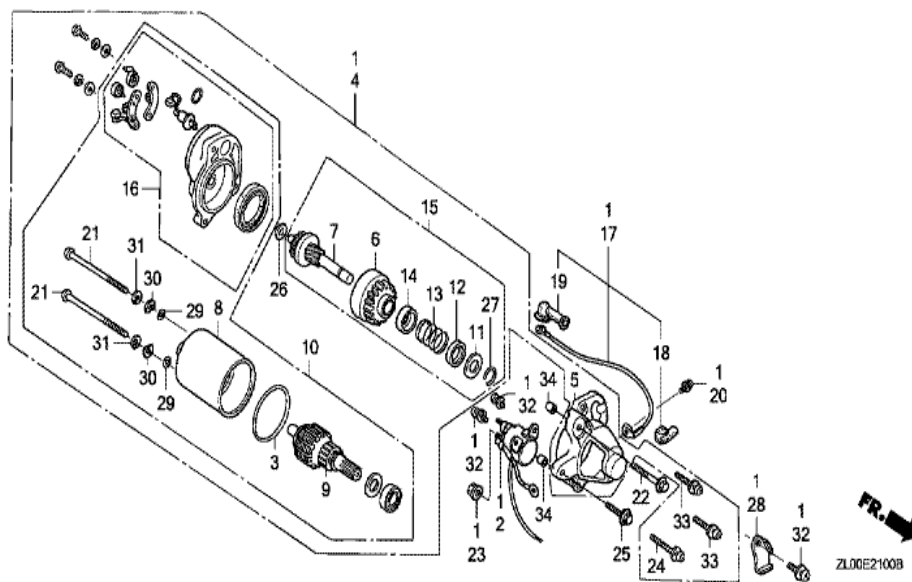
GX200(QXH4)	E-20 IGNITION COIL
-------------	--------------------



Ref	Partnumber	Description	GX200	Serial Numbers
001	30500-ZE1-033	COIL ASSY., IGNITION	1	
001	30500-ZE1-033	COIL ASSY., IGNITION	1	1741677
001	30500-ZE1-043	COIL ASSY., IGNITION	1	1741678
001	30500-ZE1-043	COIL ASSY., IGNITION	1	1741678
002	30700-ZE1-013	CAP ASSY., NOISE SUPPRESSOR (NICHIWA Y-E	1	
002	30700-ZE1-013	CAP ASSY., NOISE SUPPRESSOR (NICHIWA Y-E	1	
004	31511-ZE1-000	CLAMPER, CORD	1	
005	31512-ZE1-000	GROMMET, CORD	1	
007	90015-883-000	BOLT, FLANGE, 6X28 (CT200)	2	
007	90015-883-000	BOLT, FLANGE, 6X28 (CT200)	4	
008	90019-883-000	BOLT, FLANGE, 5X10	1	
009	90121-952-000	BOLT, FLANGE, 6X25 (CT200)	2	
011	31630-ZH8-W01	COIL ASSY., CHARGE (12V-7A)	1	

GX200(QXH4)

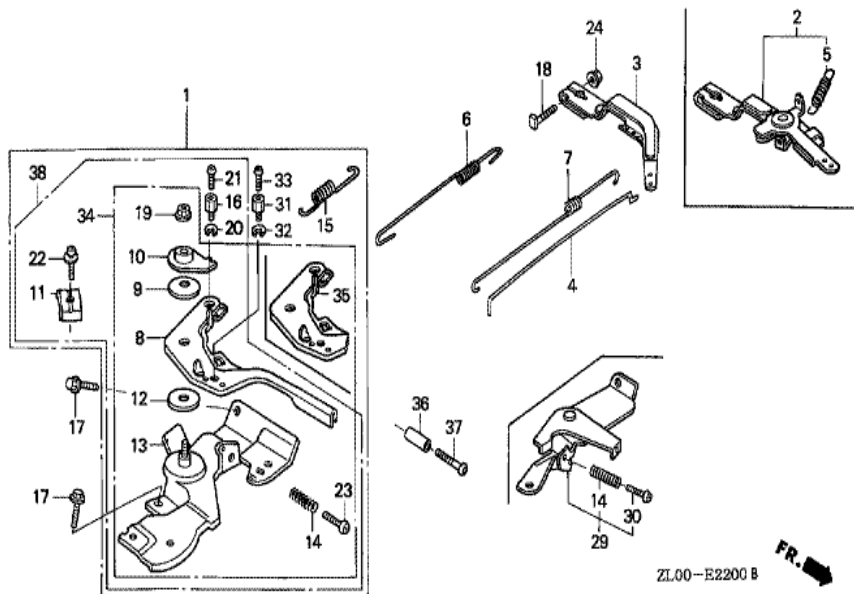
E-21 STARTER MOTOR



Ref	Partnumber	Description	GX200	Serial Numbers
001	31200-ZL0-811	MOTOR ASSY., STARTER	1	
002	31204-ZE1-003	SWITCH COMP., STARTING MAGNET	1	
003	31206-KN7-670	O-RING	1	
004	31210-ZE1-723	MOTOR UNIT, STARTER (SM-11205) (181MM)	1	
005	31212-ZE1-003	COVER COMP., GEAR	1	
006	31214-ZE1-003	PINION ASSY.	1	
007	31215-ZE1-003	SHAFT UNIT, GEAR	1	
008	31216-ZE1-731	YOKE ASSY.	1	
009	31217-ZE1-722	ROTOR ASSY.	1	
010	31220-ZE1-722	MOTOR ONLY	1	
011	31221-ZE1-003	PIECE A, STOPPER	1	
012	31222-ZE1-003	PIECE B, STOPPER	1	
013	31223-ZE1-003	SPRING, RETURN	1	

<u>Ref</u>	<u>Partnumber</u>	<u>Description</u>	<u>GX200</u>	<u>Serial Numbers</u>
014	31224-ZE1-003	COVER, SPRING	1	
015	31230-ZE1-003	GEAR ASSY.	1	
016	31235-ZE1-013	BRACKET COMP., FR.	1	
017	32410-ZE1-000	CORD, MAGNET SWITCH	1	
018	32411-ZE1-000	COVER, MAGNETIC SWITCH	1	
019	32411-253-000	COVER, STARTER MOTOR TERMINAL	1	
020	90010-ZE1-003	SCREW-WASHER, 5X8	1	
021	90012-ZE1-721	BOLT, SETTING	2	
022	90017-883-000	BOLT, FLANGE, 6X32 (CT200)	1	
023	90071-MB0-000	NUT-WASHER, 6MM	2	
024	90115-GB4-700	SCREW-WASHER, 5X30	1	
025	90121-952-000	BOLT, FLANGE, 6X25 (CT200)	1	
026	90502-187-701	WASHER, PINION	1	
027	90603-ZE1-003	CIRCLIP, 10.2MM	1	
028	90631-ZE1-003	HOLDER, HARNESS	1	
029	91301-ZE1-003	O-RING	2	
030	91402-ZE6-003	WASHER, SPECIAL	2	
031	91403-ZE6-003	WASHER, SPRING	2	
032	93892-0501408	SCREW-WASHER, 5X14	3	
033	93892-0502008	SCREW-WASHER, 5X20	2	
034	94301-08100	DOWEL PIN, 8X10	2	

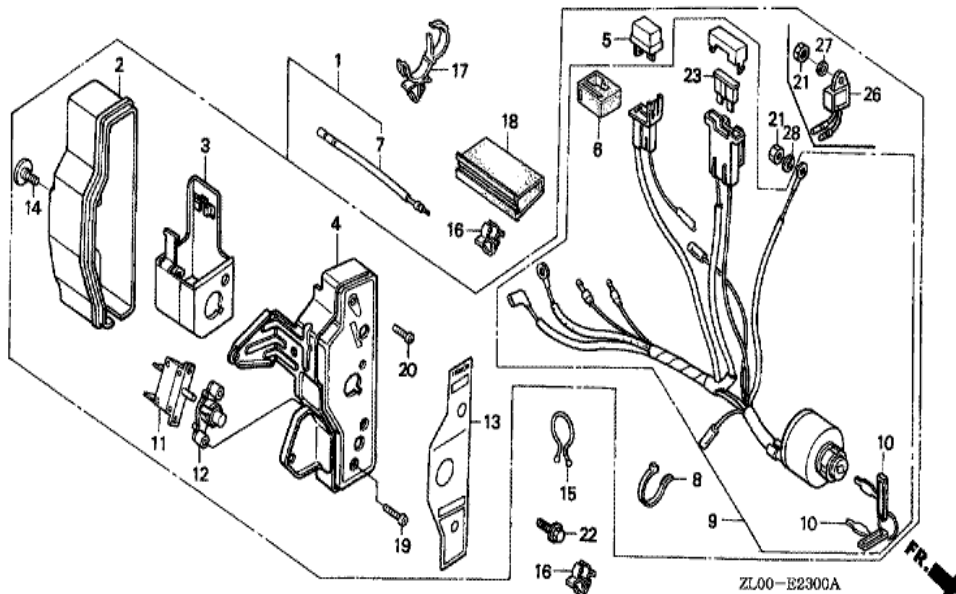
GX200(QXH4)	E-22 CONTROL
-------------	--------------



Ref	Partnumber	Description	GX200	Serial Numbers
001	16500-ZH8-P40	CONTROL ASSY. (CYCLONE-REMOTE)	1	
001	16500-ZH8-P40	CONTROL ASSY. (CYCLONE-REMOTE)	1	
003	16551-ZL0-000	ARM, GOVERNOR	1	
004	16555-ZE1-000	ROD, GOVERNOR	1	
006	16561-ZL0-000	SPRING, GOVERNOR	1	
007	16562-ZE1-020	SPRING, THROTTLE RETURN	1	
008	16571-ZH8-020	LEVER, CONTROL	1	1288956
008	16571-ZH8-020	LEVER, CONTROL	1	
009	16574-ZE1-000	SPRING, LEVER	1	
010	16575-ZH8-000	WASHER, CONTROL LEVER	1	
011	16576-891-000	HOLDER, CABLE	1	
012	16578-ZE1-000	SPACER, CONTROL LEVER	1	
013	16580-ZH8-853	BASE COMP., CONTROL (CYCLONE) (###)	1	1288956
<u>Ref</u>	<u>Partnumber</u>	<u>Description</u>	<u>GX200</u>	<u>Serial Numbers</u>
013	16580-ZH8-853	BASE COMP., CONTROL (CYCLONE) (###)	1	
014	16584-883-300	SPRING, CONTROL ADJUSTING	1	
015	16592-ZE1-810	SPRING, CABLE RETURN	1	
017	90013-883-000	BOLT, FLANGE, 6X12 (CT200)	2	
018	90015-ZE5-010	BOLT, GOVERNOR ARM	1	
019	90114-SAO-000	NUT, SELF-LOCK, 6MM	1	
022	93500-050160A	SCREW, PAN, 5X16	1	
023	93500-050250H	SCREW, PAN, 5X25	1	1113369
023	93500-050250H	SCREW, PAN, 5X25	1	
024	94050-06000	NUT, FLANGE, 6MM	1	

GX200(QXH4)

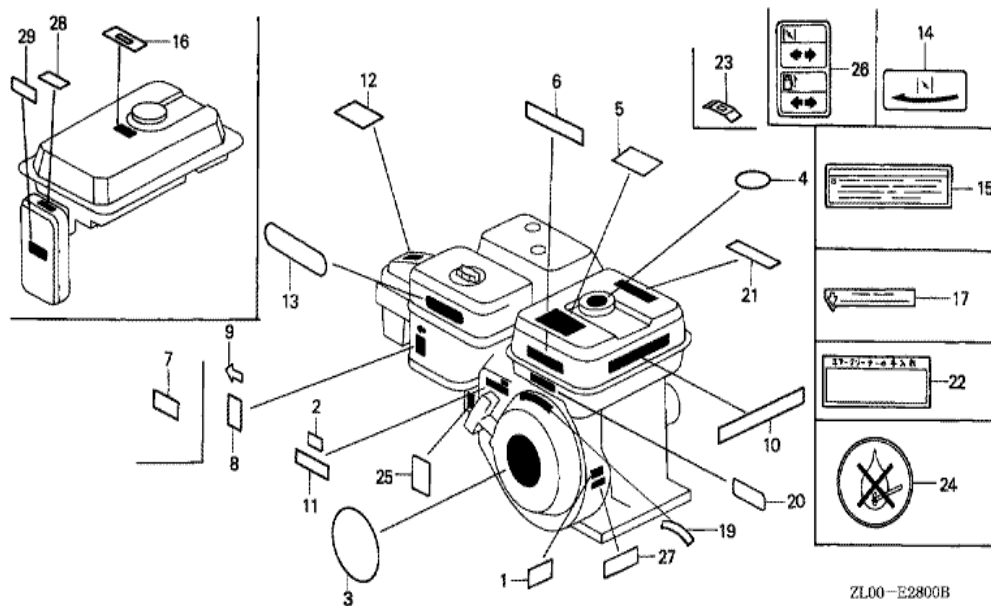
E-23 CONTROL BOX



Ref	Partnumber	Description	GX200	Serial Numbers
001	31610-ZH8-W52ZB	BOX ASSY., CONTROL (EXTERNAL-10A) *R8 *	1	1829719
001	31610-ZH8-W52ZB	BOX ASSY., CONTROL (EXTERNAL-10A) *R8 *	1	1829719
001	31610-ZH8-W52ZB	BOX ASSY., CONTROL (EXTERNAL-10A) *R8 *	1	1829719
001	31610-ZH8-W52ZE	BOX ASSY., CONTROL (EXTERNAL-10A) *R280	1	1829720
001	31610-ZH8-W52ZE	BOX ASSY., CONTROL (EXTERNAL-10A) *R280	1	1829720
001	31610-ZH8-W52ZE	BOX ASSY., CONTROL (EXTERNAL-10A) *R280	1	1829720
002	31612-ZE2-003	CASE, CONTROL	1	
003	31614-ZE2-003	BRACKET, CASE MOUNTING	1	
004	31615-ZE1-003ZB	PANEL COMP., CONTROL *R8 *	1	1156171 1814177
004	31615-ZE1-003ZB	PANEL COMP., CONTROL *R8 *	1	1814177
004	31615-ZE1-003ZG	PANEL COMP., CONTROL *R280 *	1	1814178
004	31615-ZE1-003ZG	PANEL COMP., CONTROL *R280 *	1	1814178
007	32197-ZE1-003	HARNESS, SUB WIRE	1	

<u>Ref</u>	<u>Partnumber</u>	<u>Description</u>	<u>GX200</u>	<u>Serial Numbers</u>
008	32902-892-003	BAND	1	
009	35100-ZH8-R90	SWITCH ASSY., COMBINATION (10A CHG/RCM)	1	1156171
009	35100-ZH8-R90	SWITCH ASSY., COMBINATION (10A CHG/RCM)	1	
010	35111-880-003	KEY COMP.	1	1960505
010	35111-880-013	KEY COMP. (HONDA LOCK)	1	1960506
010	35111-880-013	KEY COMP. (HONDA LOCK)	1	1960506
013	87529-ZE2-860	MARK, CONTROL BOX (EXTERNAL-REGULATOR)	1	1156171
013	87529-ZE2-860	MARK, CONTROL BOX (EXTERNAL-REGULATOR)	1	
014	90380-MA6-010	SCREW, SPECIAL, 6X12	1	
015	90630-751-000	CLIP, PURSE LOCK	1	
016	90682-ZE1-000	CLIP, CORD	2	
017	90690-SA0-003	STRAP, WIRE HARNESS, 25MM (BLACK)	1	
018	91406-ZE2-003	TUBE, FASTENER, 30MM	1	
020	93500-040120H	SCREW, PAN, 4X12	1	
021	94001-043900S	NUT, HEX., 4MM	1	1156170
021	94001-043900S	NUT, HEX., 4MM	1	1156270
021	94001-043900S	NUT, HEX., 4MM	2	
022	95701-0601000	BOLT, FLANGE, 6X10	1	
023	98200-31500	FUSE, BLADE (15A)	1	1156171
023	98200-31500	FUSE, BLADE (15A)	1	
026	34150-ZH7-003	ALERT UNIT, OIL	1	
027	94101-04800	WASHER, PLAIN, 4MM	1	
028	94111-04800	WASHER, SPRING, 4MM	1	

GX200(QXH4)	E-28 LABEL
-------------	------------

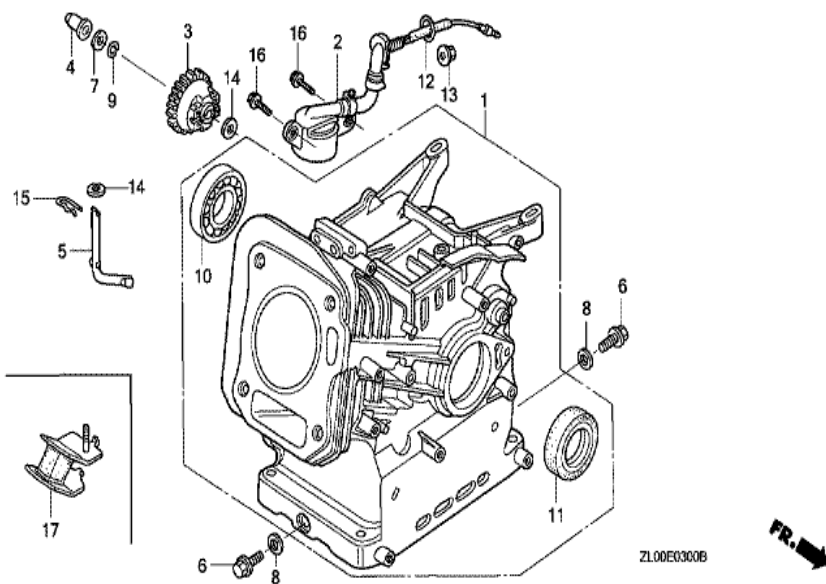


ZL00-E2800B

Ref	Partnumber	Description	GX200	Serial Numbers
003	87521-ZL0-010	EMBLEM (6.5)	1	1593166 1812502
003	87521-ZL0-010	EMBLEM (6.5)	1	1812502
003	87521-ZL0-020	EMBLEM (6.5)	1	1812503
003	87521-ZL0-020	EMBLEM (6.5)	1	1812503
005	87522-ZH8-W40	MARK, CAUTION (PICTOGRAPH)	1	
005	87522-ZH8-W40	MARK, CAUTION (PICTOGRAPH)	1	
011	87532-ZH8-W40	MARK, THROTTLE INDICATION	1	
013	87535-ZE1-840	MARK, AIR CLEANER SALES POINT	1	1829719
013	87535-ZE1-841	MARK, AIR CLEANER SALES POINT	1	1829720

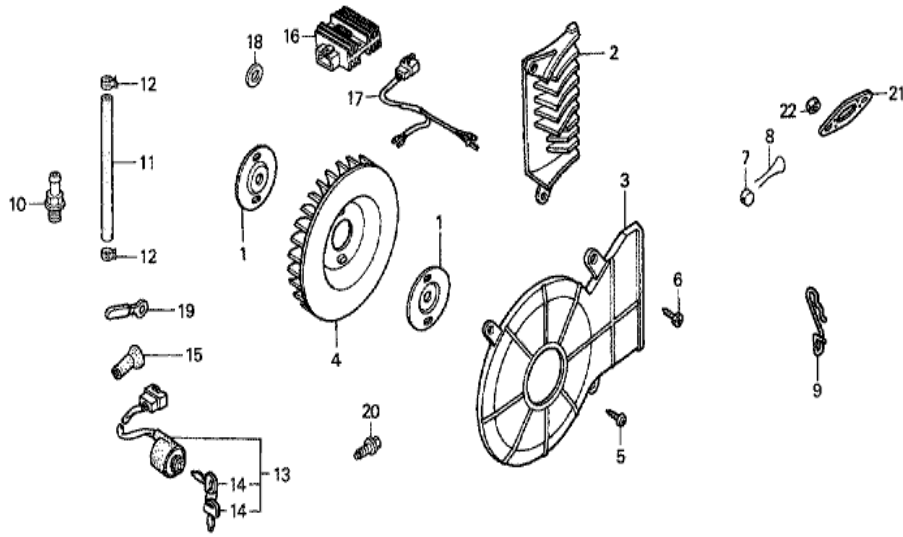
GX200(QXH4)

E-3 CYLINDER BARREL



<u>Ref</u>	<u>Partnumber</u>	<u>Description</u>	<u>GX200</u>	<u>Serial Numbers</u>
001	12000-ZL0-407	BARREL ASSY., CYLINDER	1	1853341
001	12000-ZL0-407	BARREL ASSY., CYLINDER	1	1853341
001	12000-ZL0-417	BARREL ASSY., CYLINDER	1	1853342
001	12000-ZL0-417	BARREL ASSY., CYLINDER	1	1853342
002	15510-ZE1-033	SWITCH ASSY., OIL LEVEL	1	
003	16506-ZL0-000	GOVERNOR ASSY.	1	
004	16531-ZE1-000	SLIDER, GOVERNOR	1	
005	16541-ZE1-000	SHAFT, GOVERNOR ARM	1	
006	90131-ZE1-000	BOLT, DRAIN PLUG	2	
007	90451-ZE1-000	WASHER, THRUST, 6MM	1	
008	90601-ZE1-000	WASHER, DRAIN PLUG, 10.2MM	2	
009	90602-ZE1-000	CLIP, GOVERNOR HOLDER	1	
010	91001-ZF1-003	BEARING, RADIAL BALL (6205TMB) (NTN)	1	
<u>Ref</u>	<u>Partnumber</u>	<u>Description</u>	<u>GX200</u>	<u>Serial Numbers</u>
010	91001-ZF1-004	BEARING, RADIAL BALL (6205SH) (KOYO)	1	
010	91001-ZF1-004	BEARING, RADIAL BALL (6205SH) (KOYO)	1	
011	91201-ZOT-801	OIL SEAL, 25X41X6 (NOK)	1	1853342
011	91201-ZOT-801	OIL SEAL, 25X41X6 (NOK)	1	1853342
011	91202-883-005	OIL SEAL, 25X41X6	1	1853341
011	91202-883-005	OIL SEAL, 25X41X6	1	1853341
012	91353-671-004	O-RING, 14MM (NOK)	1	
013	94050-10000	NUT, FLANGE, 10MM	1	
014	94101-06800	WASHER, PLAIN, 6MM	2	
015	94251-08000	PIN, LOCK, 8MM	1	
016	95701-0601200	BOLT, FLANGE, 6X12	2	

GX200(QXH4)	E-40 OTHER PARTS
-------------	------------------

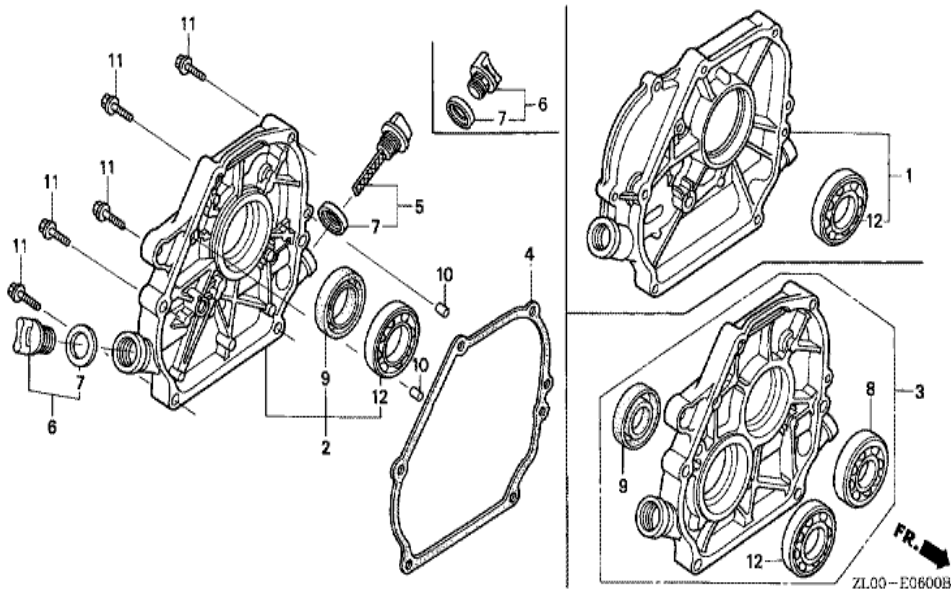


ZL00-E4000 B

Ref	Partnumber	Description	GX200	Serial Numbers
016	31600-ZE2-861	RECTIFIER ASSY., REGULATOR (10A)	1	
017	32110-ZB5-G30	HARNESS ASSY., SUB WIRE	1	

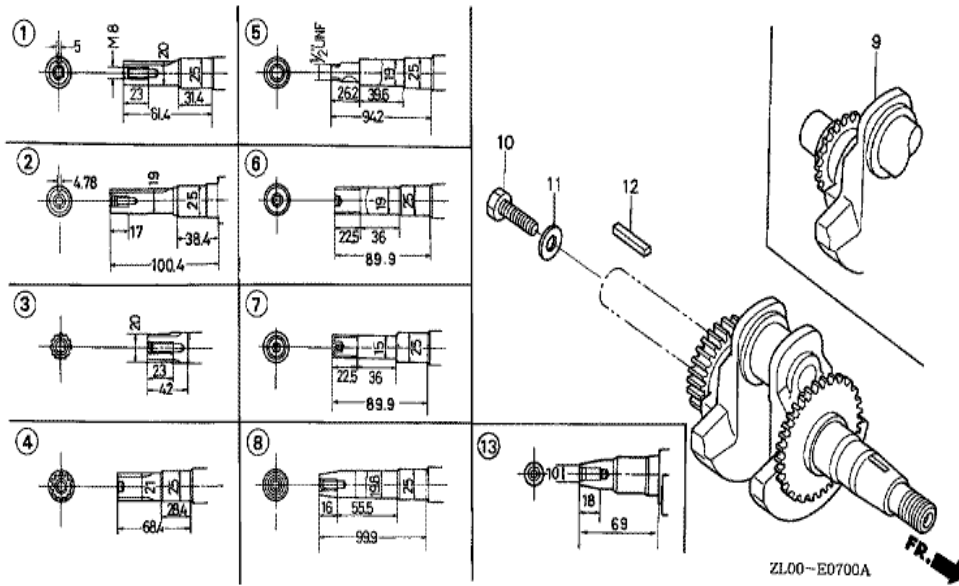
GX200(QXH4)

E-6 CRANKCASE COVER (1)



<u>Ref</u>	<u>Partnumber</u>	<u>Description</u>	<u>GX200</u>	<u>Serial Numbers</u>
002	11300-ZE1-641	COVER ASSY., CRANKCASE	1	1854346
002	11300-ZE1-641	COVER ASSY., CRANKCASE	1	1854346
002	11300-ZE1-642	COVER ASSY., CRANKCASE	1	1856156
002	11300-ZE1-642	COVER ASSY., CRANKCASE	1	1854347
004	11381-ZL0-000	PACKING, CASE COVER	1	
004	11381-ZL0-000	PACKING, CASE COVER	1	
005	15600-ZE1-003	CAP ASSY., OIL FILLER (GRAY)	1	
006	15600-ZG4-003	CAP ASSY., OIL FILLER	1	
007	15625-ZE1-003	PACKING, OIL FILLER CAP	2	
009	91201-ZOT-801	OIL SEAL, 25X41X6 (NOK)	1	1854327
009	91201-ZOT-801	OIL SEAL, 25X41X6 (NOK)	1	1854347
009	91202-883-005	OIL SEAL, 25X41X6	1	1854346
009	91202-883-005	OIL SEAL, 25X41X6	1	1854346
<u>Ref</u>	<u>Partnumber</u>	<u>Description</u>	<u>GX200</u>	<u>Serial Numbers</u>
010	94301-08140	DOWEL PIN, 8X14	2	
011	95701-0803200	BOLT, FLANGE, 8X32	6	
011	95701-0803200	BOLT, FLANGE, 8X32	6	
012	96100-6205000	BEARING, RADIAL BALL, 6205	1	

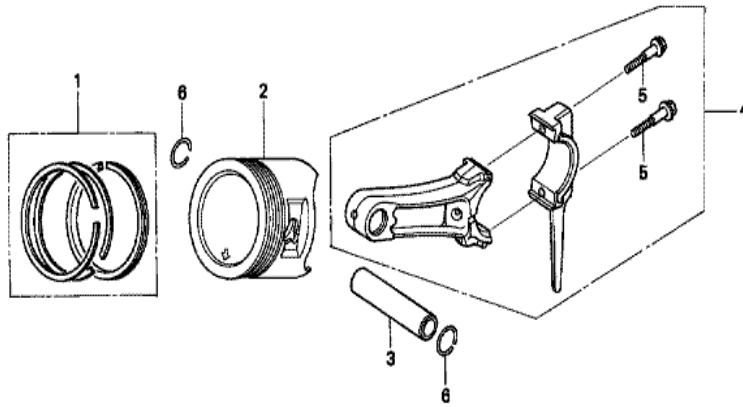
GX200(QXH4)	E-7 CRANKSHAFT
-------------	----------------



Ref	Partnumber	Description	GX200	Serial Numbers
002	13310-ZL0-600	CRANKSHAFT COMP.	1	
002	13310-ZL0-600	CRANKSHAFT COMP.	1	1844979
002	13310-ZL0-601	CRANKSHAFT COMP.	1	1844980
002	13310-ZL0-601	CRANKSHAFT COMP.	1	1844980
010	90003-ZE1-000	BOLT, HEX., 5/16"	1	
011	90473-842-000	WASHER, 8MM	1	
012	90745-ZE1-600	KEY, 4.78X4.78X38	1	
012	90745-ZE1-600	KEY, 4.78X4.78X38	1	

GX200(QXH4)

E-8 PISTON

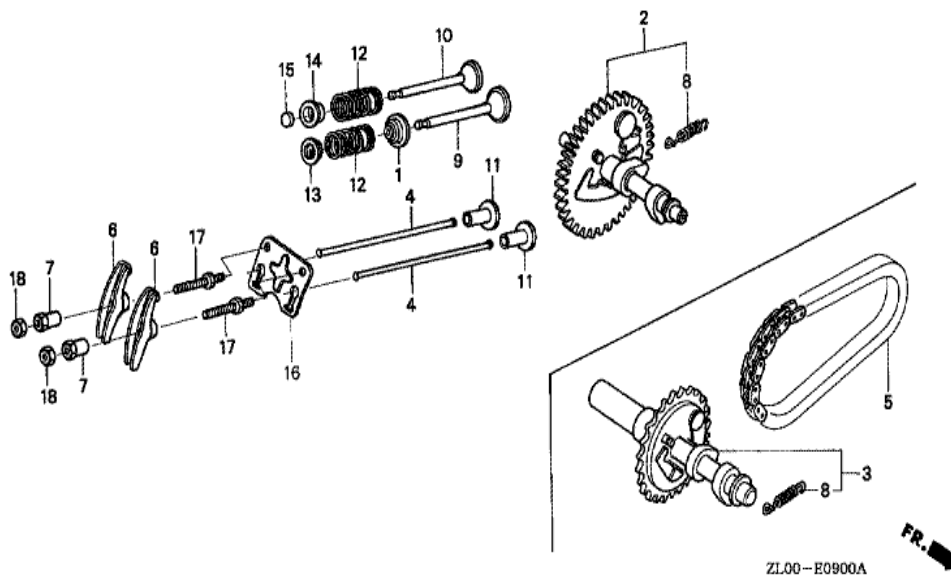


ZL00-E0800A



<u>Ref</u>	<u>Partnumber</u>	<u>Description</u>	<u>GX200</u>	<u>Serial Numbers</u>
001	13010-ZL0-003	RING SET, PISTON (STD.) (TEIKOKU)	1	
001	13010-ZL0-004	RING SET, PISTON (STD.) (NIPPON)	1	
001	13010-ZL0-004	RING SET, PISTON (STD.) (NIPPON)	1	
001	13011-ZL0-003	RING SET, PISTON (0.25) (TEIKOKU)	(1)	
001	13011-ZL0-003	RING SET, PISTON (0.25) (TEIKOKU)	(1)	
001	13011-ZL0-004	RING SET, PISTON (0.25) (NIPPON)	(1)	
001	13011-ZL0-004	RING SET, PISTON (0.25) (NIPPON)	(1)	
001	13012-ZL0-003	RING SET, PISTON (0.50) (TEIKOKU)	(1)	
001	13012-ZL0-003	RING SET, PISTON (0.50) (TEIKOKU)	(1)	
001	13012-ZL0-004	RING SET, PISTON (0.50) (NIPPON)	(1)	
001	13012-ZL0-004	RING SET, PISTON (0.50) (NIPPON)	(1)	
001	13013-ZL0-003	RING SET, PISTON (0.75) (TEIKOKU)	(1)	
001	13013-ZL0-003	RING SET, PISTON (0.75) (TEIKOKU)	(1)	
<u>Ref</u>	<u>Partnumber</u>	<u>Description</u>	<u>GX200</u>	<u>Serial Numbers</u>
001	13013-ZL0-004	RING SET, PISTON (0.75) (NIPPON)	(1)	
001	13013-ZL0-004	RING SET, PISTON (0.75) (NIPPON)	(1)	
002	13101-ZL0-010	PISTON (STD.)	1	
002	13102-ZL0-010	PISTON (0.25)	(1)	
002	13102-ZL0-010	PISTON (0.25)	(1)	
002	13103-ZL0-010	PISTON (0.50)	(1)	
002	13103-ZL0-010	PISTON (0.50)	(1)	
002	13104-ZL0-010	PISTON (0.75)	(1)	
002	13104-ZL0-010	PISTON (0.75)	(1)	
003	13111-ZE1-000	PIN, PISTON	1	
004	13200-ZE1-010	ROD ASSY., CONNECTING (STD.)	1	
005	90001-ZE1-000	BOLT, CONNECTING ROD	2	
006	90551-ZE1-000	CLIP, PISTON PIN, 18MM	2	

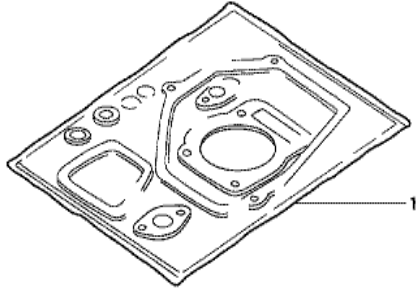
GX200(QXH4)	E-9 CAMSHAFT
-------------	--------------



<u>Ref</u>	<u>Partnumber</u>	<u>Description</u>	<u>GX200</u>	<u>Serial Numbers</u>
001	12209-ZH8-003	SEAL, VALVE STEM	1	
001	12209-ZH8-003	SEAL, VALVE STEM	1	1000128
002	14100-ZL0-800	CAMSHAFT ASSY. (DUTY START)	1	
002	14100-ZL0-800	CAMSHAFT ASSY. (DUTY START)	1	
004	14410-ZE1-010	ROD, PUSH	2	
006	14431-ZE1-000	ARM, VALVE ROCKER	2	
007	14451-ZE1-013	PIVOT, ROCKER ARM	2	
008	14568-ZE1-000	SPRING, WEIGHT RETURN	1	
009	14711-ZF1-000	VALVE, IN.	1	
010	14721-ZF1-000	VALVE, EX.	1	
010	14721-ZF1-000	VALVE, EX.	1	
011	14731-ZL0-000	LIFTER, VALVE	2	
012	14751-ZF1-000	SPRING, VALVE	2	
<u>Ref</u>	<u>Partnumber</u>	<u>Description</u>	<u>GX200</u>	<u>Serial Numbers</u>
012	14751-ZF1-000	SPRING, VALVE	2	
013	14771-ZE1-000	RETAINER, IN. VALVE SPRING	1	
014	14773-ZE1-000	RETAINER, EX. VALVE SPRING	1	
014	14773-ZE1-000	RETAINER, EX. VALVE SPRING	1	
015	14781-ZE1-000	ROTATOR, VALVE	1	
016	14791-ZE1-010	PLATE, PUSH ROD GUIDE	1	
017	90012-ZE0-010	BOLT, PIVOT, 8MM	2	
018	90206-ZE1-000	NUT, PIVOT ADJUSTING	2	

GX200(QXH4)

EOP-1 GASKET KIT



HENG-X0003

<u>Ref</u>	<u>Partnumber</u>	<u>Description</u>	<u>GX200</u>	<u>Serial Numbers</u>
001	06111-ZL0-000	GASKET KIT	1	