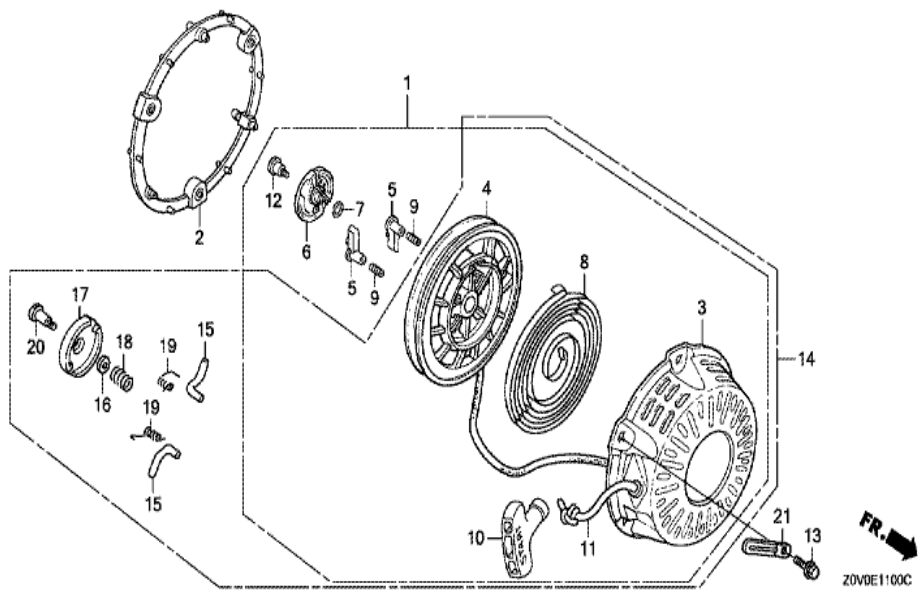


|             |                         |
|-------------|-------------------------|
| GX200T(TX2) | E-11 RECOIL STARTER (1) |
|-------------|-------------------------|

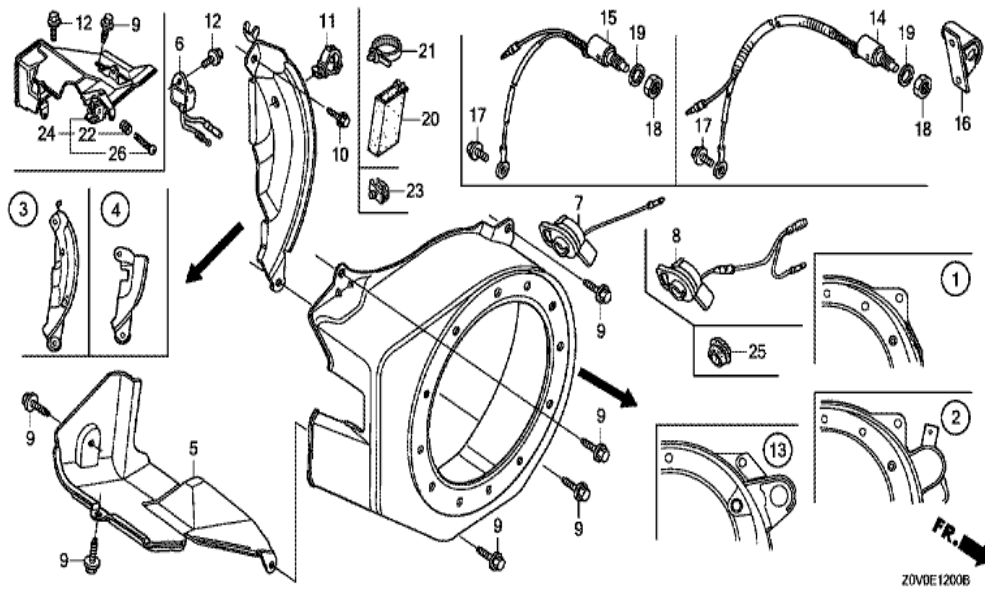


| Ref | Partnumber      | Description                        | GX200T | Serial Numbers |
|-----|-----------------|------------------------------------|--------|----------------|
| 001 | 28400-ZH8-013YA | STARTER ASSY., RECOIL *R280 *      | 1      | 1129301        |
| 001 | 28400-ZH8-013ZB | STARTER ASSY., RECOIL *NH1 *       | 1      | 1129301        |
| 001 | 28400-ZH8-013ZB | STARTER ASSY., RECOIL *NH1 *       | 1      | 1129301        |
| 002 | 28405-ZL0-000ZA | SPACER, RECOIL STARTER MOUNTING *  | 1      |                |
| 002 | 28405-ZL0-000ZC | SPACER, RECOIL STARTER MOUNTING *  | 1      |                |
| 002 | 28405-ZL0-000ZC | SPACER, RECOIL STARTER MOUNTING *  | 1      |                |
| 003 | 28410-ZH8-003YA | CASE COMP., RECOIL STARTER *R280 * | 1      |                |
| 003 | 28410-ZH8-003YA | CASE COMP., RECOIL STARTER *R280 * | 1      |                |
| 003 | 28410-ZH8-003ZB | CASE COMP., RECOIL STARTER *NH1 *  | 1      |                |
| 003 | 28410-ZH8-003ZB | CASE COMP., RECOIL STARTER *NH1 *  | 1      |                |
| 004 | 28420-ZH8-013   | REEL, RECOIL STARTER (NATURAL)     | 1      | 1129301        |
| 004 | 28421-ZH8-801   | REEL, RECOIL STARTER (BLACK)       | 1      |                |
| 004 | 28421-ZH8-801   | REEL, RECOIL STARTER (BLACK)       | 1      | 1129302        |

| <u>Ref</u> | <u>Partnumber</u> | <u>Description</u>            | <u>GX200T</u> | <u>Serial Numbers</u> |
|------------|-------------------|-------------------------------|---------------|-----------------------|
| 005        | 28422-ZH8-013     | RATCHET, STARTER              | 2             | 1129301               |
| 006        | 28433-ZH8-003     | GUIDE, RATCHET                | 1             | 1129301               |
| 007        | 28441-ZH8-003     | SPRING, FRICTION              | 1             | 1129301               |
| 008        | 28442-ZH8-003     | SPRING, RECOIL STARTER        | 1             |                       |
| 009        | 28443-ZH8-003     | SPRING, RETURN                | 2             | 1129301               |
| 010        | 28461-ZH8-003     | GRIP, STARTER                 | 1             |                       |
| 010        | 28461-ZH8-003     | GRIP, STARTER                 | 1             |                       |
| 011        | 28462-ZH8-003     | ROPE, RECOIL STARTER          | 1             |                       |
| 011        | 28462-ZH8-003     | ROPE, RECOIL STARTER          | 1             |                       |
| 012        | 90003-ZH8-003     | SCREW, SETTING                | 1             | 1129301               |
| 013        | 95701-0601800     | BOLT, FLANGE, 6X18            | 3             |                       |
| 013        | 95701-0601800     | BOLT, FLANGE, 6X18            | 3             |                       |
| 014        | 28400-ZH8-023YA   | STARTER ASSY., RECOIL *R280 * | 1             | 1129302               |
| 014        | 28400-ZH8-023YA   | STARTER ASSY., RECOIL *R280 * | 1             | 1034326               |
| 014        | 28400-ZH8-023YA   | STARTER ASSY., RECOIL *R280 * | 1             | 1505538               |
| 014        | 28400-ZH8-023YA   | STARTER ASSY., RECOIL *R280 * | 1             | 1129302               |
| 014        | 28400-ZH8-023ZB   | STARTER ASSY., RECOIL *NH1 *  | 1             | 1129302               |
| 014        | 28400-ZH8-023ZB   | STARTER ASSY., RECOIL *NH1 *  | 1             |                       |
| 014        | 28400-ZH8-023ZB   | STARTER ASSY., RECOIL *NH1 *  | 1             | 1502178               |
| 014        | 28400-ZH8-023ZB   | STARTER ASSY., RECOIL *NH1 *  | 1             | 1129302               |
| 015        | 28422-ZH8-801     | RATCHET, STARTER              | 2             |                       |
| 015        | 28422-ZH8-801     | RATCHET, STARTER              | 2             | 1129302               |
| 016        | 28431-ZH8-801     | PLATE, FRICTION               | 1             |                       |
| 016        | 28431-ZH8-801     | PLATE, FRICTION               | 1             | 1129302               |
| 017        | 28433-ZH8-801     | GUIDE, RATCHET                | 1             |                       |
| 017        | 28433-ZH8-801     | GUIDE, RATCHET                | 1             | 1129302               |
| 018        | 28441-ZH8-801     | SPRING, FRICTION              | 1             |                       |
| 018        | 28441-ZH8-801     | SPRING, FRICTION              | 1             | 1129302               |
| 019        | 28443-ZH8-801     | SPRING, RETURN                | 2             |                       |
| 019        | 28443-ZH8-801     | SPRING, RETURN                | 2             | 1129302               |
| 020        | 90003-ZH8-801     | SCREW, SETTING                | 1             |                       |
| 020        | 90003-ZH8-801     | SCREW, SETTING                | 1             | 1129302               |

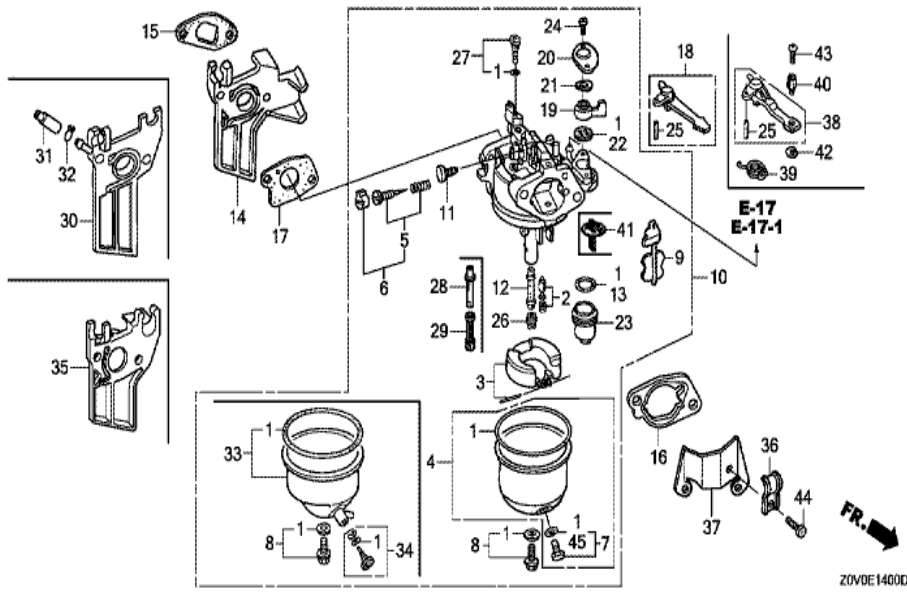
GX200T(TX2)

E-12 FAN COVER (1)



| Ref | Partnumber      | Description                   | GX200T | Serial Numbers |
|-----|-----------------|-------------------------------|--------|----------------|
| 001 | 19610-ZL0-000ZJ | COVER COMP., FAN *R280 *      | 1      |                |
| 001 | 19610-ZL0-000ZJ | COVER COMP., FAN *R280 *      | 1      |                |
| 001 | 19610-ZL0-000ZJ | COVER COMP., FAN *R280 *      | 1      |                |
| 003 | 19611-ZH8-810   | PLATE COMP., SIDE (OIL ALERT) | 1      |                |
| 005 | 19630-ZH8-000   | SHROUD COMP.                  | 1      |                |
| 005 | 19630-ZH8-000   | SHROUD COMP.                  | 1      |                |
| 006 | 34150-ZH7-003   | ALERT UNIT, OIL               | 1      |                |
| 008 | 35120-Z0T-851   | SWITCH ASSY., ENGINE STOP     | 1      |                |
| 009 | 90013-883-000   | BOLT, FLANGE, 6X12 (CT200)    | 6      |                |
| 010 | 90022-888-010   | BOLT, FLANGE, 6X20 (CT200)    | 1      |                |
| 011 | 90601-ZH7-013   | CLIP, HARNESS                 | 1      |                |
| 012 | 95701-0600800   | BOLT, FLANGE, 6X8             | 1      |                |
| 012 | 95701-0600800   | BOLT, FLANGE, 6X8             | 1      |                |

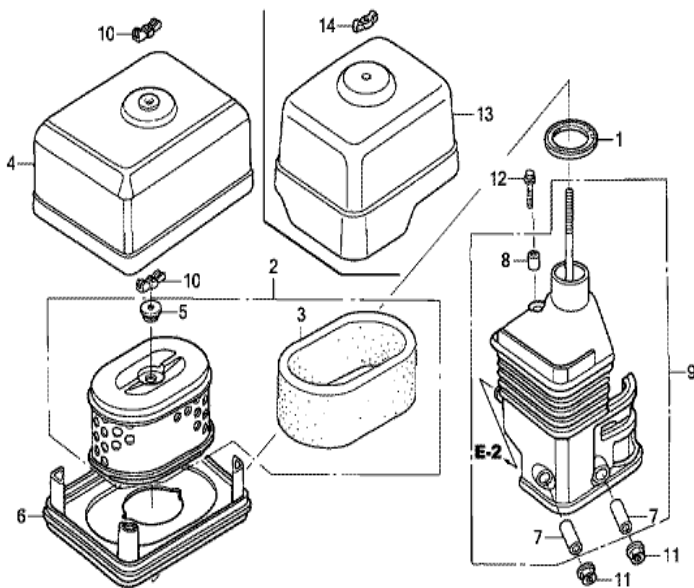
|             |                     |
|-------------|---------------------|
| GX200T(TX2) | E-14 CARBURETOR (1) |
|-------------|---------------------|



| Ref | Partnumber    | Description        | GX200T | Serial Numbers |
|-----|---------------|--------------------|--------|----------------|
| 001 | 16010-ZE1-812 | GASKET SET         | 1      |                |
| 001 | 16010-ZE1-812 | GASKET SET         | 1      |                |
| 002 | 16011-ZE0-005 | VALVE SET, FLOAT   | 1      |                |
| 003 | 16013-Z0S-B01 | FLOAT SET          | 1      |                |
| 004 | 16015-ZE0-831 | CHAMBER SET, FLOAT | 1      |                |
| 004 | 16015-ZE0-831 | CHAMBER SET, FLOAT | 1      |                |
| 004 | 16015-ZE0-831 | CHAMBER SET, FLOAT | 1      |                |
| 006 | 16016-ZH7-W01 | SCREW SET, PILOT   | 1      |                |
| 007 | 16024-ZE1-811 | SCREW SET, DRAIN   | 1      |                |
| 007 | 16024-ZE1-811 | SCREW SET, DRAIN   | 1      |                |
| 007 | 16024-ZE1-811 | SCREW SET, DRAIN   | 1      |                |
| 008 | 16028-ZE0-005 | SCREW SET          | 1      |                |
| 008 | 16028-ZE0-005 | SCREW SET          | 1      |                |

| <u>Ref</u> | <u>Partnumber</u> | <u>Description</u>         | <u>GX200T</u> | <u>Serial Numbers</u> |
|------------|-------------------|----------------------------|---------------|-----------------------|
| 008        | 16028-ZE0-005     | SCREW SET                  | 1             |                       |
| 009        | 16044-ZE0-005     | CHOKE SET                  | 1             |                       |
| 009        | 16044-ZE0-005     | CHOKE SET                  | 1             |                       |
| 009        | 16044-ZE0-005     | CHOKE SET                  | 1             |                       |
| 010        | 16100-Z0V-921     | CARBURETOR ASSY. (BE64Y A) | 1             |                       |
| 010        | 16100-Z0V-921     | CARBURETOR ASSY. (BE64Y A) | 1             |                       |
| 010        | 16100-Z0V-921     | CARBURETOR ASSY. (BE64Y A) | 1             |                       |
| 011        | 16124-ZE0-005     | SCREW, THROTTLE STOP       | 1             |                       |
| 012        | 16166-ZL0-000     | NOZZLE, MAIN               | 1             |                       |
| 012        | 16166-ZL0-000     | NOZZLE, MAIN               | 1             |                       |
| 013        | 16173-001-004     | PACKING, FUEL STRAINER CUP | 1             |                       |
| 014        | 16211-ZL0-000     | INSULATOR, CARBURETOR      | 1             |                       |
| 014        | 16211-ZL0-000     | INSULATOR, CARBURETOR      | 1             |                       |
| 015        | 16212-ZH8-800     | PACKING, INSULATOR         | 1             |                       |
| 016        | 16220-ZE1-020     | SPACER COMP., CARBURETOR   | 1             |                       |
| 016        | 16220-ZE1-020     | SPACER COMP., CARBURETOR   | 1             |                       |
| 017        | 16221-ZH8-801     | PACKING, CARBURETOR        | 1             |                       |
| 018        | 16610-ZE1-000     | LEVER COMP., CHOKE (STD.)  | 1             |                       |
| 019        | 16953-ZE1-812     | LEVER, COCK                | 1             |                       |
| 020        | 16954-ZE1-812     | PLATE, LEVER SETTING       | 1             |                       |
| 021        | 16956-ZE1-811     | SPRING, COCK LEVER         | 1             |                       |
| 022        | 16957-ZE1-812     | PACKING, FUEL COCK         | 1             |                       |
| 023        | 16967-ZE0-811     | CUP, FUEL STRAINER         | 1             |                       |
| 024        | 93500-030061H     | SCREW, PAN, 3X6            | 2             |                       |
| 025        | 94305-20122       | PIN, SPRING, 2X12          | 1             |                       |
| 026        | 99101-ZH80680     | JET, MAIN, #68             | 1             |                       |
| 026        | 99101-ZH80680     | JET, MAIN, #68             | (1)           |                       |
| 026        | 99101-ZH80700     | JET, MAIN, #70             | (1)           |                       |
| 026        | 99101-ZH80700     | JET, MAIN, #70             | (1)           |                       |
| 026        | 99101-ZH80700     | JET, MAIN, #70             | (1)           |                       |
| 026        | 99101-ZH80720     | JET, MAIN, #72             | (1)           |                       |
| 026        | 99101-ZH80720     | JET, MAIN, #72             | 1             |                       |
| 026        | 99101-ZH80720     | JET, MAIN, #72             | 1             |                       |
| <u>Ref</u> | <u>Partnumber</u> | <u>Description</u>         | <u>GX200T</u> | <u>Serial Numbers</u> |
| 027        | 99204-ZA00450     | JET SET, PILOT, #45        | 1             |                       |

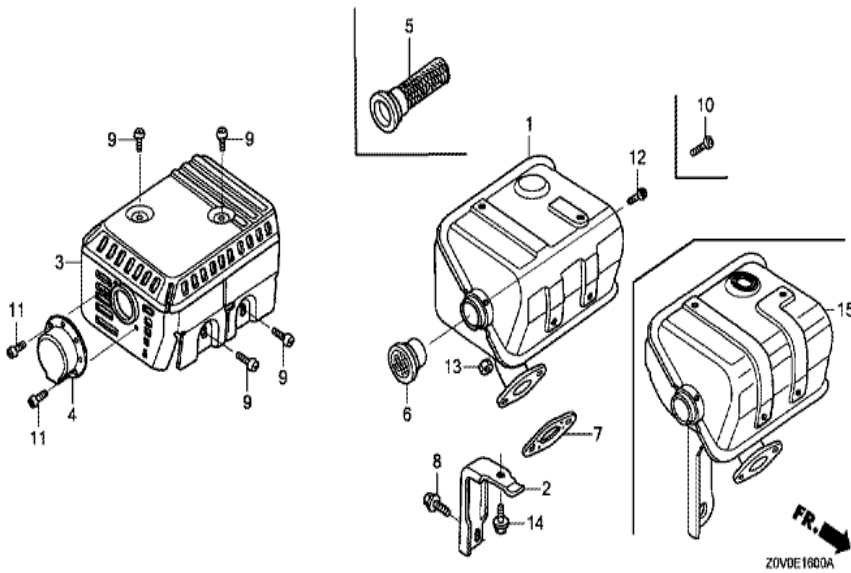
|             |                         |
|-------------|-------------------------|
| GX200T(TX2) | E-15 AIR CLEANER (DUAL) |
|-------------|-------------------------|



FR. →  
Z0V0E1500A

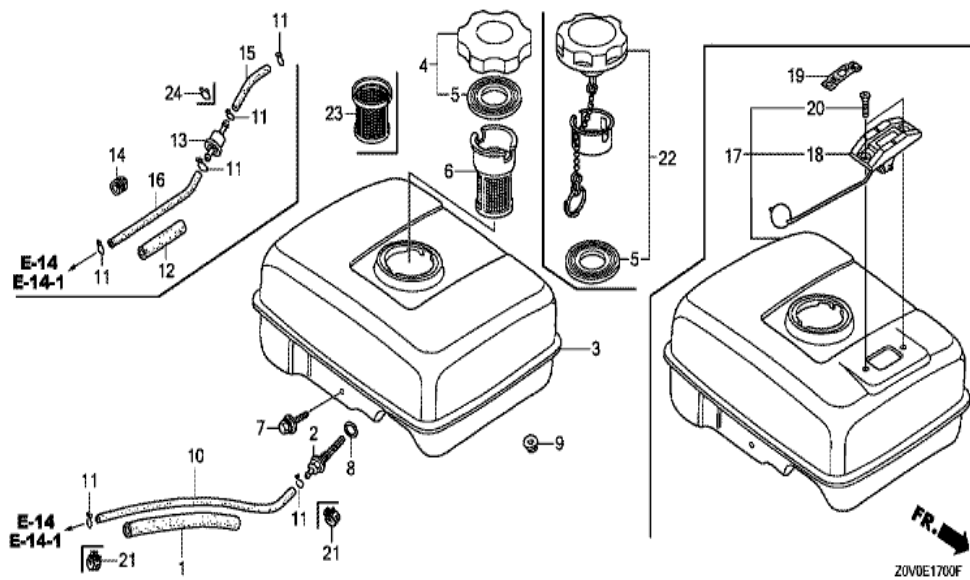
| <u>Ref</u> | <u>Partnumber</u> | <u>Description</u>          | <u>GX200T</u> | <u>Serial Numbers</u> |
|------------|-------------------|-----------------------------|---------------|-----------------------|
| 001        | 16271-ZE1-000     | PACKING, ELBOW              | 1             |                       |
| 002        | 17210-ZE1-822     | ELEMENT, AIR CLEANER (DUAL) | 1             |                       |
| 002        | 17210-ZE1-822     | ELEMENT, AIR CLEANER (DUAL) | 1             |                       |
| 003        | 17218-ZE1-821     | FILTER, OUTER               | 1             |                       |
| 004        | 17230-ZE1-820     | COVER, AIR CLEANER (DUAL)   | 1             |                       |
| 005        | 17232-891-000     | GROMMET, AIR CLEANER        | 1             |                       |
| 006        | 17235-ZE1-831     | NOSE, SILENCER              | 1             |                       |
| 006        | 17235-ZE1-831     | NOSE, SILENCER              | 1             |                       |
| 007        | 17238-ZE7-010     | COLLAR, AIR CLEANER         | 2             |                       |
| 008        | 17239-ZE1-000     | COLLAR B, AIR CLEANER       | 1             |                       |
| 009        | 17410-ZE1-020     | ELBOW COMP., AIR CLEANER    | 1             |                       |
| 009        | 17410-ZE1-020     | ELBOW COMP., AIR CLEANER    | 1             |                       |
| 009        | 17410-ZE1-020     | ELBOW COMP., AIR CLEANER    | 1             |                       |
| <u>Ref</u> | <u>Partnumber</u> | <u>Description</u>          | <u>GX200T</u> | <u>Serial Numbers</u> |
| 010        | 90325-044-000     | NUT, TOOL BOX SETTING       | 1             |                       |
| 010        | 90325-044-000     | NUT, TOOL BOX SETTING       | 2             |                       |
| 011        | 94050-06000       | NUT, FLANGE, 6MM            | 2             |                       |
| 012        | 95701-0602000     | BOLT, FLANGE, 6X20          | 1             |                       |

|             |                  |
|-------------|------------------|
| GX200T(TX2) | E-16 MUFFLER (1) |
|-------------|------------------|



| <u>Ref</u> | <u>Partnumber</u> | <u>Description</u>          | <u>GX200T</u> | <u>Serial Numbers</u> |
|------------|-------------------|-----------------------------|---------------|-----------------------|
| 001        | 18310-ZL0-000     | MUFFLER COMP.               | (1)           |                       |
| 001        | 18310-ZL0-000     | MUFFLER COMP.               | 1             |                       |
| 002        | 18315-ZE1-000     | STAY, MUFFLER               | 1             |                       |
| 003        | 18320-ZF1-H51     | PROTECTOR, MUFFLER (SILENT) | 1             |                       |
| 003        | 18320-ZF1-H51     | PROTECTOR, MUFFLER (SILENT) | 1             |                       |
| 005        | 18355-ZL0-000     | ARRESTER, SPARK             | 1             |                       |
| 005        | 18355-ZL0-000     | ARRESTER, SPARK             | (1)           |                       |
| 006        | 18361-ZL0-000     | NETTING, WIRE FLANGE        | 1             |                       |
| 007        | 18381-ZH8-800     | GASKET, MUFFLER             | (1)           |                       |
| 007        | 18381-ZH8-800     | GASKET, MUFFLER             | 1             |                       |
| 007        | 18381-ZH8-800     | GASKET, MUFFLER             | 1             |                       |
| 008        | 90016-ZE1-000     | BOLT, FLANGE, 6X13 (CT200)  | 1             |                       |
| 009        | 90050-ZE1-000     | SCREW, TAPPING, 5X8         | 4             |                       |
| <u>Ref</u> | <u>Partnumber</u> | <u>Description</u>          | <u>GX200T</u> | <u>Serial Numbers</u> |
| 010        | 90055-ZE1-000     | SCREW, TAPPING, 4X6         | (1)           |                       |
| 012        | 90056-ZL0-000     | SCREW, TAPPING, 4X6         | 1             |                       |
| 013        | 94001-080000S     | NUT, HEX., 8MM              | 2             |                       |
| 014        | 95701-0601200     | BOLT, FLANGE, 6X12          | 1             |                       |

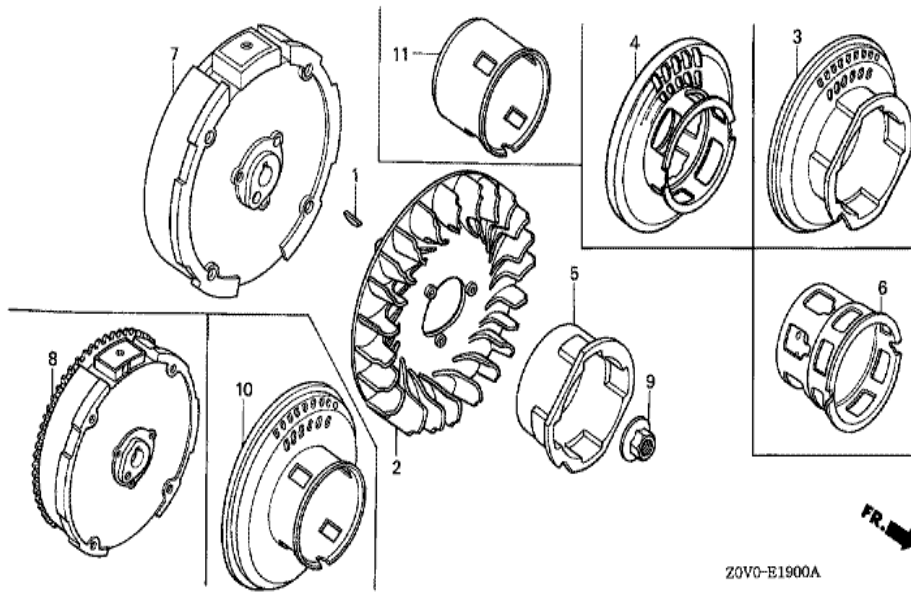
|             |                    |
|-------------|--------------------|
| GX200T(TX2) | E-17 FUEL TANK (1) |
|-------------|--------------------|



| Ref | Partnumber      | Description                              | GX200T | Serial Numbers |
|-----|-----------------|--|--------|----------------|
| 001 | 16854-ZH8-000   | RUBBER, SUPPORTER (107MM)                | 1      |                |
| 002 | 16955-ZE1-000   | JOINT, FUEL TANK                         | 1      |                |
| 003 | 17510-Z0T-000ZC | TANK COMP., FUEL *NH31 *                 | 1      |                |
| 003 | 17510-Z0T-000ZC | TANK COMP., FUEL *NH31 *                 | 1      |                |
| 004 | 17620-Z0T-811   | CAP COMP., FUEL FILLER (CHROME PLATED)   | 1      | 1028785        |
| 004 | 17620-Z0T-813   | CAP COMP., FUEL FILLER (CHROME PLATED) ( | 1      |                |
| 004 | 17620-Z0T-813   | CAP COMP., FUEL FILLER (CHROME PLATED) ( | 1      | 1028786        |
| 005 | 17631-Z0T-801   | PACKING, FUEL FILLER CAP (39X62X3) (RADI | 1      |                |
| 007 | 90004-ZL0-003   | BOLT, FLANGE, 6X34                       | 1      |                |
| 008 | 91353-671-004   | O-RING, 14MM (NOK)                       | 1      |                |
| 009 | 94050-06000     | NUT, FLANGE, 6MM                         | 2      |                |
| 010 | 95001-4514040   | TUBE, FUEL, 4.5X140 (95001-45001-60M)    | 1      |                |
| 010 | 95001-4514040   | TUBE, FUEL, 4.5X140 (95001-45001-60M)    | 1      |                |
| Ref | Partnumber      | Description                              | GX200T | Serial Numbers |
| 011 | 95002-02080     | CLIP, TUBE (B8)                          | 2      |                |

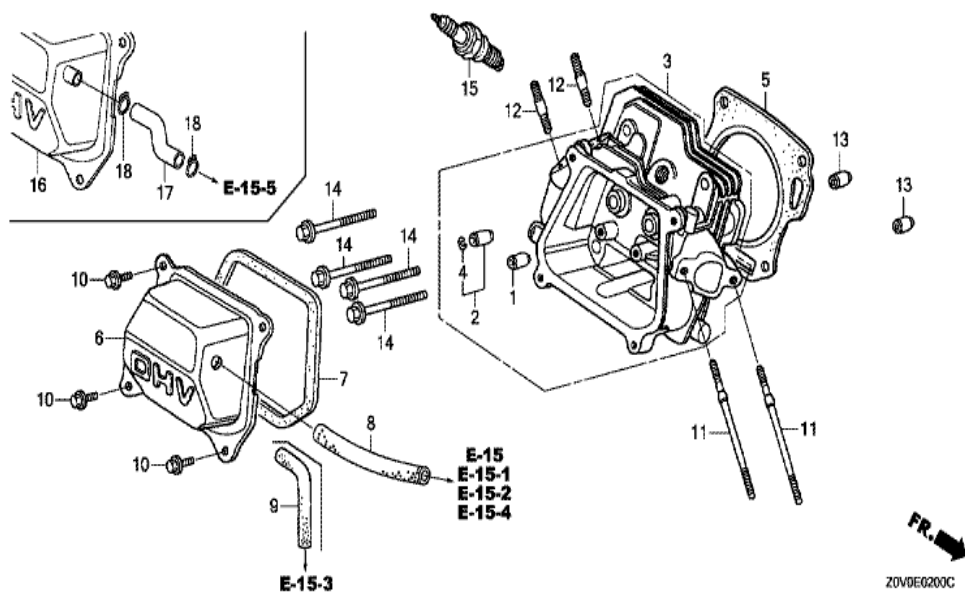


|             |               |
|-------------|---------------|
| GX200T(TX2) | E-19 FLYWHEEL |
|-------------|---------------|



| Ref | Partnumber    | Description                  | GX200T | Serial Numbers |
|-----|---------------|------------------------------|--------|----------------|
| 001 | 13331-357-000 | KEY, SPECIAL WOODRUFF, 25X18 | 1      |                |
| 002 | 19511-ZE1-000 | FAN, COOLING                 | 1      |                |
| 002 | 19511-ZE1-000 | FAN, COOLING                 | 1      |                |
| 005 | 28451-ZL0-000 | PULLEY, STARTER              | 1      | 1129301        |
| 005 | 28451-ZL0-000 | PULLEY, STARTER              | 1      | 1129301        |
| 007 | 31100-ZE7-010 | FLYWHEEL COMP. (STD.)        | 1      |                |
| 007 | 31100-ZE7-010 | FLYWHEEL COMP. (STD.)        | 1      |                |
| 007 | 31100-ZE7-010 | FLYWHEEL COMP. (STD.)        | 1      |                |
| 009 | 90201-Z0T-800 | NUT, SPECIAL, 14MM           | 1      |                |
| 011 | 28451-ZL0-801 | PULLEY, STARTER              | 1      |                |
| 011 | 28451-ZL0-801 | PULLEY, STARTER              | 1      |                |
| 011 | 28451-ZL0-801 | PULLEY, STARTER              | 1      | 1129302        |

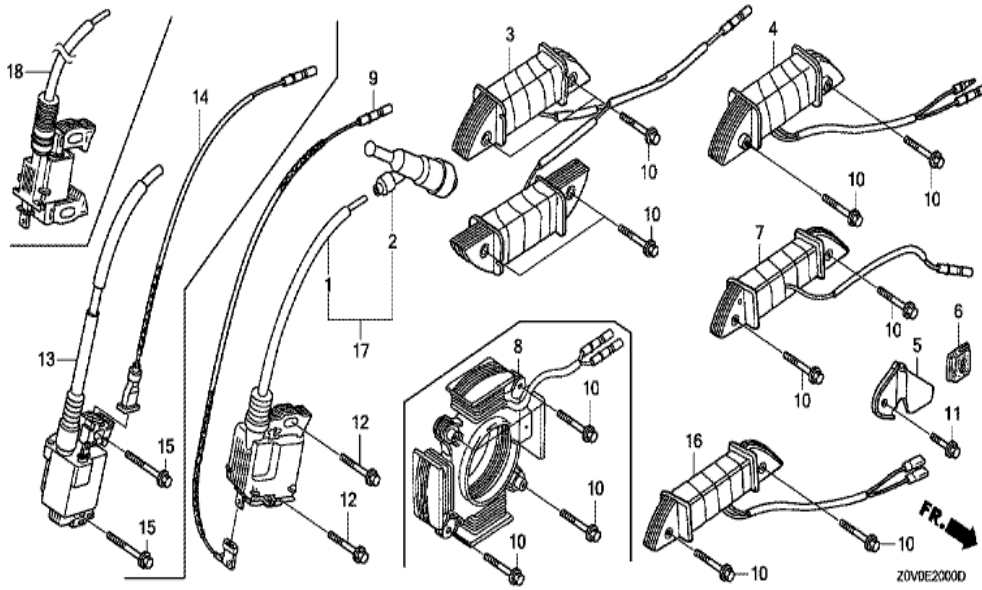
|             |                   |
|-------------|-------------------|
| GX200T(TX2) | E-2 CYLINDER HEAD |
|-------------|-------------------|



| Ref        | Partnumber        | Description                             | GX200T        | Serial Numbers        |
|------------|-------------------|---|---------------|-----------------------|
| 001        | 12204-ZE1-306     | GUIDE, IN. VALVE (OS)                   | 1             |                       |
| 002        | 12205-ZE1-315     | GUIDE, EX. VALVE (OS)                   | 1             |                       |
| 003        | 12210-ZL0-405     | HEAD COMP., CYLINDER                    | 1             |                       |
| 003        | 12210-ZL0-405     | HEAD COMP., CYLINDER                    | 1             |                       |
| 004        | 12216-ZE5-300     | CLIP, VALVE GUIDE                       | 1             |                       |
| 005        | 12251-ZL0-003     | GASKET, CYLINDER HEAD (NIPPON LEAKLESS) | 1             |                       |
| 006        | 12310-ZE1-020     | COVER COMP., HEAD                       | 1             |                       |
| 006        | 12310-ZE1-020     | COVER COMP., HEAD                       | 1             |                       |
| 006        | 12310-ZE1-020     | COVER COMP., HEAD                       | 1             |                       |
| 006        | 12310-ZE1-020     | COVER COMP., HEAD                       | 1             |                       |
| 007        | 12391-ZE1-000     | PACKING, HEAD COVER                     | 1             |                       |
| 008        | 15721-ZH8-000     | TUBE, BREATHER                          | 1             |                       |
| 010        | 90013-883-000     | BOLT, FLANGE, 6X12 (CT200)              | 4             |                       |
| <u>Ref</u> | <u>Partnumber</u> | <u>Description</u>                      | <u>GX200T</u> | <u>Serial Numbers</u> |
| 011        | 90043-ZE1-020     | BOLT, STUD, 6X112                       | 2             |                       |
| 011        | 90043-ZE1-020     | BOLT, STUD, 6X112                       | 2             |                       |
| 012        | 90047-ZE1-000     | BOLT, STUD, 8X32                        | 2             |                       |
| 013        | 94301-10160       | DOWEL PIN, 10X16                        | 2             |                       |
| 014        | 95723-0806000     | BOLT, FLANGE, 8X60                      | 4             | 1391729               |
| 014        | 95723-0806000     | BOLT, FLANGE, 8X60                      | 4             |                       |
| 015        | 98079-55876       | PLUG, SPARK (BPR5ES) (NGK)              | (1)           |                       |
| 015        | 98079-55876       | PLUG, SPARK (BPR5ES) (NGK)              | (1)           |                       |
| 015        | 98079-55876       | PLUG, SPARK (BPR5ES) (NGK)              | (1)           |                       |
| 015        | 98079-56876       | PLUG, SPARK (BPR6ES) (NGK)              | 1             |                       |
| 015        | 98079-56876       | PLUG, SPARK (BPR6ES) (NGK)              | 1             |                       |
| 015        | 98079-56876       | PLUG, SPARK (BPR6ES) (NGK)              | 1             |                       |

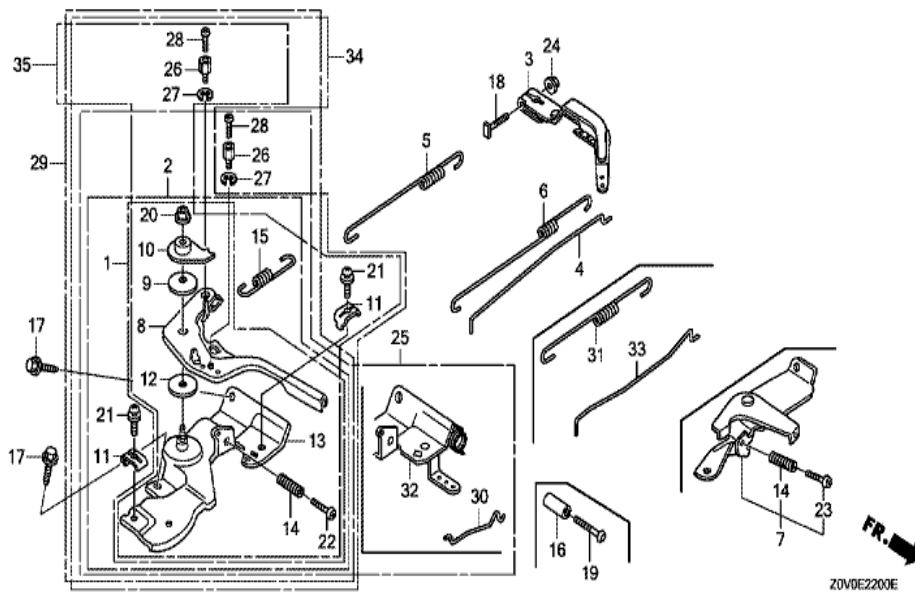
GX200T(TX2)

E-20 IGNITION COIL



| Ref | Partnumber    | Description                       | GX200T | Serial Numbers |
|-----|---------------|-----------------------------------|--------|----------------|
| 001 | 30500-Z0T-801 | COIL ASSY., IGNITION              | 1      |                |
| 002 | 30700-Z0T-811 | CAP ASSY., NOISE SUPPRESSOR (NGK) | 1      |                |
| 002 | 30700-Z0T-811 | CAP ASSY., NOISE SUPPRESSOR (NGK) | 1      |                |
| 002 | 30700-Z0T-811 | CAP ASSY., NOISE SUPPRESSOR (NGK) | 1      |                |
| 009 | 36101-ZE1-010 | CORD, STOP SWITCH (370MM)         | 1      |                |
| 009 | 36101-ZE1-010 | CORD, STOP SWITCH (370MM)         | 1      |                |
| 012 | 90121-952-000 | BOLT, FLANGE, 6X25 (CT200)        | 2      |                |

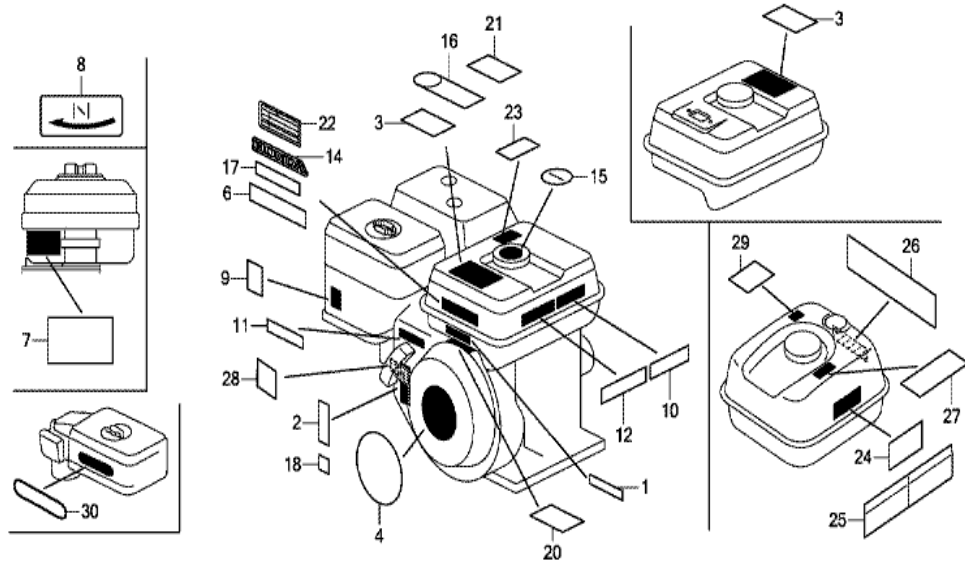
|             |                  |
|-------------|------------------|
| GX200T(TX2) | E-22 CONTROL (1) |
|-------------|------------------|



| <u>Ref</u> | <u>Partnumber</u> | <u>Description</u>         | <u>GX200T</u> | <u>Serial Numbers</u> |
|------------|-------------------|----------------------------|---------------|-----------------------|
| 001        | 16500-ZH8-030     | CONTROL ASSY.              | 1             |                       |
| 001        | 16500-ZH8-030     | CONTROL ASSY.              | 1             |                       |
| 003        | 16551-ZL0-000     | ARM, GOVERNOR              | 1             |                       |
| 003        | 16551-ZL0-000     | ARM, GOVERNOR              | 1             |                       |
| 004        | 16555-ZE1-000     | ROD, GOVERNOR              | 1             |                       |
| 004        | 16555-ZE1-000     | ROD, GOVERNOR              | 1             |                       |
| 005        | 16561-ZL0-000     | SPRING, GOVERNOR           | 1             |                       |
| 005        | 16561-ZL0-000     | SPRING, GOVERNOR           | 1             |                       |
| 006        | 16562-ZE1-020     | SPRING, THROTTLE RETURN    | 1             |                       |
| 008        | 16571-ZH8-020     | LEVER, CONTROL             | 1             |                       |
| 008        | 16571-ZH8-020     | LEVER, CONTROL             | 1             |                       |
| 008        | 16571-ZH8-020     | LEVER, CONTROL             | 1             |                       |
| 008        | 16571-ZH8-020     | LEVER, CONTROL             | 1             |                       |
| <u>Ref</u> | <u>Partnumber</u> | <u>Description</u>         | <u>GX200T</u> | <u>Serial Numbers</u> |
| 009        | 16574-ZE1-000     | SPRING, LEVER              | 1             |                       |
| 010        | 16575-ZH8-000     | WASHER, CONTROL LEVER      | 1             |                       |
| 010        | 16575-ZH8-000     | WASHER, CONTROL LEVER      | 1             |                       |
| 012        | 16578-ZE1-000     | SPACER, CONTROL LEVER      | 1             |                       |
| 013        | 16580-ZH8-030     | BASE COMP., CONTROL        | 1             |                       |
| 013        | 16580-ZH8-030     | BASE COMP., CONTROL        | 1             |                       |
| 013        | 16580-ZH8-030     | BASE COMP., CONTROL        | 1             |                       |
| 013        | 16580-ZH8-030     | BASE COMP., CONTROL        | 1             |                       |
| 013        | 16580-ZH8-030     | BASE COMP., CONTROL        | 1             |                       |
| 014        | 16584-883-300     | SPRING, CONTROL ADJUSTING  | 1             |                       |
| 017        | 90013-883-000     | BOLT, FLANGE, 6X12 (CT200) | 2             |                       |
| 018        | 90015-ZE5-010     | BOLT, GOVERNOR ARM         | 1             |                       |
| 018        | 90015-ZE5-010     | BOLT, GOVERNOR ARM         | 1             |                       |
| 020        | 90114-SA0-000     | NUT, SELF-LOCK, 6MM        | 1             |                       |
| 022        | 93500-050250A     | SCREW, PAN, 5X25           | 1             |                       |
| 024        | 94050-06000       | NUT, FLANGE, 6MM           | 1             |                       |

GX200T(TX2)

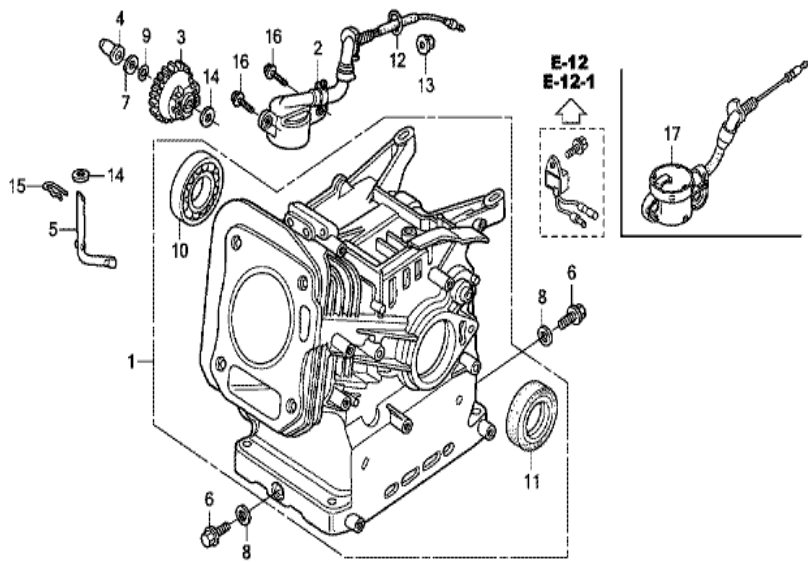
E-28 LABEL (1)



Z0VDE2800L

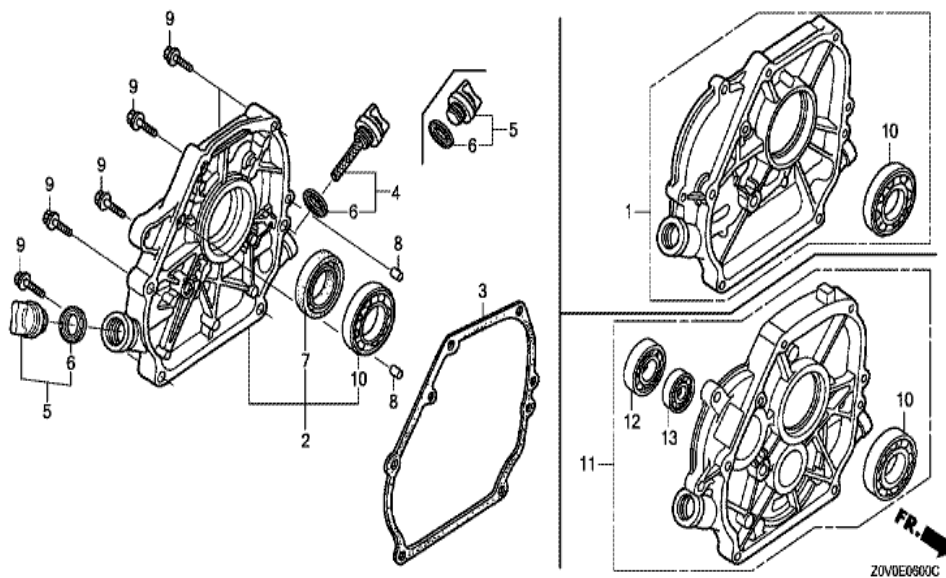
| Ref | Partnumber    | Description               | GX200T | Serial Numbers |
|-----|---------------|---------------------------|--------|----------------|
| 004 | 87521-ZL0-020 | EMBLEM (6.5)              | 1      |                |
| 004 | 87521-ZL0-020 | EMBLEM (6.5)              | 1      |                |
| 004 | 87521-ZL0-020 | EMBLEM (6.5)              | 1      |                |
| 006 | 87522-Z0T-800 | LABEL, CAUTION            | 1      |                |
| 009 | 87528-ZE1-810 | MARK, CHOKE               | 1      |                |
| 009 | 87528-ZE1-810 | MARK, CHOKE               | 1      |                |
| 009 | 87528-ZE1-810 | MARK, CHOKE               | 1      |                |
| 012 | 87532-ZH8-810 | MARK, OIL ALERT (ENGLISH) | 1      |                |

|             |                     |
|-------------|---------------------|
| GX200T(TX2) | E-3 CYLINDER BARREL |
|-------------|---------------------|



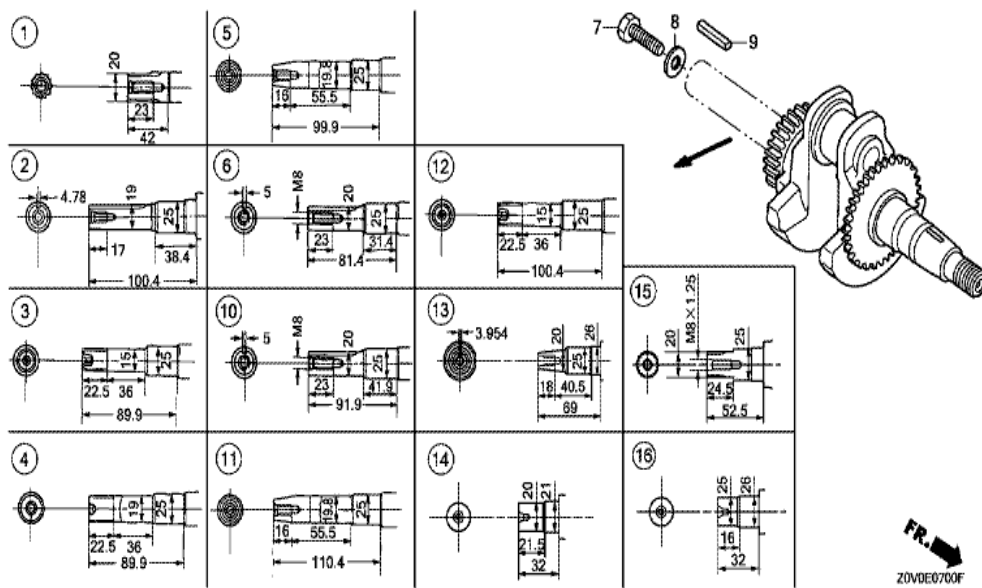
| <u>Ref</u> | <u>Partnumber</u> | <u>Description</u>                   | <u>GX200T</u> | <u>Serial Numbers</u> |
|------------|-------------------|--------------------------------------|---------------|-----------------------|
| 001        | 12000-Z0V-810     | BARREL ASSY., CYLINDER (OIL ALERT)   | 1             |                       |
| 001        | 12000-Z0V-810     | BARREL ASSY., CYLINDER (OIL ALERT)   | 1             |                       |
| 001        | 12000-Z0V-810     | BARREL ASSY., CYLINDER (OIL ALERT)   | 1             |                       |
| 001        | 12000-Z0V-810     | BARREL ASSY., CYLINDER (OIL ALERT)   | 1             |                       |
| 002        | 15510-ZE1-033     | SWITCH ASSY., OIL LEVEL              | 1             |                       |
| 003        | 16506-ZL0-000     | GOVERNOR ASSY.                       | 1             |                       |
| 004        | 16531-ZE1-000     | SLIDER, GOVERNOR                     | 1             |                       |
| 005        | 16541-ZE1-000     | SHAFT, GOVERNOR ARM                  | 1             |                       |
| 006        | 90131-ZE1-000     | BOLT, DRAIN PLUG                     | 2             |                       |
| 007        | 90451-ZE1-000     | WASHER, THRUST, 6MM                  | 1             |                       |
| 008        | 90601-ZE1-000     | WASHER, DRAIN PLUG, 10.2MM           | 2             |                       |
| 009        | 90602-ZE1-000     | CLIP, GOVERNOR HOLDER                | 1             |                       |
| 010        | 91001-ZF1-003     | BEARING, RADIAL BALL (6205TMB) (NTN) | 1             |                       |
| <u>Ref</u> | <u>Partnumber</u> | <u>Description</u>                   | <u>GX200T</u> | <u>Serial Numbers</u> |
| 010        | 91001-ZF1-003     | BEARING, RADIAL BALL (6205TMB) (NTN) | 1             |                       |
| 010        | 91001-ZF1-004     | BEARING, RADIAL BALL (6205SH) (KOYO) | 1             |                       |
| 010        | 91001-ZF1-004     | BEARING, RADIAL BALL (6205SH) (KOYO) | 1             |                       |
| 011        | 91201-Z0T-801     | OIL SEAL, 25X41X6                    | 1             |                       |
| 012        | 91353-671-004     | O-RING, 14MM (NOK)                   | 1             |                       |
| 013        | 94050-10000       | NUT, FLANGE, 10MM                    | 1             |                       |
| 014        | 94101-06800       | WASHER, PLAIN, 6MM                   | 2             |                       |
| 015        | 94251-08000       | PIN, LOCK, 8MM                       | 1             |                       |
| 016        | 95701-0601200     | BOLT, FLANGE, 6X12                   | 2             |                       |

|             |                         |
|-------------|-------------------------|
| GX200T(TX2) | E-6 CRANKCASE COVER (1) |
|-------------|-------------------------|



| <u>Ref</u> | <u>Partnumber</u> | <u>Description</u>                   | <u>GX200T</u> | <u>Serial Numbers</u> |
|------------|-------------------|--------------------------------------|---------------|-----------------------|
| 002        | 11300-ZE1-642     | COVER ASSY., CRANKCASE               | 1             |                       |
| 002        | 11300-ZE1-642     | COVER ASSY., CRANKCASE               | 1             |                       |
| 002        | 11300-ZE1-642     | COVER ASSY., CRANKCASE               | 1             |                       |
| 003        | 11381-ZL0-000     | PACKING, CASE COVER                  | 1             |                       |
| 003        | 11381-ZL0-000     | PACKING, CASE COVER                  | 1             |                       |
| 004        | 15600-ZOT-810     | CAP ASSY., OIL FILLER (GAUGE) (GRAY) | 1             |                       |
| 005        | 15600-ZOT-820     | CAP ASSY., OIL FILLER (BLACK)        | 1             |                       |
| 006        | 15625-ZOT-800     | PACKING, OIL FILLER CAP              | 2             |                       |
| 006        | 15625-ZOT-800     | PACKING, OIL FILLER CAP              | 2             |                       |
| 007        | 91201-ZOT-801     | OIL SEAL, 25X41X6                    | 1             |                       |
| 008        | 94301-08140       | DOWEL PIN, 8X14                      | 2             |                       |
| 009        | 95701-0803200     | BOLT, FLANGE, 8X32                   | 6             |                       |
| 010        | 96100-6205000     | BEARING, RADIAL BALL, 6205           | 1             |                       |
| <u>Ref</u> | <u>Partnumber</u> | <u>Description</u>                   | <u>GX200T</u> | <u>Serial Numbers</u> |
| 010        | 96100-6205000     | BEARING, RADIAL BALL, 6205           | 1             |                       |

|             |                |
|-------------|----------------|
| GX200T(TX2) | E-7 CRANKSHAFT |
|-------------|----------------|

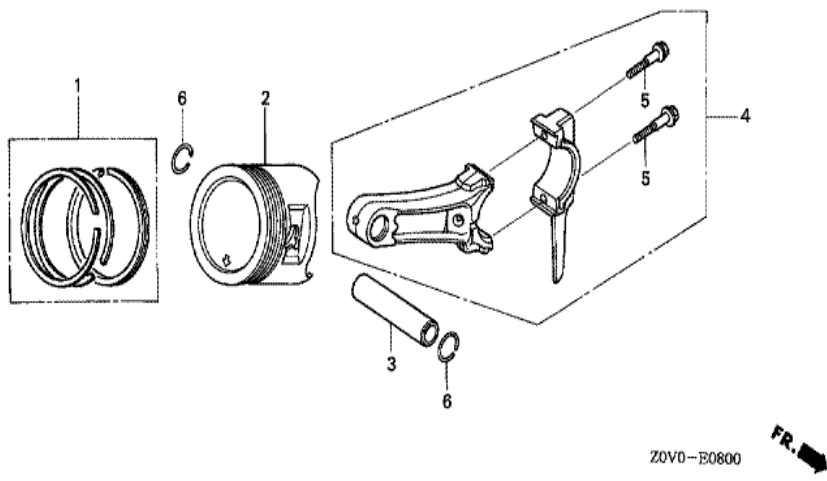


FR.   
Z0VDE0700F

| Ref | Partnumber    | Description      | GX200T | Serial Numbers |
|-----|---------------|------------------|--------|----------------|
| 003 | 13310-Z0V-830 | CRANKSHAFT COMP. | 1      |                |



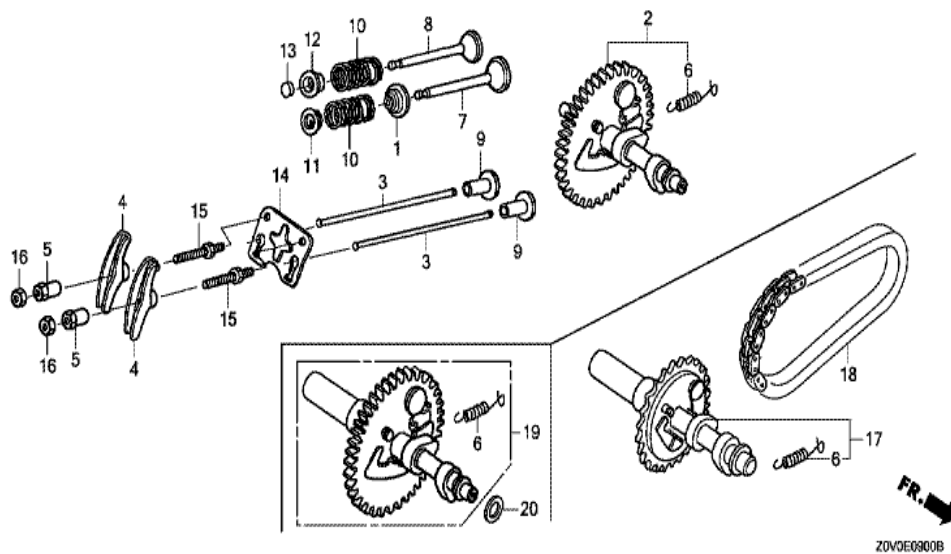
|             |            |
|-------------|------------|
| GX200T(TX2) | E-8 PISTON |
|-------------|------------|



| <u>Ref</u> | <u>Partnumber</u> | <u>Description</u>              | <u>GX200T</u> | <u>Serial Numbers</u> |
|------------|-------------------|---------------------------------|---------------|-----------------------|
| 001        | 13010-Z0T-801     | RING SET, PISTON (STD.) (RIKEN) | 1             |                       |
| 001        | 13011-Z0T-801     | RING SET, PISTON (0.25) (RIKEN) | (1)           | 1385828               |
| 001        | 13011-Z0T-801     | RING SET, PISTON (0.25) (RIKEN) | (1)           |                       |
| 001        | 13012-Z0T-801     | RING SET, PISTON (0.50) (RIKEN) | (1)           | 1385828               |
| 001        | 13012-Z0T-801     | RING SET, PISTON (0.50) (RIKEN) | (1)           |                       |
| 001        | 13013-Z0T-801     | RING SET, PISTON (0.75) (RIKEN) | (1)           | 1385828               |
| 001        | 13013-Z0T-801     | RING SET, PISTON (0.75) (RIKEN) | (1)           |                       |
| 002        | 13101-Z0T-800     | PISTON (STD.)                   | 1             |                       |
| 002        | 13102-Z0T-800     | PISTON (0.25)                   | (1)           |                       |
| 002        | 13102-Z0T-800     | PISTON (0.25)                   | (1)           |                       |
| 002        | 13102-Z0T-800     | PISTON (0.25)                   | (1)           |                       |
| 002        | 13102-Z0T-800     | PISTON (0.25)                   | (1)           |                       |
| 002        | 13102-Z0T-800     | PISTON (0.25)                   | (1)           |                       |
| <u>Ref</u> | <u>Partnumber</u> | <u>Description</u>              | <u>GX200T</u> | <u>Serial Numbers</u> |
| 002        | 13103-Z0T-800     | PISTON (0.50)                   | (1)           |                       |
| 002        | 13103-Z0T-800     | PISTON (0.50)                   | (1)           |                       |
| 002        | 13103-Z0T-800     | PISTON (0.50)                   | (1)           |                       |
| 002        | 13103-Z0T-800     | PISTON (0.50)                   | (1)           |                       |
| 002        | 13103-Z0T-800     | PISTON (0.50)                   | (1)           |                       |
| 002        | 13104-Z0T-800     | PISTON (0.75)                   | (1)           |                       |
| 002        | 13104-Z0T-800     | PISTON (0.75)                   | (1)           |                       |
| 002        | 13104-Z0T-800     | PISTON (0.75)                   | (1)           |                       |
| 002        | 13104-Z0T-800     | PISTON (0.75)                   | (1)           |                       |
| 002        | 13104-Z0T-800     | PISTON (0.75)                   | (1)           |                       |
| 003        | 13111-ZE1-000     | PIN, PISTON                     | 1             |                       |
| 003        | 13111-ZE1-000     | PIN, PISTON                     | 1             |                       |
| 003        | 13111-ZE1-000     | PIN, PISTON                     | 1             |                       |
| 004        | 13200-Z0T-800     | ROD ASSY., CONNECTING (TH)      | 1             |                       |
| 005        | 90001-ZE1-000     | BOLT, CONNECTING ROD            | 2             |                       |
| 006        | 90551-ZE1-000     | CLIP, PISTON PIN, 18MM          | 2             |                       |

GX200T(TX2)

E-9 CAMSHAFT

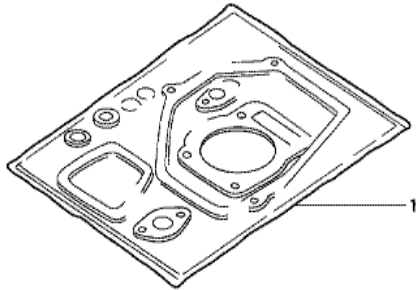


Z0V0E9900B

| <u>Ref</u> | <u>Partnumber</u> | <u>Description</u>         | <u>GX200T</u> | <u>Serial Numbers</u> |
|------------|-------------------|----------------------------|---------------|-----------------------|
| 001        | 12209-ZH8-003     | SEAL, VALVE STEM           | 1             |                       |
| 001        | 12209-ZH8-003     | SEAL, VALVE STEM           | 1             |                       |
| 002        | 14100-ZL0-000     | CAMSHAFT ASSY.             | 1             |                       |
| 002        | 14100-ZL0-000     | CAMSHAFT ASSY.             | 1             |                       |
| 003        | 14410-ZE1-010     | ROD, PUSH                  | 2             |                       |
| 003        | 14410-ZE1-010     | ROD, PUSH                  | 2             |                       |
| 004        | 14431-ZE1-000     | ARM, VALVE ROCKER          | 2             |                       |
| 005        | 14451-ZE1-013     | PIVOT, ROCKER ARM          | 2             |                       |
| 005        | 14451-ZE1-013     | PIVOT, ROCKER ARM          | 2             |                       |
| 006        | 14568-ZE1-000     | SPRING, WEIGHT RETURN      | 1             |                       |
| 006        | 14568-ZE1-000     | SPRING, WEIGHT RETURN      | 1             |                       |
| 007        | 14711-ZF1-000     | VALVE, IN.                 | 1             |                       |
| 007        | 14711-ZF1-000     | VALVE, IN.                 | 1             |                       |
| <u>Ref</u> | <u>Partnumber</u> | <u>Description</u>         | <u>GX200T</u> | <u>Serial Numbers</u> |
| 007        | 14711-ZF1-000     | VALVE, IN.                 | 1             |                       |
| 008        | 14721-ZH8-810     | VALVE, EX. (STELLITE)      | 1             |                       |
| 008        | 14721-ZH8-810     | VALVE, EX. (STELLITE)      | 1             |                       |
| 008        | 14721-ZH8-810     | VALVE, EX. (STELLITE)      | 1             |                       |
| 008        | 14721-ZH8-810     | VALVE, EX. (STELLITE)      | 1             |                       |
| 009        | 14731-ZL0-000     | LIFTER, VALVE              | 2             |                       |
| 010        | 14751-ZF1-000     | SPRING, VALVE              | 2             |                       |
| 011        | 14771-ZE1-000     | RETAINER, IN. VALVE SPRING | 1             |                       |
| 011        | 14771-ZE1-000     | RETAINER, IN. VALVE SPRING | 1             |                       |
| 012        | 14773-ZE1-000     | RETAINER, EX. VALVE SPRING | 1             |                       |
| 012        | 14773-ZE1-000     | RETAINER, EX. VALVE SPRING | 1             |                       |
| 012        | 14773-ZE1-000     | RETAINER, EX. VALVE SPRING | 1             |                       |
| 013        | 14781-ZE1-000     | ROTATOR, VALVE             | 1             |                       |
| 014        | 14791-ZE1-010     | PLATE, PUSH ROD GUIDE      | 1             |                       |
| 014        | 14791-ZE1-010     | PLATE, PUSH ROD GUIDE      | 1             |                       |
| 015        | 90012-ZE0-010     | BOLT, PIVOT, 8MM           | 2             |                       |
| 016        | 90206-ZE1-000     | NUT, PIVOT ADJUSTING       | 2             |                       |

GX200T(TX2)

EOP-1 GASKET KIT



HENG-X0003

| <u>Ref</u> | <u>Partnumber</u> | <u>Description</u> | <u>GX200T</u> | <u>Serial Numbers</u> |
|------------|-------------------|--------------------|---------------|-----------------------|
| 001        | 06111-ZL0-000     | GASKET KIT         | 1             |                       |