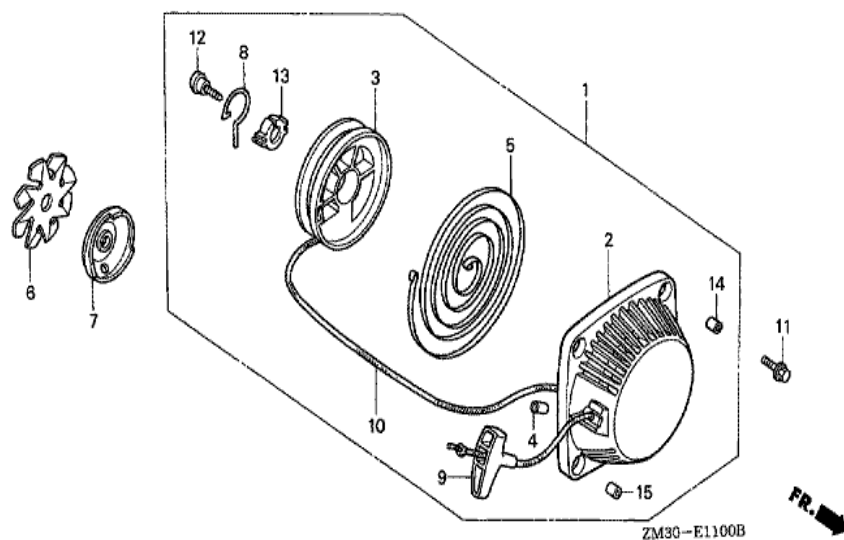


GX22(SA)

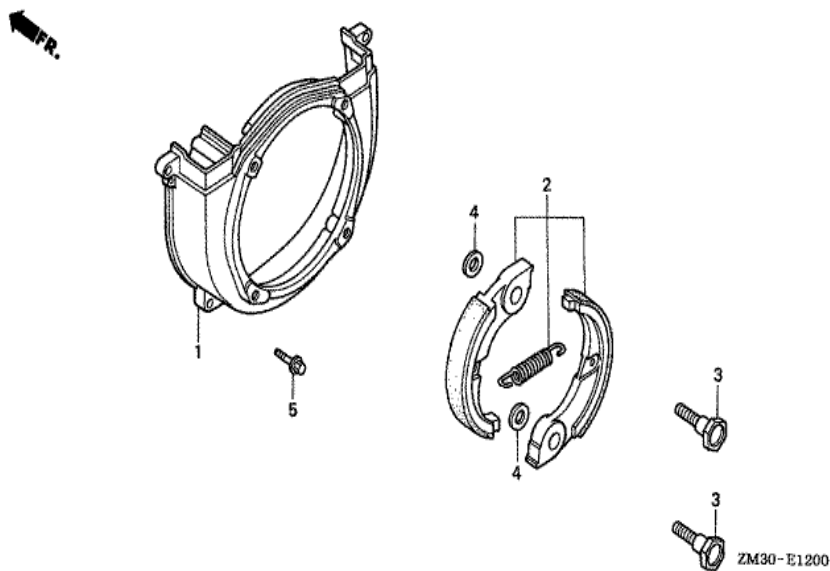
E-11 RECOIL STARTER (HORIZONTAL TYPE)



| <u>Ref</u> | <u>Partnumber</u> | <u>Description</u> | <u>GX22</u> | <u>Serial Numbers</u> |
|------------|-------------------|------------------------------|-------------|-----------------------|
| 001 | 28400-ZM3-003ZA | STARTER ASSY., RECOIL *NH1 * | 1 | |
| 002 | 28414-ZM3-003 | CASE, RECOIL STARTER | 1 | |
| 003 | 28421-ZM3-003 | REEL, RECOIL STARTER | 1 | |
| 004 | 28433-ZM3-003 | GUIDE, ROPE | 1 | |
| 005 | 28442-ZM3-003 | SPRING, RECOIL STARTER | 1 | |
| 006 | 28447-ZM3-000 | FAN, RATCHET | 1 | |
| 007 | 28451-ZM3-003 | PULLEY, RECOIL STARTER | 1 | |
| 008 | 28459-ZM3-003 | ARM, SWING | 1 | |
| 009 | 28461-ZM3-003 | KNOB, RECOIL STARTER | 1 | |
| 010 | 28462-ZM3-003 | ROPE, RECOIL STARTER | 1 | |
| 011 | 90005-ZM3-000 | BOLT, FLANGE, 5X18 | 4 | |
| 012 | 90012-ZM3-003 | SCREW, SETTING | 1 | |
| 013 | 91504-ZM3-003 | COLLAR | 1 | |
| <u>Ref</u> | <u>Partnumber</u> | <u>Description</u> | <u>GX22</u> | <u>Serial Numbers</u> |
| 014 | 91505-ZM3-003 | COLLAR | 2 | |
| 015 | 91505-ZM3-003 | COLLAR | 2 | |

GX22(SA)

E-12 CLUTCH/FAN COVER (HORIZONTAL TYPE)

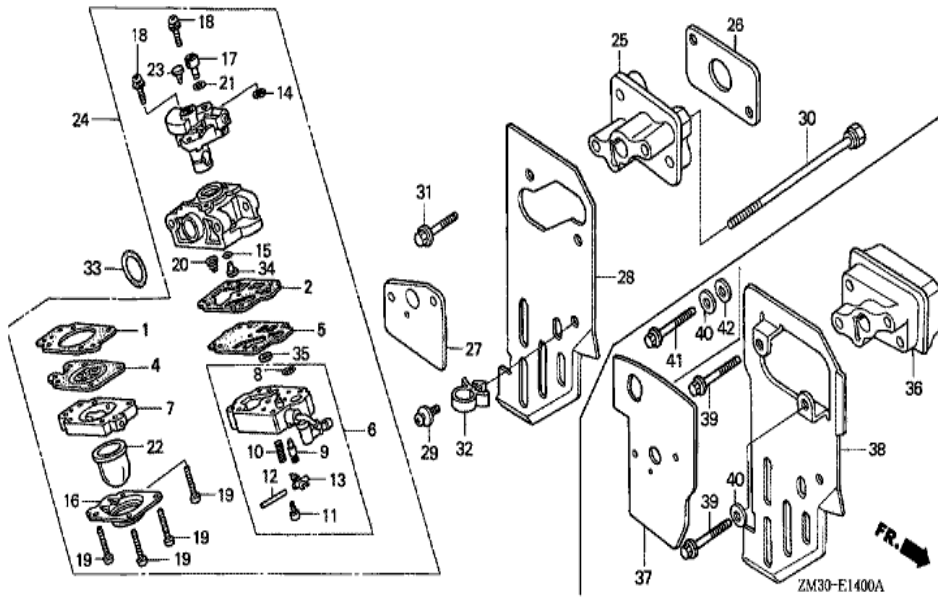


ZM30-E1200

| Ref | Partnumber | Description | GX22 | Serial Numbers |
|-----|---------------|-----------------------|------|----------------|
| 001 | 19611-ZM3-000 | COVER, FAN | 1 | |
| 002 | 22000-ZM3-003 | CLUTCH ASSY. | 1 | |
| 003 | 22253-ZM3-003 | BOLT, CLUTCH (6MM) | 2 | |
| 004 | 22254-ZM3-003 | WASHER, CLUTCH (6X15) | 2 | |
| 005 | 90005-ZM3-000 | BOLT, FLANGE, 5X18 | 2 | |

GX22(SA)

E-14 CARBURETOR (HORIZONTAL TYPE)

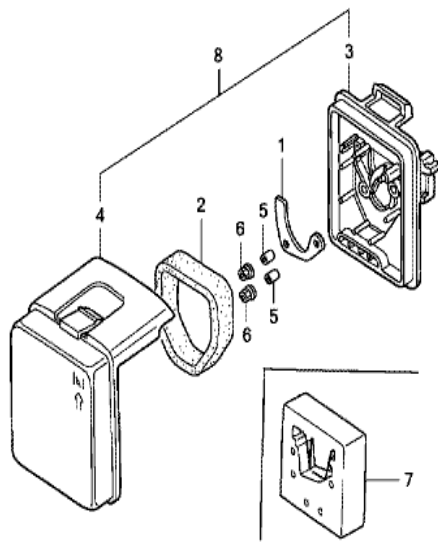


| Ref | Partnumber | Description | GX22 | Serial Numbers |
|-----|---------------|----------------------------|------|----------------|
| 001 | 16010-ZM3-004 | GASKET, METERING DIAPHRAGM | 1 | |
| 002 | 16011-ZM3-004 | GASKET, PUMP | 1 | WYL 68 |
| 002 | 16011-ZM3-014 | GASKET, PUMP | 1 | WYL 74A |
| 004 | 16013-ZM3-004 | DIAPHRAGM ASSY., METERING | 1 | |
| 005 | 16014-ZM3-004 | DIAPHRAGM, PUMP | 1 | |
| 006 | 16015-ZM3-004 | BODY ASSY., PUMP | 1 | WYL 135 |
| 006 | 16015-ZM3-802 | BODY ASSY., PUMP | 1 | WYL 97 |
| 007 | 16017-ZM3-004 | BODY ASSY., AIR PURGE | 1 | |
| 008 | 16018-ZM3-004 | SCREEN, INLET | 1 | WYL 68A |
| 008 | 16018-ZM3-802 | SCREEN, INLET | 1 | WYL 97 |
| 009 | 16019-ZM3-004 | VALVE, INLET NEEDLE | 1 | |
| 010 | 16020-ZM3-004 | SPRING, METERING LEVER | 1 | |
| 011 | 16021-ZM3-004 | SCREW, METERING LEVER PIN | 1 | |

| <u>Ref</u> | <u>Partnumber</u> | <u>Description</u> | <u>GX22</u> | <u>Serial Numbers</u> | |
|------------|-------------------|----------------------------|-------------|-----------------------|---------|
| 012 | 16022-ZM3-004 | PIN, METERING LEVER | 1 | | |
| 013 | 16023-ZM3-004 | LEVER, METERING | 1 | | |
| 014 | 16024-ZM3-004 | RING, SPRING RETAINING | 1 | | |
| 015 | 16025-ZM3-004 | O-RING | 1 | | |
| 016 | 16026-ZM3-004 | COVER, PRIMER PUMP | 1 | | |
| 017 | 16027-ZM3-004 | SWIVEL | 1 | | |
| 018 | 16028-ZM3-004 | SCREW, THROTTLE COLLAR | 2 | | |
| 019 | 16029-ZM3-004 | SCREW, PUMP COVER | 4 | | |
| 020 | 16030-ZM3-004 | SPRING, PUMP | 1 | | |
| 021 | 16031-ZM3-004 | WASHER | 1 | | |
| 022 | 16032-ZM3-004 | PUMP, PRIMER | 1 | | |
| 024 | 16100-ZM3-803 | CARBURETOR ASSY. (WYL 67) | 1 | 1057792 | 1129972 |
| 024 | 16100-ZM3-804 | CARBURETOR ASSY. (WYL 67A) | 1 | 1129973 | 1143666 |
| 024 | 16100-ZM3-805 | CARBURETOR ASSY. (WYL 96) | 1 | 1143667 | 1205100 |
| 024 | 16100-ZM3-806 | CARBURETOR ASSY. (WYL 126) | 1 | | |
| 025 | 16211-ZM3-000 | INSULATOR, CARBURETOR | 1 | | 1412244 |
| 026 | 16212-ZM3-000 | PACKING, INSULATOR | 1 | | |
| 027 | 16221-ZM3-000 | PACKING, CARBURETOR | 1 | | 1143666 |
| 028 | 19651-ZM3-000 | GUIDE, AIR INLET | 1 | | 1412244 |
| 029 | 93894-0501000 | SCREW-WASHER, 5X10 | 1 | | |
| 030 | 90010-ZM3-000 | BOLT, HEX., 5X75 | 2 | | |
| 031 | 90112-GK8-010 | BOLT, FLANGE, 5X22 | 2 | | 1432054 |
| 032 | 90659-680-013 | CLIP, WIRE HARNESS | 1 | | |
| 033 | 91301-ZM3-000 | O-RING, 14.8X2.4 | 1 | | |
| 034 | 99101-ZM30310 | JET (#31.5) | (1) | WYL 131 | |
| 034 | 99101-ZM30320 | JET (#32.5) | (1) | WYL 128 | |
| 034 | 99101-ZM30330 | JET (#33.5) | (1) | WYL 135 | |
| 034 | 99101-ZM30340 | JET (#34.5) | (1) | | WYL 67 |
| 034 | 99101-ZM30350 | JET (#35.5) | (1) | | WYL 62A |
| 034 | 99101-ZM30360 | JET (#36) | 1 | | WYL 67 |
| 034 | 99101-ZM30360 | JET (#36) | 1 | | |
| 034 | 99101-ZM30370 | JET (#37) | (1) | WYL 67A | WYL 96 |
| 034 | 99101-ZM30380 | JET (#38) | 1 | WYL 67A | WYL 96 |
| <u>Ref</u> | <u>Partnumber</u> | <u>Description</u> | <u>GX22</u> | <u>Serial Numbers</u> | |
| 035 | 16035-ZM3-802 | FILTER, FUEL INLET | 1 | WYL 97 | |
| 036 | 16211-ZM3-700 | INSULATOR, CARBURETOR | 1 | 1205101 | |
| 037 | 16221-ZM3-G10 | PACKING, CARBURETOR | 1 | 1196965 | |
| 038 | 19651-ZM3-U30 | GUIDE, AIR INLET | 1 | 1432055 | |
| 039 | 90112-ZM3-U30 | BOLT, FLANGE, 5X32 | 2 | 1432055 | |

GX22(SA)

E-15 AIR CLEANER (HORIZONTAL TYPE)

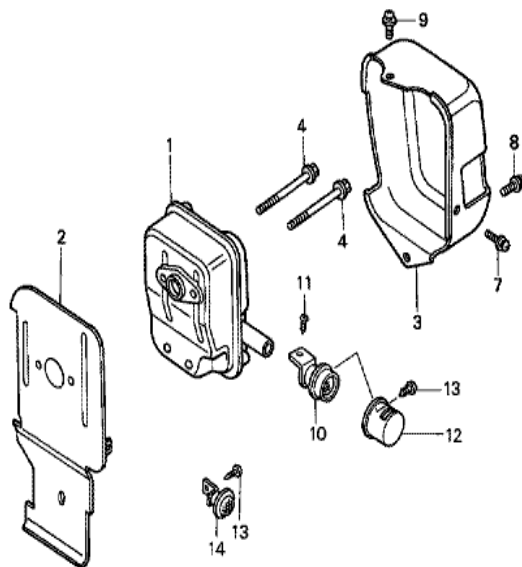


ZM30E1600A

| Ref | Partnumber | Description | GX22 | Serial Numbers |
|-----|-----------------|----------------------------------|------|-----------------|
| 001 | 17204-ZM3-000 | PLATE, OIL TRAP | 1 | |
| 002 | 17211-ZM3-000 | ELEMENT, AIR CLEANER | 1 | |
| 003 | 17220-ZM3-010ZA | CASE COMP., AIR CLEANER *R8 * | 1 | 1207879 1272858 |
| 003 | 17220-ZM3-010ZD | CASE COMP., AIR CLEANER *R291R * | 1 | 1272859 |
| 004 | 17231-ZM3-010ZA | COVER, AIR CLEANER *R8 * | 1 | 1465506 1795279 |
| 004 | 17231-ZM3-010ZD | COVER, AIR CLEANER *R291R * | 1 | 1795280 |
| 005 | 91503-ZM3-000 | COLLAR, AIR CLEANER | 2 | |
| 006 | 94050-05000 | NUT, FLANGE, 5MM | 2 | |
| 008 | 04105-ZM3-G00ZC | CASE SET, AIR CLEANER *R280* | 1 | 1207878 |

GX22(SA)

E-16 MUFFLER (HORIZONTAL TYPE)

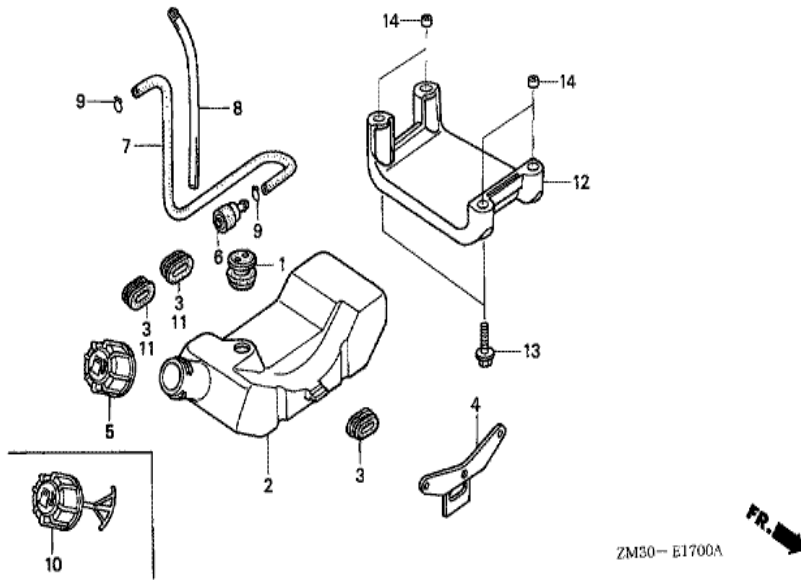


ZM30-E1600A



| Ref | Partnumber | Description | GX22 | Serial Numbers |
|-----|---------------|---------------------|------|----------------|
| 001 | 18310-ZM3-800 | MUFFLER COMP. | 1 | 1057792 |
| 003 | 19722-ZM3-000 | INNER COVER, TOP | 1 | 1057791 |
| 003 | 19722-ZM3-810 | INNER COVER, TOP | 1 | |
| 004 | 90004-ZM3-000 | BOLT, FLANGE, 5X50 | 2 | |
| 007 | 93891-0500800 | SCREW-WASHER, 5X8 | 1 | |
| 008 | 93894-0501000 | SCREW-WASHER, 5X10 | 1 | |
| 009 | 93894-0501600 | SCREW-WASHER, 5X16 | 1 | |
| 013 | 90055-ZE1-000 | SCREW, TAPPING, 4X6 | 1 | 1057792 |
| 014 | 18355-ZM3-801 | ARRESTER, SPARK | 1 | 1057792 |

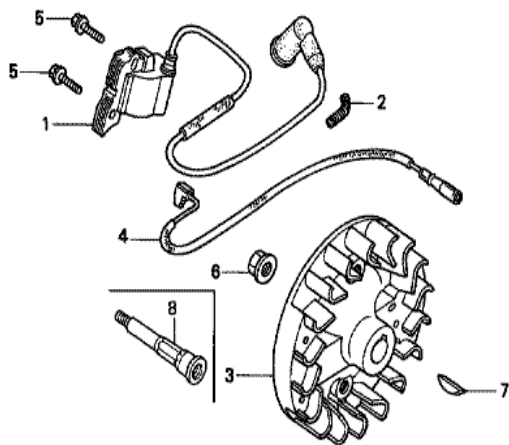
| | |
|----------|----------------------------------|
| GX22(SA) | E-17 FUEL TANK (HORIZONTAL TYPE) |
|----------|----------------------------------|



| Ref | Partnumber | Description | GX22 | Serial Numbers |
|-----|---------------|-------------------------|------|----------------|
| 001 | 17504-ZM3-003 | GROMMET, FUEL TUBE | 1 | |
| 002 | 17511-ZM3-003 | TANK, FUEL | 1 | |
| 003 | 17532-ZM3-000 | RUBBER A, TANK MOUNTING | 1 | 1057791 |
| 003 | 17532-ZM3-010 | RUBBER A, TANK MOUNTING | 1 | 1057792 |
| 004 | 17561-ZM3-000 | STAY, FUEL TANK | 1 | |
| 004 | 17561-ZM3-010 | STAY, FUEL TANK | 1 | 1057792 |
| 005 | 17620-ZM3-043 | CAP ASSY., FUEL TANK | 1 | |
| 006 | 17672-ZM3-003 | FILTER, FUEL | 1 | 2168923 |
| 007 | 17701-ZM3-003 | TUBE, FUEL | 1 | |
| 008 | 17702-ZM3-003 | TUBE, FUEL RETURN | 1 | |
| 009 | 91401-ZM3-003 | CLIP, TUBE | 2 | |
| 011 | 17532-ZM3-000 | RUBBER A, TANK MOUNTING | 2 | 1057791 |
| 011 | 17533-ZM3-000 | RUBBER B, TANK MOUNTING | 2 | 1057792 |

GX22(SA)

E-19 FLYWHEEL/IGNITION COIL (HORIZONTAL TYPE)



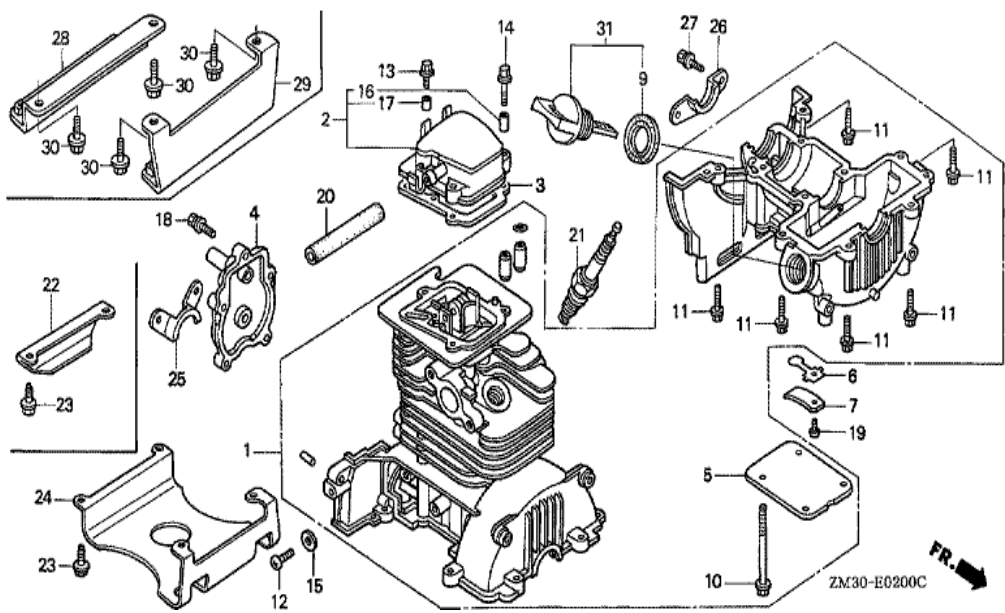
ZM30-E1900A



| Ref | Partnumber | Description | GX22 | Serial Numbers |
|-----|---------------|---------------------------|------|----------------|
| 001 | 30500-ZM3-003 | COIL ASSY., IGNITION | 1 | |
| 002 | 30519-ZM3-000 | TUBE A, CORRUGATED (7X18) | 1 | |
| 003 | 31110-ZM3-003 | FLYWHEEL COMP. | 1 | 1057791 |
| 003 | 31110-ZM3-013 | FLYWHEEL COMP. | 1 | |
| 004 | 32195-ZM3-000 | CORD, STOP SWITCH | 1 | |
| 005 | 93401-0501600 | BOLT-WASHER, 5X16 | 2 | |
| 006 | 94050-08000 | NUT, FLANGE, 8MM | 1 | 1057791 |
| 006 | 94050-10000 | NUT, FLANGE, 10MM | 1 | 1057792 |
| 007 | 94401-16120 | KEY, WOODRUFF, 16X12 | 1 | |

GX22(SA)

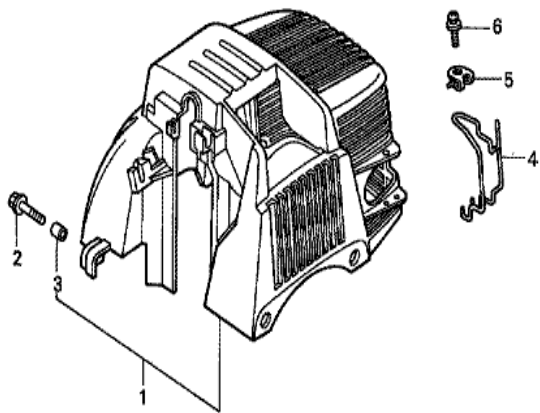
E-2 CYLINDER HEAD COVER/ CRANKCASE SET (1)



| Ref | Partnumber | Description | GX22 | Serial Numbers |
|-----|---------------|-------------------------|------|-----------------|
| 001 | 11010-ZM3-020 | CRANKCASE SET | 1 | 1205100 |
| 001 | 11010-ZM3-030 | CRANKCASE SET | 1 | 1205101 1224524 |
| 001 | 11010-ZM3-040 | CRANKCASE SET | 1 | 1224525 1227310 |
| 001 | 11010-ZM3-050 | CRANKCASE SET | 1 | 1227311 |
| 002 | 12310-ZM3-000 | COVER COMP., HEAD | 1 | 1057791 |
| 002 | 12310-ZM3-003 | COVER COMP., HEAD | 1 | 1140428 |
| 002 | 12310-ZM3-010 | COVER COMP., HEAD | 1 | 1140427 |
| 003 | 12312-ZM3-020 | PACKING, HEAD COVER | 1 | |
| 004 | 14121-ZM3-000 | COVER, CAMSHAFT | 1 | 1138646 |
| 004 | 14121-ZM3-010 | COVER, CAMSHAFT | 1 | 1138647 |
| 005 | 15511-ZM3-000 | COVER, OIL OUTLET VALVE | 1 | |
| 006 | 15571-ZM3-003 | VALVE, OIL OUTLET | 1 | |
| 007 | 15572-ZM3-000 | PLATE, STOPPER | 1 | |

| <u>Ref</u> | <u>Partnumber</u> | <u>Description</u> | <u>GX22</u> | <u>Serial Numbers</u> |
|------------|-------------------|------------------------------|-------------|-----------------------|
| 009 | 15625-ZE1-003 | PACKING, OIL FILLER CAP | 1 | |
| 010 | 90003-ZM3-000 | BOLT, FLANGE, 5X55 | 4 | |
| 011 | 90005-ZM3-000 | BOLT, FLANGE, 5X18 | 6 | |
| 012 | 90011-ZM3-000 | SCREW, PAN, 6X8 | 1 | |
| 013 | 90002-ZM3-000 | BOLT, FLANGE, 5X14 | 1 | 1057792 |
| 013 | 90101-P4V-000 | BOLT, FLANGE, 5X12 | 1 | 1040026 |
| 014 | 90001-ZM3-000 | BOLT, FLANGE, 5X22 | 2 | 1057792 |
| 014 | 90112-GK8-010 | BOLT, FLANGE, 5X22 | 2 | 1040026 |
| 015 | 90481-GW3-000 | WASHER, SEALING, 6.5MM | 1 | |
| 016 | 91501-ZM3-000 | COLLAR, HEAD COVER | 2 | 1057791 |
| 016 | 91501-ZM3-010 | COLLAR, HEAD COVER | 2 | |
| 017 | 91502-ZM3-000 | COLLAR, TOP COVER | 1 | 1057791 |
| 017 | 91506-ZM3-000 | COLLAR A, HEAD COVER | 1 | |
| 018 | 93401-0401600 | BOLT-WASHER, 4X16 | 5 | |
| 019 | 93500-030050A | SCREW, PAN, 3X5 | 1 | |
| 020 | 95005-7006830 | TUBE, 7X68 (95005-70001-30M) | 1 | |
| 021 | 98056-55757 | PLUG, SPARK (U16FSR-UB) | 1 | |
| 021 | 98056-55777 | PLUG, SPARK (CR5HSB) | 1 | 1179747 |
| 025 | 11113-ZM3-000 | GUARD A, GRASS | 1 | 1193156 |
| 026 | 11114-ZM3-000 | GUARD B, GRASS | 1 | |
| 027 | 93401-0401000 | BOLT-WASHER, 4X10 | 2 | 1193156 |
| 031 | 15600-ZM3-003 | CAP ASSY., OIL FILLER | 1 | |

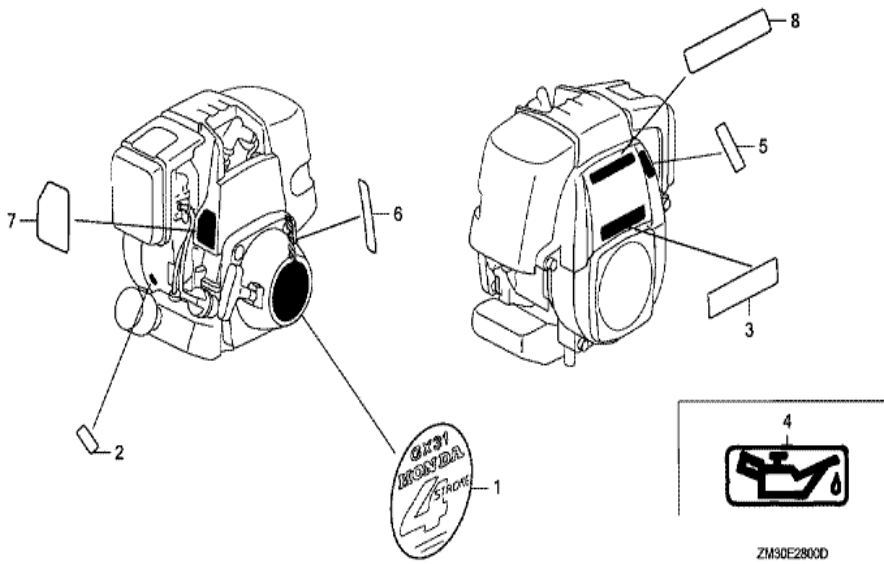
| | |
|----------|------------------------------|
| GX22(SA) | E-27 COVER (HORIZONTAL TYPE) |
|----------|------------------------------|



ZM30-E2700 **FR.** →

| Ref | Partnumber | Description | GX22 | Serial Numbers |
|-----|-----------------|--------------------------|------|----------------|
| 001 | 19720-ZM3-000ZA | COVER COMP., TOP *R8 * | 1 | 1271458 |
| 001 | 19720-ZM3-000ZB | COVER COMP., TOP *R280 * | 1 | 1795280 |
| 002 | 90112-GK8-010 | BOLT, FLANGE, 5X22 | 2 | |
| 003 | 91502-ZM3-000 | COLLAR, TOP COVER | 2 | |

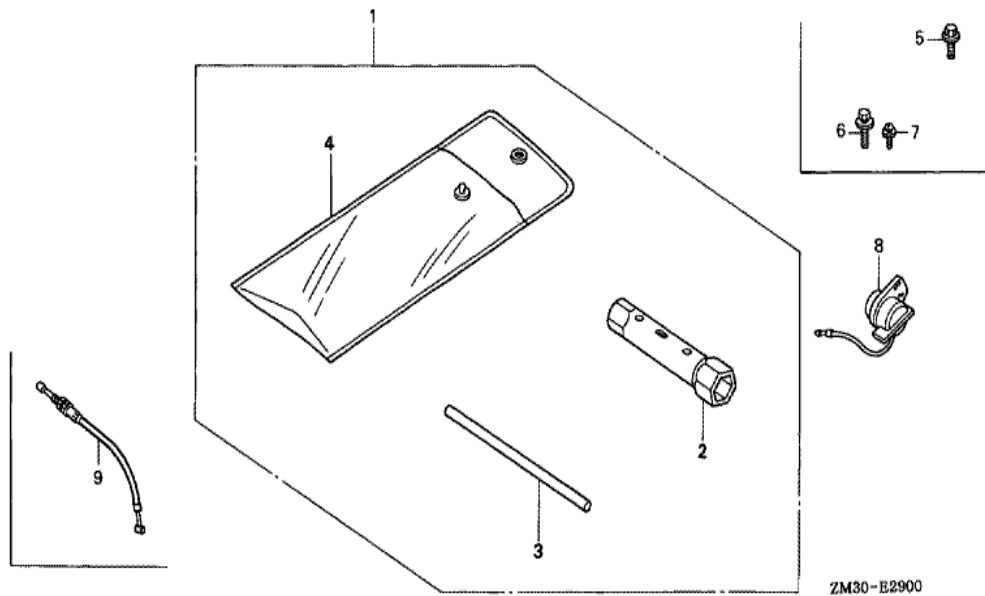
| | |
|----------|------------------------------|
| GX22(SA) | E-28 LABEL (HORIZONTAL TYPE) |
|----------|------------------------------|



ZM30E2800D

| Ref | Partnumber | Description | GX22 | Serial Numbers |
|-----|---------------|-----------------|------|----------------|
| 001 | 87521-ZM3-000 | EMBLEM (GX22) | 1 | 1271458 |
| 001 | 87521-ZM3-K41 | EMBLEM (GX22) | 1 | 1271459 |
| 002 | 87601-ZM3-800 | MARK, TYPE (SA) | 1 | 1057791 |

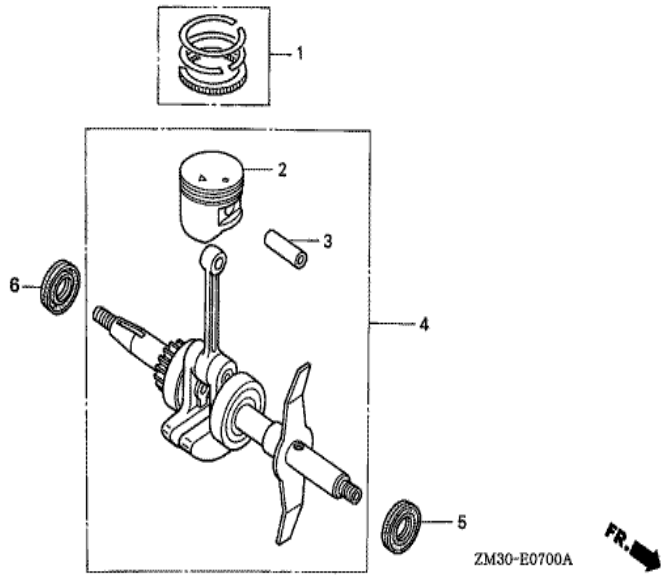
| | |
|----------|-----------|
| GX22(SA) | E-29 TOOL |
|----------|-----------|



ZM30-E2900

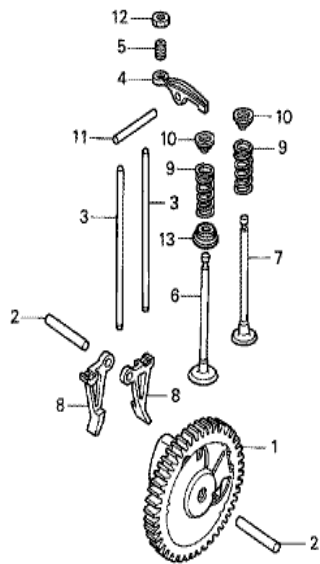
| Ref | Partnumber | Description | GX22 | Serial Numbers |
|-----|---------------|--------------------|------|----------------|
| 001 | 89000-ZM3-000 | TOOL KIT | (1) | |
| 002 | 89216-045-010 | WRENCH, SPARK PLUG | (1) | |
| 003 | 99005-01000 | BAR A, HANDLE | (1) | |
| 004 | 99008-01600 | BAG, TOOL, 160MM | (1) | |

| | |
|----------|---|
| GX22(SA) | E-7 PISTON/CRANKSHAFT (HORIZONTAL TYPE) |
|----------|---|



| Ref | Partnumber | Description | GX22 | Serial Numbers |
|-----|---------------|-------------------|------|----------------|
| 001 | 13010-ZM3-000 | RING SET, PISTON | 1 | |
| 002 | 13101-ZM3-030 | PISTON | 1 | |
| 003 | 13111-ZM3-000 | PIN, PISTON | 1 | |
| 004 | 13310-ZM3-000 | CRANKSHAFT COMP. | 1 | 1057791 |
| 004 | 13310-ZM3-040 | CRANKSHAFT COMP. | 1 | 1057792 |
| 005 | 91213-ZM3-003 | OIL SEAL, 12X25X6 | 1 | |
| 006 | 91213-ZM3-003 | OIL SEAL, 12X25X6 | 1 | 1057791 |
| 006 | 91214-ZM3-003 | OIL SEAL, 15X25X6 | 1 | 1057792 |

| | |
|----------|--------------------------------|
| GX22(SA) | E-9 CAMSHAFT (HORIZONTAL TYPE) |
|----------|--------------------------------|



ZM30-B0900



| <u>Ref</u> | <u>Partnumber</u> | <u>Description</u> | <u>GX22</u> | <u>Serial Numbers</u> |
|------------|-------------------|------------------------|-------------|-----------------------|
| 001 | 14100-ZM3-010 | CAMSHAFT ASSY. | 1 | |
| 002 | 14126-ZM3-000 | ROLLER (5X23.8) | 2 | |
| 003 | 14410-ZM3-000 | ROD, PUSH | 2 | |
| 004 | 14431-ZM3-000 | ARM, VALVE ROCKER | 2 | |
| 005 | 14451-ZM3-000 | PIVOT, ROCKER ARM | 2 | |
| 006 | 14711-ZM3-000 | VALVE, IN. | 1 | |
| 007 | 14721-ZM3-000 | VALVE, EX. | 1 | |
| 008 | 14731-ZM3-003 | LIFTER, VALVE | 2 | |
| 009 | 14751-ZM3-000 | SPRING, VALVE | 2 | |
| 010 | 14771-ZM3-010 | RETAINER, VALVE SPRING | 2 | |
| 011 | 41313-PL3-000 | ROLLER, 4X28 | 1 | |
| 012 | 90206-ZM3-000 | NUT, TAPPET ADJUSTING | 2 | |
| 013 | 12209-ZM3-003 | SEAL, VALVE STEM | 1 | 1224445 1227310 |
| <u>Ref</u> | <u>Partnumber</u> | <u>Description</u> | <u>GX22</u> | <u>Serial Numbers</u> |
| 013 | 12209-ZM3-013 | SEAL, VALVE STEM | 1 | 1227311 |