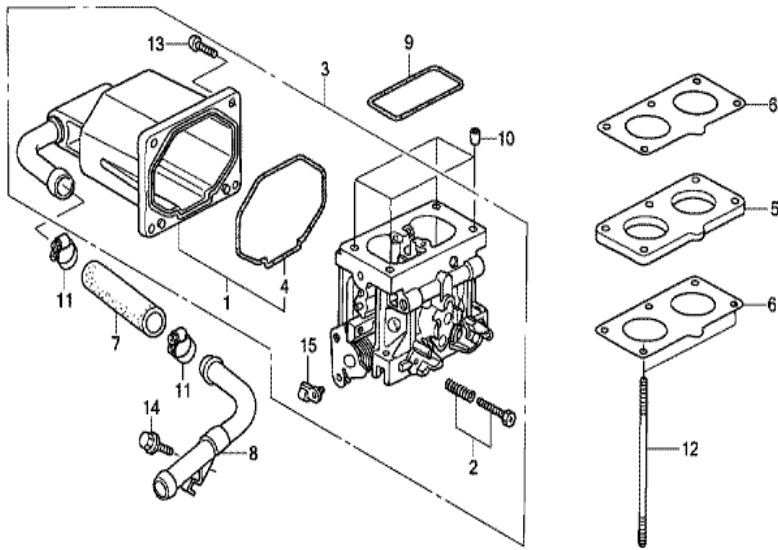


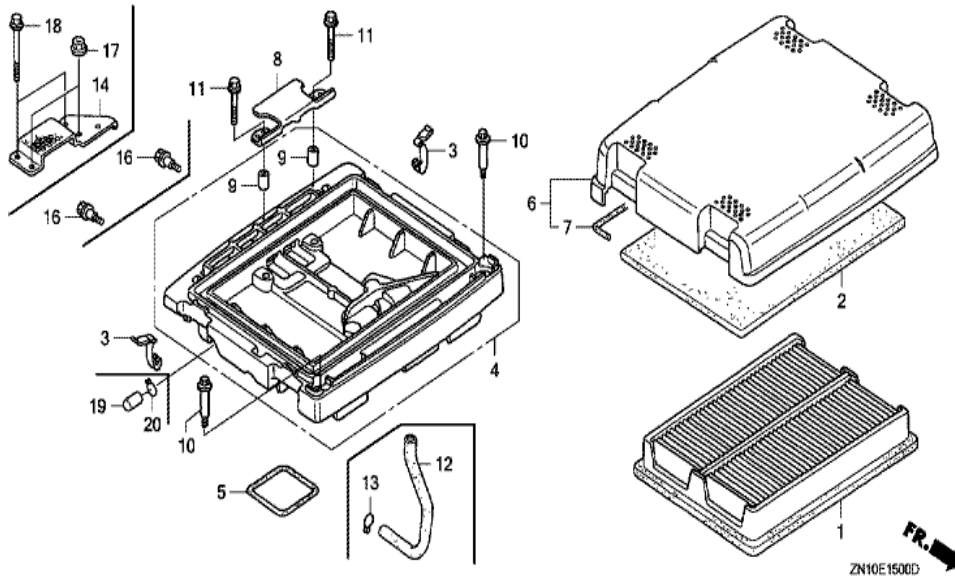
<u>Ref</u>	<u>Partnumber</u>	<u>Description</u>	<u>GX670</u>	<u>Serial Numbers</u>
001	16715-ZJ1-930	COVER, FUEL PUMP	1	
003	19611-ZJ1-930	COVER, FAN	1	
004	19612-ZJ1-841	PLATE, SIDE	1	
005	19614-ZJ1-841	PLATE, SIDE	1	
006	19631-ZJ1-840	SHROUD	1	
007	19632-ZJ1-841	SHROUD	1	
008	33713-GC2-000	COLLAR B, TAILLIGHT	6	
010	80101-310-000	RUBBER, RR. FENDER CUSHION	1	
011	90013-883-000	BOLT, FLANGE, 6X12 (CT200)	9	
011	90013-883-000	BOLT, FLANGE, 6X12 (CT200)	10	
012	90018-ZE1-000	BOLT, FLANGE, 6X23 (CT200)	2	
013	90042-ZJ1-840	BOLT, STUD, 6X71	4	
014	90313-ZJ1-840	NUT, SQUARE, 5MM	2	
<u>Ref</u>	<u>Partnumber</u>	<u>Description</u>	<u>GX670</u>	<u>Serial Numbers</u>
015	93913-25580	SCREW, TAPPING, 5X20	2	
017	94050-06000	NUT, FLANGE, 6MM	4	
018	95701-0600800	BOLT, FLANGE, 6X8	2	



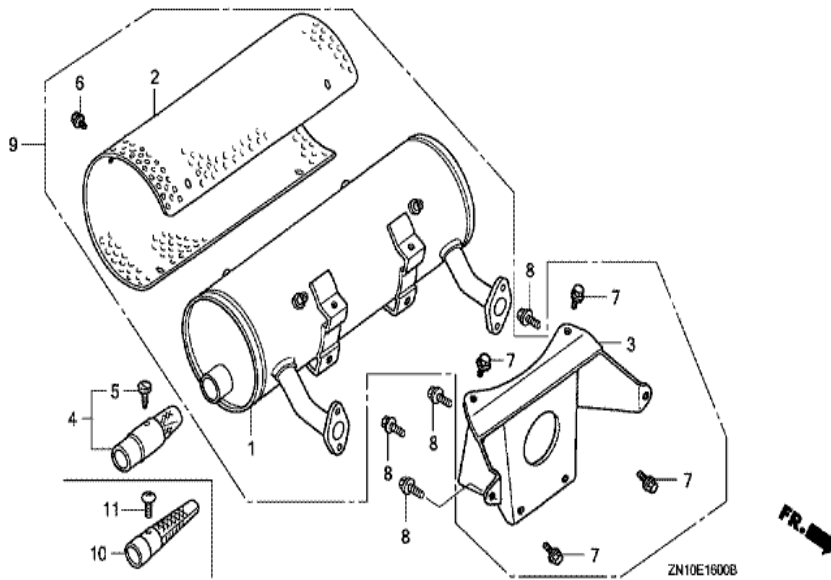
ZN10E1401A



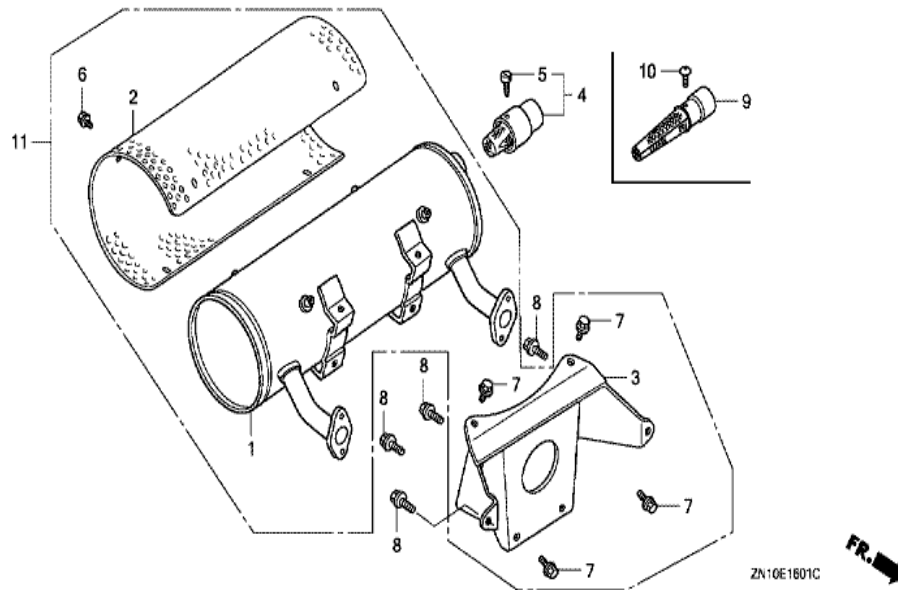
<u>Ref</u>	<u>Partnumber</u>	<u>Description</u>	<u>GX670</u>	<u>Serial Numbers</u>
001	16015-ZN1-831	CHAMBER SET, FLOAT	1	
002	16028-ZN1-801	SCREW SET, THROTTLE	1	
003	16100-ZN1-831	CARBURETOR ASSY. (BKL1A A)	1	
004	16163-ZN1-831	GASKET, FLOAT CHAMBER	1	
005	16211-ZN1-000	INSULATOR, CARBURETOR	1	
006	16221-ZN1-000	PACKING, CARBURETOR	2	
007	16347-ZN1-820	HOSE, FUEL	1	
008	16920-ZN1-820	JOINT COMP., FUEL	1	
009	17228-ZN1-000	PACKING, AIR CLEANER	1	
010	17238-ZJ4-830	COLLAR A, AIR CLEANER	4	
011	19505-KS6-700	CLAMP A, WATER HOSE	2	1011086
011	19505-KS6-700	CLAMP A, WATER HOSE	2	1011086
011	19506-KA4-000	CLAMP, WATER HOSE	2	1011085
<u>Ref</u>	<u>Partnumber</u>	<u>Description</u>	<u>GX670</u>	<u>Serial Numbers</u>
011	19506-KA4-000	CLAMP, WATER HOSE	2	
011	19506-KA4-000	CLAMP, WATER HOSE	2	1011085
012	90041-147-000	BOLT, STUD, 6X108	2	
013	93500-040141H	SCREW, PAN, 4X14	4	
014	95701-0802000	BOLT, FLANGE, 8X20	1	
015	16126-ZJ1-841	ARM, THROTTLE LINKAGE	1	



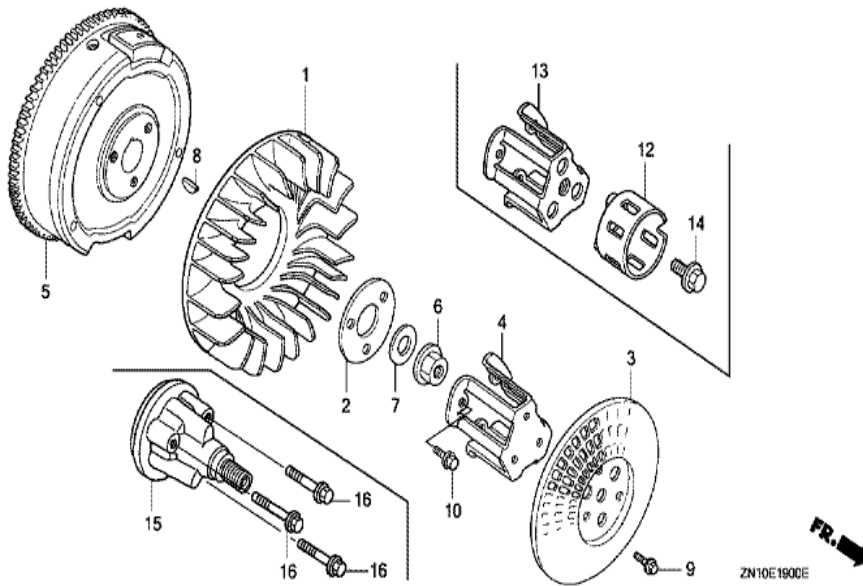
<u>Ref</u>	<u>Partnumber</u>	<u>Description</u>	<u>GX670</u>	<u>Serial Numbers</u>
001	17210-ZN1-821	ELEMENT ASSY., AIR CLEANER	1	
001	17210-ZN1-821	ELEMENT ASSY., AIR CLEANER	1	
002	17218-ZJ1-840	FILTER, OUTER	1	1055178
003	17219-ZJ1-840	CLIP, AIR CLEANER	4	
004	17220-ZN1-820	CASE COMP., AIR CLEANER	1	
004	17220-ZN1-820	CASE COMP., AIR CLEANER	1	
006	17230-ZN1-820	COVER ASSY., AIR CLEANER	1	1016546
006	17230-ZN1-820	COVER ASSY., AIR CLEANER	1	
006	17230-ZN1-820	COVER ASSY., AIR CLEANER	1	1016546
006	17230-ZN1-821	COVER ASSY., AIR CLEANER	1	1016547
006	17230-ZN1-821	COVER ASSY., AIR CLEANER	1	1016547
007	17233-ZJ1-840	SEAL, AIR CLEANER COVER	1	1055178
009	17238-ZJ4-830	COLLAR A, AIR CLEANER	4	
<u>Ref</u>	<u>Partnumber</u>	<u>Description</u>	<u>GX670</u>	<u>Serial Numbers</u>
009	17238-ZJ4-830	COLLAR A, AIR CLEANER	4	
010	90003-ZJ1-840	BOLT, SPECIAL, 5MM	2	
012	12357-ZJ4-830	TUBE, BREATHER	1	
013	15772-551-000	CLIP, BREATHER TUBE	1	
014	17223-ZN2-000	CAP, AIR CLEANER	1	
016	90002-ZJ1-840	BOLT, FLANGE, 6MM	2	
017	94050-06000	NUT, FLANGE, 6MM	2	
018	95701-0609500	BOLT, FLANGE, 6X95	2	



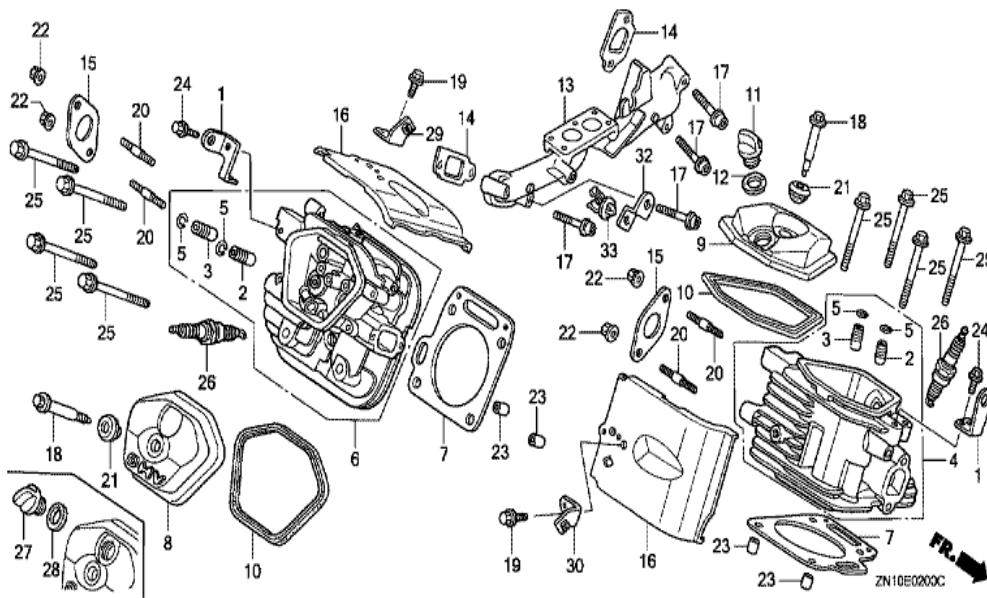
<u>Ref</u>	<u>Partnumber</u>	<u>Description</u>	<u>GX670</u>	<u>Serial Numbers</u>
001	18310-ZJ1-004	MUFFLER COMP. (HIGH-R) (FUTABA) (SILVER)	(1)	
001	18310-ZN1-003	MUFFLER COMP. (HIGH-R) (NELSON) (BLACK M)	(1)	
001	18310-ZN1-003	MUFFLER COMP. (HIGH-R) (NELSON) (BLACK M)	(1)	
002	18321-ZJ1-000	PROTECTOR, MUFFLER (HIGH) (FUTABA)	(1)	
002	18321-ZN1-003	PROTECTOR, MUFFLER (HIGH) (NELSON)	(1)	
002	18321-ZN1-003	PROTECTOR, MUFFLER (HIGH) (NELSON)	(1)	
003	18338-ZJ1-000	STAY, MUFFLER (HIGH-FUTABA)	(1)	
003	18338-ZJ1-841	STAY, MUFFLER (HIGH-NELSON)	(1)	
003	18338-ZJ1-841	STAY, MUFFLER (HIGH-NELSON)	(1)	
004	18355-ZN1-003	ARRESTER, SPARK	(1)	
005	90009-ZJ1-801	SCREW (NELSON)	(1)	
006	95701-0600800	BOLT, FLANGE, 6X8	(6)	
007	95701-0801400	BOLT, FLANGE, 8X14	(4)	
<u>Ref</u>	<u>Partnumber</u>	<u>Description</u>	<u>GX670</u>	<u>Serial Numbers</u>
008	95701-0802000	BOLT, FLANGE, 8X20	(4)	
009	18300-ZJ1-880	MUFFLER ASSY. (HIGH-R) (FUTABA) (SILVER)	(1)	
010	18355-ZJ1-010	ARRESTER, SPARK	(1)	
011	90007-Z6L-000	SCREW, TAPPING, 5X8	(1)	
011	93901-250J0	SCREW, TAPPING, 5X8	(1)	



<u>Ref</u>	<u>Partnumber</u>	<u>Description</u>	<u>GX670</u>	<u>Serial Numbers</u>
001	18310-ZJ1-802	MUFFLER COMP. (HIGH-L) (FUTABA) (SILVER	(1)	
001	18310-ZJ1-802	MUFFLER COMP. (HIGH-L) (FUTABA) (SILVER	1	
001	18310-ZN1-802	MUFFLER COMP. (HIGH-L) (NELSON) (BLACK M	(1)	
001	18310-ZN1-802	MUFFLER COMP. (HIGH-L) (NELSON) (BLACK M	(1)	
002	18321-ZJ1-000	PROTECTOR, MUFFLER (HIGH) (FUTABA)	1	
002	18321-ZN1-003	PROTECTOR, MUFFLER (HIGH) (NELSON)	1	1056805
002	18321-ZN1-003	PROTECTOR, MUFFLER (HIGH) (NELSON)	(1)	
003	18338-ZJ1-000	STAY, MUFFLER (HIGH-FUTABA)	1	
003	18338-ZJ1-841	STAY, MUFFLER (HIGH-NELSON)	1	1057724
003	18338-ZJ1-841	STAY, MUFFLER (HIGH-NELSON)	(1)	
004	18355-ZN1-003	ARRESTER, SPARK	(1)	1056805
005	90009-ZJ1-801	SCREW (NELSON)	(1)	1056805
006	95701-0600800	BOLT, FLANGE, 6X8	(6)	
<u>Ref</u>	<u>Partnumber</u>	<u>Description</u>	<u>GX670</u>	<u>Serial Numbers</u>
006	95701-0600800	BOLT, FLANGE, 6X8	(6)	
007	95701-0801400	BOLT, FLANGE, 8X14	4	
007	95701-0801400	BOLT, FLANGE, 8X14	(4)	
008	95701-0802000	BOLT, FLANGE, 8X20	4	
008	95701-0802000	BOLT, FLANGE, 8X20	(4)	
009	18355-ZJ1-000	ARRESTER, SPARK	(1)	
009	18355-ZJ1-010	ARRESTER, SPARK	(1)	
010	90007-Z6L-000	SCREW, TAPPING, 5X8	(1)	
011	18300-ZJ1-890	MUFFLER ASSY. (HIGH-L) (FUTABA) (SILVER	(1)	
011	18300-ZJ1-890	MUFFLER ASSY. (HIGH-L) (FUTABA) (SILVER	(1)	



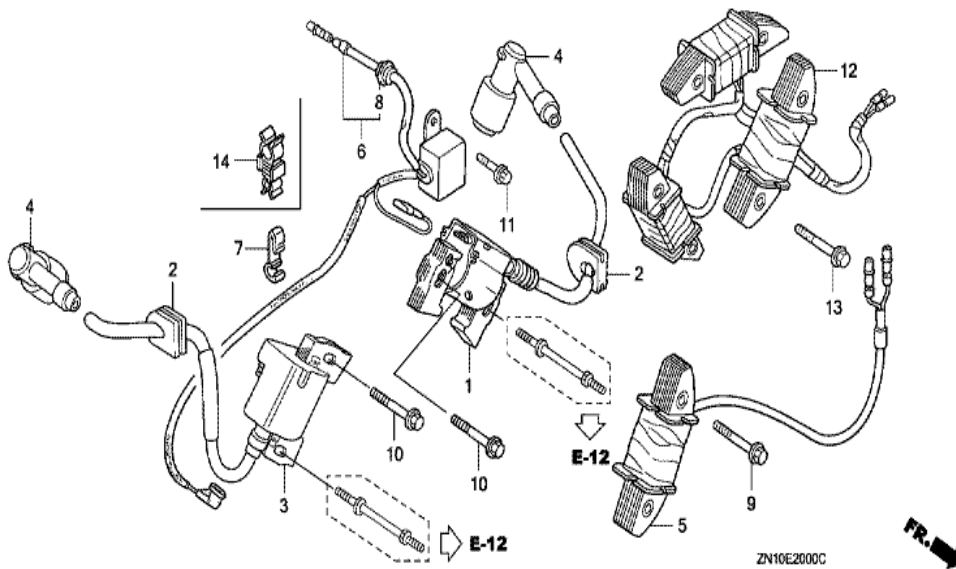
Ref	Partnumber	Description	GX670	Serial Numbers
001	19511-ZJ1-000	FAN, COOLING	1	
002	19513-ZJ1-000	PLATE, COOLING FAN SETTING	1	
005	31110-ZJ1-850	FLYWHEEL COMP.	1	
005	31110-ZJ1-850	FLYWHEEL COMP.	1	
006	90201-ZG3-000	NUT, FLANGE, 20MM	1	
007	90401-ZG3-000	WASHER, 20MM	1	
008	90741-ZE2-000	KEY, SPECIAL WOODRUFF, 25X18	1	
010	95701-0801600	BOLT, FLANGE, 8X16	3	



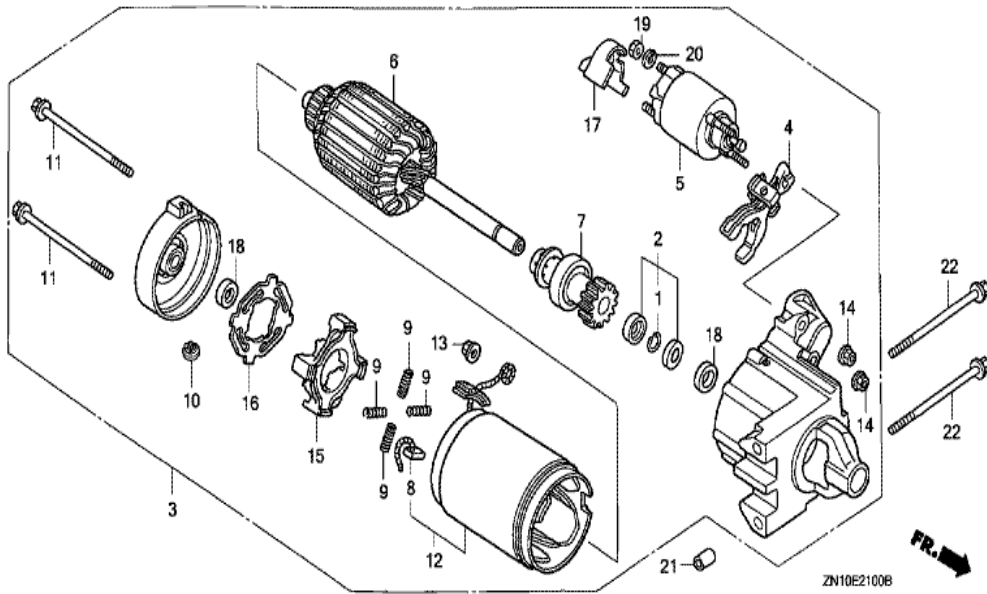
Ref	Partnumber	Description	GX670	Serial Numbers
001	11911-ZJ1-840	HANGER, ENGINE	2	
001	11911-ZJ1-840	HANGER, ENGINE	2	
002	12204-ZE2-306	GUIDE, IN. VALVE (O.S.)	2	
003	12205-ZJ1-405	GUIDE, EX. VALVE (O.S.)	2	
004	12210-ZJ1-407	HEAD COMP., CYLINDER (#1)	1	
004	12210-ZJ1-407	HEAD COMP., CYLINDER (#1)	1	
005	12216-ZE2-300	CLIP, VALVE GUIDE	4	
006	12220-ZJ1-406	HEAD COMP., CYLINDER (#2)	1	
006	12220-ZJ1-406	HEAD COMP., CYLINDER (#2)	1	
007	12251-ZN1-821	GASKET, CYLINDER HEAD	2	
008	12314-ZJ1-840	COVER, HEAD FILLER	1	
009	12311-ZJ1-840	COVER, HEAD	1	
009	12311-ZJ1-840	COVER, HEAD	1	

<u>Ref</u>	<u>Partnumber</u>	<u>Description</u>	<u>GX670</u>	<u>Serial Numbers</u>
010	12391-ZE2-020	PACKING, HEAD COVER	2	
013	17101-ZN1-000	MANIFOLD, INTAKE	1	
014	17151-ZJ1-841	GASKET, INTAKE MANIFOLD	2	
015	18333-ZE3-800	GASKET, EX. PIPE	2	
016	19682-ZJ1-840	SHROUD, HEAD	2	
017	90011-ZJ1-841	BOLT, SOCKET, 8X45	4	
018	90014-ZE2-000	BOLT, HEAD COVER	2	
019	90014-952-000	BOLT, FLANGE, 6X14 (CT200)	2	
020	90018-ZJ1-840	BOLT, STUD, 8X22	4	
021	90441-ZE2-010	WASHER COMP., HEAD COVER	2	
022	94050-08000	NUT, FLANGE, 8MM	4	
023	94301-12200	DOWEL PIN, 12X20	4	
024	95701-0802000	BOLT, FLANGE, 8X20	2	
025	90081-KK0-000	BOLT, FLANGE, 10X81	8	
025	90081-KK0-000	BOLT, FLANGE, 10X81	8	
026	98079-5547V	PLUG, SPARK (ZGR5A-4)	2	
026	98079-5547V	PLUG, SPARK (ZGR5A-4)	2	
027	15611-MB0-000	CAP, OIL FILLER	1	
028	15625-ZJ1-840	PACKING, OIL FILLER CAP	1	
029	17213-ZJ4-830	BRACKET, R. AIR CLEANER	1	
030	17214-ZJ4-830	BRACKET, L. AIR CLEANER	1	



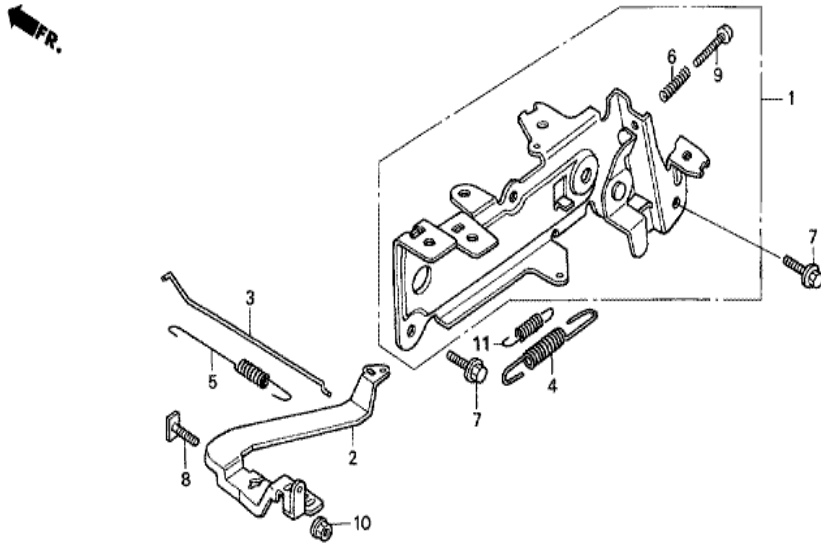


<u>Ref</u>	<u>Partnumber</u>	<u>Description</u>	<u>GX670</u>	<u>Serial Numbers</u>
001	30500-ZJ1-844	COIL ASSY., IGNITION (BLACK) (200MM)	1	1055357
001	30500-ZJ1-844	COIL ASSY., IGNITION (BLACK) (200MM)	1	
002	30518-ZJ1-000	GROMMET, HIGH TENSION CORD	2	
003	30550-ZJ1-844	COIL ASSY., IGNITION (GRAY) (215MM)	1	1055357
003	30550-ZJ1-844	COIL ASSY., IGNITION (GRAY) (215MM)	1	
004	30700-ZJ1-841	CAP ASSY., NOISE SUPPRESSOR	2	
005	31630-ZJ1-003	COIL ASSY., CHARGE (12V/3A)	1	
005	31630-ZJ1-003	COIL ASSY., CHARGE (12V/3A)	1	1015208
005	31630-ZJ1-013	COIL ASSY., CHARGE (12V/3A)	1	1055358
005	31630-ZJ1-013	COIL ASSY., CHARGE (12V/3A)	1	1015209
006	31740-ZJ1-881	DIODE ASSY., ENGINE STOP	1	
006	31740-ZJ1-881	DIODE ASSY., ENGINE STOP	1	
008	63312-ZA7-000	GROMMET, TOOL	1	
<u>Ref</u>	<u>Partnumber</u>	<u>Description</u>	<u>GX670</u>	<u>Serial Numbers</u>
009	90014-ZE6-000	BOLT, FLANGE, 6X35 (CT200)	2	
010	90031-ZE1-000	BOLT, FLANGE, 6X32	2	
011	95701-0600800	BOLT, FLANGE, 6X8	1	



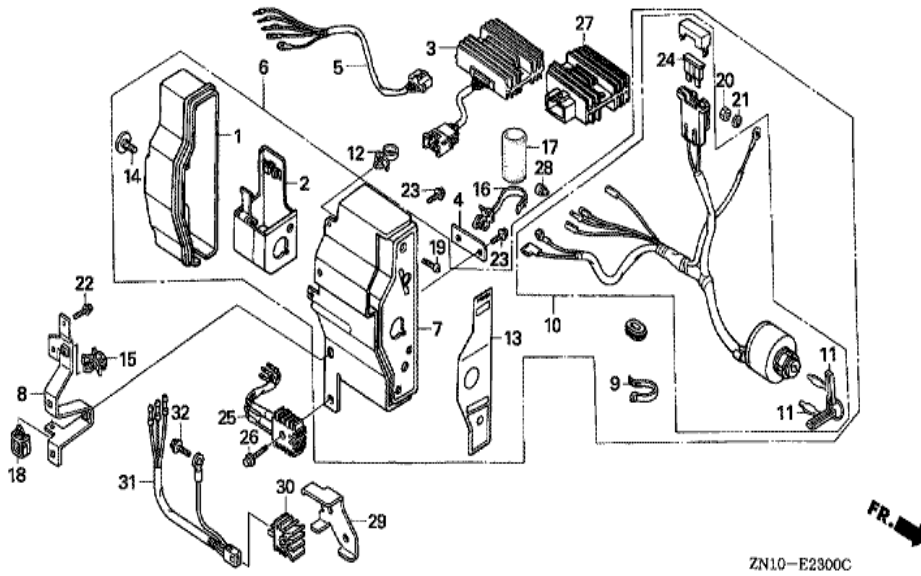
Ref	Partnumber	Description	GX670	Serial Numbers
001	30201-PH9-004	RING, SNAP (DENSO)	1	
002	30202-PZ1-003	COLLAR SET, CLUTCH STOP	1	
003	31200-ZJ1-841	MOTOR ASSY., STARTER	1	1055418
003	31200-ZJ1-841	MOTOR ASSY., STARTER	1	1014872
003	31200-ZJ1-842	MOTOR ASSY., STARTER	1	1055419
003	31200-ZJ1-842	MOTOR ASSY., STARTER	1	1014873
004	31203-PH9-004	LEVER, PINION DRIVE	1	
005	31204-ZJ1-H01	SWITCH ASSY., MAGNET	1	1055418
005	31204-ZJ1-H01	SWITCH ASSY., MAGNET	1	1014872
005	31204-ZJ1-H02	SWITCH ASSY., MAGNET	1	1055419
005	31204-ZJ1-H02	SWITCH ASSY., MAGNET	1	1014873
006	31206-ZG4-801	ARMATURE COMP.	1	
007	31207-ZJ1-H01	CLUTCH COMP., OVERRUNNING	1	

<u>Ref</u>	<u>Partnumber</u>	<u>Description</u>	<u>GX670</u>	<u>Serial Numbers</u>
008	31211-PH9-004	BRUSH	4	
009	31212-PH9-004	SPRING, BRUSH	4	
010	31213-P64-N01	COVER	1	
011	31214-PH9-004	BOLT, THROUGH	2	
012	31218-P64-N01	YOKE COMP.	1	
012	31218-P64-N01	YOKE COMP.	1	
013	31220-PH9-004	NUT, HEX., 8MM	1	
014	31223-PA0-006	NUT, HEX.	2	
015	31231-PH9-004	HOLDER, BRUSH	1	
016	31233-PH9-004	INSULATOR, BRUSH HOLDER	1	
017	31234-ZJ1-H01	COVER, TERMINAL	1	1055418
017	31234-ZJ1-H01	COVER, TERMINAL	1	1014872
017	31234-ZJ1-H02	COVER, TERMINAL	1	
017	31234-ZJ1-H02	COVER, TERMINAL	1	1014873
018	91002-ZG4-801	BEARING A	2	
019	94001-082000S	NUT, HEX., 8MM	1	
020	94111-08000	WASHER, SPRING, 8MM	1	
021	94301-10120	DOWEL PIN, 10X12	2	
022	95701-0811000	BOLT, FLANGE, 8X110	2	

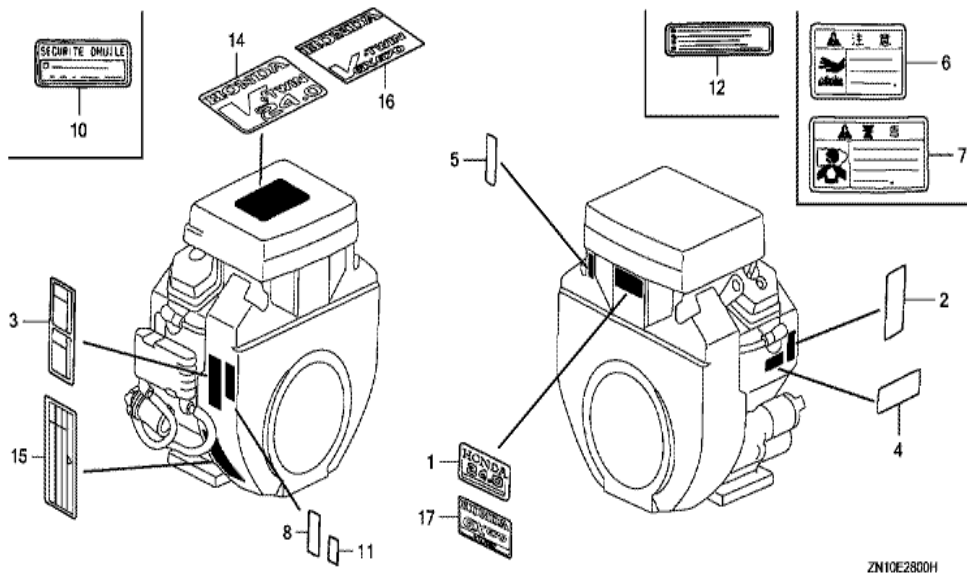


ZN10-E2203A

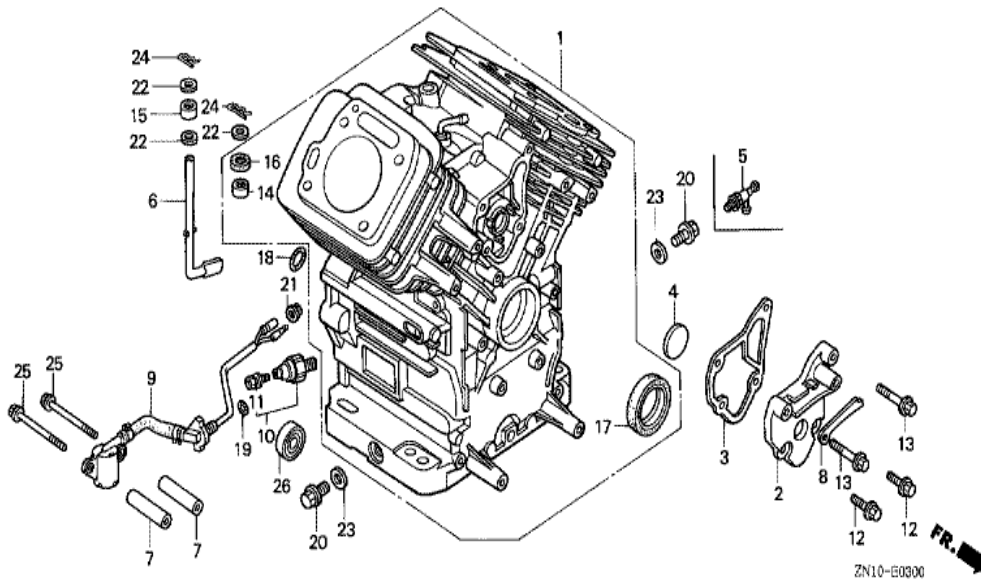
Ref	Partnumber	Description	GX670	Serial Numbers
001	16500-ZJ1-930	CONTROL ASSY. (GENE)	1	
002	16551-ZJ1-840	ARM, GOVERNOR	1	
003	16555-ZN2-000	ROD, GOVERNOR	1	
004	16561-ZN1-830	SPRING, GOVERNOR	1	1002219
005	16562-ZN2-010	SPRING, THROTTLE RETURN	1	
006	16584-883-300	SPRING, CONTROL ADJUSTING	1	
007	90014-952-000	BOLT, FLANGE, 6X14 (CT200)	2	
008	90015-ZE3-790	BOLT, GOVERNOR ARM	1	
009	93500-050350A	SCREW, PAN, 5X35	1	
010	94050-06000	NUT, FLANGE, 6MM	1	
011	16534-ZN1-000	SPRING, STARTER	1	1002219
011	16534-ZN1-010	SPRING, STARTER	1	1010926
011	16534-ZN1-010	SPRING, STARTER	1	1010926



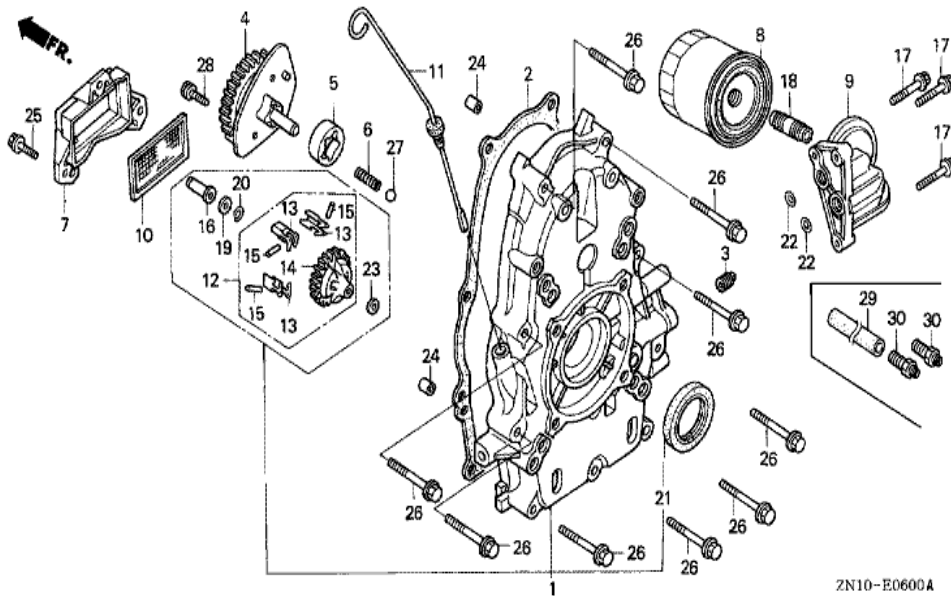
Ref	Partnumber	Description	GX670	Serial Numbers
005	32105-ZJ1-800	HARNESS ASSY., SUB WIRE	1	
027	31600-ZE2-861	RECTIFIER ASSY., REGULATOR (10A)	1	
028	32823-ZV5-003	PLUG, INNER CONNECTOR	1	



Ref	Partnumber	Description	GX670	Serial Numbers
011	87114-ZH7-821	LABEL, WARNING (NOT CERTIFIED FOR SALE)	1	1016387



<u>Ref</u>	<u>Partnumber</u>	<u>Description</u>	<u>GX670</u>	<u>Serial Numbers</u>
001	12000-ZN1-407	BARREL ASSY., CYLINDER	1	1016257
001	12000-ZN1-417	BARREL ASSY., CYLINDER	1	1016258
002	12356-ZJ1-000	COVER, BREATHER	1	
003	12358-ZJ1-000	PACKING, BREATHER COVER	1	
004	12372-ZE2-300	VALVE, BREATHER	1	
005	15558-ZJ1-003	VALVE, OIL SHUT-OFF	(1)	
006	16541-ZJ1-840	SHAFT, GOVERNOR ARM	1	
008	31511-ZJ1-000	CLAMPER, CORD	1	
010	35490-Z6D-003	SWITCH ASSY., OIL PRESSURE	1	1011518
010	37240-ZG3-E01	SWITCH, OIL PRESSURE	1	1010161
010	37240-ZG5-004	SWITCH, OIL PRESSURE	1	1010162 1011517
011	90002-ZG5-004	SCREW-WASHER, 4X8	1	1011517
011	90002-ZW2-F01	SCREW-WASHER, 4X8	1	1011518
<u>Ref</u>	<u>Partnumber</u>	<u>Description</u>	<u>GX670</u>	<u>Serial Numbers</u>
012	90029-888-000	BOLT, FLANGE, 6X16 (CT200)	2	
013	90031-ZE1-000	BOLT, FLANGE, 6X32	2	
014	91001-ZJ1-841	BEARING, NEEDLE, 8X12.7X11.1	1	
015	91002-ZJ1-841	BEARING, NEEDLE, 8X12X10	1	
016	91201-ZE9-003	OIL SEAL, 8X14X5	1	
017	91201-ZJ1-841	OIL SEAL, 38X58X9	1	
018	91302-MB6-830	O-RING, 13X3.0	1	
020	92800-14000	BOLT, DRAIN PLUG, 14MM	2	
022	94102-08800	WASHER, PLAIN, 8MM	3	
023	94109-14000	WASHER, DRAIN PLUG, 14MM	2	
024	94251-08000	PIN, LOCK, 8MM	2	
026	96140-6003010	BEARING, RADIAL BALL, 6003	1	

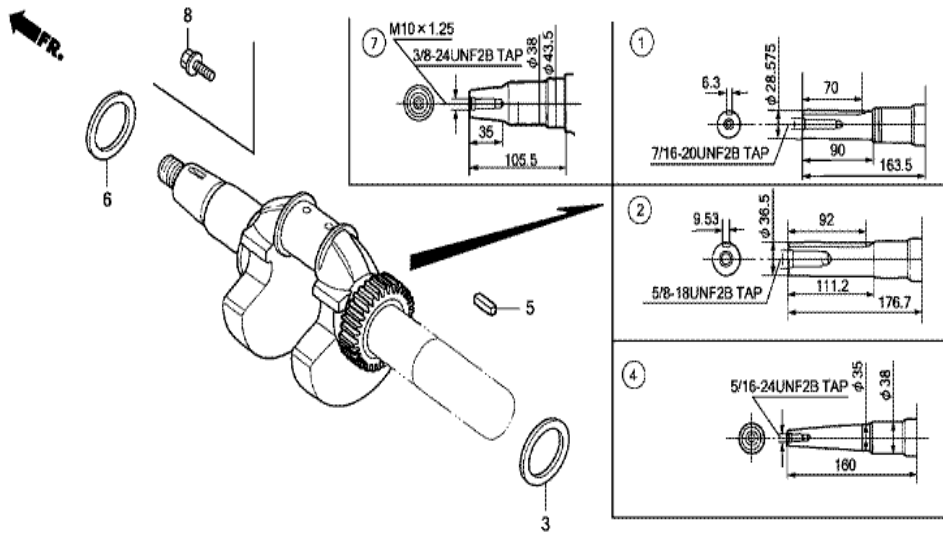


ZN10-E0600A

Ref	Partnumber	Description	GX670	Serial Numbers
001	11300-ZJ1-841	COVER ASSY., CRANKCASE	1	1010161
001	11300-ZJ1-842	COVER ASSY., CRANKCASE	1	1010162 1011085
001	11300-ZJ1-843	COVER ASSY., CRANKCASE	1	1011086
002	11381-ZJ1-840	GASKET, CASE COVER	1	
004	15120-ZJ1-000	COVER ASSY., OIL PUMP (TWO BOLTS)	1	1011085
004	15120-ZJ1-010	COVER ASSY., OIL PUMP (THREE BOLTS)	1	1011086
005	15124-ZJ1-003	ROTOR, OIL PUMP OUTER	1	
006	15232-ZJ1-000	SPRING, RELIEF VALVE	1	
007	15348-ZJ1-840	COVER, OIL FILTER	1	
008	15400-ZJ1-004	CARTRIDGE, OIL FILTER (TOYO ROKI)	1	
008	15400-ZJ1-004	CARTRIDGE, OIL FILTER (TOYO ROKI)	1	
009	15411-ZN1-000	BASE, OIL FILTER	1	
010	15427-ZJ1-000	SCREEN, OIL FILTER	1	

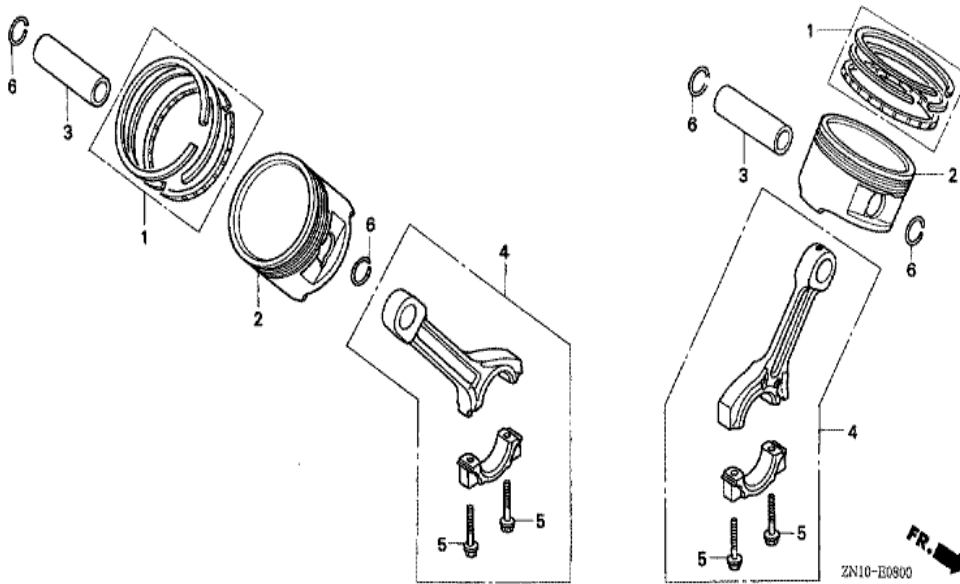


<u>Ref</u>	<u>Partnumber</u>	<u>Description</u>	<u>GX670</u>	<u>Serial Numbers</u>
011	15655-ZJ1-861	GAUGE COMP., OIL LEVEL	1	
011	15655-ZJ1-861	GAUGE COMP., OIL LEVEL	1	
012	16510-ZJ1-840	GOVERNOR ASSY.	1	
013	16511-ZJ1-840	WEIGHT, GOVERNOR	3	
014	16512-ZJ1-840	HOLDER, GOVERNOR WEIGHT	1	
015	16513-ZE2-000	PIN, GOVERNOR WEIGHT	3	
016	16531-Z0A-000	SLIDER, GOVERNOR	1	
017	90015-883-000	BOLT, FLANGE, 6X28 (CT200)	3	
018	90018-PN3-000	HOLDER, OIL FILTER	1	
019	90473-147-000	WASHER, 6X16	1	
020	90602-ZE1-000	CLIP, GOVERNOR HOLDER	1	
021	91202-ZJ1-841	OIL SEAL, 38X58X9	1	
022	91302-ZE9-003	O-RING, 11.8X2.4	2	
023	94101-06800	WASHER, PLAIN, 6MM	1	
024	94301-08140	DOWEL PIN, 8X14	2	
025	95701-0602000	BOLT, FLANGE, 6X20	3	
026	95701-0805000	BOLT, FLANGE, 8X50	9	
027	96211-12000	BALL, STEEL, #12 (3/8)	1	
028	96600-0601600	BOLT, SOCKET, 6X16	2	1054661
028	96600-0601600	BOLT, SOCKET, 6X16	3	1011086
029	15614-ZN1-820	HOSE, OIL	1	
030	15615-ZN1-820	JOINT, OIL HOSE	2	

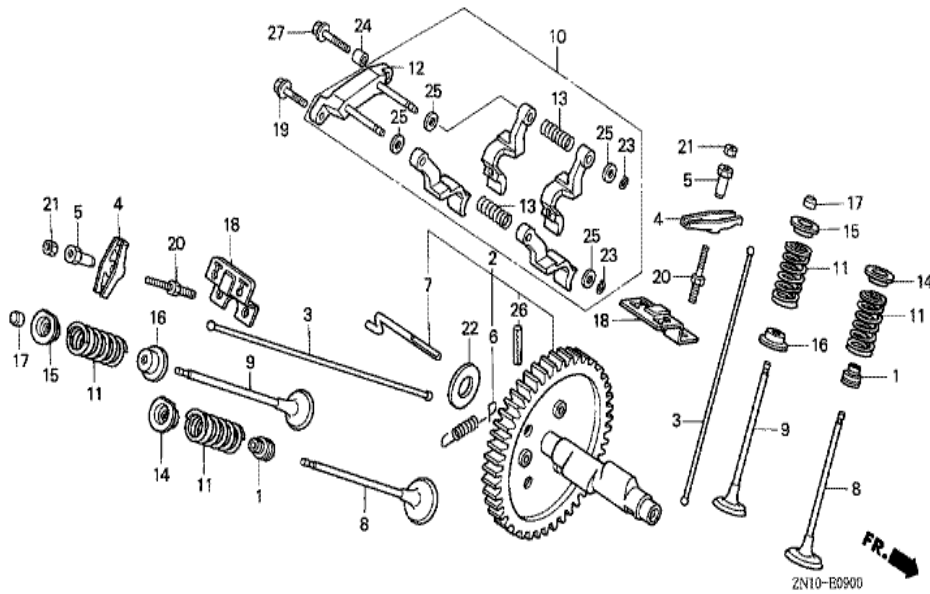


ZN10E0700C

Ref	Partnumber	Description	GX670	Serial Numbers
003	90401-ZJ1-000	WASHER, CRANKSHAFT THRUST (38.5X54.0X1.0	1	
004	13310-ZN1-810	CRANKSHAFT COMP.	1	



<u>Ref</u>	<u>Partnumber</u>	<u>Description</u>	<u>GX670</u>	<u>Serial Numbers</u>
001	13010-Z5H-004	RING SET, PISTON (STD.) (TPR)	2	1055985
001	13010-ZJ1-841	RING SET, PISTON (STD.) (NIPPON)	2	1015825
001	13011-Z5H-004	RING SET, PISTON (0.25) (TPR)	(2)	1015826
001	13011-ZJ1-841	RING SET, PISTON (0.25) (NIPPON)	(2)	1015825
001	13012-Z5H-004	RING SET, PISTON (0.50) (TPR)	(2)	1015826
001	13012-ZJ1-841	RING SET, PISTON (0.50) (NIPPON)	(2)	1015825
001	13013-Z5H-004	RING SET, PISTON (0.75) (TPR)	(2)	1015826
001	13013-ZJ1-841	RING SET, PISTON (0.75) (NIPPON)	(2)	1015825
002	13101-ZN1-000	PISTON (STD.)	2	1015825
002	13101-ZN1-010	PISTON (STD.)	2	1015826
002	13102-ZN1-000	PISTON (0.25)	(2)	1015825
002	13102-ZN1-010	PISTON (0.25)	(2)	1015826
002	13103-ZN1-000	PISTON (0.50)	(2)	1015825
<u>Ref</u>	<u>Partnumber</u>	<u>Description</u>	<u>GX670</u>	<u>Serial Numbers</u>
002	13103-ZN1-010	PISTON (0.50)	(2)	1015826
002	13104-ZN1-000	PISTON (0.75)	(2)	1015825
002	13104-ZN1-010	PISTON (0.75)	(2)	1015826
003	13111-ZJ1-840	PIN, PISTON	2	
004	13200-ZN1-003	ROD ASSY., CONNECTING	2	
005	90001-ZN1-000	BOLT, CONNECTING ROD, 6X37	4	
006	90551-ZE1-000	CLIP, PISTON PIN, 18MM	4	



Ref	Partnumber	Description	GX670	Serial Numbers
001	12209-ZE8-003	SEAL, VALVE STEM	2	
002	14100-ZJ1-842	CAMSHAFT ASSY.	1	
003	14410-ZJ1-840	ROD, PUSH	4	
004	14431-ZE2-010	ARM, VALVE ROCKER	4	
005	14451-ZE1-013	PIVOT, ROCKER ARM	4	
006	14568-ZJ1-841	SPRING, WEIGHT RETURN	1	
007	14576-ZJ1-840	PIN, DECOMPER	1	
008	14711-ZF6-F00	VALVE, IN. (GAS)	2	
009	14721-ZF6-F00	VALVE, EX. (GAS)	2	
010	14730-ZJ1-841	LIFTER ASSY., VALVE	1	1015824
010	14730-ZJ1-842	LIFTER ASSY., VALVE	1	1015825
011	14751-ZE2-003	SPRING, VALVE	4	
012	14760-ZJ1-840	SHAFT COMP., VALVE LIFTER	1	
Ref	Partnumber	Description	GX670	Serial Numbers
013	14764-ZJ1-840	SPRING, VALVE LIFTER	2	
014	14771-ZE2-000	RETAINER, IN. VALVE SPRING	2	
015	14771-ZE2-000	RETAINER, IN. VALVE SPRING	2	
015	14771-ZE2-000	RETAINER, IN. VALVE SPRING	2	
016	14775-ZE2-010	SEAT, VALVE SPRING	2	
018	14791-ZE2-010	GUIDE, PUSH ROD	2	
019	90005-896-000	BOLT, FLANGE, 5X16	1	
020	90012-ZE0-010	BOLT, PIVOT, 8MM	4	
021	90206-ZE1-000	NUT, PIVOT ADJUSTING	4	
022	90446-357-000	WASHER, THRUST, 17.2MM	1	
023	90602-ZE1-000	CLIP, GOVERNOR HOLDER	2	
024	90702-GB6-910	DOWEL PIN, 8X12	1	
025	94101-06800	WASHER, PLAIN, 6MM	4	
026	94305-60282	PIN, SPRING, 6X28	1	
027	95701-0602500	BOLT, FLANGE, 6X25	1	