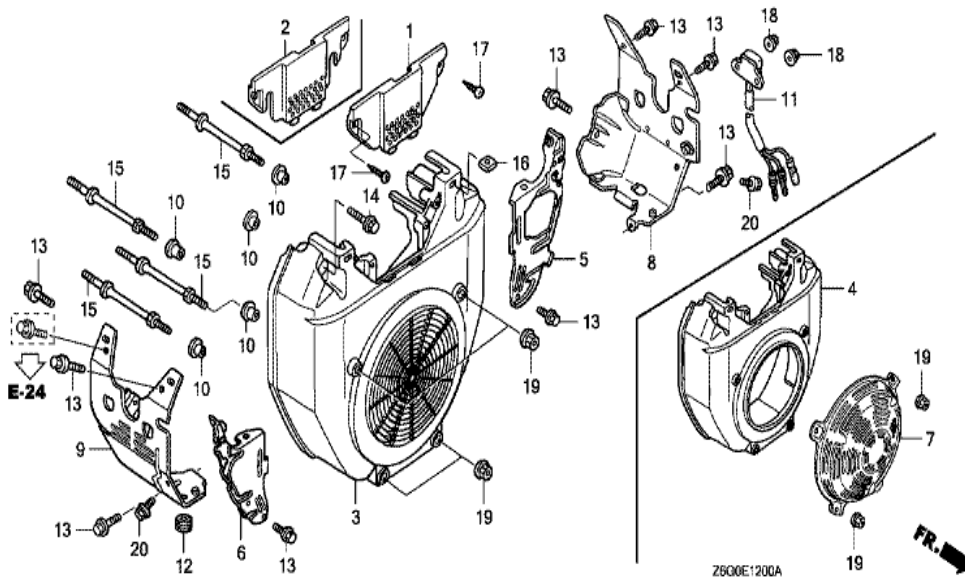


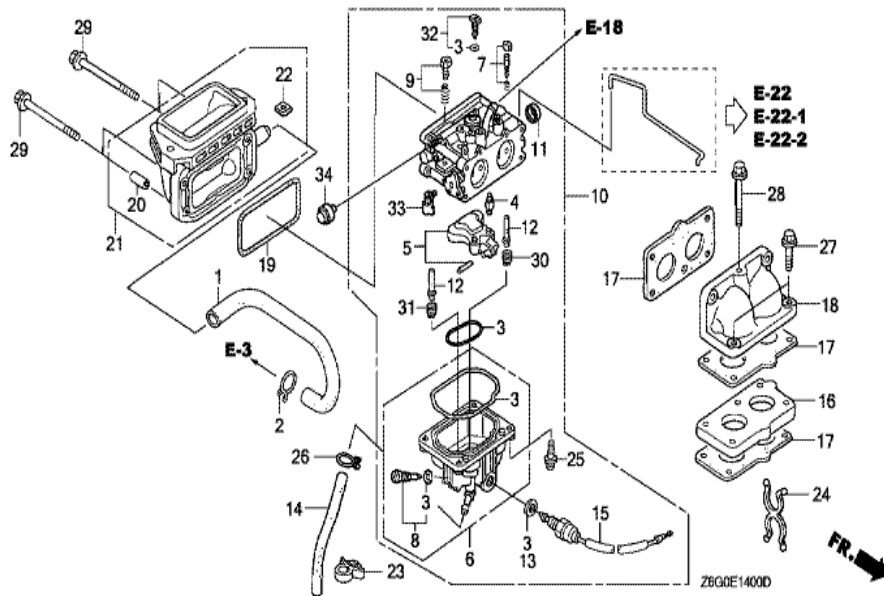
GX670U(TXA2)

E-12 FAN COVER



Ref	Partnumber	Description	GX670U	Serial Numbers
002	16715-ZJ1-850	COVER, FUEL PUMP (MANUAL CONTROL)	1	
003	19611-ZJ1-840ZA	COVER, FAN *NH1 *	1	
003	19611-ZJ1-840ZC	COVER, FAN *R280 *	1	
003	19611-ZJ1-840ZC	COVER, FAN *R280 *	1	
005	19612-ZJ1-841	PLATE, SIDE	1	
006	19614-ZJ1-841	PLATE, SIDE	1	
008	19631-ZJ1-850	SHROUD (OIL ALERT)	1	
008	19631-ZJ1-850	SHROUD (OIL ALERT)	1	
009	19632-ZN1-010	SHROUD	1	
010	33713-GC2-000	COLLAR B, TAILLIGHT	6	
011	34150-ZJ1-842	ALERT UNIT, OIL	1	
011	34150-ZJ1-842	ALERT UNIT, OIL	1	1032350
011	34150-ZJ1-843	ALERT UNIT, OIL	1	
<u>Ref</u>	<u>Partnumber</u>	<u>Description</u>	<u>GX670U</u>	<u>Serial Numbers</u>
011	34150-ZJ1-843	ALERT UNIT, OIL	1	1032351
012	80101-310-000	RUBBER, RR. FENDER CUSHION	1	
013	90013-883-000	BOLT, FLANGE, 6X12 (CT200)	9	
014	90018-ZE1-000	BOLT, FLANGE, 6X23 (CT200)	2	
015	90042-ZJ1-840	BOLT, STUD, 6X71	4	
017	93913-25580	SCREW, TAPPING, 5X20	2	
018	94050-05000	NUT, FLANGE, 5MM	2	
019	94050-06000	NUT, FLANGE, 6MM	4	
020	95701-0600800	BOLT, FLANGE, 6X8	2	

GX670U(TXA2)	E-14 CARBURETOR
--------------	-----------------

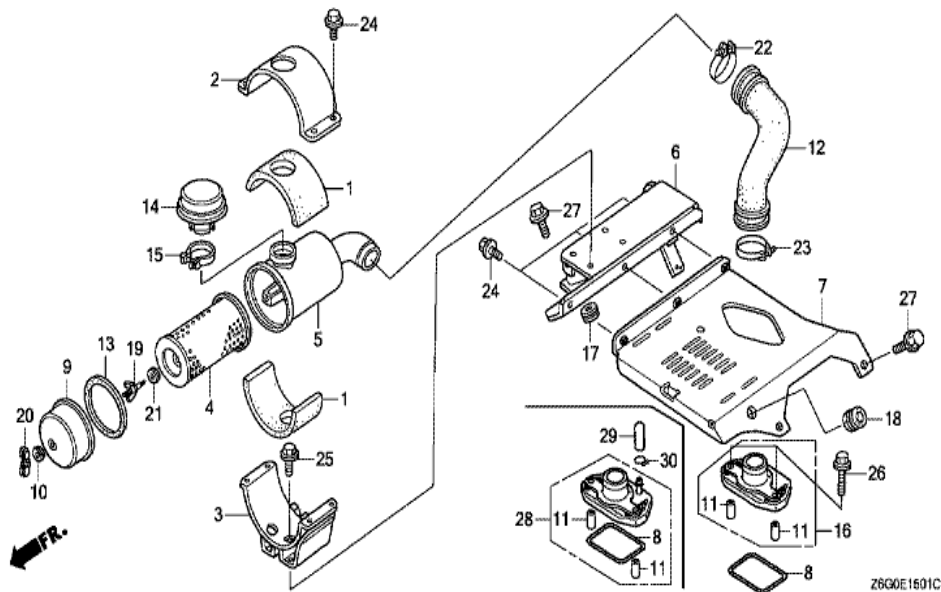


Ref	Partnumber	Description	GX670U	Serial Numbers
001	12357-ZJ1-840	TUBE, BREATHER	1	
002	15772-551-000	CLIP, BREATHER TUBE	1	
003	16010-ZN1-801	GASKET SET	1	
004	16011-ZN1-801	VALVE SET, FLOAT	1	
005	16013-ZN1-801	FLOAT SET	1	
006	16015-ZN1-801	CHAMBER SET, FLOAT	1	
007	16016-ZN1-801	SCREW SET, PILOT	2	
007	16016-ZN1-801	SCREW SET, PILOT	2	
008	16024-124-760	SCREW SET, DRAIN	1	
009	16028-ZN1-801	SCREW SET, THROTTLE	1	
010	16100-ZN1-821	CARBURETOR ASSY. (BK01D A)	1	1019051
010	16100-ZN1-821	CARBURETOR ASSY. (BK01D A)	1	1019051
010	16100-ZN1-822	CARBURETOR ASSY. (BK01D B)	1	

<u>Ref</u>	<u>Partnumber</u>	<u>Description</u>	<u>GX670U</u>	<u>Serial Numbers</u>
010	16100-ZN1-822	CARBURETOR ASSY. (BK01D B)	1	1019052
011	16148-141-881	CAP, CHOKE DUST	1	
012	16166-ZN1-801	NOZZLE, MAIN	2	
013	16178-ZN1-801	WASHER, PLAIN	1	
014	16198-ZJ1-840	TUBE, DRAIN	1	
015	16200-ZN1-801	VALVE ASSY., SOLENOID (KEIHIN)	1	
016	16211-ZN1-000	INSULATOR, CARBURETOR	1	
017	16221-ZN1-000	PACKING, CARBURETOR	3	
018	17103-ZN1-010	ELBOW, MANIFOLD	1	
019	17228-ZN1-000	PACKING, AIR CLEANER	1	
020	17238-ZJ4-830	COLLAR A, AIR CLEANER	4	
021	17410-ZN1-000	ELBOW COMP., AIR CLEANER	1	
022	90314-ZJ1-840	NUT, INSERT, 6MM	2	
023	90682-959-661	CLIP B, CABLE (9MM BLACK)	1	
024	91402-ZJ1-841	CLIP, PURSE LOCK	1	
025	93500-040121H	SCREW, PAN, 4X12	4	
026	95002-02080	CLIP, TUBE (B8)	1	
027	95701-0603000	BOLT, FLANGE, 6X30	2	
028	95701-0606500	BOLT, FLANGE, 6X65	1	
029	95801-0609008	BOLT, FLANGE, 6X90	4	
030	99101-ZH80850	JET, MAIN, #85	(1)	
030	99101-ZH80900	JET, MAIN, #90	(1)	
030	99101-ZH80900	JET, MAIN, #90	(1)	
030	99101-ZH80950	JET, MAIN, #95	(1)	
030	99101-ZH80950	JET, MAIN, #95	1	
031	99101-ZH80880	JET, MAIN, #88	(1)	
031	99101-ZH80920	JET, MAIN, #92	(1)	
031	99101-ZH80920	JET, MAIN, #92	(1)	
031	99101-ZH80980	JET, MAIN, #98	(1)	
031	99101-ZH80980	JET, MAIN, #98	1	
032	99204-ZE20380	JET SET, PILOT, #38	2	
032	99204-ZE20380	JET SET, PILOT, #38	2	
033	16126-ZJ1-841	ARM, THROTTLE LINKAGE	1	
<u>Ref</u>	<u>Partnumber</u>	<u>Description</u>	<u>GX670U</u>	<u>Serial Numbers</u>
034	16140-ZN1-004	FILTER ASSY., AIR VENT	(1)	
034	16140-ZN1-004	FILTER ASSY., AIR VENT	(1)	1019052

GX670U(TXA2)

E-15-1 AIR CLEANER (SNORKEL)

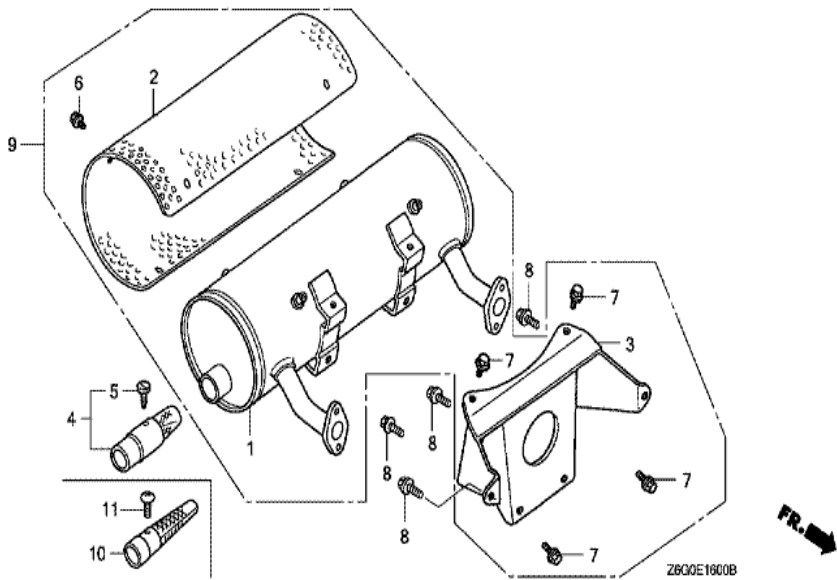


Z8G0E1601C

Ref	Partnumber	Description	GX670U	Serial Numbers
001	17207-ZJ1-840	RUBBER, AIR CLEANER HOLDER UPPER	2	
002	17208-ZJ1-840	HOLDER COMP., AIR CLEANER UPPER	1	
003	17209-ZJ1-840	HOLDER COMP., AIR CLEANER LOWER	1	
004	17210-759-013	ELEMENT COMP., AIR CLEANER	1	
005	17220-ZJ1-850	CASE COMP., AIR CLEANER (SNORKEL)	1	
006	17222-ZJ1-850	STAY COMP. A, AIR CLEANER (SNORKEL)	1	
007	17224-ZJ1-852	STAY COMP. B, AIR CLEANER (SNORKEL)	1	
007	17224-ZJ1-852	STAY COMP. B, AIR CLEANER (SNORKEL)	1	
008	17229-ZN1-000	SEAL, AIR CLEANER CASE	1	
009	17230-759-003	COVER COMP., AIR CLEANER	1	
010	17232-891-000	GROMMET, AIR CLEANER	1	
011	17238-ZJ4-830	COLLAR A, AIR CLEANER	2	
012	17251-ZJ1-850	TUBE, AIR CLEANER CONNECTING	1	1062141

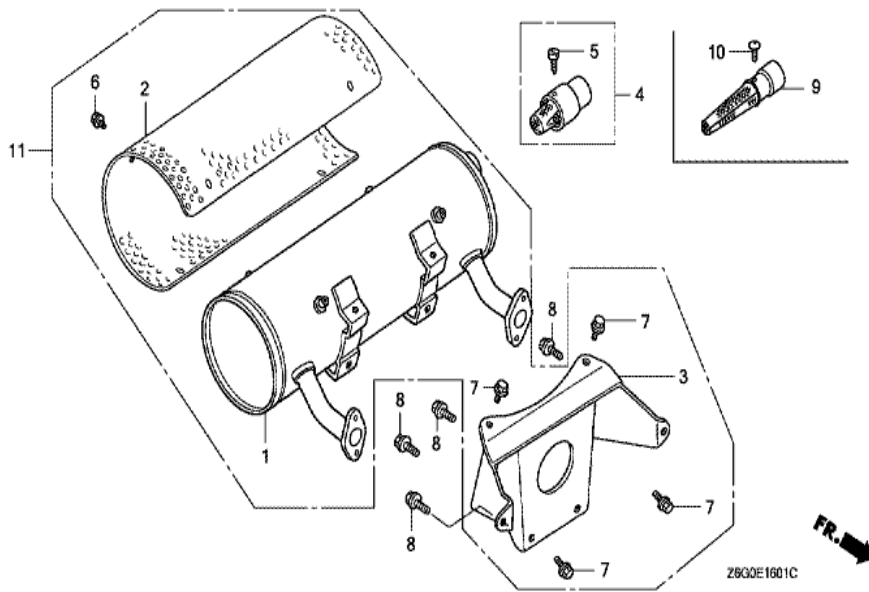
<u>Ref</u>	<u>Partnumber</u>	<u>Description</u>	<u>GX670U</u>	<u>Serial Numbers</u>
012	17251-ZJ1-851	TUBE, AIR CLEANER CONNECTING	1	1062142
013	17253-759-003	SEAL, AIR CLEANER	1	
014	17320-ZG5-801	CAP COMP., IN.	1	
015	17330-ZG5-801	CLAMP ASSY.	1	
016	17418-ZN1-000	JOINT B, CONNECTING TUBE	1	1039076
017	19111-MF5-000	GROMMET, RESERVE TANK	1	
018	83551-MB9-000	GROMMET	1	
019	90113-759-003	BOLT, AIR CLEANER	1	
020	90203-ZA0-800	NUT, WING, 6MM (BLACK)	1	
021	90502-759-003	WASHER, AIR CLEANER	1	
022	95018-52250	BAND, AIR CLEANER CONNECTING TUBE (52)	1	
023	95018-58250	BAND, AIR CLEANER CONNECTING TUBE (58)	1	
024	95701-0601200	BOLT, FLANGE, 6X12	7	
025	95701-0601600	BOLT, FLANGE, 6X16	4	
026	95701-0602800	BOLT, FLANGE, 6X28	2	
027	95701-0802000	BOLT, FLANGE, 8X20	4	
028	17415-Z6G-000	JOINT B, CONNECTING TUBE	1	
028	17415-Z6G-000	JOINT B, CONNECTING TUBE	1	1039077
029	90634-ZL8-H00	CAP, SEALING	1	
029	90634-ZL8-H00	CAP, SEALING	1	1039077
030	95002-02100	CLIP, TUBE (B10)	1	
030	95002-02100	CLIP, TUBE (B10)	1	1039077

GX670U(TXA2)	E-16 MUFFLER (HIGH-R)
--------------	-----------------------



<u>Ref</u>	<u>Partnumber</u>	<u>Description</u>	<u>GX670U</u>	<u>Serial Numbers</u>
001	18310-ZJ1-004	MUFFLER COMP. (HIGH-R) (FUTABA) (SILVER	(1)	
001	18310-ZN1-003	MUFFLER COMP. (HIGH-R) (NELSON) (BLACK M	(1)	
001	18310-ZN1-003	MUFFLER COMP. (HIGH-R) (NELSON) (BLACK M	(1)	
002	18321-ZJ1-000	PROTECTOR, MUFFLER (HIGH) (FUTABA)	(1)	1065382
002	18321-ZJ1-010	PROTECTOR, MUFFLER (HIGH) (FUTABA)	(1)	1065383
002	18321-ZN1-003	PROTECTOR, MUFFLER (HIGH) (NELSON)	(1)	
002	18321-ZN1-003	PROTECTOR, MUFFLER (HIGH) (NELSON)	(1)	
003	18338-ZJ1-000	STAY, MUFFLER (HIGH-FUTABA)	(1)	
003	18338-ZJ1-841	STAY, MUFFLER (HIGH-NELSON)	(1)	
003	18338-ZJ1-841	STAY, MUFFLER (HIGH-NELSON)	(1)	
004	18355-ZN1-003	ARRESTER, SPARK	(1)	
005	90009-ZJ1-801	SCREW (NELSON)	(1)	
006	95701-0600800	BOLT, FLANGE, 6X8	(6)	
<u>Ref</u>	<u>Partnumber</u>	<u>Description</u>	<u>GX670U</u>	<u>Serial Numbers</u>
007	95701-0801400	BOLT, FLANGE, 8X14	(4)	
008	95701-0802000	BOLT, FLANGE, 8X20	(4)	
009	18300-ZJ1-880	MUFFLER ASSY. (HIGH-R) (FUTABA) (SILVER	(1)	1065382
009	18300-ZJ1-881	MUFFLER ASSY. (HIGH-R) (FUTABA) (SILVER	(1)	1065383
010	18355-ZJ1-010	ARRESTER, SPARK	(1)	
011	90007-Z6L-000	SCREW, TAPPING, 5X8	(1)	
011	93901-250J0	SCREW, TAPPING, 5X8	(1)	

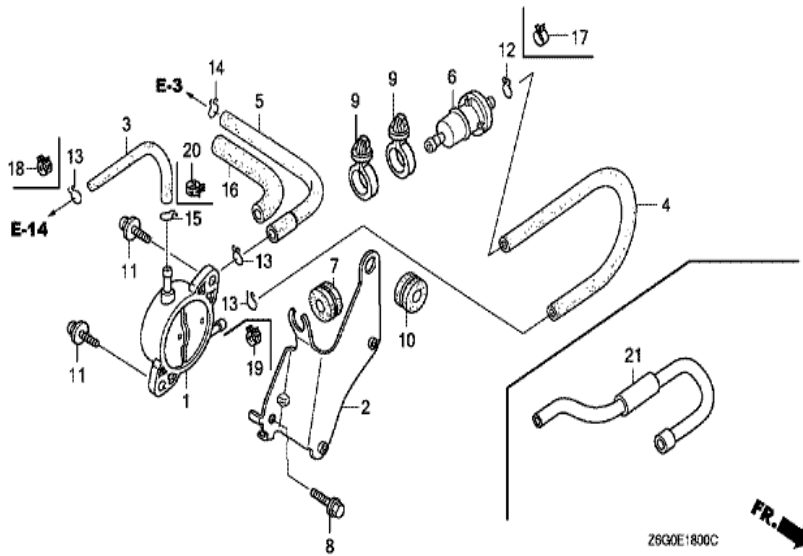
GX670U(TXA2)	E-16-1 MUFFLER (HIGH-L)
--------------	-------------------------



<u>Ref</u>	<u>Partnumber</u>	<u>Description</u>	<u>GX670U</u>	<u>Serial Numbers</u>
001	18310-ZJ1-802	MUFFLER COMP. (HIGH-L) (FUTABA) (SILVER	1	
001	18310-ZJ1-802	MUFFLER COMP. (HIGH-L) (FUTABA) (SILVER	(1)	
001	18310-ZN1-802	MUFFLER COMP. (HIGH-L) (NELSON) (BLACK M	(1)	1057372
001	18310-ZN1-802	MUFFLER COMP. (HIGH-L) (NELSON) (BLACK M	(1)	1057372
002	18321-ZJ1-000	PROTECTOR, MUFFLER (HIGH) (FUTABA)	1	
002	18321-ZJ1-000	PROTECTOR, MUFFLER (HIGH) (FUTABA)	(1)	1065382
002	18321-ZJ1-010	PROTECTOR, MUFFLER (HIGH) (FUTABA)	(1)	1065383
002	18321-ZN1-003	PROTECTOR, MUFFLER (HIGH) (NELSON)	(1)	1057372
002	18321-ZN1-003	PROTECTOR, MUFFLER (HIGH) (NELSON)	(1)	1057372
003	18338-ZJ1-000	STAY, MUFFLER (HIGH-FUTABA)	1	
003	18338-ZJ1-000	STAY, MUFFLER (HIGH-FUTABA)	(1)	
003	18338-ZJ1-841	STAY, MUFFLER (HIGH-NELSON)	(1)	1057372
003	18338-ZJ1-841	STAY, MUFFLER (HIGH-NELSON)	(1)	1057372
<u>Ref</u>	<u>Partnumber</u>	<u>Description</u>	<u>GX670U</u>	<u>Serial Numbers</u>
004	18355-ZN1-003	ARRESTER, SPARK	(1)	
004	18355-ZN1-003	ARRESTER, SPARK	(1)	1057372
005	90009-ZJ1-801	SCREW (NELSON)	(1)	
005	90009-ZJ1-801	SCREW (NELSON)	(1)	1057372
006	95701-0600800	BOLT, FLANGE, 6X8	6	
006	95701-0600800	BOLT, FLANGE, 6X8	(6)	
007	95701-0801400	BOLT, FLANGE, 8X14	4	
007	95701-0801400	BOLT, FLANGE, 8X14	(4)	
008	95701-0802000	BOLT, FLANGE, 8X20	4	
008	95701-0802000	BOLT, FLANGE, 8X20	(4)	
009	18355-ZJ1-010	ARRESTER, SPARK	(1)	
010	90007-Z6L-000	SCREW, TAPPING, 5X8	(1)	
010	93901-250J0	SCREW, TAPPING, 5X8	(1)	
011	18300-ZJ1-890	MUFFLER ASSY. (HIGH-L) (FUTABA) (SILVER	1	1057372
011	18300-ZJ1-890	MUFFLER ASSY. (HIGH-L) (FUTABA) (SILVER	(1)	1057372

GX670U(TXA2)

E-18 FUEL PUMP

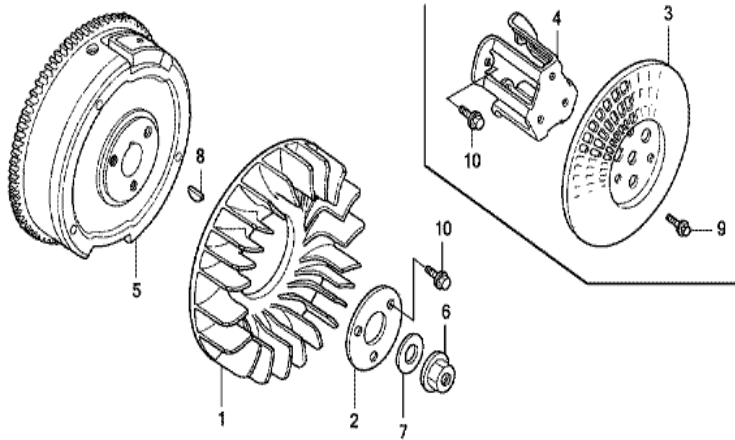


Ref	Partnumber	Description	GX670U	Serial Numbers
001	16700-ZL8-013	PUMP ASSY., FUEL	1	
002	16711-ZJ1-840	STAY, FUEL PUMP	1	
003	16851-Z6G-003	TUBE, FUEL (FKM)	1	1004576
003	16851-Z6G-003	TUBE, FUEL (FKM)	1	1004832 1050818
003	16851-Z6G-013	TUBE, FUEL (FKM)	1	1050819
003	16851-Z6G-013	TUBE, FUEL (FKM)	1	1050819
003	16851-ZN1-000	TUBE, FUEL	1	1004575
003	16851-ZN1-000	TUBE, FUEL	1	1004831
004	16852-Z6C-851	TUBE B, FUEL (FKM)	1	1004832 1035999
004	16852-ZJ1-850	TUBE B, FUEL	1	1004831
004	16852-ZJ1-850	TUBE B, FUEL	1	1004831
005	16882-ZJ1-840	TUBE, DIAPHRAGM	1	
006	16910-ZE8-015	STRAINER COMP., FUEL	1	

<u>Ref</u>	<u>Partnumber</u>	<u>Description</u>	<u>GX670U</u>	<u>Serial Numbers</u>
007	19111-MF5-000	GROMMET, RESERVE TANK	1	
008	90014-952-000	BOLT, FLANGE, 6X14 (CT200)	1	
009	90617-SA0-003	CLIP, WIRE HARNESS	1	
009	90617-SA0-003	CLIP, WIRE HARNESS	2	
010	91601-ZJ1-840	GROMMET, PUMP STAY	1	
011	93894-0601600	SCREW-WASHER, 6X16	2	
012	95002-02080	CLIP, TUBE (B8)	1	1004575
012	95002-02080	CLIP, TUBE (B8)	1	1004831
013	95002-02100	CLIP, TUBE (B10)	1	
013	95002-02100	CLIP, TUBE (B10)	1	1004576
013	95002-02100	CLIP, TUBE (B10)	1	1004832
013	95002-02100	CLIP, TUBE (B10)	3	1004831
014	95002-02080	CLIP, TUBE (B8)	1	1003297
014	95002-50000	CLIP, TUBE (C9)	1	1003296
014	95002-50000	CLIP, TUBE (C9)	1	1003296
015	95002-70000	CLIP, TUBE (C11)	1	1004575
015	95002-70000	CLIP, TUBE (C11)	1	1004831
016	95003-2501520	TUBE, VINYL, 9X11X150 (95003-25001-10M)	1	
017	95002-4080008	CLAMP, TUBE (D8)	1	
017	95002-4080008	CLAMP, TUBE (D8)	1	1004832
018	95002-4100008	CLAMP, TUBE (D10)	1	
018	95002-4100008	CLAMP, TUBE (D10)	1	1004832
019	95002-4085008	CLAMP, TUBE (D8.5)	1	1004576
019	95002-4085008	CLAMP, TUBE (D8.5)	1	1004832
020	95002-4100008	CLAMP, TUBE (D10)	1	1035450
020	95002-4100008	CLAMP, TUBE (D10)	1	1036000
020	95002-4105008	CLAMP, TUBE (D10.5)	1	1004576 1035449
020	95002-4105008	CLAMP, TUBE (D10.5)	1	1004832 1035999
021	16855-Z6C-851	TUBE COMP. B, FUEL (FKM)	1	1036000 1050818
021	16855-Z6C-851	TUBE COMP. B, FUEL (FKM)	1	1036000 1050818
021	16855-Z6C-852	TUBE COMP. B, FUEL (FKM)	1	1050819
021	16855-Z6C-852	TUBE COMP. B, FUEL (FKM)	1	1050819

GX670U(TXA2)

E-19 FLYWHEEL

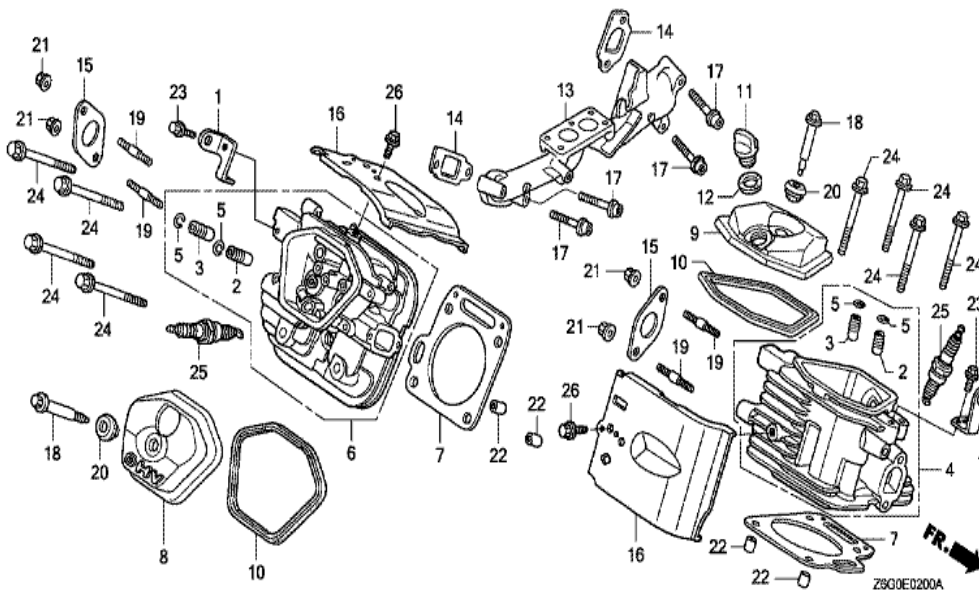


FR. →
Z63GE1900A

Ref	Partnumber	Description	GX670U	Serial Numbers
001	19511-ZJ1-000	FAN, COOLING	1	
002	19513-ZJ1-000	PLATE, COOLING FAN SETTING	1	
003	28452-ZJ1-811	GRID, SCREEN (P.T.O.)	(1)	
003	28452-ZJ1-811	GRID, SCREEN (P.T.O.)	(1)	
004	28454-ZJ1-801	HOLDER, SCREEN GRID	1	
004	28454-ZJ1-801	HOLDER, SCREEN GRID	(1)	
005	31110-ZJ1-840	FLYWHEEL COMP.	1	
006	90201-ZG3-000	NUT, FLANGE, 20MM	1	
007	90401-ZG3-000	WASHER, 20MM	1	
008	90741-ZE2-000	KEY, SPECIAL WOODRUFF, 25X18	1	
010	95701-0801600	BOLT, FLANGE, 8X16	3	

GX670U(TXA2)

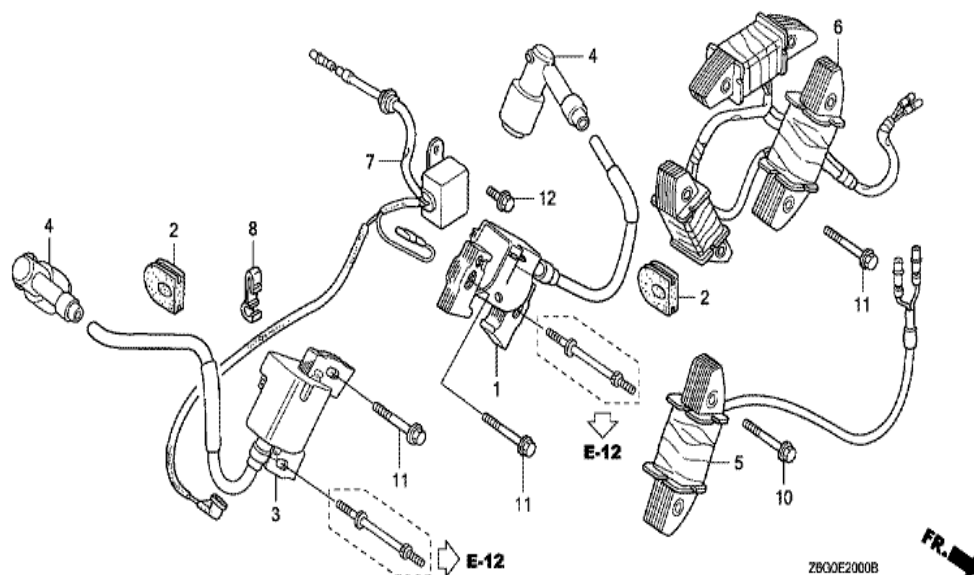
E-2 CYLINDER HEAD



Ref	Partnumber	Description	GX670U	Serial Numbers
001	11911-ZJ1-840	HANGER, ENGINE	1	
002	12204-ZE2-306	GUIDE, IN. VALVE (O.S.)	2	
002	12204-ZE2-306	GUIDE, IN. VALVE (O.S.)	2	
003	12205-ZJ1-405	GUIDE, EX. VALVE (O.S.)	2	
003	12205-ZJ1-405	GUIDE, EX. VALVE (O.S.)	2	
004	12210-ZJ1-406	HEAD COMP., CYLINDER (#1)	1	
005	12216-ZE2-300	CLIP, VALVE GUIDE	4	
006	12220-ZJ1-405	HEAD COMP., CYLINDER (#2)	1	
007	12251-ZJ1-841	GASKET, CYLINDER HEAD	2	
008	12311-ZJ1-840	COVER, HEAD	1	
009	12314-ZJ1-840	COVER, HEAD FILLER	1	
010	12391-ZE2-020	PACKING, HEAD COVER	2	
011	15611-MB0-000	CAP, OIL FILLER	1	

<u>Ref</u>	<u>Partnumber</u>	<u>Description</u>	<u>GX670U</u>	<u>Serial Numbers</u>
012	15625-ZJ1-840	PACKING, OIL FILLER CAP	1	
013	17101-ZN1-000	MANIFOLD, INTAKE	1	
014	17151-ZJ1-841	GASKET, INTAKE MANIFOLD	2	
015	18333-ZE3-800	GASKET, EX. PIPE	2	
016	19682-ZJ1-840	SHROUD, HEAD	2	
017	90011-ZJ1-841	BOLT, SOCKET, 8X45	4	
018	90014-ZE2-000	BOLT, HEAD COVER	2	
019	90018-ZJ1-840	BOLT, STUD, 8X22	4	
020	90441-ZE2-010	WASHER COMP., HEAD COVER	2	
021	94050-08000	NUT, FLANGE, 8MM	4	
022	94301-12200	DOWEL PIN, 12X20	4	
023	95701-0802000	BOLT, FLANGE, 8X20	2	
024	95701-1008000	BOLT, FLANGE, 10X80	8	
025	98079-52876	PLUG, SPARK (BPR2ES) (NGK)	2	
025	98079-52876	PLUG, SPARK (BPR2ES) (NGK)	(2)	
025	98079-5485V	PLUG, SPARK (J14CR-U) (DENSO)	(2)	
025	98079-5485V	PLUG, SPARK (J14CR-U) (DENSO)	(2)	
025	98079-5487V	PLUG, SPARK (ZGR4A)	(2)	
025	98079-5487V	PLUG, SPARK (ZGR4A)	(2)	
025	98079-5585V	PLUG, SPARK (J16CR-U) (DENSO)	2	
025	98079-5585V	PLUG, SPARK (J16CR-U) (DENSO)	2	
025	98079-5587V	PLUG, SPARK (ZGR5A)	2	
025	98079-5587V	PLUG, SPARK (ZGR5A)	2	
026	90014-952-000	BOLT, FLANGE, 6X14 (CT200)	2	

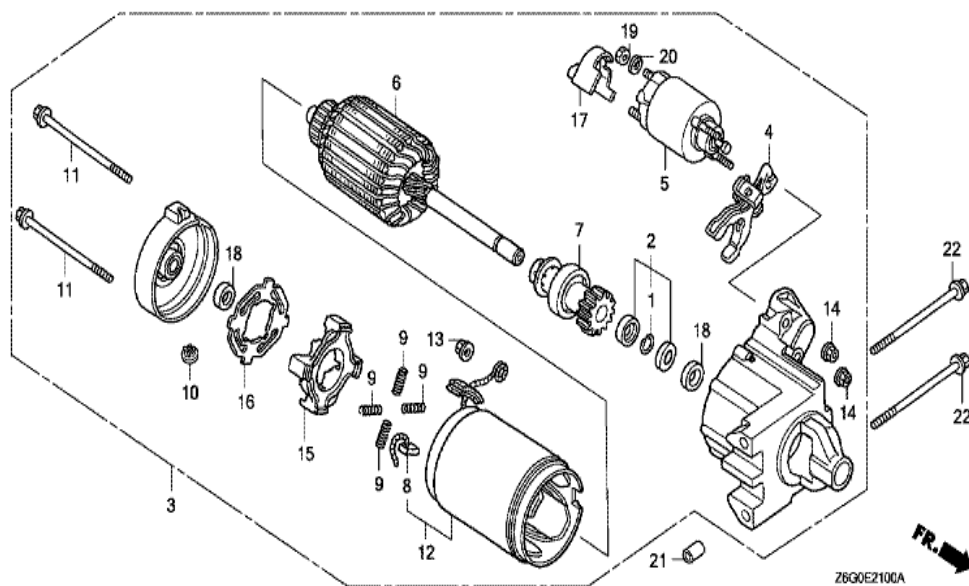
GX670U(TXA2)	E-20 IGNITION COIL
--------------	--------------------



<u>Ref</u>	<u>Partnumber</u>	<u>Description</u>	<u>GX670U</u>	<u>Serial Numbers</u>
001	30500-ZJ1-844	COIL ASSY., IGNITION (BLACK) (200MM)	1	1029312
001	30500-ZJ1-845	COIL ASSY., IGNITION (BLACK) (200MM)	1	
001	30500-ZJ1-845	COIL ASSY., IGNITION (BLACK) (200MM)	1	1029313
002	30518-ZJ1-000	GROMMET, HIGH TENSION CORD	2	
003	30550-ZJ1-844	COIL ASSY., IGNITION (GRAY) (215MM)	1	1029312
003	30550-ZJ1-845	COIL ASSY., IGNITION (GRAY) (215MM)	1	
003	30550-ZJ1-845	COIL ASSY., IGNITION (GRAY) (215MM)	1	1029313
004	30700-ZJ1-841	CAP ASSY., NOISE SUPPRESSOR	2	
006	31630-ZJ1-801	COIL ASSY., CHARGE (12V/20A)	1	1029336
006	31630-ZJ1-802	COIL ASSY., CHARGE (12V/20A)	1	
006	31630-ZJ1-802	COIL ASSY., CHARGE (12V/20A)	1	1029337
007	31740-ZJ1-861	DIODE ASSY., ENGINE STOP	1	1030929
007	31740-ZJ1-861	DIODE ASSY., ENGINE STOP	1	1030929
<u>Ref</u>	<u>Partnumber</u>	<u>Description</u>	<u>GX670U</u>	<u>Serial Numbers</u>
007	31740-ZJ1-862	DIODE ASSY., ENGINE STOP	1	1030930
007	31740-ZJ1-862	DIODE ASSY., ENGINE STOP	1	1030930
008	32763-PA0-000	CLAMP, CORD	1	
011	90031-ZE1-000	BOLT, FLANGE, 6X32	2	
011	90031-ZE1-000	BOLT, FLANGE, 6X32	8	
012	95701-0600800	BOLT, FLANGE, 6X8	1	

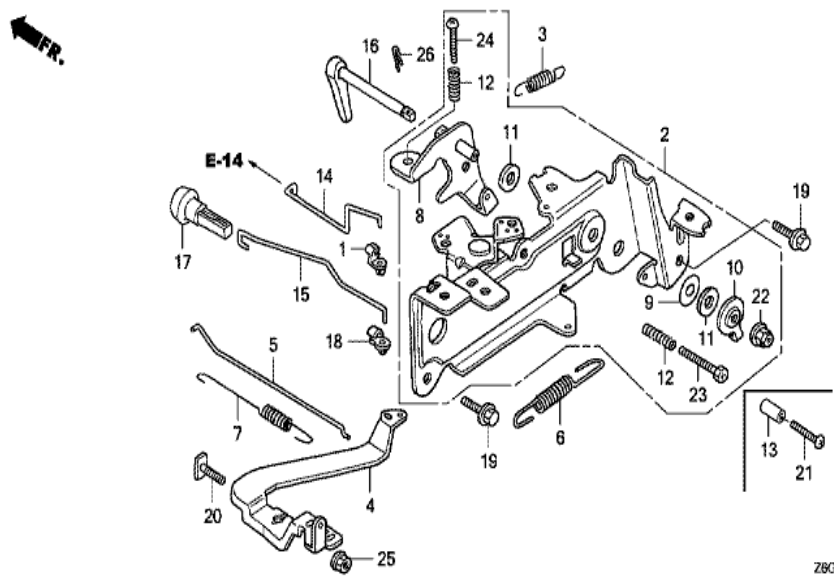
GX670U(TXA2)

E-21 STARTER MOTOR



Ref	Partnumber	Description	GX670U	Serial Numbers
001	30201-PH9-004	RING, SNAP (DENSO)	1	
002	30202-PZ1-003	COLLAR SET, CLUTCH STOP	1	
003	31200-ZJ1-841	MOTOR ASSY., STARTER	1	1031025
003	31200-ZJ1-842	MOTOR ASSY., STARTER	1	
003	31200-ZJ1-842	MOTOR ASSY., STARTER	1	1031026
004	31203-PH9-004	LEVER, PINION DRIVE	1	
005	31204-ZJ1-H01	SWITCH ASSY., MAGNET	1	1031025
005	31204-ZJ1-H02	SWITCH ASSY., MAGNET	1	
005	31204-ZJ1-H02	SWITCH ASSY., MAGNET	1	1031026
006	31206-ZG4-801	ARMATURE COMP.	1	
007	31207-ZJ1-H01	CLUTCH COMP., OVERRUNNING	1	
008	31211-PH9-004	BRUSH	4	
009	31212-PH9-004	SPRING, BRUSH	4	
Ref	Partnumber	Description	GX670U	Serial Numbers
010	31213-P64-N01	COVER	1	
011	31214-PH9-004	BOLT, THROUGH	2	
012	31218-P64-N01	YOKE COMP.	1	
012	31218-P64-N01	YOKE COMP.	1	
013	31220-PH9-004	NUT, HEX., 8MM	1	
014	31223-PA0-006	NUT, HEX.	2	
015	31231-PH9-004	HOLDER, BRUSH	1	
016	31233-PH9-004	INSULATOR, BRUSH HOLDER	1	
017	31234-ZJ1-H01	COVER, TERMINAL	1	1031025
017	31234-ZJ1-H02	COVER, TERMINAL	1	
017	31234-ZJ1-H02	COVER, TERMINAL	1	1031026
018	91002-ZG4-801	BEARING A	2	
019	94001-082000S	NUT, HEX., 8MM	1	
020	94111-08000	WASHER, SPRING, 8MM	1	
021	94301-10120	DOWEL PIN, 10X12	2	
022	95701-0811000	BOLT, FLANGE, 8X110	2	

GX670U(TXA2)	E-22 CONTROL (1)
--------------	------------------

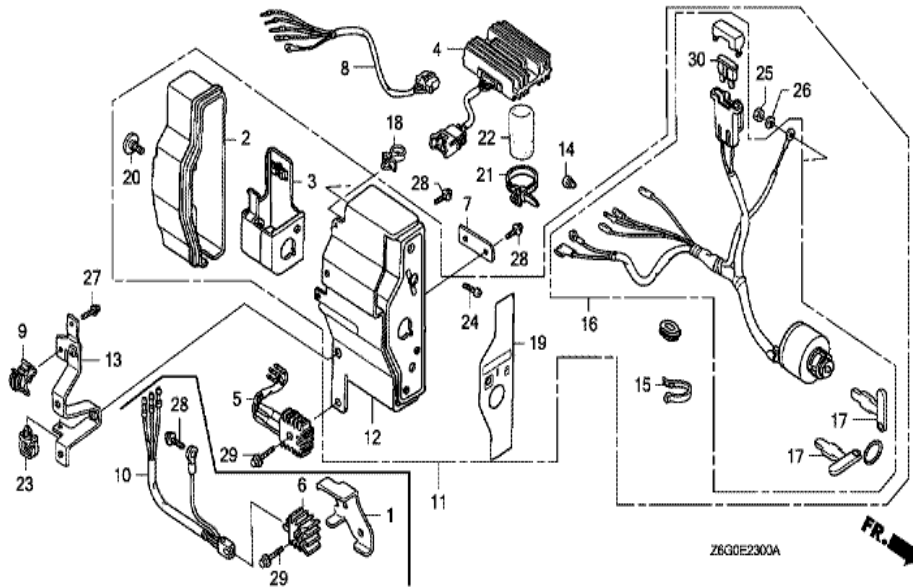


Z8G0E2200B

<u>Ref</u>	<u>Partnumber</u>	<u>Description</u>	<u>GX670U</u>	<u>Serial Numbers</u>
001	16263-883-W10	JOINT, ROD	1	
002	16500-ZJ1-851	CONTROL ASSY.	1	
003	16534-ZN1-000	SPRING, STARTER	1	1002449
003	16534-ZN1-010	SPRING, STARTER	1	
003	16534-ZN1-010	SPRING, STARTER	1	1002450
004	16551-ZJ1-840	ARM, GOVERNOR	1	
005	16555-ZN1-000	ROD, GOVERNOR	1	
006	16561-ZN1-800	SPRING, GOVERNOR (MANUAL)	1	
007	16562-ZN1-000	SPRING, THROTTLE RETURN	1	
008	16570-ZJ1-851	ARM COMP., CONTROL	1	
009	16574-883-300	SPRING, LEVER	1	
010	16575-ZJ1-850	WASHER, CONTROL ARM	1	
011	16576-883-300	SPACER, CONTROL LEVER	2	
<u>Ref</u>	<u>Partnumber</u>	<u>Description</u>	<u>GX670U</u>	<u>Serial Numbers</u>
012	16584-883-300	SPRING, CONTROL ADJUSTING	2	
014	16611-ZN1-000	ROD, CHOKE CONTROL	1	
015	16628-ZJ1-850	ROD, CHOKE KNOB	1	
016	17850-ZJ1-850	LEVER ASSY., THROTTLE	1	
017	17951-921-030	KNOB, CHOKE	1	
018	17957-ZV4-000	BUSH, LINKAGE	1	
019	90014-952-000	BOLT, FLANGE, 6X14 (CT200)	2	
020	90015-ZE3-790	BOLT, GOVERNOR ARM	1	
022	90114-SA0-000	NUT, SELF-LOCK, 6MM	1	
023	92301-050250A	BOLT, RECESSED, 5X25	1	
024	93500-050250A	SCREW, PAN, 5X25	1	
025	94050-06000	NUT, FLANGE, 6MM	1	
026	94251-10000	PIN, LOCK, 10MM	1	

GX670U(TXA2)

E-23 CONTROL BOX

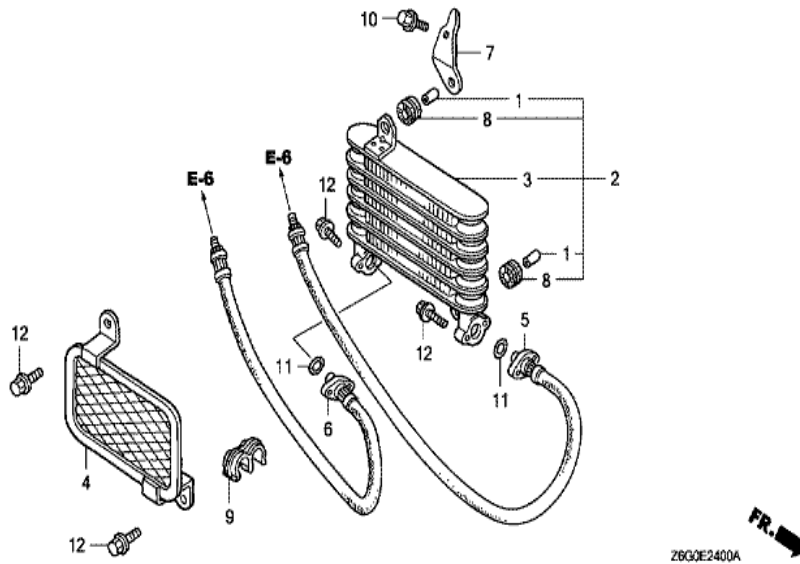


Ref	Partnumber	Description	GX670U	Serial Numbers
002	31612-ZE2-003	CASE, CONTROL	1	
003	31614-ZE2-003	BRACKET, CASE MOUNTING	1	
004	31620-ZG5-013	RECTIFIER ASSY., REGULATOR (20A)	1	1027940
004	31620-ZG5-023	RECTIFIER ASSY., REGULATOR (20A)	1	1027941
004	31620-ZG5-023	RECTIFIER ASSY., REGULATOR (20A)	1	1027941 1035999
004	31620-ZG5-033	RECTIFIER ASSY., REGULATOR (20A)	1	1036000
004	31620-ZG5-033	RECTIFIER ASSY., REGULATOR (20A)	1	1036000
007	32103-759-000	BRACKET, WIRE HARNESS CLIP	1	
008	32105-ZJ1-800	HARNESS ASSY., SUB WIRE	1	
009	32171-GJ1-003	CLIP, WIRE HARNESS	1	
011	32340-Z6D-831	BOX ASSY., CONTROL	1	
011	32340-Z6D-831	BOX ASSY., CONTROL	1	1033400
011	32340-Z6D-832	BOX ASSY., CONTROL	1	

<u>Ref</u>	<u>Partnumber</u>	<u>Description</u>	<u>GX670U</u>	<u>Serial Numbers</u>
011	32340-Z6D-832	BOX ASSY., CONTROL	1	1033401
012	32345-ZJ1-812	PANEL COMP., CONTROL	1	
013	32349-ZJ1-840	STAY, CONTROL BOX	1	
015	32902-892-003	BAND	1	
016	35100-ZJ1-841	SWITCH ASSY., COMBINATION	1	
016	35100-ZJ1-841	SWITCH ASSY., COMBINATION	1	1033400
016	35100-ZJ1-842	SWITCH ASSY., COMBINATION	1	
016	35100-ZJ1-842	SWITCH ASSY., COMBINATION	1	1033401
017	35111-880-013	KEY COMP. (HONDA LOCK)	2	
018	36103-ZE1-000	HOLDER, STOP SWITCH CORD	1	
019	87529-Z4S-820	MARK, CONTROL BOX (EXP)	1	
020	90380-MA6-010	SCREW, SPECIAL, 6X12	1	
021	90676-SA8-003	BAND, WIRE HARNESS, 150MM (BLUE)	1	
022	91408-ZJ1-810	TUBE, CORD, 30MM	1	
023	91504-750-003	CLIP, WIRE HARNESS (BLACK)	1	
024	93500-040120H	SCREW, PAN, 4X12	1	
025	94001-040800S	NUT, HEX., 4MM	1	1007300
025	94001-043900S	NUT, HEX., 4MM	1	
025	94001-043900S	NUT, HEX., 4MM	1	1007301
026	94111-04800	WASHER, SPRING, 4MM	1	
027	95701-0601000	BOLT, FLANGE, 6X10	1	
028	95701-0601200	BOLT, FLANGE, 6X12	2	
030	98200-32500	FUSE, BLADE (25A)	1	

GX670U(TXA2)

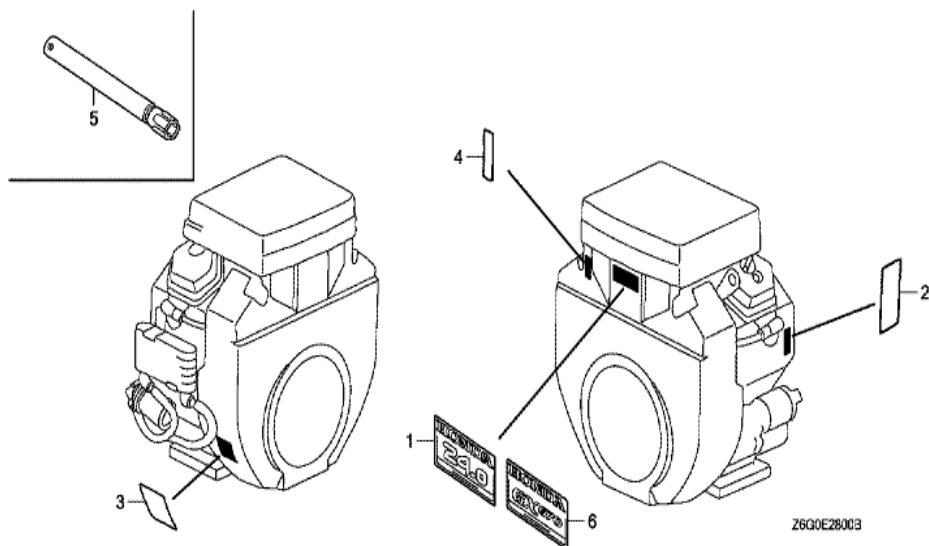
E-24 OIL COOLER



Z6G0E2400A

Ref	Partnumber	Description	GX670U	Serial Numbers
001	11513-MN5-300	COLLAR, 12MM	2	
002	15605-ZN1-000	COOLER ASSY., OIL	1	
003	15610-ZN1-000	COOLER COMP., OIL	1	
004	15613-ZN1-000	GRILLE, OIL COOLER	1	
005	15614-ZN1-003	HOSE A, OIL	1	
006	15616-ZN1-003	HOSE B, OIL	1	
007	15676-ZN1-000	STAY, OIL COOLER	1	
008	19051-KA3-830	RUBBER, RADIATOR MOUNTING	2	
009	19314-PH6-000	CLAMP, HOSE (D13.5)	1	
010	90014-952-000	BOLT, FLANGE, 6X14 (CT200)	1	
011	91314-ME5-003	O-RING, 10X2.6 (ARAI)	2	
012	95701-0602200	BOLT, FLANGE, 6X22	6	

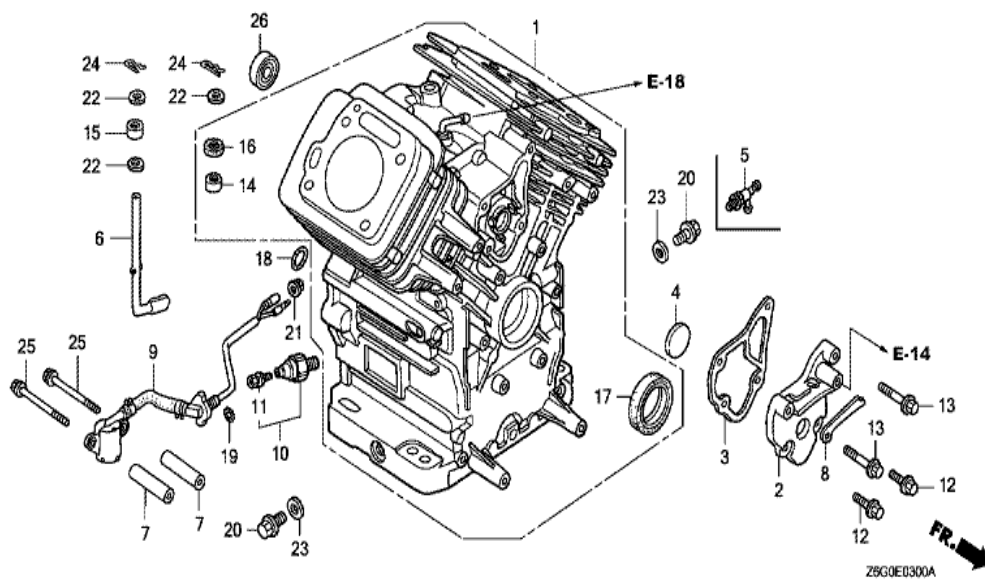
GX670U(TXA2)	E-28 LABEL/TOOL
--------------	-----------------



Z6G0E28003

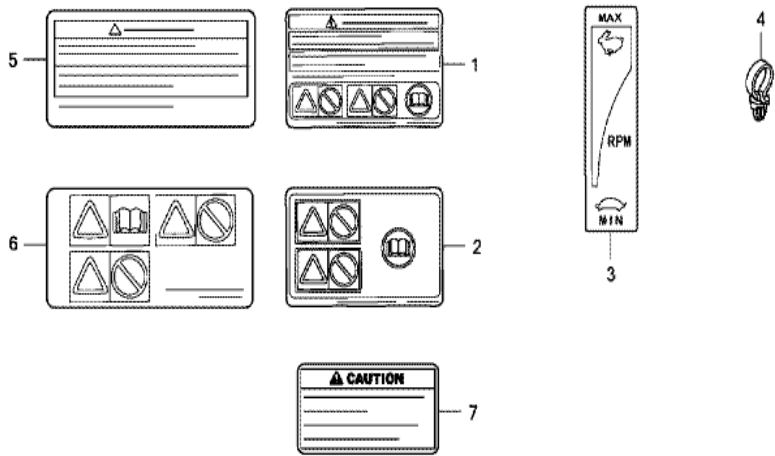
Ref	Partnumber	Description	GX670U	Serial Numbers
001	87101-ZN1-010	EMBLEM (24.0)	1	1029312
002	87152-ZN1-010	LABEL, SPECIFICATION (GX670)	1	
003	87516-ZH7-000	MARK, OPERATOR CAUTION (ENGLISH) (MADE I	1	
003	87516-ZH7-000	MARK, OPERATOR CAUTION (ENGLISH) (MADE I	1	1065166
003	87516-ZH7-010	MARK, OPERATOR CAUTION (ENGLISH) (MADE I	1	1065167
003	87516-ZH7-010	MARK, OPERATOR CAUTION (ENGLISH) (MADE I	1	1065167
003	87516-ZH7-810	MARK, OPERATOR CAUTION (PICTOGRAPH) (MAD	(1)	1065166
003	87516-ZH7-810	MARK, OPERATOR CAUTION (PICTOGRAPH) (MAD	(1)	1065166
004	87532-ZH7-800	MARK, THROTTLE INDICATION	1	
006	87101-ZN1-020	EMBLEM (GX670)	1	
006	87101-ZN1-020	EMBLEM (GX670)	1	1029313

GX670U(TXA2)	E-3 CYLINDER BARREL
--------------	---------------------



<u>Ref</u>	<u>Partnumber</u>	<u>Description</u>	<u>GX670U</u>	<u>Serial Numbers</u>
001	12000-ZN1-406	BARREL ASSY., CYLINDER	1	1037871
001	12000-ZN1-406	BARREL ASSY., CYLINDER	1	1037871
001	12000-ZN1-416	BARREL ASSY., CYLINDER	1	
001	12000-ZN1-416	BARREL ASSY., CYLINDER	1	1037872
002	12356-ZJ1-000	COVER, BREATHER	1	
003	12358-ZJ1-000	PACKING, BREATHER COVER	1	
004	12372-ZE2-300	VALVE, BREATHER	1	
005	15558-ZJ1-003	VALVE, OIL SHUT-OFF	(1)	
006	16541-ZJ1-840	SHAFT, GOVERNOR ARM	1	
007	25523-VD6-010	COLLAR, FILTER SETTING	2	
008	31511-ZJ1-000	CLAMPER, CORD	1	
009	35480-ZJ1-841	SWITCH ASSY., OIL LEVEL	1	
009	35480-ZJ1-841	SWITCH ASSY., OIL LEVEL	1	1033400
<u>Ref</u>	<u>Partnumber</u>	<u>Description</u>	<u>GX670U</u>	<u>Serial Numbers</u>
009	35480-ZJ1-842	SWITCH ASSY., OIL LEVEL	1	
009	35480-ZJ1-842	SWITCH ASSY., OIL LEVEL	1	1033401
012	90029-888-000	BOLT, FLANGE, 6X16 (CT200)	2	
013	90031-ZE1-000	BOLT, FLANGE, 6X32	2	
014	91001-ZJ1-841	BEARING, NEEDLE, 8X12.7X11.1	1	
015	91002-ZJ1-841	BEARING, NEEDLE, 8X12X10	1	
016	91201-ZE9-003	OIL SEAL, 8X14X5	1	
017	91201-ZJ1-841	OIL SEAL, 38X58X9	1	
018	91302-MB6-830	O-RING, 13X3.0	1	
019	91353-671-004	O-RING, 14MM (NOK)	1	
020	92800-14000	BOLT, DRAIN PLUG, 14MM	2	
021	94050-10000	NUT, FLANGE, 10MM	1	
022	94102-08800	WASHER, PLAIN, 8MM	3	
023	94109-14000	WASHER, DRAIN PLUG, 14MM	2	
024	94251-08000	PIN, LOCK, 8MM	2	
025	95701-0607509	BOLT, FLANGE, 6X75	2	
026	96140-6003010	BEARING, RADIAL BALL, 6003	1	

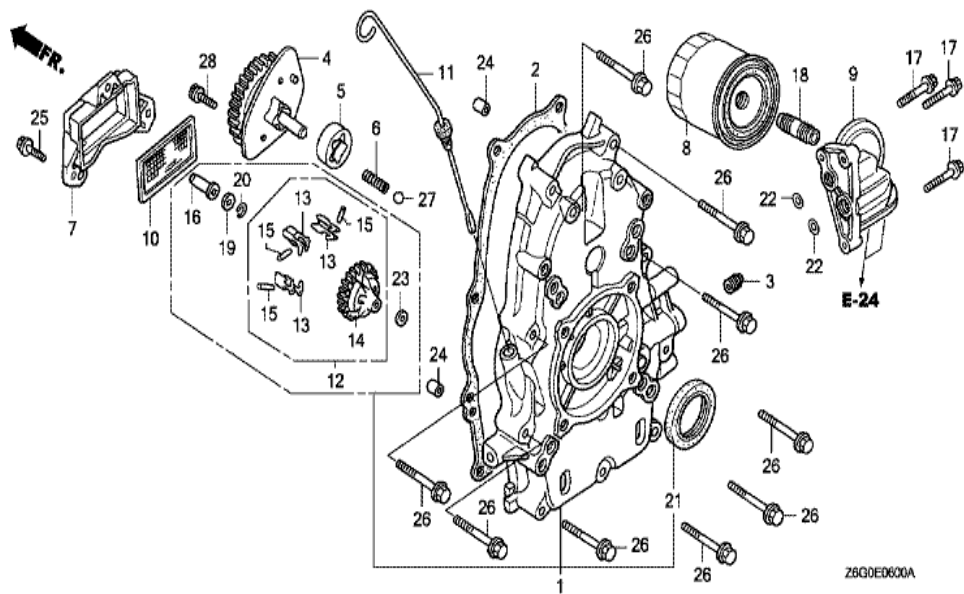
GX670U(TXA2)	E-40 OTHER PARTS (LABEL)
--------------	--------------------------



Z5G0E40006

Ref	Partnumber	Description	GX670U	Serial Numbers
001	87516-ZH7-800	MARK, OPERATOR CAUTION (FRENCH) (MADE IN	1	1065166
001	87516-ZH7-800	MARK, OPERATOR CAUTION (FRENCH) (MADE IN	1	1065166
005	87516-ZH7-801	MARK, OPERATOR CAUTION (FRENCH) (MADE IN	1	1065167
005	87516-ZH7-801	MARK, OPERATOR CAUTION (FRENCH) (MADE IN	1	1065167
006	87519-ZH7-000	MARK, OPERATOR CAUTION (PICTOGRAPH)	1	
006	87519-ZH7-000	MARK, OPERATOR CAUTION (PICTOGRAPH)	1	1065167

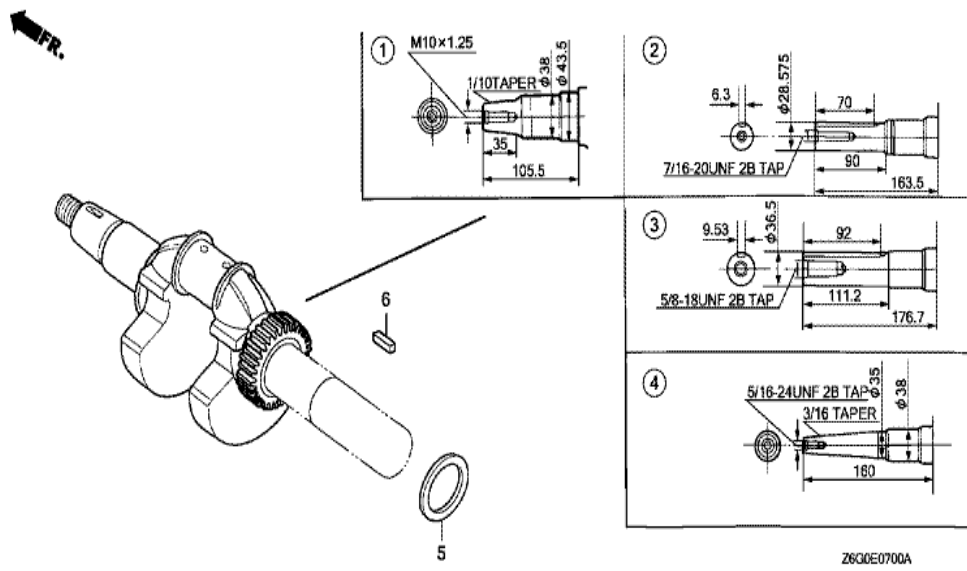
GX670U(TXA2)	E-6 CRANKCASE COVER
--------------	---------------------



Ref	Partnumber	Description	GX670U	Serial Numbers
001	11300-ZJ1-842	COVER ASSY., CRANKCASE	1	1008165
001	11300-ZJ1-843	COVER ASSY., CRANKCASE	1	
001	11300-ZJ1-843	COVER ASSY., CRANKCASE	1	1008166
002	11381-ZJ1-840	GASKET, CASE COVER	1	
003	12105-ZA0-701	BOLT, SEALING	1	
004	15120-ZJ1-000	COVER ASSY., OIL PUMP (TWO BOLTS)	1	1008165
004	15120-ZJ1-010	COVER ASSY., OIL PUMP (THREE BOLTS)	1	
004	15120-ZJ1-010	COVER ASSY., OIL PUMP (THREE BOLTS)	1	1008166
005	15124-ZJ1-003	ROTOR, OIL PUMP OUTER	1	
006	15232-ZJ1-000	SPRING, RELIEF VALVE	1	
007	15348-ZJ1-840	COVER, OIL FILTER	1	
008	15400-ZJ1-004	CARTRIDGE, OIL FILTER (TOYO ROKI)	1	
009	15411-ZN1-000	BASE, OIL FILTER	1	

<u>Ref</u>	<u>Partnumber</u>	<u>Description</u>	<u>GX670U</u>	<u>Serial Numbers</u>
010	15427-ZJ1-000	SCREEN, OIL FILTER	1	
011	15655-ZJ1-861	GAUGE COMP., OIL LEVEL	1	
012	16510-ZJ1-840	GOVERNOR ASSY.	1	
013	16511-ZJ1-840	WEIGHT, GOVERNOR	3	
014	16512-ZJ1-840	HOLDER, GOVERNOR WEIGHT	1	
015	16513-ZE2-000	PIN, GOVERNOR WEIGHT	3	
016	16531-Z0A-000	SLIDER, GOVERNOR	1	
017	90015-883-000	BOLT, FLANGE, 6X28 (CT200)	3	
018	90018-PN3-000	HOLDER, OIL FILTER	1	
019	90473-147-000	WASHER, 6X16	1	
020	90602-ZE1-000	CLIP, GOVERNOR HOLDER	1	
021	91202-ZJ1-841	OIL SEAL, 38X58X9	1	
022	91302-ZE9-003	O-RING, 11.8X2.4	2	
023	94101-06800	WASHER, PLAIN, 6MM	1	
024	94301-08140	DOWEL PIN, 8X14	2	
025	95701-0602000	BOLT, FLANGE, 6X20	3	
026	95701-0805000	BOLT, FLANGE, 8X50	9	
027	96211-12000	BALL, STEEL, #12 (3/8)	1	
028	96600-0601600	BOLT, SOCKET, 6X16	2	1008165
028	96600-0601600	BOLT, SOCKET, 6X16	3	
028	96600-0601600	BOLT, SOCKET, 6X16	3	1008166

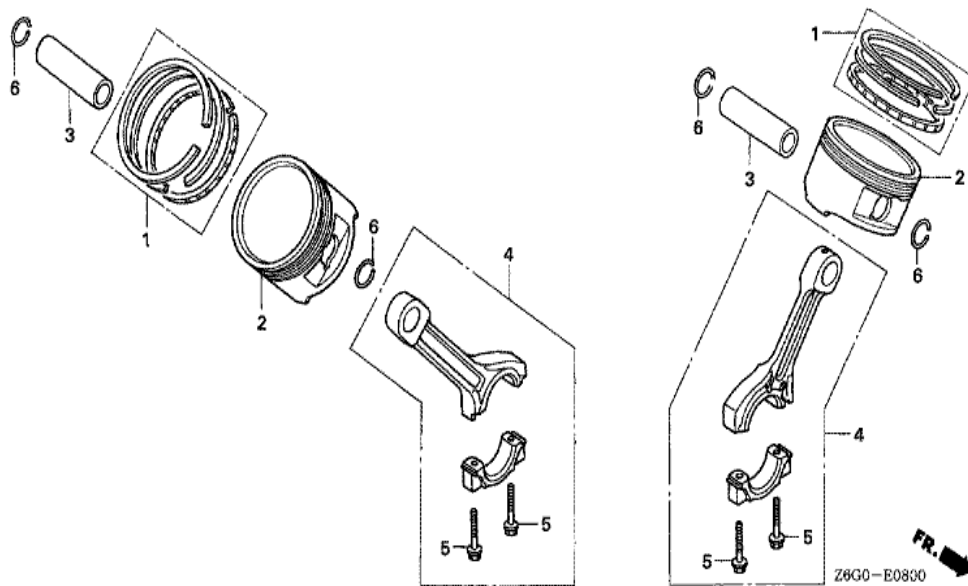
GX670U(TXA2)	E-7 CRANKSHAFT
--------------	----------------



Z6G0E0700A

Ref	Partnumber	Description	GX670U	Serial Numbers
002	13310-ZN1-000	CRANKSHAFT COMP.	1	
005	90401-ZJ1-000	WASHER, CRANKSHAFT THRUST (38.5X54.0X1.0)	1	

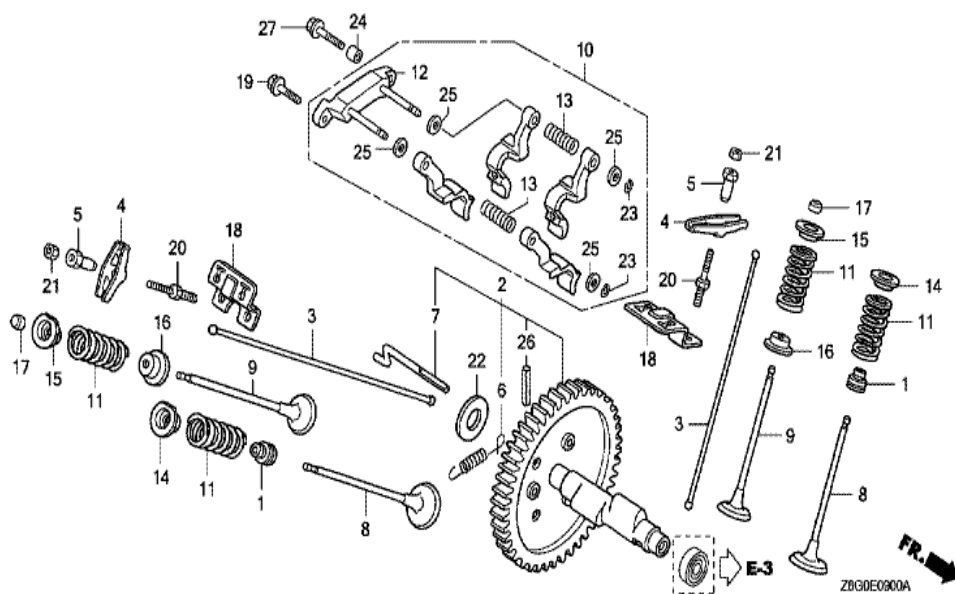
GX670U(TXA2)	E-8 PISTON/CONNECTING ROD
--------------	---------------------------



Ref	Partnumber	Description	GX670U	Serial Numbers
001	13010-Z5H-004	RING SET, PISTON (STD.) (TPR)	2	1037872
001	13010-ZJ1-841	RING SET, PISTON (STD.) (NIPPON)	2	1037871
001	13010-ZJ1-841	RING SET, PISTON (STD.) (NIPPON)	2	1037871
001	13011-Z5H-004	RING SET, PISTON (0.25) (TPR)	(2)	1037872
001	13011-Z5H-004	RING SET, PISTON (0.25) (TPR)	(2)	1037872
001	13011-ZJ1-841	RING SET, PISTON (0.25) (NIPPON)	(2)	1037871
001	13011-ZJ1-841	RING SET, PISTON (0.25) (NIPPON)	(2)	1037871
001	13012-Z5H-004	RING SET, PISTON (0.50) (TPR)	(2)	1037872
001	13012-Z5H-004	RING SET, PISTON (0.50) (TPR)	(2)	1037872
001	13012-ZJ1-841	RING SET, PISTON (0.50) (NIPPON)	(2)	1037871
001	13012-ZJ1-841	RING SET, PISTON (0.50) (NIPPON)	(2)	1037871
001	13013-Z5H-004	RING SET, PISTON (0.75) (TPR)	(2)	1037872
001	13013-Z5H-004	RING SET, PISTON (0.75) (TPR)	(2)	1037872

<u>Ref</u>	<u>Partnumber</u>	<u>Description</u>	<u>GX670U</u>	<u>Serial Numbers</u>
001	13013-ZJ1-841	RING SET, PISTON (0.75) (NIPPON)	(2)	1037871
001	13013-ZJ1-841	RING SET, PISTON (0.75) (NIPPON)	(2)	1037871
002	13101-ZN1-000	PISTON (STD.)	2	1037871
002	13101-ZN1-010	PISTON (STD.)	2	
002	13101-ZN1-010	PISTON (STD.)	2	1037872
002	13102-ZN1-000	PISTON (0.25)	(2)	1037871
002	13102-ZN1-000	PISTON (0.25)	(2)	1037871
002	13102-ZN1-010	PISTON (0.25)	(2)	1037872
002	13102-ZN1-010	PISTON (0.25)	(2)	1037872
002	13103-ZN1-000	PISTON (0.50)	(2)	1037871
002	13103-ZN1-000	PISTON (0.50)	(2)	1037871
002	13103-ZN1-010	PISTON (0.50)	(2)	1037872
002	13103-ZN1-010	PISTON (0.50)	(2)	1037872
002	13104-ZN1-000	PISTON (0.75)	(2)	1037871
002	13104-ZN1-000	PISTON (0.75)	(2)	1037871
002	13104-ZN1-010	PISTON (0.75)	(2)	1037872
002	13104-ZN1-010	PISTON (0.75)	(2)	1037872
003	13111-ZJ1-840	PIN, PISTON	2	
004	13200-ZN1-003	ROD ASSY., CONNECTING	2	
005	90001-ZN1-000	BOLT, CONNECTING ROD, 6X37	4	
006	90551-ZE1-000	CLIP, PISTON PIN, 18MM	4	

GX670U(TXA2)	E-9 CAMSHAFT
--------------	--------------



Ref	Partnumber	Description	GX670U	Serial Numbers
001	12209-ZE8-003	SEAL, VALVE STEM	2	
002	14100-ZJ1-842	CAMSHAFT ASSY.	1	
002	14100-ZJ1-842	CAMSHAFT ASSY.	1	
003	14410-ZJ1-840	ROD, PUSH	4	
004	14431-ZE2-010	ARM, VALVE ROCKER	4	
005	14451-ZE1-013	PIVOT, ROCKER ARM	4	
006	14568-ZJ1-841	SPRING, WEIGHT RETURN	1	
006	14568-ZJ1-841	SPRING, WEIGHT RETURN	1	
007	14576-ZJ1-840	PIN, DECOMPER	1	
008	14711-ZE3-000	VALVE, IN.	2	
009	14721-ZE3-000	VALVE, EX.	2	
010	14730-ZJ1-841	LIFTER ASSY., VALVE	1	
010	14730-ZJ1-841	LIFTER ASSY., VALVE	1	1037805

<u>Ref</u>	<u>Partnumber</u>	<u>Description</u>	<u>GX670U</u>	<u>Serial Numbers</u>
010	14730-ZJ1-842	LIFTER ASSY., VALVE	1	1037806
010	14730-ZJ1-842	LIFTER ASSY., VALVE	1	1037806
011	14751-ZE2-003	SPRING, VALVE	4	
012	14760-ZJ1-840	SHAFT COMP., VALVE LIFTER	1	
013	14764-ZJ1-840	SPRING, VALVE LIFTER	2	
014	14771-ZE2-000	RETAINER, IN. VALVE SPRING	2	
015	14773-ZE2-000	RETAINER, EX. VALVE SPRING	2	
016	14775-ZE2-010	SEAT, VALVE SPRING	2	
017	14781-ZE2-000	ROTATOR, VALVE	2	
018	14791-ZE2-010	GUIDE, PUSH ROD	2	
019	90005-896-000	BOLT, FLANGE, 5X16	1	
020	90012-ZE0-010	BOLT, PIVOT, 8MM	4	
021	90206-ZE1-000	NUT, PIVOT ADJUSTING	4	
022	90446-357-000	WASHER, THRUST, 17.2MM	1	
023	90602-ZE1-000	CLIP, GOVERNOR HOLDER	2	
024	90702-GB6-910	DOWEL PIN, 8X12	1	
025	94101-06800	WASHER, PLAIN, 6MM	4	
026	94305-60282	PIN, SPRING, 6X28	1	
027	95701-0602500	BOLT, FLANGE, 6X25	1	