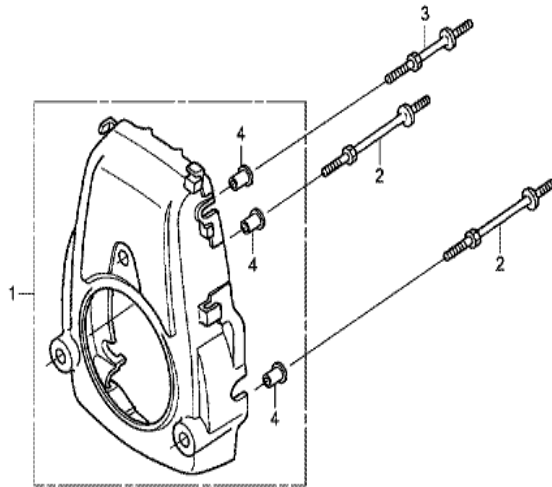


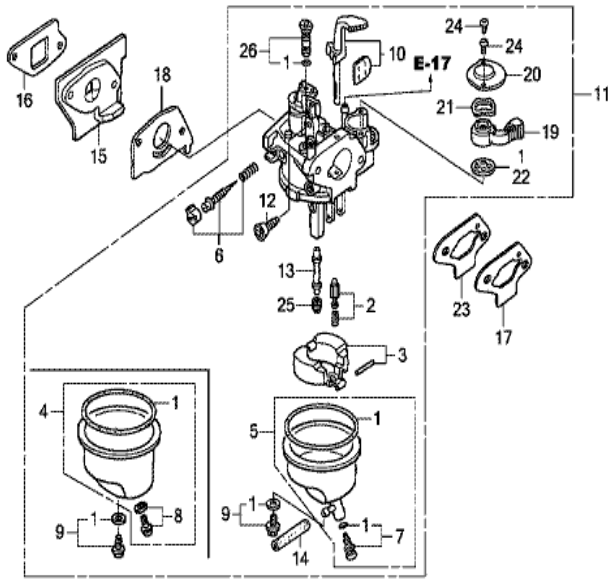
Z4CDE1100A

<u>Ref</u>	<u>Partnumber</u>	<u>Description</u>	<u>GXH50U</u>	<u>Serial Numbers</u>
001	28400-ZM7-003	STARTER ASSY., RECOIL	1	
002	28404-968-004	SPRING, FRICTION	1	
003	28414-ZM7-003	CASE, RECOIL STARTER	1	
003	28414-ZM7-003	CASE, RECOIL STARTER	1	
004	28421-ZM7-003	REEL, RECOIL STARTER	1	
005	28433-ZM3-003	GUIDE, ROPE	1	
006	28442-ZL8-003	SPRING, RECOIL STARTER	1	
007	28451-ZM7-003	PULLEY, RECOIL STARTER	1	
008	28459-ZM7-003	ARM, SWING	2	
010	28461-ZM3-003	KNOB, RECOIL STARTER	1	
011	28462-ZM7-003	ROPE, RECOIL STARTER	1	
011	28462-ZM7-003	ROPE, RECOIL STARTER	1	
012	90012-ZM3-003	SCREW, SETTING	1	
<u>Ref</u>	<u>Partnumber</u>	<u>Description</u>	<u>GXH50U</u>	<u>Serial Numbers</u>
013	91504-ZM7-003	COLLAR	1	
014	94050-05000	NUT, FLANGE, 5MM	3	



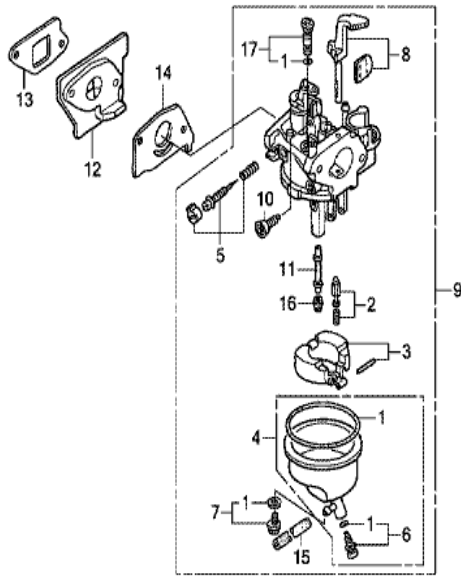
Z4C0E1200A

Ref	Partnumber	Description	GXH50U	Serial Numbers
001	19610-ZM7-000ZD	COVER COMP., FAN *NH1 *	1	
001	19610-ZM7-000ZD	COVER COMP., FAN *NH1 *	1	
002	90042-ZM7-000	BOLT A, STUD	2	
003	90043-ZM7-000	BOLT B, STUD	1	
004	19619-ZM7-300	COLLAR, FAN COVER	3	



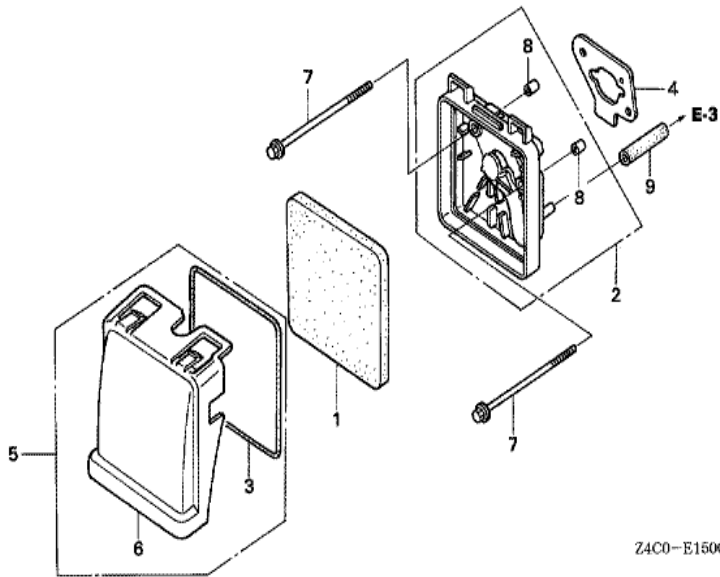
Z4C0E1400A

Ref	Partnumber	Description	GXH50U	Serial Numbers
016	16212-ZM7-000	PACKING, INSULATOR	1	



Z4C0E1401A

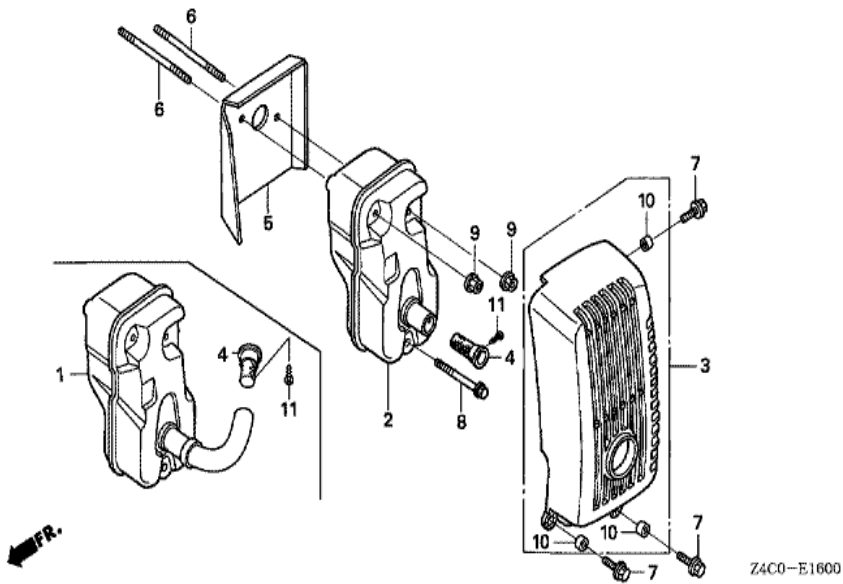
<u>Ref</u>	<u>Partnumber</u>	<u>Description</u>	<u>GXH50U</u>	<u>Serial Numbers</u>
001	16010-ZM7-D01	GASKET SET	1	
002	16011-ZE0-005	VALVE SET, FLOAT	1	
003	16013-ZG0-811	FLOAT SET	1	
004	16015-ZM7-003	CHAMBER SET, FLOAT	1	
005	16016-ZH7-W01	SCREW SET, PILOT	1	
006	16024-ZB9-005	SCREW SET, DRAIN	1	
007	16028-ZG0-811	SCREW SET	1	
008	16044-Z0D-003	CHOKE SET	1	BF31H A
008	16044-ZM7-801	CHOKE SET	1	BF31H B
009	16100-Z4C-821	CARBURETOR ASSY. (BF31M A)	1	1139698
009	16100-ZM7-U31	CARBURETOR ASSY. (BF31H A/B)	1	1139697
010	16124-ZE0-005	SCREW, THROTTLE STOP	1	
011	16166-ZN4-801	NOZZLE, MAIN	1	
<u>Ref</u>	<u>Partnumber</u>	<u>Description</u>	<u>GXH50U</u>	<u>Serial Numbers</u>
012	16211-ZM7-000	INSULATOR, CARBURETOR	1	
013	16212-ZM7-000	PACKING, INSULATOR	1	
014	16221-ZG0-801	PACKING, CARBURETOR	1	
015	95003-0502031	TUBE, VINYL, 3.5X6.5X200 (95003-05001-60	1	
016	99101-ZG00480	JET, MAIN, #48	(1)	
016	99101-ZG00500	JET, MAIN, #50	(1)	
016	99101-ZG00500	JET, MAIN, #50	(1)	
016	99101-ZG00520	JET, MAIN, #52	1	
016	99101-ZG00520	JET, MAIN, #52	1	
017	99204-ZE20350	JET SET, PILOT, #35	1	



Z4C0-E1500

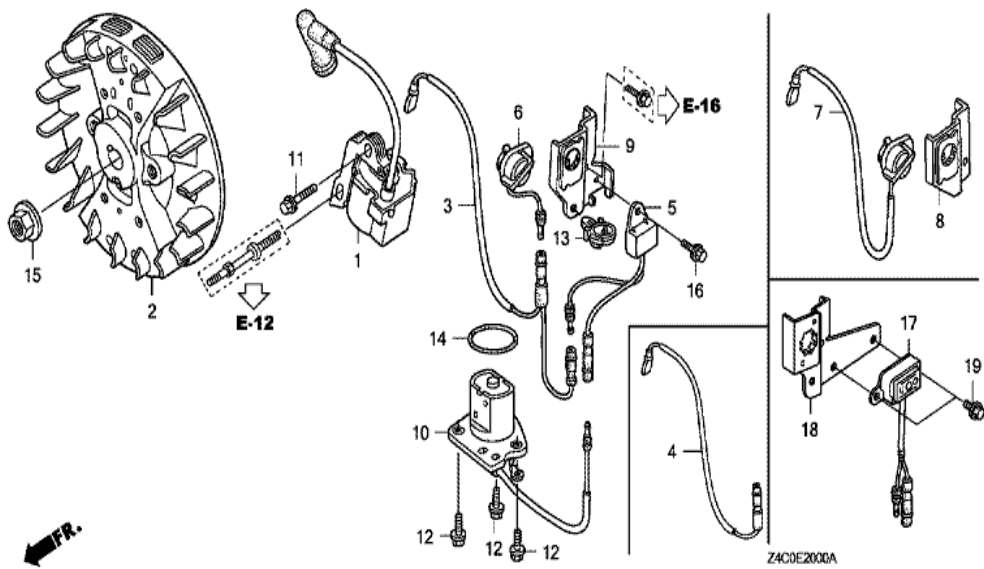


Ref	Partnumber	Description	GXH50U	Serial Numbers
001	17211-ZM7-000	ELEMENT, AIR CLEANER	1	
002	17220-ZM7-000	CASE COMP., AIR CLEANER	1	
003	17227-ZM7-000	SEAL, AIR CLEANER	1	
004	17228-ZM7-000	PACKING, AIR CLEANER	1	
004	17228-ZM7-000	PACKING, AIR CLEANER	1	
005	17230-ZM7-000	COVER COMP., AIR CLEANER	1	1091752
005	17230-ZM7-010	COVER COMP., AIR CLEANER	1	1091753
006	17231-ZM7-000	COVER, AIR CLEANER	1	
007	90004-ZM7-000	BOLT, FLANGE, 5X75	2	
008	91503-ZM7-000	COLLAR, AIR CLEANER	2	
009	95005-7007530	TUBE, 7X75 (95005-70001-30M)	1	

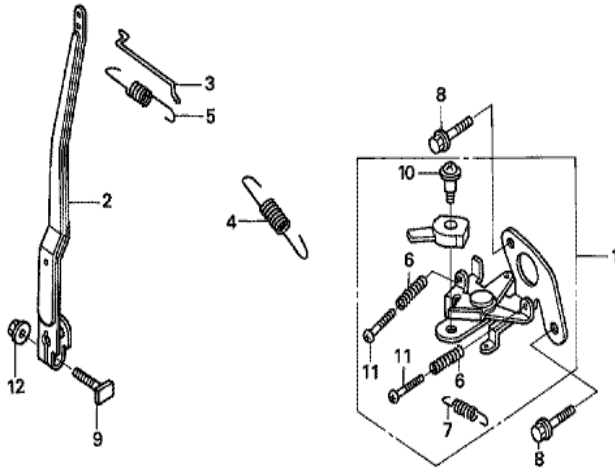


Z4C0-E1600

Ref	Partnumber	Description	GXH50U	Serial Numbers
001	18310-ZM7-V41	MUFFLER COMP.	(1)	
001	18310-ZM7-V41	MUFFLER COMP.	(1)	
002	18310-ZM7-801	MUFFLER COMP.	(1)	
002	18310-ZM7-801	MUFFLER COMP.	(1)	
004	18350-ZM7-801	ARRESTER COMP., SPARK	1	
004	18350-ZM7-801	ARRESTER COMP., SPARK	(1)	
011	93903-24110	SCREW, TAPPING, 4X8	1	
011	93903-24110	SCREW, TAPPING, 4X8	(1)	



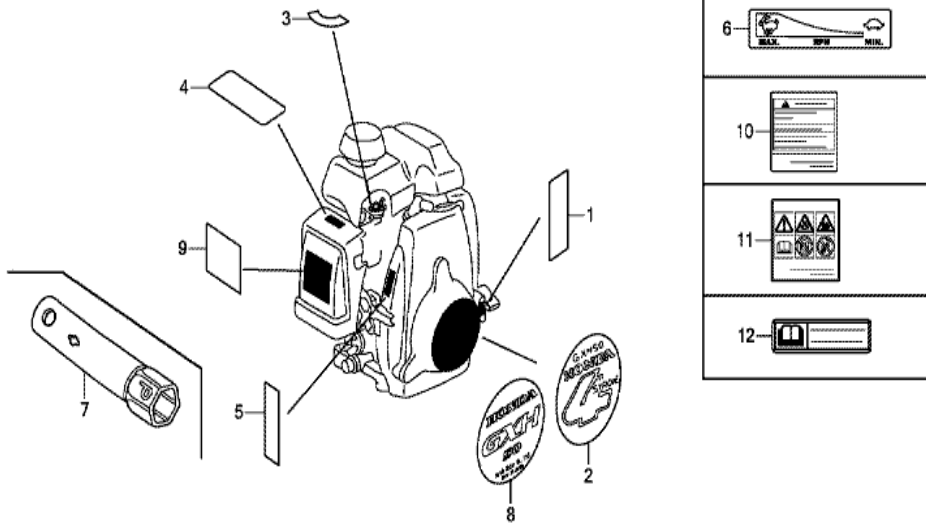
Ref	Partnumber	Description	GXH50U	Serial Numbers
001	30500-ZM7-004	COIL ASSY., IGNITION	1	1048869
001	30500-ZM7-014	COIL ASSY., IGNITION	1	
001	30500-ZM7-014	COIL ASSY., IGNITION	1	1048870
002	31110-ZM7-004	FLYWHEEL COMP.	1	
004	32195-ZN4-000	CORD, STOP SWITCH	1	
010	35480-ZM7-801	SWITCH ASSY., OIL LEVEL	1	
010	35480-ZM7-801	SWITCH ASSY., OIL LEVEL	1	1054973
010	35480-ZM7-802	SWITCH ASSY., OIL LEVEL	1	1054974
010	35480-ZM7-802	SWITCH ASSY., OIL LEVEL	1	1054974
011	90004-ZC3-000	BOLT, FLANGE, 5X20	1	
012	90012-896-750	BOLT, FLANGE, 5X14	3	
014	91301-ZM7-003	O-RING, 34.6X2.5	1	
015	94050-10000	NUT, FLANGE, 10MM	1	



Z4C0-E2201

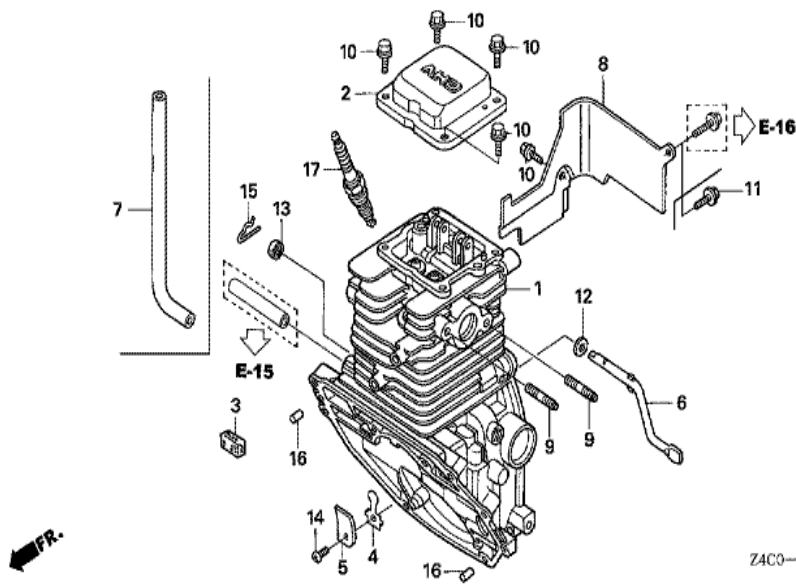
FR. →

Ref	Partnumber	Description	GXH50U	Serial Numbers
001	16500-ZM7-U10	CONTROL ASSY.	1	
002	16551-ZM7-000	ARM, GOVERNOR	1	
003	16555-ZM7-000	ROD, GOVERNOR	1	
004	16561-ZM7-U10	SPRING, GOVERNOR	1	
005	16562-ZM7-000	SPRING, THROTTLE RETURN	1	
006	16571-836-000	SPRING, CONTROL ADJUSTING	2	
007	16592-ZG0-000	SPRING, CABLE RETURN	1	
008	90003-892-000	BOLT, FLANGE, 5X12	2	
009	90015-ZE5-010	BOLT, GOVERNOR ARM	1	
010	90141-KT8-000	SCREW, PAN, 5X19	1	
011	93500-040200H	SCREW, PAN, 4X20	2	
012	94050-06000	NUT, FLANGE, 6MM	1	



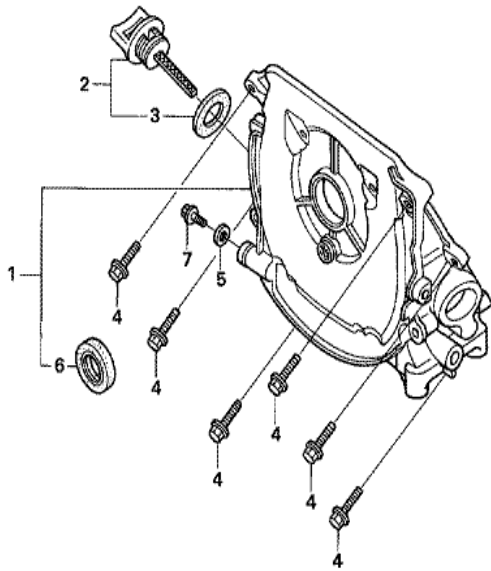
Z4C0E2800D

Ref	Partnumber	Description	GXH50U	Serial Numbers
007	89216-130-690	WRENCH, SPARK PLUG	1	
009	87519-Z4C-000	MARK, OPERATOR CAUTION (PICTOGRAPH)	1	1093387
009	87519-Z4C-000	MARK, OPERATOR CAUTION (PICTOGRAPH)	1	1093387
010	87516-Z4C-000	MARK, OPERATOR CAUTION (ENGLISH)	1	
010	87516-Z4C-000	MARK, OPERATOR CAUTION (ENGLISH)	1	1092753
010	87516-Z4C-800	MARK, OPERATOR CAUTION (FRENCH)	1	1092753
010	87516-Z4C-800	MARK, OPERATOR CAUTION (FRENCH)	1	1092753



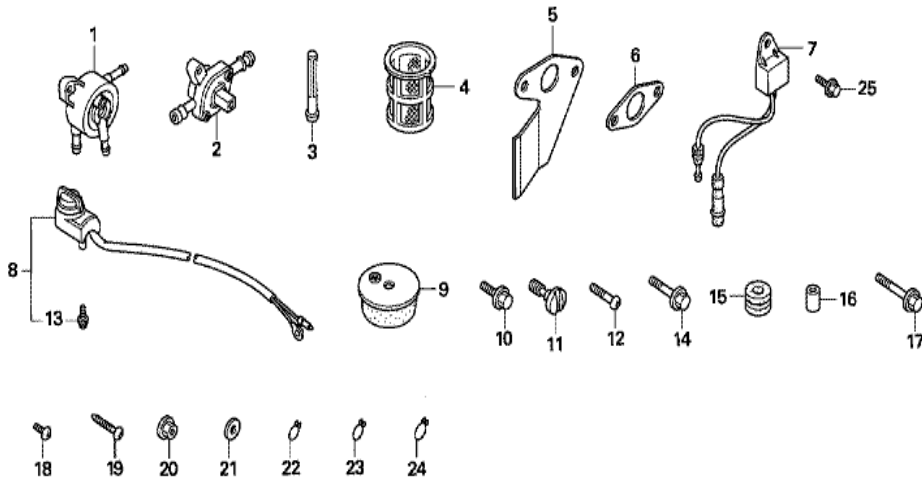
Z4C3-E0300

<u>Ref</u>	<u>Partnumber</u>	<u>Description</u>	<u>GXH50U</u>	<u>Serial Numbers</u>
001	12100-ZM7-416	BARREL COMP., CYLINDER	1	1122934
001	12100-ZM7-426	BARREL COMP., CYLINDER	1	1122935
001	12100-ZM7-426	BARREL COMP., CYLINDER	1	1122935
002	12311-ZM7-010	COVER, HEAD	1	
003	12367-ZE6-010	FILTER, BREATHER	1	1117213
003	12367-ZM7-000	FILTER, BREATHER	1	1117214
004	15571-ZM7-003	VALVE, OIL OUTLET	1	
005	15572-ZM7-000	PLATE, STOPPER	1	
006	16541-ZM7-000	SHAFT, GOVERNOR ARM	1	
007	16882-ZM7-U10	TUBE, DIAPHRAGM	1	
008	19630-ZM7-U10	SHROUD COMP.	1	
009	90002-ZM7-U10	BOLT, STUD, 5X14	2	
010	90003-892-000	BOLT, FLANGE, 5X12	5	
<u>Ref</u>	<u>Partnumber</u>	<u>Description</u>	<u>GXH50U</u>	<u>Serial Numbers</u>
011	90003-892-000	BOLT, FLANGE, 5X12	1	
012	90443-ZC3-000	WASHER, 5.2X9	1	
013	91231-ZC3-003	OIL SEAL, 5X11X5	1	
014	93500-030050A	SCREW, PAN, 3X5	1	
015	94251-06000	PIN, LOCK, 6MM	1	
016	91101-ZOG-003	ROLLER, 6X14.8	2	
016	96220-60150	ROLLER, 6X15	2	
017	98056-54750	PLUG, SPARK (U14FS-UB) (DENSO)	(1)	
017	98056-54757	PLUG, SPARK (U14FSR-UB)	(1)	
017	98056-54757	PLUG, SPARK (U14FSR-UB)	1	
017	98056-54770	PLUG, SPARK (C4HSB) (NGK)	(1)	
017	98056-54770	PLUG, SPARK (C4HSB) (NGK)	(1)	
017	98056-54777	PLUG, SPARK (CR4HSB)	(1)	
017	98056-54777	PLUG, SPARK (CR4HSB)	1	



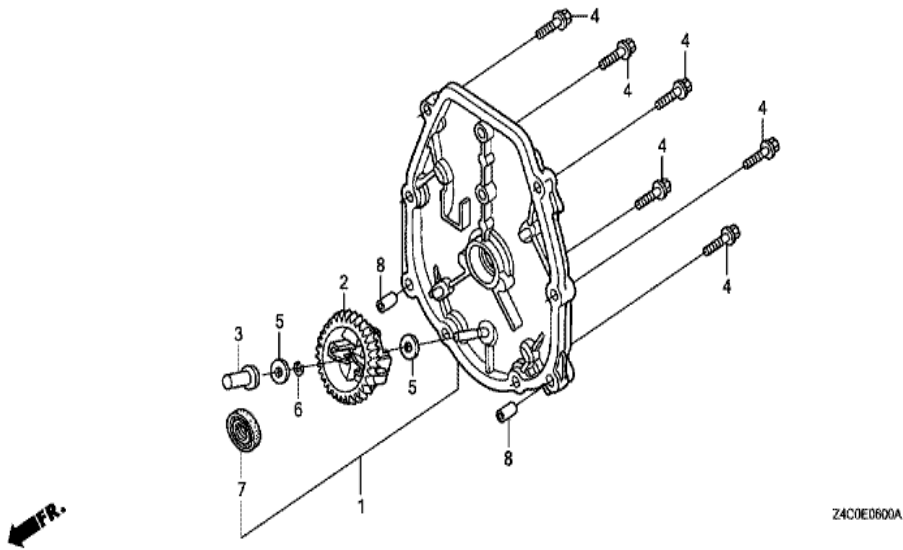
Z4C0-E0310

Ref	Partnumber	Description	GXH50U	Serial Numbers
001	11300-ZM7-406	CASE ASSY., OIL	1	1117213
001	11300-ZM7-407	CASE ASSY., OIL	1	
001	11300-ZM7-417	CASE ASSY., OIL	1	1117214
002	15600-ZM7-003	CAP ASSY., OIL FILLER	1	
003	15625-ZE1-003	PACKING, OIL FILLER CAP	1	
004	90006-ZM7-000	BOLT, FLANGE, 5X23	8	
005	90471-580-000	PACKING, 8MM	1	
006	91202-HC5-003	OIL SEAL, 17X27X5 (ARAI)	1	
007	95701-0801208	BOLT, FLANGE, 8X12	1	

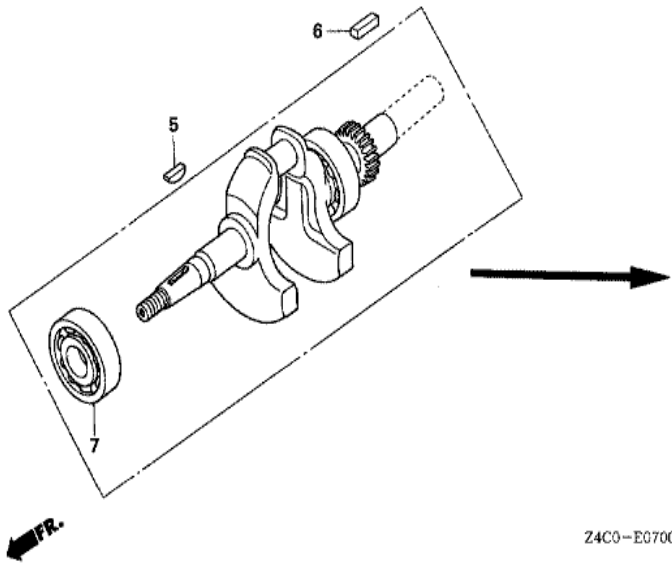


Z4C0-E4000

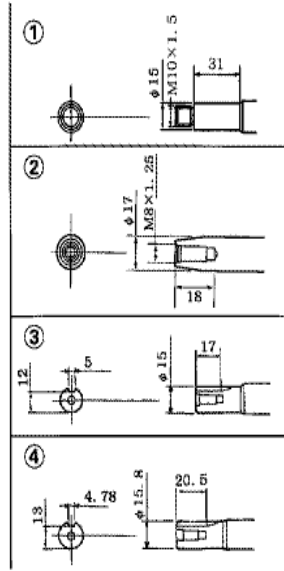
<u>Ref</u>	<u>Partnumber</u>	<u>Description</u>	<u>GXH50U</u>	<u>Serial Numbers</u>
001	16700-ZL8-013	PUMP ASSY., FUEL	1	
002	16950-ZT3-003	COCK ASSY., FUEL	1	
003	16952-ZE6-000	STRAINER, FUEL	1	
004	17670-ZC3-700	FILTER COMP., FUEL	1	
005	18333-ZT3-000	GASKET, EX. PIPE	1	1095547
005	18333-ZT3-010	GASKET, EX. PIPE	1	1095548
006	18381-ZOG-000	GASKET, MUFFLER	1	
009	60407-ZA7-000	RUBBER, BOTTOM	4	
010	90013-883-000	BOLT, FLANGE, 6X12 (CT200)	1	
011	90028-ZC3-000	BOLT, AIR CLEANER COVER (- SCREW)	1	
012	90105-ZT3-000	SCREW, PAN, 4X19	1	
014	90197-MN5-000	BOLT, FLANGE, 5X20	2	
015	90852-898-000	RUBBER, CONTROL BOX	3	
<u>Ref</u>	<u>Partnumber</u>	<u>Description</u>	<u>GXH50U</u>	<u>Serial Numbers</u>
016	91552-898-000	COLLAR, CONTROL BOX	3	
017	93404-0602500	BOLT-WASHER, 6X25	3	
019	93913-25520	SCREW, TAPPING, 5X20 (PO)	3	
020	94050-05000	NUT, FLANGE, 5MM	2	
021	94103-06000	WASHER, PLAIN, 6MM	2	
022	95002-02080	CLIP, TUBE (B8)	3	
023	95002-02100	CLIP, TUBE (B10)	2	
024	95002-70000	CLIP, TUBE (C11)	1	



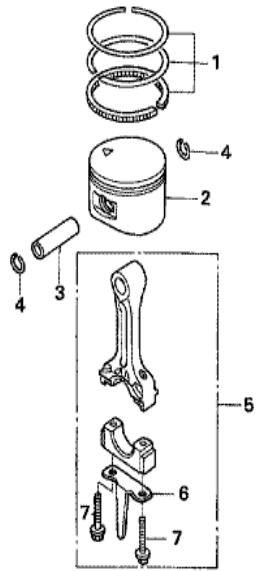
Ref	Partnumber	Description	GXH50U	Serial Numbers
001	11340-ZM7-U10	COVER COMP., CRANKCASE SIDE	1	
001	11340-ZM7-U10	COVER COMP., CRANKCASE SIDE	1	
002	16510-ZM7-000	GOVERNOR ASSY.	1	
003	16531-ZM7-000	SLIDER, GOVERNOR	1	
004	90006-ZM7-000	BOLT, FLANGE, 5X23	6	
005	90441-ZM7-000	WASHER, 4.2X13	2	
006	90602-ZM7-000	CLIP, GOVERNOR HOLDER	1	
007	91202-HC5-003	OIL SEAL, 17X27X5 (ARAI)	1	
008	94301-06100	DOWEL PIN, 6X10	2	



Z4C0-EG700

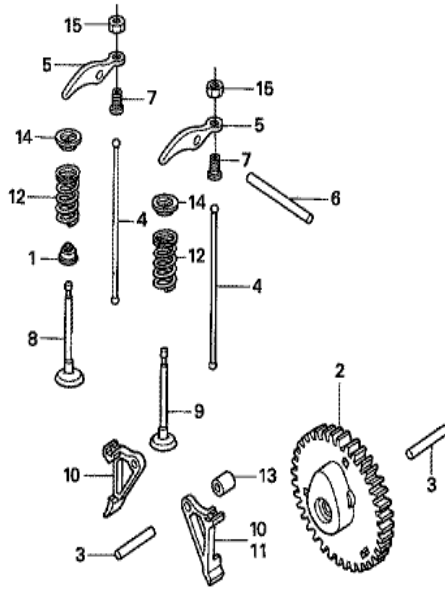


Ref	Partnumber	Description	GXH50U	Serial Numbers
002	13310-ZM7-U11	CRANKSHAFT COMP.	1	1113546
002	13310-ZM7-U11	CRANKSHAFT COMP.	1	1113546
002	13310-ZM7-U12	CRANKSHAFT COMP.	1	1113547 1122934
002	13310-ZM7-U13	CRANKSHAFT COMP.	1	1122935
005	13331-ZM7-000	KEY, SPECIAL	1	
007	96100-6203000	BEARING, RADIAL BALL, 6203	1	



Z4C0-E0800

<u>Ref</u>	<u>Partnumber</u>	<u>Description</u>	<u>GXH50U</u>	<u>Serial Numbers</u>
001	13010-ZM7-D00	RING SET, PISTON (STD.)	1	
001	13010-ZM7-D00	RING SET, PISTON (STD.)	1	
002	13101-ZM7-010	PISTON (STD.)	1	
002	13101-ZM7-010	PISTON (STD.)	1	1049099
002	13101-ZM7-800	PISTON (STD.)	1	1049100
002	13101-ZM7-800	PISTON (STD.)	1	1049100
003	13111-122-000	PIN, PISTON, 10X33	1	
004	13115-147-000	CLIP, PISTON PIN, 10MM	2	
005	13200-ZM7-000	ROD ASSY., CONNECTING	1	
005	13200-ZM7-010	ROD ASSY., CONNECTING	1	1123343
005	13200-ZM7-020	ROD ASSY., CONNECTING	1	1123344
006	13281-ZM7-000	DIPPER, CONNECTING ROD	1	
006	13281-ZM7-010	DIPPER, CONNECTING ROD	1	
<u>Ref</u>	<u>Partnumber</u>	<u>Description</u>	<u>GXH50U</u>	<u>Serial Numbers</u>
007	90001-ZM7-000	BOLT, CONNECTING ROD	2	



Z4C0-E0900

<u>Ref</u>	<u>Partnumber</u>	<u>Description</u>	<u>GXH50U</u>	<u>Serial Numbers</u>
001	12209-ZM7-003	SEAL, VALVE STEM	1	
002	14100-ZM7-010	CAMSHAFT ASSY.	1	
002	14100-ZM7-010	CAMSHAFT ASSY.	1	
003	14126-ZOG-003	ROLLER (5X29.8)	2	
004	14410-ZM7-000	ROD, PUSH	2	
005	14431-ZM7-000	ARM, VALVE ROCKER	2	
006	14435-ZM7-003	ROLLER (4X37.8)	1	
007	14451-ZM7-000	PIVOT, ROCKER ARM	2	
008	14711-ZM7-000	VALVE, IN.	1	
009	14721-ZM7-000	VALVE, EX.	1	
010	14731-ZM7-013	LIFTER, VALVE	1	
010	14731-ZM7-013	LIFTER, VALVE	2	
012	14751-ZM7-000	SPRING, VALVE	2	
<u>Ref</u>	<u>Partnumber</u>	<u>Description</u>	<u>GXH50U</u>	<u>Serial Numbers</u>
013	14754-ZM7-000	COLLAR, LIFTER	1	
014	14771-ZM3-010	RETAINER, VALVE SPRING	2	
015	90206-KM3-000	NUT, TAPPET ADJUSTING	2	