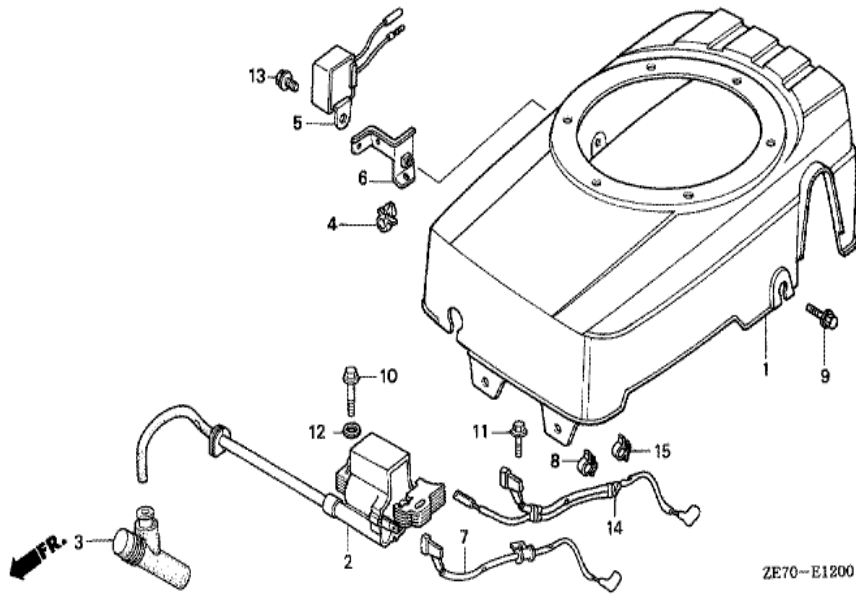


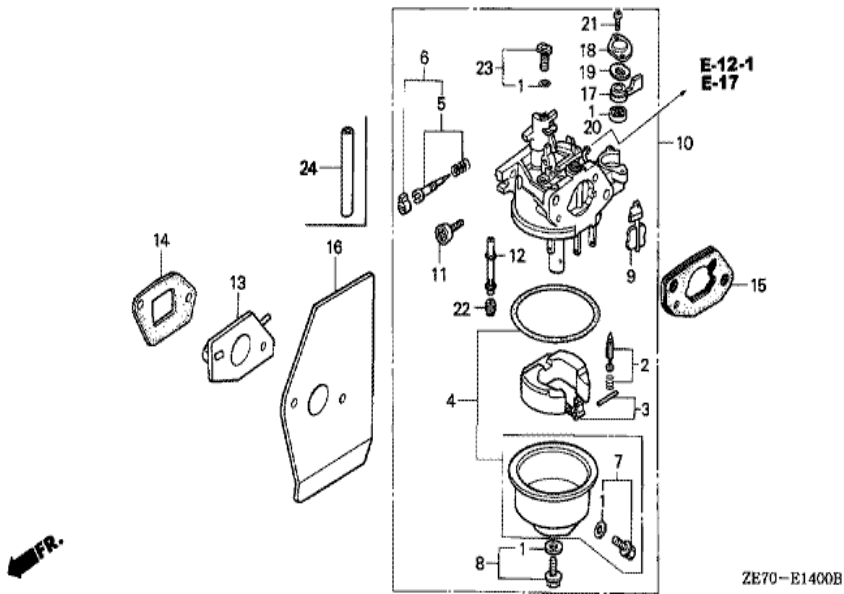
ZE70-E1100

Ref	Partnumber	Description	GXV160	Serial Numbers
001	28400-ZE7-003ZA	STARTER ASSY., RECOIL *R8 *	1	
002	28410-ZE7-003ZA	CASE COMP., RECOIL STARTER *R8 *	1	
003	28420-ZE7-003	PULLEY, RECOIL STARTER	1	
004	28422-896-010	RATCHET, STARTER	1	
005	28431-896-000	PLATE, FRICTION	1	
006	28441-896-000	SPRING, FRICTION	1	
007	28442-896-700	SPRING, RECOIL STARTER	1	
008	28443-896-000	SPRING, RETURN	1	
009	28461-ZE1-003	KNOB, RECOIL STARTER	1	1152219
010	28461-878-810	GRIP, STARTER	1	1152218
011	28462-ZA7-003	ROPE, RECOIL STARTER	1	
012	90012-ZE6-000	BOLT, FLANGE, 6X8	3	1330457
012	95701-0600800	BOLT, FLANGE, 6X8	3	1330458
Ref	Partnumber	Description	GXV160	Serial Numbers
013	92000-060120H	BOLT, HEX., 6X12	1	1330458
013	92101-060120H	BOLT, HEX., 6X12	1	1330459



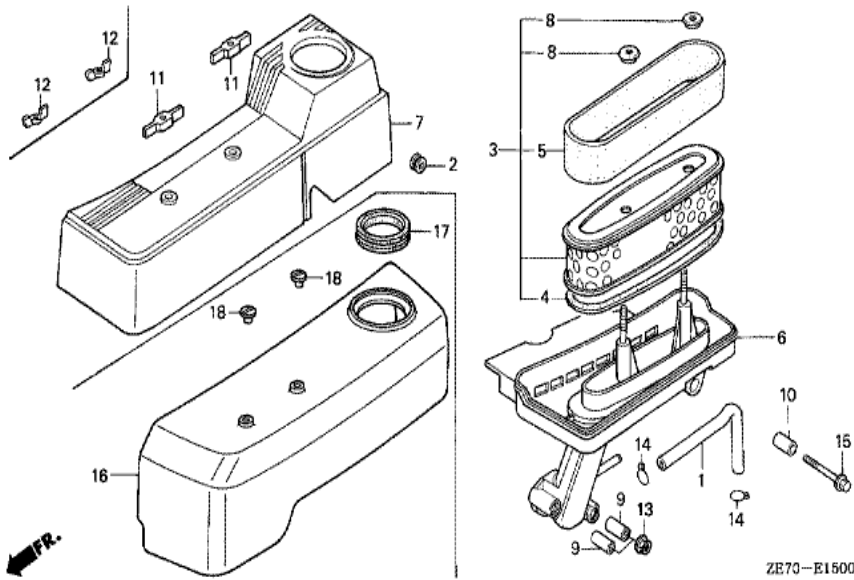
ZE70-E1200

<u>Ref</u>	<u>Partnumber</u>	<u>Description</u>	<u>GXV160</u>	<u>Serial Numbers</u>	
001	19610-ZE7-000H	COVER COMP., FAN	1	1184845	
001	19610-ZE7-010ZA	COVER COMP., FAN *R8 *	1	1184846	
002	30500-ZE7-003	COIL ASSY., IGNITION	1		
002	30500-ZE7-013	COIL ASSY., IGNITION	1	1184878	1335375
002	30500-ZE7-023	COIL ASSY., IGNITION	1	1335376	1349674
002	30500-ZE7-033	COIL ASSY., IGNITION	1		
003	30700-ZE6-013	CAP ASSY., NOISE SUPPRESSOR	1	1179926	1241175
003	30700-ZE6-023	CAP ASSY., NOISE SUPPRESSOR	1	1241176	
003	30700-ZE8-003	CAP ASSY., NOISE SUPPRESSOR	1		1179925
007	36101-ZE7-000	CORD, STOP SWITCH	1		1335375
007	36101-ZE7-010	CORD, STOP SWITCH	1	1335376	1352134
007	36101-ZE7-020	CORD, STOP SWITCH	1	1352135	
008	36103-ZE1-000	HOLDER, STOP SWITCH CORD	1		1352352
<u>Ref</u>	<u>Partnumber</u>	<u>Description</u>	<u>GXV160</u>	<u>Serial Numbers</u>	
009	90014-952-000	BOLT, FLANGE, 6X14 (CT200)	2		
010	90121-952-000	BOLT, FLANGE, 6X25 (CT200)	2		
011	90019-883-000	BOLT, FLANGE, 5X10	1	1352134	
015	46392-SC2-003	CLAMP, BRAKE PIPE (GRAY)	1		

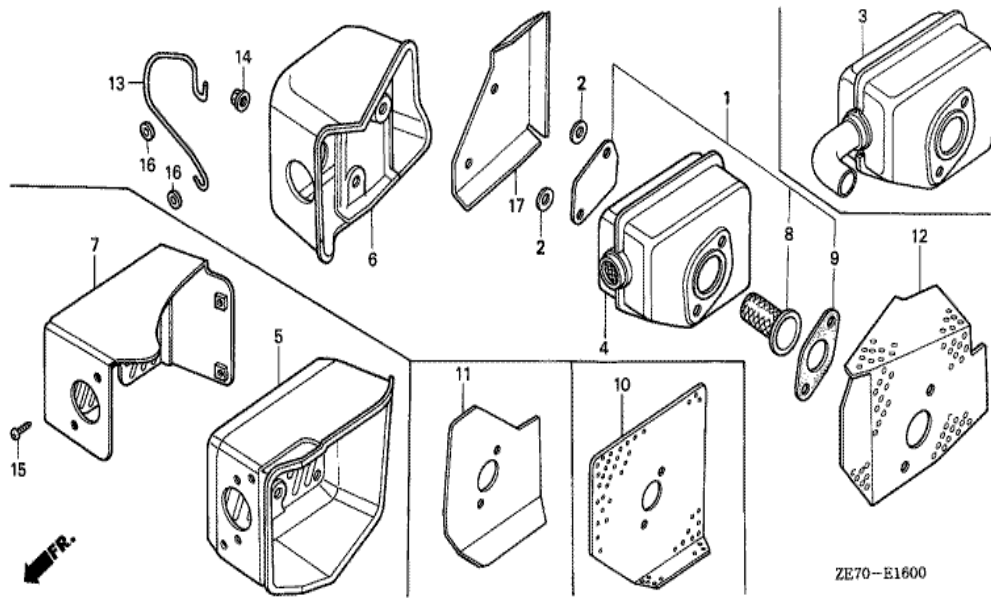


Ref	Partnumber	Description	GXV160	Serial Numbers
001	16010-ZE0-015	GASKET SET	1	BE40A E
001	16010-ZE0-025	GASKET SET	1	BE40A F
002	16011-ZE0-005	VALVE SET, FLOAT	1	
003	16013-ZE0-005	FLOAT SET	1	
004	16015-ZE0-831	CHAMBER SET, FLOAT	1	
005	16016-ZE0-005	SCREW SET, PILOT	1	
007	16024-ZE1-811	SCREW SET, DRAIN	1	
008	16028-ZE0-005	SCREW SET	1	
009	16044-ZE7-005	CHOKE SET	1	BE40A D
009	16045-ZE7-005	CHOKE SET	1	
010	16100-ZE7-005	CARBURETOR ASSY. (BE40A A)	1	1132693
010	16100-ZE7-015	CARBURETOR ASSY. (BE40A B)	1	1132694 1180000
010	16100-ZE7-025	CARBURETOR ASSY. (BE40A C/D)	1	1180001 1209045

<u>Ref</u>	<u>Partnumber</u>	<u>Description</u>	<u>GXV160</u>	<u>Serial Numbers</u>	
010	16100-ZE7-035	CARBURETOR ASSY. (BE40A E)	1	1209046	1214225
010	16100-ZE7-045	CARBURETOR ASSY. (BE40A F)	1	1214226	1346462
010	16100-ZE7-055	CARBURETOR ASSY. (BE40A G/H)	1	1346463	
011	16124-ZE0-005	SCREW, THROTTLE STOP	1		
012	16166-ZE7-005	NOZZLE, MAIN	1		BE40A B
012	16166-ZE7-015	NOZZLE, MAIN	1	BE40A D	BE40A D
012	16166-ZE7-025	NOZZLE, MAIN	1	BE40A E	BE40A F
012	16166-ZE7-W00	NOZZLE, MAIN	1	BE40A G	
013	16211-ZE7-000	INSULATOR, CARBURETOR	1		
014	16212-ZE7-000	PACKING, INSULATOR	1		1320208
014	16212-ZE7-M10	PACKING, INSULATOR	1	1320209	
015	16220-ZE6-000	SPACER COMP., CARBURETOR	1		1002050
015	16220-ZE6-010	SPACER COMP., CARBURETOR	1		
016	16221-ZE7-000	PACKING, CARBURETOR	1		1320298
016	16221-ZE7-M10	PACKING, CARBURETOR	1	1320299	1352534
016	16221-ZE7-M11	PACKING, CARBURETOR	1	1352535	
017	16953-ZE1-812	LEVER, COCK	1	BE66C B	
018	16954-ZE1-811	PLATE, LEVER SETTING	1		
018	16954-ZE1-812	PLATE, LEVER SETTING	1	BE66C B	
019	16956-ZE1-811	SPRING, COCK LEVER	1		
020	16957-ZE1-811	PACKING, FUEL COCK	1		BE40A E
020	16957-ZE1-812	PACKING, FUEL COCK	1	BE40A F	
021	93500-030061H	SCREW, PAN, 3X6	2	BE66C B	
021	93500-030080H	SCREW, PAN, 3X8	2		BE40A E
022	99101-1240620	JET, MAIN, #62	(1)	BE40A E	BE40A F
022	99101-1240650	JET, MAIN, #65	(1)		BE40A F
022	99101-1240680	JET, MAIN, #68	1		BE40A F
022	99101-1240680	JET, MAIN, #68	1	BE40A E	BE40A F
022	99101-1240700	JET, MAIN, #70	1		BE40A D
022	99101-ZH70620	JET, MAIN, #62	(1)	BE40A G	
022	99101-ZH70650	JET, MAIN, #65	1		
022	99101-ZH70680	JET, MAIN, #68	1	BE40A G	
023	99204-ZE00350	JET SET, PILOT, #35	1		
<u>Ref</u>	<u>Partnumber</u>	<u>Description</u>	<u>GXV160</u>	<u>Serial Numbers</u>	
023	99204-ZE00380	JET SET, PILOT, #38	1	BE40A E	BE40A F
023	99204-ZE20400	JET SET, PILOT, #40	1	BE40A G	

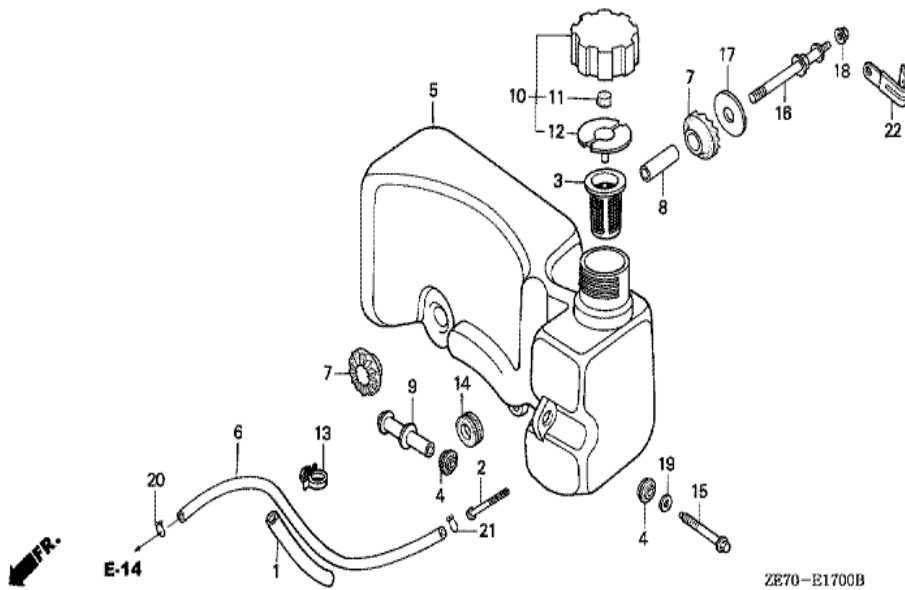


<u>Ref</u>	<u>Partnumber</u>	<u>Description</u>	<u>GXV160</u>	<u>Serial Numbers</u>	
001	15721-ZE7-000	TUBE, BREATHER	1		
002	16613-890-000	GROMMET, CHOKE ROD	1		
003	17210-ZE7-013	ELEMENT, AIR CLEANER	1		
004	17217-ZE7-013	PACKING, ELEMENT	1		
005	17218-888-003	FILTER, OUTER	1		
006	17220-ZE7-010	CASE COMP., AIR CLEANER	1	1002051	1003813
006	17220-ZE7-030	CASE COMP., AIR CLEANER	1		
007	17231-ZE7-000	COVER, AIR CLEANER	1		
008	17232-891-000	GROMMET, AIR CLEANER	2		
009	17238-ZE1-000	COLLAR, AIR CLEANER	2		1002050
009	17238-ZE7-010	COLLAR, AIR CLEANER	2	1002051	1007528
009	17238-ZE7-710	COLLAR, AIR CLEANER	2	1007529	
010	17239-ZE6-300	COLLAR B, AIR CLEANER	1		
<u>Ref</u>	<u>Partnumber</u>	<u>Description</u>	<u>GXV160</u>	<u>Serial Numbers</u>	
011	90203-ZA0-800	NUT, WING, 6MM (BLACK)	2		1352838
012	90325-044-000	NUT, TOOL BOX SETTING	2	1352839	
013	94050-06000	NUT, FLANGE, 6MM	2		
014	95002-02120	CLIP, TUBE (B12)	2		1330458
015	95700-0603500	BOLT, FLANGE, 6X35	1		

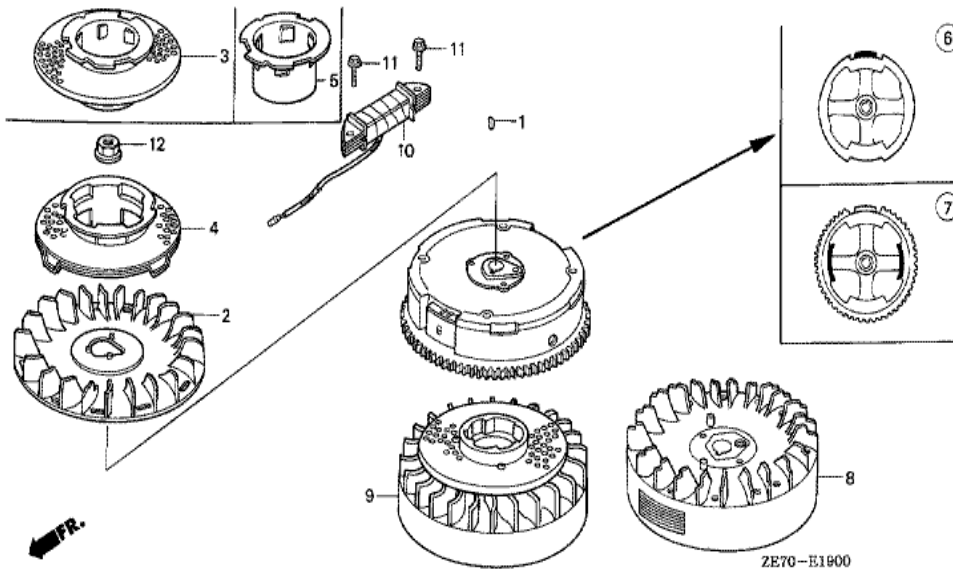


ZE70-E1600

Ref	Partnumber	Description	GXV160	Serial Numbers
001	06180-ZE6-810	ARRESTER KIT, SPARK	(1)	
004	18310-ZE7-013	MUFFLER COMP.	1	8117189
005	18320-ZE7-003	PROTECTOR, MUFFLER	1	1039228
005	18320-ZE7-013	PROTECTOR, MUFFLER	1	1039229
008	18355-888-810	ARRESTER, SPARK	(1)	
009	18381-ZE6-810	GASKET, MUFFLER	(1)	
010	18381-ZE7-000	GASKET, MUFFLER	1	1039228
010	18381-ZE7-010	GASKET, MUFFLER	1	1039229 1290992
010	18381-ZE7-800	GASKET, MUFFLER	1	1290993
014	90343-ZE6-000	NUT, SELF-LOCK, 6MM	2	

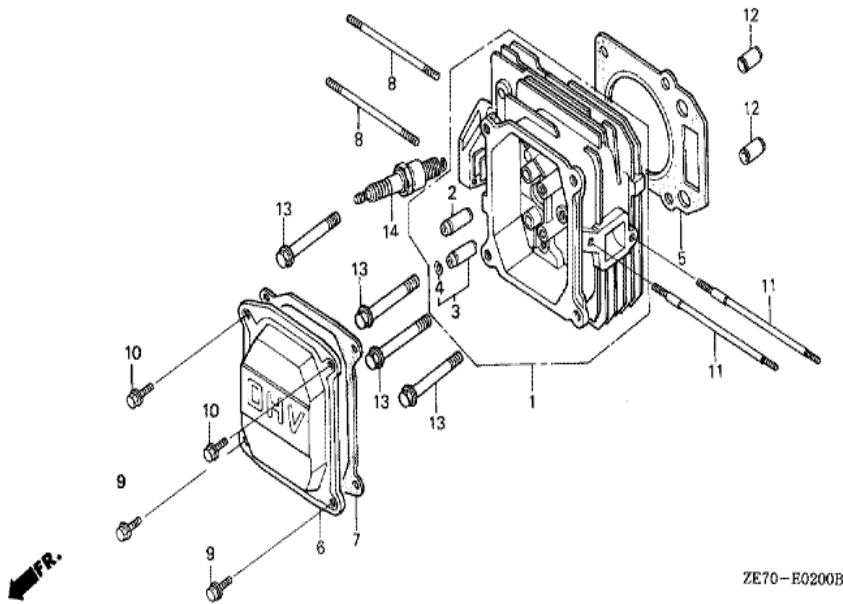


<u>Ref</u>	<u>Partnumber</u>	<u>Description</u>	<u>GXV160</u>	<u>Serial Numbers</u>
001	16854-ZE1-000	RUBBER, SUPPORTER (107MM)	1	1265000
001	16854-ZH8-000	RUBBER, SUPPORTER (107MM)	1	1265001
002	16952-ZA8-800	STRAINER, FUEL	1	
003	17505-ZE7-000	GAUGE, FUEL LEVEL	1	1007545 1330458
004	17506-ZE7-000	RUBBER, TANK SETTING	2	
005	17510-ZE7-000	TANK, FUEL	1	1007544
005	17510-ZE7-010	TANK, FUEL	1	1007545
005	17510-ZE7-020	TANK, FUEL	1	
006	17512-ZE7-000	TUBE, FUEL	1	
007	17516-896-700	RUBBER B, TANK MOUNTING	2	
008	17518-ZE7-000	COLLAR, TANK SETTING	1	
009	17519-ZE7-000	COLLAR COMP., TANK	1	
010	17620-ZE7-000	CAP ASSY., FUEL TANK	1	
<u>Ref</u>	<u>Partnumber</u>	<u>Description</u>	<u>GXV160</u>	<u>Serial Numbers</u>
011	17622-888-010	SPONGE, FUEL CAP BREATHER	1	
012	17624-ZE7-000	PACKING, FUEL CAP	1	1007545
012	17624-ZG1-750	PACKING, FUEL CAP	1	1007544
014	80103-MG2-000	CUSHION, RR. FENDER	1	
015	90014-888-000	BOLT, FLANGE, 6X50	1	
016	90016-ZE7-000	BOLT, TANK STAY	1	
017	90455-896-700	WASHER, TANK MOUNTING	1	
018	94050-06000	NUT, FLANGE, 6MM	1	
019	94103-06000	WASHER, PLAIN, 6MM	1	
020	95002-02080	CLIP, TUBE (B8)	1	
021	95002-70000	CLIP, TUBE (C11)	1	



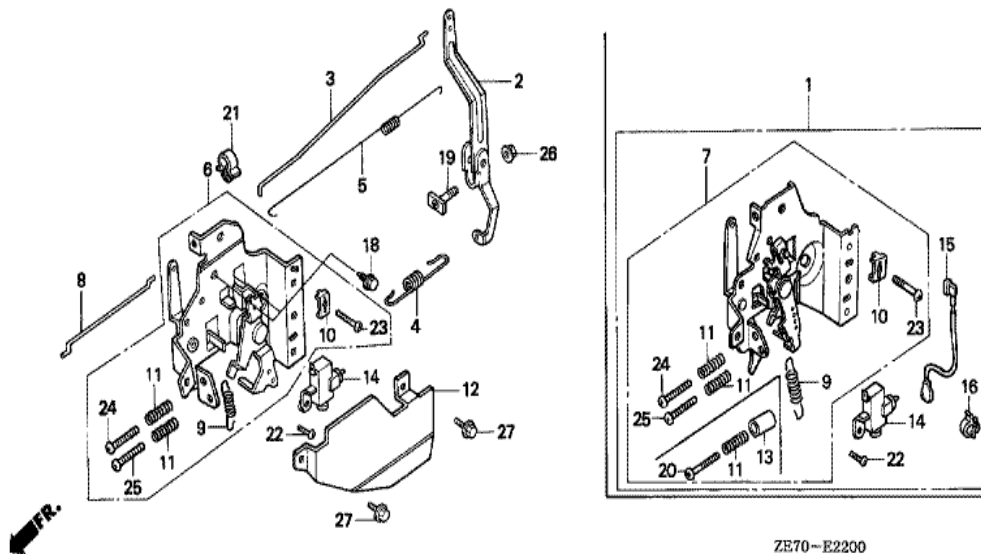
Ref	Partnumber	Description	GXV160	Serial Numbers
001	13331-357-000	KEY, SPECIAL WOODRUFF, 25X18	1	
002	19511-ZE1-000	FAN, COOLING	1	
004	28451-ZE7-003	PULLEY COMP., STARTER	1	
006	31100-ZE7-000	FLYWHEEL COMP. (STD.)	1	
012	90201-878-003	NUT, SPECIAL, 14MM	1	





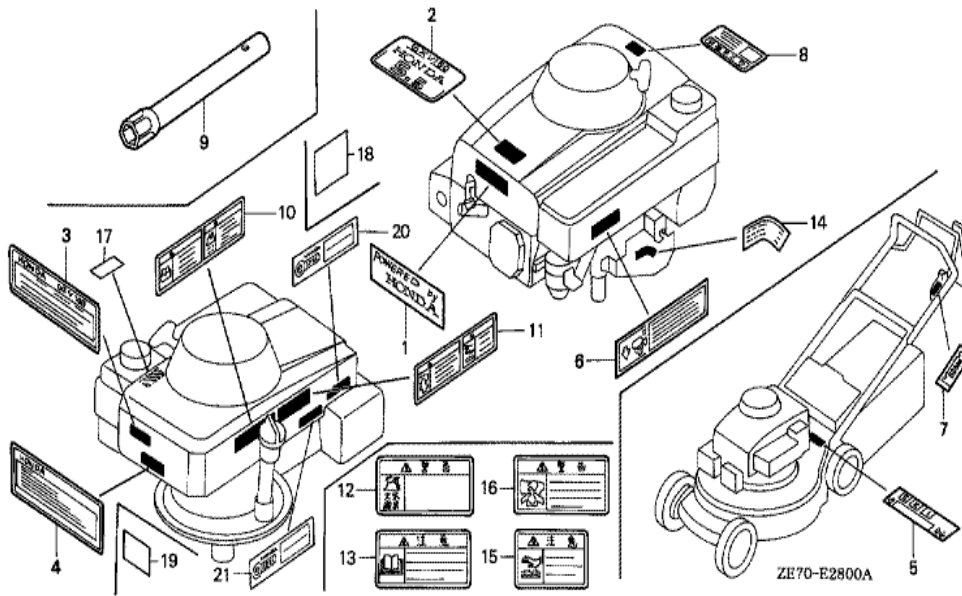
ZE70-E0200B

<u>Ref</u>	<u>Partnumber</u>	<u>Description</u>	<u>GXV160</u>	<u>Serial Numbers</u>
001	12200-ZE7-000	HEAD COMP., CYLINDER	1	2067037
002	12204-ZE1-305	GUIDE, IN. VALVE (OS)	(1)	1290940
002	12204-ZE1-306	GUIDE, IN. VALVE (OS)	(1)	
003	12205-ZE1-315	GUIDE, EX. VALVE (OS)	(1)	
004	12216-ZE5-300	CLIP, VALVE GUIDE	1	
005	12251-ZE7-000	GASKET, CYLINDER HEAD	1	
006	12310-ZE7-000	COVER, HEAD	1	
007	12391-ZE7-000	PACKING, HEAD COVER	1	1320208
007	12391-ZE7-M10	PACKING, HEAD COVER	1	1320209
008	90013-ZE7-000	BOLT, STUD, 6X82	2	
009	90013-883-000	BOLT, FLANGE, 6X12 (CT200)	2	1330279
009	90016-ZE1-000	BOLT, FLANGE, 6X13 (CT200)	2	1330278
010	90014-952-000	BOLT, FLANGE, 6X14 (CT200)	2	
<u>Ref</u>	<u>Partnumber</u>	<u>Description</u>	<u>GXV160</u>	<u>Serial Numbers</u>
011	90043-ZE1-010	BOLT, STUD, 6X109	2	1350096
011	90043-ZE6-000	BOLT, STUD, 6X109	2	1350097
012	94301-10160	DOWEL PIN, 10X16	2	
013	95700-0805000	BOLT, FLANGE, 8X50	4	
014	98079-54846	PLUG, SPARK (BPR4ES) (NGK)	(1)	
014	98079-54855	PLUG, SPARK (W14EPR-U) (DENSO)	(1)	
014	98079-55846	PLUG, SPARK (BPR5ES) (NGK)	1	
014	98079-55855	PLUG, SPARK (W16EPR-U) (DENSO)	1	
014	98079-56846	PLUG, SPARK (BPR6ES) (NGK)	(1)	
014	98079-56855	PLUG, SPARK (W20EPR-U) (DENSO)	(1)	

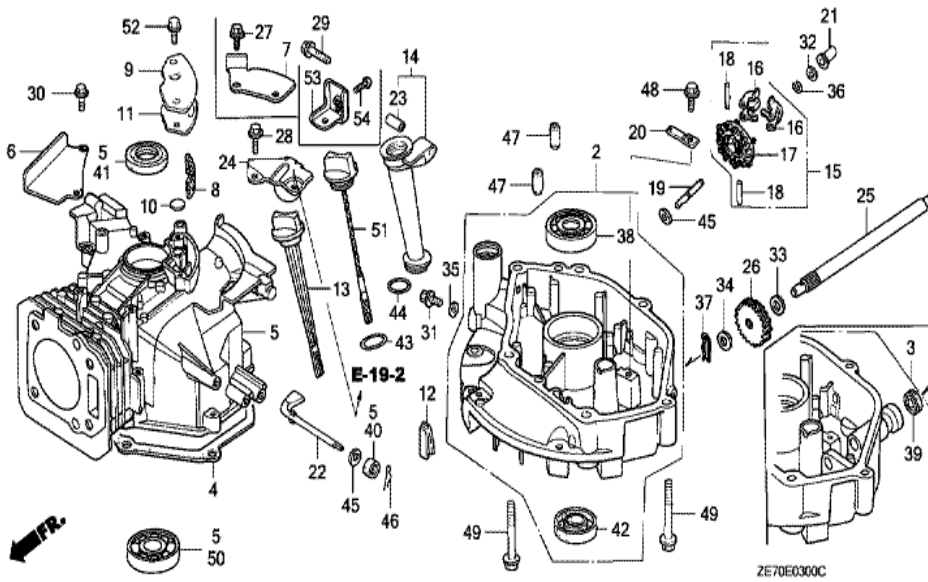


ZE70~E2200

<u>Ref</u>	<u>Partnumber</u>	<u>Description</u>	<u>GXV160</u>	<u>Serial Numbers</u>
002	16551-ZE7-000	ARM, GOVERNOR	1	
003	16555-ZE7-000	ROD, GOVERNOR	1	
004	16561-ZE7-000	SPRING, GOVERNOR	1	1002988
004	16561-ZE7-010	SPRING, GOVERNOR	1	1002989 1284536
004	16561-ZE7-020	SPRING, GOVERNOR	1	1284537
005	16562-ZE6-000	SPRING, THROTTLE RETURN	1	
006	16570-ZE7-000	CONTROL ASSY.	1	1003660
006	16570-ZE7-010	CONTROL ASSY.	1	1003661 1270690
006	16570-ZE7-020	CONTROL ASSY.	1	1270691
008	16573-ZE7-000	ROD, CHOKE	1	
009	16576-ZE7-300	SPRING, LEVER	1	1270691
010	16576-891-000	HOLDER, CABLE	1	
011	16584-883-300	SPRING, CONTROL ADJUSTING	1	1270690
<u>Ref</u>	<u>Partnumber</u>	<u>Description</u>	<u>GXV160</u>	<u>Serial Numbers</u>
011	16584-883-300	SPRING, CONTROL ADJUSTING	2	1270691
012	16585-ZE7-000	PROTECTOR, CONTROL	1	1357489
014	36100-ZE7-003	SWITCH ASSY., ENGINE STOP	1	2076731
018	90013-883-000	BOLT, FLANGE, 6X12 (CT200)	2	
019	90015-ZE5-000	BOLT, GOVERNOR ARM	1	1004104
019	90015-ZE5-010	BOLT, GOVERNOR ARM	1	1004105
021	90659-680-013	CLIP, WIRE HARNESS	1	
022	93500-040080A	SCREW, PAN, 4X8	1	
023	93500-050160A	SCREW, PAN, 5X16	1	
024	93500-050200A	SCREW, PAN, 5X20	1	
025	93500-050280A	SCREW, PAN, 5X28	1	1270691
026	94050-06000	NUT, FLANGE, 6MM	1	
027	95700-0601000	BOLT, FLANGE, 6X10	2	

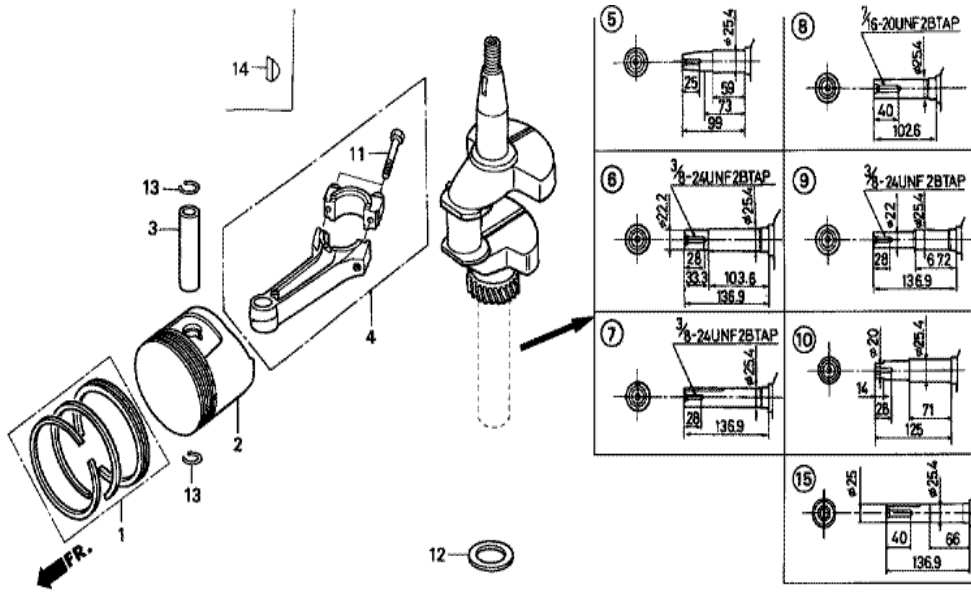


Ref	Partnumber	Description	GXV160	Serial Numbers
002	87101-ZE7-000	EMBLEM, TOP COVER (E)	1	
004	87105-ZE7-000	MARK, CAUTION (H)	1	
006	87524-ZE7-000	LABEL, AIR CLEANER CAUTION (H)	1	
009	99004-21003	WRENCH, BOX (P21)	1	
014	87523-ZE6-000	MARK, CONTROL	1	
018	87594-VA4-000	MARK, OIL CAUTION	1	



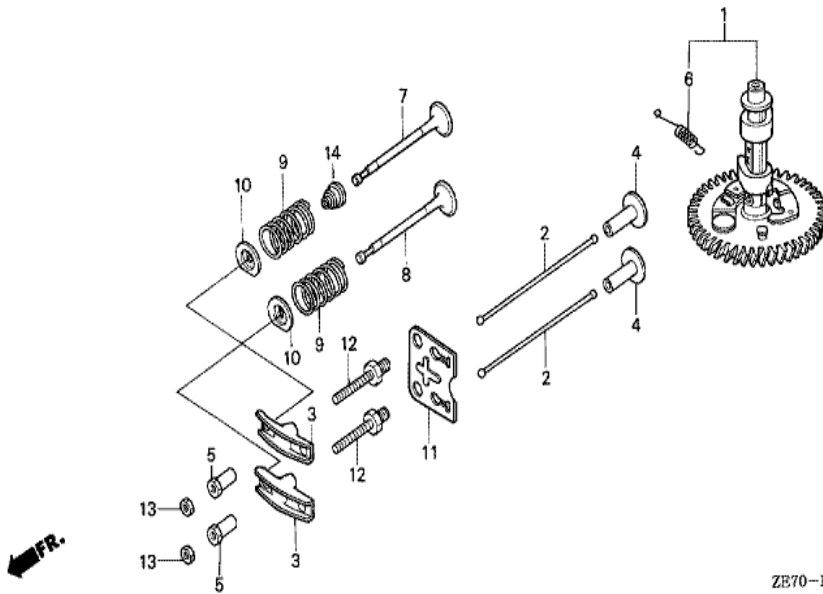
Ref	Partnumber	Description	GXV160	Serial Numbers
002	11300-ZE7-010	PAN ASSY., OIL	1	1174114
002	113A0-ZE7-000	PAN ASSY., OIL	1	1174113
004	11381-ZE7-000	PACKING, OIL PAN	1	1320208
004	11381-ZE7-M10	PACKING, OIL PAN	1	
005	12000-ZE7-020	BARREL ASSY., CYLINDER	1	1367609
005	120A0-ZE7-000	BARREL ASSY., CYLINDER	1	1004167
005	120A0-ZE7-010	BARREL ASSY., CYLINDER	1	1004168
006	12125-ZE7-000	PLATE, GUIDE	1	
008	12367-883-003	FILTER, BREATHER	1	
009	12370-ZE7-000	COVER COMP., BREATHER	1	
010	12372-ZE2-300	VALVE, BREATHER	1	
011	12373-ZE7-000	PACKING, BREATHER COVER	1	
012	15335-ZE7-000	RUBBER, OIL RETURN	1	

<u>Ref</u>	<u>Partnumber</u>	<u>Description</u>	<u>GXV160</u>	<u>Serial Numbers</u>
013	15620-ZE6-810	GAUGE COMP., OIL LEVEL	1	1174114
014	15630-ZE6-680	EXTENSION, OIL FILLER	1	1174113
014	15630-ZE6-810	EXTENSION, OIL FILLER	1	1174114
015	16510-ZE6-000	GOVERNOR ASSY.	1	
016	16511-ZE1-000	WEIGHT, GOVERNOR	2	
017	16512-ZE6-000	HOLDER, GOVERNOR WEIGHT	1	
018	16513-ZE1-000	PIN, GOVERNOR WEIGHT	2	
019	16515-ZE6-000	SHAFT, GOVERNOR HOLDER	1	
020	16525-ZE6-000	PLATE, GOVERNOR SHAFT HOLDER	1	
021	16531-ZE1-000	SLIDER, GOVERNOR	1	
022	16541-ZE7-000	SHAFT, GOVERNOR ARM	1	
023	17240-ZE6-000	COLLAR, EXTENSION	1	
024	17517-ZE7-000	STAY COMP., TANK	1	
028	90014-952-000	BOLT, FLANGE, 6X14 (CT200)	2	
029	90017-883-000	BOLT, FLANGE, 6X32 (CT200)	1	
030	90022-888-010	BOLT, FLANGE, 6X20 (CT200)	2	
031	90131-ZE1-000	BOLT, DRAIN PLUG	2	1152218
031	90131-ZE1-000	BOLT, DRAIN PLUG	1	1152219
032	90451-898-000	WASHER, THRUST, 6MM	1	
035	90601-ZE1-000	WASHER, DRAIN PLUG, 10.2MM	2	1152218
035	90601-ZE1-000	WASHER, DRAIN PLUG, 10.2MM	1	1152219
036	90602-ZE1-000	CLIP, GOVERNOR HOLDER	1	
038	91001-894-004	BEARING, RADIAL BALL	1	
040	91231-891-003	OIL SEAL, 6X11X4 (ARAI)	1	
041	91252-888-003	OIL SEAL, 25X38X7 (ARAI)	1	
042	91252-894-004	OIL SEAL, 25.4X40X7	1	
043	91301-ZE9-003	O-RING, 22.1X2.2	1	
043	91305-679-003	O-RING, 22.1X2	1	1039228
044	91301-805-000	O-RING, 26X2.7	1	
045	94101-06800	WASHER, PLAIN, 6MM	2	
046	94251-08000	PIN, LOCK, 8MM	1	
047	94301-08140	DOWEL PIN, 8X14	2	
048	95700-0601208	BOLT, FLANGE, 6X12	1	
<u>Ref</u>	<u>Partnumber</u>	<u>Description</u>	<u>GXV160</u>	<u>Serial Numbers</u>
049	95700-0805000	BOLT, FLANGE, 8X50	6	
050	96100-6205000	BEARING, RADIAL BALL, 6205	1	
051	15620-ZE7-000	GAUGE COMP., OIL LEVEL	1	1174113
052	90014-952-000	BOLT, FLANGE, 6X14 (CT200)	2	



ZE70-E0760C

Ref	Partnumber	Description	GXV160	Serial Numbers
001	13010-ZF1-013	RING SET, PISTON (STD.) (TEIKOKU)	1	1149118
001	13010-ZF1-014	RING SET, PISTON (STD.) (NIPPON)	1	1149118
001	13010-ZF1-023	RING SET, PISTON (STD.) (TEIKOKU)	1	1149119
001	13010-ZF1-024	RING SET, PISTON (STD.) (NIPPON)	1	
001	13011-ZF1-013	RING SET, PISTON (0.25) (TEIKOKU)	(1)	1149118
001	13011-ZF1-014	RING SET, PISTON (0.25) (NIPPON)	(1)	1149118
001	13011-ZF1-023	RING SET, PISTON (0.25) (TEIKOKU)	(1)	1149119
001	13011-ZF1-024	RING SET, PISTON (0.25) (NIPPON)	(1)	
001	13012-ZF1-013	RING SET, PISTON (0.50) (TEIKOKU)	(1)	1149118
001	13012-ZF1-014	RING SET, PISTON (0.50) (NIPPON)	(1)	1149118
001	13012-ZF1-023	RING SET, PISTON (0.50) (TEIKOKU)	(1)	1149119
001	13012-ZF1-024	RING SET, PISTON (0.50) (NIPPON)	(1)	
001	13013-ZF1-013	RING SET, PISTON (0.75) (TEIKOKU)	(1)	1149118
001	13013-ZF1-014	RING SET, PISTON (0.75) (NIPPON)	(1)	1149118
001	13013-ZF1-023	RING SET, PISTON (0.75) (TEIKOKU)	(1)	1149119
001	13013-ZF1-024	RING SET, PISTON (0.75) (NIPPON)	(1)	
002	13101-ZE7-000	PISTON (STD.)	1	1149118
002	13101-ZE7-010	PISTON (STD.)	1	1149119
002	13102-ZE7-000	PISTON (0.25)	(1)	1149118
002	13102-ZE7-010	PISTON (0.25)	(1)	
002	13103-ZE7-000	PISTON (0.50)	(1)	1149118
002	13103-ZE7-010	PISTON (0.50)	(1)	
002	13104-ZE7-000	PISTON (0.75)	(1)	1149118
002	13104-ZE7-010	PISTON (0.75)	(1)	1149119
003	13111-ZE1-000	PIN, PISTON	1	
004	13200-ZE7-000	ROD ASSY., CONNECTING	1	
004	13200-ZE7-305	ROD ASSY., CONNECTING (0.25 UNDER SIZE)	(1)	
008	13310-ZE7-660	CRANKSHAFT COMP.	1	1352110
008	13310-ZE7-661	CRANKSHAFT COMP.	1	1352111
011	90001-ZE1-000	BOLT, CONNECTING ROD	2	
013	90551-ZE1-000	CLIP, PISTON PIN, 18MM	2	



ZB70-E0900A

<u>Ref</u>	<u>Partnumber</u>	<u>Description</u>	<u>GXV160</u>	<u>Serial Numbers</u>
001	14100-ZE7-000	CAMSHAFT ASSY.	1	
002	14410-ZE1-010	ROD, PUSH	2	
003	14431-ZE1-000	ARM, VALVE ROCKER	2	
004	14441-ZE1-000	LIFTER, VALVE	2	1363415
005	14451-ZE1-003	PIVOT, ROCKER ARM	2	1315993
005	14451-ZE1-013	PIVOT, ROCKER ARM	2	1315994
006	14568-ZE1-000	SPRING, WEIGHT RETURN	1	
007	14711-ZE7-000	VALVE, IN.	1	2068161
008	14721-ZE7-000	VALVE, EX.	1	
009	14751-ZE1-000	SPRING, VALVE	2	
010	14771-ZE1-000	RETAINER, IN. VALVE SPRING	2	
011	14791-ZE1-010	PLATE, PUSH ROD GUIDE	1	
012	90012-ZE0-010	BOLT, PIVOT, 8MM	2	
<u>Ref</u>	<u>Partnumber</u>	<u>Description</u>	<u>GXV160</u>	<u>Serial Numbers</u>
013	90206-ZE1-000	NUT, PIVOT ADJUSTING	2	



HENG-X0003

<u>Ref</u>	<u>Partnumber</u>	<u>Description</u>	<u>GXV160</u>	<u>Serial Numbers</u>
001	061A1-ZE7-000	GASKET KIT	1	1320208
001	061A1-ZE7-800	GASKET KIT	1	1320209