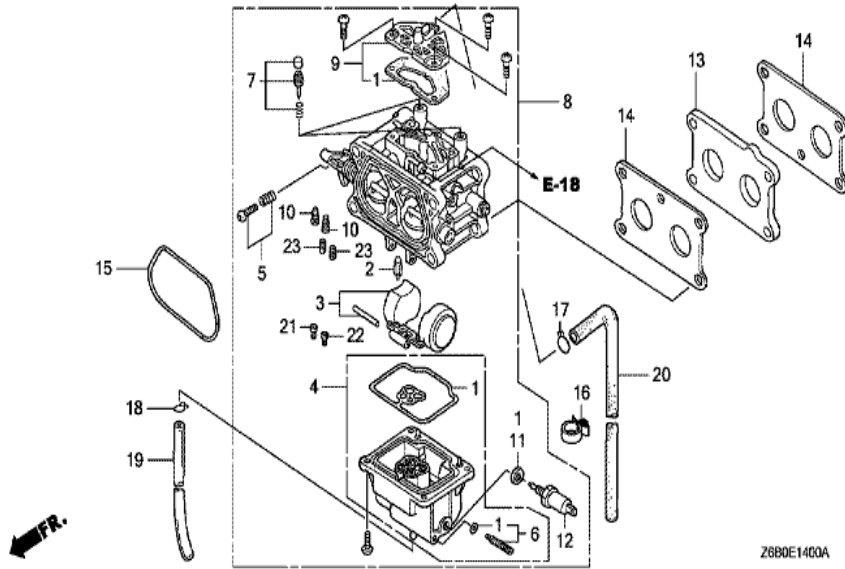
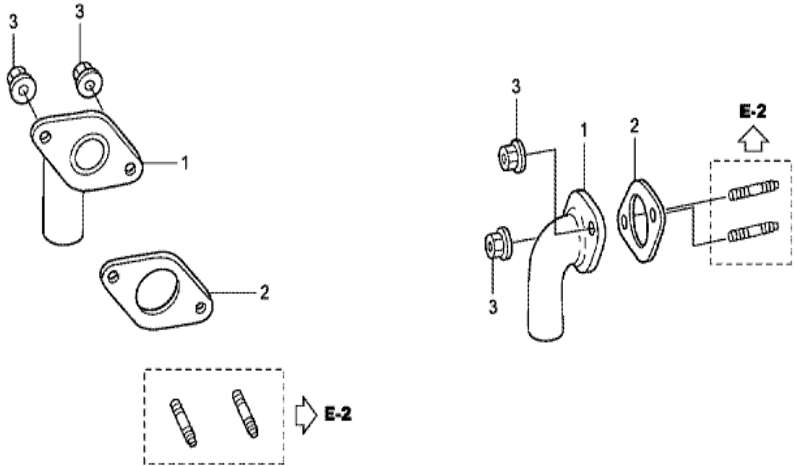


| Ref | Partnumber | Description | GXV520U | Serial Numbers |
|-----|-----------------|-------------------------------|---------|----------------|
| 001 | 16711-ZOA-000 | STAY, FUEL PUMP | 1 | |
| 002 | 17211-ZOA-013 | ELEMENT, AIR CLEANER | 1 | |
| 003 | 17212-ZOA-000 | GRID, AIR CLEANER | 1 | |
| 004 | 17218-ZOA-810 | FILTER, OUTER | 1 | |
| 005 | 17228-ZOA-003 | PACKING, AIR CLEANER | 1 | |
| 006 | 17229-ZOA-000 | SEAL, AIR CLEANER CASE | 1 | |
| 007 | 17231-ZOA-000 | COVER, AIR CLEANER | 1 | |
| 008 | 17238-ZJ4-830 | COLLAR A, AIR CLEANER | 4 | |
| 009 | 17410-ZOA-010 | ELBOW COMP., AIR CLEANER | 1 | |
| 010 | 19611-ZOA-010ZA | COVER, FAN *NH1 * | 1 | |
| 010 | 19611-ZOA-010ZC | COVER, FAN *R280 * | 1 | |
| 010 | 19611-ZOA-010ZC | COVER, FAN *R280 * | 1 | |
| 011 | 19612-ZOA-000 | PLATE, SIDE | 1 | |
| Ref | Partnumber | Description | GXV520U | Serial Numbers |
| 015 | 28452-ZOA-000ZA | GRID, SCREEN (D50) *NH1* | 1 | |
| 015 | 28452-ZOA-000ZC | GRID, SCREEN (D50) *R280* | 1 | |
| 015 | 28452-ZOA-000ZC | GRID, SCREEN (D50) *R280* | 1 | |
| 018 | 90004-ZOA-000 | BOLT, AIR CLEANER, 6MM | 2 | |
| 019 | 90013-ZL8-000 | BOLT, FLANGE, 6X14 (CT200) | 2 | |
| 020 | 90014-952-000 | BOLT, FLANGE, 6X14 (CT200) | 1 | |
| 020 | 90014-952-000 | BOLT, FLANGE, 6X14 (CT200) | 2 | |
| 021 | 90044-ZOA-000 | BOLT, L. STUD (IGNITION COIL) | 1 | |
| 022 | 90045-ZOA-000 | BOLT, R. STUD (IGNITION COIL) | 1 | |
| 023 | 90201-ZM0-000 | NUT, FLANGE, 6MM | 2 | |
| 025 | 93913-24780 | SCREW, TAPPING, 4X30 (PO) | 4 | |
| 027 | 94103-06800 | WASHER, PLAIN, 6MM | 2 | |
| 029 | 95701-0601200 | BOLT, FLANGE, 6X12 | 2 | |
| 030 | 95801-0610000 | BOLT, FLANGE, 6X100 | 4 | |



| Ref | Partnumber | Description | GXV520U | Serial Numbers |
|-----|---------------|----------------------------|---------|----------------|
| 001 | 16010-Z0A-802 | GASKET SET | 1 | |
| 002 | 16011-Z0A-004 | VALVE, FLOAT | 1 | |
| 003 | 16013-Z0A-004 | FLOAT SET | 1 | |
| 004 | 16015-Z0A-802 | CHAMBER SET, FLOAT | 1 | |
| 005 | 16016-Z0A-004 | SCREW SET | 1 | |
| 006 | 16024-Z0A-004 | SCREW SET, DRAIN | 1 | |
| 007 | 16028-Z0N-004 | SCREW SET, PILOT | 2 | |
| 007 | 16028-Z0N-004 | SCREW SET, PILOT | 2 | |
| 008 | 16100-Z0N-815 | CARBURETOR ASSY. (BW04B C) | 1 | |
| 008 | 16100-Z0N-815 | CARBURETOR ASSY. (BW04B C) | 1 | |
| 009 | 16139-Z0A-004 | COVER SET, AIR VENT | 1 | |
| 010 | 16168-Z0A-004 | CAP | 2 | |
| 011 | 16178-Z0A-802 | GASKET | 1 | |

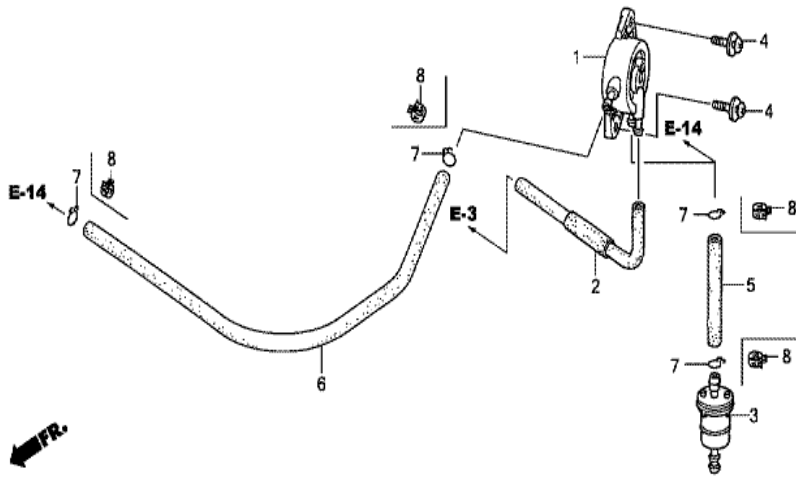
| <u>Ref</u> | <u>Partnumber</u> | <u>Description</u> | <u>GXV520U</u> | <u>Serial Numbers</u> |
|------------|-------------------|--|----------------|-----------------------|
| 012 | 16200-Z0A-802 | VALVE ASSY., SOLENOID | 1 | |
| 013 | 16211-Z0A-000 | INSULATOR, CARBURETOR | 1 | |
| 014 | 16212-Z0A-000 | PACKING, INSULATOR | 2 | |
| 015 | 17228-Z0A-003 | PACKING, AIR CLEANER | 1 | |
| 016 | 90659-680-013 | CLIP, WIRE HARNESS | 1 | |
| 017 | 95002-02080 | CLIP, TUBE (B8) | 1 | |
| 018 | 95002-02650 | CLIP, TUBE (B6.5) | 1 | |
| 019 | 95003-0703031 | TUBE, VINYL, 4X7X300 (95003-07001-60M) | 1 | |
| 020 | 95005-4540020 | TUBE, 4.5X400 (95005-45001-20M) | 1 | |
| 021 | 99131-Z0A0710 | JET, MAIN, #71.3 | (1) | |
| 021 | 99131-Z0A0730 | JET, MAIN, #73.8 | (1) | |
| 021 | 99131-Z0A0730 | JET, MAIN, #73.8 | (1) | |
| 021 | 99131-Z0A0760 | JET, MAIN, #76.3 | 1 | |
| 021 | 99131-Z0A0760 | JET, MAIN, #76.3 | 1 | |
| 022 | 99131-Z0A0730 | JET, MAIN, #73.8 | (1) | |
| 022 | 99131-Z0A0760 | JET, MAIN, #76.3 | (1) | |
| 022 | 99131-Z0A0760 | JET, MAIN, #76.3 | (1) | |
| 022 | 99131-Z0A0780 | JET, MAIN, #78.8 | 1 | |
| 022 | 99131-Z0A0780 | JET, MAIN, #78.8 | 1 | |
| 023 | 99134-Z0A0350 | JET, PILOT, #35 | 2 | |



←FR.

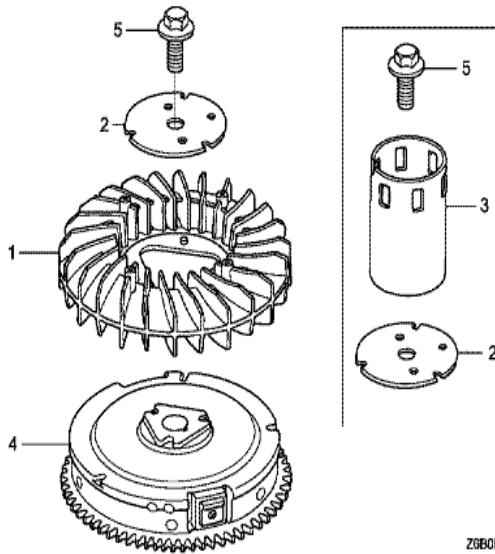
Z6B0E100A

| Ref | Partnumber | Description | GXV520U | Serial Numbers |
|-----|---------------|------------------|---------|----------------|
| 001 | 18331-Z0A-000 | PIPE, EX. | 2 | |
| 002 | 18333-Z0A-000 | GASKET, EX. PIPE | 2 | |
| 003 | 94050-06000 | NUT, FLANGE, 6MM | 4 | |



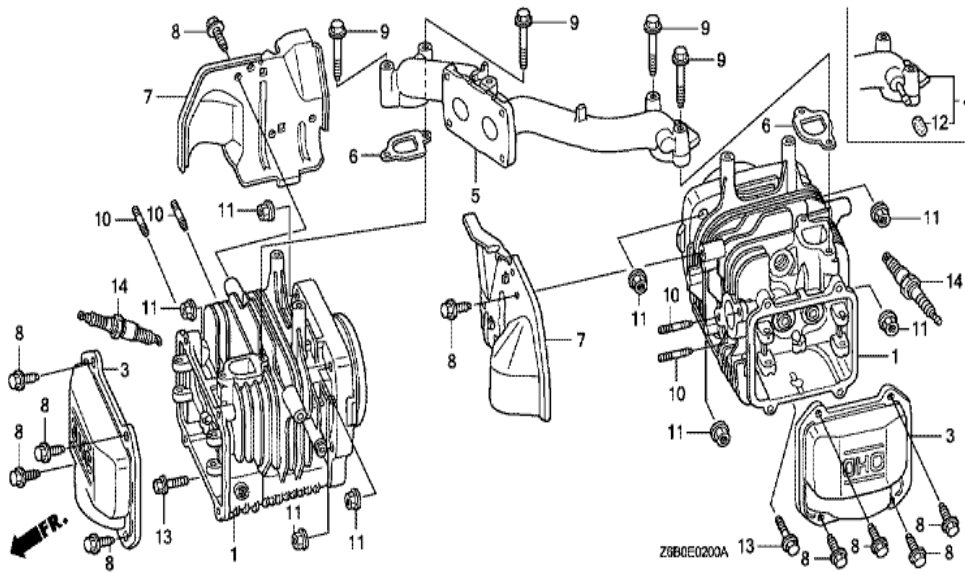
Z690E18008

| Ref | Partnumber | Description | GXV520U | Serial Numbers |
|-----|---------------|---------------------------------------|---------|----------------|
| 001 | 16700-ZL8-013 | PUMP ASSY., FUEL | 1 | |
| 002 | 16882-Z0A-000 | TUBE, DIAPHRAGM | 1 | |
| 003 | 16910-ZV4-015 | STRAINER COMP., FUEL | 1 | |
| 004 | 93894-0501600 | SCREW-WASHER, 5X16 | 2 | |
| 005 | 95001-5510040 | TUBE, FUEL, 5.3X100 (95001-55001-60M) | 1 | 1001841 |
| 005 | 95001-5510040 | TUBE, FUEL, 5.3X100 (95001-55001-60M) | 1 | |
| 006 | 95001-5535040 | TUBE, FUEL, 5.3X350 (95001-55001-60M) | 1 | 1001841 |
| 006 | 95001-5535040 | TUBE, FUEL, 5.3X350 (95001-55001-60M) | 1 | |
| 007 | 95002-02100 | CLIP, TUBE (B10) | 2 | |
| 007 | 95002-02100 | CLIP, TUBE (B10) | 4 | |

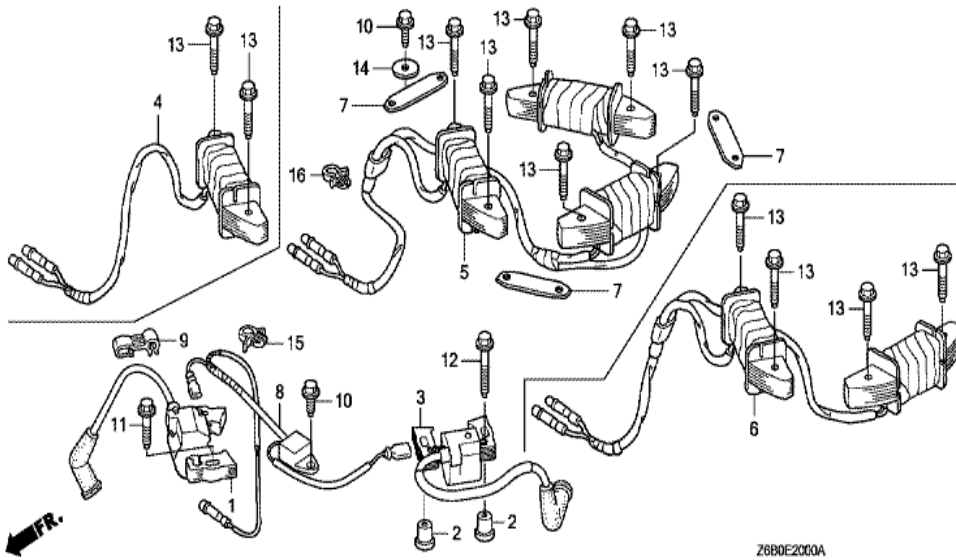


Z6B0E1900A

| Ref | Partnumber | Description | GXV520U | Serial Numbers |
|-----|---------------|----------------------------|---------|----------------|
| 001 | 19511-Z0A-000 | FAN, COOLING | 1 | |
| 002 | 19513-Z0A-000 | PLATE, COOLING FAN SETTING | 1 | |
| 004 | 31110-Z0A-800 | FLYWHEEL COMP. (6P) | 1 | |
| 004 | 31110-Z0A-800 | FLYWHEEL COMP. (6P) | 1 | |
| 005 | 90011-Z0A-000 | BOLT, FLANGE, 16X35 | 1 | |

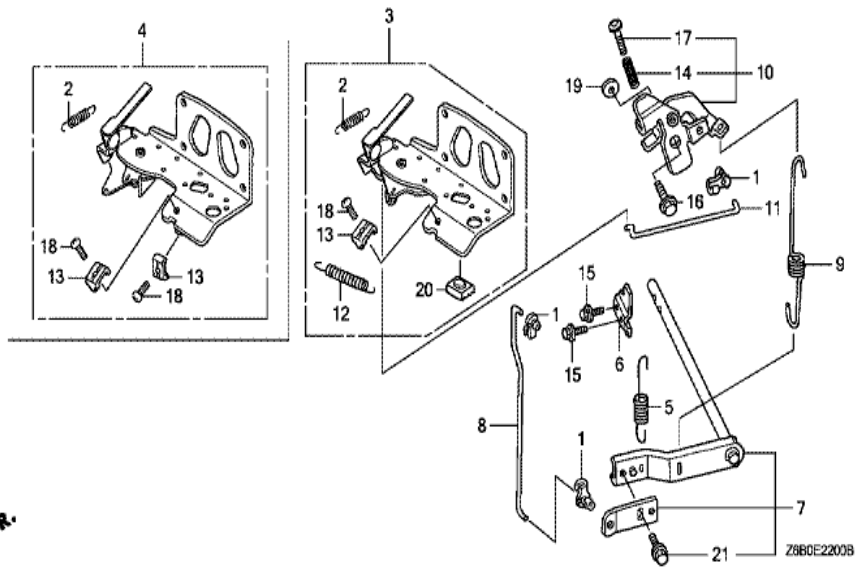


| <u>Ref</u> | <u>Partnumber</u> | <u>Description</u> | <u>GXV520U</u> | <u>Serial Numbers</u> |
|------------|-------------------|--------------------------------|----------------|-----------------------|
| 001 | 12100-ZOA-406 | CYLINDER COMP. | 2 | |
| 002 | 12209-422-005 | SEAL, VALVE STEM | 2 | |
| 003 | 12311-ZOA-000 | COVER, HEAD | 2 | |
| 005 | 17101-ZOA-000 | MANIFOLD, INTAKE | 1 | |
| 006 | 17151-ZOA-000 | PACKING, INTAKE MANIFOLD | 2 | |
| 007 | 19631-ZOA-000 | SHROUD | 2 | |
| 008 | 90013-883-000 | BOLT, FLANGE, 6X12 (CT200) | 8 | |
| 008 | 90013-883-000 | BOLT, FLANGE, 6X12 (CT200) | 10 | |
| 009 | 90016-ZE8-000 | BOLT, FLANGE, 6X45 (CT200) | 4 | |
| 010 | 90045-892-000 | BOLT, STUD, 6X28 (CT200) | 4 | |
| 011 | 90201-ZOA-000 | NUT, FLANGE, 8MM | 8 | |
| 013 | 95701-0603000 | BOLT, FLANGE, 6X30 | 2 | |
| 014 | 98079-54846 | PLUG, SPARK (BPR4ES) (NGK) | (2) | |
| <u>Ref</u> | <u>Partnumber</u> | <u>Description</u> | <u>GXV520U</u> | <u>Serial Numbers</u> |
| 014 | 98079-54855 | PLUG, SPARK (W14EPR-U) (DENSO) | (2) | |
| 014 | 98079-54855 | PLUG, SPARK (W14EPR-U) (DENSO) | (2) | |
| 014 | 98079-55846 | PLUG, SPARK (BPR5ES) (NGK) | 2 | |
| 014 | 98079-55846 | PLUG, SPARK (BPR5ES) (NGK) | 2 | |
| 014 | 98079-55855 | PLUG, SPARK (W16EPR-U) (DENSO) | 2 | |
| 014 | 98079-55855 | PLUG, SPARK (W16EPR-U) (DENSO) | 2 | |

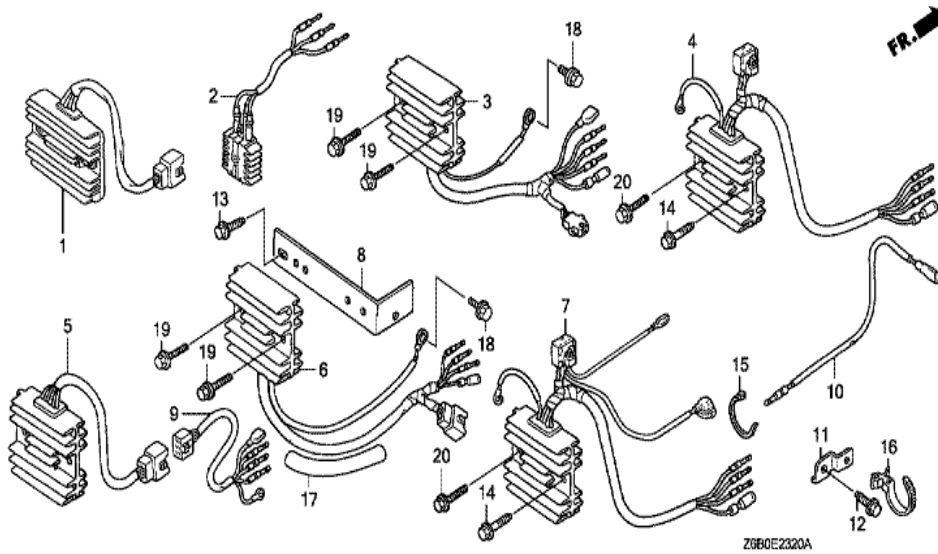


Z6B0E2000A

| <u>Ref</u> | <u>Partnumber</u> | <u>Description</u> | <u>GXV520U</u> | <u>Serial Numbers</u> |
|------------|-------------------|---------------------------------|----------------|-----------------------|
| 001 | 30500-ZOA-033 | COIL ASSY., IGNITION (#1) | 1 | |
| 002 | 30509-ZOA-000 | COLLAR, IGNITION COIL | 2 | |
| 003 | 30550-ZOA-033 | COIL ASSY., IGNITION (#2) | 1 | |
| 005 | 31630-ZOA-801 | COIL ASSY., CHARGE (12V/18A) | 1 | |
| 008 | 31740-ZOA-003 | DIODE ASSY., ENGINE STOP | 1 | |
| 009 | 32768-PJ7-000 | CLAMP, CENTER CORD | 1 | |
| 010 | 90013-883-000 | BOLT, FLANGE, 6X12 (CT200) | 2 | |
| 011 | 90015-883-000 | BOLT, FLANGE, 6X28 (CT200) | 1 | |
| 012 | 90016-ZE8-000 | BOLT, FLANGE, 6X45 (CT200) | 1 | |
| 013 | 90031-ZE1-000 | BOLT, FLANGE, 6X32 | 2 | |
| 013 | 90031-ZE1-000 | BOLT, FLANGE, 6X32 | 6 | |
| 014 | 90136-428-870 | WASHER, TANK SETTING | 1 | |
| 015 | 90654-SA4-003 | CLIP, WIRE HARNESS, 6MM (WHITE) | 1 | |
| <u>Ref</u> | <u>Partnumber</u> | <u>Description</u> | <u>GXV520U</u> | <u>Serial Numbers</u> |
| 016 | 90659-PG6-000 | CLIP, WIRE HARNESS | 1 | |

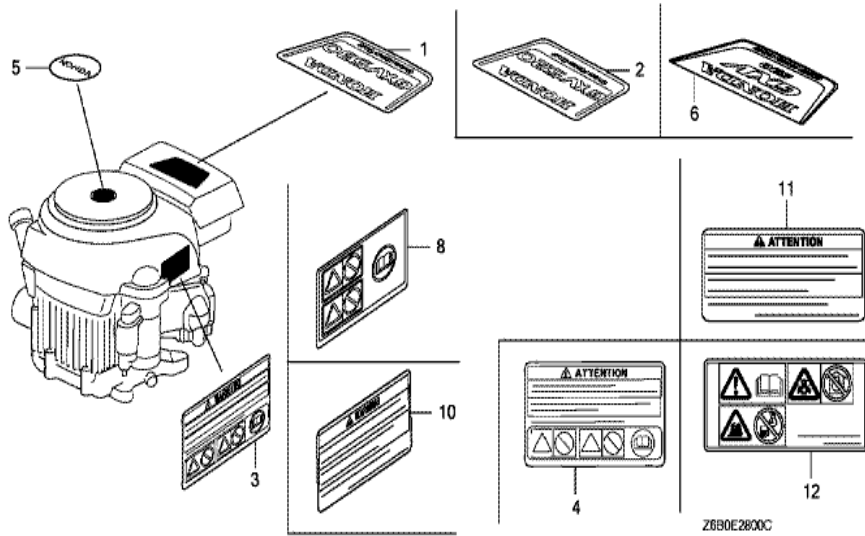


| <u>Ref</u> | <u>Partnumber</u> | <u>Description</u> | <u>GXV520U</u> | <u>Serial Numbers</u> |
|------------|-------------------|---------------------------|----------------|-----------------------|
| 001 | 16263-ZJ7-871 | ROD, JOINT | 3 | |
| 002 | 16268-Z0A-300 | SPRING, CHOKE RETURN | 1 | |
| 003 | 16500-Z0A-000 | CONTROL ASSY. (1-LEVER) | 1 | |
| 005 | 16534-Z0A-000 | SPRING, STARTER | 1 | |
| 006 | 16542-Z0A-000 | FORK, GOVERNOR | 1 | |
| 007 | 16550-Z0A-000 | ARM COMP., GOVERNOR | 1 | |
| 008 | 16555-Z0A-000 | ROD, GOVERNOR | 1 | |
| 009 | 16561-Z0A-000 | SPRING, GOVERNOR | 1 | |
| 010 | 16565-Z0A-000 | LINK COMP., GOVERNOR | 1 | |
| 011 | 16566-Z0A-000 | ROD, GOVERNOR LINK | 1 | |
| 012 | 16574-Z0A-300 | SPRING, LEVER | 1 | |
| 013 | 16576-891-000 | HOLDER, CABLE | 1 | |
| 014 | 16584-883-300 | SPRING, CONTROL ADJUSTING | 1 | |
| <u>Ref</u> | <u>Partnumber</u> | <u>Description</u> | <u>GXV520U</u> | <u>Serial Numbers</u> |
| 015 | 90002-892-000 | BOLT, FLANGE, 5X10 | 2 | |
| 016 | 90015-Z0A-000 | BOLT, FLANGE, 6MM (CT200) | 1 | |
| 017 | 90016-ZG9-N30 | SCREW, RECESSED, 5X25 | 1 | |
| 018 | 93500-050160A | SCREW, PAN, 5X16 | 1 | |
| 018 | 93500-050160A | SCREW, PAN, 5X16 | 1 | |
| 019 | 94101-06000 | WASHER, PLAIN, 6MM | 1 | |
| 020 | 95011-61000 | RUBBER A, STAND STOPPER | 1 | |
| 021 | 95701-0601000 | BOLT, FLANGE, 6X10 | 1 | |

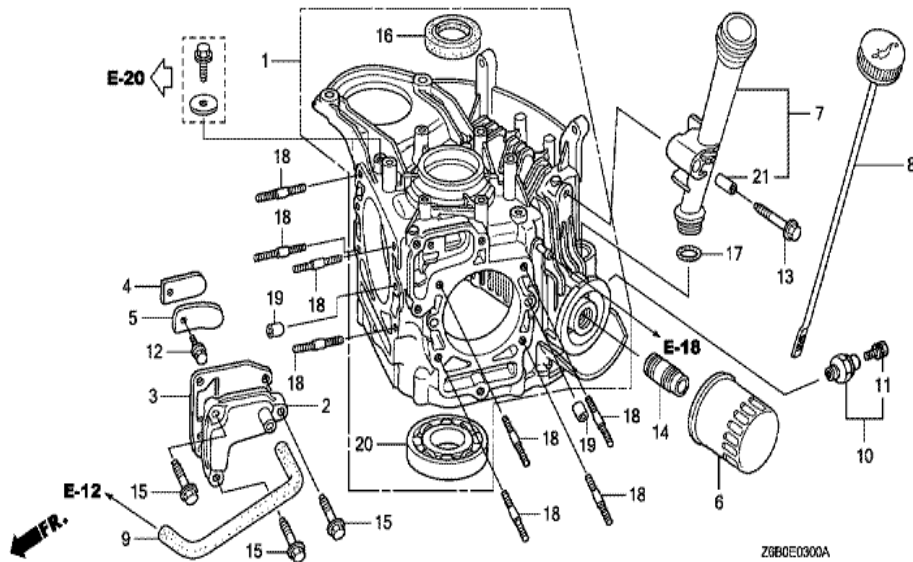


Z6B0E2320A

| Ref | Partnumber | Description | GXV520U | Serial Numbers |
|-----|---------------|----------------------------------|---------|----------------|
| 001 | 31620-ZG5-013 | RECTIFIER ASSY., REGULATOR (20A) | 1 | 1007757 |
| 001 | 31620-ZG5-013 | RECTIFIER ASSY., REGULATOR (20A) | (1) | |
| 009 | 32105-ZJ1-800 | HARNESS ASSY., SUB WIRE | 1 | |
| 009 | 32105-ZJ1-800 | HARNESS ASSY., SUB WIRE | (1) | |
| 010 | 32105-Z0A-000 | HARNESS ASSY., SUB WIRE | 1 | |

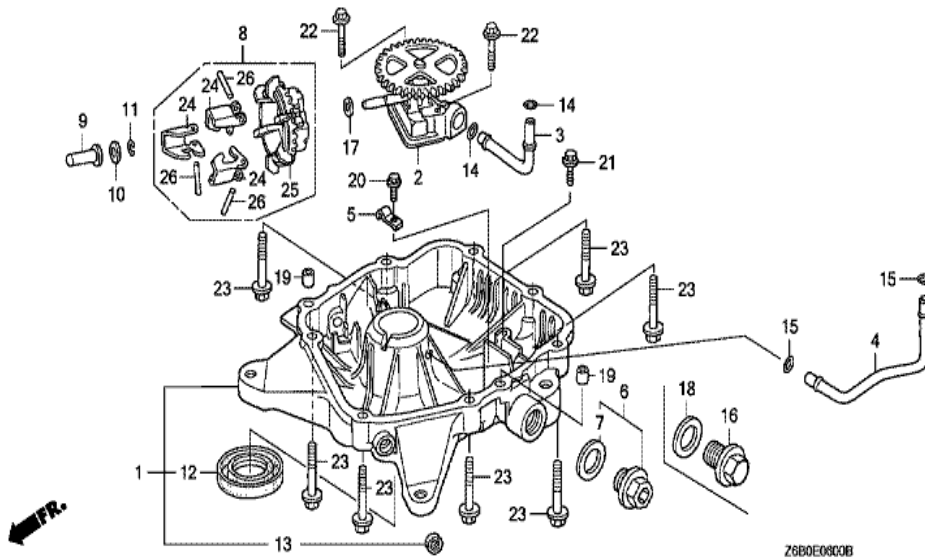


| Ref | Partnumber | Description | GXV520U | Serial Numbers |
|-----|---------------|--|---------|----------------|
| 002 | 87101-Z0R-010 | MARK, EMBLEM (GXV520) | 1 | |
| 003 | 87516-ZH7-000 | MARK, OPERATOR CAUTION (ENGLISH) (MADE I | 1 | |
| 003 | 87516-ZH7-810 | MARK, OPERATOR CAUTION (PICTOGRAPH) (MAD | (1) | |
| 004 | 87516-ZH7-800 | MARK, OPERATOR CAUTION (FRENCH) (MADE IN | 1 | 1012612 |
| 004 | 87516-ZH7-800 | MARK, OPERATOR CAUTION (FRENCH) (MADE IN | 1 | |
| 005 | 87531-Z0A-010 | MARK, HONDA | 1 | |
| 008 | 87516-ZH7-810 | MARK, OPERATOR CAUTION (PICTOGRAPH) (MAD | (1) | |

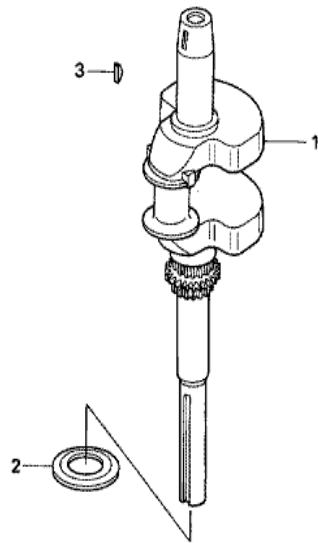


Z6BCE0300A

| Ref | Partnumber | Description | GXV520U | Serial Numbers |
|-----|---------------|---|---------|----------------|
| 001 | 11100-Z0A-417 | CRANKCASE ASSY. | 1 | |
| 001 | 11100-Z0A-417 | CRANKCASE ASSY. | 1 | |
| 002 | 12356-Z0A-000 | COVER, BREATHER | 1 | |
| 003 | 12358-Z0A-000 | PACKING, BREATHER COVER | 1 | |
| 004 | 12372-ZA0-701 | PLATE, VALVE | 1 | |
| 005 | 12374-Z0A-000 | STOPPER, VALVE | 1 | |
| 006 | 15400-PFB-004 | CARTRIDGE, OIL FILTER(TOYO ROKI) | 1 | |
| 006 | 15400-PLM-A01 | CARTRIDGE, OIL FILTER (FILTECH TOYO ROKI) | (1) | |
| 006 | 15400-PLM-A01 | CARTRIDGE, OIL FILTER (FILTECH TOYO ROKI) | (1) | |
| 006 | 15400-PLM-A02 | CARTRIDGE, OIL FILTER (HONEYWELL) | (1) | |
| 006 | 15400-PLM-A02 | CARTRIDGE, OIL FILTER (HONEYWELL) | (1) | |
| 007 | 15631-Z0A-000 | EXTENSION, OIL FILLER | 1 | |
| 008 | 15655-Z0A-000 | GAUGE COMP., OIL LEVEL | 1 | |
| Ref | Partnumber | Description | GXV520U | Serial Numbers |
| 009 | 15721-Z0A-000 | TUBE, BREATHER | 1 | |
| 012 | 90002-892-000 | BOLT, FLANGE, 5X10 | 1 | |
| 013 | 90016-ZE8-000 | BOLT, FLANGE, 6X45 (CT200) | 1 | |
| 014 | 90018-PN3-000 | HOLDER, OIL FILTER | 1 | |
| 015 | 90121-952-000 | BOLT, FLANGE, 6X25 (CT200) | 3 | |
| 016 | 91201-ZE3-004 | OIL SEAL, 35X52X8 | 1 | |
| 017 | 91301-ZE9-003 | O-RING, 22.1X2.2 | 1 | |
| 018 | 92900-080280E | BOLT, STUD, 8X28 | 8 | |
| 019 | 94301-08140 | DOWEL PIN, 8X14 | 4 | |
| 020 | 96100-6207000 | BEARING, RADIAL BALL, 6207 | 1 | |
| 021 | 15633-Z0A-300 | COLLAR, EXTENSION | 1 | |

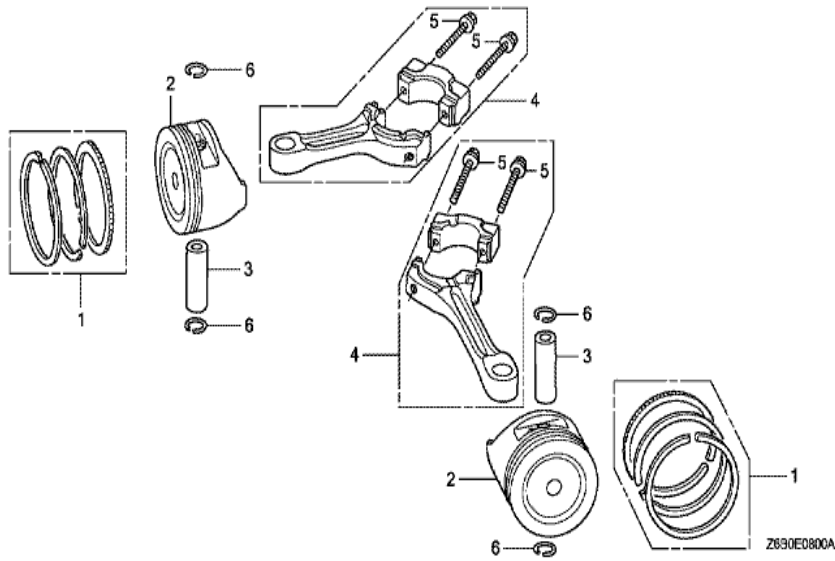


| <u>Ref</u> | <u>Partnumber</u> | <u>Description</u> | <u>GXV520U</u> | <u>Serial Numbers</u> |
|------------|-------------------|--------------------------|----------------|-----------------------|
| 001 | 11300-Z0A-010 | PAN ASSY., OIL | 1 | |
| 002 | 15100-Z0A-801 | PUMP ASSY., OIL | 1 | |
| 003 | 15161-Z0A-000 | PIPE, OIL PUMP | 1 | |
| 008 | 16510-Z0A-000 | GOVERNOR ASSY. | 1 | |
| 009 | 16531-Z0A-000 | SLIDER, GOVERNOR | 1 | |
| 010 | 90473-147-000 | WASHER, 6X16 | 1 | |
| 011 | 90602-ZE1-000 | CLIP, GOVERNOR HOLDER | 1 | |
| 012 | 91202-Z0A-003 | OIL SEAL, 31X50X8 | 1 | |
| 013 | 91206-333-003 | OIL SEAL, 10X16X4.5 | 1 | |
| 014 | 91301-Z0A-003 | O-RING, 7.5X2.3 | 2 | |
| 016 | 92800-20000 | BOLT, DRAIN PLUG, 20MM | 1 | |
| 017 | 94101-06800 | WASHER, PLAIN, 6MM | 1 | |
| 018 | 94109-20000 | WASHER, DRAIN PLUG, 20MM | 1 | |
| <u>Ref</u> | <u>Partnumber</u> | <u>Description</u> | <u>GXV520U</u> | <u>Serial Numbers</u> |
| 019 | 94301-08140 | DOWEL PIN, 8X14 | 2 | |
| 021 | 95701-0602200 | BOLT, FLANGE, 6X22 | 1 | |
| 022 | 95701-0603000 | BOLT, FLANGE, 6X30 | 2 | |
| 023 | 95701-0804000 | BOLT, FLANGE, 8X40 | 7 | |
| 024 | 16511-Z0A-000 | WEIGHT, GOVERNOR | 3 | |
| 025 | 16512-Z0A-000 | HOLDER, GOVERNOR WEIGHT | 1 | |
| 026 | 16513-ZE2-000 | PIN, GOVERNOR WEIGHT | 3 | |

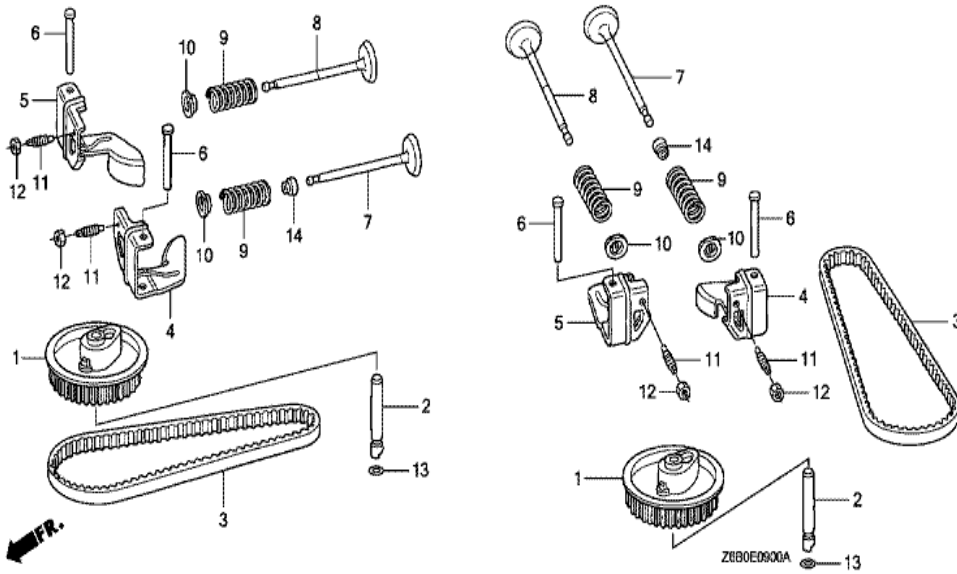


Z6B0-E0700

| Ref | Partnumber | Description | GXV520U | Serial Numbers |
|-----|---------------|------------------------------|---------|----------------|
| 001 | 13310-Z0A-000 | CRANKSHAFT COMP. | 1 | |
| 002 | 90401-Z0A-000 | WASHER, THRUST | 1 | |
| 003 | 90741-ZE2-000 | KEY, SPECIAL WOODRUFF, 25X18 | 1 | |



| Ref | Partnumber | Description | GXV520U | Serial Numbers |
|-----|---------------|-----------------------------------|---------|----------------|
| 001 | 13010-ZOA-003 | RING SET, PISTON (STD.) (NIPPON) | 2 | |
| 001 | 13010-ZOA-014 | RING SET, PISTON (STD.) (TEIKOKU) | 2 | 1068194 |
| 001 | 13010-ZOA-014 | RING SET, PISTON (STD.) (TEIKOKU) | 2 | |
| 002 | 13101-ZOA-800 | PISTON (STD.) | 2 | |
| 003 | 13111-ZJ1-840 | PIN, PISTON | 2 | |
| 004 | 13200-ZOA-003 | ROD ASSY., CONNECTING | 2 | |
| 005 | 90001-ZN1-000 | BOLT, CONNECTING ROD, 6X37 | 4 | |
| 006 | 90551-ZE1-000 | CLIP, PISTON PIN, 18MM | 4 | |



| <u>Ref</u> | <u>Partnumber</u> | <u>Description</u> | <u>GXV520U</u> | <u>Serial Numbers</u> |
|------------|-------------------|----------------------------|----------------|-----------------------|
| 001 | 14320-Z0A-000 | PULLEY COMP., CAMSHAFT | 2 | |
| 002 | 14324-ZL8-000 | SHAFT, CAM PULLEY | 2 | |
| 003 | 14400-Z0A-003 | BELT, TIMING (97HU8 G-200) | 2 | |
| 004 | 14431-Z0A-000 | ARM, IN. VALVE ROCKER | 2 | |
| 005 | 14441-Z0A-000 | ARM, EX. VALVE ROCKER | 2 | |
| 006 | 14461-Z0A-000 | SHAFT, ROCKER ARM | 4 | |
| 007 | 14711-Z0A-000 | VALVE, IN. | 2 | |
| 008 | 14721-Z0A-000 | VALVE, EX. | 2 | |
| 009 | 14751-ZE1-000 | SPRING, VALVE | 4 | |
| 010 | 14771-ZE1-000 | RETAINER, IN. VALVE SPRING | 4 | |
| 011 | 90012-333-000 | SCREW, TAPPET ADJUSTING | 4 | |
| 012 | 90206-001-000 | NUT, TAPPET ADJUSTING | 4 | |
| 013 | 91301-ZM0-V31 | O-RING, 6.8X1.9 (ARAI) | 2 | |
| <u>Ref</u> | <u>Partnumber</u> | <u>Description</u> | <u>GXV520U</u> | <u>Serial Numbers</u> |
| 014 | 12209-422-005 | SEAL, VALVE STEM | 2 | |