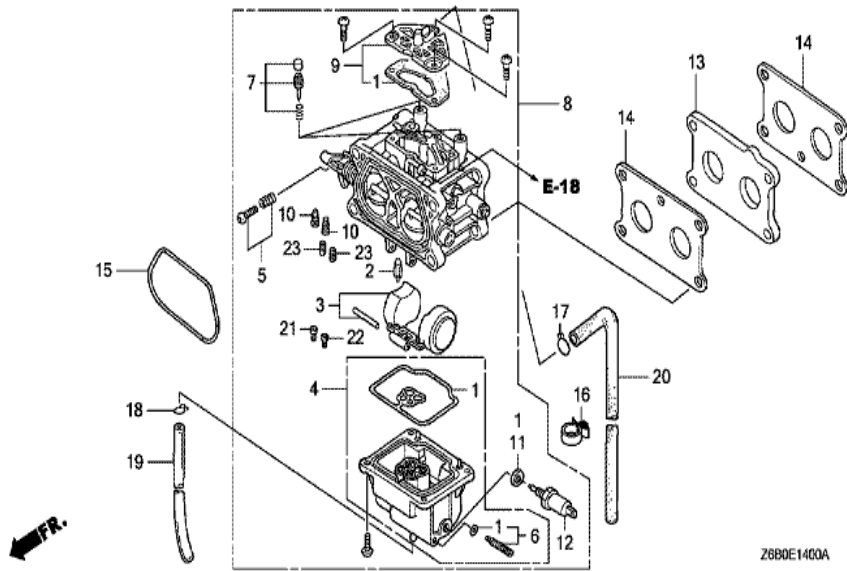


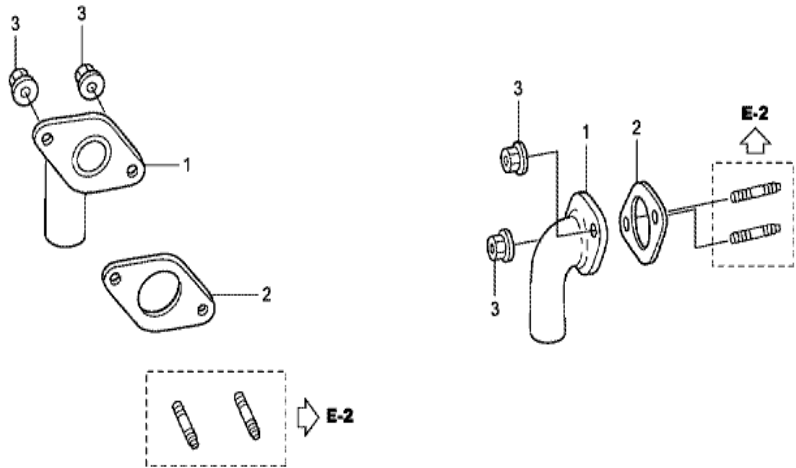
| Ref | Partnumber      | Description                   | GXV530U | Serial Numbers |
|-----|-----------------|-------------------------------|---------|----------------|
| 001 | 16711-ZOA-000   | STAY, FUEL PUMP               | 1       |                |
| 002 | 17211-ZOA-013   | ELEMENT, AIR CLEANER          | 1       |                |
| 003 | 17212-ZOA-000   | GRID, AIR CLEANER             | 1       |                |
| 004 | 17218-ZOA-810   | FILTER, OUTER                 | 1       |                |
| 005 | 17228-ZOA-003   | PACKING, AIR CLEANER          | 1       |                |
| 006 | 17229-ZOA-000   | SEAL, AIR CLEANER CASE        | 1       |                |
| 007 | 17231-ZOA-000   | COVER, AIR CLEANER            | 1       |                |
| 008 | 17238-ZJ4-830   | COLLAR A, AIR CLEANER         | 4       |                |
| 009 | 17410-ZOA-010   | ELBOW COMP., AIR CLEANER      | 1       |                |
| 009 | 17410-ZOA-010   | ELBOW COMP., AIR CLEANER      | 1       | 1008350        |
| 010 | 19611-ZOA-010ZA | COVER, FAN *NH1 *             | 1       |                |
| 011 | 19612-ZOA-000   | PLATE, SIDE                   | 1       |                |
| 017 | 28452-ZOA-810   | GRID, SCREEN (STIGA)          | 1       |                |
| Ref | Partnumber      | Description                   | GXV530U | Serial Numbers |
| 018 | 90004-ZOA-000   | BOLT, AIR CLEANER, 6MM        | 2       |                |
| 019 | 90013-ZL8-000   | BOLT, FLANGE, 6X14 (CT200)    | 2       |                |
| 020 | 90014-952-000   | BOLT, FLANGE, 6X14 (CT200)    | 1       |                |
| 020 | 90014-952-000   | BOLT, FLANGE, 6X14 (CT200)    | 2       |                |
| 021 | 90044-ZOA-000   | BOLT, L. STUD (IGNITION COIL) | 1       |                |
| 022 | 90045-ZOA-000   | BOLT, R. STUD (IGNITION COIL) | 1       |                |
| 023 | 90201-ZM0-000   | NUT, FLANGE, 6MM              | 2       |                |
| 024 | 93913-24410     | SCREW, TAPPING, 4X16 (PO)     | 4       |                |
| 027 | 94103-06800     | WASHER, PLAIN, 6MM            | 2       |                |
| 029 | 95701-0601200   | BOLT, FLANGE, 6X12            | 2       |                |
| 030 | 95801-0610000   | BOLT, FLANGE, 6X100           | 4       |                |
| 031 | 17410-Z6A-000   | ELBOW COMP., AIR CLEANER      | 1       |                |
| 031 | 17410-Z6A-000   | ELBOW COMP., AIR CLEANER      | 1       | 1008351        |
| 032 | 90634-ZL8-H00   | CAP, SEALING                  | 1       |                |
| 032 | 90634-ZL8-H00   | CAP, SEALING                  | 1       | 1008351        |
| 033 | 95002-02100     | CLIP, TUBE (B10)              | 1       |                |
| 033 | 95002-02100     | CLIP, TUBE (B10)              | 1       | 1008351        |



Z6B0E1400A

| Ref | Partnumber    | Description                | GXV530U | Serial Numbers |
|-----|---------------|----------------------------|---------|----------------|
| 001 | 16010-Z0A-802 | GASKET SET                 | 1       |                |
| 002 | 16011-Z0A-004 | VALVE, FLOAT               | 1       |                |
| 003 | 16013-Z0A-004 | FLOAT SET                  | 1       |                |
| 004 | 16015-Z0A-802 | CHAMBER SET, FLOAT         | 1       |                |
| 005 | 16016-Z0A-004 | SCREW SET                  | 1       |                |
| 006 | 16024-Z0A-004 | SCREW SET, DRAIN           | 1       |                |
| 007 | 16028-Z0A-004 | SCREW SET, PILOT           | 2       |                |
| 007 | 16028-Z0A-004 | SCREW SET, PILOT           | 2       |                |
| 008 | 16100-Z0A-815 | CARBURETOR ASSY. (BW02B C) | 1       |                |
| 009 | 16139-Z0A-004 | COVER SET, AIR VENT        | 1       |                |
| 010 | 16168-Z0A-004 | CAP                        | 2       |                |
| 011 | 16178-Z0A-802 | GASKET                     | 1       |                |
| 012 | 16200-Z0A-802 | VALVE ASSY., SOLENOID      | 1       |                |

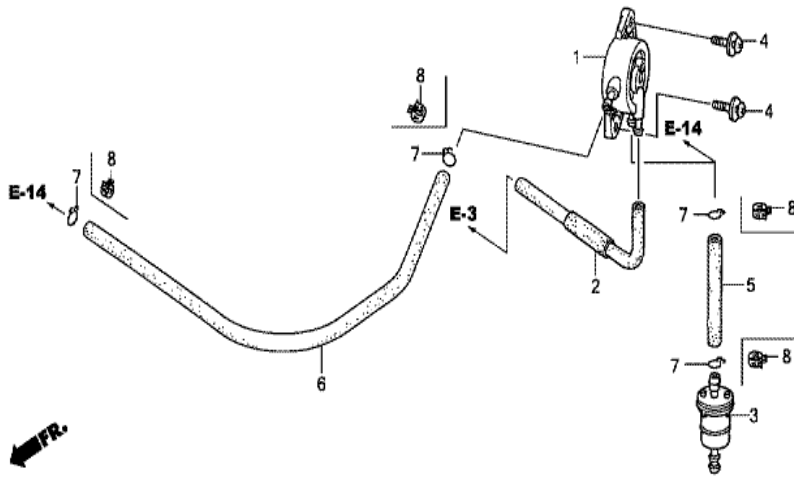
| <u>Ref</u> | <u>Partnumber</u> | <u>Description</u>                     | <u>GXV530U</u> | <u>Serial Numbers</u> |
|------------|-------------------|--|----------------|-----------------------|
| 013        | 16211-Z0A-000     | INSULATOR, CARBURETOR                  | 1              |                       |
| 014        | 16212-Z0A-000     | PACKING, INSULATOR                     | 2              |                       |
| 015        | 17228-Z0A-003     | PACKING, AIR CLEANER                   | 1              |                       |
| 016        | 90659-680-013     | CLIP, WIRE HARNESS                     | 1              |                       |
| 017        | 95002-02080       | CLIP, TUBE (B8)                        | 1              |                       |
| 018        | 95002-02650       | CLIP, TUBE (B6.5)                      | 1              |                       |
| 019        | 95003-0703031     | TUBE, VINYL, 4X7X300 (95003-07001-60M) | 1              |                       |
| 020        | 95005-4540020     | TUBE, 4.5X400 (95005-45001-20M)        | 1              |                       |
| 021        | 99131-Z0A0820     | JET, MAIN, #82.5                       | (1)            |                       |
| 021        | 99131-Z0A0820     | JET, MAIN, #82.5                       | (1)            |                       |
| 021        | 99131-Z0A0850     | JET, MAIN, #85                         | (1)            |                       |
| 021        | 99131-Z0A0850     | JET, MAIN, #85                         | (1)            |                       |
| 021        | 99131-Z0A0870     | JET, MAIN, #87.5                       | 1              |                       |
| 021        | 99131-Z0A0870     | JET, MAIN, #87.5                       | 1              |                       |
| 022        | 99131-Z0A0850     | JET, MAIN, #85                         | (1)            |                       |
| 022        | 99131-Z0A0850     | JET, MAIN, #85                         | (1)            |                       |
| 022        | 99131-Z0A0870     | JET, MAIN, #87.5                       | (1)            |                       |
| 022        | 99131-Z0A0870     | JET, MAIN, #87.5                       | (1)            |                       |
| 022        | 99131-Z0A0900     | JET, MAIN, #90                         | 1              |                       |
| 022        | 99131-Z0A0900     | JET, MAIN, #90                         | 1              |                       |
| 023        | 99134-Z0A0370     | JET, PILOT, #37.5                      | 2              |                       |



←FR.

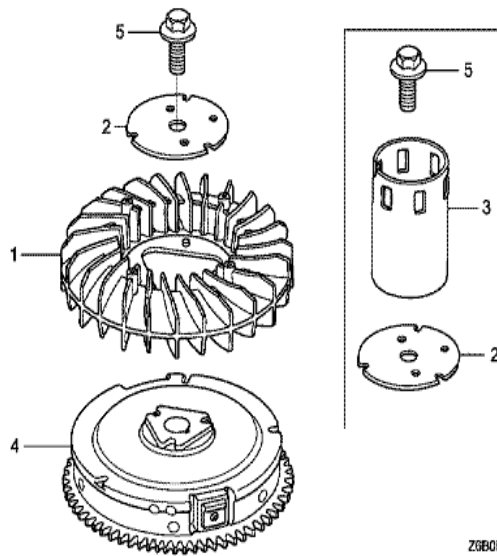
Z6B0E100A

| Ref | Partnumber    | Description      | GXV530U | Serial Numbers |
|-----|---------------|------------------|---------|----------------|
| 002 | 18333-Z0A-000 | GASKET, EX. PIPE | 2       |                |
| 003 | 94050-06000   | NUT, FLANGE, 6MM | 4       |                |



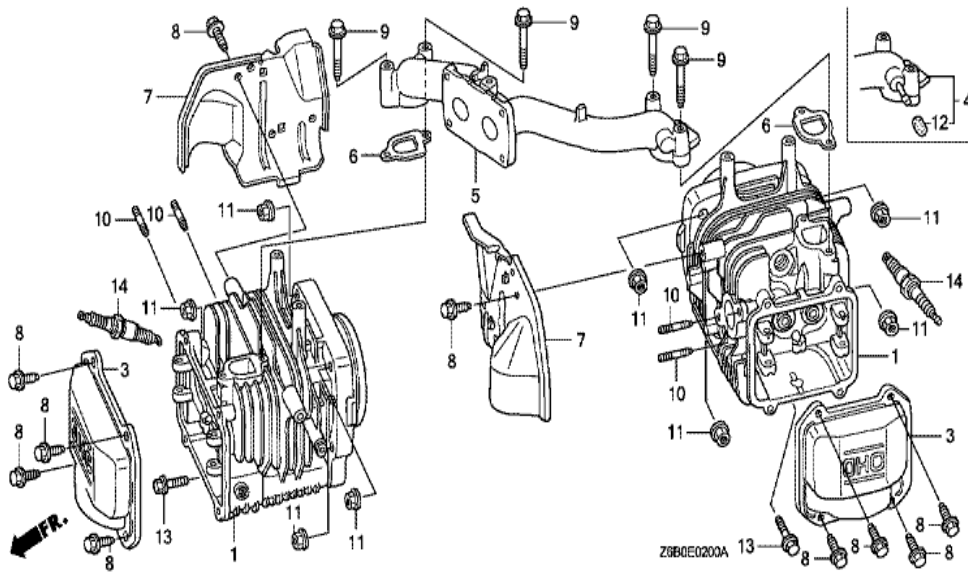
Z690E18008

| Ref | Partnumber    | Description                           | GXV530U | Serial Numbers |
|-----|---------------|---------------------------------------|---------|----------------|
| 001 | 16700-ZL8-013 | PUMP ASSY., FUEL                      | 1       |                |
| 002 | 16882-Z0A-000 | TUBE, DIAPHRAGM                       | 1       |                |
| 003 | 16910-Z6L-003 | STRAINER COMP., FUEL                  | 1       | 1013512        |
| 003 | 16910-ZV4-015 | STRAINER COMP., FUEL                  | 1       | 1013511        |
| 004 | 93894-0501600 | SCREW-WASHER, 5X16                    | 2       |                |
| 005 | 91425-Z5Y-801 | TUBE, FUEL, 5.3X100 (FKM)             | 1       | 1001842        |
| 005 | 91425-Z5Y-801 | TUBE, FUEL, 5.3X100 (FKM)             | 1       | 1001842        |
| 005 | 91425-Z5Y-802 | TUBE, FUEL, 5.3X100 (FKM)             | 1       |                |
| 005 | 91425-Z5Y-802 | TUBE, FUEL, 5.3X100 (FKM)             | 1       | 1010307        |
| 005 | 95001-5510040 | TUBE, FUEL, 5.3X100 (95001-55001-60M) | 1       | 1001841        |
| 005 | 95001-5510040 | TUBE, FUEL, 5.3X100 (95001-55001-60M) | 1       | 1001841        |
| 006 | 91425-Z5Y-811 | TUBE, FUEL, 5.3X350 (FKM)             | 1       | 1001842        |
| 006 | 91425-Z5Y-811 | TUBE, FUEL, 5.3X350 (FKM)             | 1       | 1001842        |
|     |               |                                       |         | 1010306        |
| Ref | Partnumber    | Description                           | GXV530U | Serial Numbers |
| 006 | 91425-Z5Y-812 | TUBE, FUEL, 5.3X350 (FKM)             | 1       | 1010307        |
| 006 | 91425-Z5Y-812 | TUBE, FUEL, 5.3X350 (FKM)             | 1       | 1010307        |
| 006 | 95001-5535040 | TUBE, FUEL, 5.3X350 (95001-55001-60M) | 1       | 1001841        |
| 006 | 95001-5535040 | TUBE, FUEL, 5.3X350 (95001-55001-60M) | 1       | 1001841        |
| 007 | 95002-02100   | CLIP, TUBE (B10)                      | 2       |                |
| 007 | 95002-02100   | CLIP, TUBE (B10)                      | 4       | 1001841        |
| 008 | 95002-4100008 | CLAMP, TUBE (D10)                     | 2       |                |
| 008 | 95002-4100008 | CLAMP, TUBE (D10)                     | 4       | 1001842        |

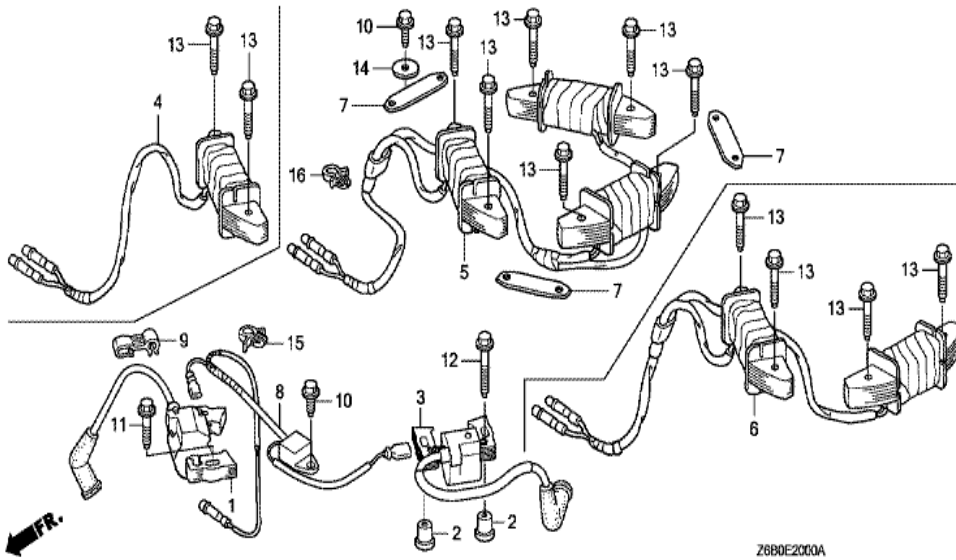


Z6B0E1900A

| Ref | Partnumber    | Description                | GXV530U | Serial Numbers |
|-----|---------------|----------------------------|---------|----------------|
| 001 | 19511-Z0A-000 | FAN, COOLING               | 1       |                |
| 002 | 19513-Z0A-000 | PLATE, COOLING FAN SETTING | 1       |                |
| 004 | 31110-Z0A-800 | FLYWHEEL COMP. (6P)        | 1       |                |
| 004 | 31110-Z0A-800 | FLYWHEEL COMP. (6P)        | 1       |                |
| 005 | 90011-Z0A-000 | BOLT, FLANGE, 16X35        | 1       |                |



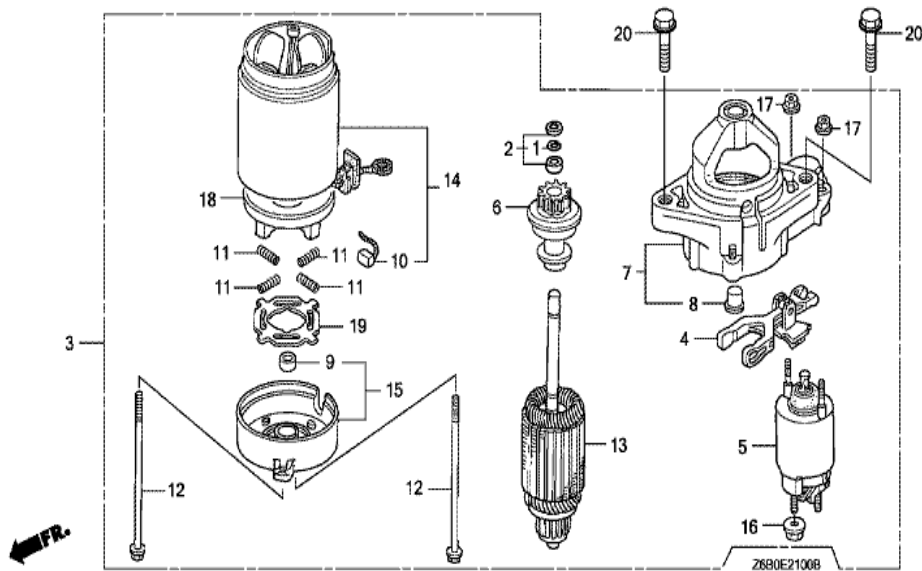
| <u>Ref</u> | <u>Partnumber</u> | <u>Description</u>             | <u>GXV530U</u> | <u>Serial Numbers</u> |
|------------|-------------------|--------------------------------|----------------|-----------------------|
| 001        | 12100-ZOA-406     | CYLINDER COMP.                 | 2              |                       |
| 002        | 12209-422-005     | SEAL, VALVE STEM               | 2              |                       |
| 003        | 12311-ZOA-000     | COVER, HEAD                    | 2              |                       |
| 005        | 17101-ZOA-000     | MANIFOLD, INTAKE               | 1              |                       |
| 006        | 17151-ZOA-000     | PACKING, INTAKE MANIFOLD       | 2              |                       |
| 007        | 19631-ZOA-000     | SHROUD                         | 2              |                       |
| 008        | 90013-883-000     | BOLT, FLANGE, 6X12 (CT200)     | 8              |                       |
| 008        | 90013-883-000     | BOLT, FLANGE, 6X12 (CT200)     | 10             |                       |
| 009        | 90016-ZE8-000     | BOLT, FLANGE, 6X45 (CT200)     | 4              |                       |
| 010        | 90045-892-000     | BOLT, STUD, 6X28 (CT200)       | 4              |                       |
| 011        | 90201-ZOA-000     | NUT, FLANGE, 8MM               | 8              |                       |
| 013        | 95701-0603000     | BOLT, FLANGE, 6X30             | 2              |                       |
| 014        | 98079-54846       | PLUG, SPARK (BPR4ES) (NGK)     | (2)            |                       |
| <u>Ref</u> | <u>Partnumber</u> | <u>Description</u>             | <u>GXV530U</u> | <u>Serial Numbers</u> |
| 014        | 98079-54855       | PLUG, SPARK (W14EPR-U) (DENSO) | (2)            |                       |
| 014        | 98079-54855       | PLUG, SPARK (W14EPR-U) (DENSO) | (2)            |                       |
| 014        | 98079-55846       | PLUG, SPARK (BPR5ES) (NGK)     | 2              |                       |
| 014        | 98079-55846       | PLUG, SPARK (BPR5ES) (NGK)     | 2              |                       |
| 014        | 98079-55855       | PLUG, SPARK (W16EPR-U) (DENSO) | 2              |                       |
| 014        | 98079-55855       | PLUG, SPARK (W16EPR-U) (DENSO) | 2              |                       |



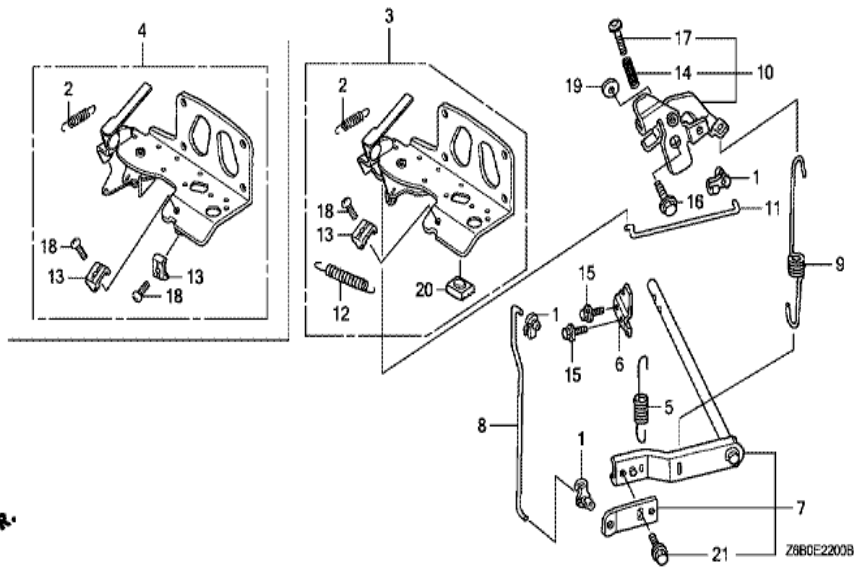
2680E2000A

| Ref | Partnumber    | Description                     | GXV530U | Serial Numbers |
|-----|---------------|---------------------------------|---------|----------------|
| 001 | 30500-ZOA-033 | COIL ASSY., IGNITION (#1)       | 1       |                |
| 002 | 30509-ZOA-000 | COLLAR, IGNITION COIL           | 2       |                |
| 003 | 30550-ZOA-033 | COIL ASSY., IGNITION (#2)       | 1       |                |
| 005 | 31630-ZOA-801 | COIL ASSY., CHARGE (12V/18A)    | 1       |                |
| 007 | 31635-ZOA-000 | PLATE, COIL SETTING             | 3       |                |
| 008 | 31740-ZOA-003 | DIODE ASSY., ENGINE STOP        | 1       |                |
| 009 | 32768-PJ7-000 | CLAMP, CENTER CORD              | 1       |                |
| 010 | 90013-883-000 | BOLT, FLANGE, 6X12 (CT200)      | 2       |                |
| 011 | 90015-883-000 | BOLT, FLANGE, 6X28 (CT200)      | 1       |                |
| 012 | 90016-ZE8-000 | BOLT, FLANGE, 6X45 (CT200)      | 1       |                |
| 013 | 90031-ZE1-000 | BOLT, FLANGE, 6X32              | 2       |                |
| 013 | 90031-ZE1-000 | BOLT, FLANGE, 6X32              | 6       |                |
| 014 | 90136-428-870 | WASHER, TANK SETTING            | 1       |                |
| Ref | Partnumber    | Description                     | GXV530U | Serial Numbers |
| 015 | 90654-SA4-003 | CLIP, WIRE HARNESS, 6MM (WHITE) | 1       |                |
| 016 | 90659-PG6-000 | CLIP, WIRE HARNESS              | 1       |                |

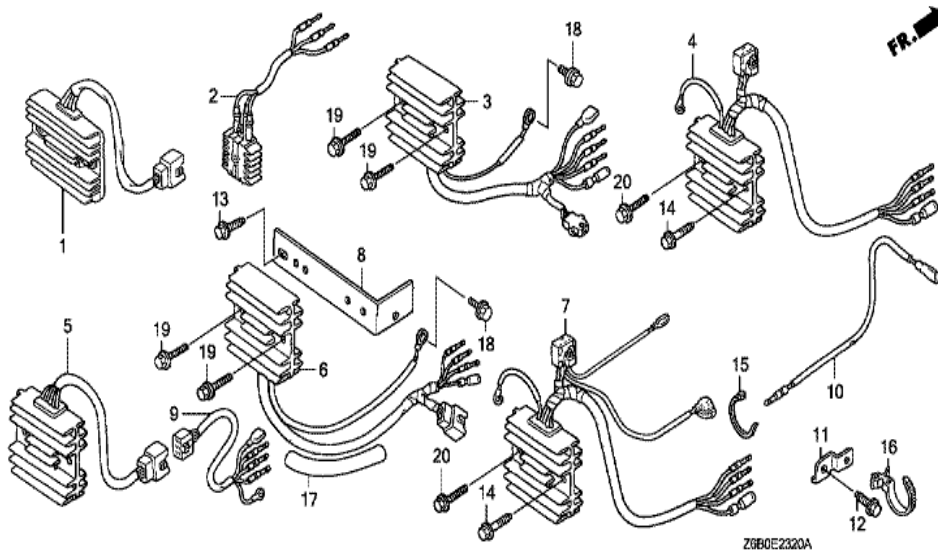




| <u>Ref</u> | <u>Partnumber</u> | <u>Description</u>          | <u>GXV530U</u> | <u>Serial Numbers</u> |
|------------|-------------------|-----------------------------|----------------|-----------------------|
| 001        | 30201-PH9-004     | RING, SNAP (DENSO)          | 1              |                       |
| 002        | 30202-PZ1-003     | COLLAR SET, CLUTCH STOP     | 1              |                       |
| 003        | 31200-Z0A-003     | MOTOR ASSY., STARTER        | 1              |                       |
| 003        | 31200-Z0A-003     | MOTOR ASSY., STARTER        | 1              | 1007757               |
| 003        | 31200-Z0A-013     | MOTOR ASSY., STARTER        | 1              | 1007758               |
| 003        | 31200-Z0A-013     | MOTOR ASSY., STARTER        | 1              | 1007758               |
| 004        | 31203-PH9-004     | LEVER, PINION DRIVE         | 1              |                       |
| 004        | 31203-PH9-004     | LEVER, PINION DRIVE         | 1              | 1007757               |
| 005        | 31204-Z0A-013     | SWITCH ASSY., MAGNET        | 1              | 1007758               |
| 005        | 31204-ZG4-801     | SWITCH ASSY., MAGNET        | 1              | 1007757               |
| 005        | 31204-ZG4-801     | SWITCH ASSY., MAGNET        | 1              | 1007757               |
| 006        | 31207-Z0A-003     | CLUTCH COMP., OVERRUNNING   | 1              |                       |
| 007        | 31208-Z0A-003     | HOUSING COMP., DRIVE SIDE   | 1              |                       |
| <u>Ref</u> | <u>Partnumber</u> | <u>Description</u>          | <u>GXV530U</u> | <u>Serial Numbers</u> |
| 008        | 31209-PH9-004     | BEARING A                   | 1              |                       |
| 009        | 31210-PH9-004     | BEARING B                   | 1              |                       |
| 009        | 31210-PH9-004     | BEARING B                   | 1              | 1007757               |
| 010        | 31211-PH9-004     | BRUSH                       | 4              |                       |
| 011        | 31212-PH9-004     | SPRING, BRUSH               | 4              |                       |
| 012        | 31214-PH9-004     | BOLT, THROUGH               | 2              |                       |
| 013        | 31217-Z0A-003     | ARMATURE COMP.              | 1              |                       |
| 014        | 31218-P64-N01     | YOKE COMP.                  | 1              |                       |
| 014        | 31218-P64-N01     | YOKE COMP.                  | 1              | 1007757               |
| 014        | 31218-PH9-004     | YOKE COMP.                  | 1              | 1007758               |
| 014        | 31218-PH9-004     | YOKE COMP.                  | 1              | 1007758               |
| 015        | 31219-Z0A-003     | FRAME COMP., COMMUTATOR END | 1              |                       |
| 016        | 31220-PH9-004     | NUT, HEX., 8MM              | 1              |                       |
| 017        | 31223-PA0-006     | NUT, HEX.                   | 2              |                       |
| 018        | 31231-PH9-004     | HOLDER, BRUSH               | 1              |                       |
| 019        | 31233-PH9-004     | INSULATOR, BRUSH HOLDER     | 1              |                       |
| 020        | 95701-1004000     | BOLT, FLANGE, 10X40         | 2              |                       |

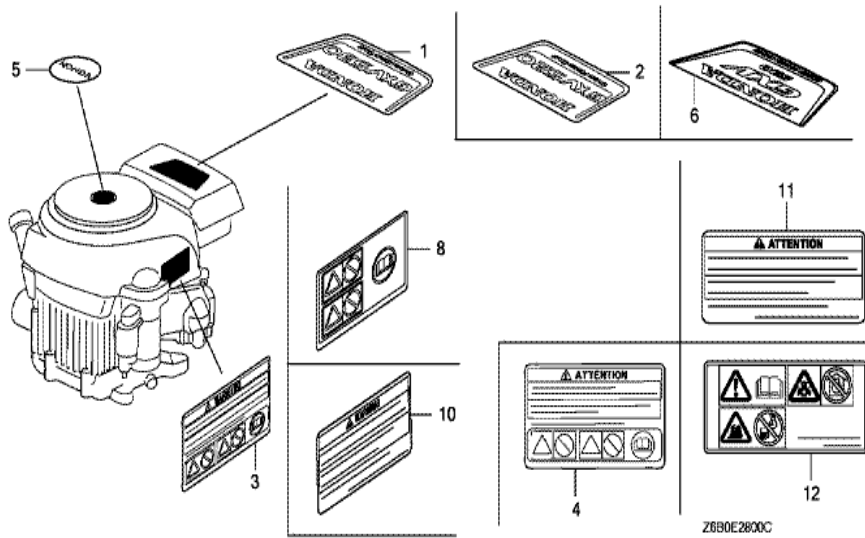


| <u>Ref</u> | <u>Partnumber</u> | <u>Description</u>        | <u>GXV530U</u> | <u>Serial Numbers</u> |
|------------|-------------------|---------------------------|----------------|-----------------------|
| 001        | 16263-ZJ7-871     | ROD, JOINT                | 3              |                       |
| 002        | 16268-Z0A-300     | SPRING, CHOKE RETURN      | 1              |                       |
| 003        | 16500-Z0A-000     | CONTROL ASSY. (1-LEVER)   | 1              |                       |
| 005        | 16534-Z0A-000     | SPRING, STARTER           | 1              |                       |
| 006        | 16542-Z0A-000     | FORK, GOVERNOR            | 1              |                       |
| 007        | 16550-Z0A-000     | ARM COMP., GOVERNOR       | 1              |                       |
| 008        | 16555-Z0A-000     | ROD, GOVERNOR             | 1              |                       |
| 009        | 16561-Z0A-000     | SPRING, GOVERNOR          | 1              |                       |
| 010        | 16565-Z0A-000     | LINK COMP., GOVERNOR      | 1              |                       |
| 011        | 16566-Z0A-000     | ROD, GOVERNOR LINK        | 1              |                       |
| 012        | 16574-Z0A-300     | SPRING, LEVER             | 1              |                       |
| 013        | 16576-891-000     | HOLDER, CABLE             | 1              |                       |
| 014        | 16584-883-300     | SPRING, CONTROL ADJUSTING | 1              |                       |
| <u>Ref</u> | <u>Partnumber</u> | <u>Description</u>        | <u>GXV530U</u> | <u>Serial Numbers</u> |
| 015        | 90002-892-000     | BOLT, FLANGE, 5X10        | 2              |                       |
| 016        | 90015-Z0A-000     | BOLT, FLANGE, 6MM (CT200) | 1              |                       |
| 017        | 90016-ZG9-N30     | SCREW, RECESSED, 5X25     | 1              |                       |
| 018        | 93500-050160A     | SCREW, PAN, 5X16          | 1              |                       |
| 018        | 93500-050160A     | SCREW, PAN, 5X16          | 1              |                       |
| 019        | 94101-06000       | WASHER, PLAIN, 6MM        | 1              |                       |
| 020        | 95011-61000       | RUBBER A, STAND STOPPER   | 1              |                       |
| 021        | 95701-0601000     | BOLT, FLANGE, 6X10        | 1              |                       |

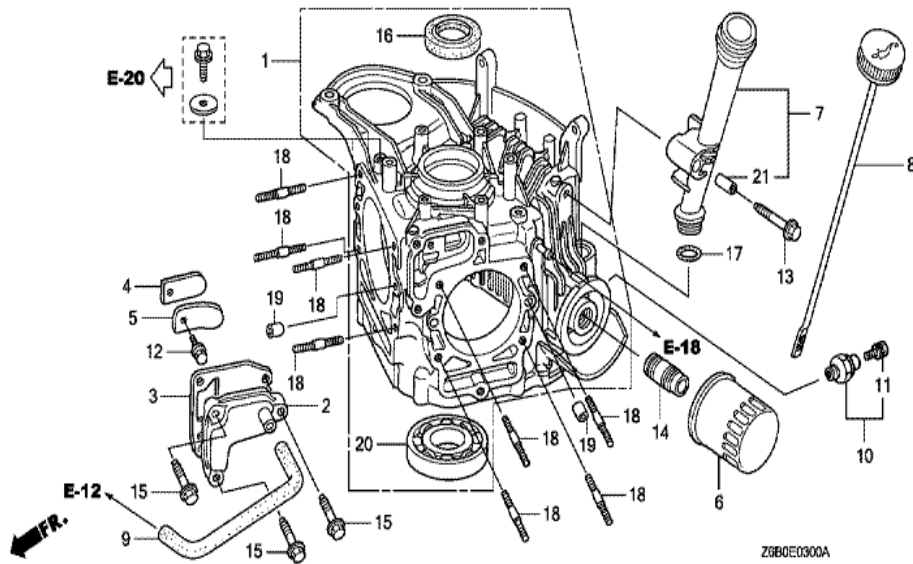


Z6B0E2320A

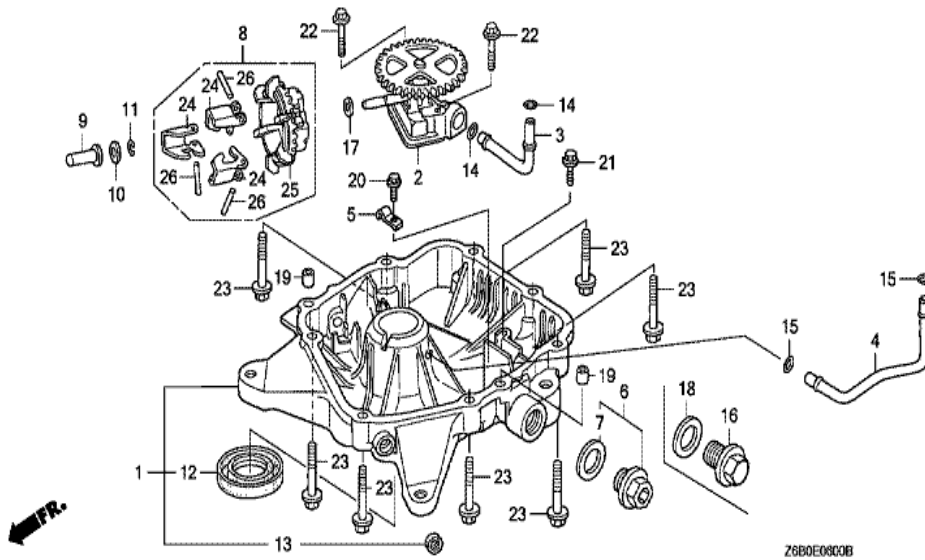
| Ref | Partnumber    | Description                      | GXV530U | Serial Numbers |
|-----|---------------|----------------------------------|---------|----------------|
| 001 | 31620-ZG5-013 | RECTIFIER ASSY., REGULATOR (20A) | 1       | 1007757        |
| 001 | 31620-ZG5-033 | RECTIFIER ASSY., REGULATOR (20A) | 1       | 1007758        |
| 001 | 31620-ZG5-033 | RECTIFIER ASSY., REGULATOR (20A) | 1       | 1007758        |
| 009 | 32105-ZJ1-800 | HARNESS ASSY., SUB WIRE          | 1       |                |
| 010 | 32105-Z0A-000 | HARNESS ASSY., SUB WIRE          | 1       |                |



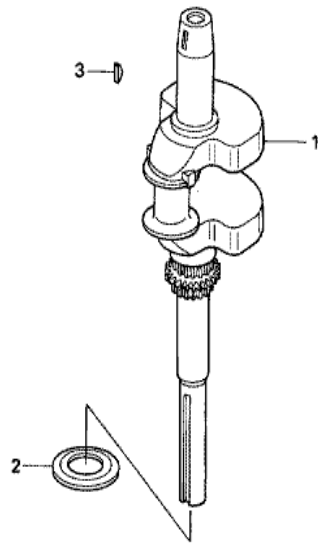
| Ref | Partnumber    | Description                              | GXV530U | Serial Numbers |
|-----|---------------|--|---------|----------------|
| 003 | 87516-ZH7-000 | MARK, OPERATOR CAUTION (ENGLISH) (MADE I | 1       |                |
| 003 | 87516-ZH7-000 | MARK, OPERATOR CAUTION (ENGLISH) (MADE I | 1       | 1012612        |
| 003 | 87516-ZH7-810 | MARK, OPERATOR CAUTION (PICTOGRAPH) (MAD | (1)     |                |
| 004 | 87516-ZH7-800 | MARK, OPERATOR CAUTION (FRENCH) (MADE IN | 1       | 1012612        |
| 004 | 87516-ZH7-800 | MARK, OPERATOR CAUTION (FRENCH) (MADE IN | 1       | 1012612        |
| 008 | 87516-ZH7-810 | MARK, OPERATOR CAUTION (PICTOGRAPH) (MAD | (1)     |                |
| 008 | 87516-ZH7-810 | MARK, OPERATOR CAUTION (PICTOGRAPH) (MAD | (1)     | 1012612        |
| 010 | 87516-ZH7-010 | MARK, OPERATOR CAUTION (ENGLISH) (MADE I | 1       | 1012613        |
| 011 | 87516-ZH7-801 | MARK, OPERATOR CAUTION (FRENCH) (MADE IN | 1       | 1012613        |
| 011 | 87516-ZH7-801 | MARK, OPERATOR CAUTION (FRENCH) (MADE IN | 1       | 1012613        |
| 012 | 87519-ZH7-000 | MARK, OPERATOR CAUTION (PICTOGRAPH)      | 1       | 1012613        |



| Ref | Partnumber    | Description                       | GXV530U | Serial Numbers |
|-----|---------------|-----------------------------------|---------|----------------|
| 001 | 11100-ZOA-417 | CRANKCASE ASSY.                   | 1       |                |
| 001 | 11100-ZOA-417 | CRANKCASE ASSY.                   | 1       |                |
| 002 | 12356-ZOA-000 | COVER, BREATHER                   | 1       |                |
| 003 | 12358-ZOA-000 | PACKING, BREATHER COVER           | 1       |                |
| 004 | 12372-ZA0-701 | PLATE, VALVE                      | 1       |                |
| 005 | 12374-ZOA-000 | STOPPER, VALVE                    | 1       |                |
| 006 | 15400-PFB-004 | CARTRIDGE, OIL FILTER(TOYO ROKI)  | 1       |                |
| 006 | 15400-PFB-004 | CARTRIDGE, OIL FILTER(TOYO ROKI)  | 1       | 1001030        |
| 006 | 15400-PFB-014 | CARTRIDGE, OIL FILTER (TOYO ROKI) | 1       | 1001031        |
| 006 | 15400-PFB-014 | CARTRIDGE, OIL FILTER (TOYO ROKI) | 1       | 1001031        |
| 007 | 15631-ZOA-000 | EXTENSION, OIL FILLER             | 1       |                |
| 008 | 15655-ZOA-000 | GAUGE COMP., OIL LEVEL            | 1       |                |
| 009 | 15721-ZOA-000 | TUBE, BREATHER                    | 1       |                |
| Ref | Partnumber    | Description                       | GXV530U | Serial Numbers |
| 012 | 90002-892-000 | BOLT, FLANGE, 5X10                | 1       |                |
| 013 | 90016-ZE8-000 | BOLT, FLANGE, 6X45 (CT200)        | 1       |                |
| 014 | 90018-PN3-000 | HOLDER, OIL FILTER                | 1       |                |
| 015 | 90121-952-000 | BOLT, FLANGE, 6X25 (CT200)        | 3       |                |
| 016 | 91201-ZE3-004 | OIL SEAL, 35X52X8                 | 1       |                |
| 017 | 91301-ZE9-003 | O-RING, 22.1X2.2                  | 1       |                |
| 018 | 92900-080280E | BOLT, STUD, 8X28                  | 8       |                |
| 019 | 94301-08140   | DOWEL PIN, 8X14                   | 4       |                |
| 020 | 96100-6207000 | BEARING, RADIAL BALL, 6207        | 1       |                |
| 021 | 15633-ZOA-300 | COLLAR, EXTENSION                 | 1       |                |



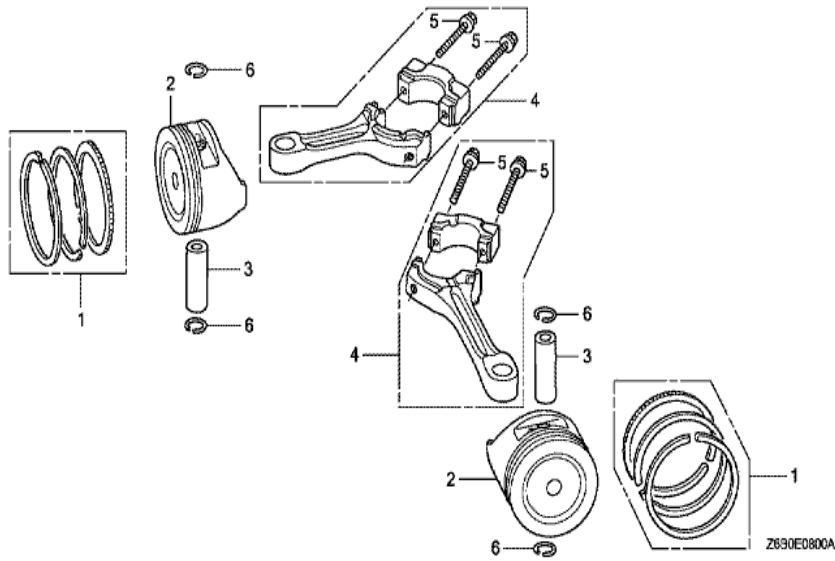
| <u>Ref</u> | <u>Partnumber</u> | <u>Description</u>      | <u>GXV530U</u> | <u>Serial Numbers</u> |
|------------|-------------------|-------------------------|----------------|-----------------------|
| 001        | 11300-Z0A-811     | PAN ASSY., OIL          | 1              |                       |
| 001        | 11300-Z0A-811     | PAN ASSY., OIL          | 1              |                       |
| 002        | 15100-Z0A-801     | PUMP ASSY., OIL         | 1              |                       |
| 003        | 15161-Z0A-000     | PIPE, OIL PUMP          | 1              |                       |
| 006        | 15550-Z0A-810     | CAP ASSY., DRAIN        | 1              |                       |
| 006        | 15550-Z0A-810     | CAP ASSY., DRAIN        | 1              |                       |
| 007        | 15625-ZE1-003     | PACKING, OIL FILLER CAP | 1              |                       |
| 008        | 16510-Z0A-000     | GOVERNOR ASSY.          | 1              |                       |
| 009        | 16531-Z0A-000     | SLIDER, GOVERNOR        | 1              |                       |
| 010        | 90473-147-000     | WASHER, 6X16            | 1              |                       |
| 011        | 90602-ZE1-000     | CLIP, GOVERNOR HOLDER   | 1              |                       |
| 012        | 91202-Z0A-003     | OIL SEAL, 31X50X8       | 1              |                       |
| 013        | 91206-333-003     | OIL SEAL, 10X16X4.5     | 1              |                       |
| <u>Ref</u> | <u>Partnumber</u> | <u>Description</u>      | <u>GXV530U</u> | <u>Serial Numbers</u> |
| 014        | 91301-Z0A-003     | O-RING, 7.5X2.3         | 2              |                       |
| 017        | 94101-06800       | WASHER, PLAIN, 6MM      | 1              |                       |
| 019        | 94301-08140       | DOWEL PIN, 8X14         | 2              |                       |
| 021        | 95701-0602200     | BOLT, FLANGE, 6X22      | 1              |                       |
| 022        | 95701-0603000     | BOLT, FLANGE, 6X30      | 2              |                       |
| 023        | 95701-0804000     | BOLT, FLANGE, 8X40      | 7              |                       |
| 024        | 16511-Z0A-000     | WEIGHT, GOVERNOR        | 3              |                       |
| 025        | 16512-Z0A-000     | HOLDER, GOVERNOR WEIGHT | 1              |                       |
| 026        | 16513-ZE2-000     | PIN, GOVERNOR WEIGHT    | 3              |                       |



FR.

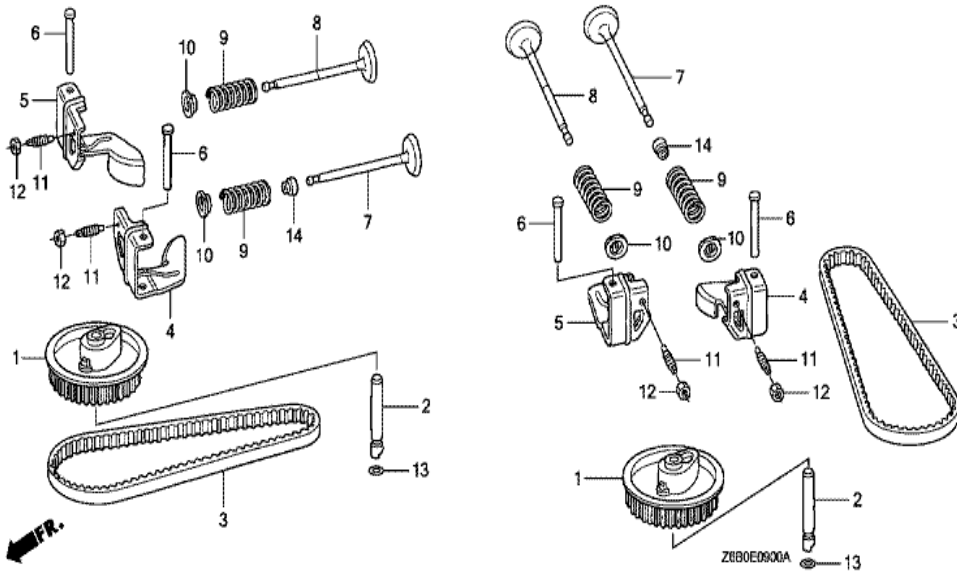
Z6B0-E0700

| Ref | Partnumber    | Description                  | GXV530U | Serial Numbers |
|-----|---------------|------------------------------|---------|----------------|
| 001 | 13310-Z0A-000 | CRANKSHAFT COMP.             | 1       |                |
| 002 | 90401-Z0A-000 | WASHER, THRUST               | 1       |                |
| 003 | 90741-ZE2-000 | KEY, SPECIAL WOODRUFF, 25X18 | 1       |                |



| <u>Ref</u> | <u>Partnumber</u> | <u>Description</u>                | <u>GXV530U</u> | <u>Serial Numbers</u> |
|------------|-------------------|-----------------------------------|----------------|-----------------------|
| 001        | 13010-Z0A-003     | RING SET, PISTON (STD.) (NIPPON)  | 2              |                       |
| 001        | 13010-Z0A-003     | RING SET, PISTON (STD.) (NIPPON)  | 2              | 1068194               |
| 001        | 13010-Z0A-014     | RING SET, PISTON (STD.) (TEIKOKU) | 2              | 1068194               |
| 001        | 13010-Z0A-014     | RING SET, PISTON (STD.) (TEIKOKU) | 2              | 1068194               |
| 001        | 13010-Z5Z-004     | RING SET, PISTON (STD.) (TEIKOKU) | 2              | 1068195               |
| 001        | 13010-Z5Z-004     | RING SET, PISTON (STD.) (TEIKOKU) | 2              | 1068195               |
| 002        | 13101-Z0A-800     | PISTON (STD.)                     | 2              |                       |
| 002        | 13101-Z0A-800     | PISTON (STD.)                     | 2              | 1068194               |
| 002        | 13101-Z0A-801     | PISTON (STD.)                     | 2              | 1068195               |
| 002        | 13101-Z0A-801     | PISTON (STD.)                     | 2              | 1068195               |
| 003        | 13111-ZJ1-840     | PIN, PISTON                       | 2              |                       |
| 004        | 13200-Z0A-003     | ROD ASSY., CONNECTING             | 2              |                       |
| 005        | 90001-ZN1-000     | BOLT, CONNECTING ROD, 6X37        | 4              |                       |
| <u>Ref</u> | <u>Partnumber</u> | <u>Description</u>                | <u>GXV530U</u> | <u>Serial Numbers</u> |
| 006        | 90551-ZE1-000     | CLIP, PISTON PIN, 18MM            | 4              |                       |





| <u>Ref</u> | <u>Partnumber</u> | <u>Description</u>         | <u>GXV530U</u> | <u>Serial Numbers</u> |
|------------|-------------------|----------------------------|----------------|-----------------------|
| 001        | 14320-Z0A-000     | PULLEY COMP., CAMSHAFT     | 2              |                       |
| 002        | 14324-ZL8-000     | SHAFT, CAM PULLEY          | 2              |                       |
| 003        | 14400-Z0A-003     | BELT, TIMING (97HU8 G-200) | 2              |                       |
| 004        | 14431-Z0A-000     | ARM, IN. VALVE ROCKER      | 2              |                       |
| 005        | 14441-Z0A-000     | ARM, EX. VALVE ROCKER      | 2              |                       |
| 006        | 14461-Z0A-000     | SHAFT, ROCKER ARM          | 4              |                       |
| 007        | 14711-Z0A-000     | VALVE, IN.                 | 2              |                       |
| 008        | 14721-Z0A-000     | VALVE, EX.                 | 2              |                       |
| 009        | 14751-ZE1-000     | SPRING, VALVE              | 4              |                       |
| 010        | 14771-ZE1-000     | RETAINER, IN. VALVE SPRING | 4              |                       |
| 011        | 90012-333-000     | SCREW, TAPPET ADJUSTING    | 4              |                       |
| 012        | 90206-001-000     | NUT, TAPPET ADJUSTING      | 4              |                       |
| 013        | 91301-ZM0-V31     | O-RING, 6.8X1.9 (ARAI)     | 2              |                       |
| <u>Ref</u> | <u>Partnumber</u> | <u>Description</u>         | <u>GXV530U</u> | <u>Serial Numbers</u> |
| 014        | 12209-422-005     | SEAL, VALVE STEM           | 2              |                       |