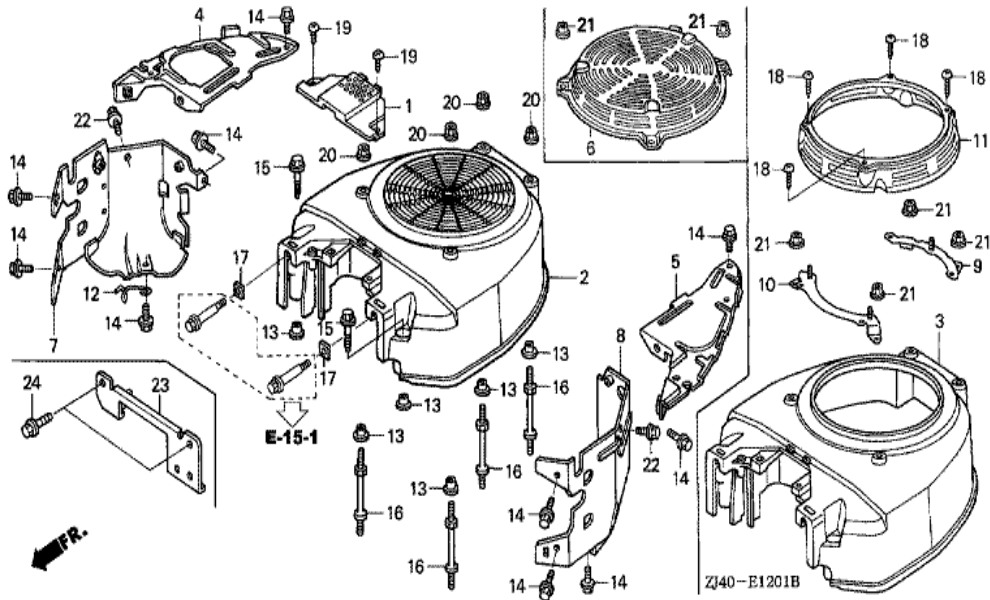
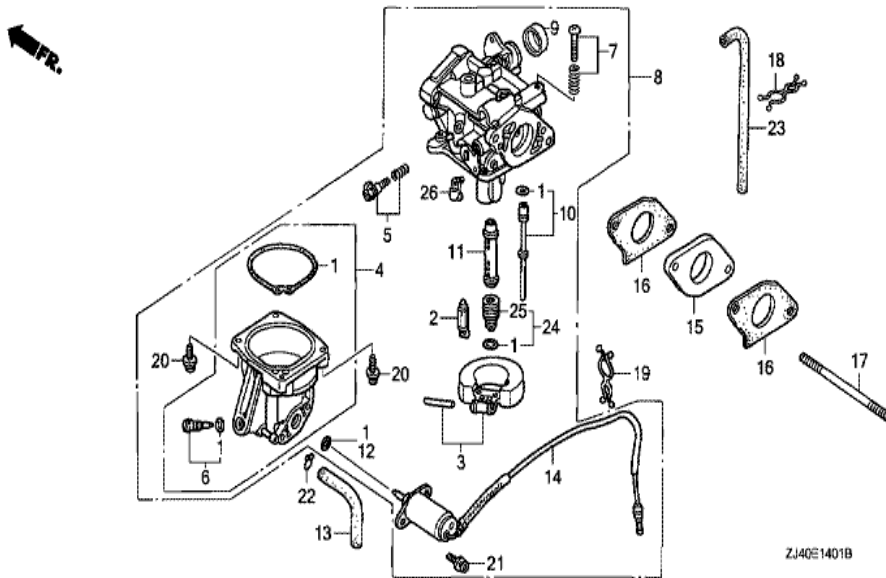


ZJ40-E1100A

Ref	Partnumber	Description	GXV620K1	Serial Numbers
001	28400-ZE3-W01ZB	STARTER ASSY., RECOIL *NH1 *	1	
001	28400-ZE3-W01ZP	STARTER ASSY., RECOIL *R280 *	1	2009863
002	28410-ZE3-W01ZB	CASE COMP., RECOIL STARTER *NH1 *	1	
002	28410-ZE3-W01ZP	CASE COMP., RECOIL STARTER *R280 *	1	2009863
003	28421-ZE3-W01	PULLEY, RECOIL STARTER	1	
004	28422-ZE2-W01	RATCHET, STARTER	2	
005	28441-ZE2-W01	SPRING, FRICTION	1	
006	28442-ZE2-W01	SPRING, STARTER RETURN	1	
007	28443-ZE2-W01	SPRING, RATCHET	2	
008	28444-ZE2-W01	RETAINER, SPRING	1	
010	28461-ZE2-W02	GRIP, STARTER	1	1011940
011	28462-ZE3-W01	ROPE, RECOIL STARTER	1	
013	90004-ZE2-W01	SCREW, CENTER	1	
<u>Ref</u>	<u>Partnumber</u>	<u>Description</u>	<u>GXV620K1</u>	<u>Serial Numbers</u>
015	94050-06070	NUT, FLANGE, 6MM	3	

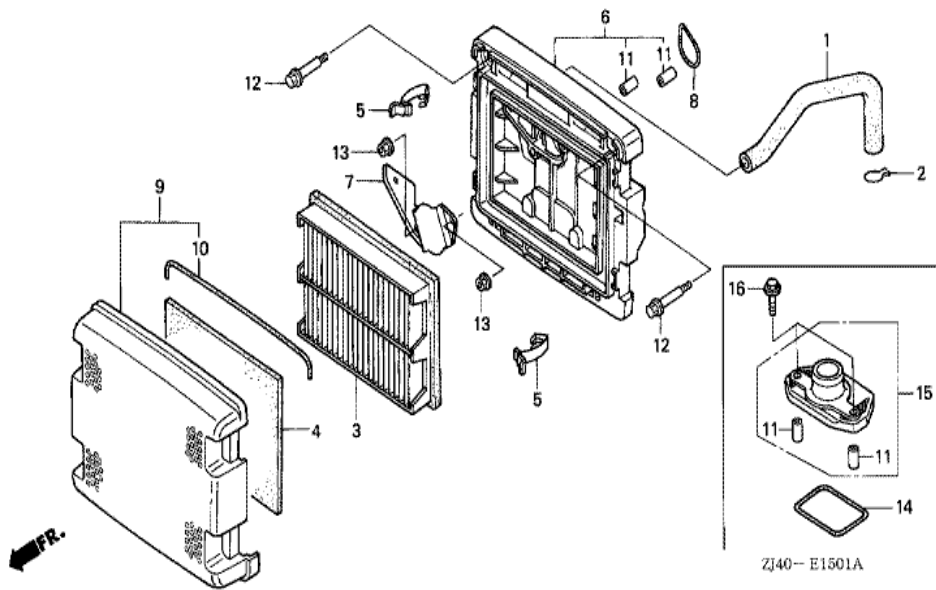


Ref	Partnumber	Description	GXV620K1	Serial Numbers
001	16715-ZJ1-840	COVER, FUEL PUMP	1	
003	19611-ZJ1-850ZA	COVER, FAN (RECOIL STARTER) *NH1 *	1	
003	19611-ZJ1-850ZC	COVER, FAN (RECOIL STARTER) *R280 *	1	2008823
004	19612-ZJ1-841	PLATE, SIDE	1	2005923
005	19614-ZJ1-841	PLATE, SIDE	1	2005923
007	19631-ZJ1-840	SHROUD	1	
008	19632-ZJ1-841	SHROUD	1	2005923
009	28491-ZJ1-840	STAY A, RECOIL STARTER	1	
010	28492-ZJ1-840	STAY B, RECOIL STARTER	1	
011	28496-ZJ1-840ZA	COVER, RECOIL STARTER STAY *NH1 *	1	
011	28496-ZJ1-840ZC	COVER, RECOIL STARTER STAY *R280 *	1	2009863
012	30588-898-000	CLAMP, HIGH TENSION TUBE	1	
013	33713-GC2-000	COLLAR B, TAILLIGHT	6	
Ref	Partnumber	Description	GXV620K1	Serial Numbers
014	90013-883-000	BOLT, FLANGE, 6X12 (CT200)	10	
015	90018-ZE1-000	BOLT, FLANGE, 6X23 (CT200)	2	
016	90042-ZJ1-840	BOLT, STUD, 6X71	4	
017	90313-ZJ1-840	NUT, SQUARE, 5MM	2	
018	93903-35380	SCREW, TAPPING, 5X16	4	
019	93913-25580	SCREW, TAPPING, 5X20	2	
021	94050-06070	NUT, FLANGE, 6MM	4	
022	95701-0600800	BOLT, FLANGE, 6X8	2	

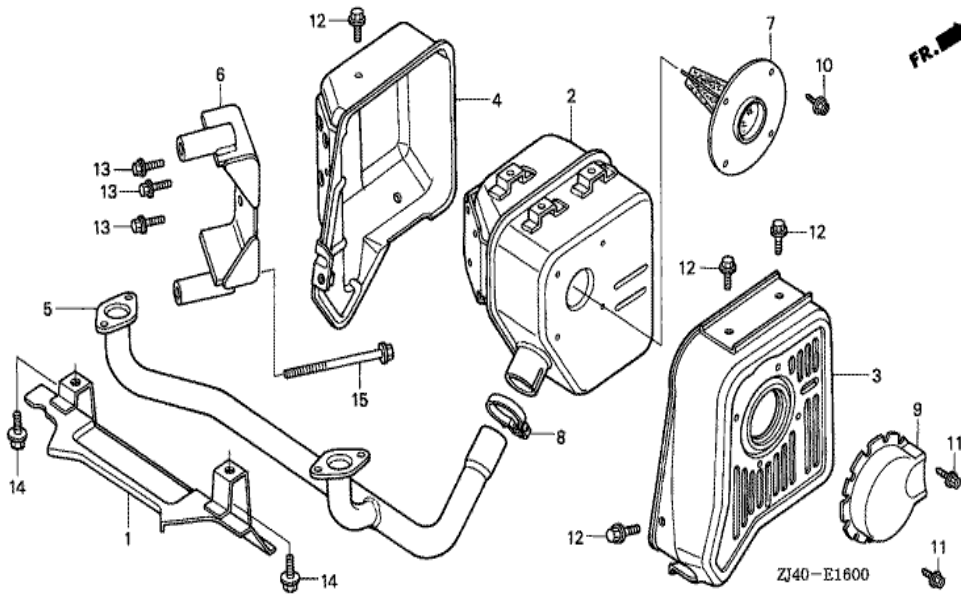


ZJ40E1401B

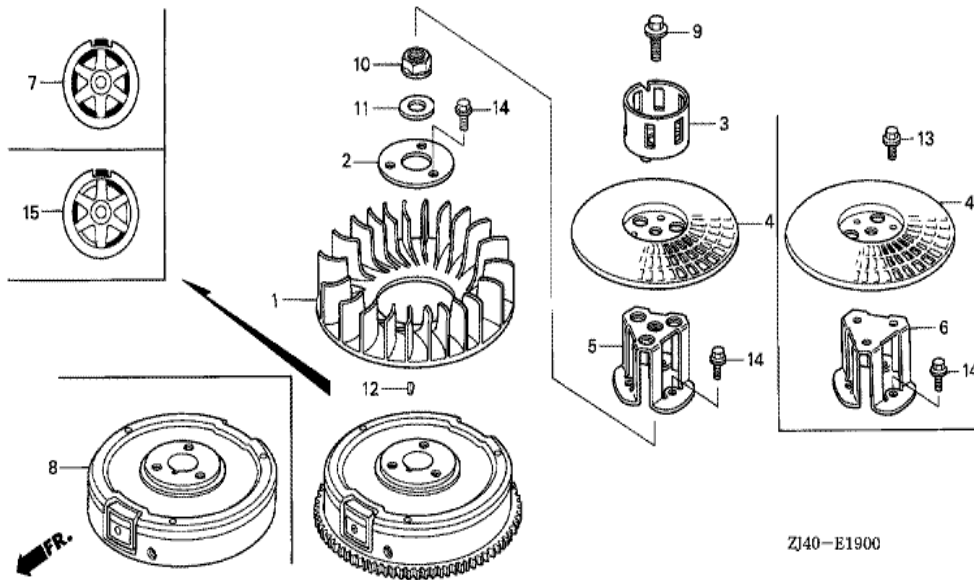
Ref	Partnumber	Description	GXV620K1	Serial Numbers
001	16010-ZG8-000	GASKET SET	1	
002	16011-KCK-910	VALVE SET, FLOAT	1	
003	16013-ZV4-005	FLOAT SET	1	
004	16015-ZJ1-841	CHAMBER SET, FLOAT	1	
005	16016-ZJ6-831	SCREW SET	1	
006	16024-124-760	SCREW SET, DRAIN	1	
007	16028-ZJ6-831	SCREW SET	1	
008	16100-ZJ6-831	CARBURETOR ASSY. (BG26B A)	1	2044980
008	16100-ZJ6-832	CARBURETOR ASSY. (BG26B B)	1	2044981
009	16148-141-881	CAP, CHOKE DUST	1	
010	16150-ZJ4-831	JET SET, #42	1	
011	16166-ZJ6-831	NOZZLE, MAIN	1	
012	16178-548-004	O-RING, 5.8X1.9	1	
Ref	Partnumber	Description	GXV620K1	Serial Numbers
013	16198-ZJ1-840	TUBE, DRAIN	1	
014	16200-ZJ1-841	VALVE ASSY., SOLENOID	1	
015	16211-ZJ1-000	INSULATOR, CARBURETOR	1	
016	16221-ZG8-000	PACKING, CARBURETOR	2	
017	90017-ZJ4-830	BOLT, STUD, 6X100	2	
018	90658-SAO-003	CLIP, WIRE HARNESS	1	
019	91402-ZJ1-841	CLIP, PURSE LOCK	1	
020	93892-0401418	SCREW-WASHER, 4X14	4	
021	93892-0501218	SCREW-WASHER, 5X12	2	
022	95002-02080	CLIP, TUBE (B8)	1	
023	95005-4554020	TUBE, 4.5X540 (95005-45001-20M)	1	
024	99201-ZG81100	JET SET, MAIN, #110	(1)	
024	99201-ZG81120	JET SET, MAIN, #112	(1)	
024	99201-ZG81150	JET SET, MAIN, #115	1	
026	16126-ZJ1-841	ARM, THROTTLE LINKAGE	1	



Ref	Partnumber	Description	GXV620K1	Serial Numbers
001	12357-ZJ4-830	TUBE, BREATHER	1	
002	15772-551-000	CLIP, BREATHER TUBE	1	
003	17210-ZJ1-842	ELEMENT COMP., AIR CLEANER	1	2006618
004	17218-ZJ1-840	FILTER, OUTER	1	
005	17219-ZJ1-840	CLIP, AIR CLEANER	4	
006	17220-ZJ4-830	CASE COMP., AIR CLEANER	1	
007	17223-ZJ4-830	CAP, AIR CLEANER	1	
008	17228-ZG8-003	PACKING, AIR CLEANER	1	
009	17230-ZJ1-840	COVER ASSY., AIR CLEANER	1	
010	17233-ZJ1-840	SEAL, AIR CLEANER COVER	1	
011	17238-ZJ4-830	COLLAR A, AIR CLEANER	2	
012	90003-ZJ1-840	BOLT, SPECIAL, 5MM	2	
013	94050-06000	NUT, FLANGE, 6MM	2	

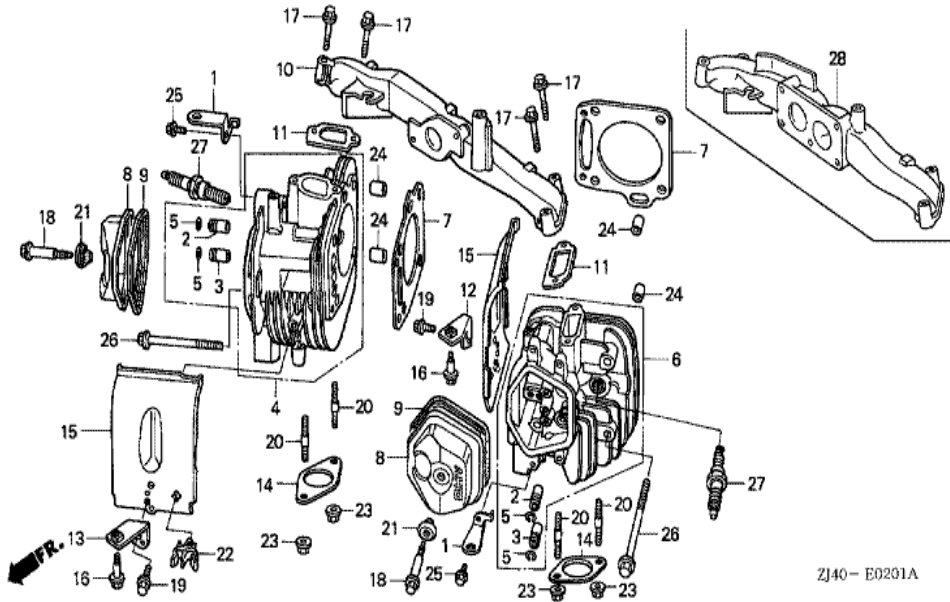


<u>Ref</u>	<u>Partnumber</u>	<u>Description</u>	<u>GXV620K1</u>	<u>Serial Numbers</u>
001	18205-ZJ4-830	PROTECTOR COMP., EX. PIPE	(1)	
002	18310-ZJ4-831	MUFFLER COMP.	(1)	
003	18321-ZJ1-841	PROTECTOR, MUFFLER (SIDE-L)	(1)	
004	18325-ZJ4-831	PROTECTOR, RR. MUFFLER	(1)	
005	18330-ZJ4-831	PIPE COMP., EX.	(1)	
006	18338-ZJ4-831	STAY, MUFFLER	(1)	
007	18355-ZJ1-801	ARRESTER, SPARK	(1)	
008	18396-ZJ1-003	BAND ASSY.	(1)	
009	18431-ZJ1-801	DEFLECTOR, MUFFLER	(1)	
010	90009-ZJ1-801	SCREW (NELSON)	(4)	
011	93903-34110	SCREW, TAPPING, 4X8	(4)	
012	95701-0600800	BOLT, FLANGE, 6X8	(7)	
013	95701-0601200	BOLT, FLANGE, 6X12	(3)	
<u>Ref</u>	<u>Partnumber</u>	<u>Description</u>	<u>GXV620K1</u>	<u>Serial Numbers</u>
014	95701-0801600	BOLT, FLANGE, 8X16	(2)	
015	95701-0808000	BOLT, FLANGE, 8X80	(2)	



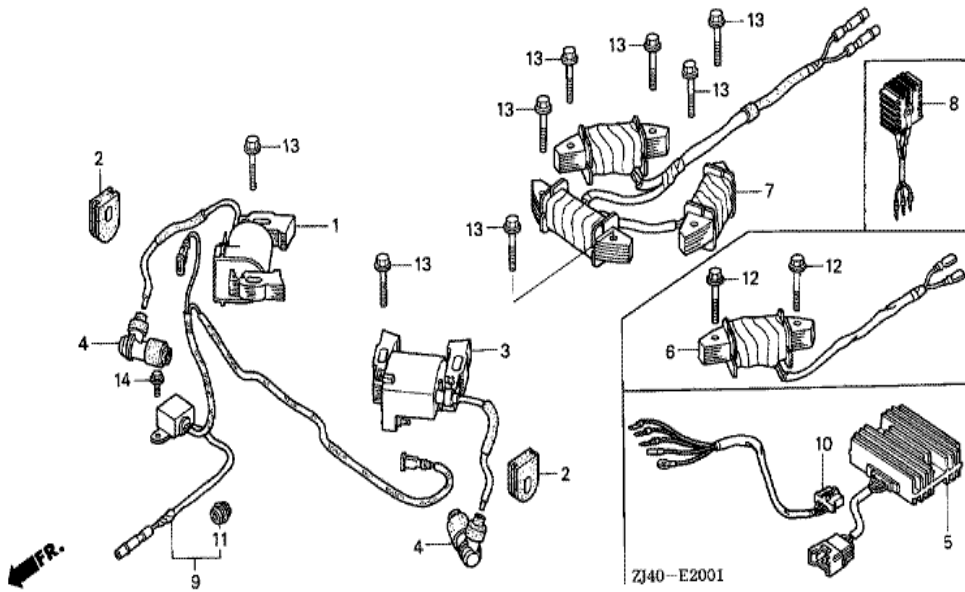
ZJ40-E1900

Ref	Partnumber	Description	GXV620K1	Serial Numbers
001	19511-ZJ1-000	FAN, COOLING	1	
003	28451-ZJ1-801	PULLEY, STARTER	1	
004	28452-ZJ1-801	GRID, SCREEN	1	
005	28453-ZJ1-801	SPACER, STARTER PULLEY MOUNTING	1	
009	90013-ZJ1-800	BOLT, UBS, 12X28	1	
010	90201-ZG3-000	NUT, FLANGE, 20MM	1	
011	90401-ZG3-000	WASHER, 20MM	1	
012	90741-ZE2-000	KEY, SPECIAL WOODRUFF, 25X18	1	
014	95701-0801600	BOLT, FLANGE, 8X16	3	
015	31110-ZJ1-850	FLYWHEEL COMP.	1	

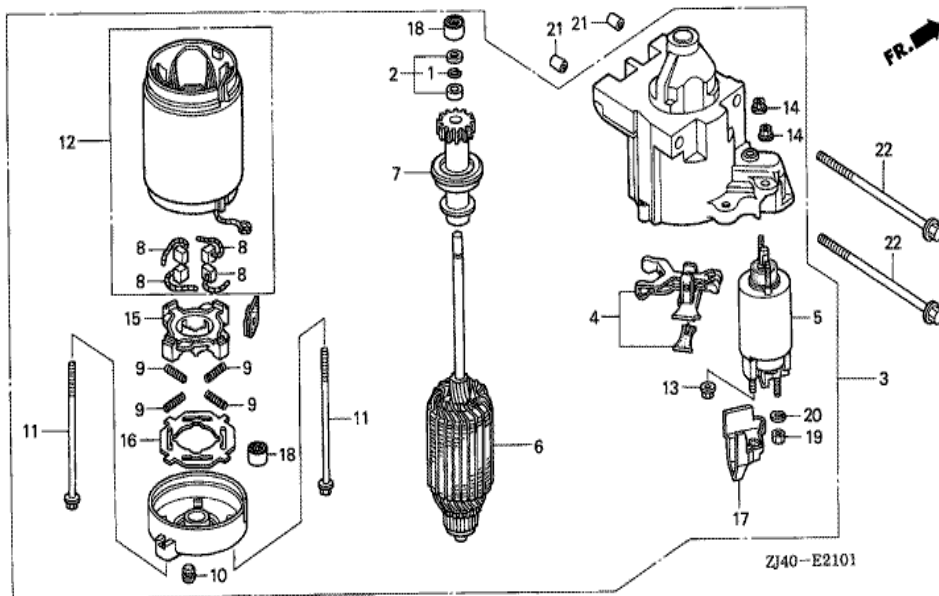


ZJ40- E0201A

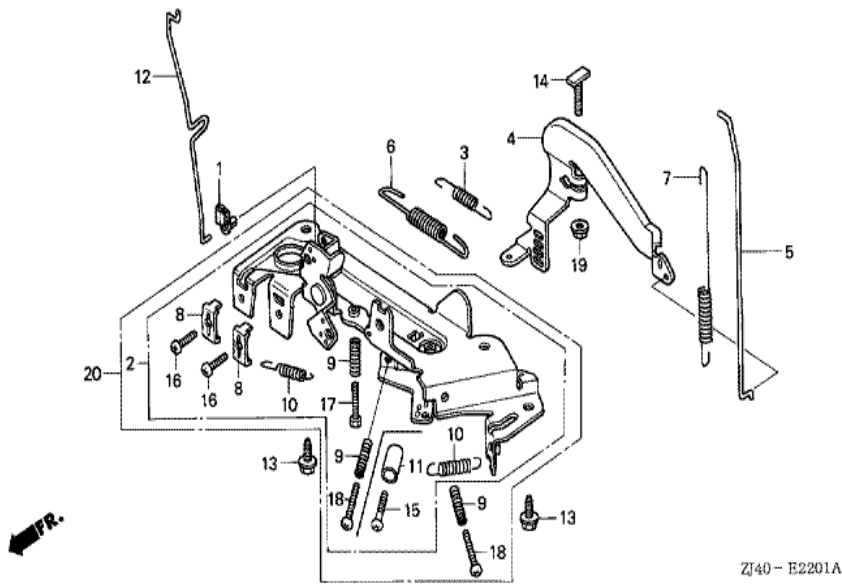
<u>Ref</u>	<u>Partnumber</u>	<u>Description</u>	<u>GXV620K1</u>	<u>Serial Numbers</u>
001	11911-ZJ1-840	HANGER, ENGINE	2	
002	12204-ZE2-306	GUIDE, IN. VALVE (O.S.)	(2)	
003	12205-ZJ1-405	GUIDE, EX. VALVE (O.S.)	(2)	
004	12210-ZJ1-406	HEAD COMP., CYLINDER (#1)	1	
005	12216-ZE2-300	CLIP, VALVE GUIDE	4	
006	12220-ZJ1-405	HEAD COMP., CYLINDER (#2)	1	
007	12251-ZJ1-841	GASKET, CYLINDER HEAD	2	
008	12311-ZJ1-840	COVER, HEAD	2	
009	12391-ZE2-020	PACKING, HEAD COVER	2	
010	17101-ZJ4-830	MANIFOLD, INTAKE	1	
011	17151-ZJ1-841	GASKET, INTAKE MANIFOLD	2	
012	17213-ZJ4-830	BRACKET, R. AIR CLEANER	1	
013	17214-ZJ4-830	BRACKET, L. AIR CLEANER	1	
<u>Ref</u>	<u>Partnumber</u>	<u>Description</u>	<u>GXV620K1</u>	<u>Serial Numbers</u>
014	18333-ZE3-800	GASKET, EX. PIPE	2	
015	19682-ZJ1-840	SHROUD, HEAD	2	
016	90002-ZJ1-840	BOLT, FLANGE, 6MM	2	
017	90011-ZJ1-841	BOLT, SOCKET, 8X45	4	
018	90014-ZE2-000	BOLT, HEAD COVER	2	
019	90014-952-000	BOLT, FLANGE, 6X14 (CT200)	2	
020	90018-ZJ1-840	BOLT, STUD, 8X22	4	
021	90441-ZE2-010	WASHER COMP., HEAD COVER	2	
022	90684-SB3-003	CLIP, FUEL TUBE	1	
023	94050-08000	NUT, FLANGE, 8MM	4	
024	94301-12200	DOWEL PIN, 12X20	4	
025	95701-0802000	BOLT, FLANGE, 8X20	2	
026	95701-1008000	BOLT, FLANGE, 10X80	8	
027	98079-52876	PLUG, SPARK (BPR2ES) (NGK)	(2)	
027	98079-5485V	PLUG, SPARK (J14CR-U) (DENSO)	(2)	
027	98079-5487V	PLUG, SPARK (ZGR4A)	(2)	
027	98079-5585V	PLUG, SPARK (J16CR-U) (DENSO)	2	
027	98079-5587V	PLUG, SPARK (ZGR5A)	2	



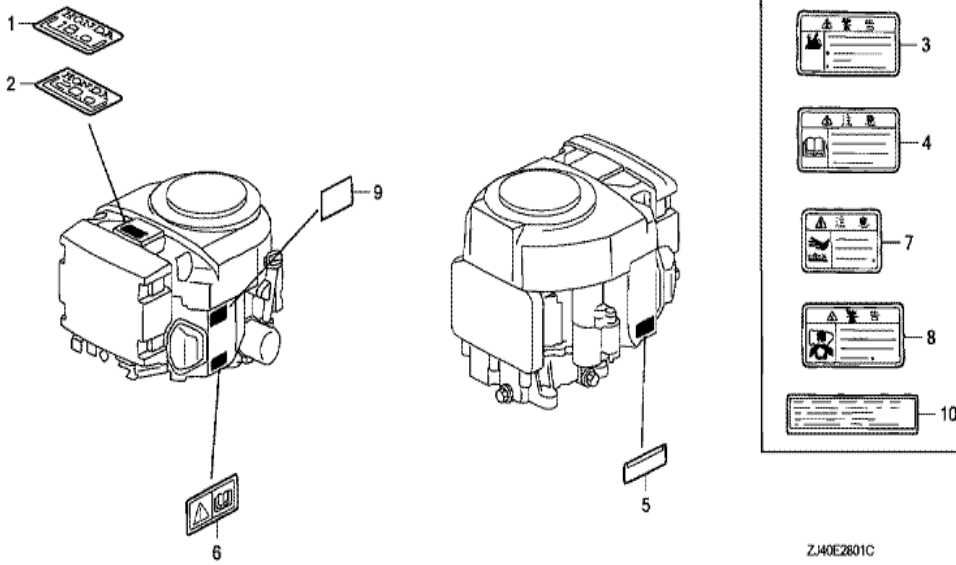
Ref	Partnumber	Description	GXV620K1	Serial Numbers
001	30500-ZJ1-844	COIL ASSY., IGNITION (BLACK) (200MM)	1	2030881
002	30518-ZJ1-000	GROMMET, HIGH TENSION CORD	2	
003	30550-ZJ1-844	COIL ASSY., IGNITION (GRAY) (215MM)	1	2030881
004	30700-ZJ1-841	CAP ASSY., NOISE SUPPRESSOR	2	
006	31630-ZJ1-003	COIL ASSY., CHARGE (12V/3A)	1	
008	31710-ZJ1-811	RECTIFIER ASSY.	1	
009	31740-ZJ1-861	DIODE ASSY., ENGINE STOP	1	2004330
011	63312-ZA7-000	GROMMET, TOOL	1	
012	90014-ZE6-000	BOLT, FLANGE, 6X35 (CT200)	2	
013	90031-ZE1-000	BOLT, FLANGE, 6X32	2	
014	95701-0600800	BOLT, FLANGE, 6X8	1	



<u>Ref</u>	<u>Partnumber</u>	<u>Description</u>	<u>GXV620K1</u>	<u>Serial Numbers</u>
001	30201-PH9-004	RING, SNAP (DENSO)	1	
002	30202-PZ1-003	COLLAR SET, CLUTCH STOP	1	
003	31200-ZJ4-831	MOTOR ASSY., STARTER	1	
004	31203-PH9-004	LEVER, PINION DRIVE	1	
005	31204-ZJ1-H01	SWITCH ASSY., MAGNET	1	
006	31206-ZG4-801	ARMATURE COMP.	1	
007	31207-ZJ4-831	CLUTCH COMP., OVERRUNNING	1	
008	31211-PH9-004	BRUSH	4	
009	31212-PH9-004	SPRING, BRUSH	4	
010	31213-679-004	COVER	1	
011	31214-PH9-004	BOLT, THROUGH	2	
012	31216-ZJ1-H01	YOKE COMP.	1	
013	31220-PH9-004	NUT, HEX., 8MM	1	
<u>Ref</u>	<u>Partnumber</u>	<u>Description</u>	<u>GXV620K1</u>	<u>Serial Numbers</u>
014	31223-PA0-006	NUT, HEX.	2	
015	31231-PH9-004	HOLDER, BRUSH	1	
016	31233-PH9-004	INSULATOR, BRUSH HOLDER	1	
017	31234-ZJ1-H01	COVER, TERMINAL	1	
018	91002-ZG4-801	BEARING A	2	
019	94001-082000S	NUT, HEX., 8MM	1	
020	94111-08000	WASHER, SPRING, 8MM	1	
021	94301-10120	DOWEL PIN, 10X12	2	
022	95701-0811000	BOLT, FLANGE, 8X110	2	

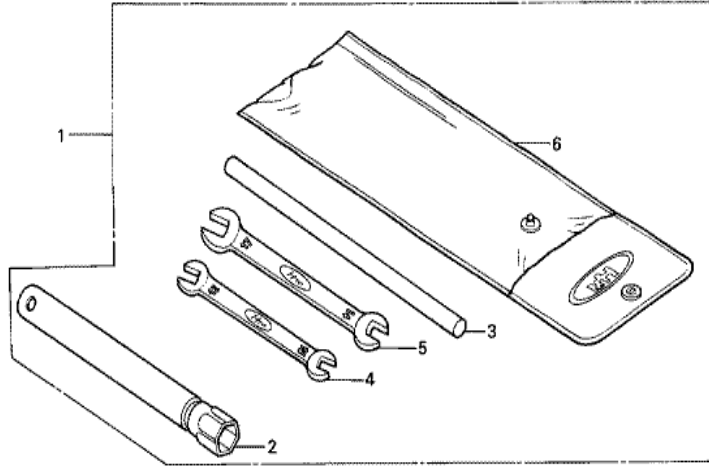


<u>Ref</u>	<u>Partnumber</u>	<u>Description</u>	<u>GXV620K1</u>	<u>Serial Numbers</u>
001	16263-883-W10	JOINT, ROD	1	
002	16500-ZJ1-840	CONTROL ASSY.	1	
003	16534-ZJ1-840	SPRING, STARTER	1	
004	16551-ZJ1-840	ARM, GOVERNOR	1	
005	16555-ZJ4-830	ROD, GOVERNOR	1	
006	16561-ZJ4-830	SPRING, GOVERNOR	1	
007	16562-ZJ4-830	SPRING, THROTTLE RETURN	1	
008	16576-891-000	HOLDER, CABLE	2	
009	16584-883-300	SPRING, CONTROL ADJUSTING	2	
010	16592-ZJ1-000	SPRING, CABLE RETURN	2	
012	16611-ZJ4-830	ROD, CHOKE CONTROL	1	
013	90014-952-000	BOLT, FLANGE, 6X14 (CT200)	2	
014	90015-ZE3-790	BOLT, GOVERNOR ARM	1	
<u>Ref</u>	<u>Partnumber</u>	<u>Description</u>	<u>GXV620K1</u>	<u>Serial Numbers</u>
016	92301-050160A	BOLT, RECESSED, 5X16	2	
017	92301-050250A	BOLT, RECESSED, 5X25	1	
018	93500-050250A	SCREW, PAN, 5X25	1	
019	94050-06000	NUT, FLANGE, 6MM	1	



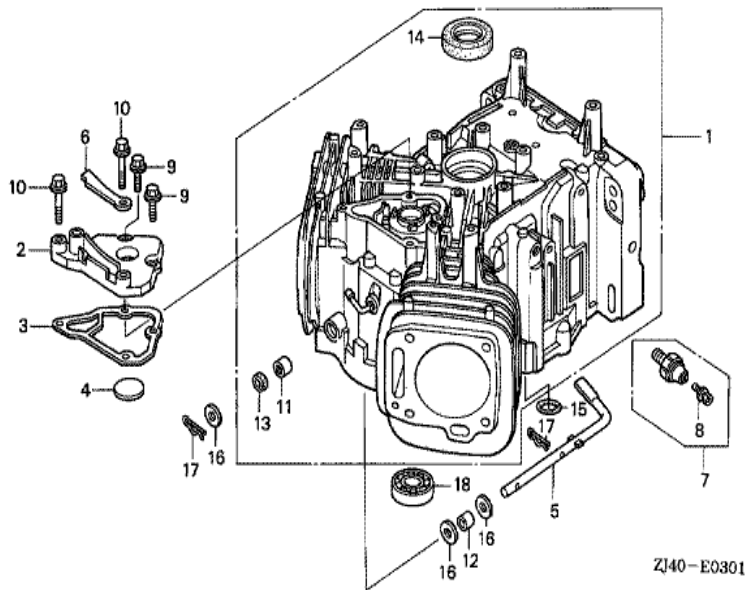
ZJ40E2801C

Ref	Partnumber	Description	GXV620K1	Serial Numbers
002	87101-ZJ1-841	MARK, EMBLEM (20.0)	1	
003	87106-737-J00	MARK, FUEL WARNING	(1)	1011058
004	87150-ZH8-000	MARK, CAUTION (JAPANESE)	(1)	1011058
005	87152-ZJ6-010	LABEL, SPECIFICATION (GXV620)	1	
007	87539-737-J00	MARK, HEAT CAUTION	(1)	1011058
008	87561-733-J00	MARK, EX. GAS WARNING	(1)	1011058

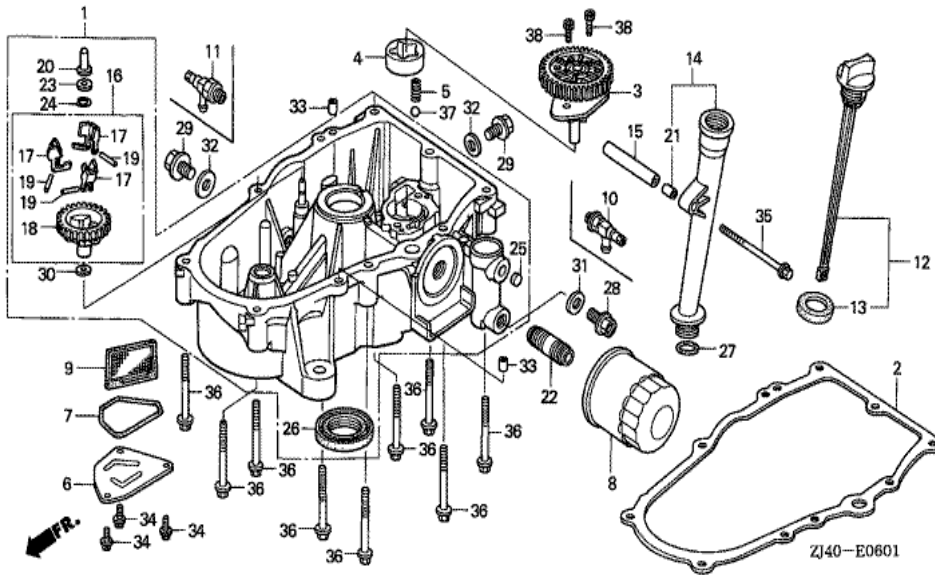


ZJ40-E2900

Ref	Partnumber	Description	GXV620K1	Serial Numbers
001	89000-ZE1-000	TOOL KIT	(1)	
002	89218-ZE1-000	WRENCH COMP., SPARK PLUG	(1)	
003	89219-805-000	HANDLE, BOX WRENCH	(1)	
004	99001-10120	SPANNER, 10X12	(1)	
005	99001-14170	SPANNER, 14X17	(1)	
006	99008-02300	BAG, TOOL, 230MM	(1)	

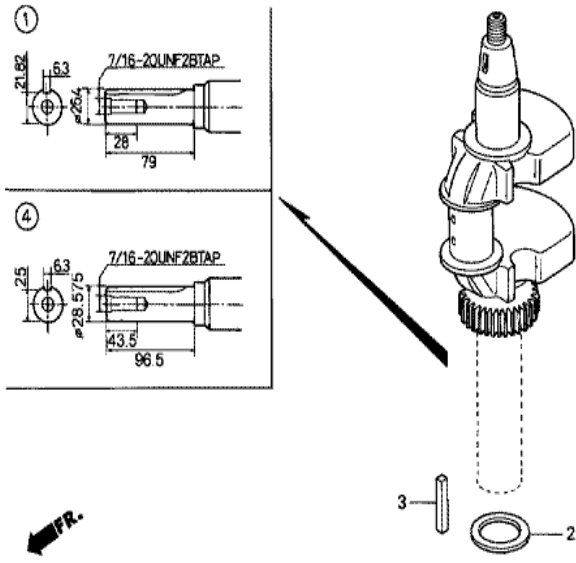


<u>Ref</u>	<u>Partnumber</u>	<u>Description</u>	<u>GXV620K1</u>	<u>Serial Numbers</u>
001	12000-ZJ4-405	BARREL ASSY., CYLINDER	1	2002402
002	12356-ZJ1-000	COVER, BREATHER	1	
003	12358-ZJ1-000	PACKING, BREATHER COVER	1	
004	12372-ZE2-300	VALVE, BREATHER	1	
005	16541-ZJ1-840	SHAFT, GOVERNOR ARM	1	
006	31511-ZJ1-000	CLAMPER, CORD	1	
007	37240-ZG3-E01	SWITCH, OIL PRESSURE	1	2041107
007	37240-ZG5-004	SWITCH, OIL PRESSURE	1	2041108
008	90002-ZG5-004	SCREW-WASHER, 4X8	1	
009	90029-888-000	BOLT, FLANGE, 6X16 (CT200)	2	
010	90031-ZE1-000	BOLT, FLANGE, 6X32	2	
011	91001-ZJ1-841	BEARING, NEEDLE, 8X12.7X11.1	1	
012	91002-ZJ1-841	BEARING, NEEDLE, 8X12X10	1	
<u>Ref</u>	<u>Partnumber</u>	<u>Description</u>	<u>GXV620K1</u>	<u>Serial Numbers</u>
013	91201-ZE9-003	OIL SEAL, 8X14X5	1	
014	91201-ZJ1-841	OIL SEAL, 38X58X9	1	
015	91302-MB6-830	O-RING, 13X3.0	1	
016	94102-08800	WASHER, PLAIN, 8MM	3	
017	94251-08000	PIN, LOCK, 8MM	2	
018	96140-6003010	BEARING, RADIAL BALL, 6003	1	



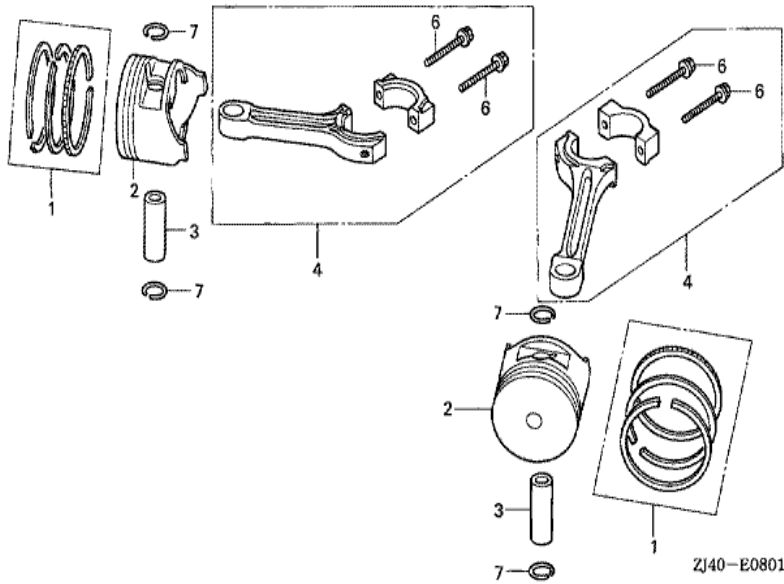
Ref	Partnumber	Description	GXV620K1	Serial Numbers
001	11300-ZJ4-831	PAN ASSY., OIL	1	2005194
001	11300-ZJ4-832	PAN ASSY., OIL	1	2045341
002	11381-ZJ1-840	GASKET, CASE COVER	1	
003	15120-ZJ1-000	COVER ASSY., OIL PUMP (TWO BOLTS)	1	2045340
003	15120-ZJ1-010	COVER ASSY., OIL PUMP (THREE BOLTS)	1	2045341
004	15124-ZJ1-003	ROTOR, OIL PUMP OUTER	1	
005	15232-ZJ1-000	SPRING, RELIEF VALVE	1	
006	15334-ZJ4-000	PLATE, OIL FILTER	1	
007	15339-ZJ4-000	O-RING, OIL PLATE	1	
008	15400-ZJ1-004	CARTRIDGE, OIL FILTER (TOYO ROKI)	1	
009	15427-ZG8-000	SCREEN, OIL FILTER	1	
010	15558-ZJ1-003	VALVE, OIL SHUT-OFF	(1)	
011	15558-772-010	VALVE, OIL SHUT-OFF	(1)	

<u>Ref</u>	<u>Partnumber</u>	<u>Description</u>	<u>GXV620K1</u>	<u>Serial Numbers</u>
012	15600-ZJ4-000	CAP ASSY, OIL FILLER	1	
013	15625-ZE8-000	PACKING, OIL FILLER CAP	1	
014	15630-ZE8-000	EXTENSION, OIL FILLER	1	
015	15637-ZJ4-830	COLLAR, FILLER SETTING	1	
016	16510-ZJ1-840	GOVERNOR ASSY.	1	
017	16511-ZJ1-840	WEIGHT, GOVERNOR	3	
018	16512-ZJ1-840	HOLDER, GOVERNOR WEIGHT	1	
019	16513-ZE2-000	PIN, GOVERNOR WEIGHT	3	
020	16531-Z0A-000	SLIDER, GOVERNOR	1	
021	17240-ZE6-000	COLLAR, EXTENSION	1	
022	90018-PN3-000	HOLDER, OIL FILTER	1	
023	90473-147-000	WASHER, 6X16	1	
024	90602-ZE1-000	CLIP, GOVERNOR HOLDER	1	
025	90855-921-300	PLUG, SEALING, 10MM	1	
026	91202-ZJ1-841	OIL SEAL, 38X58X9	1	
027	91301-ZE9-003	O-RING, 22.1X2.2	1	
028	92800-14000	BOLT, DRAIN PLUG, 14MM	1	
029	92800-20000	BOLT, DRAIN PLUG, 20MM	2	
030	94101-06800	WASHER, PLAIN, 6MM	1	
031	94109-14000	WASHER, DRAIN PLUG, 14MM	1	
032	94109-20000	WASHER, DRAIN PLUG, 20MM	2	
033	94301-08140	DOWEL PIN, 8X14	2	
034	95701-0601400	BOLT, FLANGE, 6X14	3	
035	95701-0610000	BOLT, FLANGE, 6X100	1	
036	95701-0805000	BOLT, FLANGE, 8X50	9	
037	96211-12000	BALL, STEEL, #12 (3/8)	1	
038	96600-0601600	BOLT, SOCKET, 6X16	2	2045340
038	96600-0601600	BOLT, SOCKET, 6X16	3	2045341

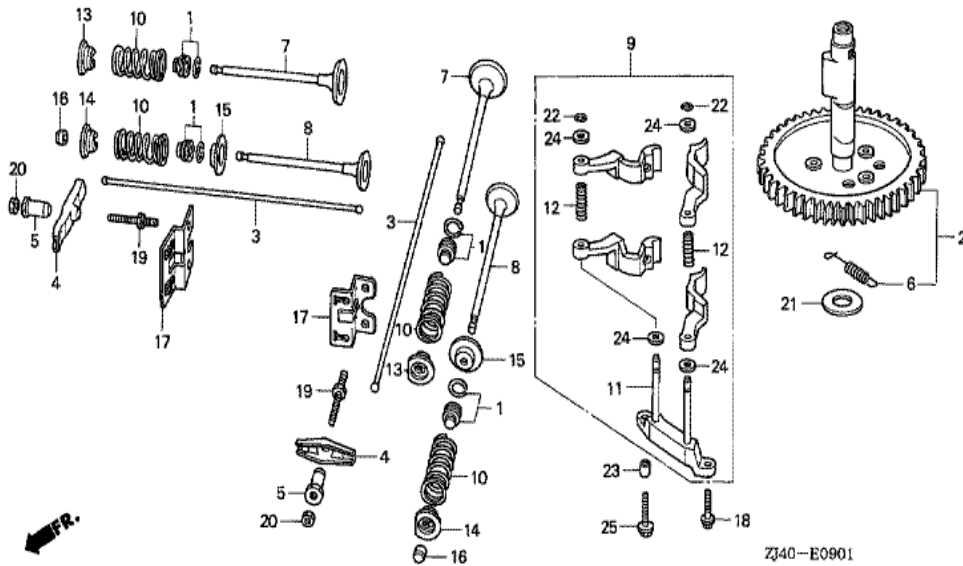


ZJ40 - E0701A

Ref	Partnumber	Description	GXV620K1	Serial Numbers
001	13310-ZJ4-830	CRANKSHAFT COMP.	1	
002	90401-ZJ1-000	WASHER, CRANKSHAFT THRUST (38.5X54.0X1.0	1	
003	90745-ZE2-600	KEY, 6.3X6.3X43	(1)	



Ref	Partnumber	Description	GXV620K1	Serial Numbers
001	13010-ZJ1-841	RING SET, PISTON (STD.) (NIPPON)	2	
001	13011-ZJ1-841	RING SET, PISTON (0.25) (NIPPON)	(2)	
001	13012-ZJ1-841	RING SET, PISTON (0.50) (NIPPON)	(2)	
001	13013-ZJ1-841	RING SET, PISTON (0.75) (NIPPON)	(2)	
002	13101-ZJ1-840	PISTON (STD.)	2	
002	13102-ZJ1-840	PISTON (0.25)	(2)	
002	13103-ZJ1-840	PISTON (0.50)	(2)	
002	13104-ZJ1-840	PISTON (0.75)	(2)	
003	13111-ZJ1-840	PIN, PISTON	2	
004	13200-ZJ1-841	ROD ASSY., CONNECTING	2	
006	90001-ZN1-000	BOLT, CONNECTING ROD, 6X37	4	
007	90551-ZE1-000	CLIP, PISTON PIN, 18MM	4	



<u>Ref</u>	<u>Partnumber</u>	<u>Description</u>	<u>GXV620K1</u>	<u>Serial Numbers</u>
001	12209-ZE8-003	SEAL, VALVE STEM	4	
002	14100-ZJ1-842	CAMSHAFT ASSY.	1	
003	14410-ZJ1-840	ROD, PUSH	4	
004	14431-ZE2-010	ARM, VALVE ROCKER	4	
005	14451-ZE1-013	PIVOT, ROCKER ARM	4	
006	14568-ZJ1-841	SPRING, WEIGHT RETURN	1	
007	14711-ZE3-000	VALVE, IN.	2	
008	14721-ZE3-000	VALVE, EX.	2	
009	14730-ZJ1-841	LIFTER ASSY., VALVE	1	
010	14751-ZE2-003	SPRING, VALVE	4	
011	14760-ZJ1-840	SHAFT COMP., VALVE LIFTER	1	
012	14764-ZJ1-840	SPRING, VALVE LIFTER	2	
013	14771-ZE2-000	RETAINER, IN. VALVE SPRING	2	
<u>Ref</u>	<u>Partnumber</u>	<u>Description</u>	<u>GXV620K1</u>	<u>Serial Numbers</u>
014	14773-ZE2-000	RETAINER, EX. VALVE SPRING	2	
015	14775-ZE2-010	SEAT, VALVE SPRING	2	
016	14781-ZE2-000	ROTATOR, VALVE	2	
017	14791-ZE9-010	GUIDE, PUSH ROD	2	
018	90005-896-000	BOLT, FLANGE, 5X16	1	
019	90012-ZE0-010	BOLT, PIVOT, 8MM	4	
020	90206-ZE1-000	NUT, PIVOT ADJUSTING	4	
021	90446-357-000	WASHER, THRUST, 17.2MM	1	
022	90602-ZE1-000	CLIP, GOVERNOR HOLDER	2	
023	90702-GB6-910	DOWEL PIN, 8X12	1	
024	94101-06800	WASHER, PLAIN, 6MM	4	
025	95701-0602500	BOLT, FLANGE, 6X25	1	