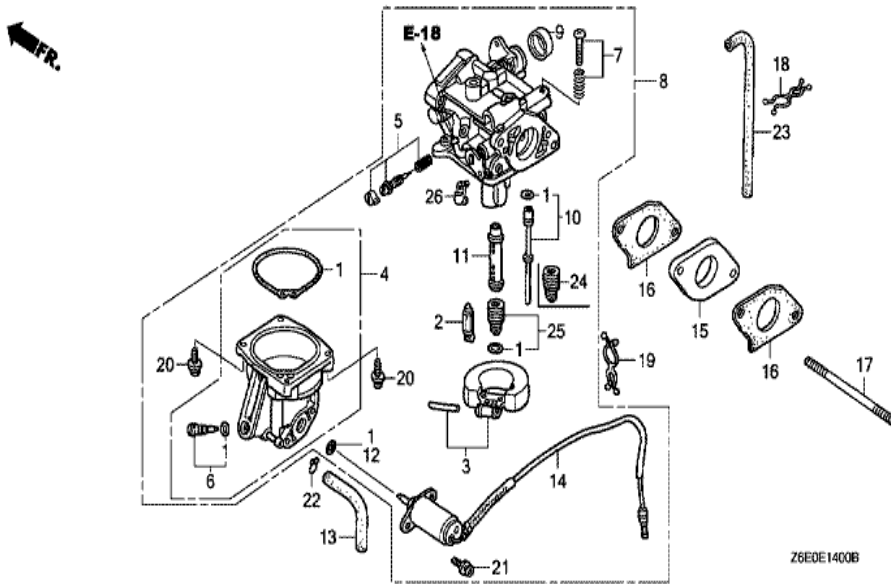
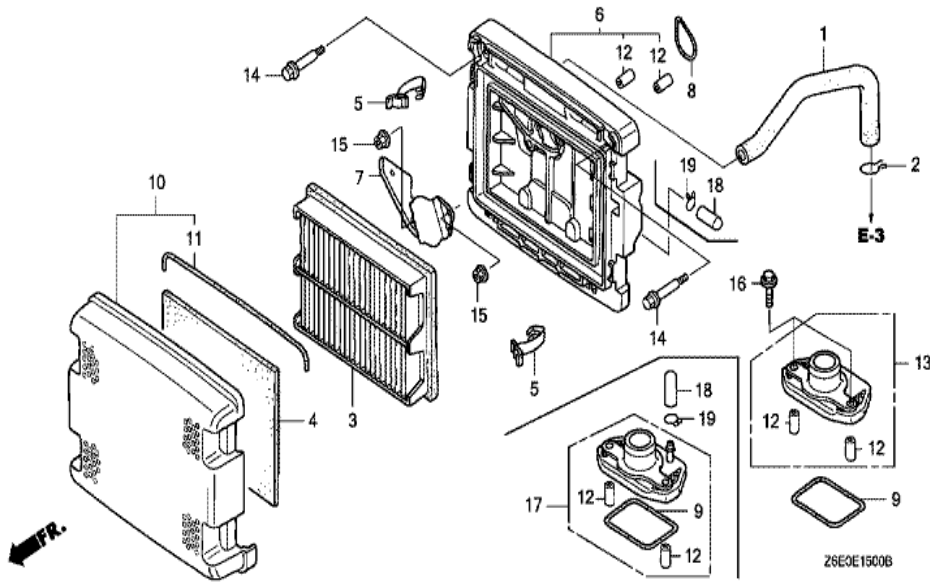


| Ref | Partnumber      | Description                         | GXV620R1 | Serial Numbers |
|-----|-----------------|-------------------------------------|----------|----------------|
| 001 | 16715-ZJ1-840   | COVER, FUEL PUMP                    | 1        |                |
| 004 | 19611-ZJ1-850ZA | COVER, FAN (RECOIL STARTER) *NH1 *  | 1        |                |
| 004 | 19611-ZJ1-850ZC | COVER, FAN (RECOIL STARTER) *R280 * | 1        |                |
| 004 | 19611-ZJ1-850ZC | COVER, FAN (RECOIL STARTER) *R280 * | 1        |                |
| 005 | 19612-ZJ1-841   | PLATE, SIDE                         | 1        |                |
| 006 | 19614-ZJ1-841   | PLATE, SIDE                         | 1        |                |
| 007 | 19621-ZJ1-801ZA | PROTECTOR, FAN COVER *NH1 *         | 1        |                |
| 007 | 19621-ZJ1-801ZC | PROTECTOR, FAN COVER *R280 *        | 1        |                |
| 007 | 19621-ZJ1-801ZC | PROTECTOR, FAN COVER *R280 *        | 1        |                |
| 008 | 19631-ZJ1-840   | SHROUD                              | 1        |                |
| 009 | 19632-ZJ1-841   | SHROUD                              | 1        |                |
| 013 | 30588-898-000   | CLAMP, HIGH TENSION TUBE            | 1        |                |
| 014 | 33713-GC2-000   | COLLAR B, TAILLIGHT                 | 6        |                |
| Ref | Partnumber      | Description                         | GXV620R1 | Serial Numbers |
| 015 | 90013-883-000   | BOLT, FLANGE, 6X12 (CT200)          | 10       |                |
| 016 | 90018-ZE1-000   | BOLT, FLANGE, 6X23 (CT200)          | 2        |                |
| 017 | 90042-ZJ1-840   | BOLT, STUD, 6X71                    | 4        |                |
| 018 | 90313-ZJ1-840   | NUT, SQUARE, 5MM                    | 2        |                |
| 021 | 93913-25580     | SCREW, TAPPING, 5X20                | 2        |                |
| 022 | 94050-06000     | NUT, FLANGE, 6MM                    | 4        |                |
| 024 | 95701-0600800   | BOLT, FLANGE, 6X8                   | 2        |                |

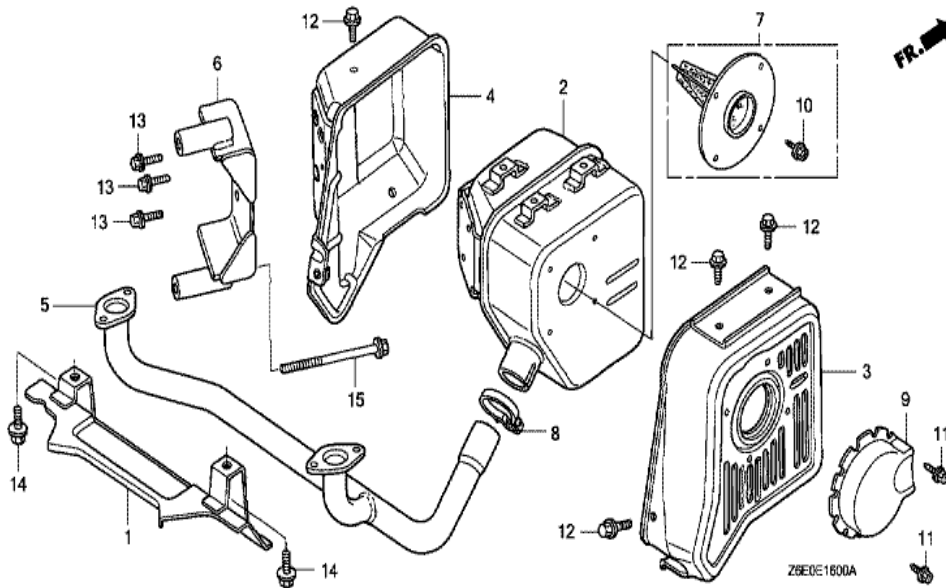


| Ref | Partnumber    | Description                | GXV620R1 | Serial Numbers |
|-----|---------------|----------------------------|----------|----------------|
| 001 | 16010-ZG8-000 | GASKET SET                 | 1        |                |
| 002 | 16011-KCK-910 | VALVE SET, FLOAT           | 1        |                |
| 003 | 16013-ZV4-005 | FLOAT SET                  | 1        |                |
| 004 | 16015-ZJ1-841 | CHAMBER SET, FLOAT         | 1        |                |
| 005 | 16016-ZJ6-831 | SCREW SET                  | 1        |                |
| 006 | 16024-124-760 | SCREW SET, DRAIN           | 1        |                |
| 007 | 16028-ZJ6-831 | SCREW SET                  | 1        |                |
| 008 | 16100-ZJ6-832 | CARBURETOR ASSY. (BG26B B) | 1        | 1005587        |
| 008 | 16100-ZJ6-832 | CARBURETOR ASSY. (BG26B B) | 1        |                |
| 009 | 16148-141-881 | CAP, CHOKE DUST            | 1        |                |
| 010 | 16150-ZJ4-831 | JET SET, #42               | 1        |                |
| 011 | 16166-ZJ6-831 | NOZZLE, MAIN               | 1        |                |
| 011 | 16166-ZJ6-831 | NOZZLE, MAIN               | 1        |                |

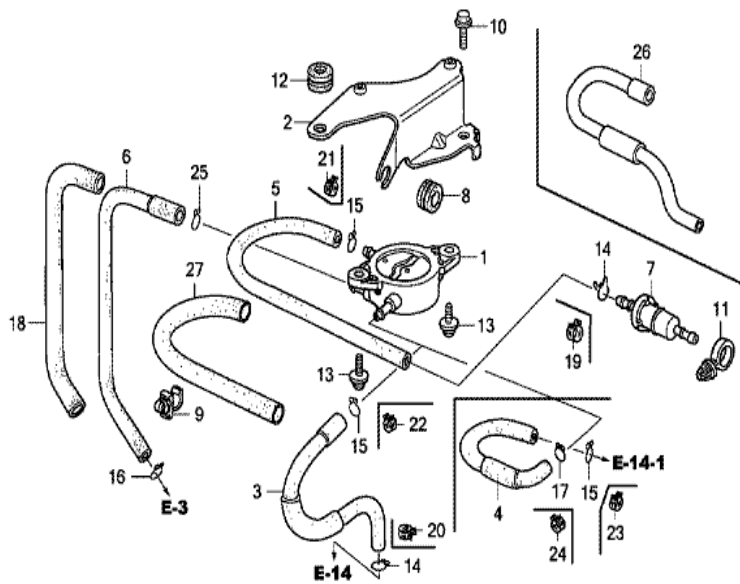
| <u>Ref</u> | <u>Partnumber</u> | <u>Description</u>              | <u>GXV620R1</u> | <u>Serial Numbers</u> |
|------------|-------------------|---------------------------------|-----------------|-----------------------|
| 012        | 16178-548-004     | O-RING, 5.8X1.9                 | 1               |                       |
| 013        | 16198-ZJ1-840     | TUBE, DRAIN                     | 1               |                       |
| 014        | 16200-ZJ1-842     | VALVE ASSY., SOLENOID           | 1               |                       |
| 014        | 16200-ZJ1-842     | VALVE ASSY., SOLENOID           | 1               |                       |
| 015        | 16211-ZJ1-000     | INSULATOR, CARBURETOR           | 1               |                       |
| 016        | 16221-ZG8-000     | PACKING, CARBURETOR             | 2               |                       |
| 017        | 90017-ZJ4-830     | BOLT, STUD, 6X100               | 2               |                       |
| 018        | 90658-SA0-003     | CLIP, WIRE HARNESS              | 1               |                       |
| 019        | 91402-ZJ1-841     | CLIP, PURSE LOCK                | 1               |                       |
| 020        | 93892-0401418     | SCREW-WASHER, 4X14              | 4               |                       |
| 021        | 93892-0501218     | SCREW-WASHER, 5X12              | 2               |                       |
| 022        | 95002-02080       | CLIP, TUBE (B8)                 | 1               |                       |
| 023        | 95005-4554020     | TUBE, 4.5X540 (95005-45001-20M) | 1               |                       |
| 025        | 99201-ZG81100     | JET SET, MAIN, #110             | (1)             |                       |
| 025        | 99201-ZG81100     | JET SET, MAIN, #110             | (1)             |                       |
| 025        | 99201-ZG81120     | JET SET, MAIN, #112             | (1)             |                       |
| 025        | 99201-ZG81120     | JET SET, MAIN, #112             | (1)             |                       |
| 025        | 99201-ZG81150     | JET SET, MAIN, #115             | 1               |                       |
| 025        | 99201-ZG81150     | JET SET, MAIN, #115             | 1               |                       |
| 026        | 16126-ZJ1-841     | ARM, THROTTLE LINKAGE           | 1               |                       |



| <u>Ref</u> | <u>Partnumber</u> | <u>Description</u>         | <u>GXV620R1</u> | <u>Serial Numbers</u> |
|------------|-------------------|----------------------------|-----------------|-----------------------|
| 001        | 12357-ZJ4-830     | TUBE, BREATHER             | 1               |                       |
| 002        | 15772-551-000     | CLIP, BREATHER TUBE        | 1               |                       |
| 003        | 17210-ZJ1-842     | ELEMENT COMP., AIR CLEANER | 1               |                       |
| 004        | 17218-ZJ1-840     | FILTER, OUTER              | 1               |                       |
| 005        | 17219-ZJ1-840     | CLIP, AIR CLEANER          | 4               |                       |
| 006        | 17220-Z6E-000     | CASE COMP., AIR CLEANER    | 1               |                       |
| 006        | 17220-Z6E-000     | CASE COMP., AIR CLEANER    | 1               | 1006344               |
| 007        | 17223-ZJ4-830     | CAP, AIR CLEANER           | 1               |                       |
| 008        | 17228-ZG8-003     | PACKING, AIR CLEANER       | 1               |                       |
| 010        | 17230-ZJ1-840     | COVER ASSY., AIR CLEANER   | 1               |                       |
| 011        | 17233-ZJ1-840     | SEAL, AIR CLEANER COVER    | 1               |                       |
| 012        | 17238-ZJ4-830     | COLLAR A, AIR CLEANER      | 2               |                       |
| 014        | 90003-ZJ1-840     | BOLT, SPECIAL, 5MM         | 2               |                       |
| <u>Ref</u> | <u>Partnumber</u> | <u>Description</u>         | <u>GXV620R1</u> | <u>Serial Numbers</u> |
| 015        | 94050-06000       | NUT, FLANGE, 6MM           | 2               |                       |
| 018        | 90634-ZL8-H00     | CAP, SEALING               | 1               |                       |
| 019        | 95002-02100       | CLIP, TUBE (B10)           | 1               |                       |

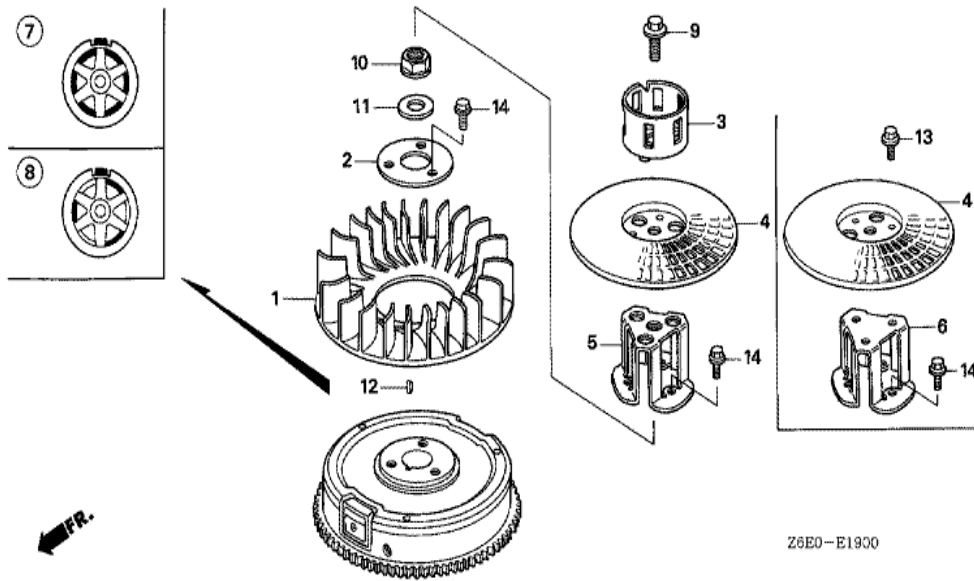


| <u>Ref</u> | <u>Partnumber</u> | <u>Description</u>          | <u>GXV620R1</u> | <u>Serial Numbers</u> |
|------------|-------------------|-----------------------------|-----------------|-----------------------|
| 001        | 18205-ZJ4-830     | PROTECTOR COMP., EX. PIPE   | 1               |                       |
| 001        | 18205-ZJ4-830     | PROTECTOR COMP., EX. PIPE   | (1)             |                       |
| 002        | 18310-ZJ4-831     | MUFFLER COMP.               | (1)             |                       |
| 003        | 18321-ZJ1-841     | PROTECTOR, MUFFLER (SIDE-L) | (1)             |                       |
| 004        | 18325-ZJ4-831     | PROTECTOR, RR. MUFFLER      | (1)             |                       |
| 005        | 18330-ZJ4-831     | PIPE COMP., EX.             | (1)             |                       |
| 006        | 18338-ZJ4-831     | STAY, MUFFLER               | (1)             |                       |
| 007        | 18355-ZJ1-801     | ARRESTER, SPARK             | (1)             |                       |
| 008        | 18396-ZJ1-003     | BAND ASSY.                  | (1)             |                       |
| 009        | 18431-ZJ1-801     | DEFLECTOR, MUFFLER          | (1)             |                       |
| 010        | 90009-ZJ1-801     | SCREW (NELSON)              | (4)             |                       |
| 011        | 93903-34110       | SCREW, TAPPING, 4X8         | (4)             |                       |
| 012        | 95701-0600800     | BOLT, FLANGE, 6X8           | (7)             |                       |
| <u>Ref</u> | <u>Partnumber</u> | <u>Description</u>          | <u>GXV620R1</u> | <u>Serial Numbers</u> |
| 013        | 95701-0601200     | BOLT, FLANGE, 6X12          | (3)             |                       |
| 014        | 95701-0801600     | BOLT, FLANGE, 8X16          | 2               |                       |
| 014        | 95701-0801600     | BOLT, FLANGE, 8X16          | (2)             |                       |
| 015        | 95701-0808000     | BOLT, FLANGE, 8X80          | (2)             |                       |



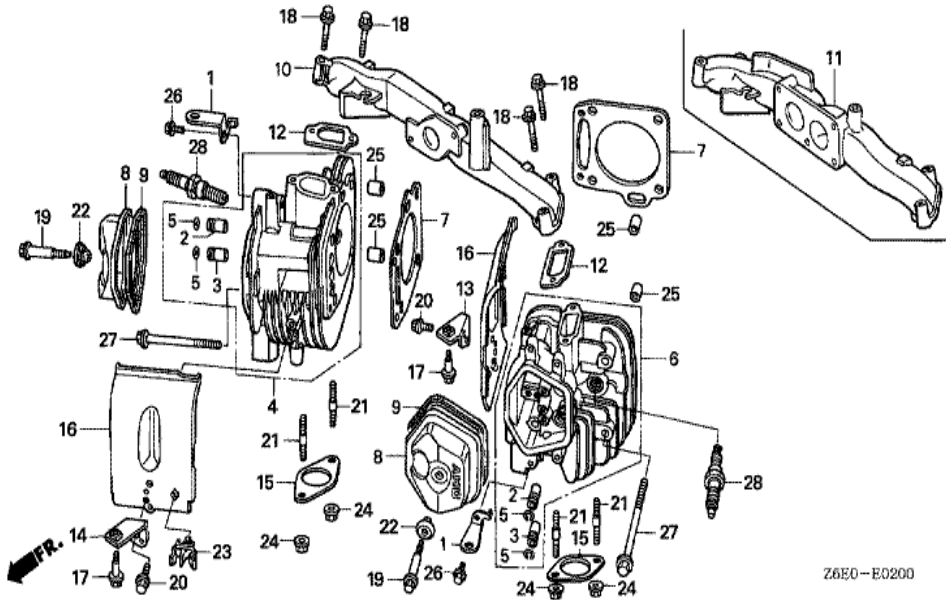
ZBEE1800F

| Ref        | Partnumber        | Description                             | GXV620R1        | Serial Numbers        |
|------------|-------------------|---|-----------------|-----------------------|
| 001        | 16700-ZL8-013     | PUMP ASSY., FUEL                        | 1               |                       |
| 002        | 16711-ZJ1-840     | STAY, FUEL PUMP                         | 1               |                       |
| 003        | 16850-Z6C-841     | TUBE COMP. A, FUEL (FKM)                | 1               | 1020503               |
| 003        | 16850-Z6C-842     | TUBE COMP. A, FUEL (FKM)                | 1               | 1007646               |
| 003        | 16850-Z6C-842     | TUBE COMP. A, FUEL (FKM)                | 1               | 1020504               |
| 006        | 16882-ZJ1-840     | TUBE, DIAPHRAGM                         | 1               |                       |
| 007        | 16910-ZE8-015     | STRAINER COMP., FUEL                    | 1               |                       |
| 008        | 19111-MF5-000     | GROMMET, RESERVE TANK                   | 1               |                       |
| 010        | 90014-952-000     | BOLT, FLANGE, 6X14 (CT200)              | 1               |                       |
| 011        | 90617-SA0-003     | CLIP, WIRE HARNESS                      | 1               |                       |
| 012        | 91601-ZJ1-840     | GROMMET, PUMP STAY                      | 1               |                       |
| 013        | 93894-0601600     | SCREW-WASHER, 6X16                      | 2               |                       |
| 016        | 95002-02080       | CLIP, TUBE (B8)                         | 1               |                       |
| <u>Ref</u> | <u>Partnumber</u> | <u>Description</u>                      | <u>GXV620R1</u> | <u>Serial Numbers</u> |
| 016        | 95002-02080       | CLIP, TUBE (B8)                         | 1               | 1000865               |
| 018        | 95003-2501520     | TUBE, VINYL, 9X11X150 (95003-25001-10M) | 1               |                       |
| 019        | 95002-4080008     | CLAMP, TUBE (D8)                        | 1               |                       |
| 019        | 95002-4080008     | CLAMP, TUBE (D8)                        | 1               | 1001199               |
| 020        | 95002-4080008     | CLAMP, TUBE (D8)                        | 1               |                       |
| 021        | 95002-4085008     | CLAMP, TUBE (D8.5)                      | 1               |                       |
| 021        | 95002-4085008     | CLAMP, TUBE (D8.5)                      | 1               | 1001199               |
| 022        | 95002-4085008     | CLAMP, TUBE (D8.5)                      | 1               |                       |
| 022        | 95002-4085008     | CLAMP, TUBE (D8.5)                      | 1               | 1001199               |
| 025        | 95002-02100       | CLIP, TUBE (B10)                        | 1               |                       |
| 026        | 16855-Z6C-841     | TUBE COMP. B, FUEL (FKM)                | 1               | 1007645               |
| 026        | 16855-Z6C-841     | TUBE COMP. B, FUEL (FKM)                | 1               | 1020503               |
| 026        | 16855-Z6C-842     | TUBE COMP. B, FUEL (FKM)                | 1               | 1007646               |
| 026        | 16855-Z6C-842     | TUBE COMP. B, FUEL (FKM)                | 1               | 1020504               |



Z8E0-E1900

| Ref | Partnumber    | Description                  | GXV620R1 | Serial Numbers |
|-----|---------------|------------------------------|----------|----------------|
| 001 | 19511-ZJ1-000 | FAN, COOLING                 | 1        |                |
| 004 | 28452-ZJ1-801 | GRID, SCREEN                 | 1        |                |
| 006 | 28454-ZJ1-801 | HOLDER, SCREEN GRID          | 1        |                |
| 007 | 31110-ZJ1-840 | FLYWHEEL COMP.               | 1        |                |
| 010 | 90201-ZG3-000 | NUT, FLANGE, 20MM            | 1        |                |
| 011 | 90401-ZG3-000 | WASHER, 20MM                 | 1        |                |
| 012 | 90741-ZE2-000 | KEY, SPECIAL WOODRUFF, 25X18 | 1        |                |
| 013 | 95701-0601200 | BOLT, FLANGE, 6X12           | 3        |                |
| 014 | 95701-0801600 | BOLT, FLANGE, 8X16           | 3        |                |

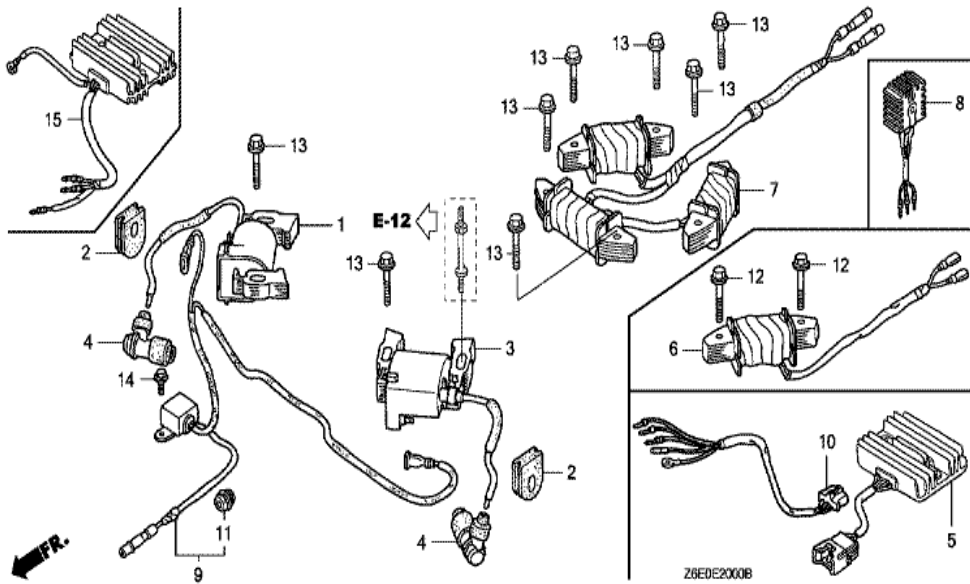


Z680-E0200

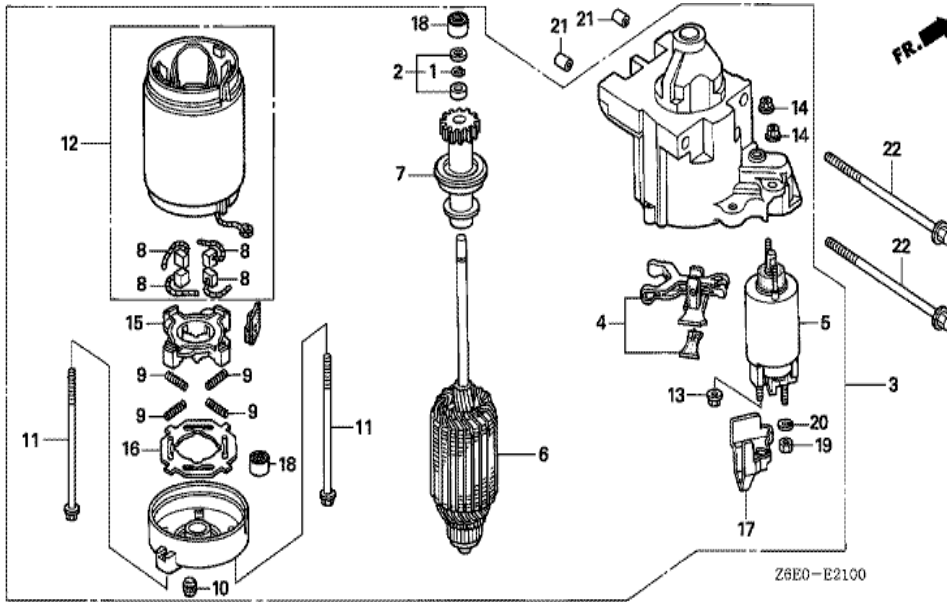
| Ref | Partnumber    | Description               | GXV620R1 | Serial Numbers |
|-----|---------------|---------------------------|----------|----------------|
| 001 | 11911-ZJ1-840 | HANGER, ENGINE            | 2        |                |
| 002 | 12204-ZE2-306 | GUIDE, IN. VALVE (O.S.)   | 2        |                |
| 002 | 12204-ZE2-306 | GUIDE, IN. VALVE (O.S.)   | 2        |                |
| 003 | 12205-ZJ1-405 | GUIDE, EX. VALVE (O.S.)   | 2        |                |
| 003 | 12205-ZJ1-405 | GUIDE, EX. VALVE (O.S.)   | 2        |                |
| 004 | 12210-ZJ1-406 | HEAD COMP., CYLINDER (#1) | 1        |                |
| 005 | 12216-ZE2-300 | CLIP, VALVE GUIDE         | 4        |                |
| 006 | 12220-ZJ1-405 | HEAD COMP., CYLINDER (#2) | 1        |                |
| 007 | 12251-ZJ1-841 | GASKET, CYLINDER HEAD     | 2        |                |
| 008 | 12311-ZJ1-840 | COVER, HEAD               | 2        |                |
| 009 | 12391-ZE2-020 | PACKING, HEAD COVER       | 2        |                |
| 010 | 17101-ZJ4-830 | MANIFOLD, INTAKE          | 1        |                |
| 012 | 17151-ZJ1-841 | GASKET, INTAKE MANIFOLD   | 2        |                |



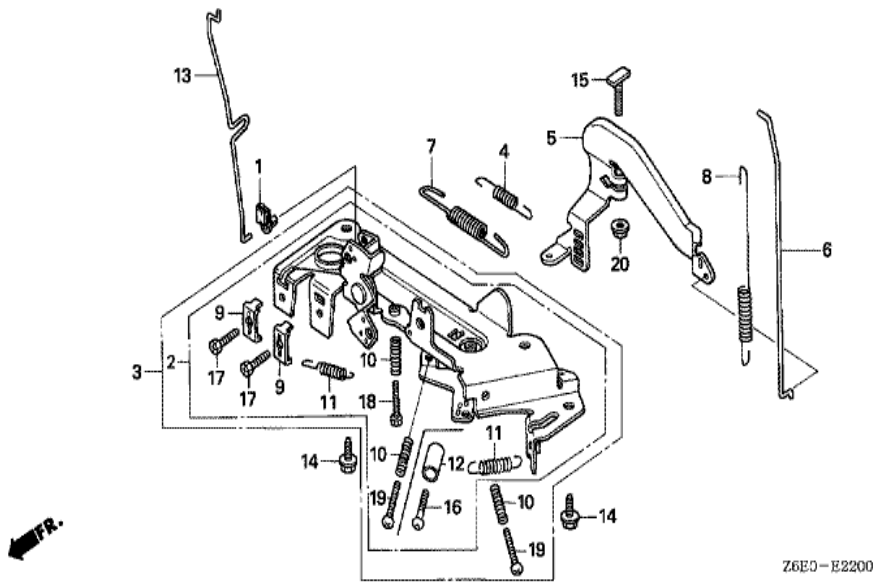
| <u>Ref</u> | <u>Partnumber</u> | <u>Description</u>            | <u>GXV620R1</u> | <u>Serial Numbers</u> |
|------------|-------------------|-------------------------------|-----------------|-----------------------|
| 013        | 17213-ZJ4-830     | BRACKET, R. AIR CLEANER       | 1               |                       |
| 014        | 17214-ZJ4-830     | BRACKET, L. AIR CLEANER       | 1               |                       |
| 015        | 18333-ZE3-800     | GASKET, EX. PIPE              | 2               |                       |
| 016        | 19682-ZJ1-840     | SHROUD, HEAD                  | 2               |                       |
| 017        | 90002-ZJ1-840     | BOLT, FLANGE, 6MM             | 2               |                       |
| 018        | 90011-ZJ1-841     | BOLT, SOCKET, 8X45            | 4               |                       |
| 019        | 90014-ZE2-000     | BOLT, HEAD COVER              | 2               |                       |
| 020        | 90014-952-000     | BOLT, FLANGE, 6X14 (CT200)    | 2               |                       |
| 021        | 90018-ZJ1-840     | BOLT, STUD, 8X22              | 4               |                       |
| 022        | 90441-ZE2-010     | WASHER COMP., HEAD COVER      | 2               |                       |
| 023        | 90684-SB3-003     | CLIP, FUEL TUBE               | 1               |                       |
| 024        | 94050-08000       | NUT, FLANGE, 8MM              | 4               |                       |
| 025        | 94301-12200       | DOWEL PIN, 12X20              | 4               |                       |
| 026        | 95701-0802000     | BOLT, FLANGE, 8X20            | 2               |                       |
| 027        | 95701-1008000     | BOLT, FLANGE, 10X80           | 8               |                       |
| 028        | 98079-52876       | PLUG, SPARK (BPR2ES) (NGK)    | (2)             |                       |
| 028        | 98079-5485V       | PLUG, SPARK (J14CR-U) (DENSO) | (2)             |                       |
| 028        | 98079-5485V       | PLUG, SPARK (J14CR-U) (DENSO) | (2)             |                       |
| 028        | 98079-5487V       | PLUG, SPARK (ZGR4A)           | (2)             |                       |
| 028        | 98079-5487V       | PLUG, SPARK (ZGR4A)           | (2)             |                       |
| 028        | 98079-5585V       | PLUG, SPARK (J16CR-U) (DENSO) | 2               |                       |
| 028        | 98079-5585V       | PLUG, SPARK (J16CR-U) (DENSO) | 2               |                       |
| 028        | 98079-5587V       | PLUG, SPARK (ZGR5A)           | 2               |                       |
| 028        | 98079-5587V       | PLUG, SPARK (ZGR5A)           | 2               |                       |



| <u>Ref</u> | <u>Partnumber</u> | <u>Description</u>                   | <u>GXV620R1</u> | <u>Serial Numbers</u> |
|------------|-------------------|--------------------------------------|-----------------|-----------------------|
| 001        | 30500-ZJ1-845     | COIL ASSY., IGNITION (BLACK) (200MM) | 1               | 1014425               |
| 001        | 30500-ZJ1-845     | COIL ASSY., IGNITION (BLACK) (200MM) | 1               |                       |
| 002        | 30518-ZJ1-000     | GROMMET, HIGH TENSION CORD           | 2               |                       |
| 003        | 30550-ZJ1-845     | COIL ASSY., IGNITION (GRAY) (215MM)  | 1               | 1014425               |
| 003        | 30550-ZJ1-845     | COIL ASSY., IGNITION (GRAY) (215MM)  | 1               |                       |
| 004        | 30700-ZJ1-841     | CAP ASSY., NOISE SUPPRESSOR          | 2               |                       |
| 005        | 31620-ZG5-033     | RECTIFIER ASSY., REGULATOR (20A)     | 1               | 1016992               |
| 005        | 31620-ZG5-033     | RECTIFIER ASSY., REGULATOR (20A)     | 1               |                       |
| 007        | 31630-ZJ1-802     | COIL ASSY., CHARGE (12V/20A)         | 1               | 1014425               |
| 007        | 31630-ZJ1-802     | COIL ASSY., CHARGE (12V/20A)         | 1               |                       |
| 009        | 31740-ZJ1-862     | DIODE ASSY., ENGINE STOP             | 1               | 1004901               |
| 009        | 31740-ZJ1-862     | DIODE ASSY., ENGINE STOP             | 1               |                       |
| 010        | 32105-ZJ1-800     | HARNESS ASSY., SUB WIRE              | 1               |                       |
| <u>Ref</u> | <u>Partnumber</u> | <u>Description</u>                   | <u>GXV620R1</u> | <u>Serial Numbers</u> |
| 011        | 63312-ZA7-000     | GROMMET, TOOL                        | 1               |                       |
| 013        | 90031-ZE1-000     | BOLT, FLANGE, 6X32                   | 2               |                       |
| 013        | 90031-ZE1-000     | BOLT, FLANGE, 6X32                   | 8               |                       |
| 014        | 95701-0600800     | BOLT, FLANGE, 6X8                    | 1               |                       |

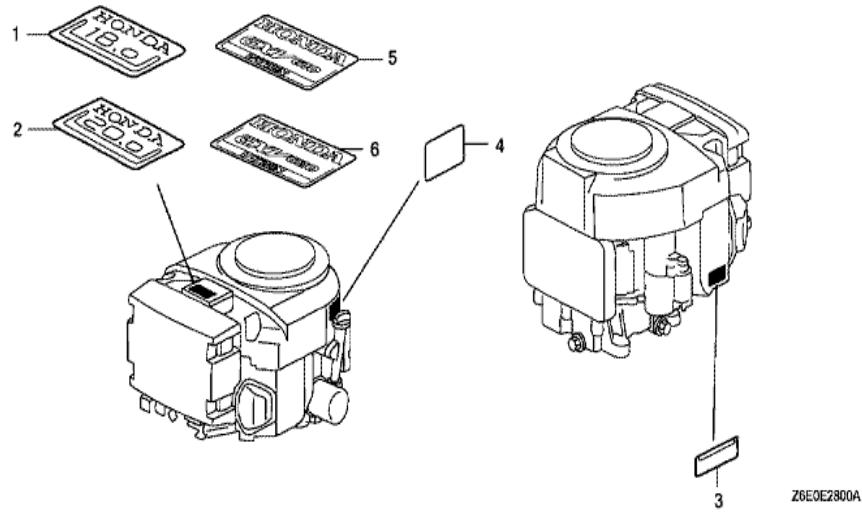


| Ref | Partnumber    | Description               | GXV620R1 | Serial Numbers |
|-----|---------------|---------------------------|----------|----------------|
| 001 | 30201-PH9-004 | RING, SNAP (DENSO)        | 1        |                |
| 002 | 30202-PZ1-003 | COLLAR SET, CLUTCH STOP   | 1        |                |
| 003 | 31200-ZJ4-832 | MOTOR ASSY., STARTER      | 1        | 1016952        |
| 003 | 31200-ZJ4-832 | MOTOR ASSY., STARTER      | 1        |                |
| 004 | 31203-PH9-004 | LEVER, PINION DRIVE       | 1        |                |
| 005 | 31204-ZJ1-H02 | SWITCH ASSY., MAGNET      | 1        | 1016952        |
| 005 | 31204-ZJ1-H02 | SWITCH ASSY., MAGNET      | 1        |                |
| 006 | 31206-ZG4-801 | ARMATURE COMP.            | 1        |                |
| 007 | 31207-ZJ4-831 | CLUTCH COMP., OVERRUNNING | 1        |                |
| 008 | 31211-PH9-004 | BRUSH                     | 4        |                |
| 009 | 31212-PH9-004 | SPRING, BRUSH             | 4        |                |
| 010 | 31213-679-004 | COVER                     | 1        |                |
| 011 | 31214-PH9-004 | BOLT, THROUGH             | 2        |                |
| Ref | Partnumber    | Description               | GXV620R1 | Serial Numbers |
| 012 | 31218-P64-N01 | YOKE COMP.                | 1        |                |
| 012 | 31218-P64-N01 | YOKE COMP.                | 1        |                |
| 013 | 31220-PH9-004 | NUT, HEX., 8MM            | 1        |                |
| 014 | 31223-PA0-006 | NUT, HEX.                 | 2        |                |
| 015 | 31231-PH9-004 | HOLDER, BRUSH             | 1        |                |
| 016 | 31233-PH9-004 | INSULATOR, BRUSH HOLDER   | 1        |                |
| 017 | 31234-ZJ1-H02 | COVER, TERMINAL           | 1        | 1006023        |
| 017 | 31234-ZJ1-H02 | COVER, TERMINAL           | 1        |                |
| 018 | 91002-ZG4-801 | BEARING A                 | 2        |                |
| 019 | 94001-082000S | NUT, HEX., 8MM            | 1        |                |
| 020 | 94111-08000   | WASHER, SPRING, 8MM       | 1        |                |
| 021 | 94301-10120   | DOWEL PIN, 10X12          | 2        |                |
| 022 | 95701-0811000 | BOLT, FLANGE, 8X110       | 2        |                |



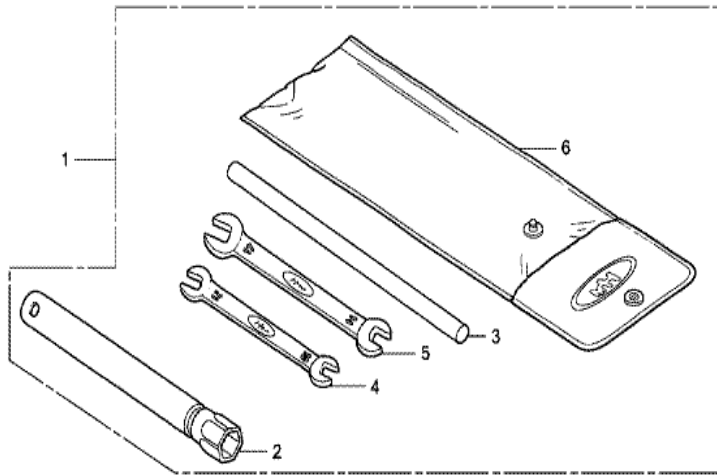
Z6E0-E2200

| <u>Ref</u> | <u>Partnumber</u> | <u>Description</u>         | <u>GXV620R1</u> | <u>Serial Numbers</u> |
|------------|-------------------|----------------------------|-----------------|-----------------------|
| 001        | 16263-883-W10     | JOINT, ROD                 | 1               |                       |
| 002        | 16500-ZJ1-840     | CONTROL ASSY.              | 1               |                       |
| 004        | 16534-ZJ1-840     | SPRING, STARTER            | 1               |                       |
| 005        | 16551-ZJ1-840     | ARM, GOVERNOR              | 1               |                       |
| 006        | 16555-ZJ4-830     | ROD, GOVERNOR              | 1               |                       |
| 007        | 16561-ZJ4-830     | SPRING, GOVERNOR           | 1               |                       |
| 007        | 16561-ZJ4-830     | SPRING, GOVERNOR           | 1               |                       |
| 008        | 16562-ZJ4-830     | SPRING, THROTTLE RETURN    | 1               |                       |
| 009        | 16576-891-000     | HOLDER, CABLE              | 2               |                       |
| 010        | 16584-883-300     | SPRING, CONTROL ADJUSTING  | 2               |                       |
| 011        | 16592-ZJ1-000     | SPRING, CABLE RETURN       | 2               |                       |
| 013        | 16611-ZJ4-830     | ROD, CHOKE CONTROL         | 1               |                       |
| 014        | 90014-952-000     | BOLT, FLANGE, 6X14 (CT200) | 2               |                       |
| <u>Ref</u> | <u>Partnumber</u> | <u>Description</u>         | <u>GXV620R1</u> | <u>Serial Numbers</u> |
| 015        | 90015-ZE3-790     | BOLT, GOVERNOR ARM         | 1               |                       |
| 017        | 92301-050160A     | BOLT, RECESSED, 5X16       | 2               |                       |
| 018        | 92301-050250A     | BOLT, RECESSED, 5X25       | 1               |                       |
| 019        | 93500-050250A     | SCREW, PAN, 5X25           | 1               |                       |
| 020        | 94050-06000       | NUT, FLANGE, 6MM           | 1               |                       |



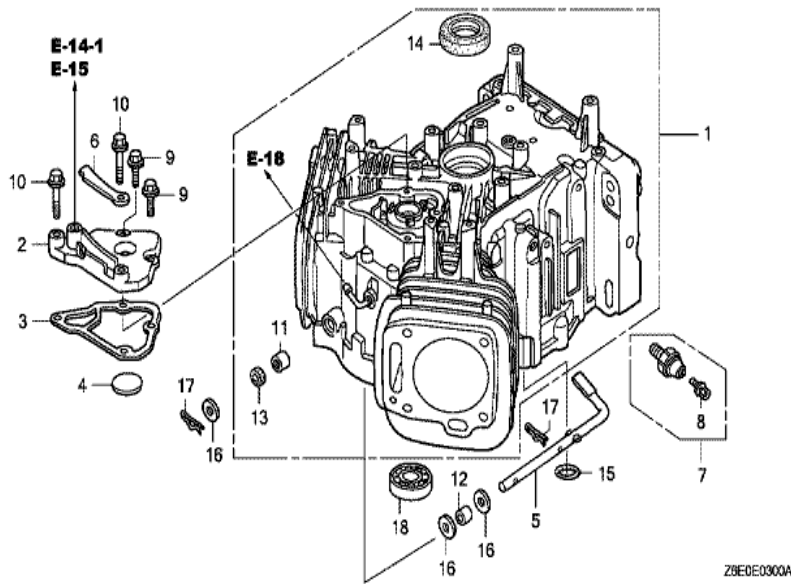
Z6E0E2800A

| Ref | Partnumber    | Description                              | GXV620R1 | Serial Numbers |
|-----|---------------|--|----------|----------------|
| 004 | 87516-ZH7-000 | MARK, OPERATOR CAUTION (ENGLISH) (MADE I | 1        |                |
| 004 | 87516-ZH7-000 | MARK, OPERATOR CAUTION (ENGLISH) (MADE I | 1        | 1021863        |
| 004 | 87516-ZH7-010 | MARK, OPERATOR CAUTION (ENGLISH) (MADE I | 1        | 1021864        |
| 004 | 87516-ZH7-010 | MARK, OPERATOR CAUTION (ENGLISH) (MADE I | 1        | 1021864        |
| 004 | 87516-ZH7-810 | MARK, OPERATOR CAUTION (PICTOGRAPH) (MAD | (1)      | 1021863        |
| 004 | 87516-ZH7-810 | MARK, OPERATOR CAUTION (PICTOGRAPH) (MAD | (1)      | 1021863        |
| 006 | 87101-Z6F-000 | MARK, EMBLEM (GXV620)                    | 1        |                |



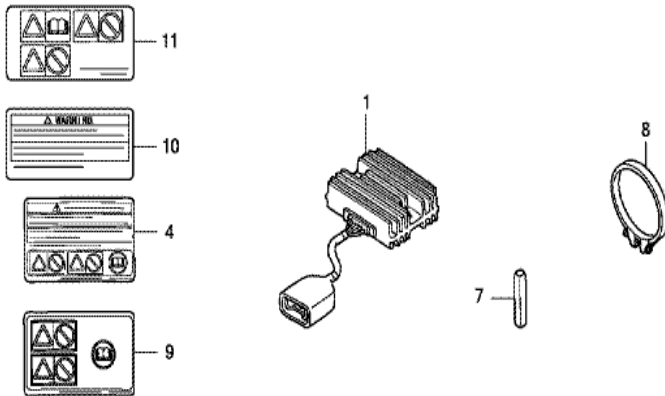
ZHE0E2900A

| Ref | Partnumber    | Description              | GXV620R1 | Serial Numbers |
|-----|---------------|--------------------------|----------|----------------|
| 001 | 89000-ZE1-000 | TOOL KIT                 | (1)      |                |
| 002 | 89218-ZE1-000 | WRENCH COMP., SPARK PLUG | 1        |                |
| 002 | 89218-ZE1-000 | WRENCH COMP., SPARK PLUG | (1)      |                |
| 003 | 89219-805-000 | HANDLE, BOX WRENCH       | (1)      |                |
| 004 | 99001-10120   | SPANNER, 10X12           | (1)      |                |
| 005 | 99001-14170   | SPANNER, 14X17           | (1)      |                |
| 006 | 99008-02300   | BAG, TOOL, 230MM         | (1)      |                |



ZBEDE0300A

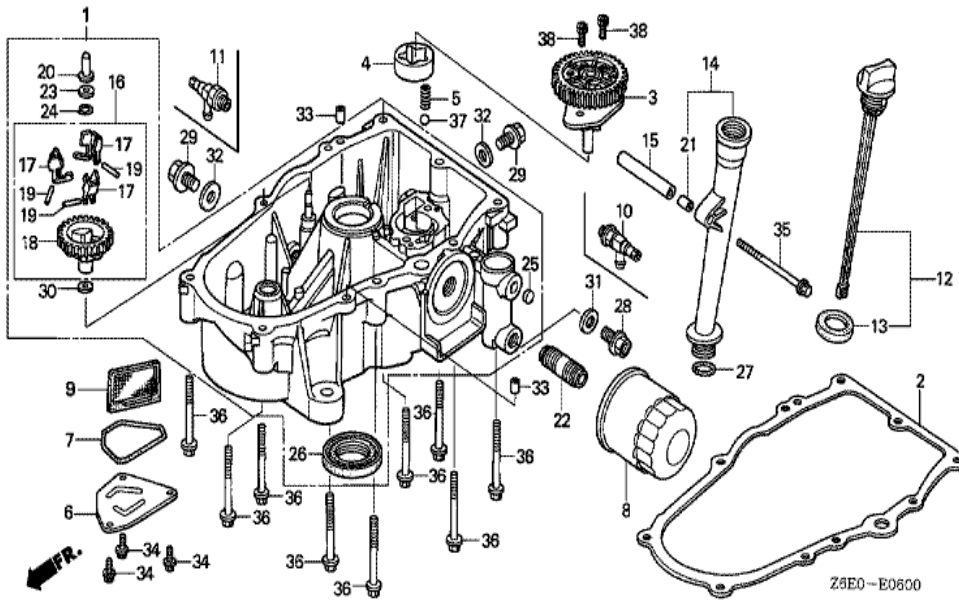
| Ref | Partnumber    | Description                  | GXV620R1 | Serial Numbers |
|-----|---------------|------------------------------|----------|----------------|
| 001 | 12000-ZJ4-415 | BARREL ASSY., CYLINDER       | 1        | 1017604        |
| 001 | 12000-ZJ4-415 | BARREL ASSY., CYLINDER       | 1        |                |
| 002 | 12356-ZJ1-000 | COVER, BREATHER              | 1        |                |
| 003 | 12358-ZJ1-000 | PACKING, BREATHER COVER      | 1        |                |
| 004 | 12372-ZE2-300 | VALVE, BREATHER              | 1        |                |
| 005 | 16541-ZJ1-840 | SHAFT, GOVERNOR ARM          | 1        |                |
| 006 | 31511-ZJ1-000 | CLAMPER, CORD                | 1        |                |
| 007 | 35490-Z6D-003 | SWITCH ASSY., OIL PRESSURE   | 1        |                |
| 007 | 35490-Z6D-003 | SWITCH ASSY., OIL PRESSURE   | 1        | 1002891        |
| 008 | 90002-ZW2-F01 | SCREW-WASHER, 4X8            | 1        | 1008009        |
| 008 | 90002-ZW2-F01 | SCREW-WASHER, 4X8            | 1        |                |
| 009 | 90029-888-000 | BOLT, FLANGE, 6X16 (CT200)   | 2        |                |
| 010 | 90031-ZE1-000 | BOLT, FLANGE, 6X32           | 2        |                |
| Ref | Partnumber    | Description                  | GXV620R1 | Serial Numbers |
| 011 | 91001-ZJ1-841 | BEARING, NEEDLE, 8X12.7X11.1 | 1        |                |
| 012 | 91002-ZJ1-841 | BEARING, NEEDLE, 8X12X10     | 1        |                |
| 013 | 91201-ZE9-003 | OIL SEAL, 8X14X5             | 1        |                |
| 014 | 91201-ZJ1-841 | OIL SEAL, 38X58X9            | 1        |                |
| 015 | 91302-MB6-830 | O-RING, 13X3.0               | 1        |                |
| 016 | 94102-08800   | WASHER, PLAIN, 8MM           | 3        |                |
| 017 | 94251-08000   | PIN, LOCK, 8MM               | 2        |                |
| 018 | 96140-6003010 | BEARING, RADIAL BALL, 6003   | 1        |                |



ZSEDE4000C

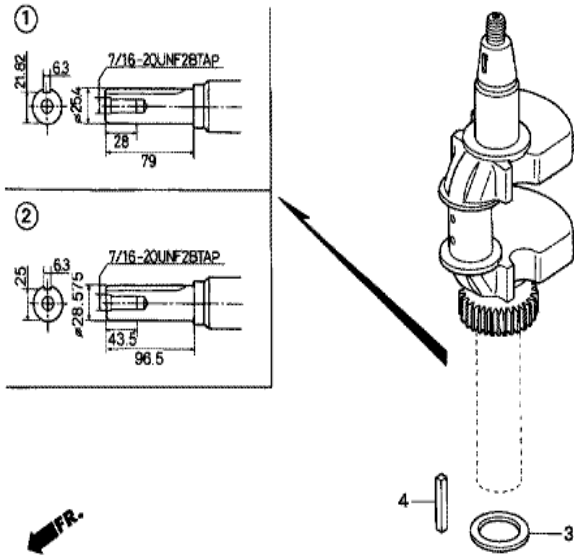
| Ref | Partnumber    | Description                              | GXV620R1 | Serial Numbers |
|-----|---------------|--|----------|----------------|
| 004 | 87516-ZH7-800 | MARK, OPERATOR CAUTION (FRENCH) (MADE IN | 1        | 1021863        |
| 004 | 87516-ZH7-800 | MARK, OPERATOR CAUTION (FRENCH) (MADE IN | 1        | 1021863        |
| 010 | 87516-ZH7-801 | MARK, OPERATOR CAUTION (FRENCH) (MADE IN | 1        | 1021864        |
| 010 | 87516-ZH7-801 | MARK, OPERATOR CAUTION (FRENCH) (MADE IN | 1        | 1021864        |
| 011 | 87519-ZH7-000 | MARK, OPERATOR CAUTION (PICTOGRAPH)      | 1        | 1008118        |
| 011 | 87519-ZH7-000 | MARK, OPERATOR CAUTION (PICTOGRAPH)      | 1        | 1021864        |





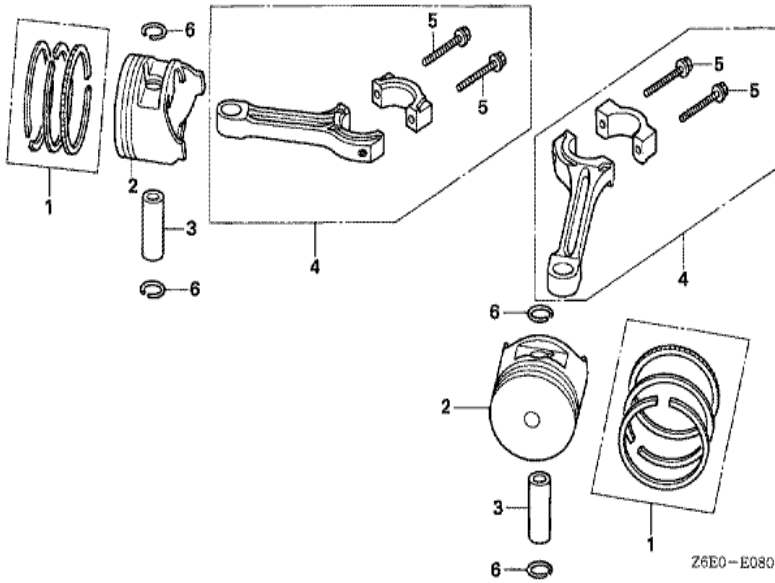
| Ref | Partnumber    | Description                         | GXV620R1 | Serial Numbers |
|-----|---------------|-------------------------------------|----------|----------------|
| 001 | 11300-ZJ4-832 | PAN ASSY., OIL                      | 1        | 1007083        |
| 001 | 11300-ZJ4-832 | PAN ASSY., OIL                      | 1        |                |
| 002 | 11381-ZJ1-840 | GASKET, CASE COVER                  | 1        |                |
| 003 | 15120-ZJ1-010 | COVER ASSY., OIL PUMP (THREE BOLTS) | 1        |                |
| 003 | 15120-ZJ1-010 | COVER ASSY., OIL PUMP (THREE BOLTS) | 1        |                |
| 004 | 15124-ZJ1-003 | ROTOR, OIL PUMP OUTER               | 1        |                |
| 005 | 15232-ZJ1-000 | SPRING, RELIEF VALVE                | 1        |                |
| 006 | 15334-ZJ4-000 | PLATE, OIL FILTER                   | 1        |                |
| 007 | 15339-ZJ4-000 | O-RING, OIL PLATE                   | 1        |                |
| 008 | 15400-ZJ1-004 | CARTRIDGE, OIL FILTER (TOYO ROKI)   | 1        |                |
| 008 | 15400-ZJ1-004 | CARTRIDGE, OIL FILTER (TOYO ROKI)   | 1        |                |
| 009 | 15427-ZG8-000 | SCREEN, OIL FILTER                  | 1        |                |
| 010 | 15558-ZJ1-003 | VALVE, OIL SHUT-OFF                 | (1)      |                |

| <u>Ref</u> | <u>Partnumber</u> | <u>Description</u>       | <u>GXV620R1</u> | <u>Serial Numbers</u> |
|------------|-------------------|--------------------------|-----------------|-----------------------|
| 011        | 15558-772-010     | VALVE, OIL SHUT-OFF      | (1)             |                       |
| 012        | 15600-ZJ4-000     | CAP ASSY., OIL FILLER    | 1               |                       |
| 013        | 15625-ZE8-000     | PACKING, OIL FILLER CAP  | 1               |                       |
| 014        | 15630-ZE8-000     | EXTENSION, OIL FILLER    | 1               |                       |
| 015        | 15637-ZJ4-830     | COLLAR, FILLER SETTING   | 1               |                       |
| 016        | 16510-ZJ1-840     | GOVERNOR ASSY.           | 1               |                       |
| 017        | 16511-ZJ1-840     | WEIGHT, GOVERNOR         | 3               |                       |
| 018        | 16512-ZJ1-840     | HOLDER, GOVERNOR WEIGHT  | 1               |                       |
| 019        | 16513-ZE2-000     | PIN, GOVERNOR WEIGHT     | 3               |                       |
| 020        | 16531-Z0A-000     | SLIDER, GOVERNOR         | 1               |                       |
| 021        | 17240-ZE6-000     | COLLAR, EXTENSION        | 1               |                       |
| 022        | 90018-PN3-000     | HOLDER, OIL FILTER       | 1               |                       |
| 023        | 90473-147-000     | WASHER, 6X16             | 1               |                       |
| 024        | 90602-ZE1-000     | CLIP, GOVERNOR HOLDER    | 1               |                       |
| 025        | 90855-921-300     | PLUG, SEALING, 10MM      | 1               |                       |
| 026        | 91202-ZJ1-841     | OIL SEAL, 38X58X9        | 1               |                       |
| 027        | 91301-ZE9-003     | O-RING, 22.1X2.2         | 1               |                       |
| 028        | 92800-14000       | BOLT, DRAIN PLUG, 14MM   | 1               |                       |
| 029        | 92800-20000       | BOLT, DRAIN PLUG, 20MM   | 2               |                       |
| 030        | 94101-06800       | WASHER, PLAIN, 6MM       | 1               |                       |
| 031        | 94109-14000       | WASHER, DRAIN PLUG, 14MM | 1               |                       |
| 032        | 94109-20000       | WASHER, DRAIN PLUG, 20MM | 2               |                       |
| 033        | 94301-08140       | DOWEL PIN, 8X14          | 2               |                       |
| 034        | 95701-0601400     | BOLT, FLANGE, 6X14       | 3               |                       |
| 035        | 95701-0610000     | BOLT, FLANGE, 6X100      | 1               |                       |
| 036        | 95701-0805000     | BOLT, FLANGE, 8X50       | 9               |                       |
| 037        | 96211-12000       | BALL, STEEL, #12 (3/8)   | 1               |                       |
| 038        | 96600-0601600     | BOLT, SOCKET, 6X16       | 2               | 1007082               |
| 038        | 96600-0601600     | BOLT, SOCKET, 6X16       | 3               |                       |

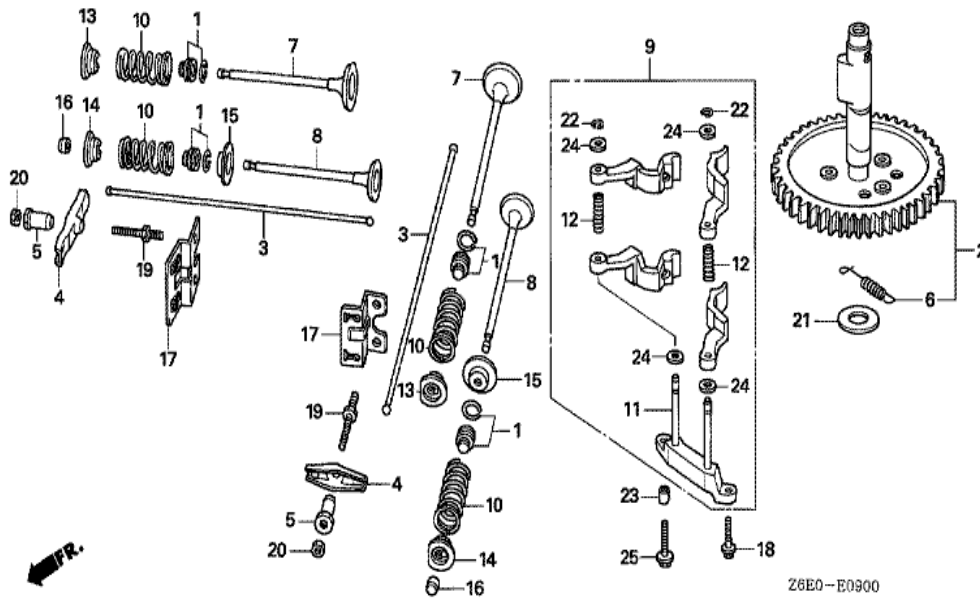


Z6E0-E0700

| Ref | Partnumber    | Description                              | GXV620R1 | Serial Numbers |
|-----|---------------|--|----------|----------------|
| 001 | 13310-ZJ4-830 | CRANKSHAFT COMP.                         | 1        |                |
| 003 | 90401-ZJ1-000 | WASHER, CRANKSHAFT THRUST (38.5X54.0X1.0 | 1        |                |
| 004 | 90745-ZE2-600 | KEY, 6.3X6.3X43                          | (1)      |                |



| <u>Ref</u> | <u>Partnumber</u> | <u>Description</u>            | <u>GXV620R1</u> | <u>Serial Numbers</u> |
|------------|-------------------|-------------------------------|-----------------|-----------------------|
| 001        | 13010-Z5H-004     | RING SET, PISTON (STD.) (TPR) | 2               |                       |
| 001        | 13010-Z5H-004     | RING SET, PISTON (STD.) (TPR) | 2               | 1006344               |
| 001        | 13011-Z5H-004     | RING SET, PISTON (0.25) (TPR) | (2)             |                       |
| 001        | 13011-Z5H-004     | RING SET, PISTON (0.25) (TPR) | (2)             |                       |
| 001        | 13012-Z5H-004     | RING SET, PISTON (0.50) (TPR) | (2)             | 1017604               |
| 001        | 13012-Z5H-004     | RING SET, PISTON (0.50) (TPR) | (2)             |                       |
| 001        | 13013-Z5H-004     | RING SET, PISTON (0.75) (TPR) | (2)             |                       |
| 001        | 13013-Z5H-004     | RING SET, PISTON (0.75) (TPR) | (2)             |                       |
| 002        | 13101-ZJ1-841     | PISTON (STD.)                 | 2               | 1017604               |
| 002        | 13101-ZJ1-841     | PISTON (STD.)                 | 2               |                       |
| 002        | 13102-ZJ1-841     | PISTON (0.25)                 | (2)             | 1017604               |
| 002        | 13102-ZJ1-841     | PISTON (0.25)                 | (2)             |                       |
| 002        | 13103-ZJ1-841     | PISTON (0.50)                 | (2)             | 1017604               |
| <u>Ref</u> | <u>Partnumber</u> | <u>Description</u>            | <u>GXV620R1</u> | <u>Serial Numbers</u> |
| 002        | 13103-ZJ1-841     | PISTON (0.50)                 | (2)             |                       |
| 002        | 13104-ZJ1-841     | PISTON (0.75)                 | (2)             | 1017604               |
| 002        | 13104-ZJ1-841     | PISTON (0.75)                 | (2)             |                       |
| 003        | 13111-ZJ1-840     | PIN, PISTON                   | 2               |                       |
| 004        | 13200-ZJ1-841     | ROD ASSY., CONNECTING         | 2               |                       |
| 005        | 90001-ZN1-000     | BOLT, CONNECTING ROD, 6X37    | 4               |                       |
| 006        | 90551-ZE1-000     | CLIP, PISTON PIN, 18MM        | 4               |                       |



Z6E0-E0900

| Ref        | Partnumber        | Description                | GXV620R1        | Serial Numbers        |
|------------|-------------------|----------------------------|-----------------|-----------------------|
| 001        | 12209-ZE8-003     | SEAL, VALVE STEM           | 4               |                       |
| 002        | 14100-ZJ1-842     | CAMSHAFT ASSY.             | 1               |                       |
| 003        | 14410-ZJ1-840     | ROD, PUSH                  | 4               |                       |
| 004        | 14431-ZE2-010     | ARM, VALVE ROCKER          | 4               |                       |
| 005        | 14451-ZE1-013     | PIVOT, ROCKER ARM          | 4               |                       |
| 006        | 14568-ZJ1-841     | SPRING, WEIGHT RETURN      | 1               |                       |
| 007        | 14711-ZE3-000     | VALVE, IN.                 | 2               |                       |
| 008        | 14721-ZE3-000     | VALVE, EX.                 | 2               |                       |
| 009        | 14730-ZJ1-842     | LIFTER ASSY., VALVE        | 1               | 1017516               |
| 009        | 14730-ZJ1-842     | LIFTER ASSY., VALVE        | 1               |                       |
| 010        | 14751-ZE2-003     | SPRING, VALVE              | 4               |                       |
| 011        | 14760-ZJ1-840     | SHAFT COMP., VALVE LIFTER  | 1               |                       |
| 012        | 14764-ZJ1-840     | SPRING, VALVE LIFTER       | 2               |                       |
| <u>Ref</u> | <u>Partnumber</u> | <u>Description</u>         | <u>GXV620R1</u> | <u>Serial Numbers</u> |
| 013        | 14771-ZE2-000     | RETAINER, IN. VALVE SPRING | 2               |                       |
| 014        | 14773-ZE2-000     | RETAINER, EX. VALVE SPRING | 2               |                       |
| 015        | 14775-ZE2-010     | SEAT, VALVE SPRING         | 2               |                       |
| 016        | 14781-ZE2-000     | ROTATOR, VALVE             | 2               |                       |
| 017        | 14791-ZE9-010     | GUIDE, PUSH ROD            | 2               |                       |
| 018        | 90005-896-000     | BOLT, FLANGE, 5X16         | 1               |                       |
| 019        | 90012-ZE0-010     | BOLT, PIVOT, 8MM           | 4               |                       |
| 020        | 90206-ZE1-000     | NUT, PIVOT ADJUSTING       | 4               |                       |
| 021        | 90446-357-000     | WASHER, THRUST, 17.2MM     | 1               |                       |
| 022        | 90602-ZE1-000     | CLIP, GOVERNOR HOLDER      | 2               |                       |
| 023        | 90702-GB6-910     | DOWEL PIN, 8X12            | 1               |                       |
| 024        | 94101-06800       | WASHER, PLAIN, 6MM         | 4               |                       |
| 025        | 95701-0602500     | BOLT, FLANGE, 6X25         | 1               |                       |