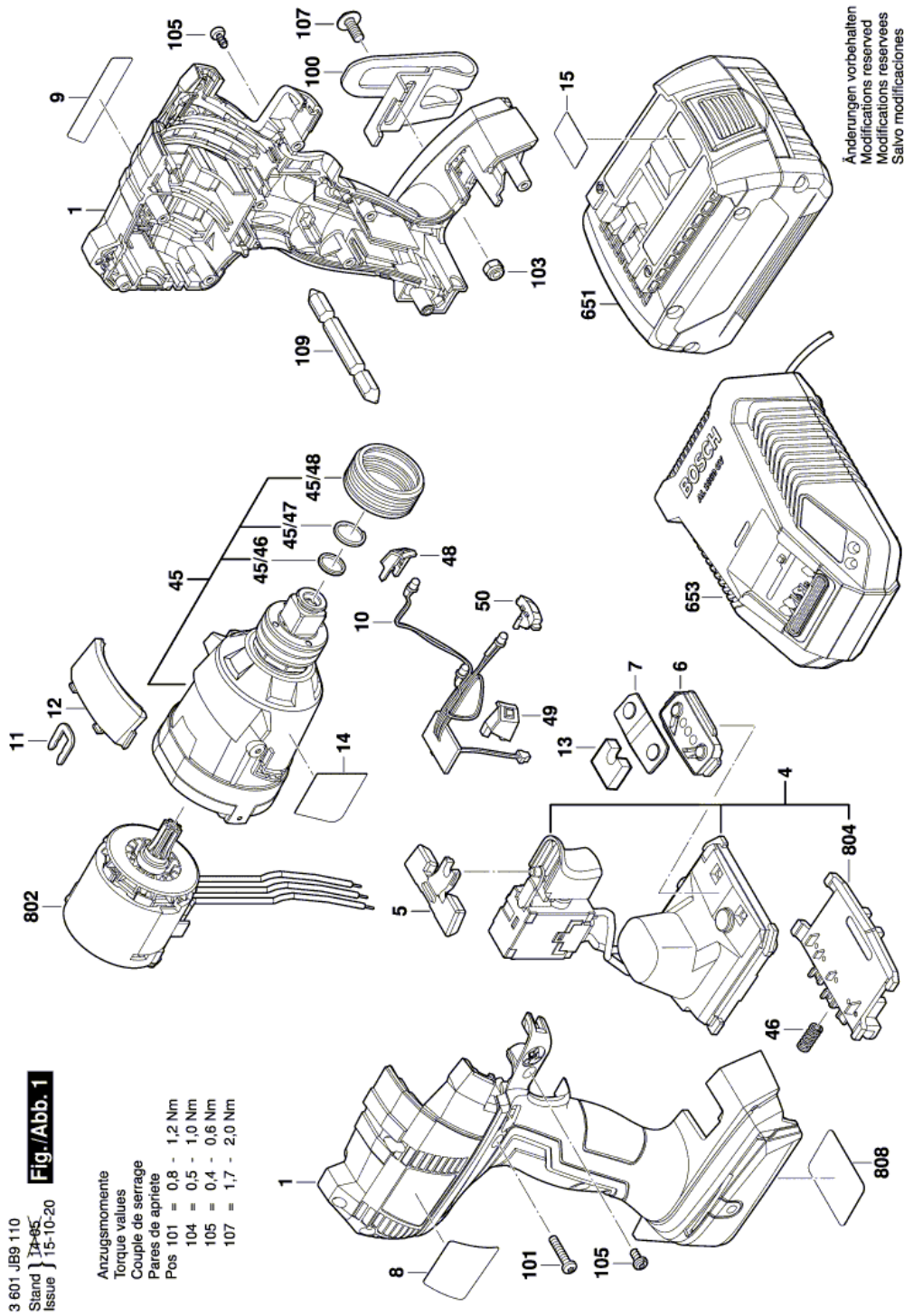


Illustration - Type E



Information subject to change without further notice.

## Impact Wrench - 3 601 JB9 110 - IDH182

www.powertools-aftersaleservice.com



**BOSCH**

Item	Part Number	Description	Illustration	Price	Quantity	Price Group
	1 2 609 101 143	Housing	1	-,-	1	33
	4 1 607 233 470	Electronics Module	1	-,-	1	45
	5 2 609 101 067	Adjusting lever	1	-,-	1	12
	6 2 609 101 068	Button	1	-,-	1	14
	7 2 609 133 596	Label	1	-,-	1	13
	8 2 609 134 292	Warning Label	1	-,-	1	13
	9 2 609 134 291	Sticker Lithium-Ion 18V	1	-,-	1	13
	10 2 609 199 465	Electronics Module	1	-,-	1	26
	11 2 609 110 838	Clip	1	-,-	1	10
	12 2 609 111 415	Cover	1	-,-	1	24
	13 2 609 170 193	Protector	1	-,-	1	11
	14 2 609 134 294	Warning Label	1	-,-	1	13
	15 2 609 134 293	Warning Label	1	-,-	1	13
	45 2 609 199 372	Gear Box	1	-,-	1	46
	45/46 2 609 170 157	Rubber Ring	1	-,-	1	10
	45/47 2 609 111 262	Metal Ring	1	-,-	1	11
	45/48 2 609 170 185	Sleeve	1	-,-	1	14
	46 1 609 280 477	Compression Spring	1	-,-	1	11
	48 2 609 101 069	Lens	1	-,-	1	11
	49 2 609 101 070	Lens	1	-,-	1	11
	50 2 609 101 083	Lens	1	-,-	1	11
	100 2 609 111 584	Clip	1	-,-	1	15
	101 2 609 110 201	Torx Flat-Head Screw 3x16	1	-,-	9	10
	103 2 609 110 835	Nut	1	-,-	2	10
	105 2 609 111 447	Pan head screw	1	-,-	2	10
	107 2 609 110 834	Screw	1	-,-	1	10
	109 2 609 110 343	Screwdriver Blade	1	-,-	1	13
	651 2 607 336 819	Battery Pack BBS MR-XL 18V, 4,0Ah, LI	1	-,-	1	51
	653 2 607 225 429	Fast Charger USA 120/10,8-18V, 1h	1	-,-	1	41
	802 2 609 199 548	DC motor 18V	1	-,-	1	46
	804 1 609 280 474	Contact retainer	1	-,-	1	26
	808 2 609 133 989	Nameplate	1	-,-	1	13