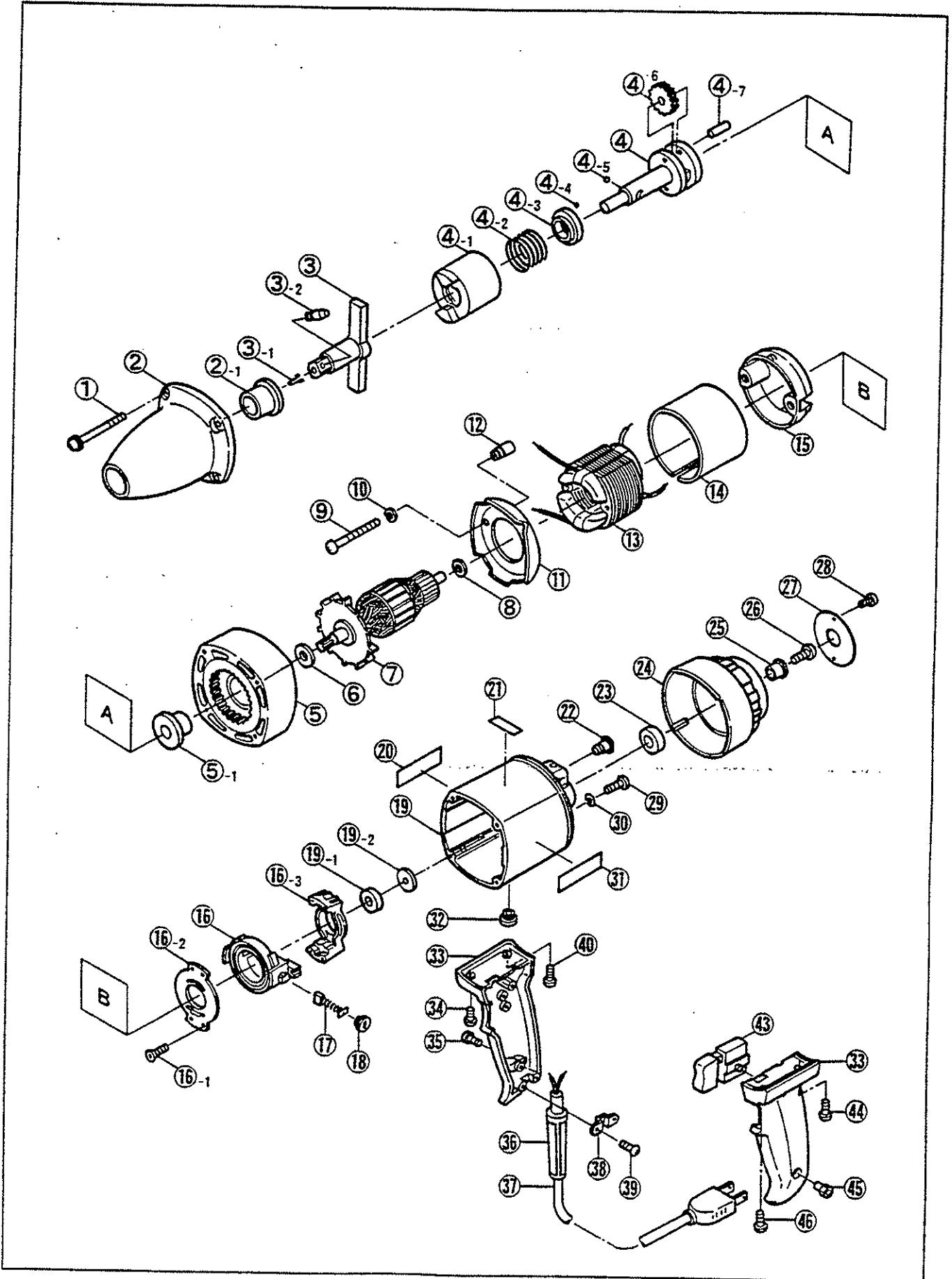


IMPACT WRENCH

IW-1400



PARTS LIST FOR AFTER SALES SERVICE MODEL IW1400

REF	PART NO.	DESCRIPTION	QTY	REF	PART NO.	DESCRIPTION	QTY
	6131040	PHILLIPS PAN SCREW M5X55	4	19	6080792	FRAME	1
2	6080793	HAMMER CASE	1	19-1	6760103	SPACER BUSHING	1
2-1	6760102	BUSHING	1	19-2	6390108	FELT	1
3	6080654	ANVIL	1	20	6921231	"RYOBI" MARK	1
3-1	6180224	COMPRESSION SPRING	1	21	6920544	DECAL	1
3-2	6120152	SOCKET RETAINER	1	22	6360205	INSULATOR	2
4	6080711	HAMMER	1	23	6390109	BACK CAP WASHER	1
4-1	6190164	HAMMER	1	24	6801250	BACK CAP	1
4-2	6180225	COMPRESSION SPRING	1	25	6760101	BEARING	1
4-3	6220157	THRUST BEARING	1	26	6130183	BUTTON SCREW M8X20	1
4-4	6290055	STEEL BALL 5/32"	18	27	6913178	NAME PLATE	1
4-5	6290087	STEEL BALL 1/4"	1	28	6120005	RIVET #2	2
4-6	6050104	PLANET GEAR	2	29	9060420	TAPPING SCREW (B) M4X20	2
4-7	6120153	PLANET GEAR SHAFT	2	30	9600400	TOOTHED LOCK WASHER M4	2
5	6080794	SEPARATOR	1	31	6921231	"RYOBI" MARK	1
5-1	6900471	SLEEVE BUSHING	1	32	6360208	INSULATOR	1
6	6900469	SPACER	1	33	6080712	SWITCH HANDLE	1
7	6031549	ARMATURE	1	34	9000516	PHILLIPS PAN SCREW M5X16	1
8	6900468	WASHER	1	35	9000418	PHILLIPS PAN SCREW M4X18	2
9	9060555	TAPPING SCREW (B) M5X55	2	36	6590229	CORD HOLDER	1
10	9550500	SPRING WASHER M5	2	37	6520277	CORD ASSY AWG#18X2X2.5	1
11	6490277	BAFFLE	1	38	6590228	CORD CLAMP	1
12	6900470	SPACER	2	39	9000310	PHILLIPS PAN SCREW M3X10	2
	6501310	FIELD COIL	1	40	9000520	PHILLIPS PAN SCREW M5X20	1
	6590230	INSULATING SLEEVE	1	43	6550164	TRIGGER SWITCH	1
15	6360207	FRAME INSULATOR	1	44	9000520	PHILLIPS PAN SCREW M5X20	1
16	6080661	BRUSH HOLDER RING	1	45	6130488	NUT	2
16-1	9160310	FLAT TAPPING SCREW (B) M3X10	4	46	9000516	PHILLIPS PAN SCREW M5X16	1
16-2	6080485	SUPPORT COVER	1	--	6560002	CONNECTOR	2
16-3	6360206	SUPPORT	1	--	6560072	FASTEN SLEEVE	2
17	6540963	CARBON BRUSH SET	1	--	9674320	LEAD WIRE	1
18	6570085	BRUSH CAP	2				

SERVICE NOTES:

